

US00D946949S

(12) **United States Design Patent**  
**Pomputius**

(10) **Patent No.:** **US D946,949 S**  
(45) **Date of Patent:** **\*\* Mar. 29, 2022**

(54) **TABLE**

(71) Applicant: **JOHN POMP STUDIOS, INC.**,  
Philadelphia, PA (US)

(72) Inventor: **John Pomputius**, Philadelphia, PA (US)

(73) Assignee: **JOHN POMP STUDIOS, INC.**,  
Philadelphia, PA (US)

(\*\*) Term: **15 Years**

(21) Appl. No.: **29/721,039**

(22) Filed: **Jan. 17, 2020**

(51) **LOC (13) Cl.** ..... **06-03**

(52) **U.S. Cl.**  
USPC ..... **D6/696.2; D6/696.7**

(58) **Field of Classification Search**  
USPC ... D6/685, 686, 690, 691, 691.1–691.9, 696,  
D6/696.1–696.7  
CPC ..... A47B 7/00; A47B 13/00; A47B 13/02;  
A47B 13/023; A47B 13/004; A47B  
13/06; A47B 13/08; A47B 13/10; A47B  
13/12; A47B 17/00; A47B 21/00; A47B  
2200/0001; A47B 2200/0011; A47B  
2200/002

See application file for complete search history.

(56) **References Cited**

**U.S. PATENT DOCUMENTS**

D165,584 S	1/1952	Johnson	
3,106,901 A	10/1963	Locek	
D238,407 S *	1/1976	Owens	D6/690
D282,096 S *	1/1986	Levand	D21/783
D339,935 S	10/1993	Giugiaro	
D491,388 S	6/2004	Muller	
D527,929 S	9/2006	Martin	
D737,607 S	9/2015	Luz et al.	

D742,148 S	11/2015	Fritz	
D749,882 S	2/2016	Garcia	
D858,159 S	9/2019	Versace	
D891,839 S *	8/2020	Butler, Jr.	D6/696
D899,832 S *	10/2020	Pomputius	D6/696.7
D912,450 S *	3/2021	Pomputius	D6/696.7

**OTHER PUBLICATIONS**

John Pomp, Photos, <https://www.facebook.com/johnpomp/photos>,  
Jan. 4, 2019, p. 1.

John Pomp, Photos, <https://www.facebook.com/johnpomp/photos>,  
Oct. 26, 2018, p. 1.

(Continued)

*Primary Examiner* — Mary Ann Calabrese

(74) *Attorney, Agent, or Firm* — Gottlieb, Rackman &  
Reisman, P.C.

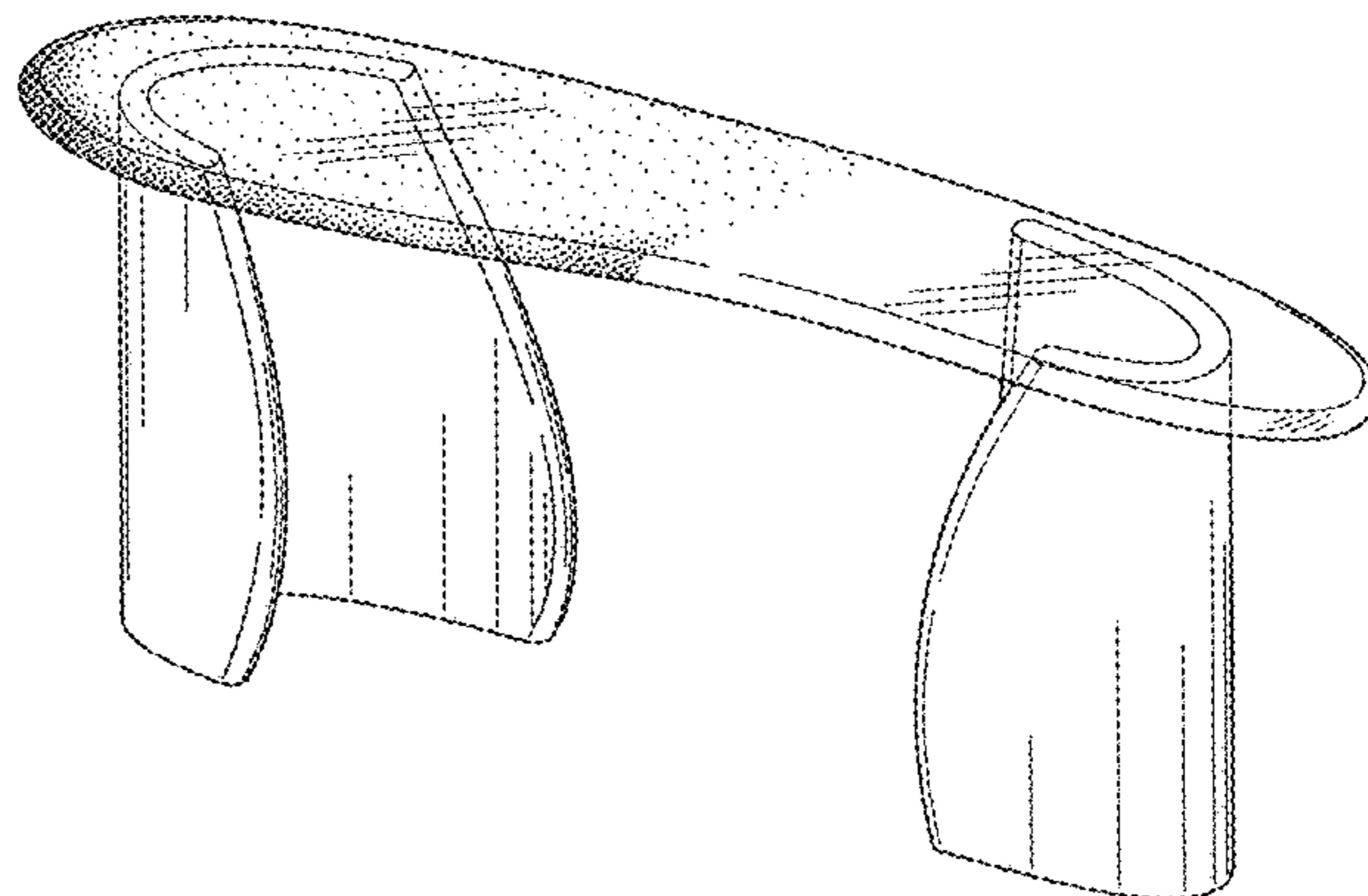
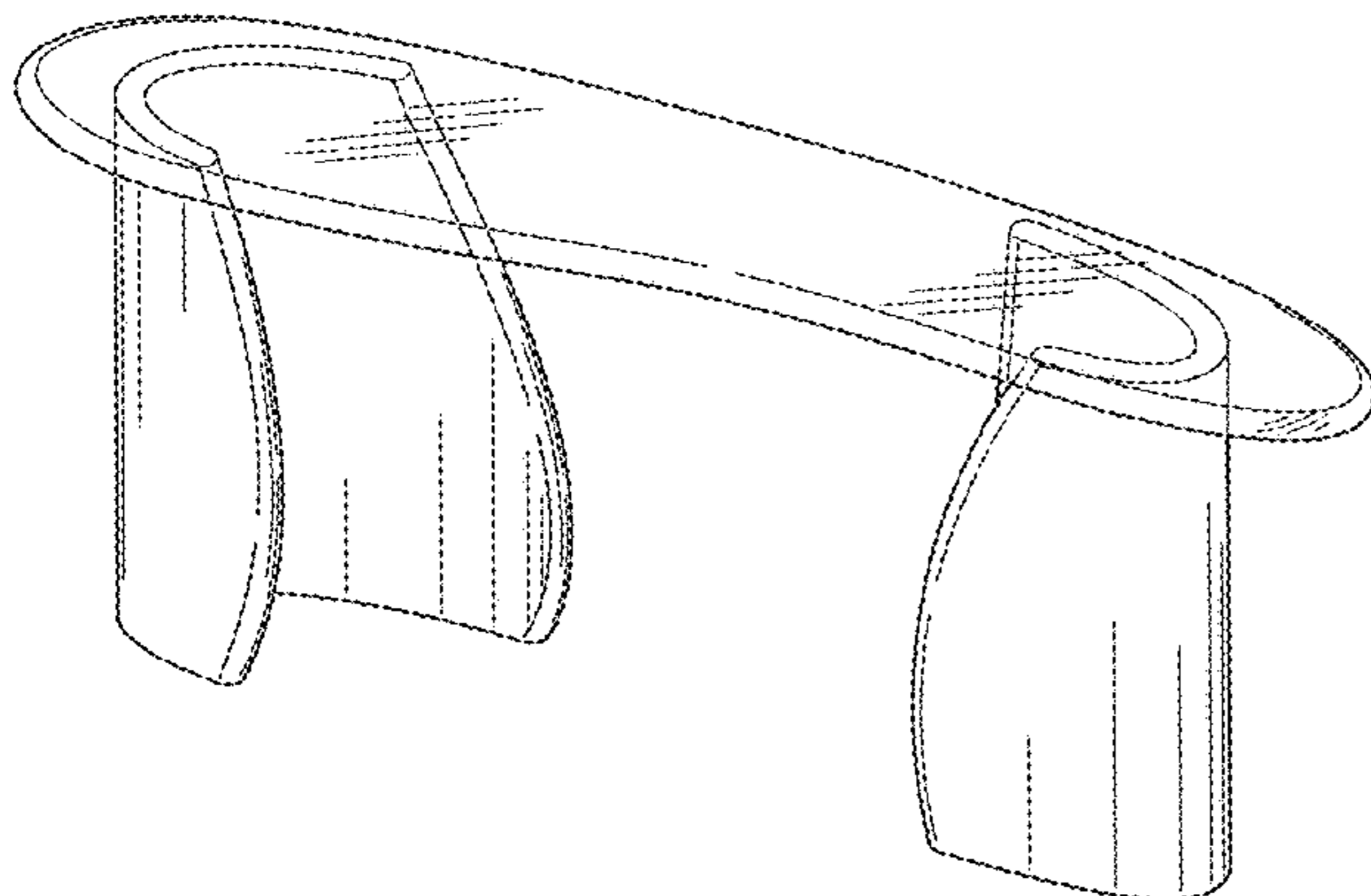
(57) **CLAIM**

The ornamental design for a table, as shown and described.

**DESCRIPTION**

FIG. 1 is a front perspective view according to a first embodiment of a table showing my new design;  
FIG. 2 is a front view thereof;  
FIG. 3 is a rear view thereof;  
FIG. 4 is a right side view thereof;  
FIG. 5 is a left side view thereof;  
FIG. 6 is a top view thereof; and  
FIG. 7 is a bottom view thereof.  
FIG. 8 is a front perspective view according to a second embodiment of a table showing my new design;  
FIG. 9 is a front view thereof;  
FIG. 10 is a rear view thereof;  
FIG. 11 is a right side view thereof;  
FIG. 12 is a left side view thereof;  
FIG. 13 is a top view thereof; and,  
FIG. 14 is a bottom view thereof.

**1 Claim, 8 Drawing Sheets**



(56)

**References Cited**

OTHER PUBLICATIONS

John Pomp, Photos, <https://www.facebook.com/johnpomp/photos>,  
May 18, 2018, pp. 1-3.

John Pomp, Photos, <https://www.facebook.com/johnpomp/photos>,  
Dec. 13, 2019, pp. 1-3.

\* cited by examiner

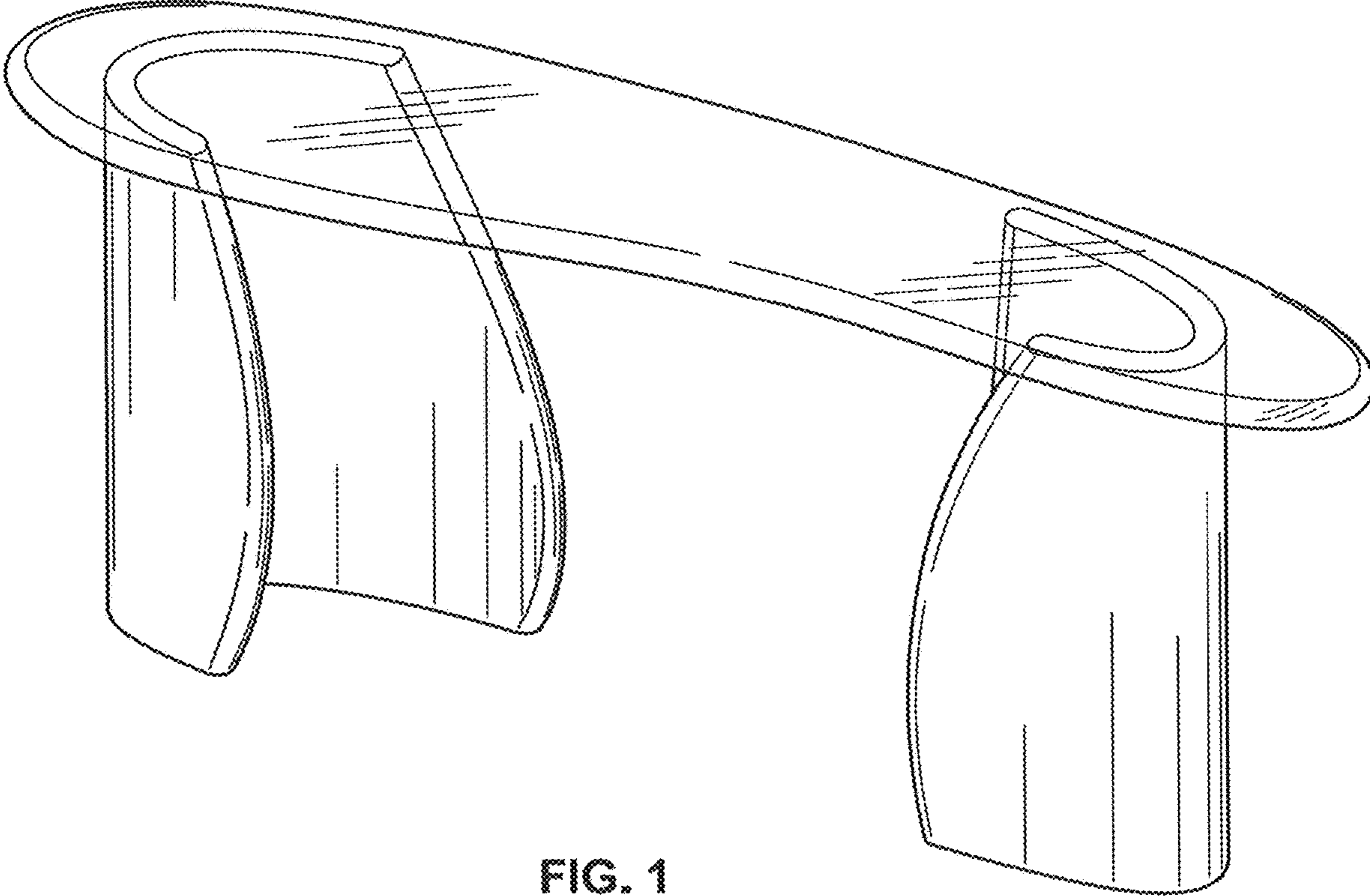


FIG. 1

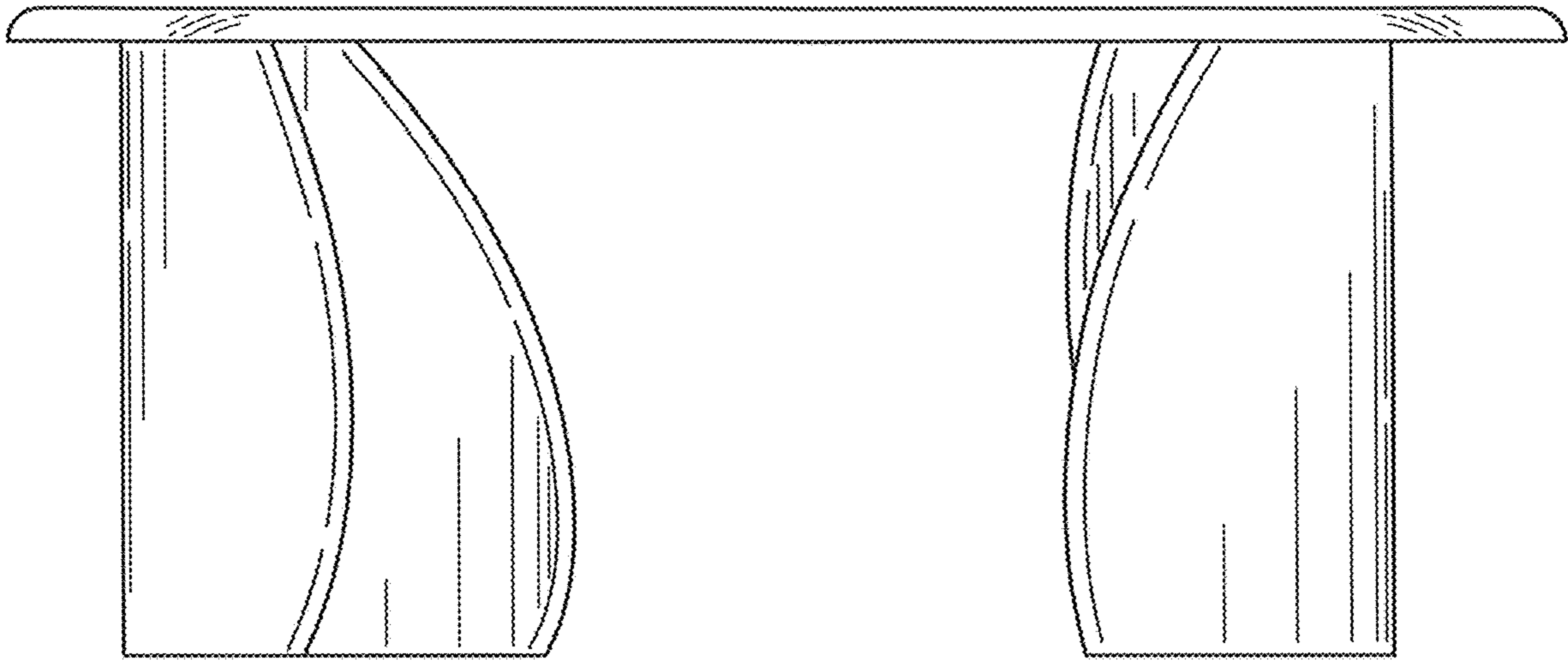


FIG. 2

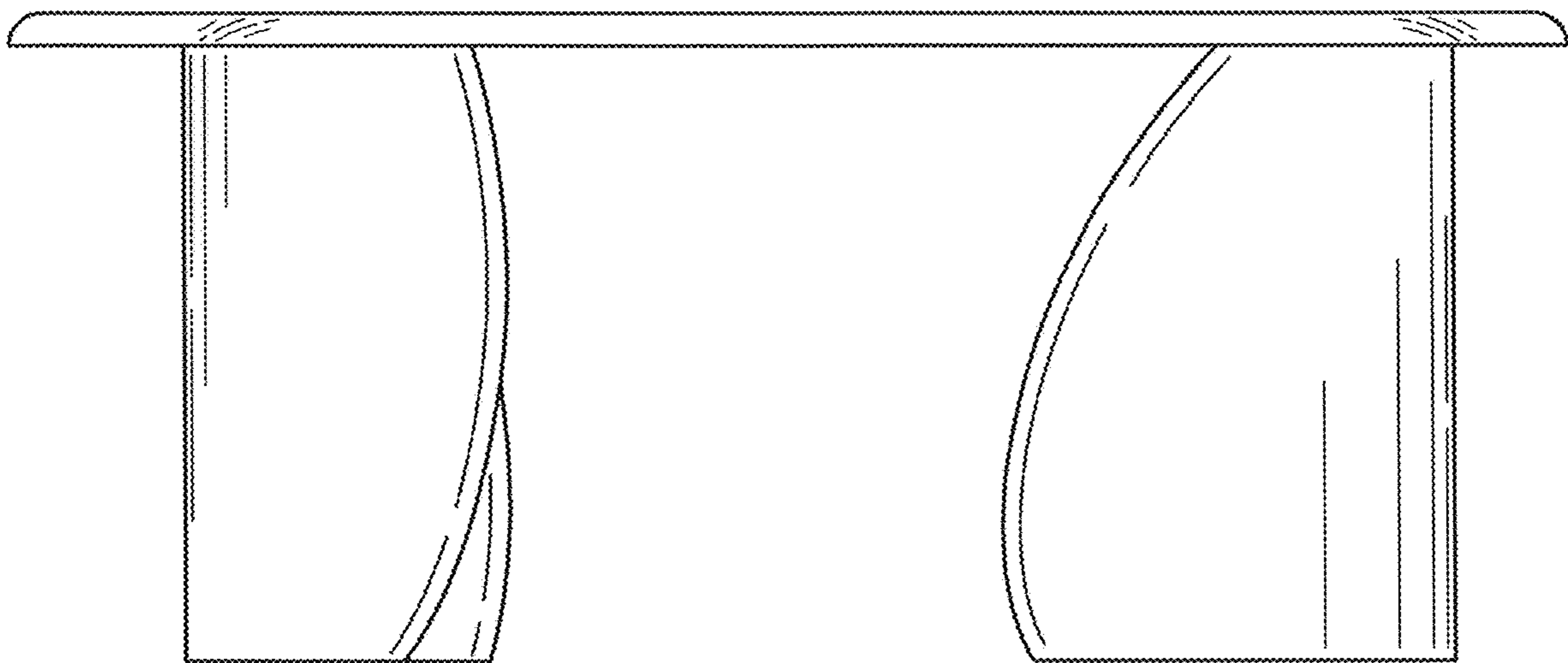


FIG. 3

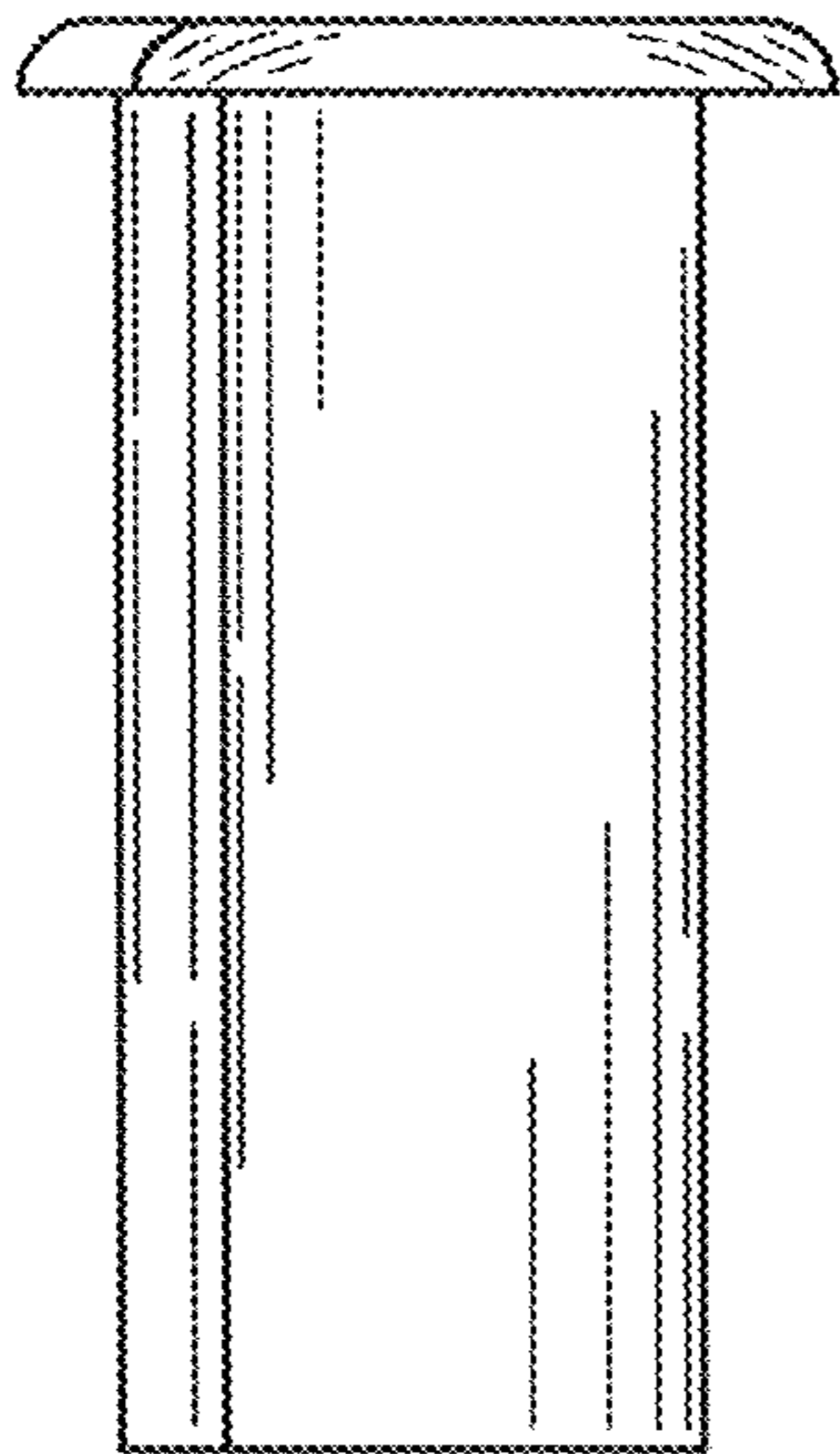


FIG. 4

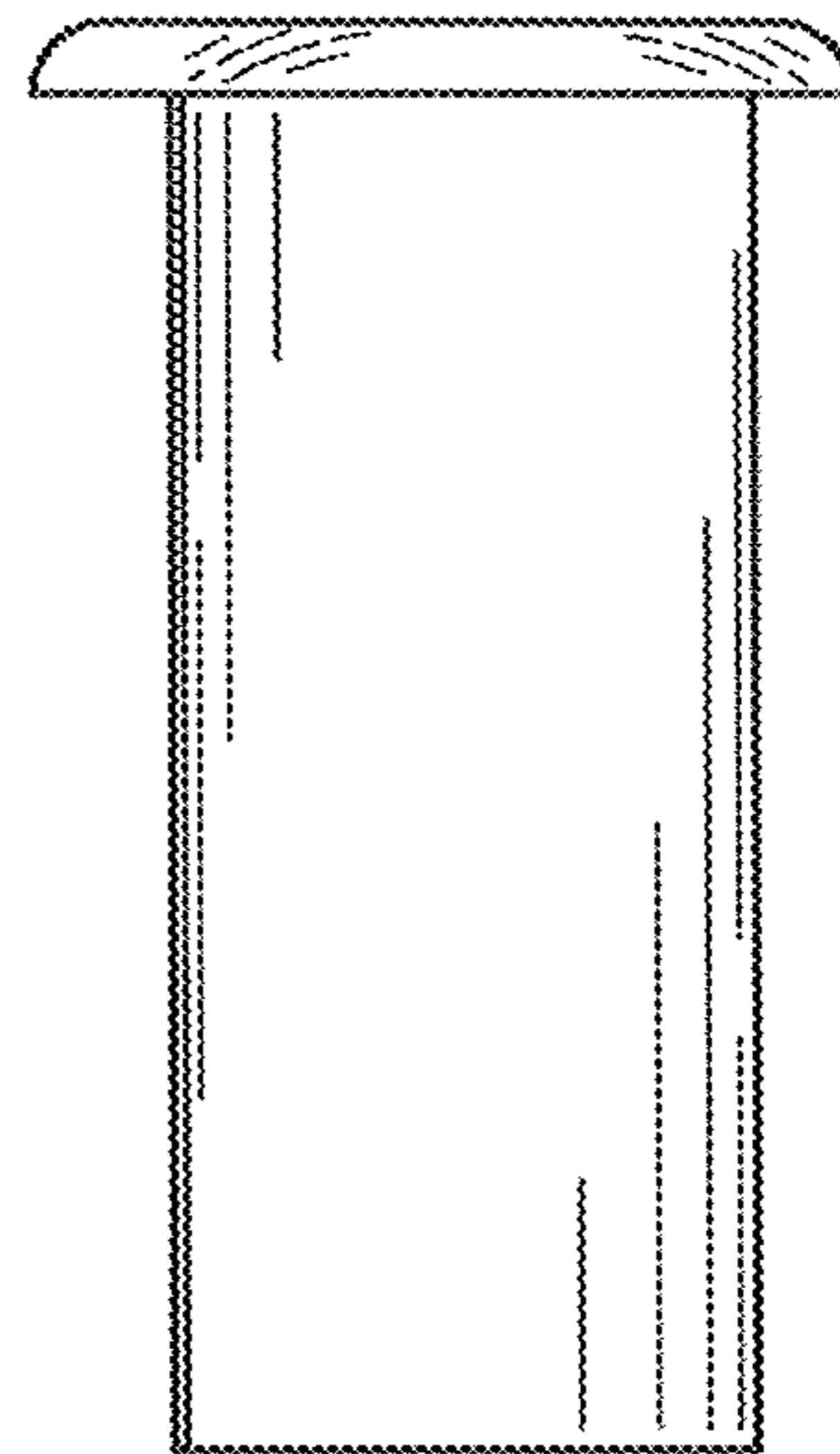


FIG. 5

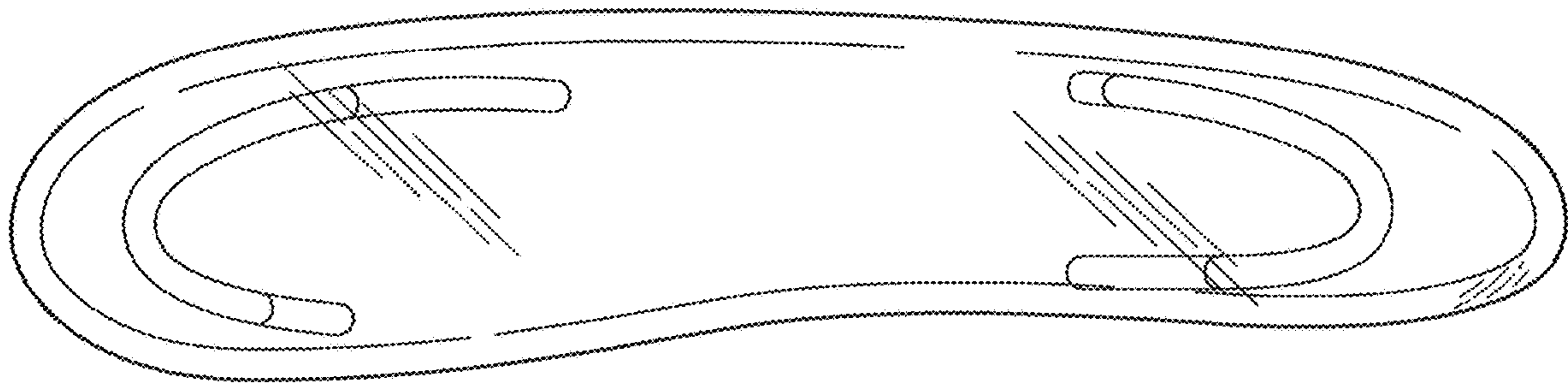


FIG. 6

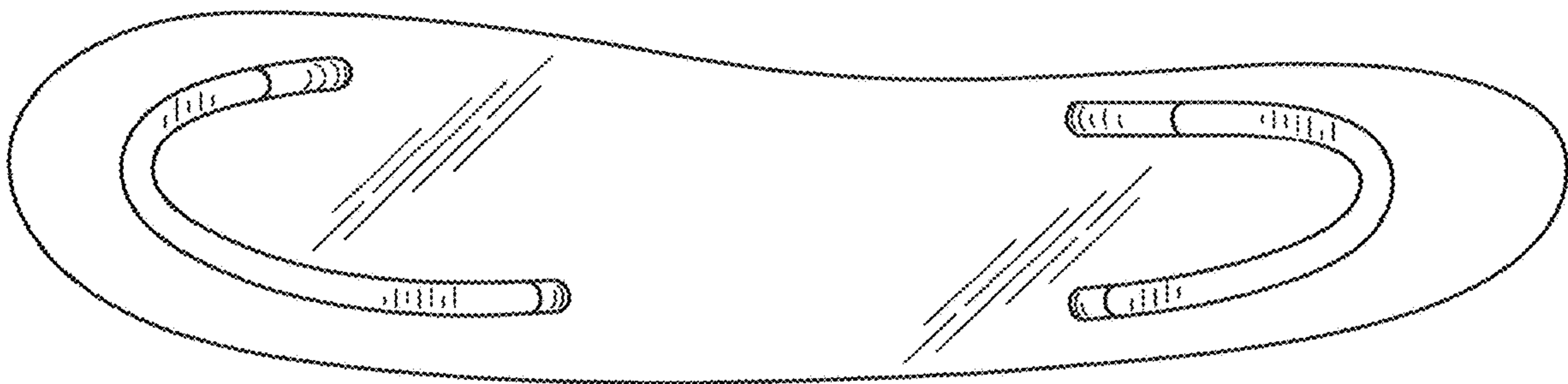


FIG. 7

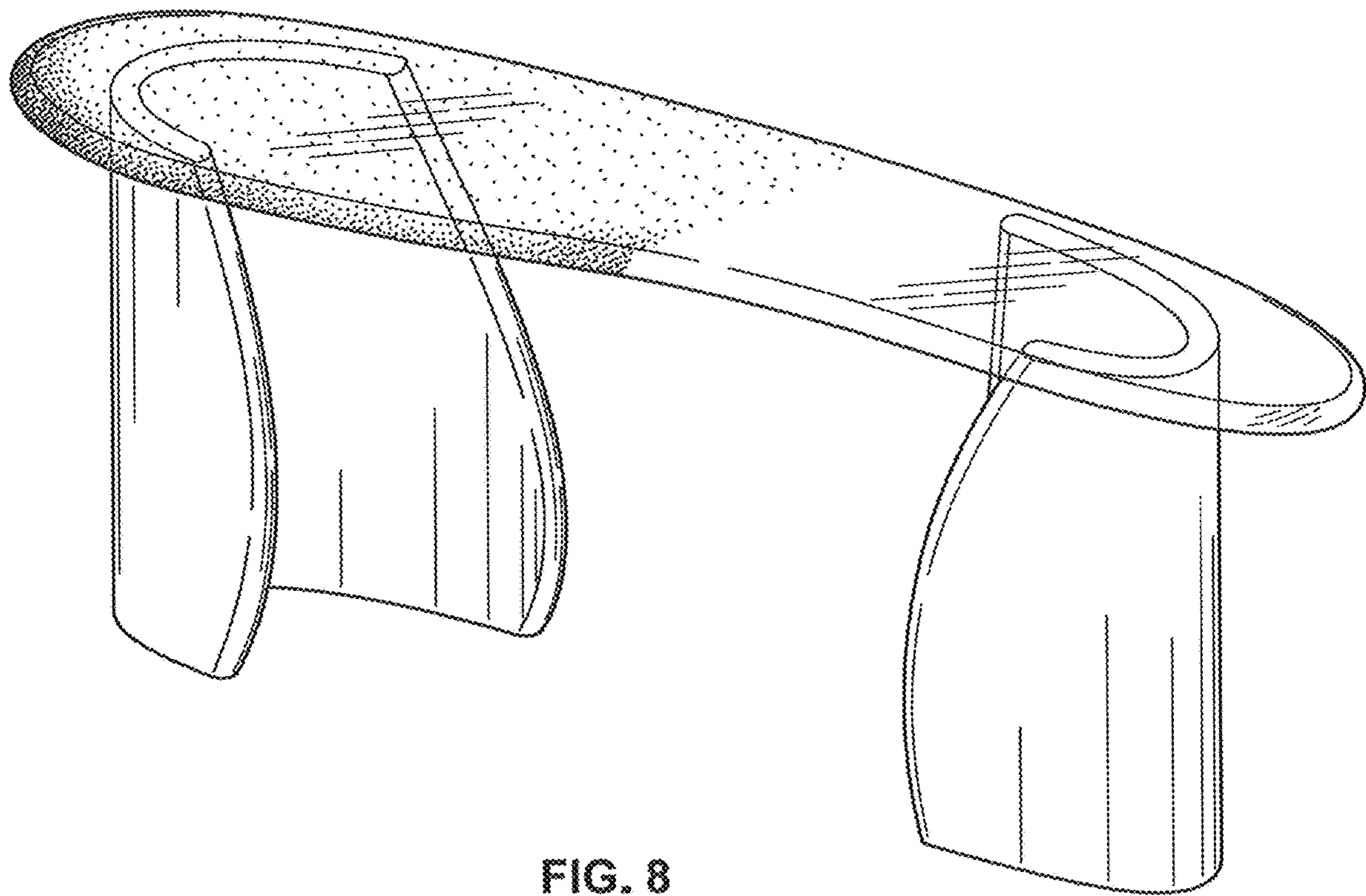


FIG. 8

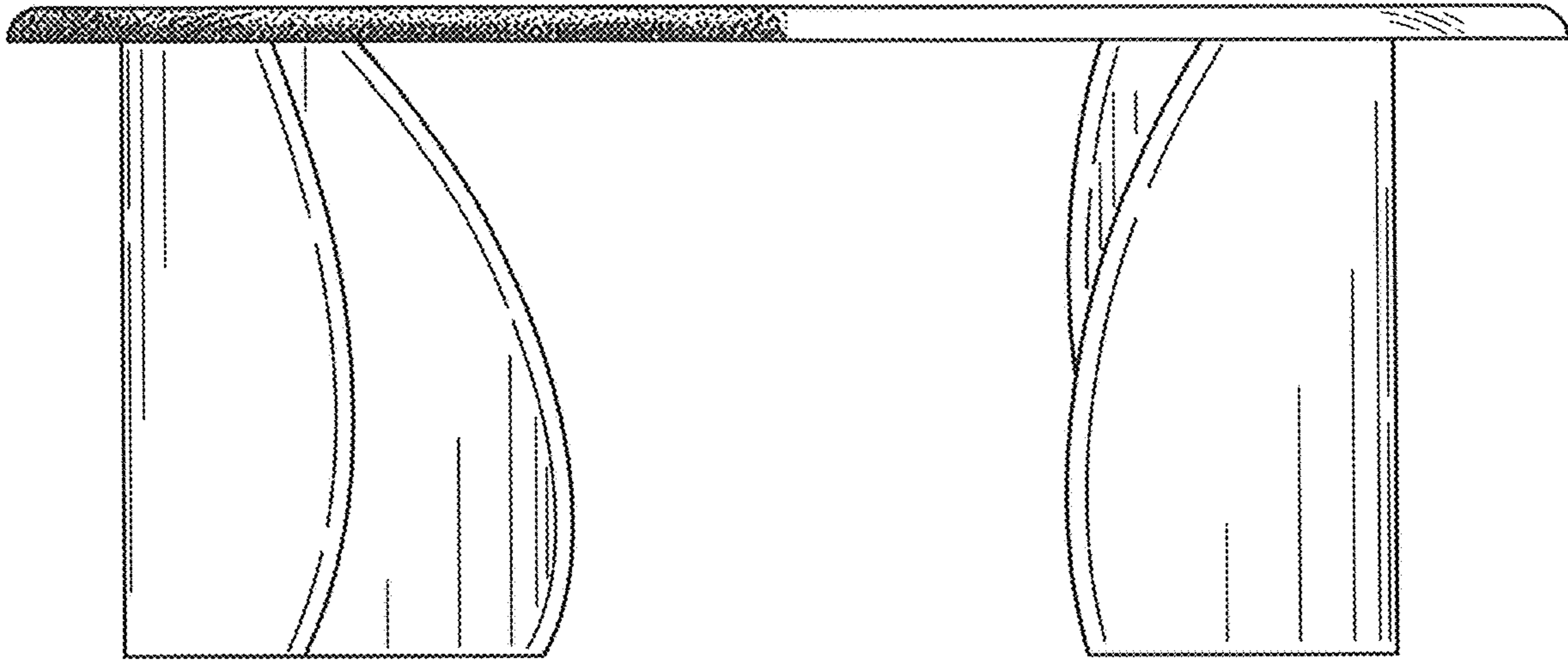


FIG. 9

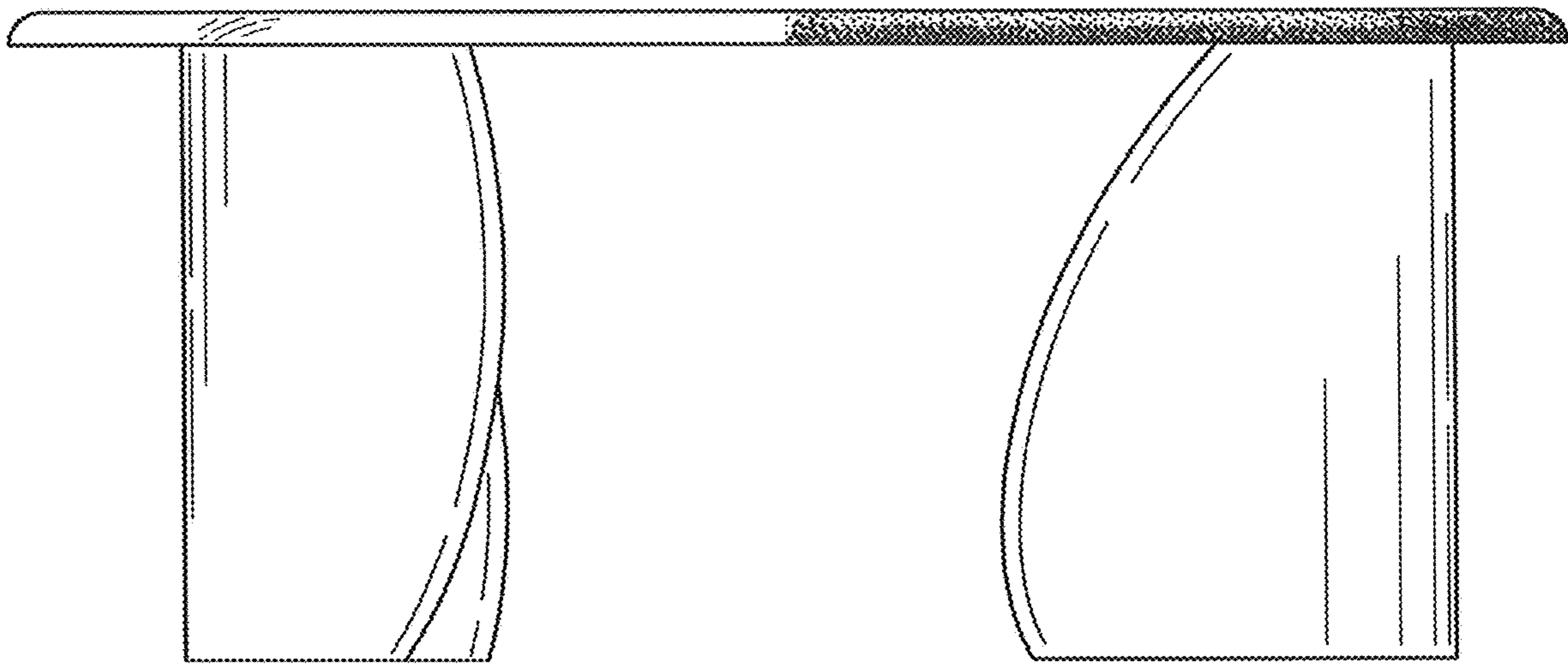


FIG. 10



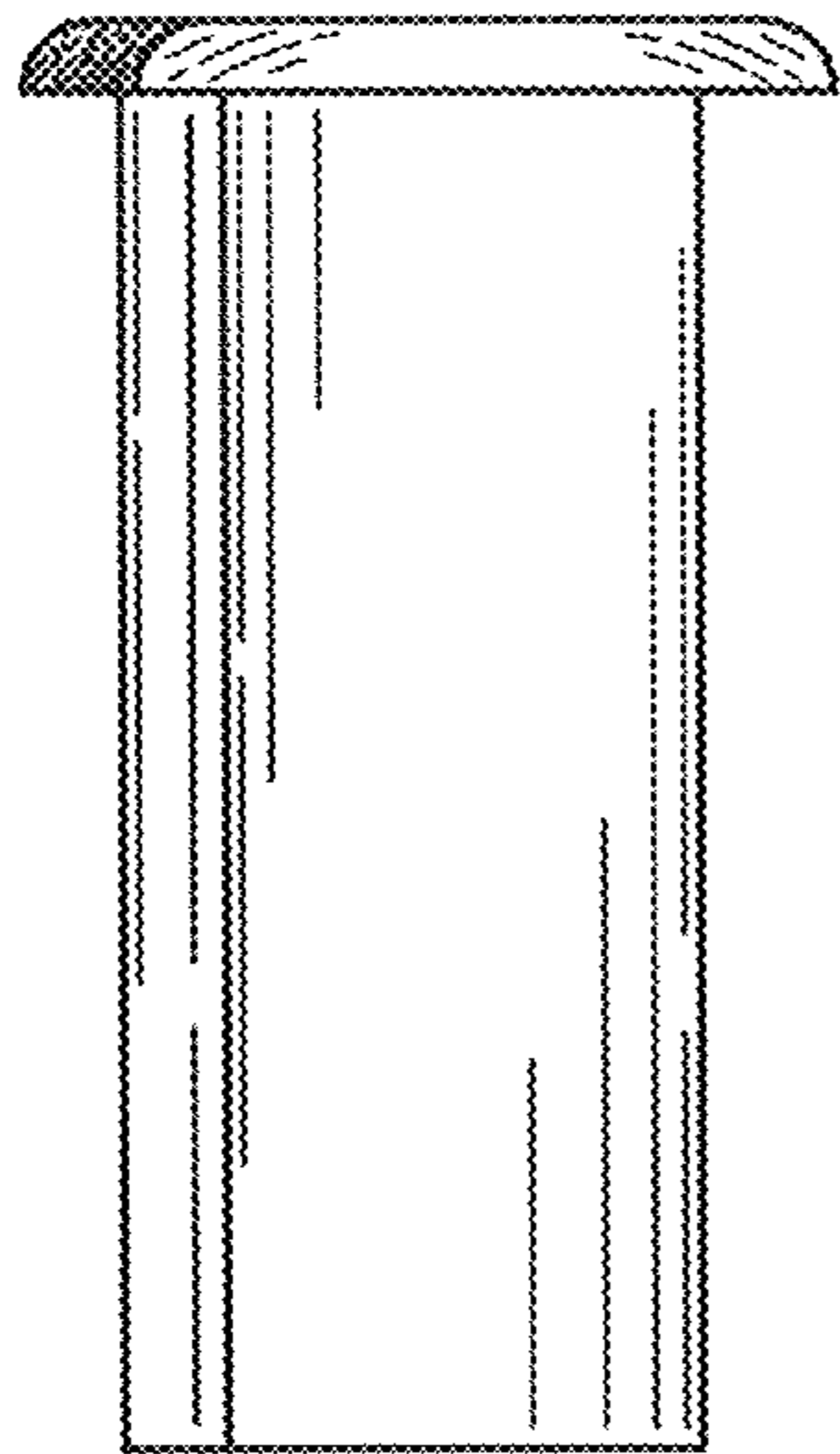


FIG. 11

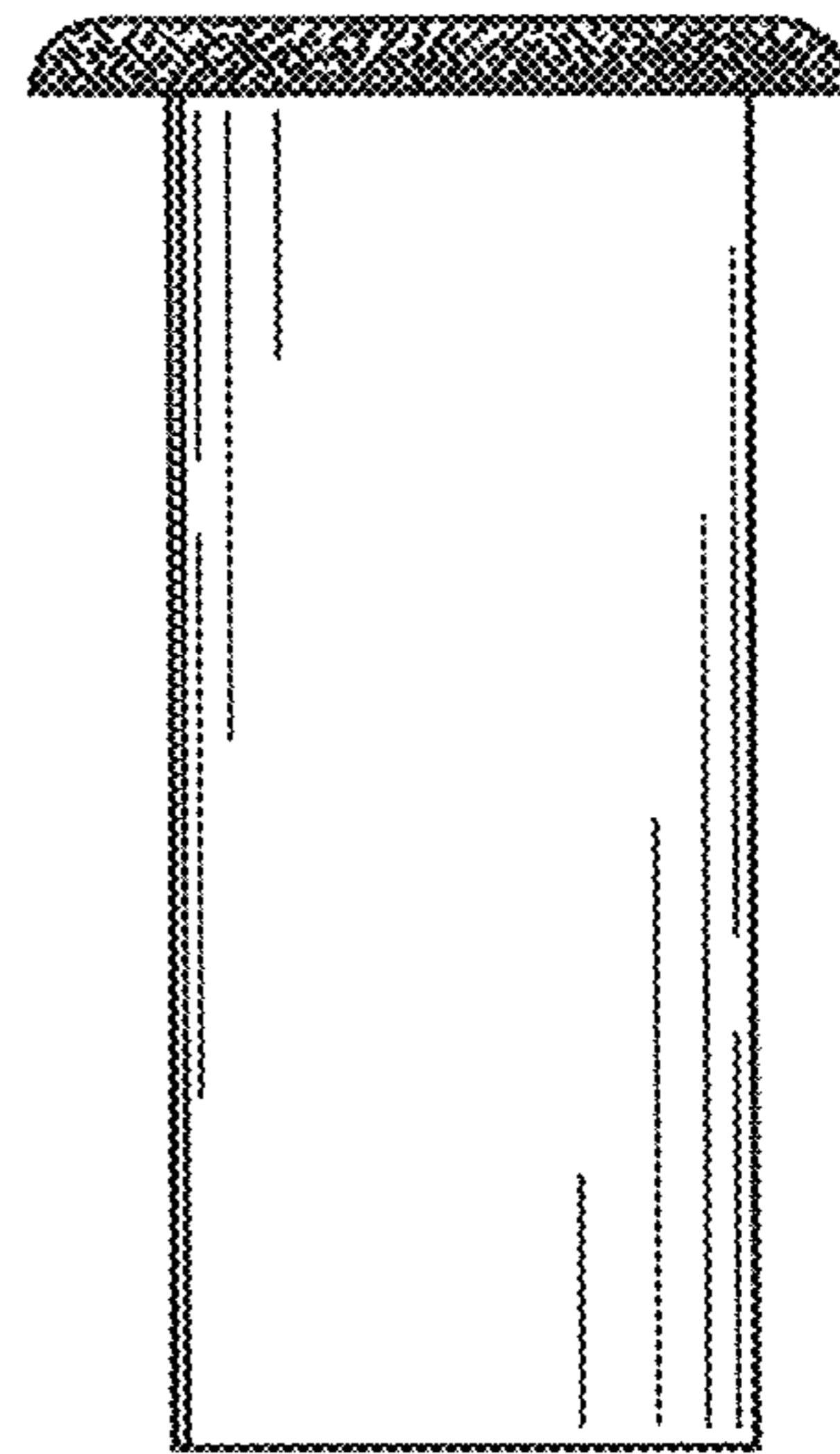


FIG. 12

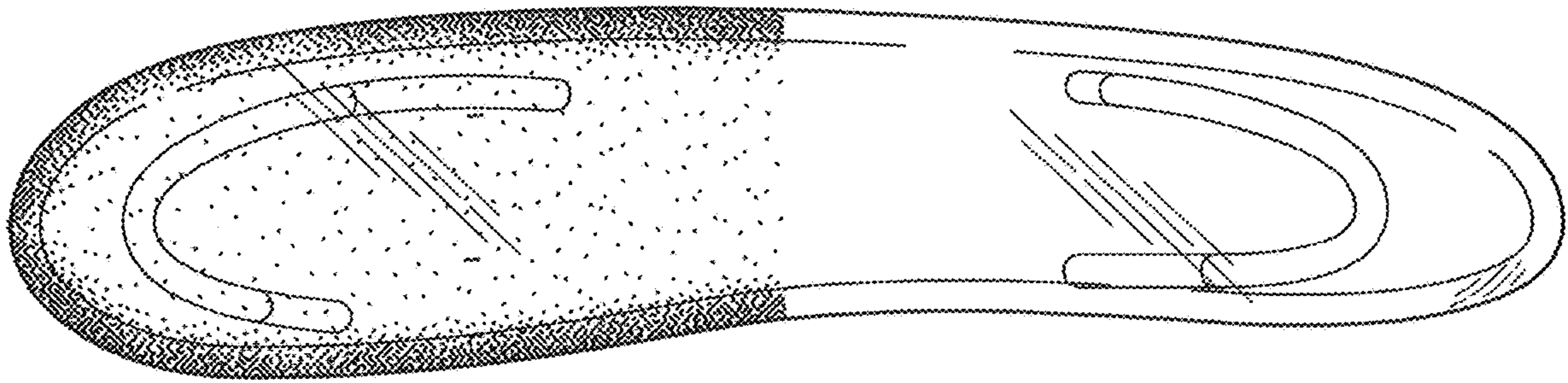


FIG. 13

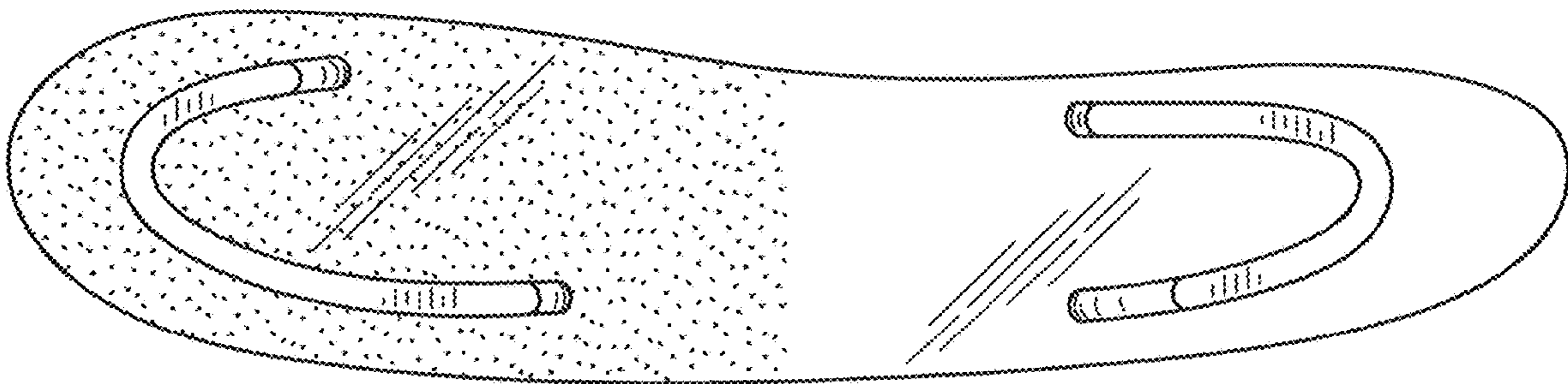


FIG. 14