



US00D946948S

(12) **United States Design Patent** (10) **Patent No.:** **US D946,948 S**  
**Florez et al.** (45) **Date of Patent:** **\*\* Mar. 29, 2022**

(54) **TABLE**

(71) Applicant: **Haworth, Inc.**, Holland, MI (US)  
(72) Inventors: **Carlos Manuel Martinez Florez**, New York, NY (US); **Juana Vasquez-Armstrong**, New York, NY (US); **Daniel Charles-Koch West**, Grand Rapids, MI (US); **Stephen Joseph Simpson**, Grand Rapids, MI (US); **Nicolai Czumaj-Bront**, Grand Rapids, MI (US); **Peng Zhan**, Grand Rapids, MI (US); **Craig William Brekke**, Rockford, MI (US)

(73) Assignee: **Haworth, Inc.**, Holland, MI (US)

(\*\*) Term: **15 Years**

(21) Appl. No.: **29/710,147**

(22) Filed: **Oct. 21, 2019**

(51) **LOC (13) Cl.** ..... **06-03**

(52) **U.S. Cl.**  
USPC ..... **D6/691.6**

(58) **Field of Classification Search**  
USPC ..... D6/349, 341, 342, 384-386, 691, D6/691.1-691.9, 702, 707.17, 707.19, D6/707.24, 708, 708.16  
CPC ..... A47B 7/00; A47B 13/00; A47B 13/02; A47B 13/04; A47B 13/06; A47B 13/08; A47B 13/10; A47B 13/12; A47B 21/00; A47B 2200/0001; A47B 2200/0011; A47B 2200/002

See application file for complete search history.

(56) **References Cited**

U.S. PATENT DOCUMENTS

D220,704 S *	5/1971	Kramer .....	D6/691.8
D244,076 S *	4/1977	Saltz .....	D6/691.1
D614,889 S *	5/2010	Van Duysen .....	D6/691.5
D797,479 S *	9/2017	Manea .....	D6/691
D862,952 S *	10/2019	Davis .....	D6/691
D919,316 S *	5/2021	Florez .....	D6/371

\* cited by examiner

*Primary Examiner* — Mary Ann Calabrese

(74) *Attorney, Agent, or Firm* — Warner Norcross + Judd LLP

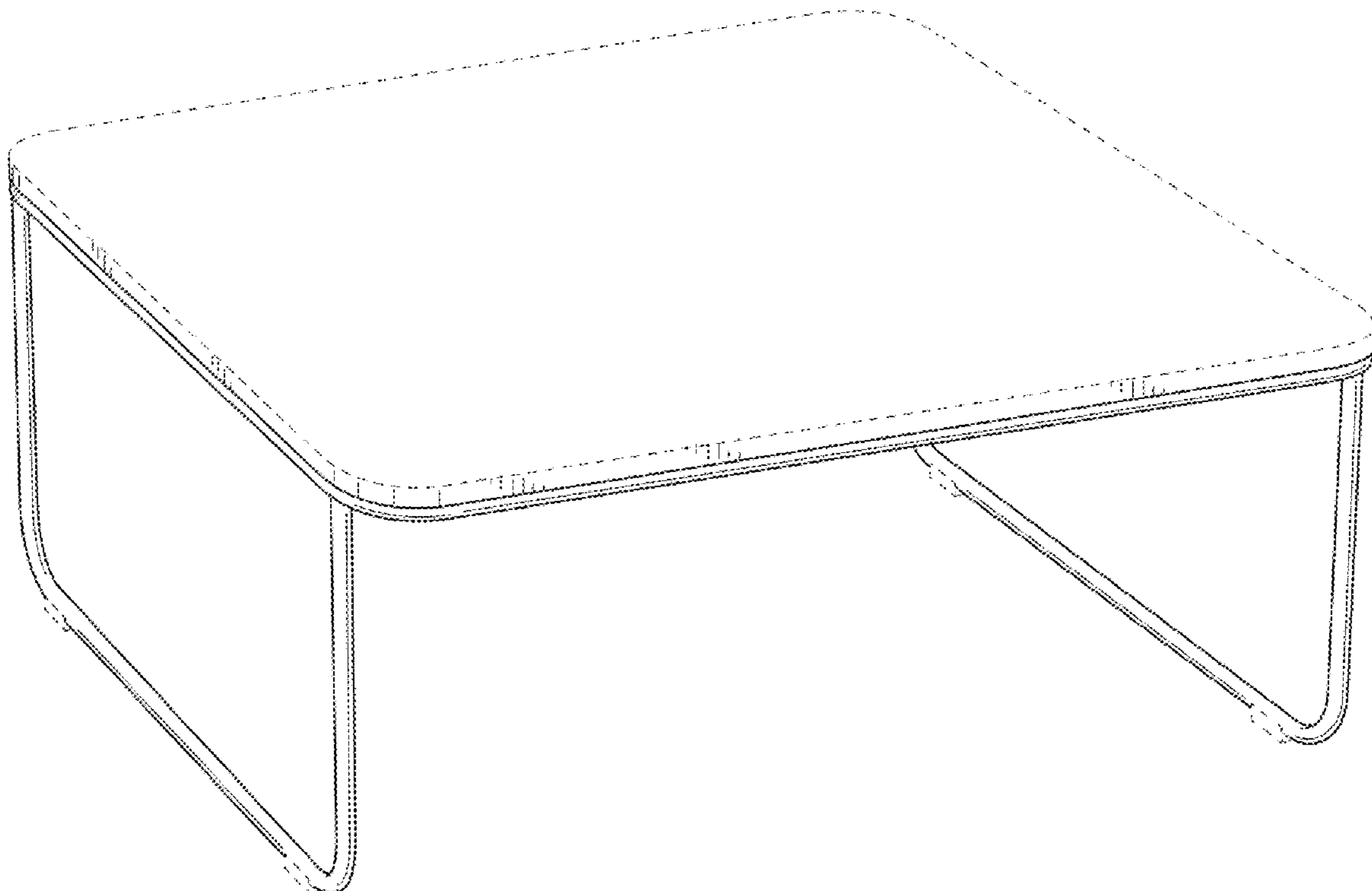
(57) **CLAIM**

The ornamental design for a table, as shown and described.

**DESCRIPTION**

FIG. 1 is a front perspective view of a table embodying the new design;  
FIG. 2 is a front view, the rear view being a mirror image thereof;  
FIG. 3 is a right side view, the left side being a mirror image thereof;  
FIG. 4 is a top view thereof; and,  
FIG. 5 is a bottom view thereof.  
In the drawings, the broken lines show portions of the table that form no part of the claimed design.

**1 Claim, 3 Drawing Sheets**



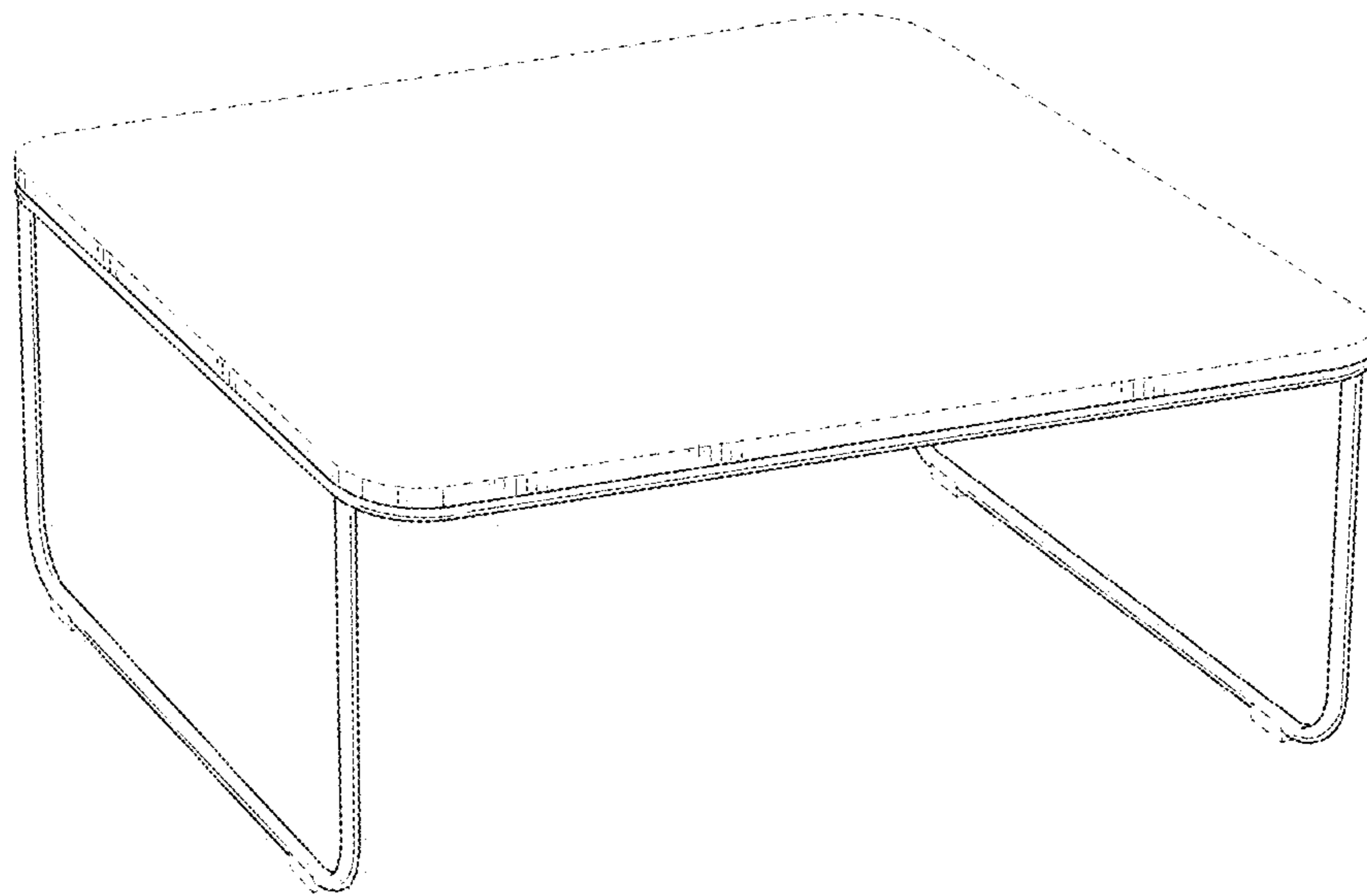


Fig. 1

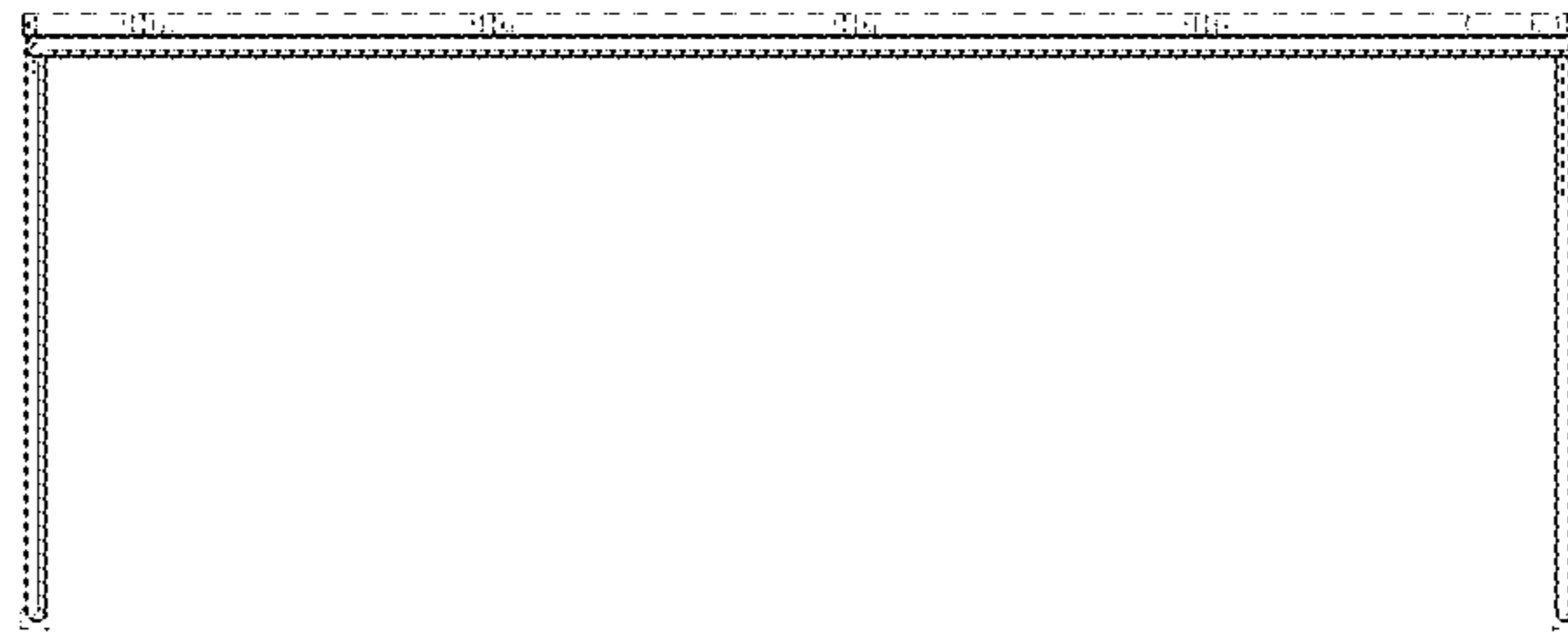


Fig. 2

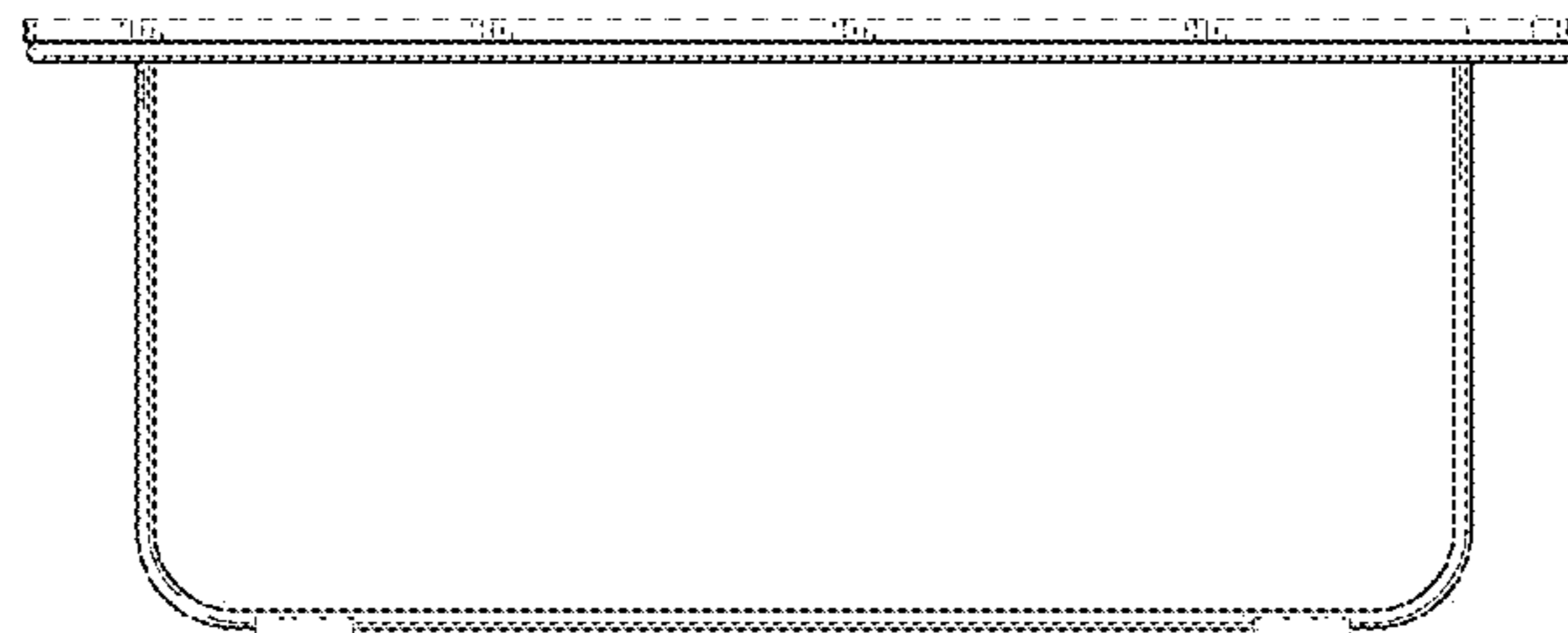


Fig. 3

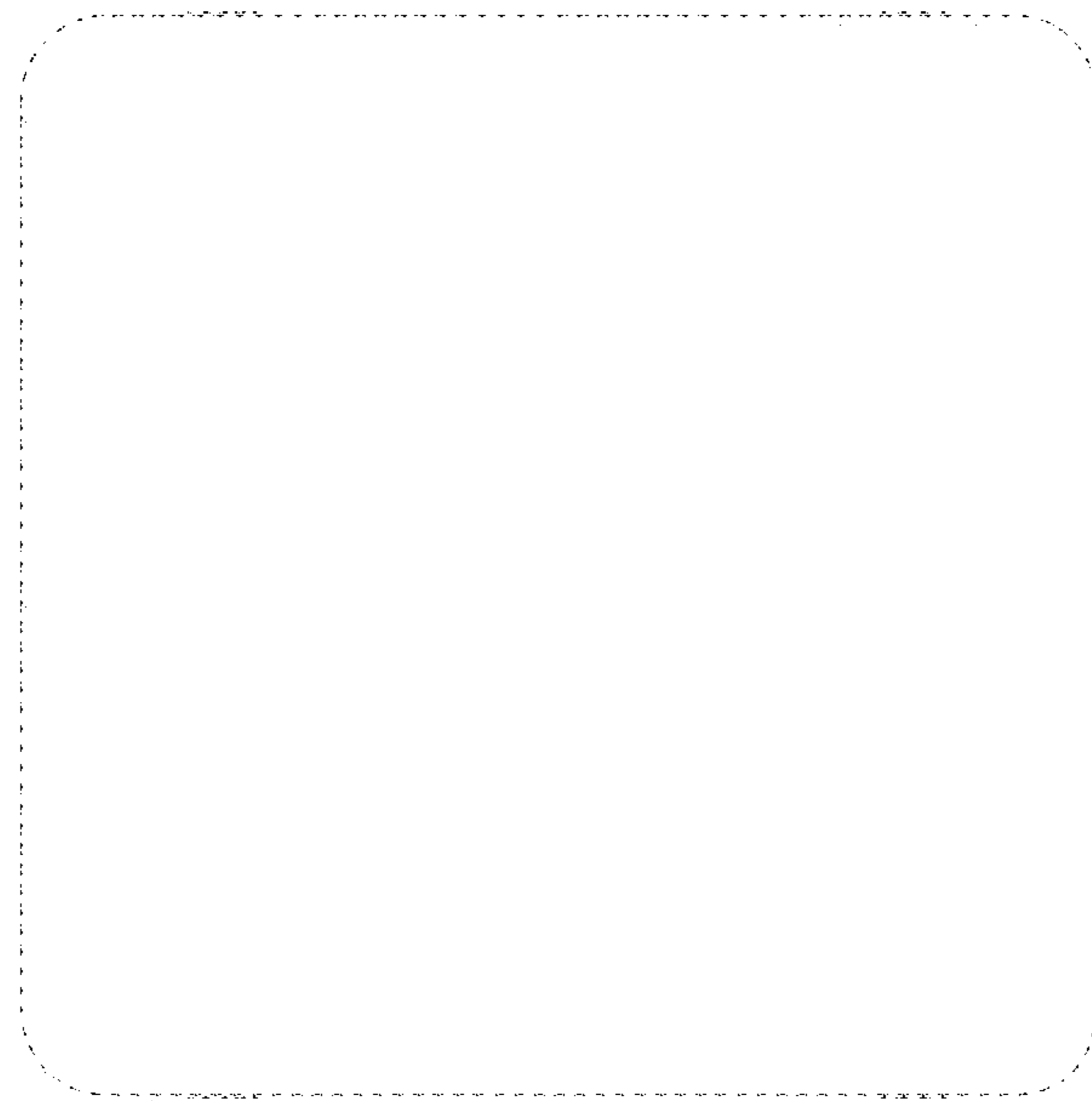


Fig. 4

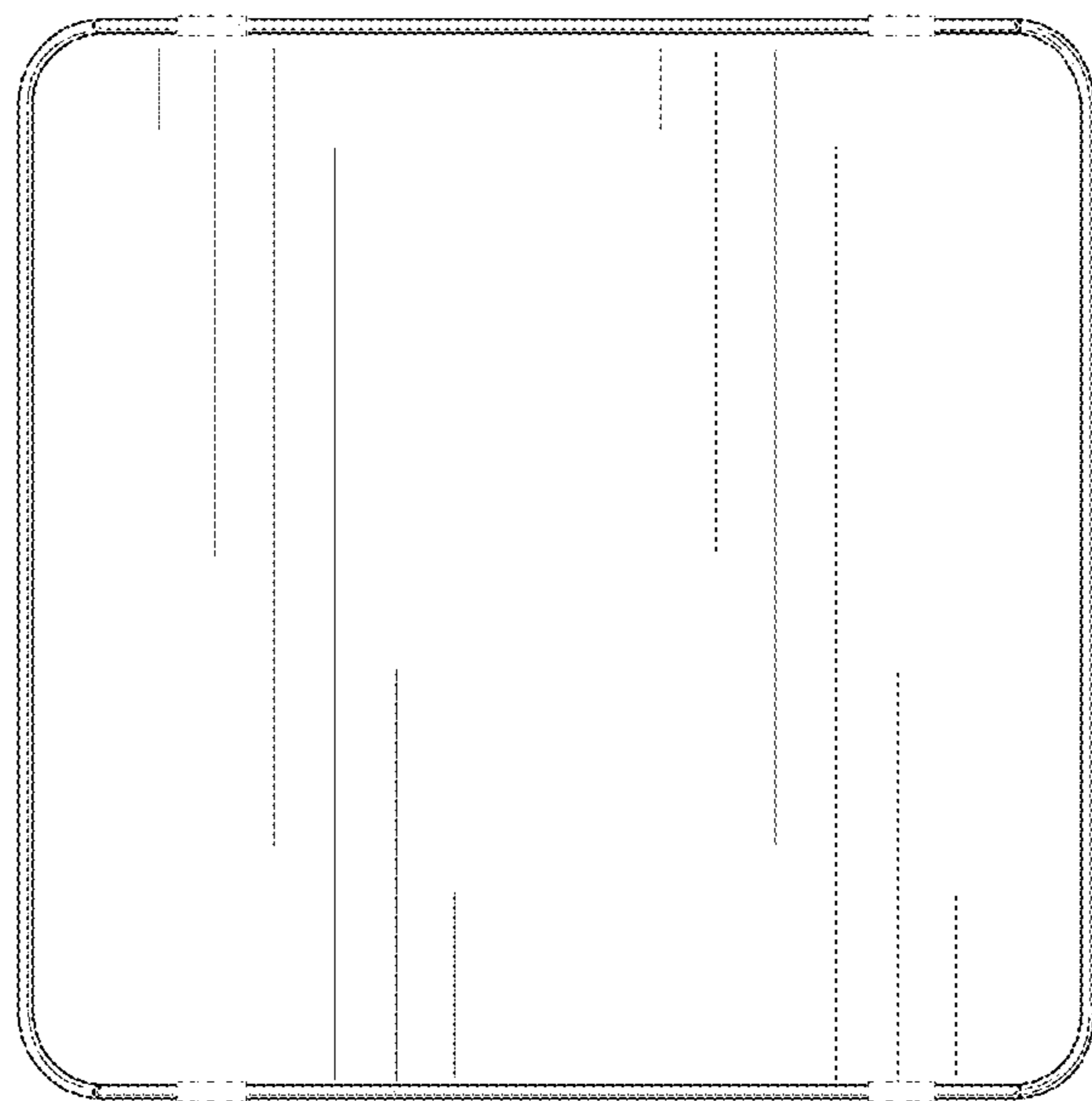


Fig. 5