

US00D946947S

(12) **United States Design Patent**
Pomputius

(10) **Patent No.:** **US D946,947 S**

(45) **Date of Patent:** **** Mar. 29, 2022**

(54) **TABLE**

(71) Applicant: **JOHN POMP STUDIOS, INC.,**
Philadelphia, PA (US)

(72) Inventor: **John Pomputius,** Philadelphia, PA (US)

(73) Assignee: **JOHN POMP STUDIOS, INC.,**
Philadelphia, PA (US)

(**) Term: **15 Years**

(21) Appl. No.: **29/727,712**

(22) Filed: **Mar. 12, 2020**

(51) **LOC (13) Cl.** **06-03**

(52) **U.S. Cl.**
USPC **D6/691**

(58) **Field of Classification Search**
USPC D6/685, 686, 690, 691, 691.1-691.9
CPC A47B 7/00; A47B 13/00; A47B 13/02;
A47B 13/023; A47B 13/004; A47B
13/06; A47B 13/08; A47B 13/10; A47B
13/12; A47B 17/00; A47B 21/00; A47B
2200/0001; A47B 2200/0011; A47B
2200/002

See application file for complete search history.

(56) **References Cited**

U.S. PATENT DOCUMENTS

D165,584 S	1/1952	Johnson	
3,106,901 A	10/1963	Locek	
D238,407 S	* 1/1976	Owens D6/690
D260,836 S	* 9/1981	de Polo D6/691.3
D339,935 S	10/1993	Giugiaro	
D491,388 S	6/2004	Muller	

D527,929 S	9/2006	Martin	
D737,607 S	9/2015	Luz et al.	
D742,148 S	11/2015	Fritz	
D749,882 S	2/2016	Garcia	
D858,159 S	9/2019	Versace	
D899,832 S	* 10/2020	Pomputius D6/696.7
D912,450 S	* 3/2021	Pomputius D6/696.7

* cited by examiner

Primary Examiner — Mary Ann Calabrese

(74) *Attorney, Agent, or Firm* — Gottlieb, Rackman & Reisman, P.C.

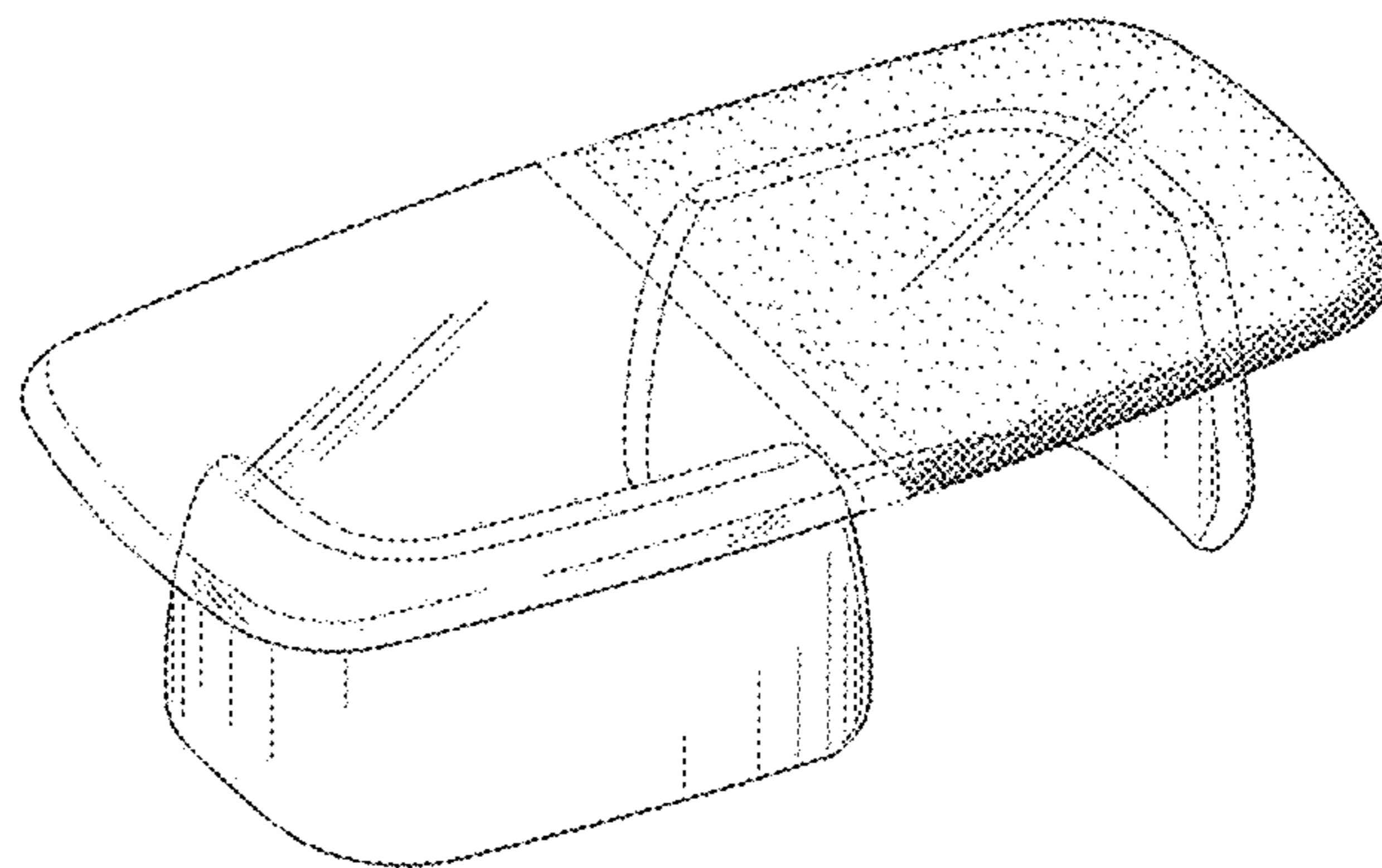
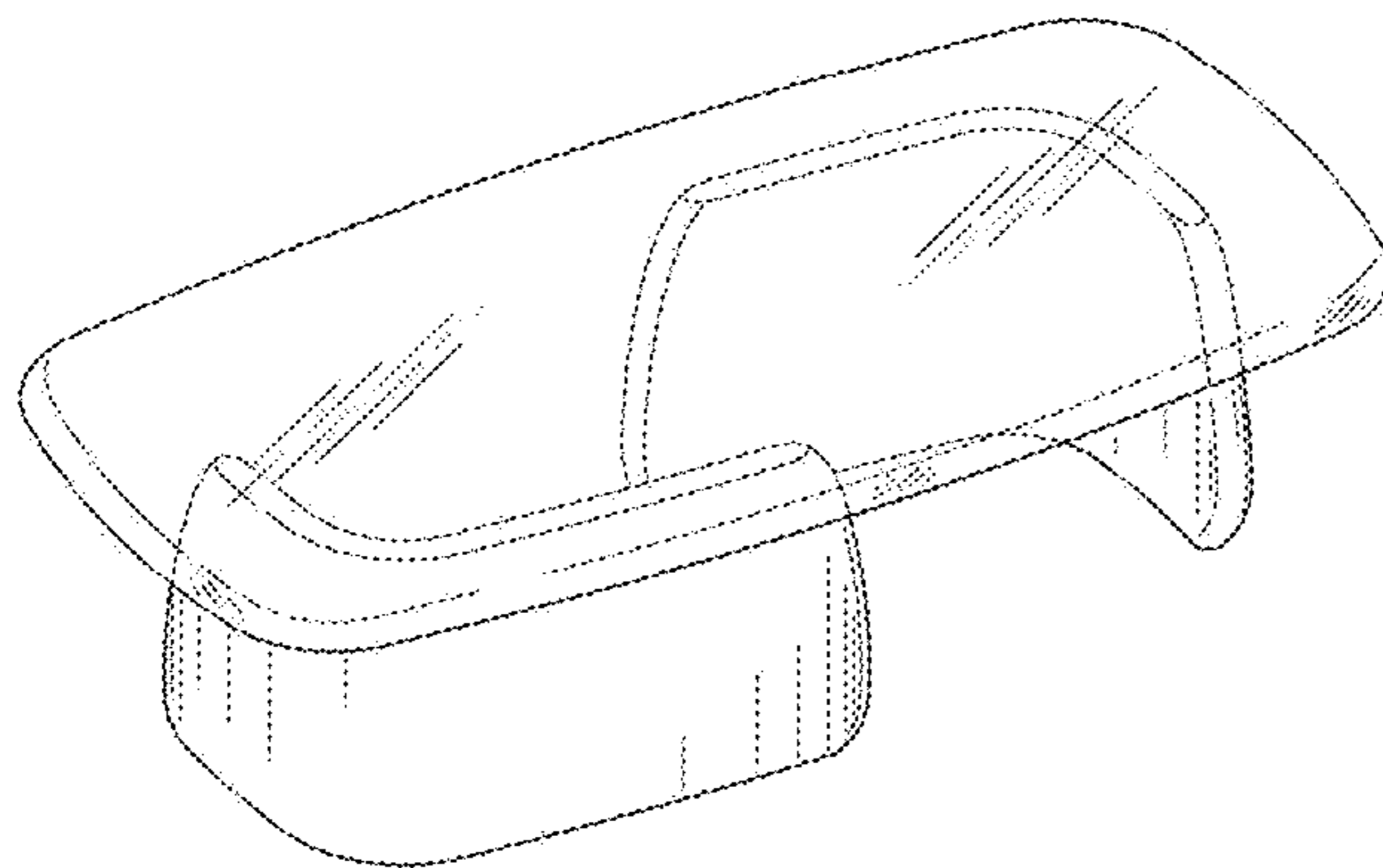
(57) **CLAIM**

The ornamental design for a table, as shown and described.

DESCRIPTION

FIG. 1 is a front perspective view according to a first embodiment of a table showing my new design;
 FIG. 2 is a front view thereof;
 FIG. 3 is a rear view thereof;
 FIG. 4 is a right side view thereof;
 FIG. 5 is a left side view thereof;
 FIG. 6 is a top view thereof; and
 FIG. 7 is a bottom view thereof
 FIG. 8 is a front perspective view according to a second embodiment of a table showing my new design;
 FIG. 9 is a front view thereof;
 FIG. 10 is a rear view thereof;
 FIG. 11 is a right side view thereof;
 FIG. 12 is a left side view thereof;
 FIG. 13 is a top view thereof; and,
 FIG. 14 is a bottom view thereof.
 The broken lines show portions of the table that form no part of the claimed design.

1 Claim, 8 Drawing Sheets



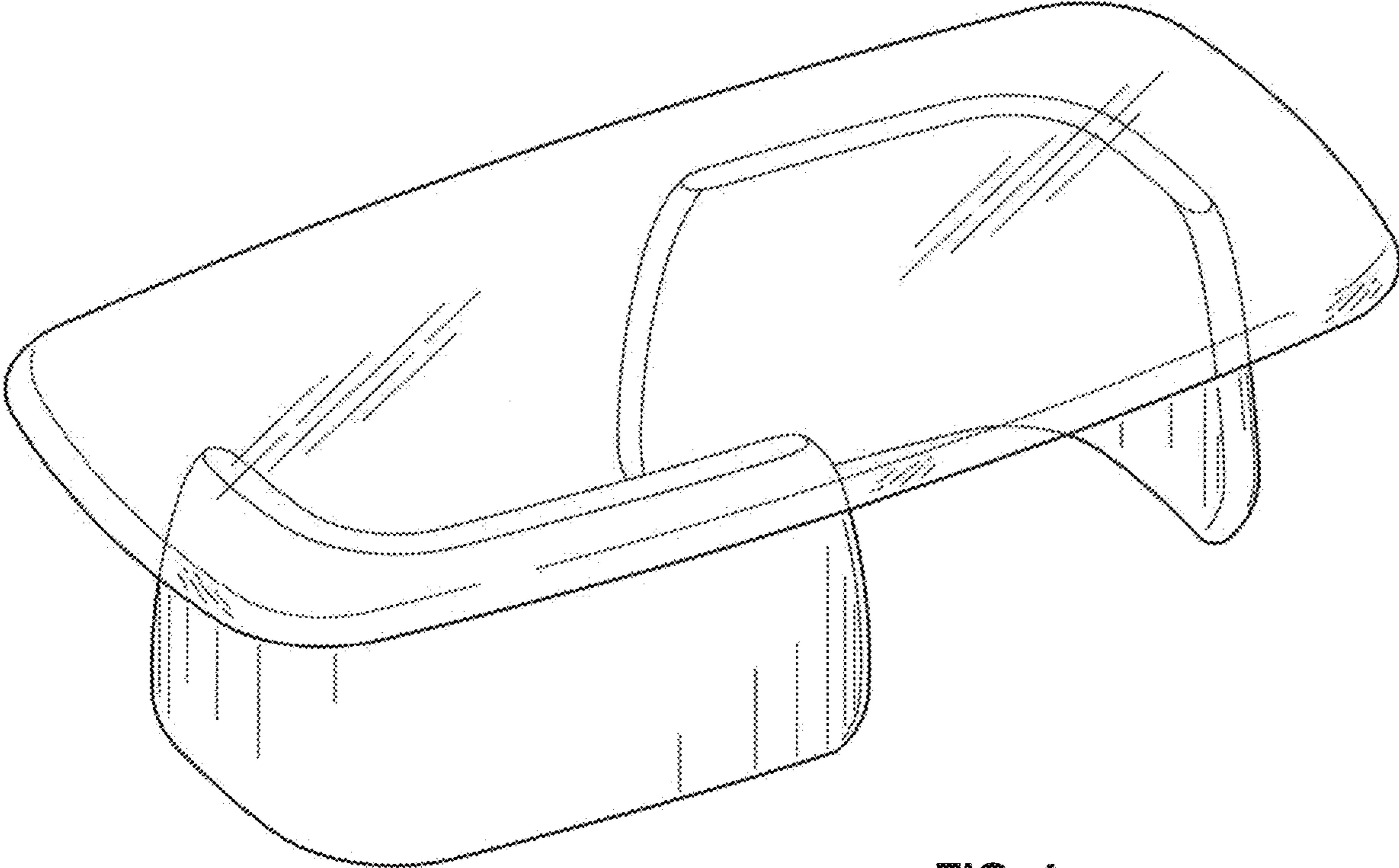


FIG. 1

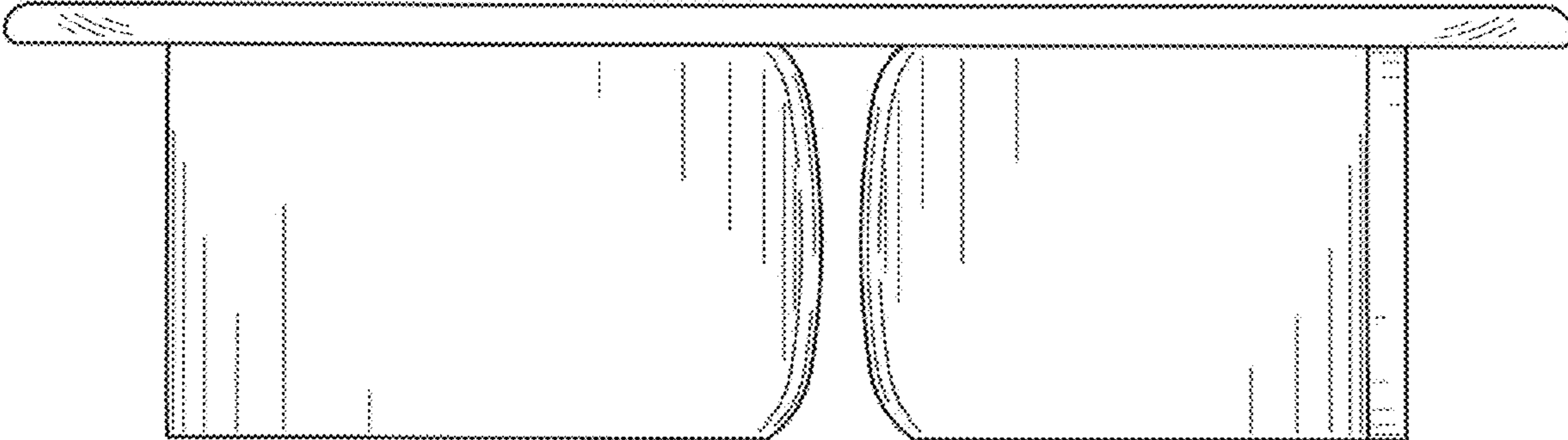


FIG. 2

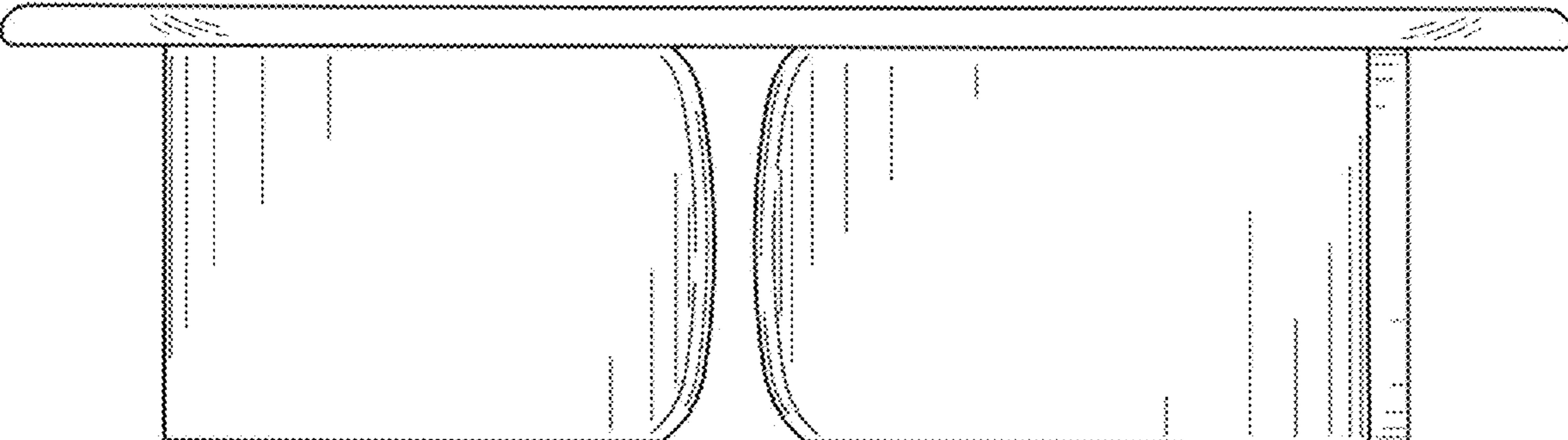


FIG. 3

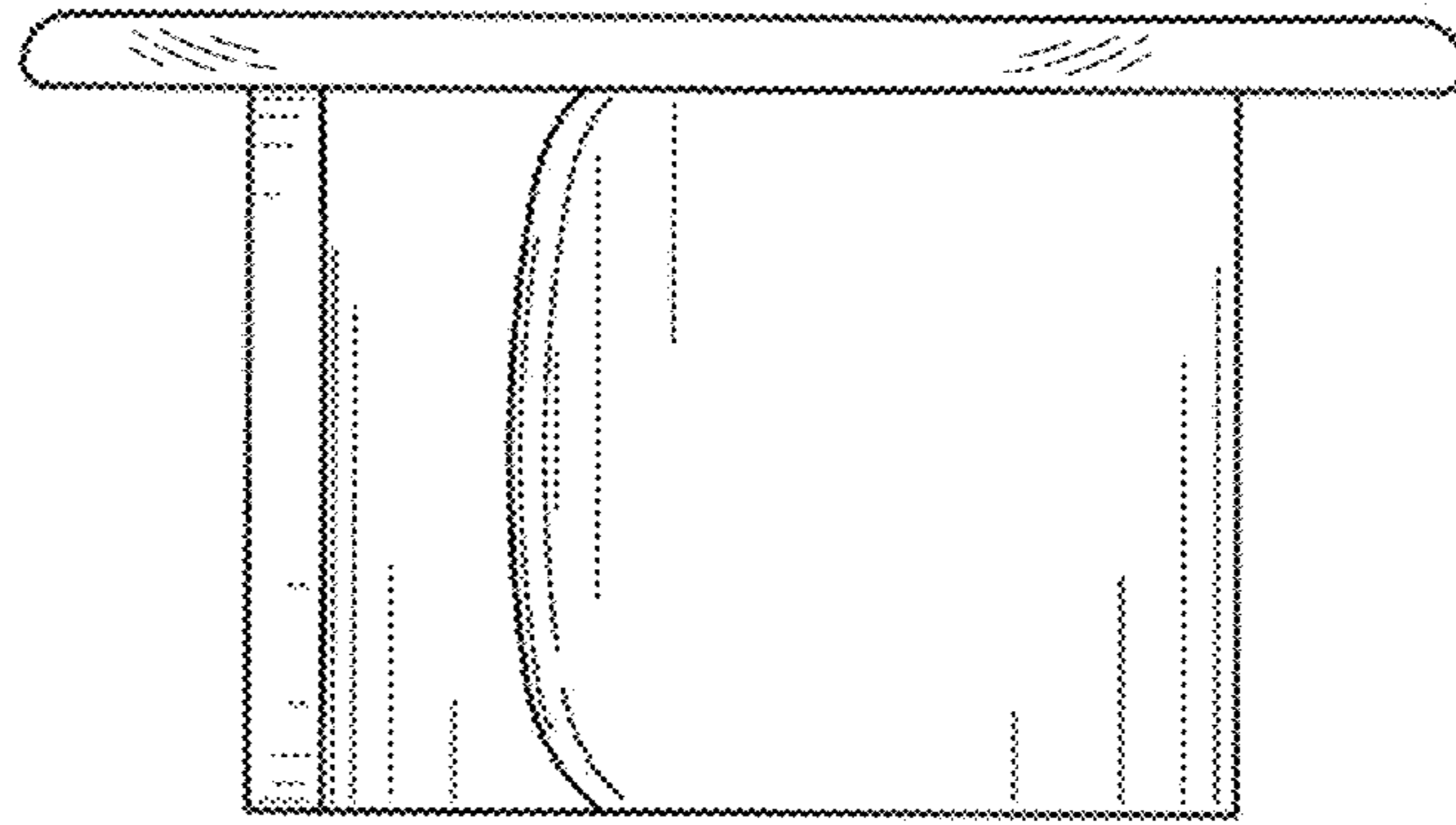


FIG. 4

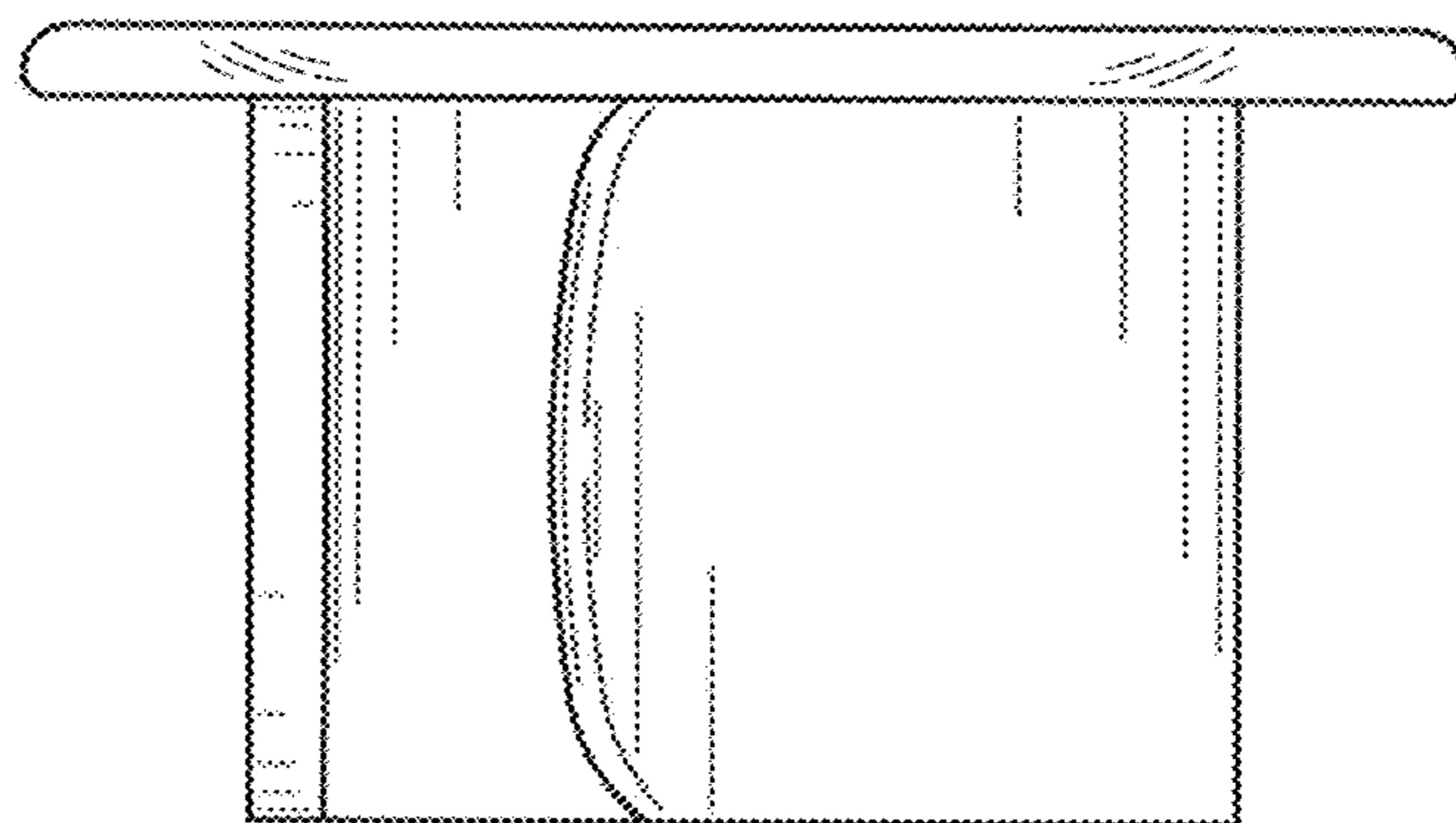


FIG. 5

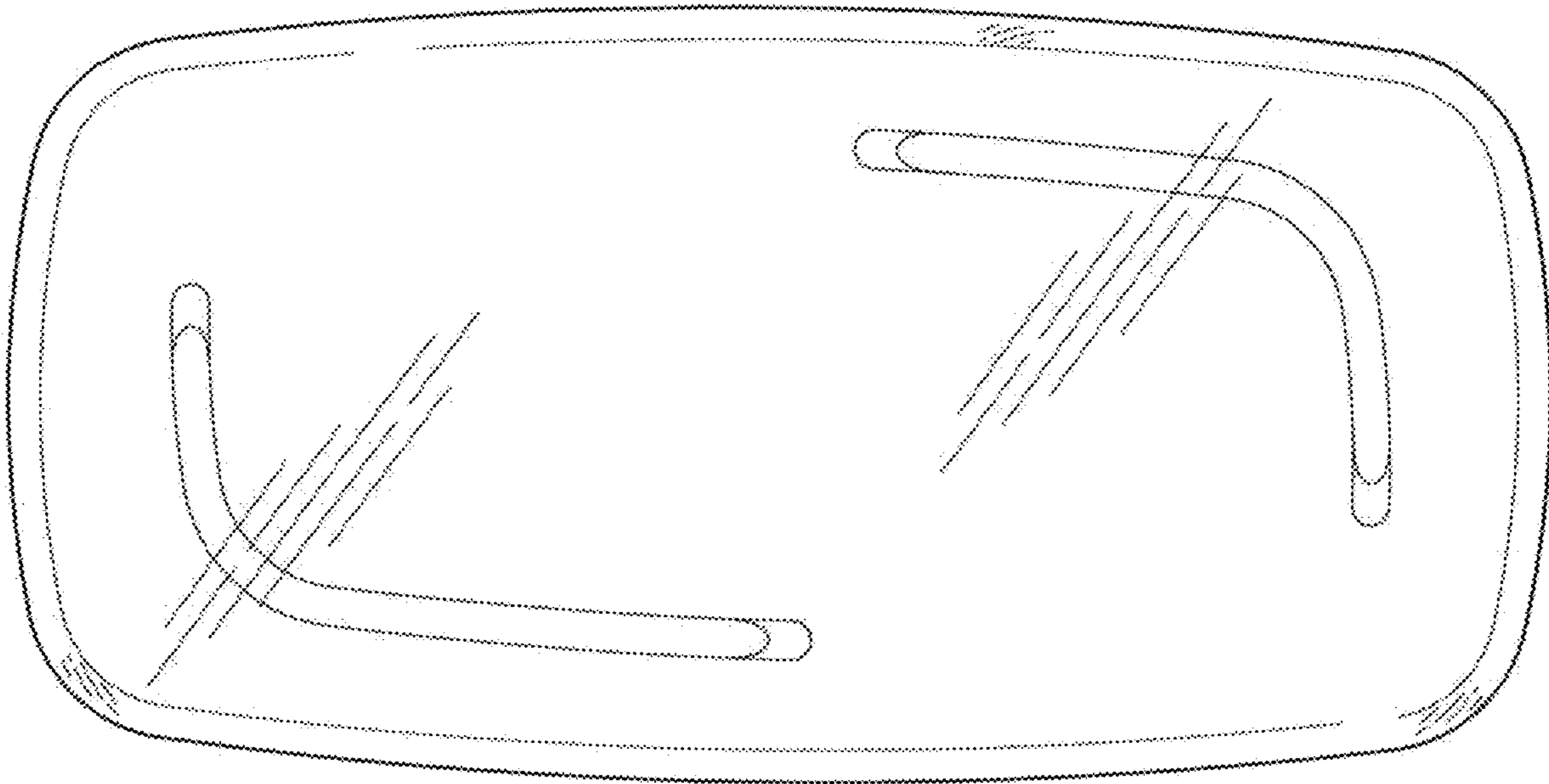


FIG. 6

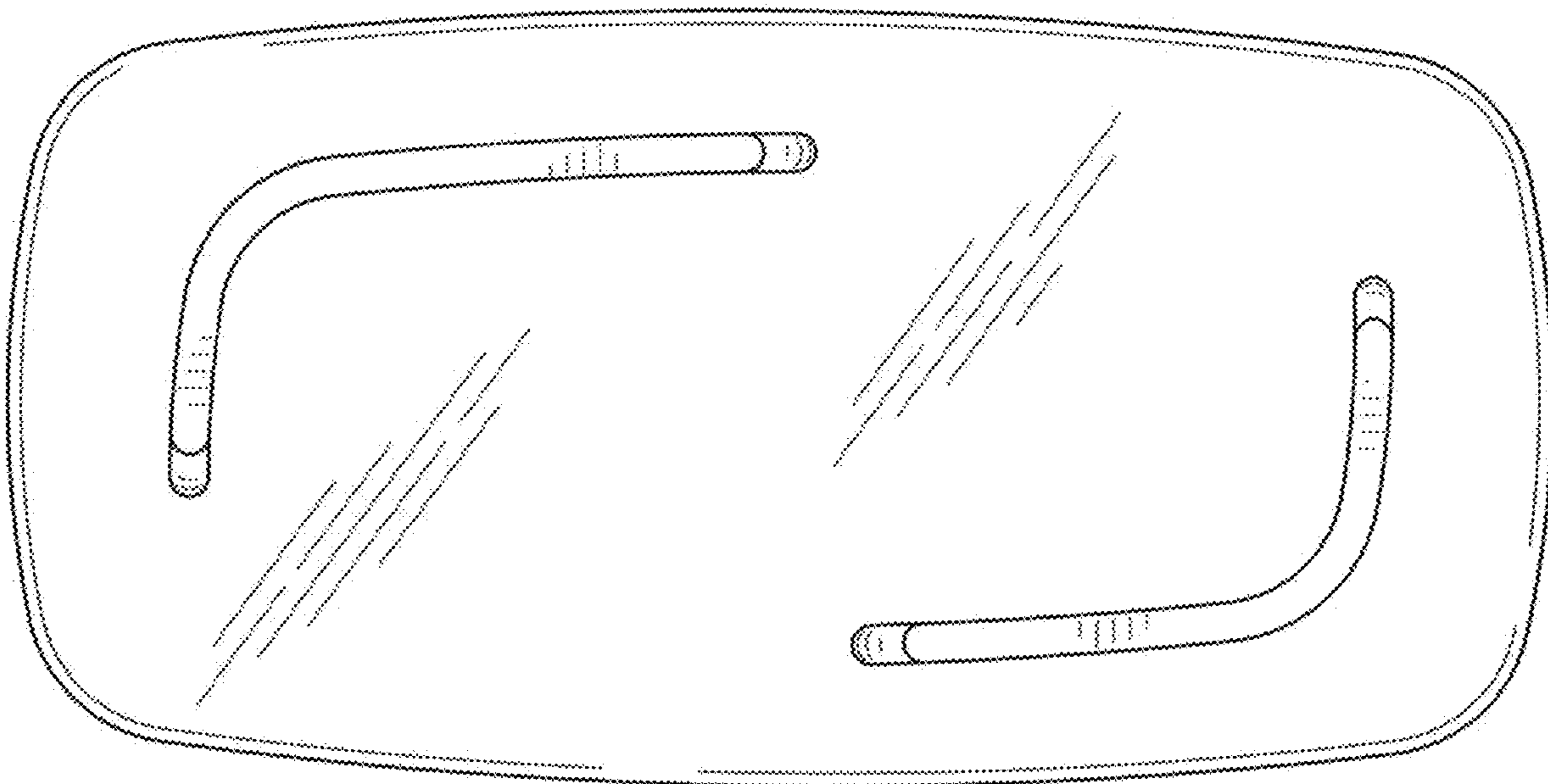


FIG. 7

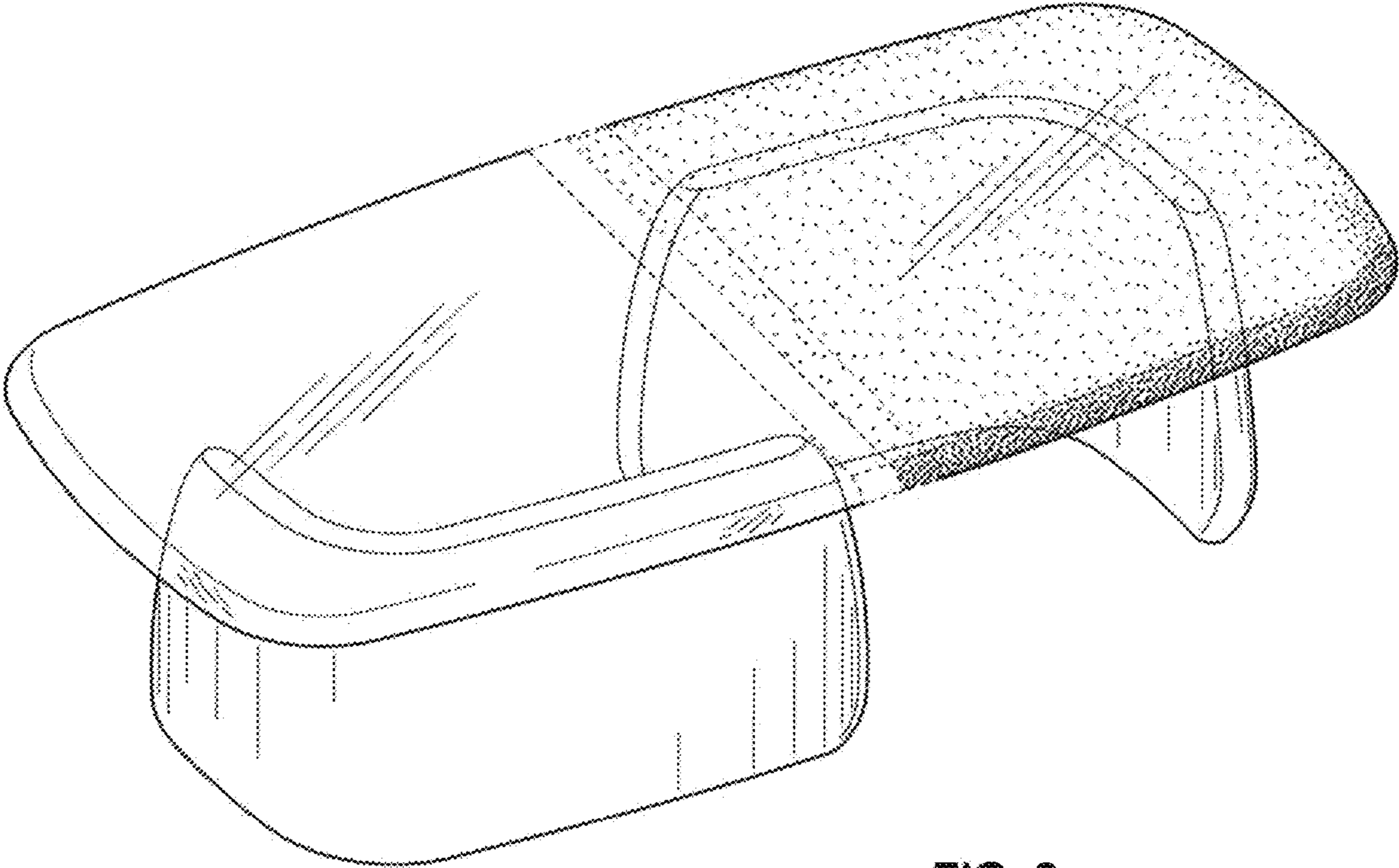


FIG. 8

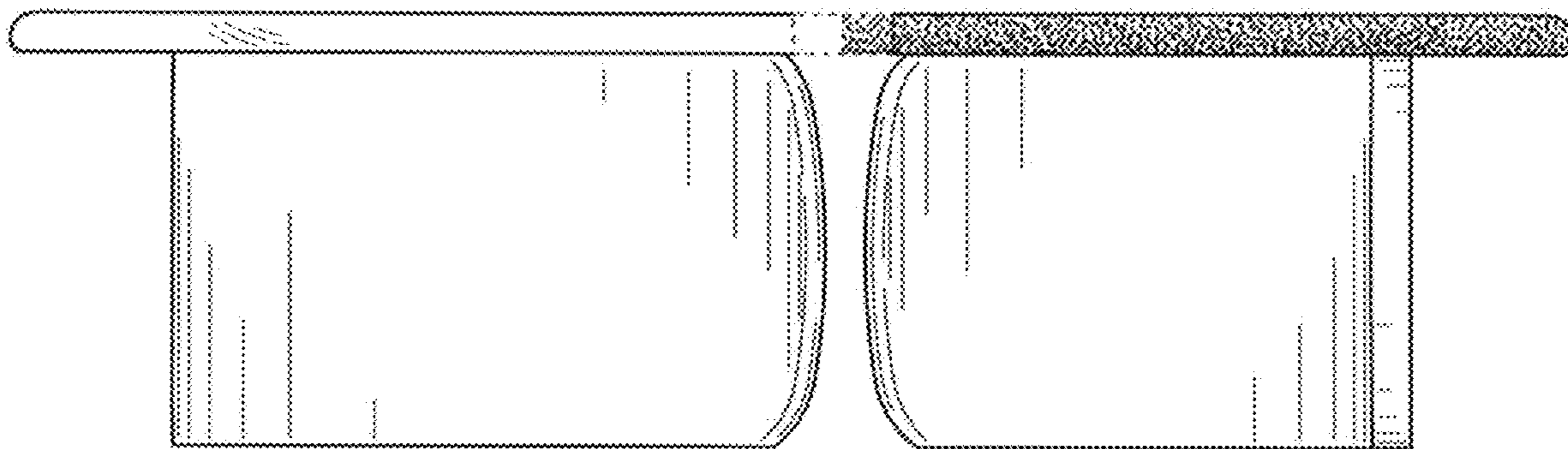


FIG. 9

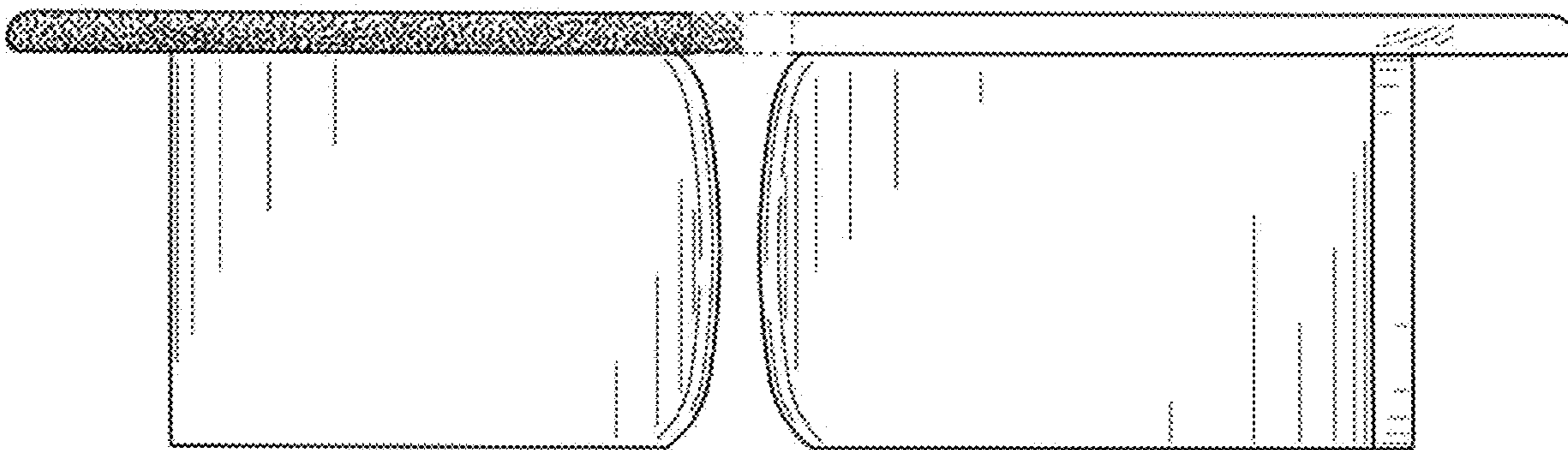


FIG. 10

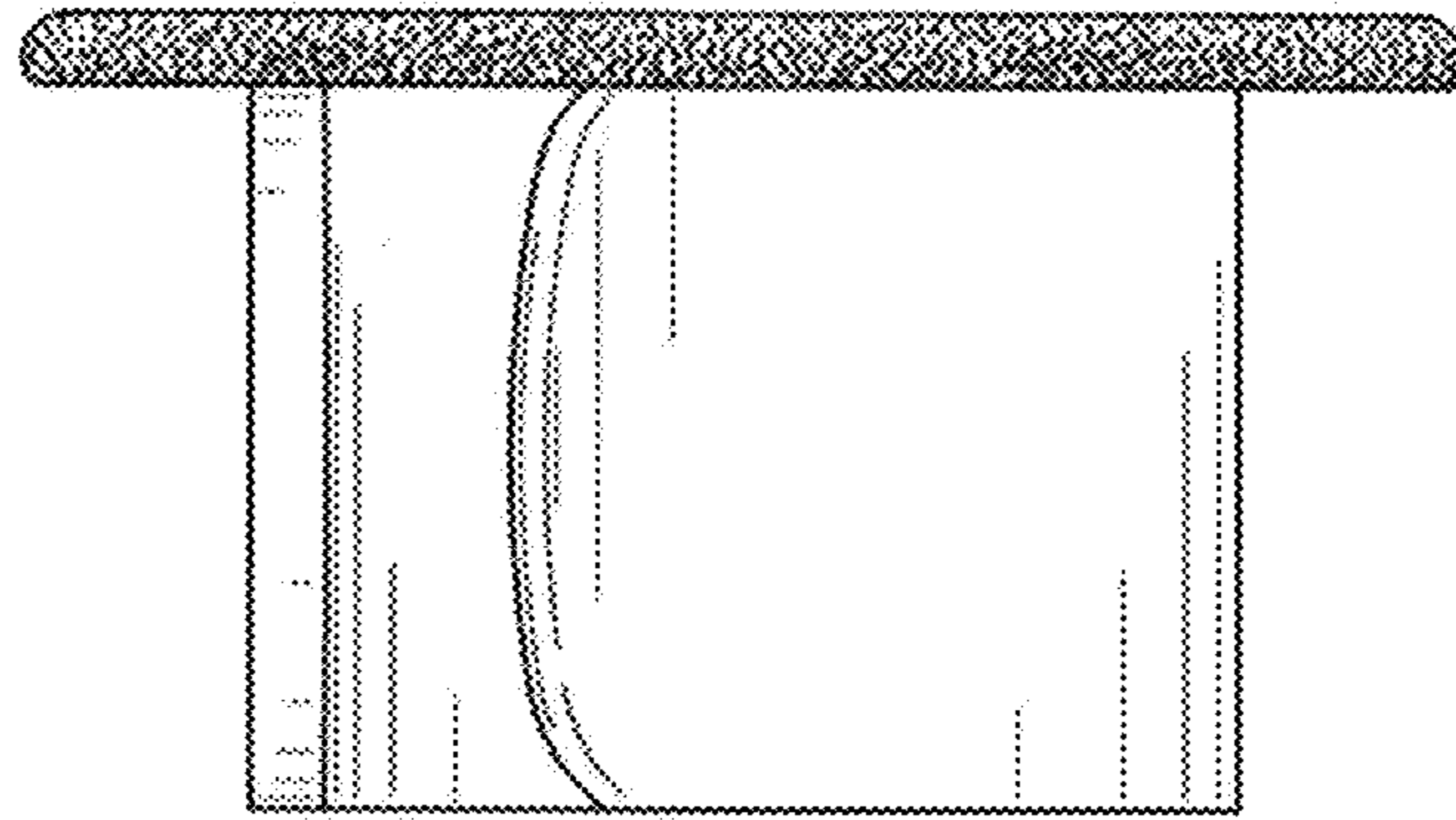


FIG. 11

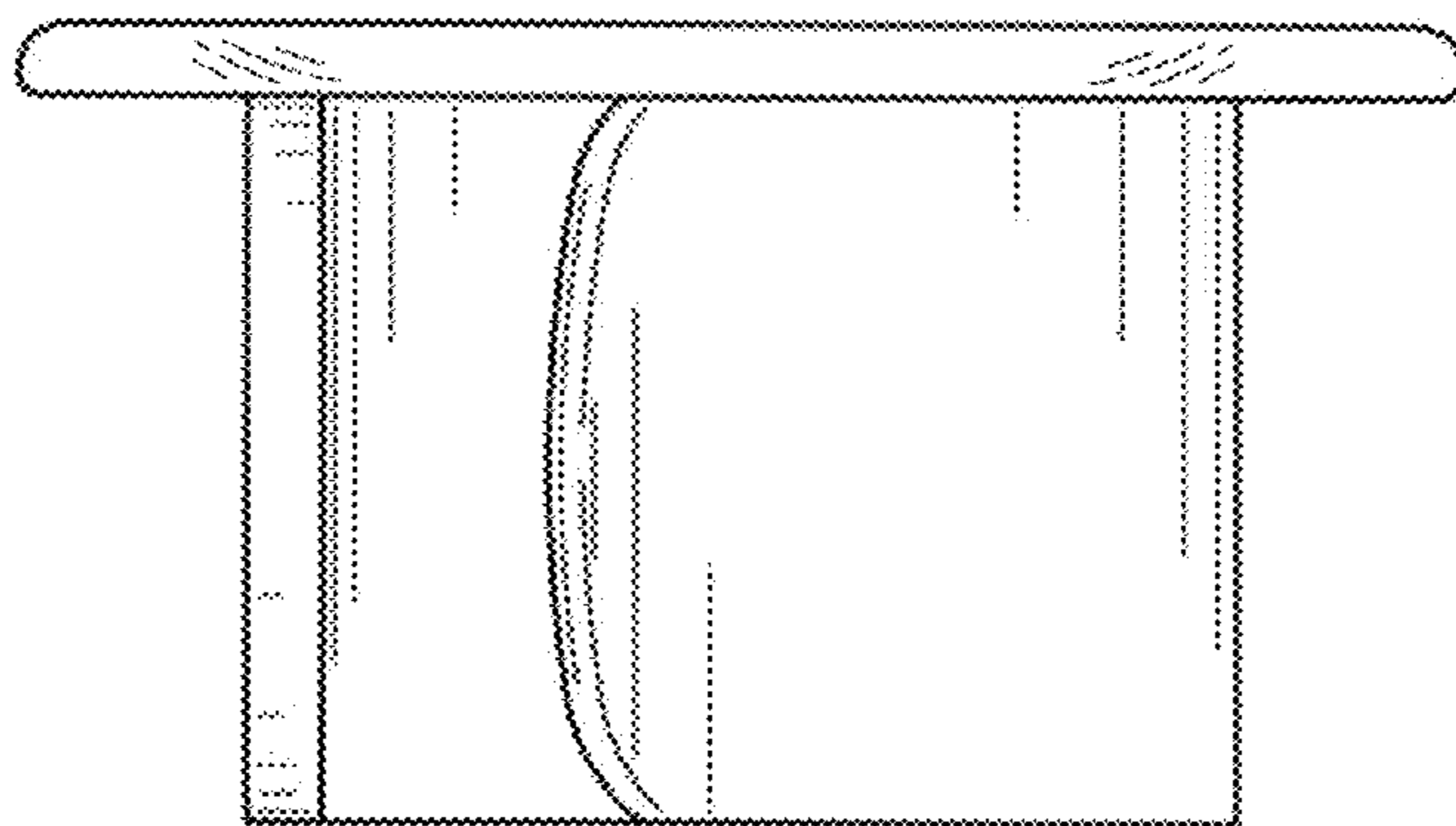


FIG. 12

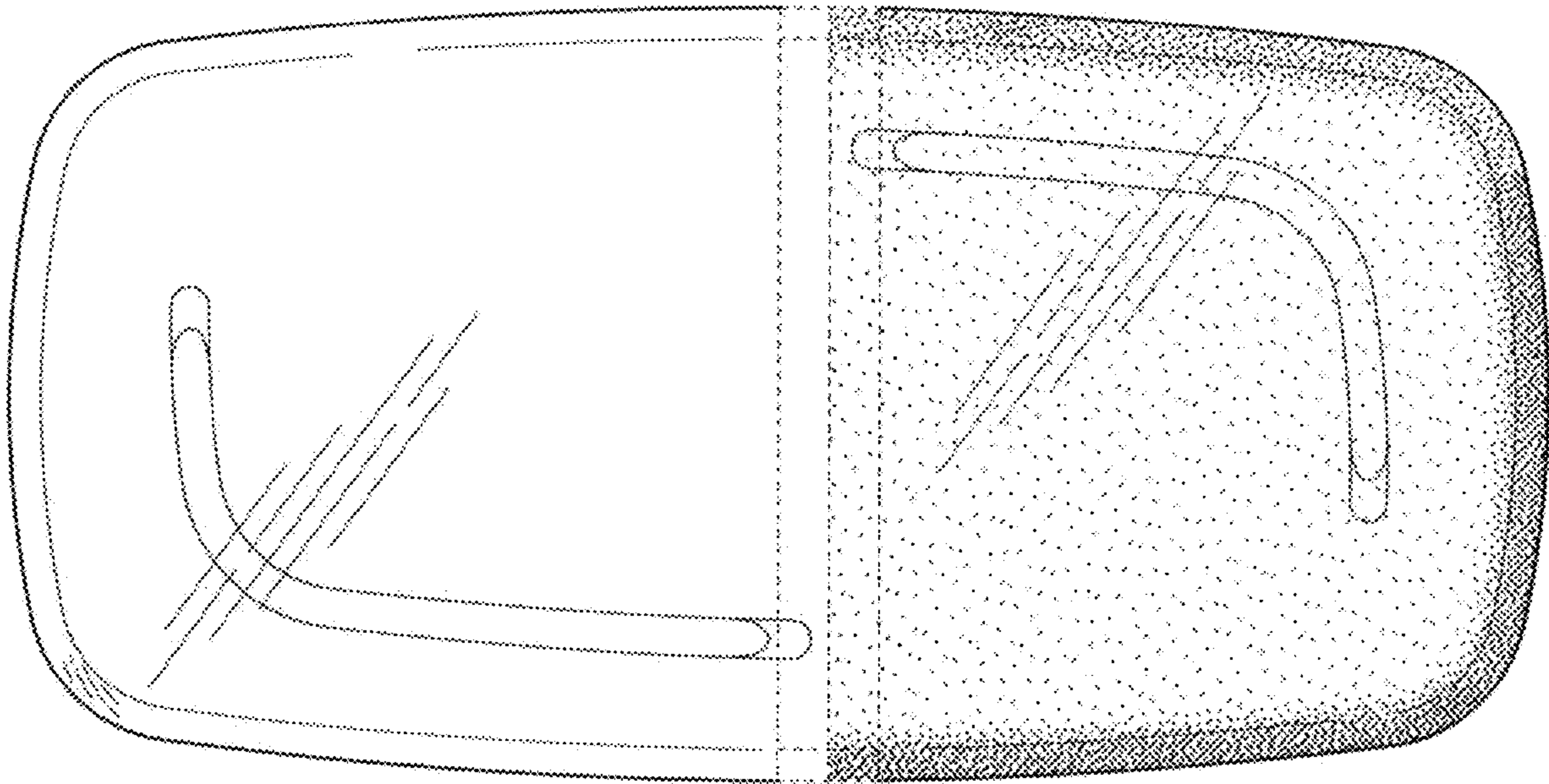


FIG. 13

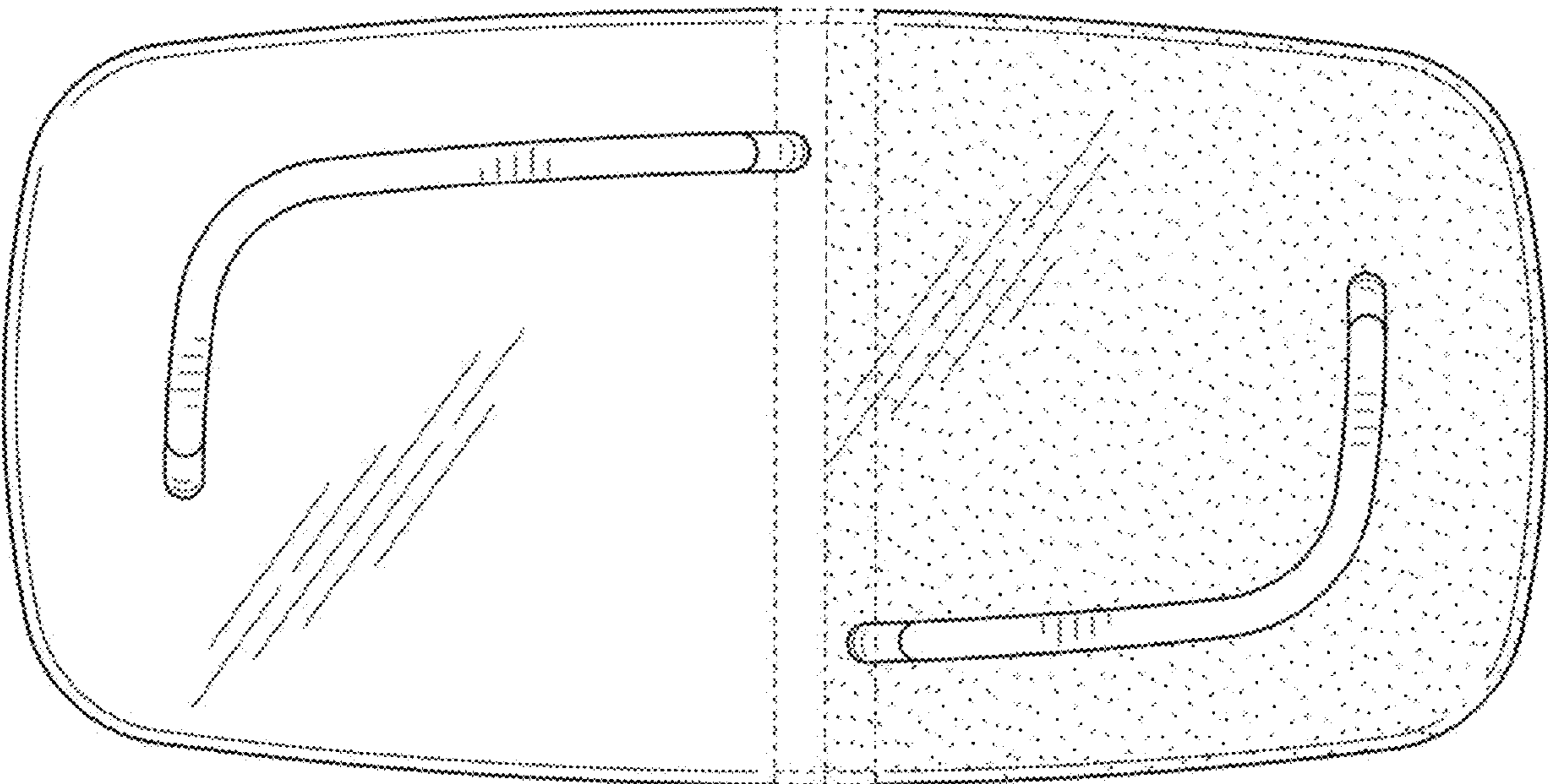


FIG. 14