



US00D946944S

(12) **United States Design Patent**  
**Chen**

(10) **Patent No.:** **US D946,944 S**  
(45) **Date of Patent:** **\*\* Mar. 29, 2022**

(54) **VACUUM CLEANER ACCESSORIES  
HOLDER**

(71) Applicant: **Sifan Chen**, Wuhan (CN)

(72) Inventor: **Sifan Chen**, Wuhan (CN)

(\*\*) Term: **15 Years**

(21) Appl. No.: **29/747,008**

(22) Filed: **Aug. 19, 2020**

(51) **LOC (13) Cl.** ..... **06-06**

(52) **U.S. Cl.**  
USPC ..... **D6/682.2**

(58) **Field of Classification Search**  
USPC ..... D6/672, 673, 675, 678, 682, 682.1,  
D6/682.2, 682.3, 682.6; D8/354, 349,  
D8/356, 373; D32/31  
CPC ..... A47B 57/30; A47F 3/00; A47F 5/0006;  
A47F 7/00; A47F 7/02; A47F 7/021;  
A47F 11/00; A47F 5/12; A47F 5/006;  
A47F 7/0035; A47G 29/00; A47G 29/08  
See application file for complete search history.

(56) **References Cited**

**U.S. PATENT DOCUMENTS**

- D585,667 S \* 2/2009 Levy ..... D6/682.2
- D688,072 S \* 8/2013 Hennessey ..... D6/682
- D689,715 S \* 9/2013 Wong ..... D6/675.1
- D812,942 S \* 3/2018 Pilat ..... D6/682.6
- D828,058 S \* 9/2018 Khanicheh ..... D6/681
- D837,144 S \* 1/2019 Nam ..... D13/107
- D867,794 S \* 11/2019 Nakamura ..... D6/675
- D869,883 S \* 12/2019 Schaefer ..... D6/675.2

(Continued)

**OTHER PUBLICATIONS**

[https://www.amazon.sg/BENOSS-No-Drill-Handheld-Cordless-Accessories/dp/B07TGHLYZ4/ref=pd\\_sbs\\_5/358-3715178-](https://www.amazon.sg/BENOSS-No-Drill-Handheld-Cordless-Accessories/dp/B07TGHLYZ4/ref=pd_sbs_5/358-3715178-)

1804558?pd\_rd\_w=GBPGO&pf\_rd\_p=4418c340-f622-443b-9744-d3073cdfce1a&pf\_rd\_r=FNK6HYJAAQ1E6KW2WMEH&pd\_rd\_r=0d02248b-f117-4866-ab7a-db6539969761&pd\_rd\_wg=sttJf&pd\_rd\_i=B07TGHLYZ4&psc=1.\*

(Continued)

*Primary Examiner* — Kelley A Donnelly

(74) *Attorney, Agent, or Firm* — Rumit Ranjit Kanakia

(57) **CLAIM**

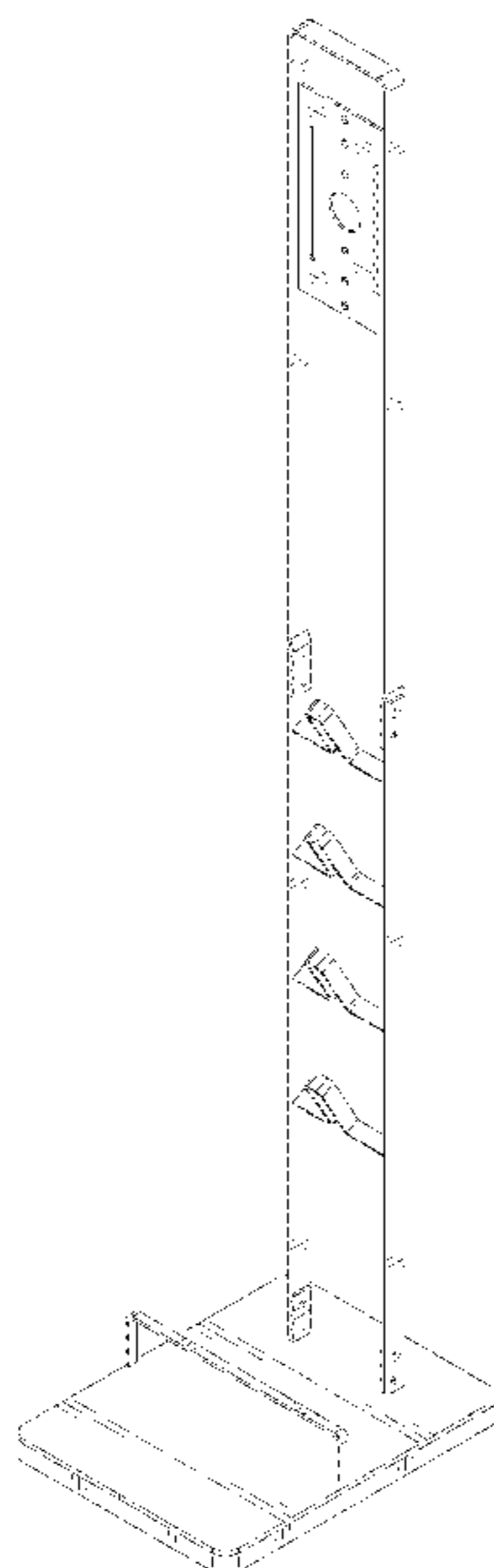
I claim the ornamental design for a vacuum cleaner accessories holder, as shown and described.

**DESCRIPTION**

FIG. 1 is a Perspective view of a vacuum cleaner accessories holder showing my new design;  
 FIG. 2 is a Front view thereof;  
 FIG. 3 is a Back view thereof;  
 FIG. 4 is a Right-side view thereof;  
 FIG. 5 is a Left-side view thereof;  
 FIG. 6 is a Top view thereof;  
 FIG. 7 is a Bottom view thereof;  
 FIG. 8 is a second embodiment of a vacuum cleaner accessories holder showing my new design;  
 FIG. 9 is a Front view of the vacuum cleaner accessories holder of FIG. 8;  
 FIG. 10 is a Back view of the vacuum cleaner accessories holder of FIG. 8;  
 FIG. 11 is a Right-side view of the vacuum cleaner accessories holder of FIG. 8;  
 FIG. 12 is a Left-side view of the vacuum cleaner accessories holder of FIG. 8;  
 FIG. 13 is a Top view of the vacuum cleaner accessories holder of FIG. 8; and,  
 FIG. 14 is a Bottom view of the vacuum cleaner accessories holder of FIG. 8.

The broken lines are for the purpose of illustrating portions of the article that form no part of the claim.

**1 Claim, 12 Drawing Sheets**



(56)

**References Cited**

U.S. PATENT DOCUMENTS

D878,829 S \* 3/2020 Chen ..... D6/675  
 D885,094 S \* 5/2020 Cao ..... D6/682.2  
 D897,745 S \* 10/2020 Dardashti ..... D6/682.1  
 D909,185 S \* 2/2021 Su ..... D8/354  
 D912,346 S \* 3/2021 Lee ..... D32/31  
 D923,979 S \* 7/2021 Gale ..... D6/675  
 2017/0157727 A1 \* 6/2017 Felton ..... B23Q 11/0071

OTHER PUBLICATIONS

Foho Vacuum Stand for Dyson V11 V10 V8 V7 V6, Stable Metal Storage Bracket Stand Holder for Dyson Handheld DC30 DC31 DC34 DC35 DC58 DC59 DC62 Cordless Vacuum Cleaners & Accessories & Attachments; <https://www.amazon.com/dp/B083M8RRN3>; Jan. 19, 2020.  
 Foho Metal Vacuum Stand for Dyson (Set of 10); <https://www.wayfair.com/storage-organization/pdp/foho-metal-vacuum-stand-for-dyson-tude1000.html>; Jun. 16, 2020.

Vacuum Stand for Dyson V11 V10 V8 V7 V6, Stable Metal Storage Bracket Stand Holder for Dyson Handheld DC30 DC31 DC34 DC35 DC58 DC59 DC62 Cordless Vacuum Cleaners & Accessories & Attachments; <https://www.walmart.com/ip/Vacuum-Stand-Dyson-V11-V10-V8-V7-V6-Stable-Metal-Storage-Bracket-Holder-Handheld-DC30-DC31-DC34-DC35-DC58-DC59-DC62-Cordless-Cleaners-Accessories-Att/517489727>; Jul. 27, 2020.

Foho Metal Vacuum Stand for Dyso; <https://www.wayfair.com/storage-organization/pdp/foho-metal-vacuum-stand-for-dyso-tude1004.html>; Jul. 16, 2020.

Cordless Vacuum Stand for Dyson V11 V10 V8 V7 V6, Stable Metal Storage Bracket Stand Holder for Dyson Handheld DC30 DC31 DC34 DC35 DC58 DC59 DC62; <https://www.walmart.com/ip/Cordless-Vacuum-Stand-for-Dyson-V11-V10-V8-V7-V6-Stable-Metal-Storage-Bracket-Stand-Holder-for-Dyson-Handheld-DC30-DC31-DC34-DC35-DC58-DC59-DC62/539261558>; Aug. 1, 2020.  
<https://www.amazon.sg/BENOSS-No-Drill-Handheld-Cordless-Accessories/dp/B07TGHLYZ4>.

\* cited by examiner

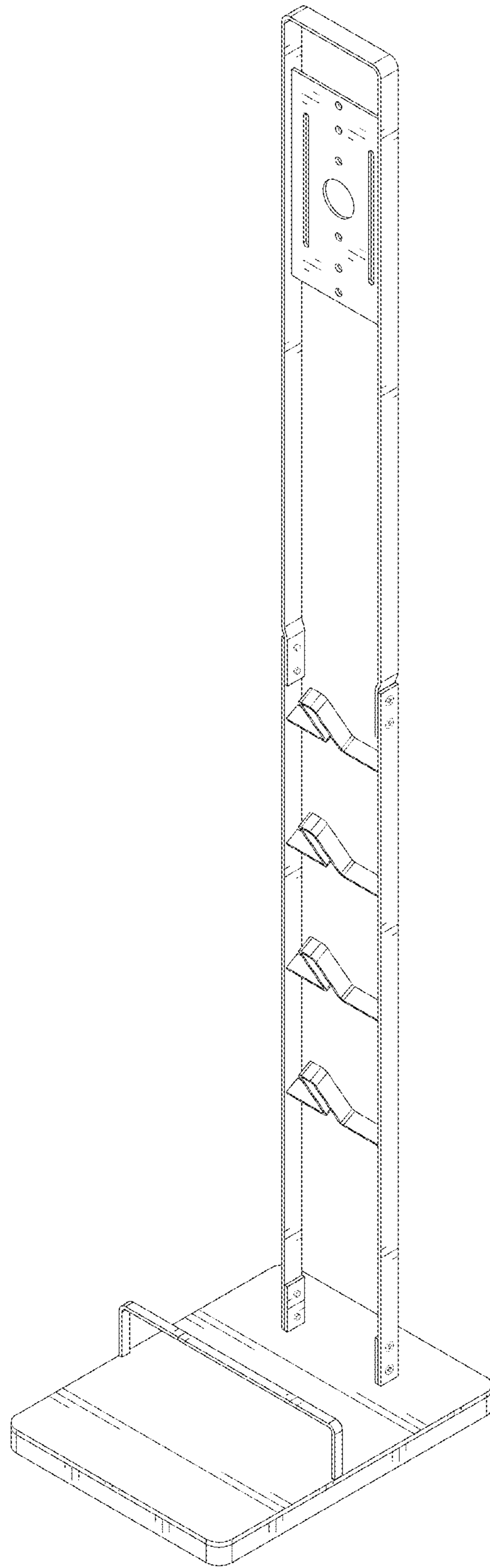


FIG. 1

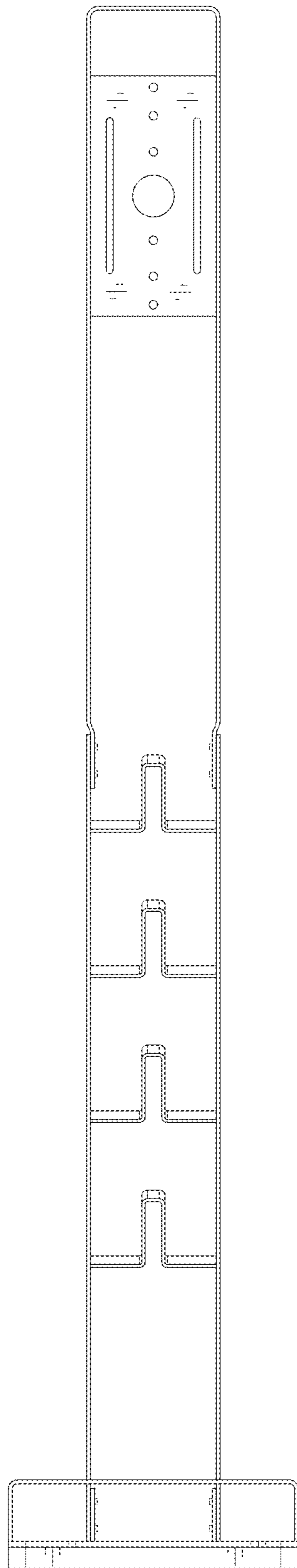


FIG. 2

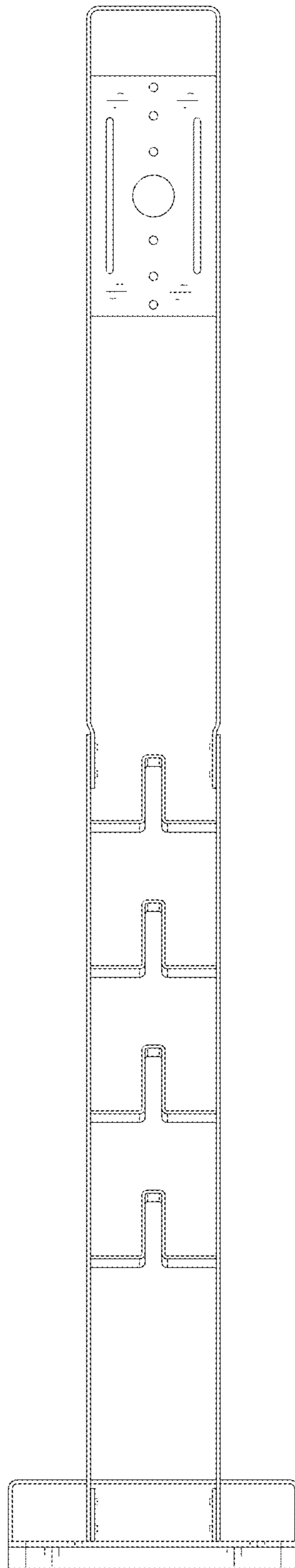


FIG. 3

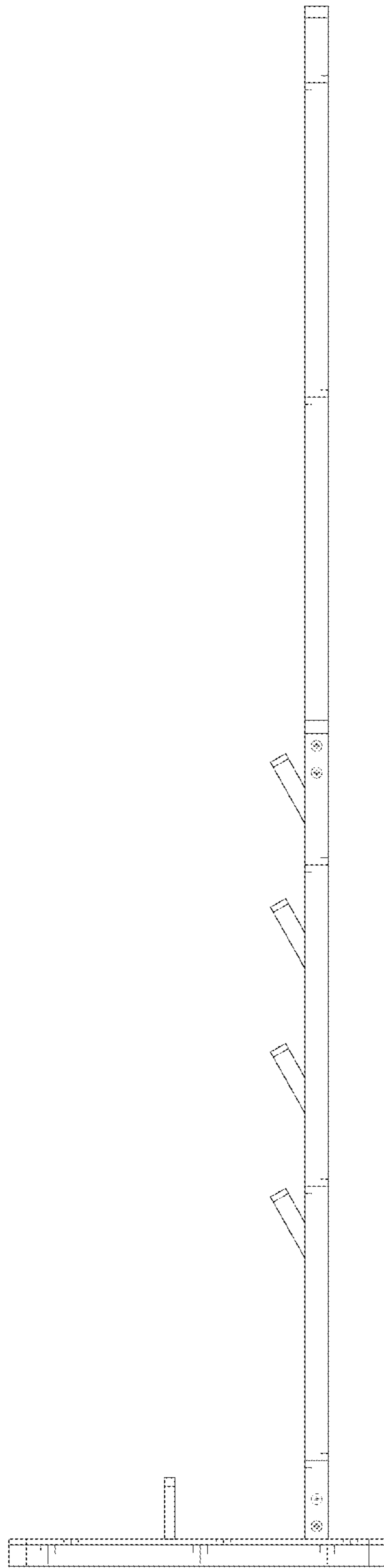


FIG. 4

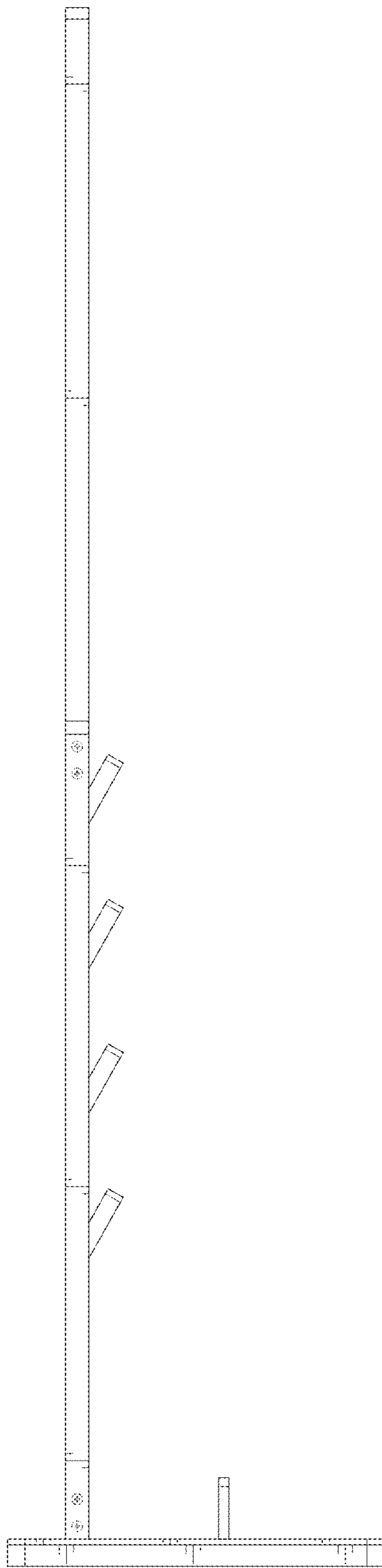


FIG. 5

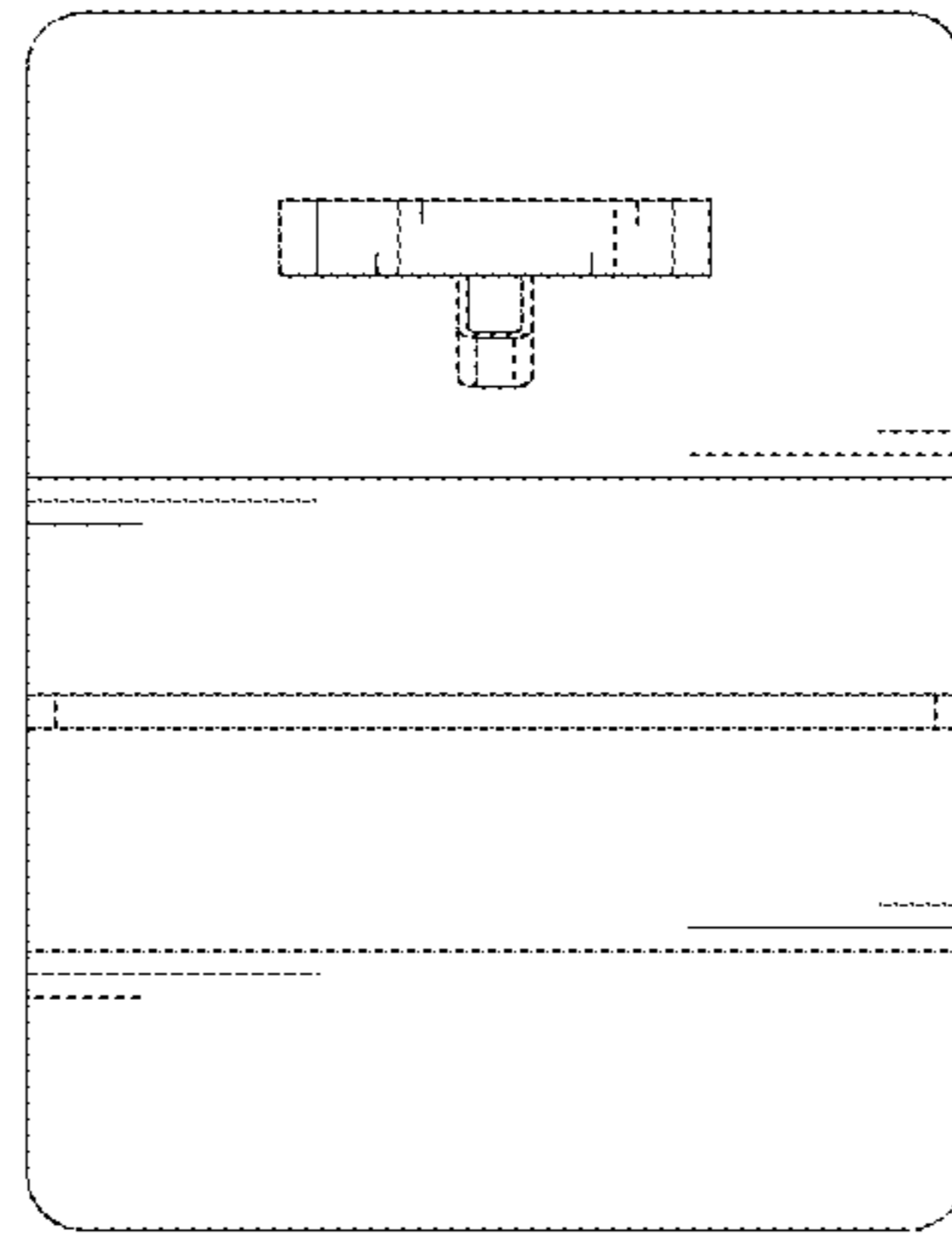


FIG. 6

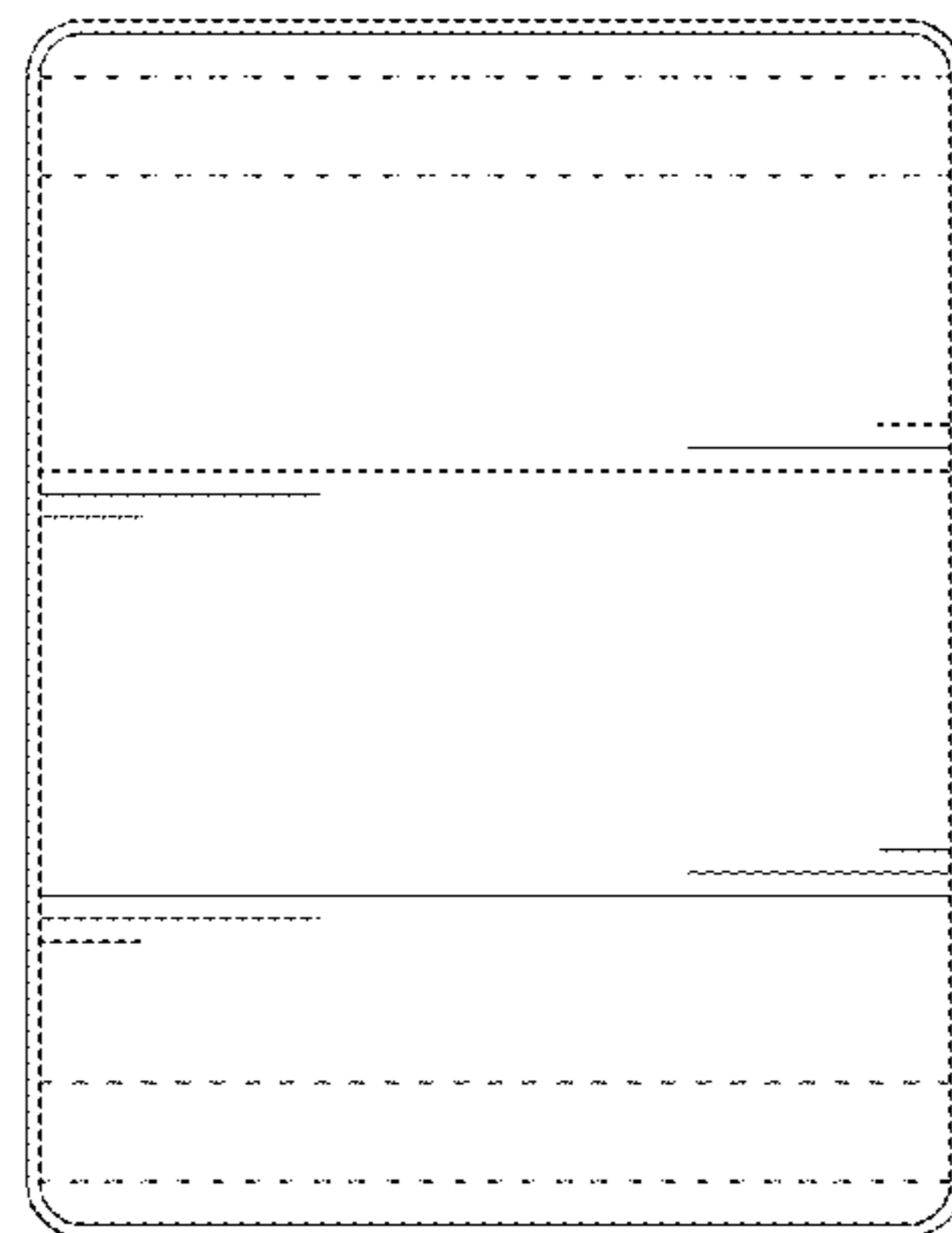


FIG. 7



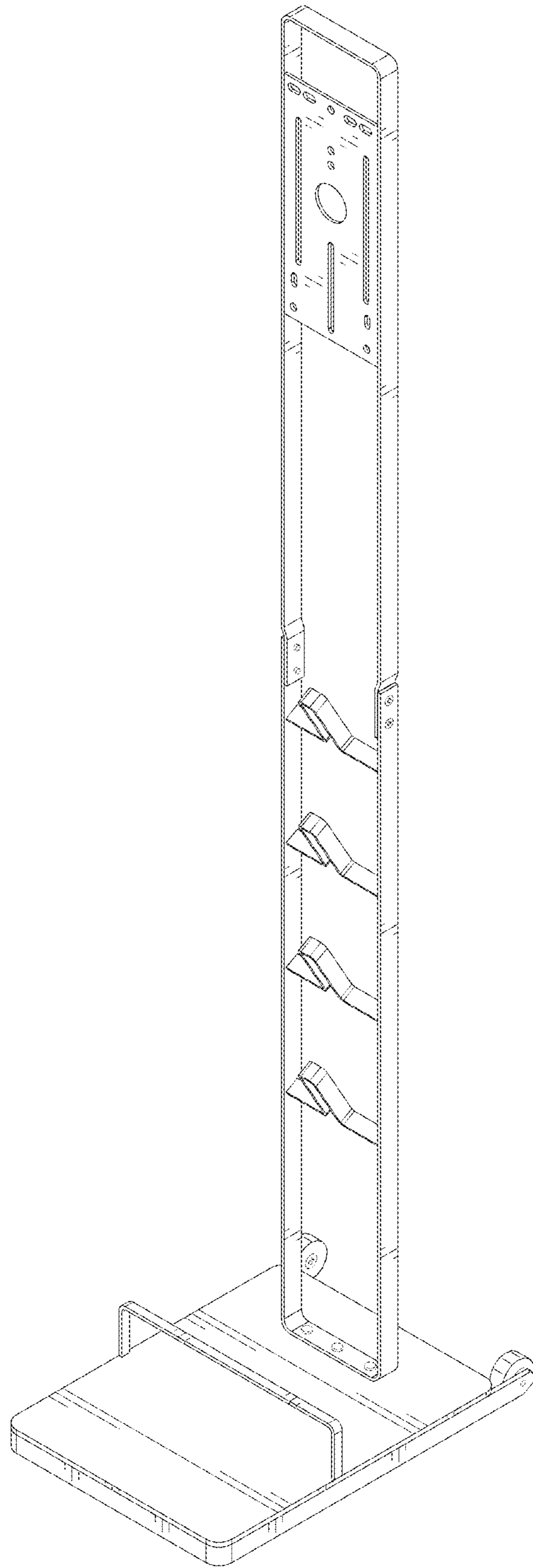


FIG. 8

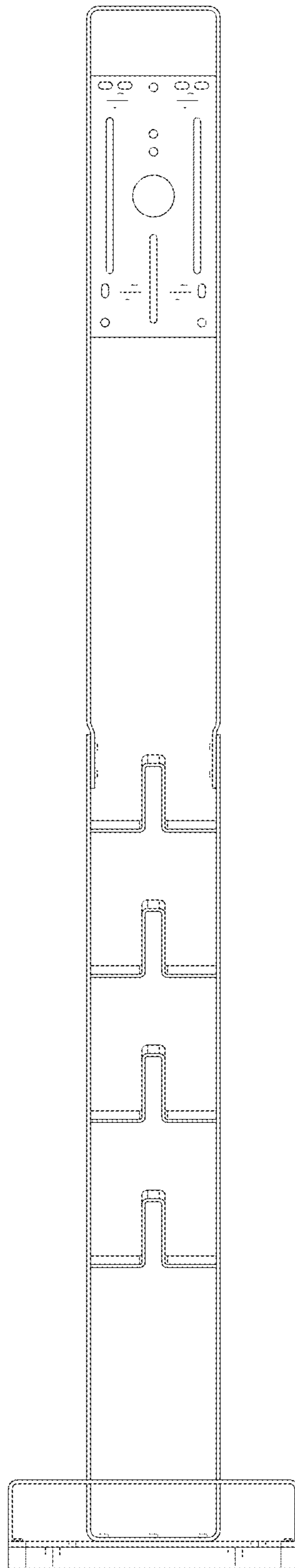


FIG. 9

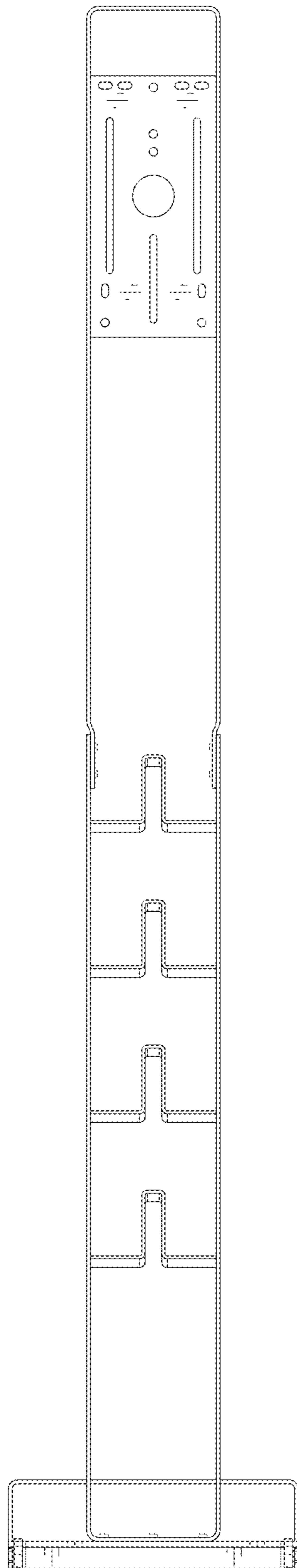


FIG. 10

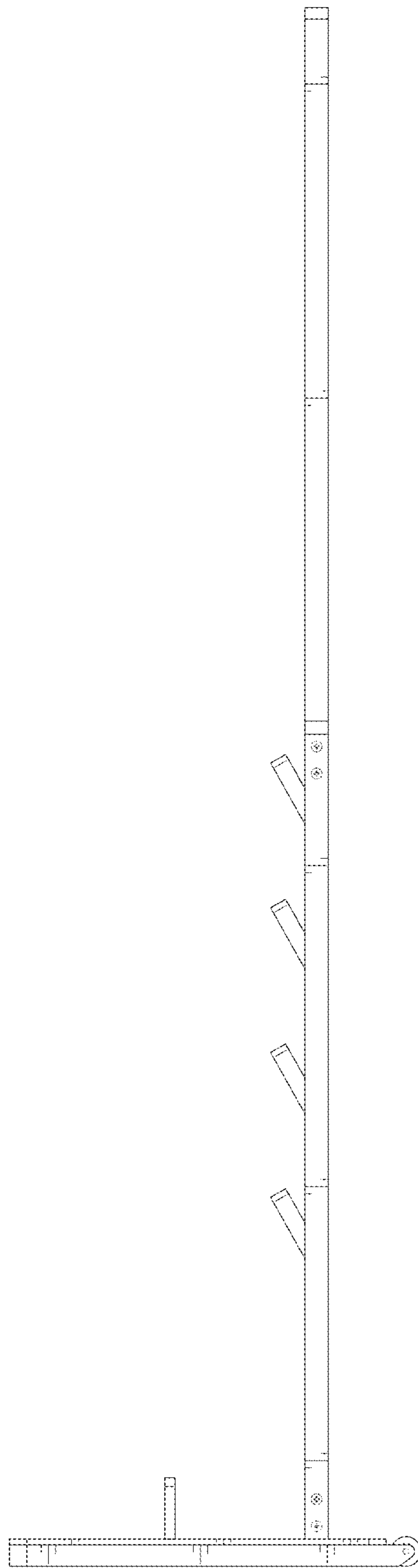


FIG. 11

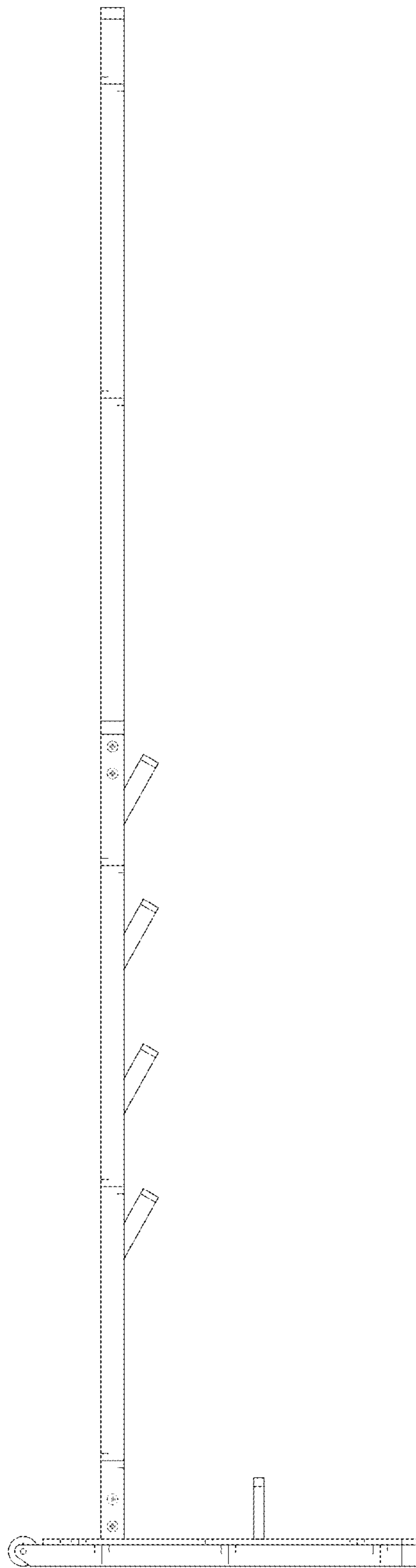


FIG. 12

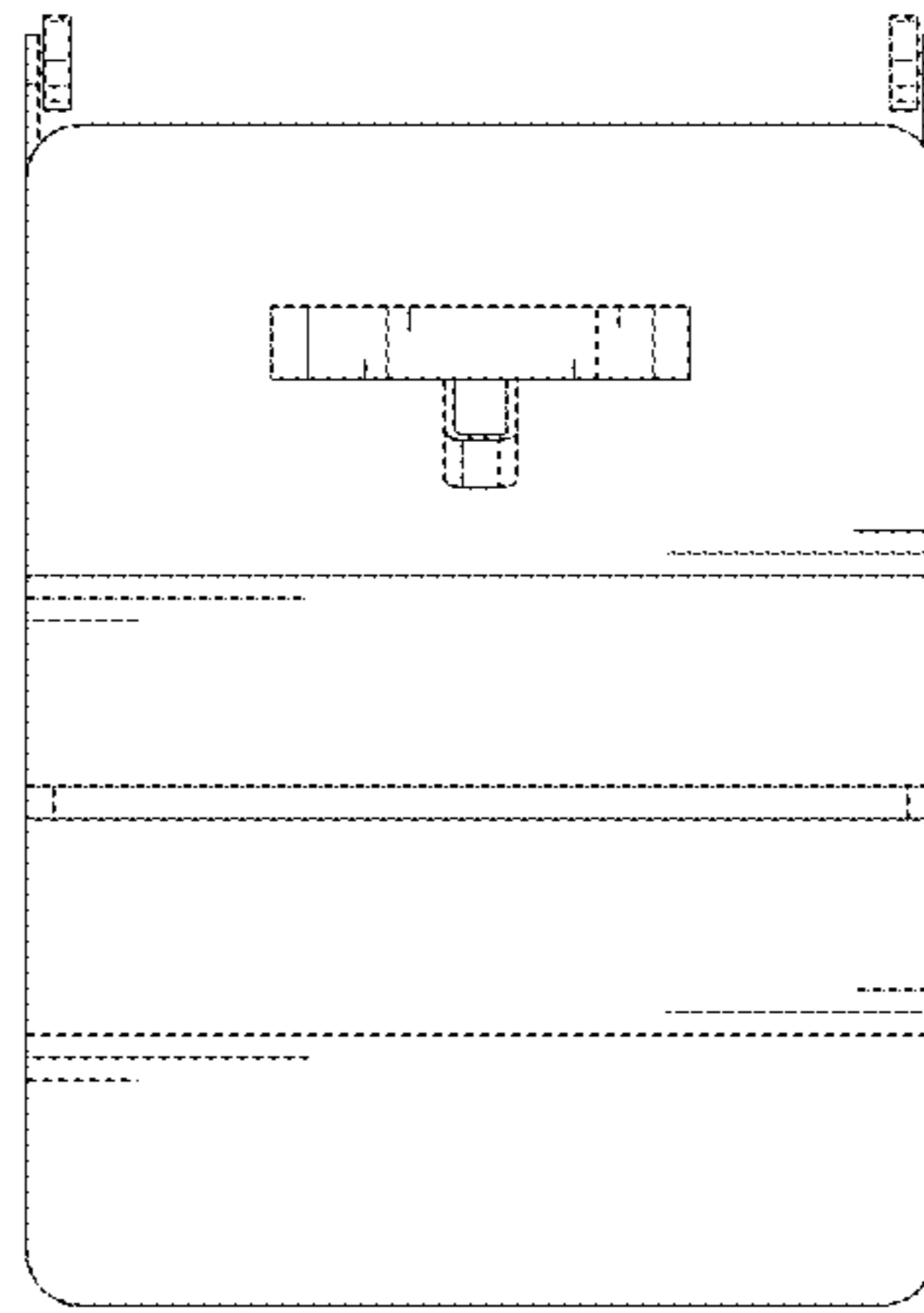


FIG. 13

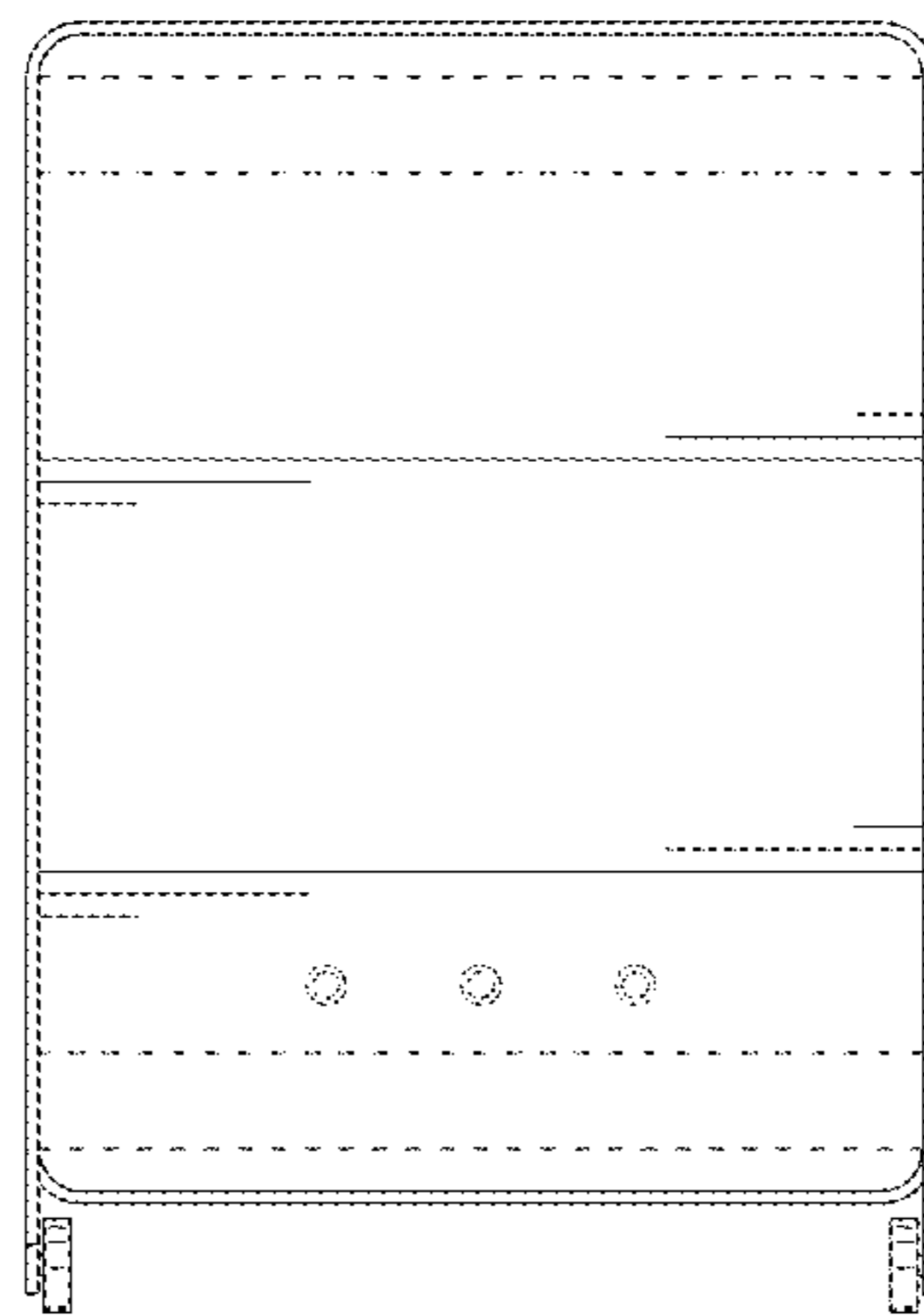


FIG. 14