



US00D946941S

(12) **United States Design Patent**
Greenwood

(10) **Patent No.:** **US D946,941 S**
(45) **Date of Patent:** **** Mar. 29, 2022**

- (54) **SHELF SET**
- (71) Applicant: **YouCopia Products Inc.**, Chicago, IL (US)
- (72) Inventor: **Mark Greenwood**, Arlington Heights, IL (US)
- (73) Assignee: **YouCopia Products, Inc.**, Chicago, IL (US)
- (**) Term: **15 Years**
- (21) Appl. No.: **29/727,534**
- (22) Filed: **Mar. 11, 2020**
- (51) **LOC (13) Cl.** **06-06**
- (52) **U.S. Cl.**
USPC **D6/675.3**
- (58) **Field of Classification Search**
USPC D6/672, 675, 675.2, 675.1, 675.3;
D7/600.1, 600.4, 601-602
CPC A47B 73/00; A47B 81/00; A47F 5/0018;
A47F 5/16; A47F 7/00; A47F 7/28; A47J
47/16
See application file for complete search history.

D555,936 S	11/2007	King	
D557,936 S	12/2007	Man	
D574,434 S	8/2008	Siegel	
D599,582 S	9/2009	Decardenas	
D637,016 S	5/2011	Pohl	
D642,582 S	8/2011	Largy	
D716,590 S	11/2014	Hsu et al.	
8,925,682 B2 *	1/2015	Chitayat A47C 12/00 182/152
D747,629 S	1/2016	Goodman et al.	
D760,852 S	7/2016	Appleton	
D813,575 S *	3/2018	Kraemer D6/675.3
D839,009 S *	1/2019	Garbus D6/349
D848,768 S *	5/2019	Johnson D6/662.1
D852,804 S *	7/2019	Turksu D14/451
D865,386 S *	11/2019	Sphikas D6/350

(Continued)

Primary Examiner — Kelley A Donnelly
(74) *Attorney, Agent, or Firm* — Lowe Graham Jones PLLC

(57) **CLAIM**

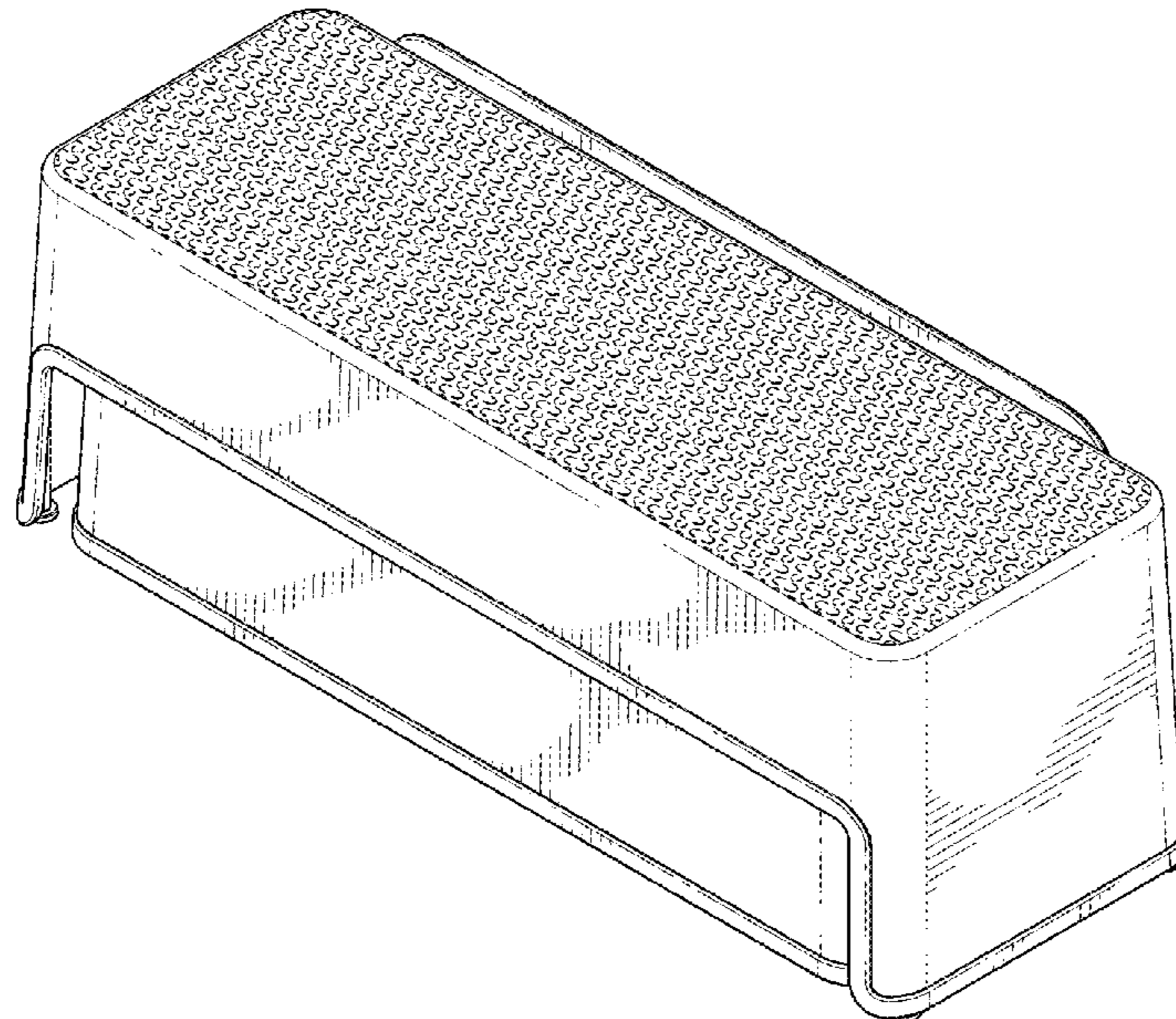
I claim the ornamental design for a shelf set, as shown and described.

DESCRIPTION

FIG. 1 is a top perspective view of a shelf set, showing my new design.
FIG. 2 is a top perspective exploded view of the shelf set.
FIG. 3 is a front elevational exploded view of the shelf set.
FIG. 4 is a rear elevational exploded view of the shelf set.
FIG. 5 is a left side elevational exploded view of the shelf set.
FIG. 6 is a right side elevational exploded view of the shelf set.
FIG. 7 is a top plan exploded view of the shelf set; and,
FIG. 8 is a bottom plan exploded view of the shelf set.
The broken lines depict portions of the article that form no part of the claimed design.

1 Claim, 8 Drawing Sheets

- (56) **References Cited**
U.S. PATENT DOCUMENTS
D207,564 S 5/1967 Lloyd
D242,890 S 1/1977 Hillman et al.
4,025,137 A * 5/1977 Wyler A47B 45/00
248/172
5,357,876 A * 10/1994 Kniefel E04H 3/12
108/92
D507,431 S 7/2005 Goth
D507,432 S * 7/2005 Goth D6/678.2
D524,319 S * 7/2006 Zamanian D14/447
D524,577 S 7/2006 Gusdorf et al.
D543,383 S 5/2007 Edison et al.



(56)

References Cited

U.S. PATENT DOCUMENTS

D908,407 S * 1/2021 Joseph D6/675.3
D931,057 S * 9/2021 Xin D7/600.4
D938,744 S * 12/2021 Liu D6/349
2008/0164744 A1* 7/2008 Wang A47C 9/00
264/250
2014/0123376 A1* 5/2014 Edwards A47K 17/028
4/254
2019/0099043 A1* 4/2019 Castillo A47K 3/001
2019/0274495 A1* 9/2019 Leavitt A47K 17/028
2021/0169228 A1* 6/2021 Yang A47C 12/00

* cited by examiner

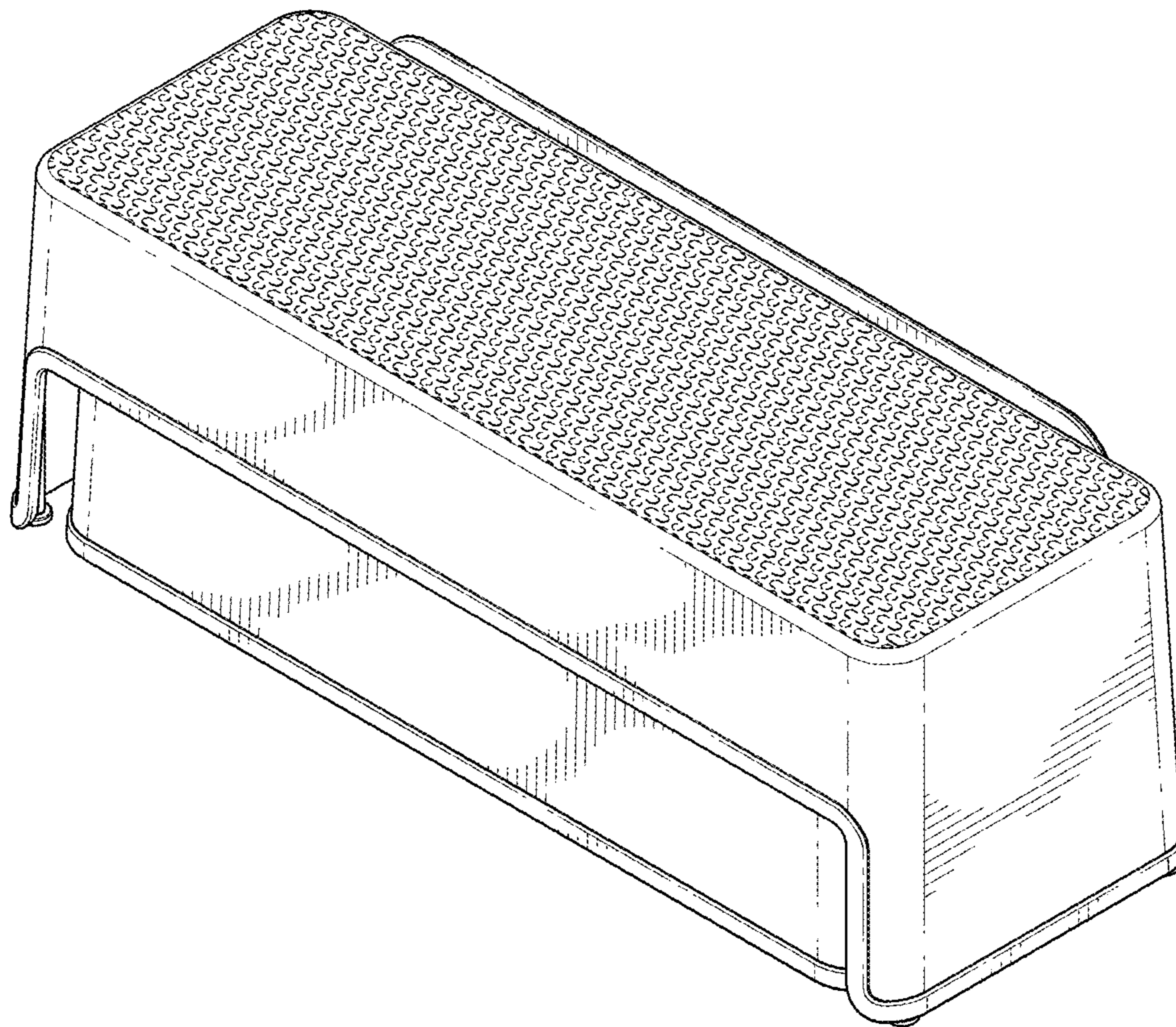


FIG. 1

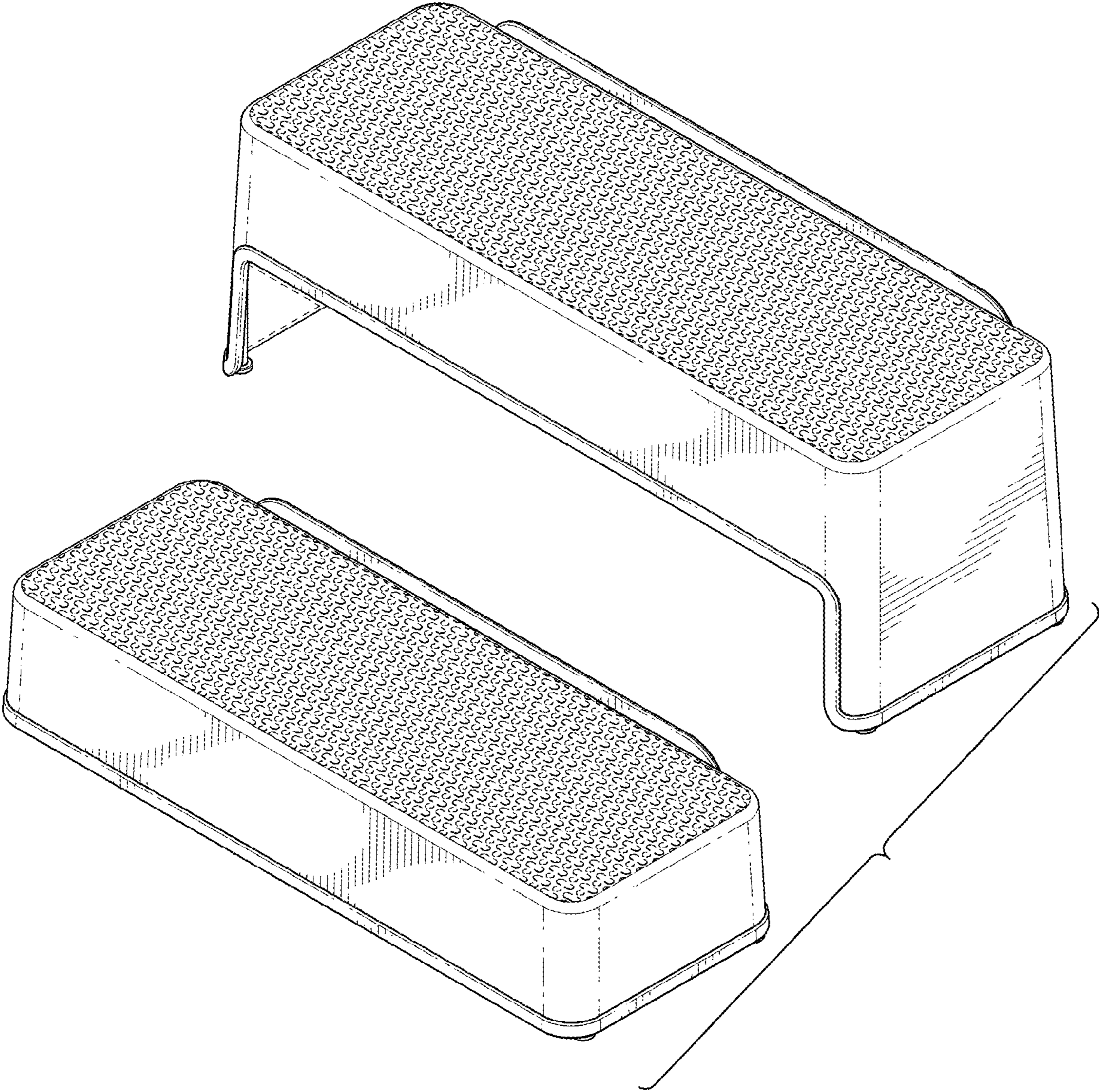


FIG.2

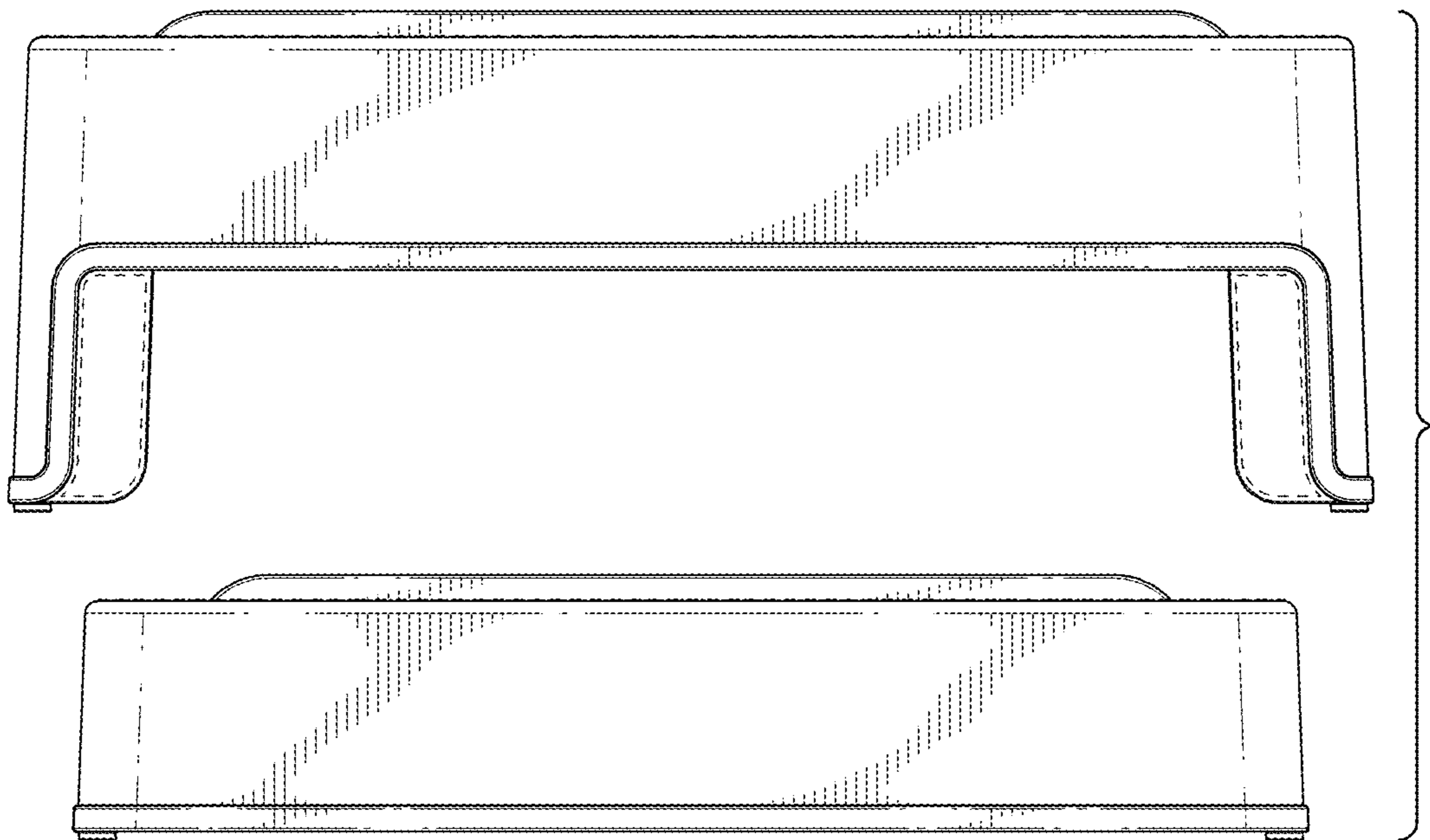


FIG. 3



FIG. 4

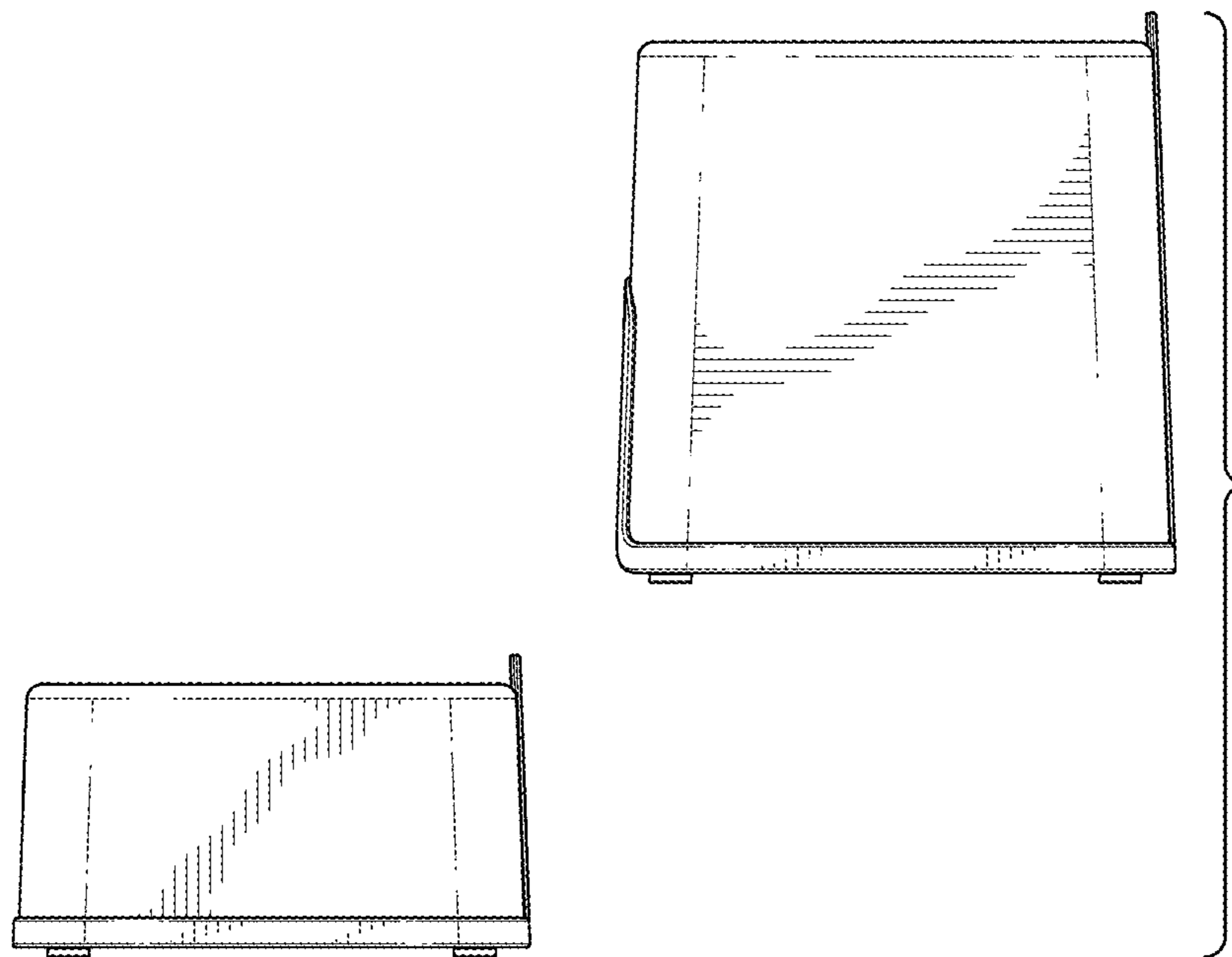


FIG. 5

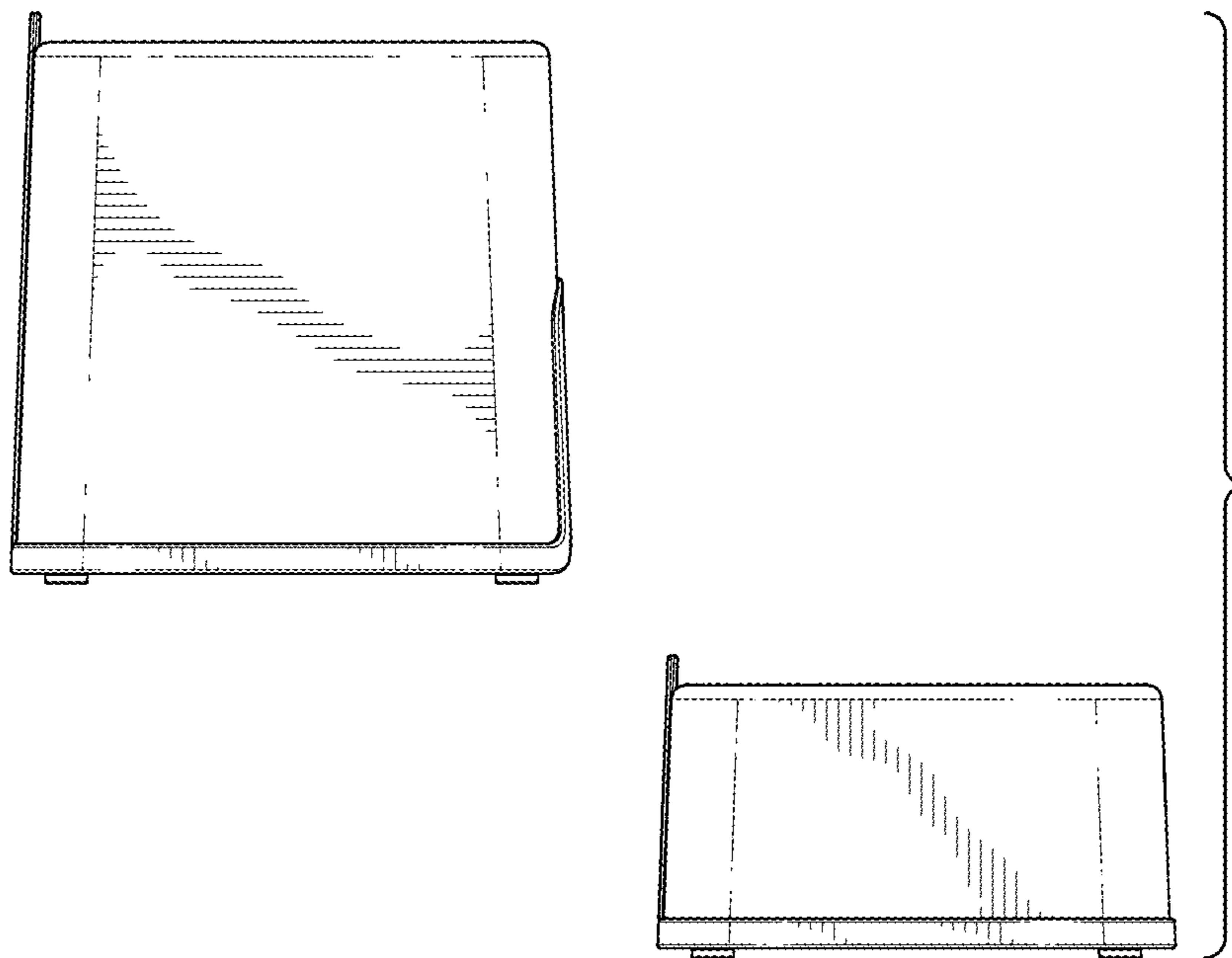


FIG. 6

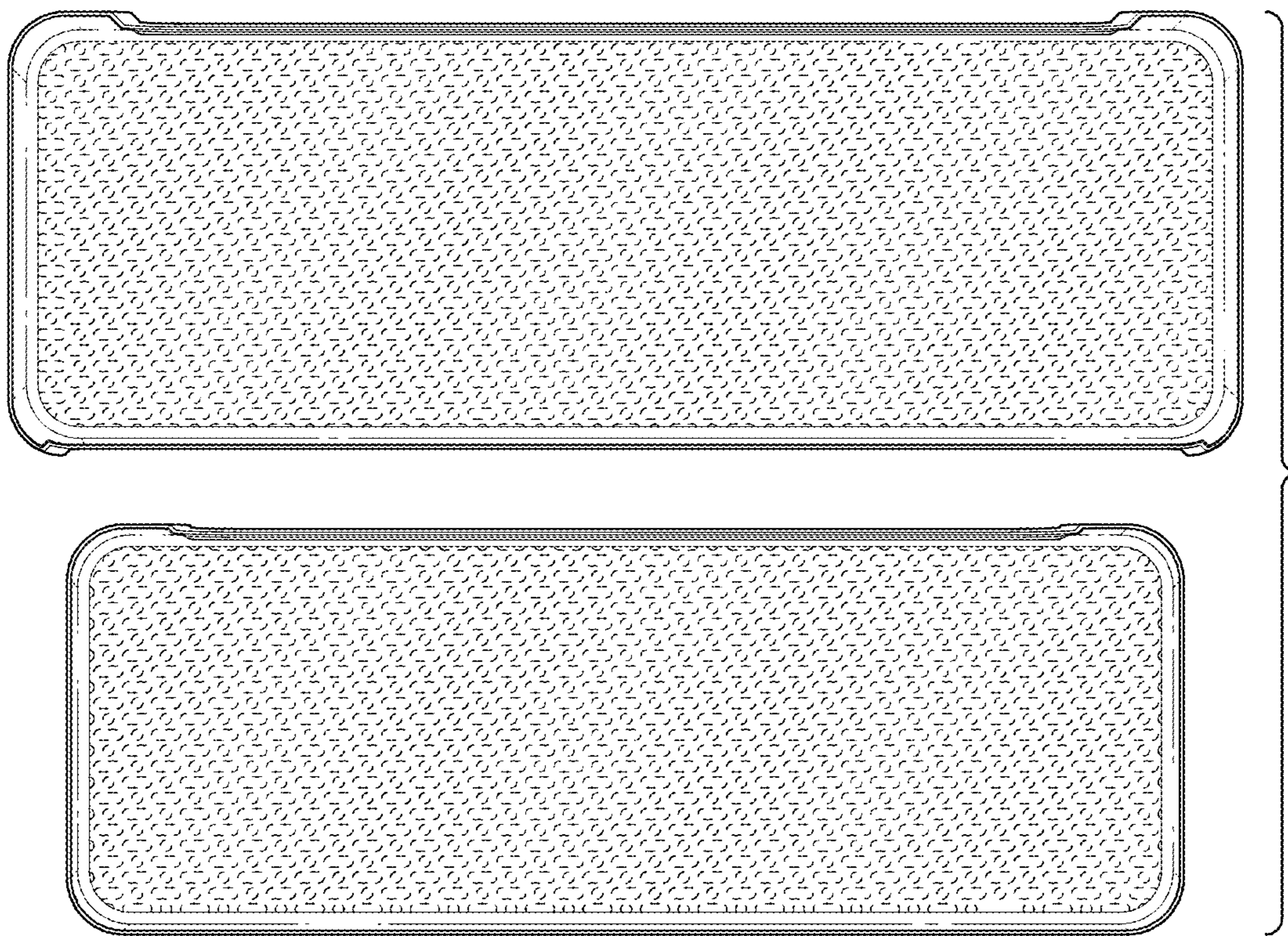


FIG. 7

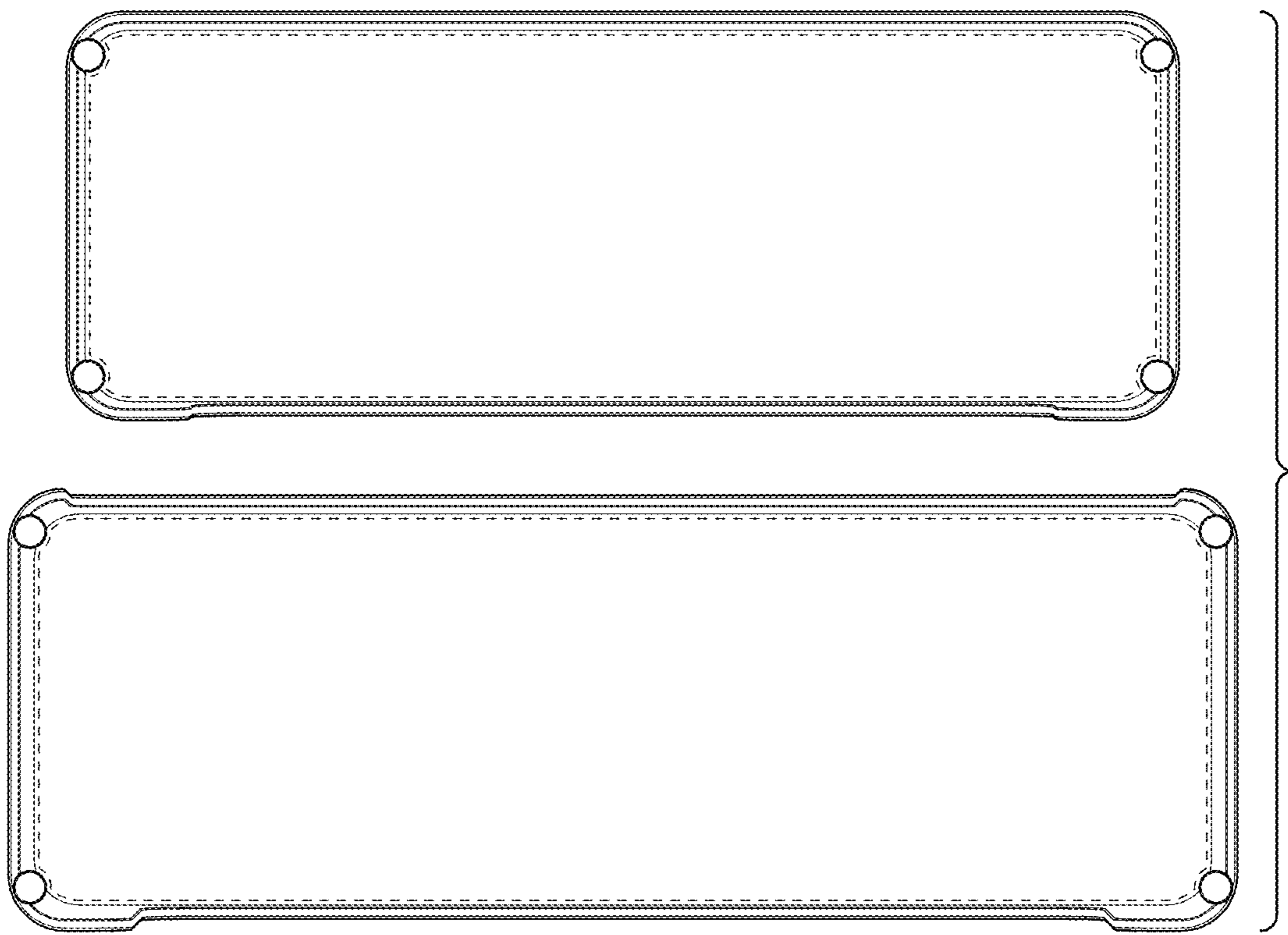


FIG. 8