

US00D946940S

(12) **United States Design Patent**
Yang

(10) **Patent No.:** **US D946,940 S**

(45) **Date of Patent:** **** Mar. 29, 2022**

(54) **DESKTOP BOOKSHELF**

(71) Applicant: **Meng Yang**, Anhui (CN)

(72) Inventor: **Meng Yang**, Anhui (CN)

(**) Term: **15 Years**

(21) Appl. No.: **29/785,115**

(22) Filed: **May 24, 2021**

(51) **LOC (13) Cl.** **06-06**

(52) **U.S. Cl.**
USPC **D6/675.1**

(58) **Field of Classification Search**
USPC D6/672, 675, 675.1, 675.2, 675.3, 675.4,
D6/675.5, 682

CPC A47F 1/00; A47F 5/0018; A47B 96/00;
A47B 96/02; A47B 47/00; A47B 47/042

See application file for complete search history.

(56) **References Cited**

U.S. PATENT DOCUMENTS

- D179,616 S * 1/1957 Steidel D6/678.2
- 6,378,707 B1 * 4/2002 Taggert A47B 65/00
- 211/186
- D540,067 S * 4/2007 Chung D6/675.3
- D545,086 S * 6/2007 Turco-Rivas D6/383
- D664,378 S 7/2012 Vu
- D694,557 S * 12/2013 Rodgers D6/675
- D712,685 S * 9/2014 Weatherly D6/653.1

- D777,481 S * 1/2017 Denby D6/675.3
- D831,364 S * 10/2018 Brown D25/63
- D848,768 S * 5/2019 Johnson D6/662.1
- D889,167 S * 7/2020 Allen D6/654.1
- D907,945 S * 1/2021 Chiang D6/675.1
- D916,538 S * 4/2021 Xiao D6/675.1
- D915,801 S 5/2021 Davis et al.
- D920,723 S * 6/2021 Cui D6/675.3
- D922,810 S * 6/2021 Belokin D6/678.1
- D931,022 S * 9/2021 Lin D6/675.1
- D935,245 S * 11/2021 Xiao D6/675.1

* cited by examiner

Primary Examiner — Kelley A Donnelly

(74) *Attorney, Agent, or Firm* — ScienBiziP, P.C.

(57) **CLAIM**

The ornamental design for a desktop bookshelf, as shown and described.

DESCRIPTION

FIG. 1 is a front, right, and top perspective view of a desktop bookshelf, showing my design.

FIG. 2 is a front elevation view thereof.

FIG. 3 is a rear elevation view thereof.

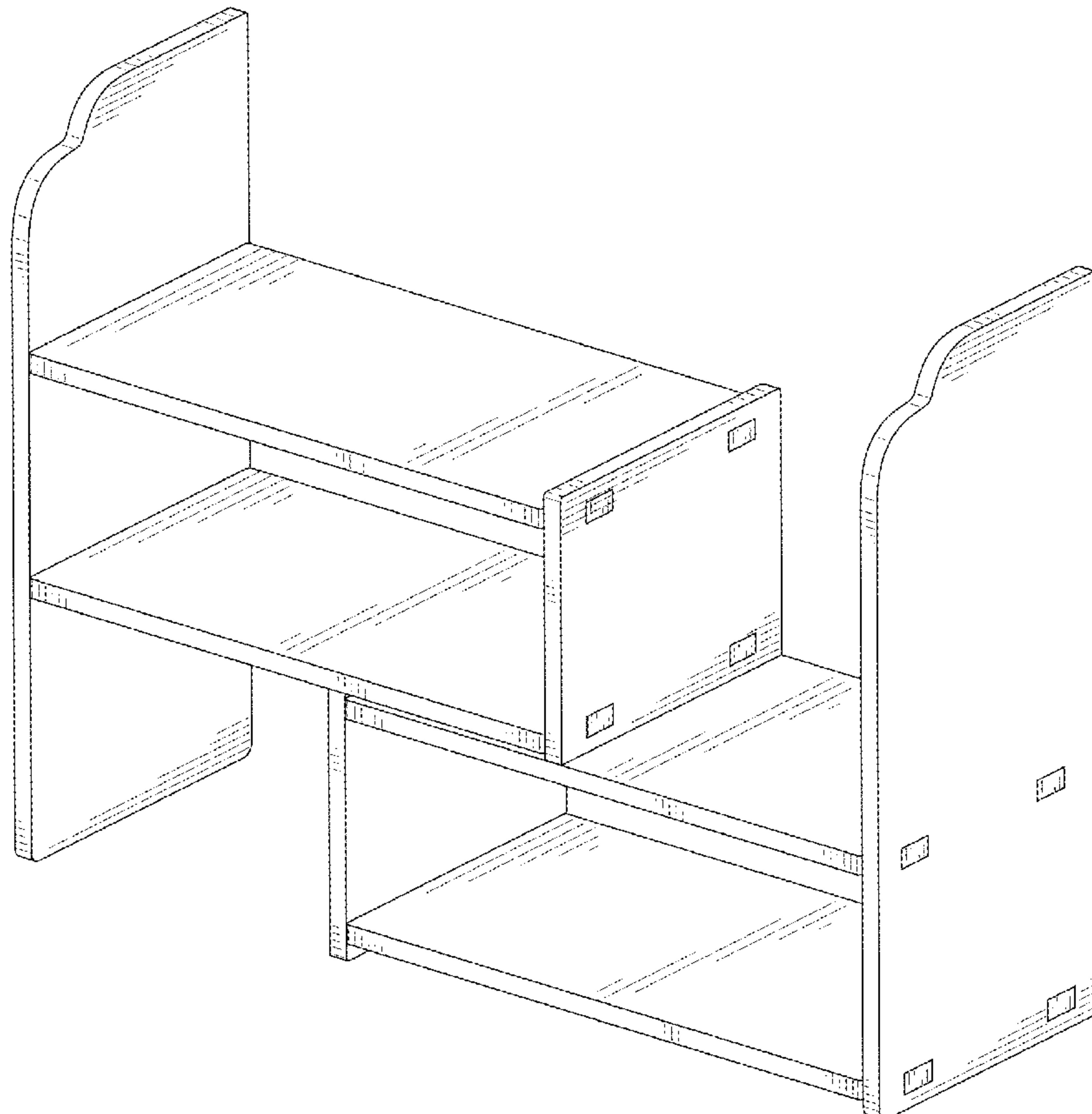
FIG. 4 is a left side elevation view thereof.

FIG. 5 is a right side elevation view thereof.

FIG. 6 is a top plan view thereof; and,

FIG. 7 is a bottom plan view thereof.

1 Claim, 7 Drawing Sheets



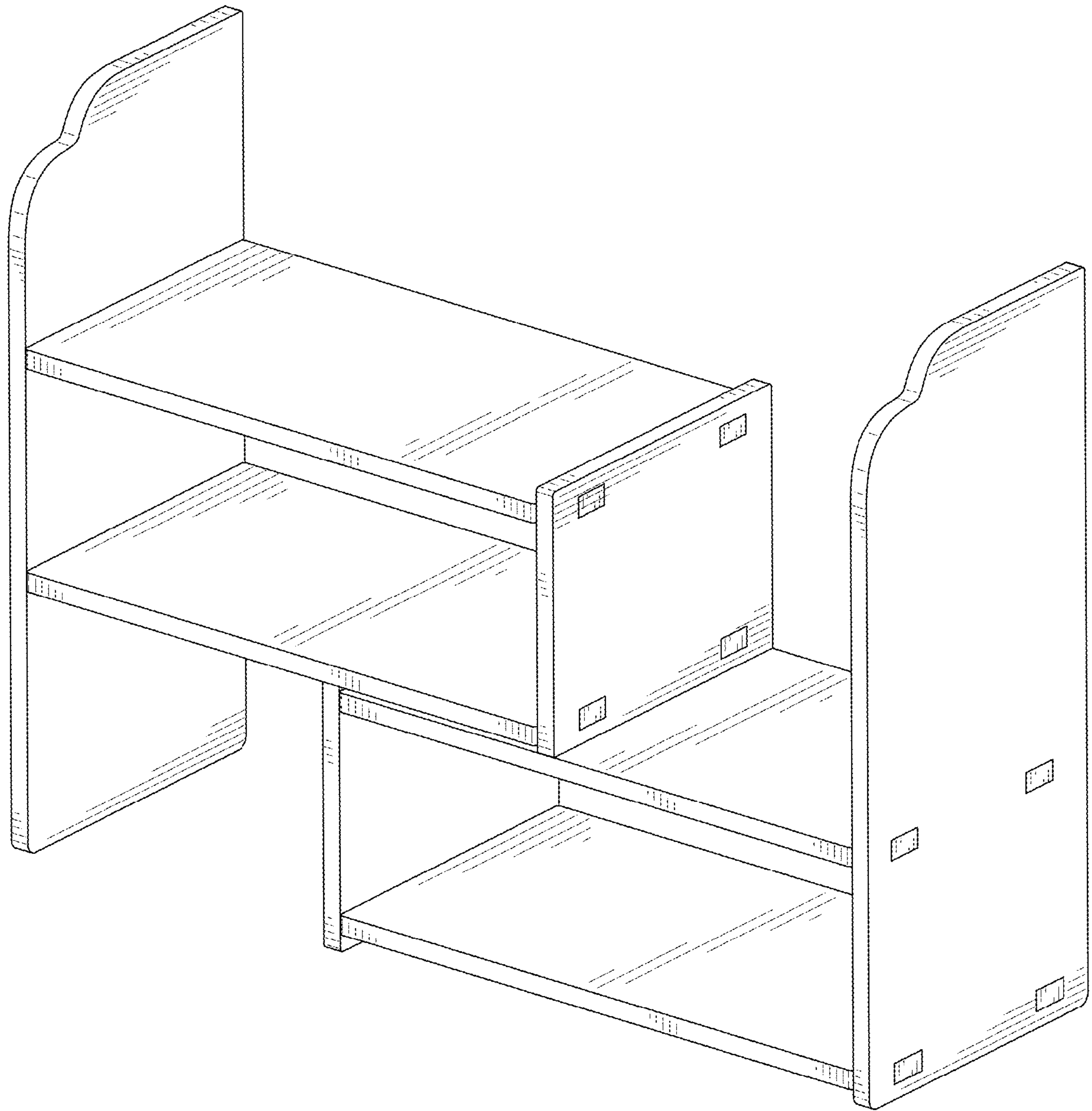


FIG. 1

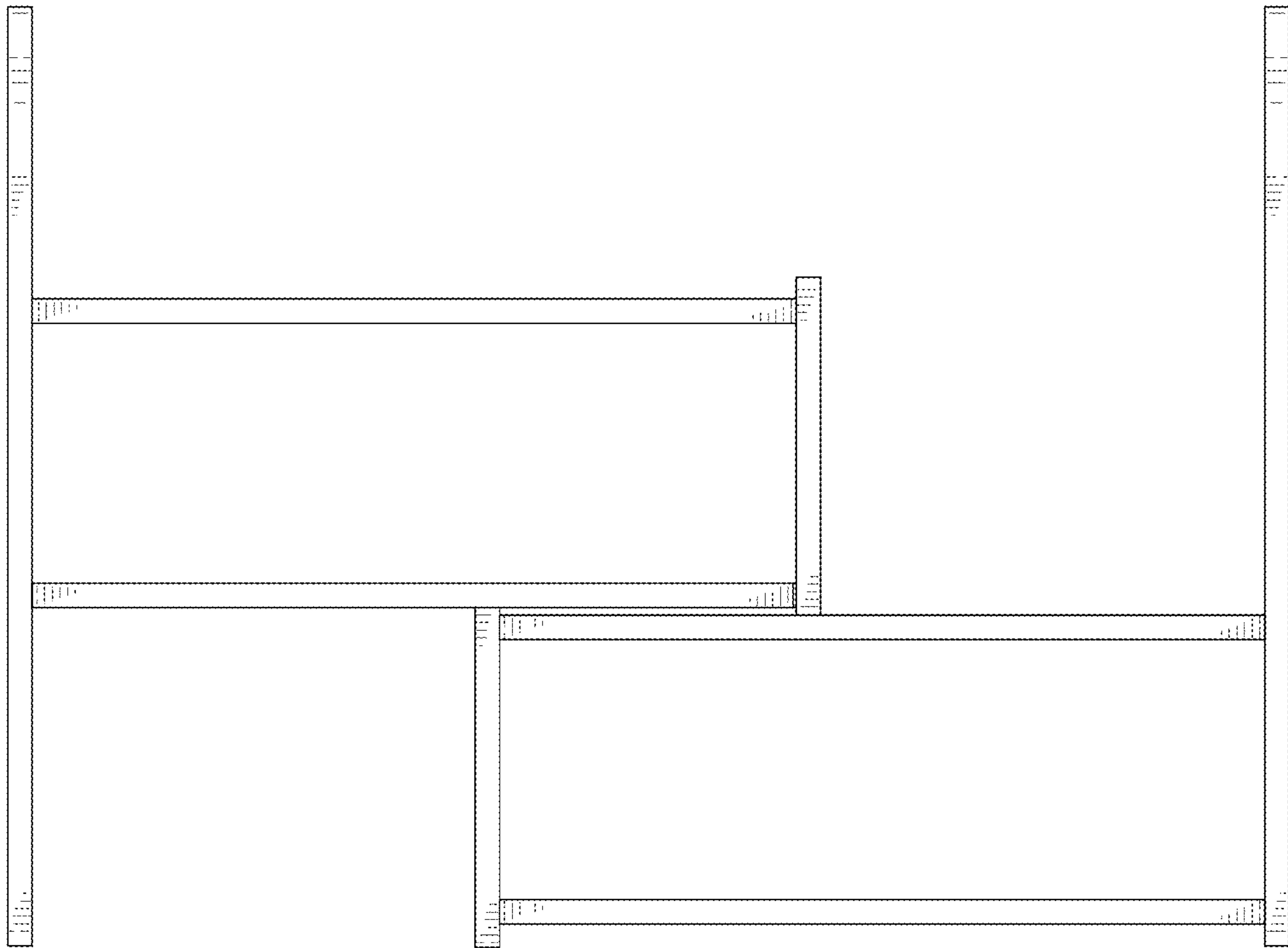


FIG. 2

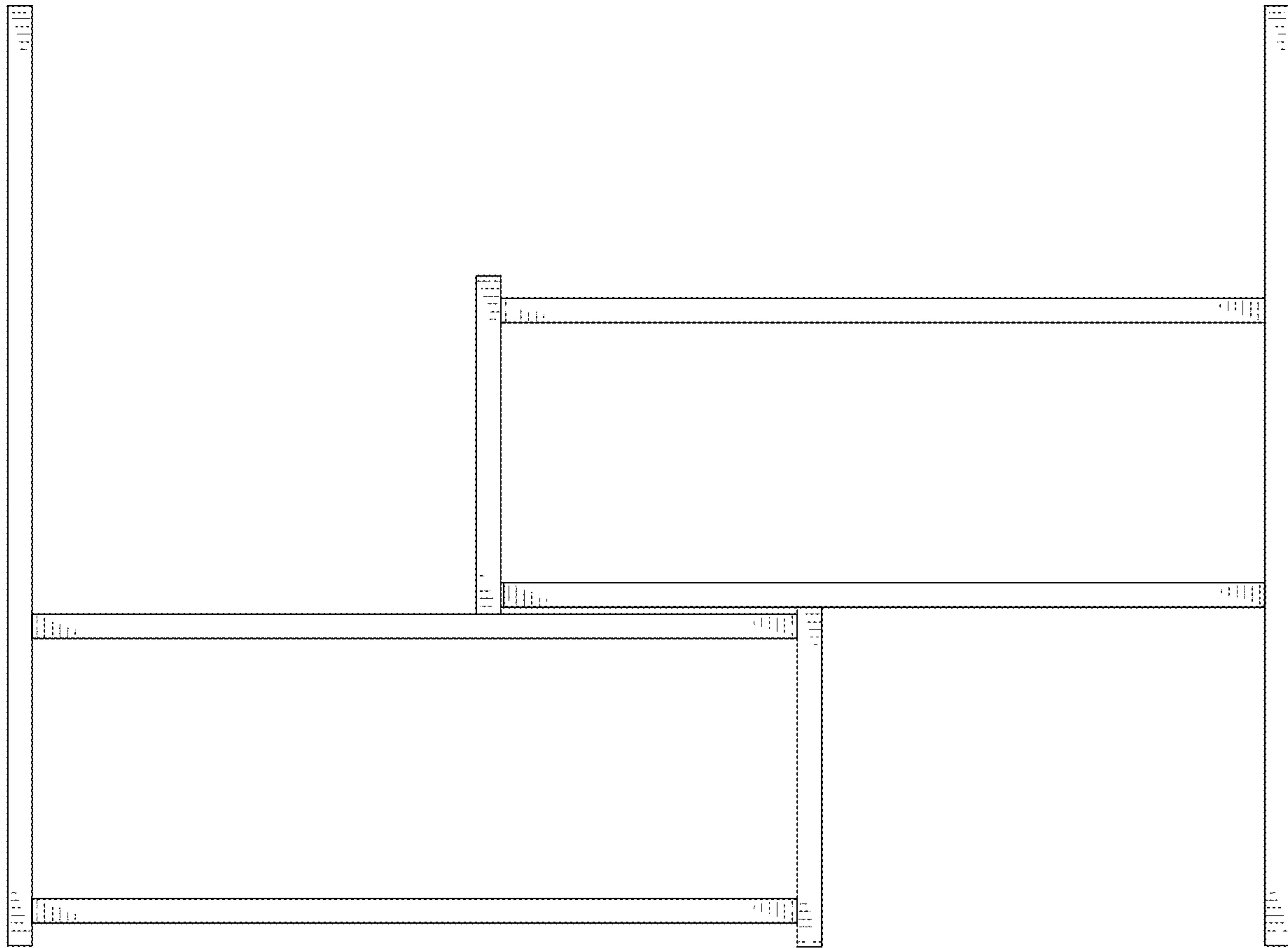


FIG. 3

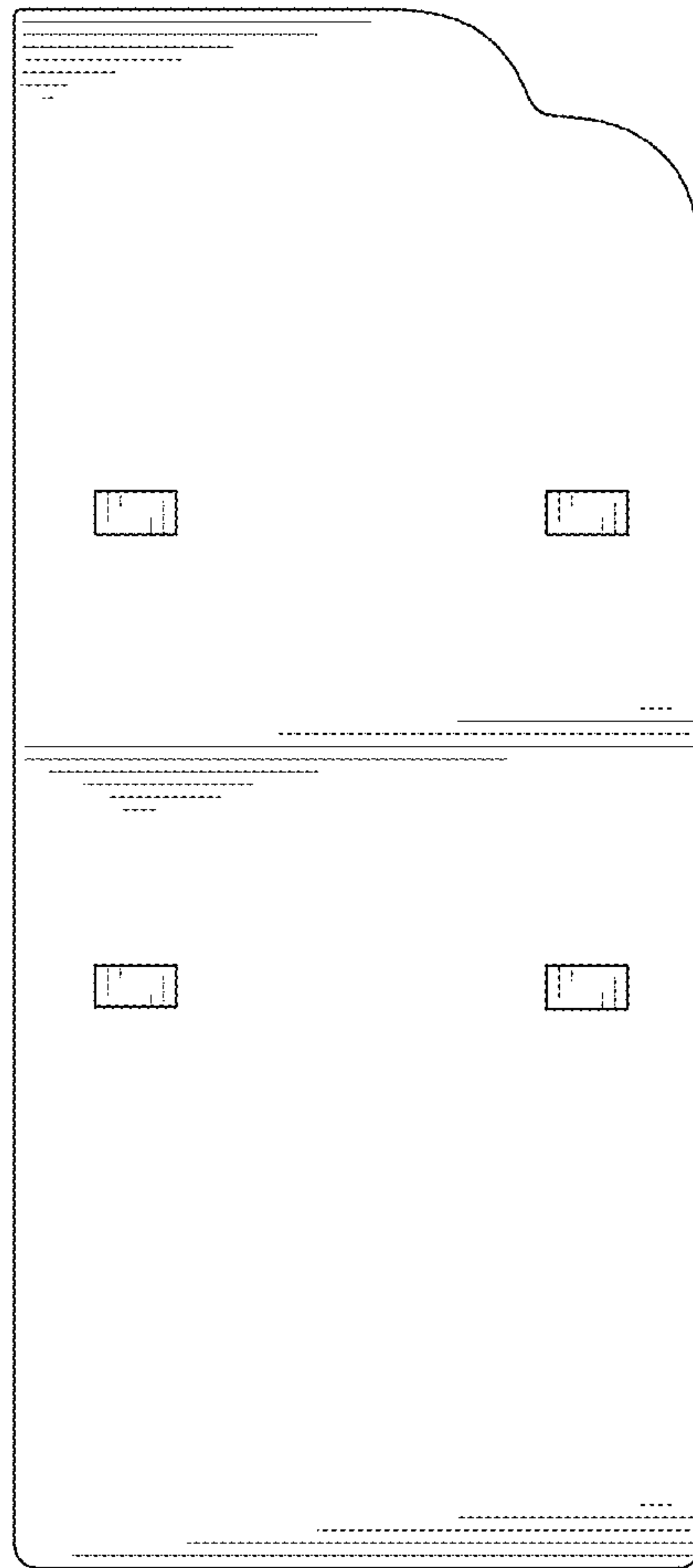


FIG. 4

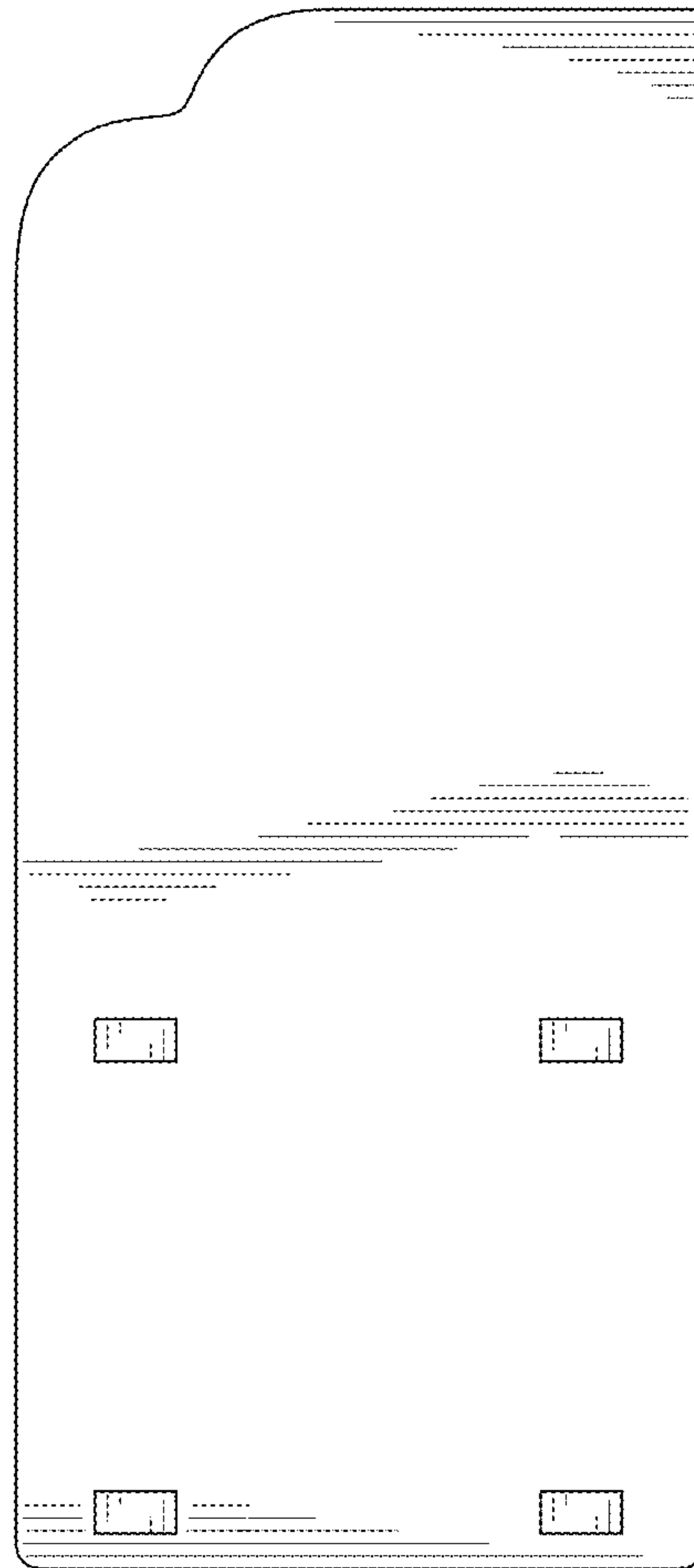


FIG. 5

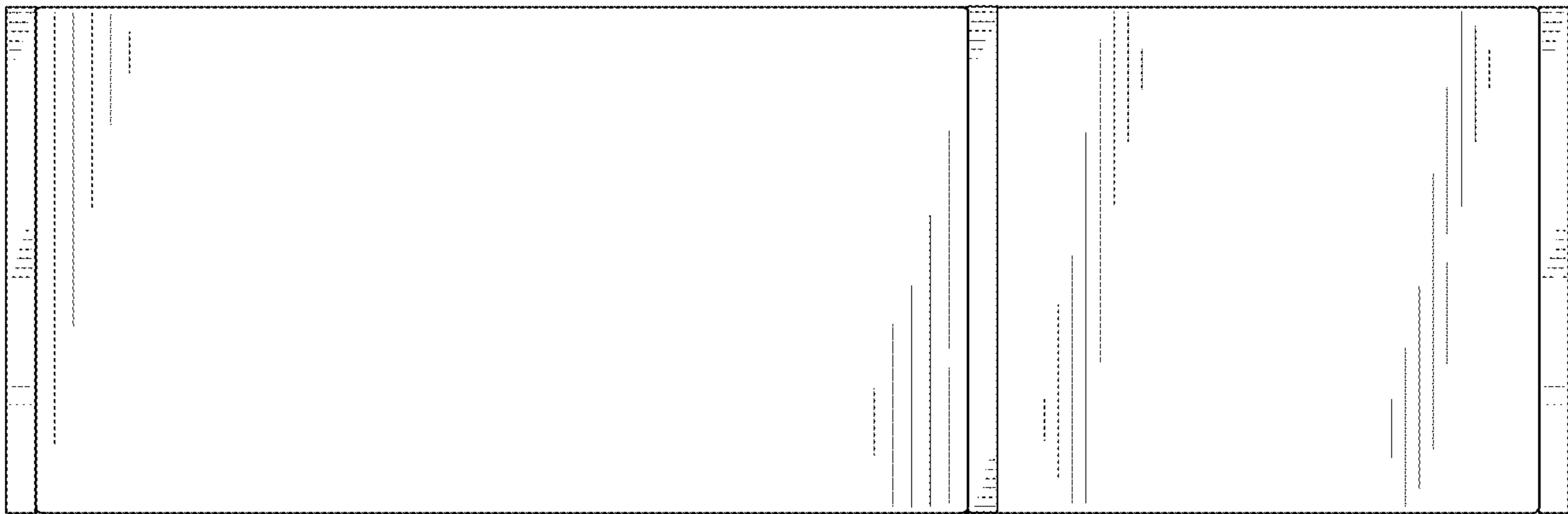


FIG. 6

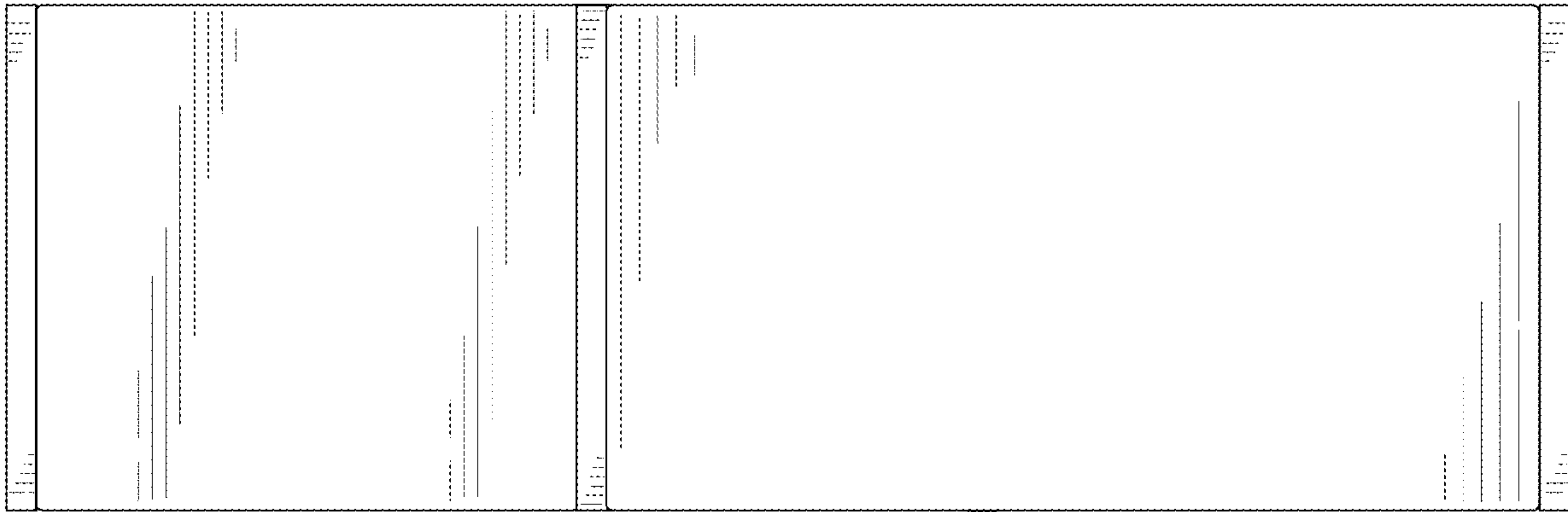


FIG. 7