



US00D946937S

(12) **United States Design Patent**
Li

(10) **Patent No.:** **US D946,937 S**
(45) **Date of Patent:** **** Mar. 29, 2022**

(54) **CABINET**

D716,075 S * 10/2014 Healy D6/657
D815,465 S * 4/2018 Hannoosh D6/657
D865,412 S 11/2019 Guo

(71) Applicant: **Xia Li**, Nanyang (CN)

(72) Inventor: **Xia Li**, Nanyang (CN)

(**) Term: **15 Years**

(21) Appl. No.: **29/777,365**

(22) Filed: **Apr. 6, 2021**

(51) **LOC (13) Cl.** **06-04**

(52) **U.S. Cl.**
USPC **D6/657**

(58) **Field of Classification Search**
USPC D6/657, 663, 664, 667, 671, 671.1,
D6/671.2, 671.3, 671.4, 703, 703.2,
D6/703.4, 691.9
CPC A47B 47/00; A47B 17/04; A47B 45/00;
A47B 47/03; A47B 47/04; A47B 63/00;
A47B 67/00; A47B 67/04; A47B 88/00;
A47B 88/40; A47B 88/42

See application file for complete search history.

(56) **References Cited**

U.S. PATENT DOCUMENTS

D82,622 S * 11/1930 Pauli D6/657
D103,894 S * 3/1937 Mandl D6/657
D558,483 S 1/2008 Bertch et al.
D572,039 S * 7/2008 Kreiss D6/657
D604,959 S * 12/2009 Good D6/657

OTHER PUBLICATIONS

Hyde Park One Drawer Nightstand (White Paint), from furniturepick.com, Retrieved Date: Feb. 15, 2022, p. 1, from <https://www.furniturepick.com/hyde-park-one-drawer-nightstand-white-paint-aspenhome-ap-i32-451n-wht.html> (Year: 2022).*

* cited by examiner

Primary Examiner — Mimosa De

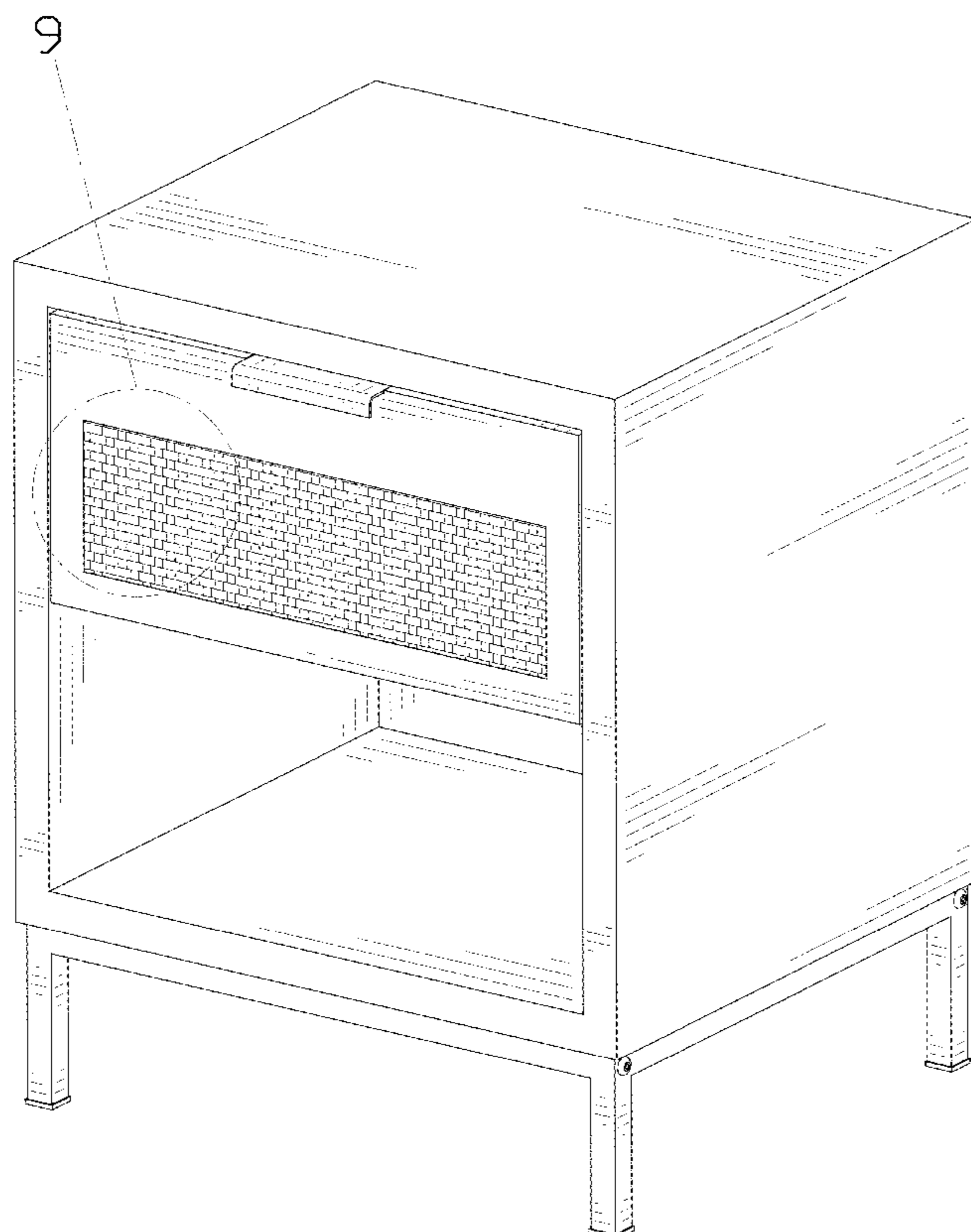
(57) **CLAIM**

The ornamental design for a cabinet, as shown and described.

DESCRIPTION

FIG. 1 is a perspective view of a cabinet showing my new design;
FIG. 2 is another perspective view thereof;
FIG. 3 is a front elevational view thereof;
FIG. 4 is a rear elevational view thereof;
FIG. 5 is a left side elevational view thereof;
FIG. 6 is a right side elevational view thereof;
FIG. 7 is a top plan view thereof;
FIG. 8 is a bottom plan view thereof; and,
FIG. 9 is an enlarged view of portion 9 shown in FIG. 1.

1 Claim, 9 Drawing Sheets



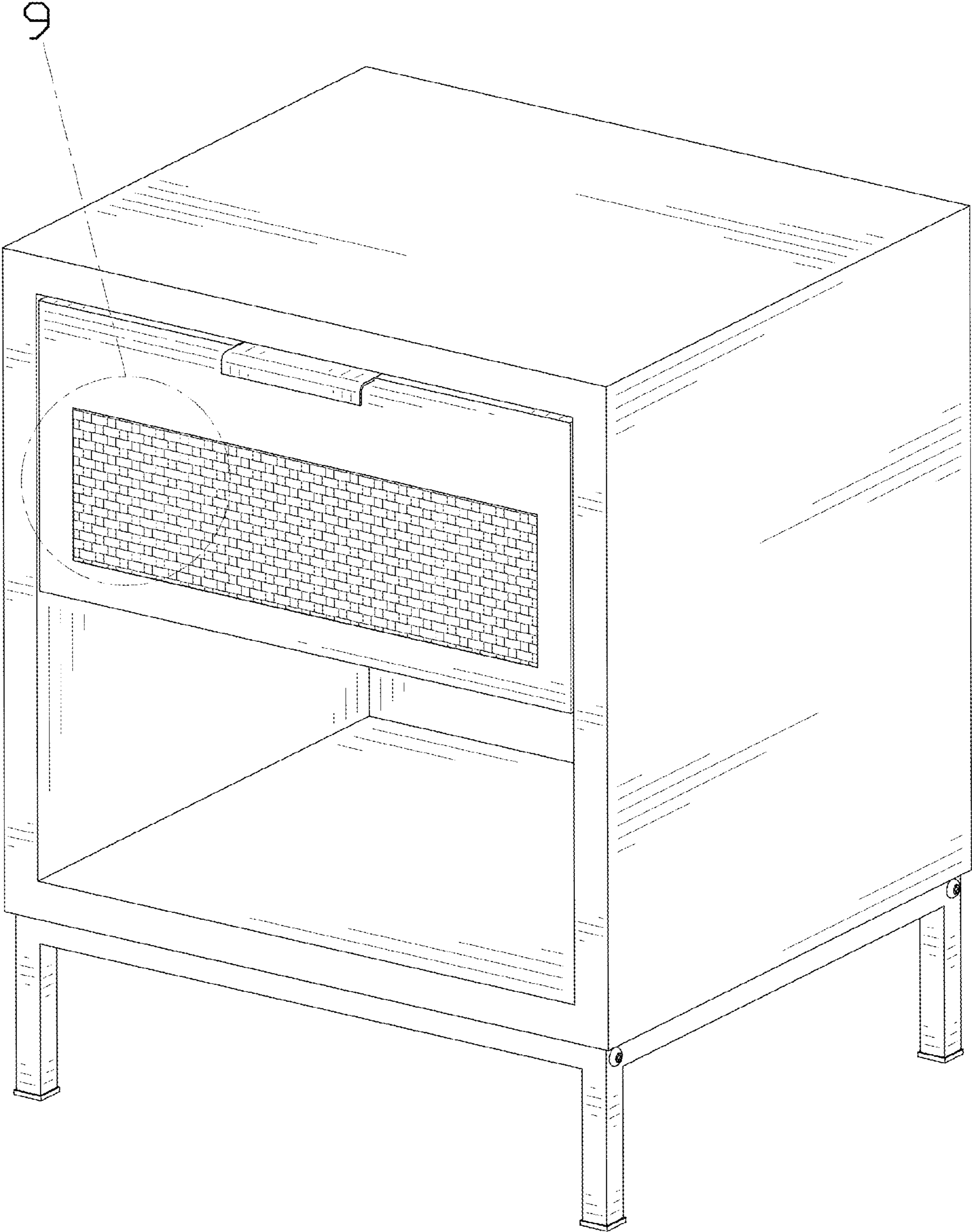


FIG. 1

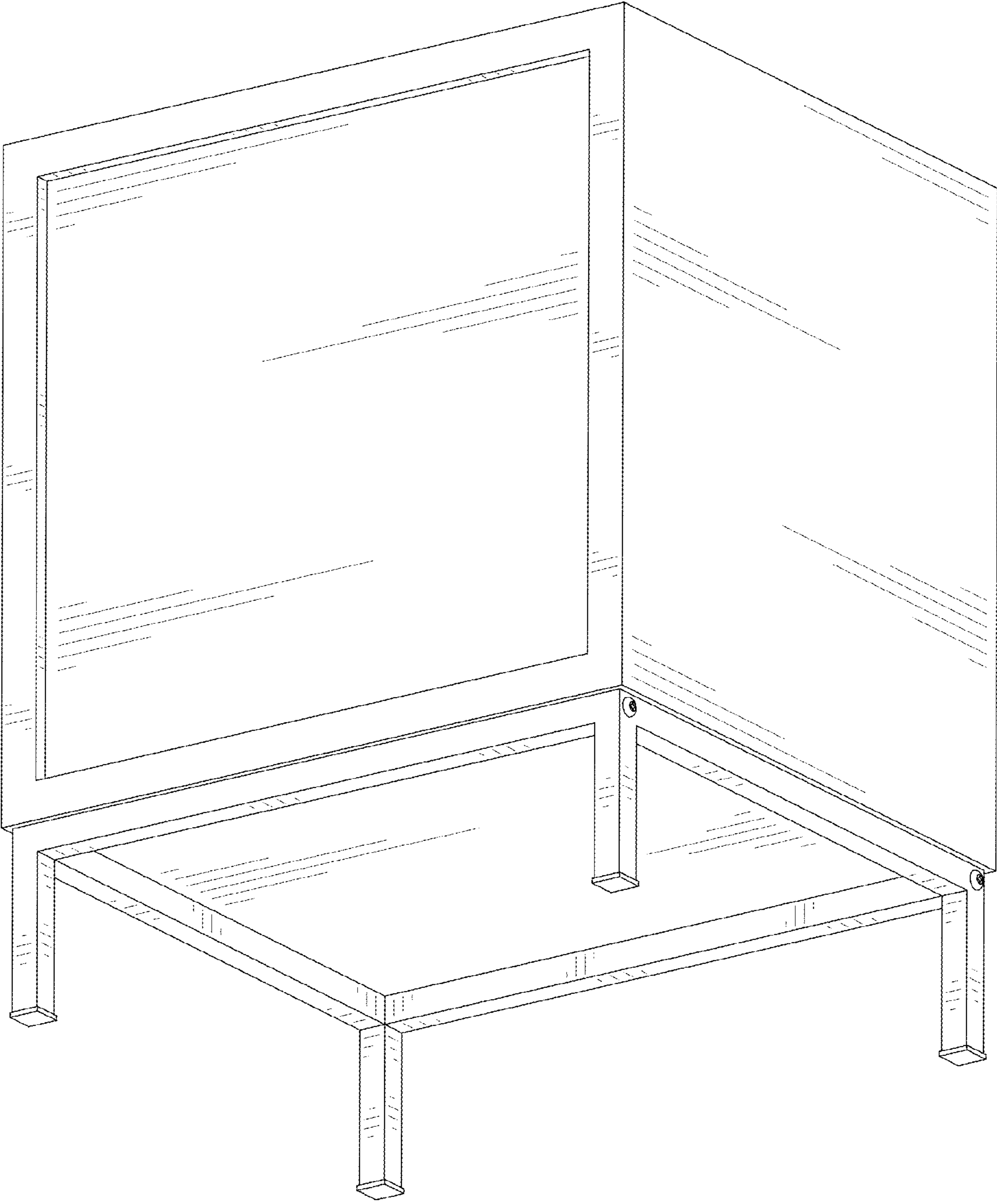


FIG. 2

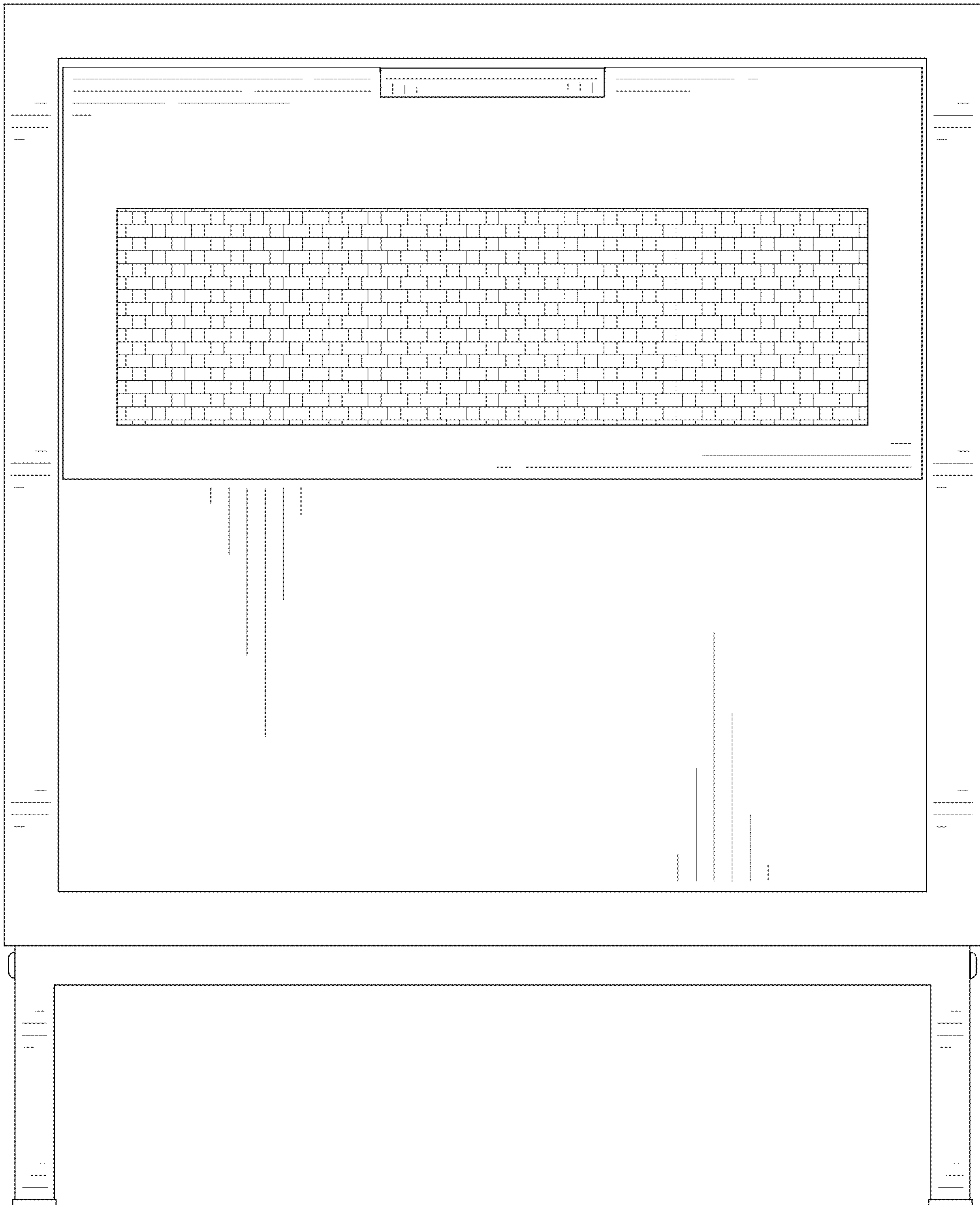


FIG. 3

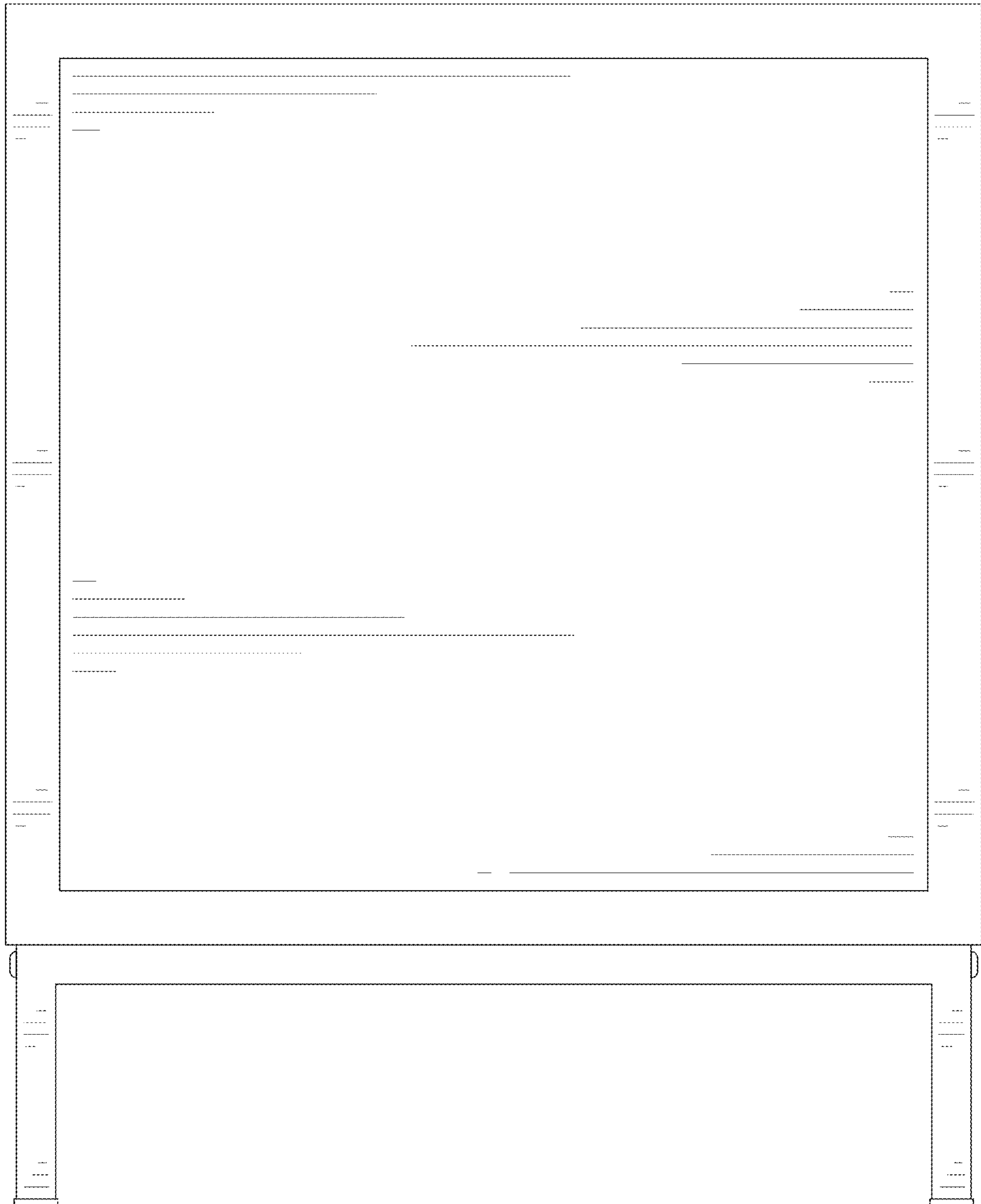


FIG. 4

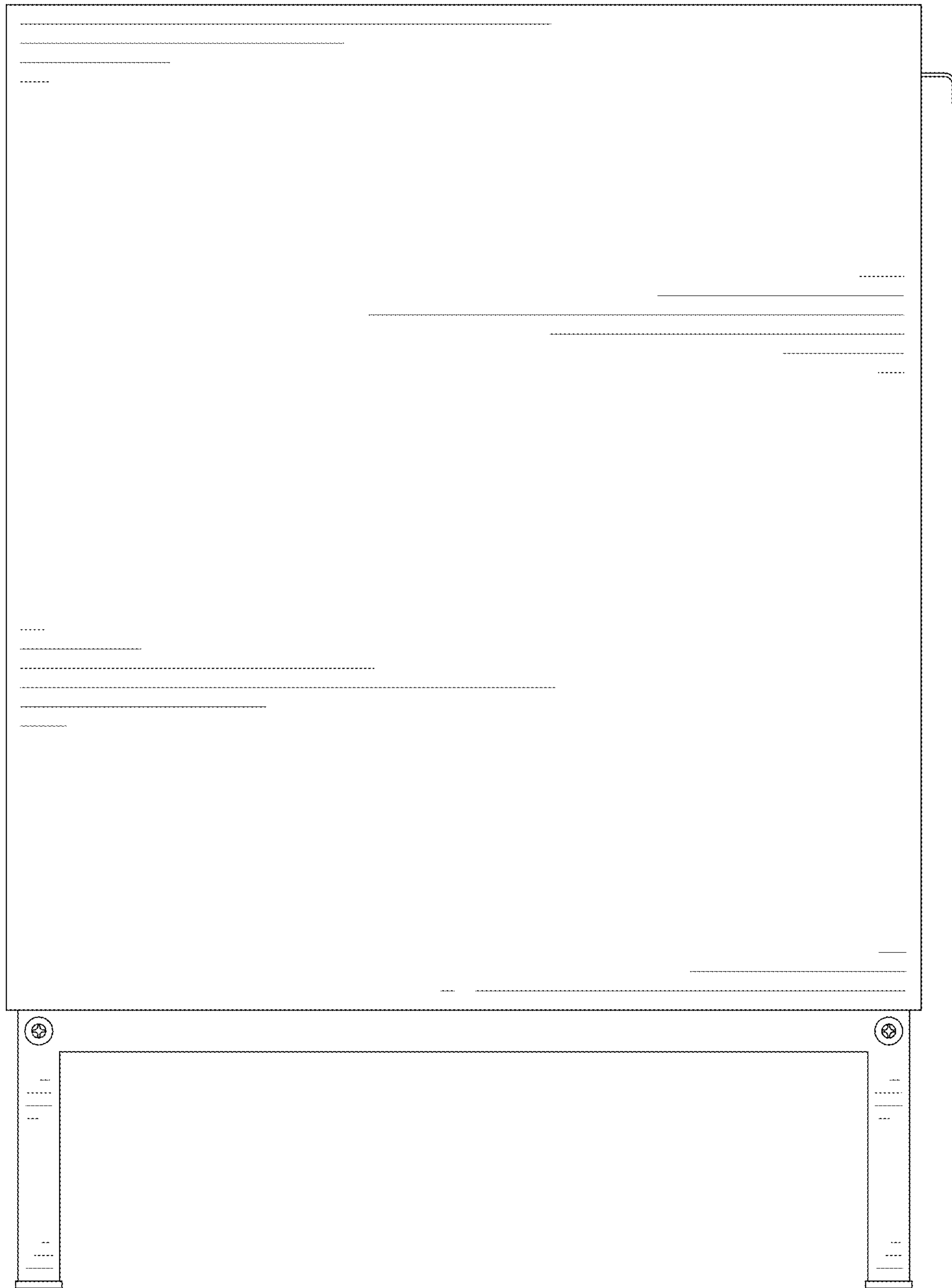


FIG. 5

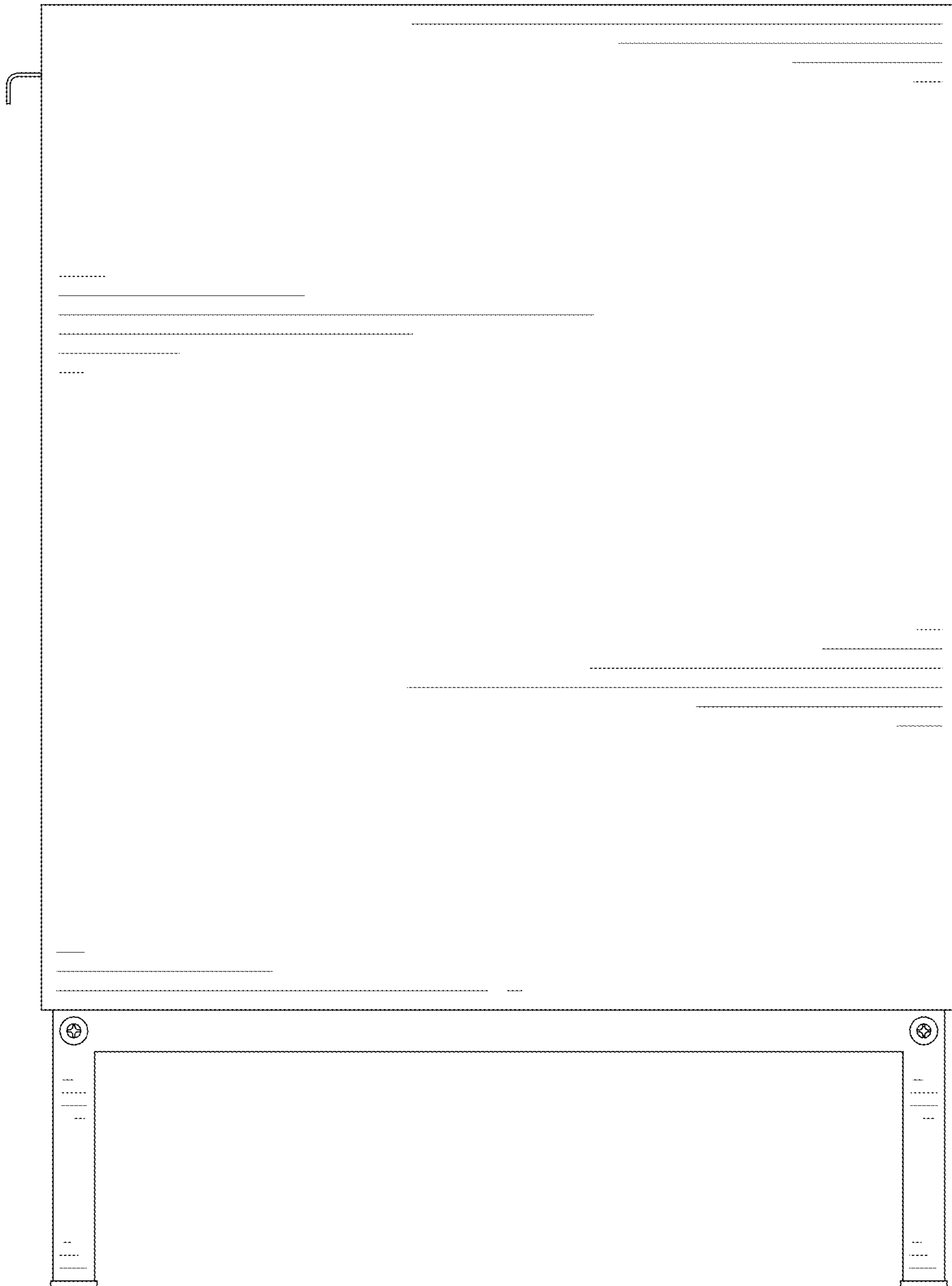


FIG. 6

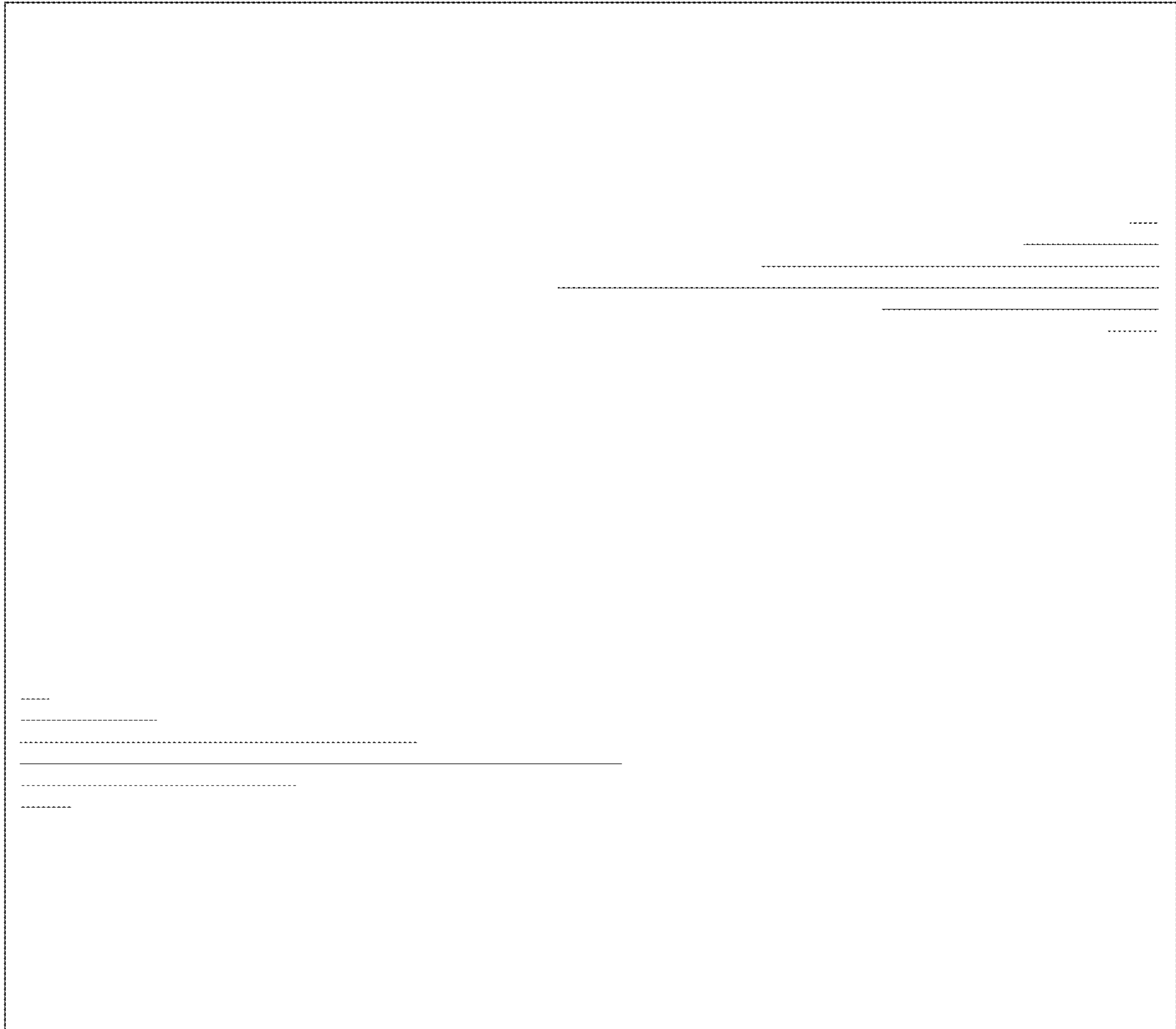


FIG. 7

FIG. 7

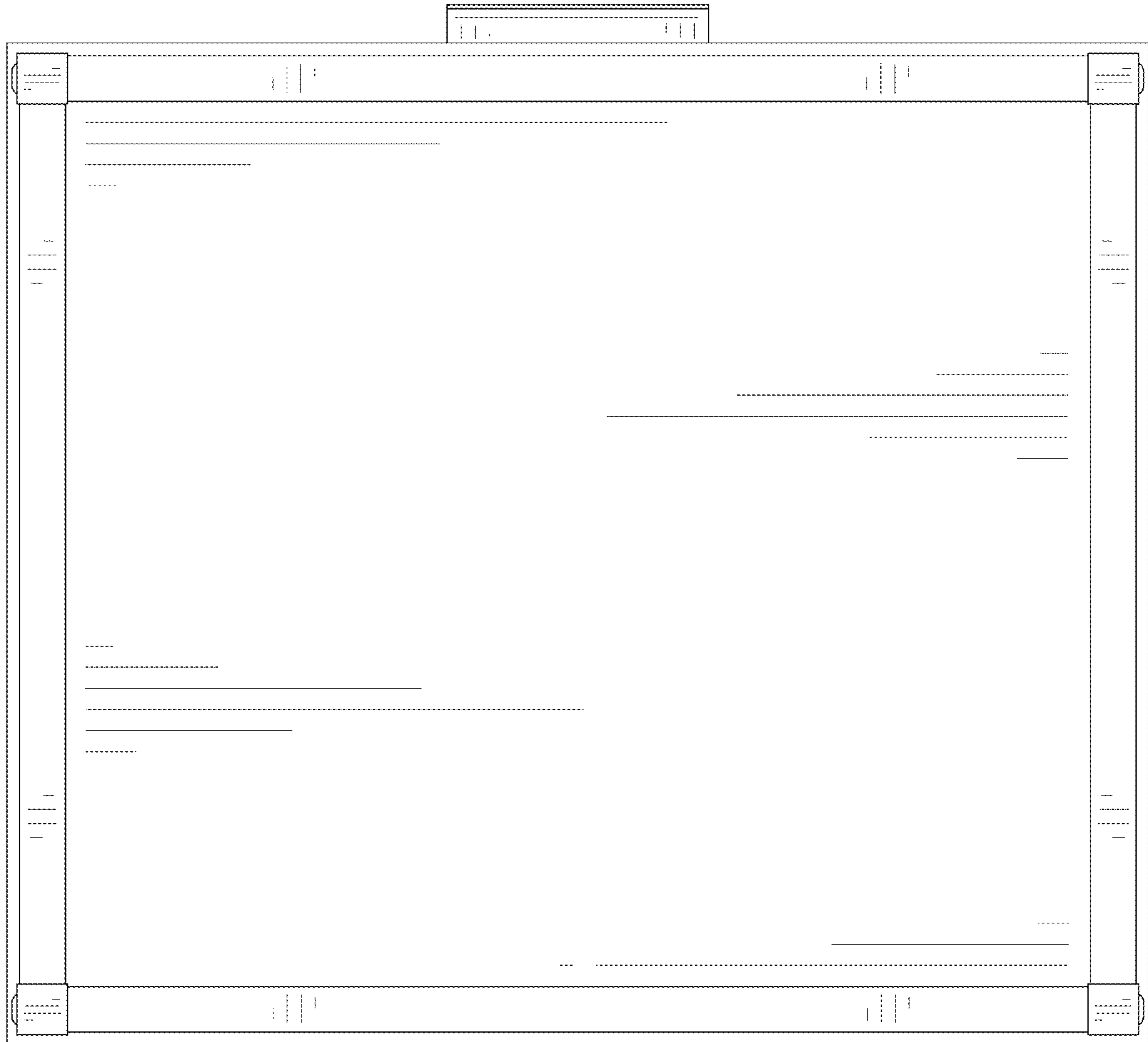


FIG. 8

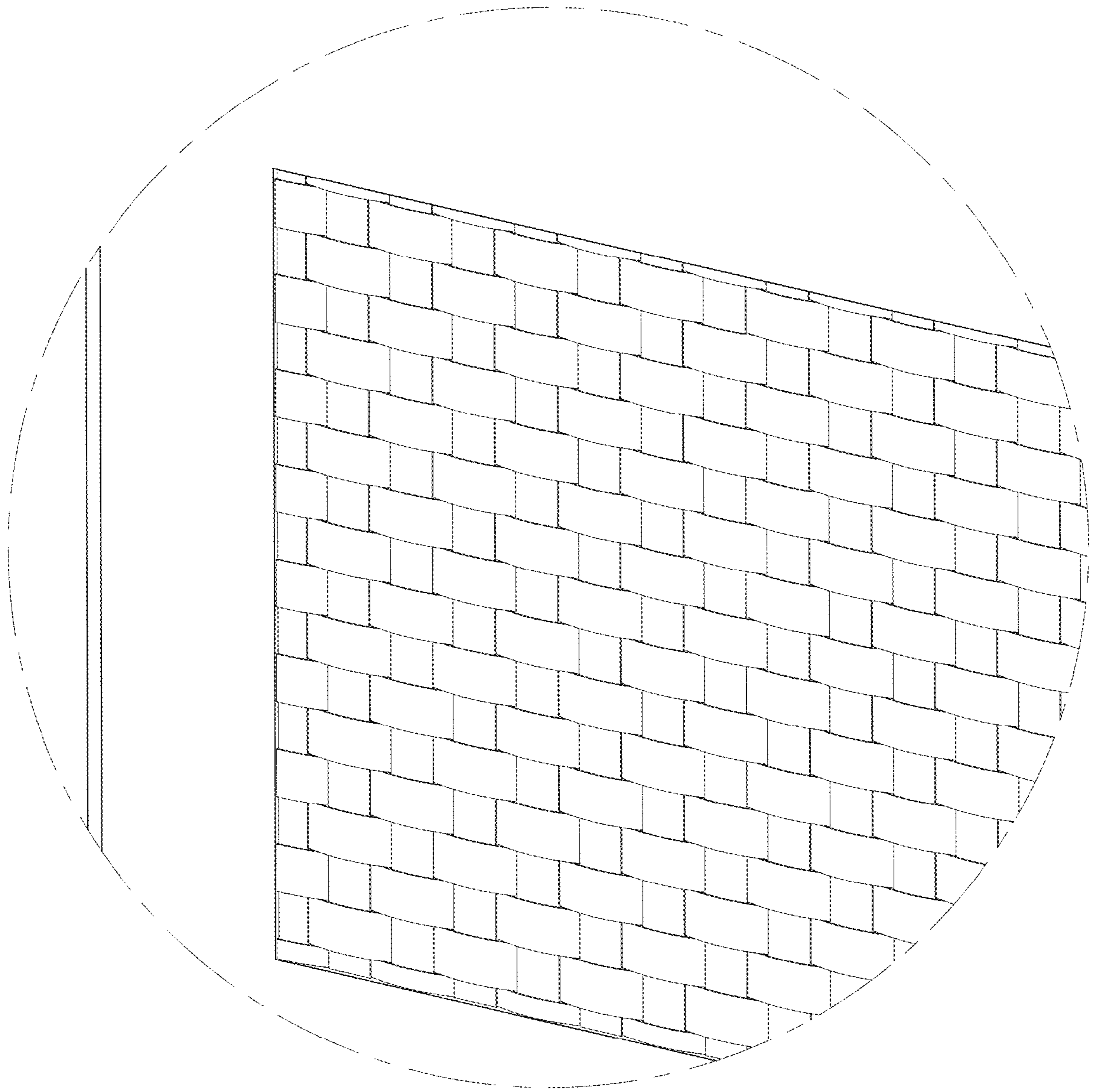


FIG. 9