



US00D946932S

(12) **United States Design Patent**
Amoyal et al.

(10) **Patent No.:** **US D946,932 S**
(45) **Date of Patent:** **** Mar. 29, 2022**

(54) **CUSHION**

(71) Applicant: **Studio Aroma Ltd.**, Beit Shemesh (IL)

(72) Inventors: **Golan Amoyal**, Kibutz Netiv Halamed Hey (IL); **Tom Vaisbord**, Rishon Lezion (IL)

(73) Assignee: **STUDIO AROMA LTD.**, Beit Shemesh (IL)

(**) Term: **15 Years**

(21) Appl. No.: **29/709,792**

(22) Filed: **Oct. 17, 2019**

(30) **Foreign Application Priority Data**

Apr. 17, 2019 (IL) 63646

(51) **LOC (13) Cl.** **06-09**

(52) **U.S. Cl.**
USPC **D6/601**

(58) **Field of Classification Search**
USPC D6/582-583, 587-592, 595-609,
D6/617-622; D21/803-809; D24/183
CPC A47G 9/00; A47G 2009/001; A47G
2009/002; A47G 2009/003; A47G 9/10;
A47G 9/1009; A47G 2009/1018; A47G
9/1045; A47G 9/1081; A47G 9/109
See application file for complete search history.

(56) **References Cited**

U.S. PATENT DOCUMENTS

D683,040 S * 5/2013 Arsenault D24/206
D783,313 S * 4/2017 Trubac D6/601

D911,069 S * 2/2021 Lin D6/601
D912,435 S * 3/2021 Ren D6/601
D925,747 S * 7/2021 Igaue D24/206
11,109,683 B2 * 9/2021 Deevers A47C 7/282
2013/0069414 A1 * 3/2013 Ko A47C 31/023
297/452.18

* cited by examiner

Primary Examiner — Jennifer L Rempfer

(74) *Attorney, Agent, or Firm* — Cowan, Liebowitz & Latman, P.C.; Anastasia Zhadina

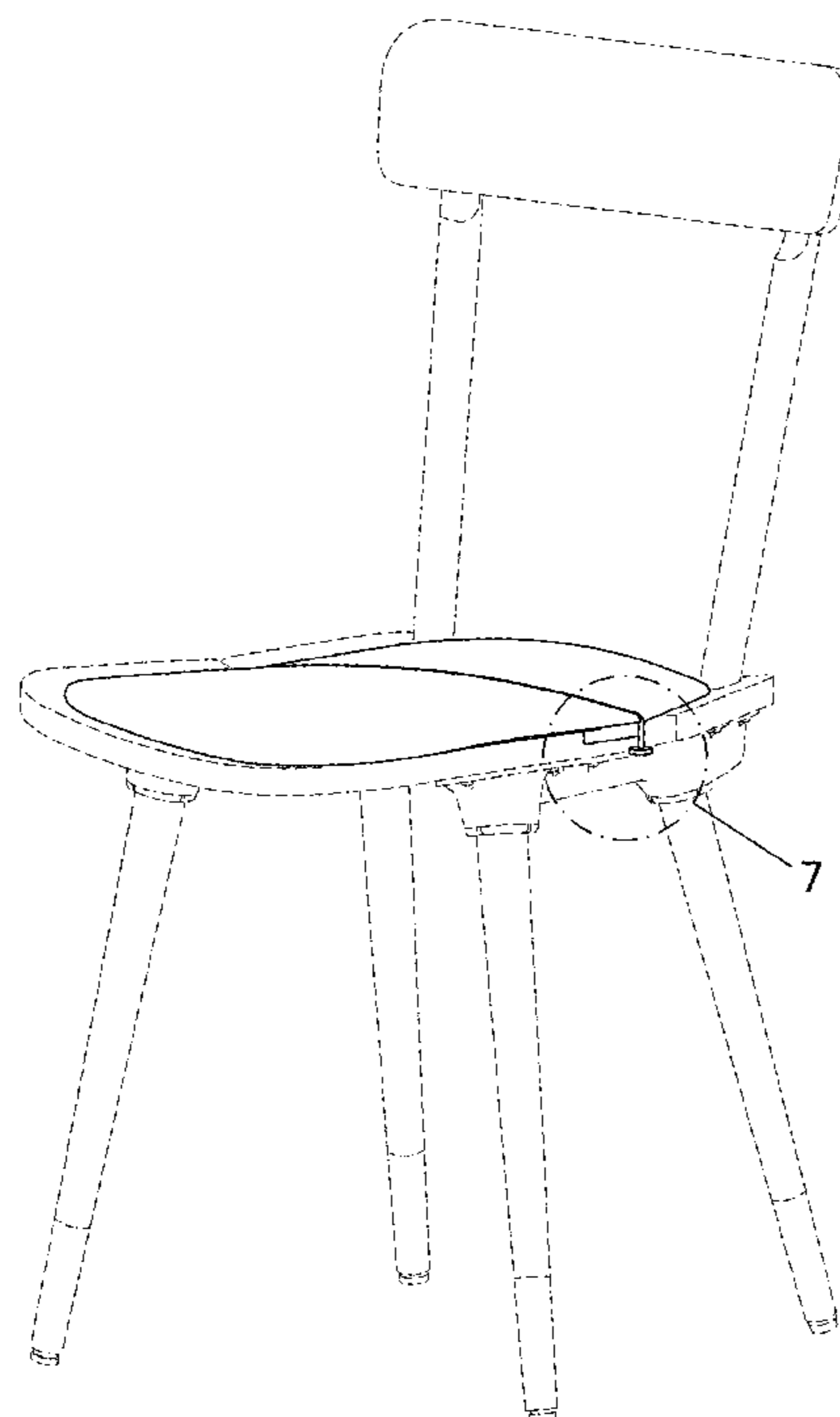
(57) **CLAIM**

The ornamental design for a cushion, as shown and described.

DESCRIPTION

FIG. 1 is a front view of the cushion showing my design; FIG. 2 is a back view thereof; FIG. 3 is a side view thereof; FIG. 4 is a top view thereof; FIG. 5 is a bottom view thereof; FIG. 6 is a front perspective view thereof; FIG. 7 is an enlarged view of a circled portion in FIG. 6; FIG. 8 is a bottom perspective view thereof; and, FIG. 9 is an enlarged view of a circled portion in FIG. 8. A chair shown using shorter broken lines in the drawings illustrates the environment and exemplary positioning of the cushion relative to the chair, and forms no part of the claimed design. Longer dashed lines in FIGS. 6 and 8 surround portions of the figures to show where the enlarged views of FIGS. 7 and 9 were taken.

1 Claim, 7 Drawing Sheets



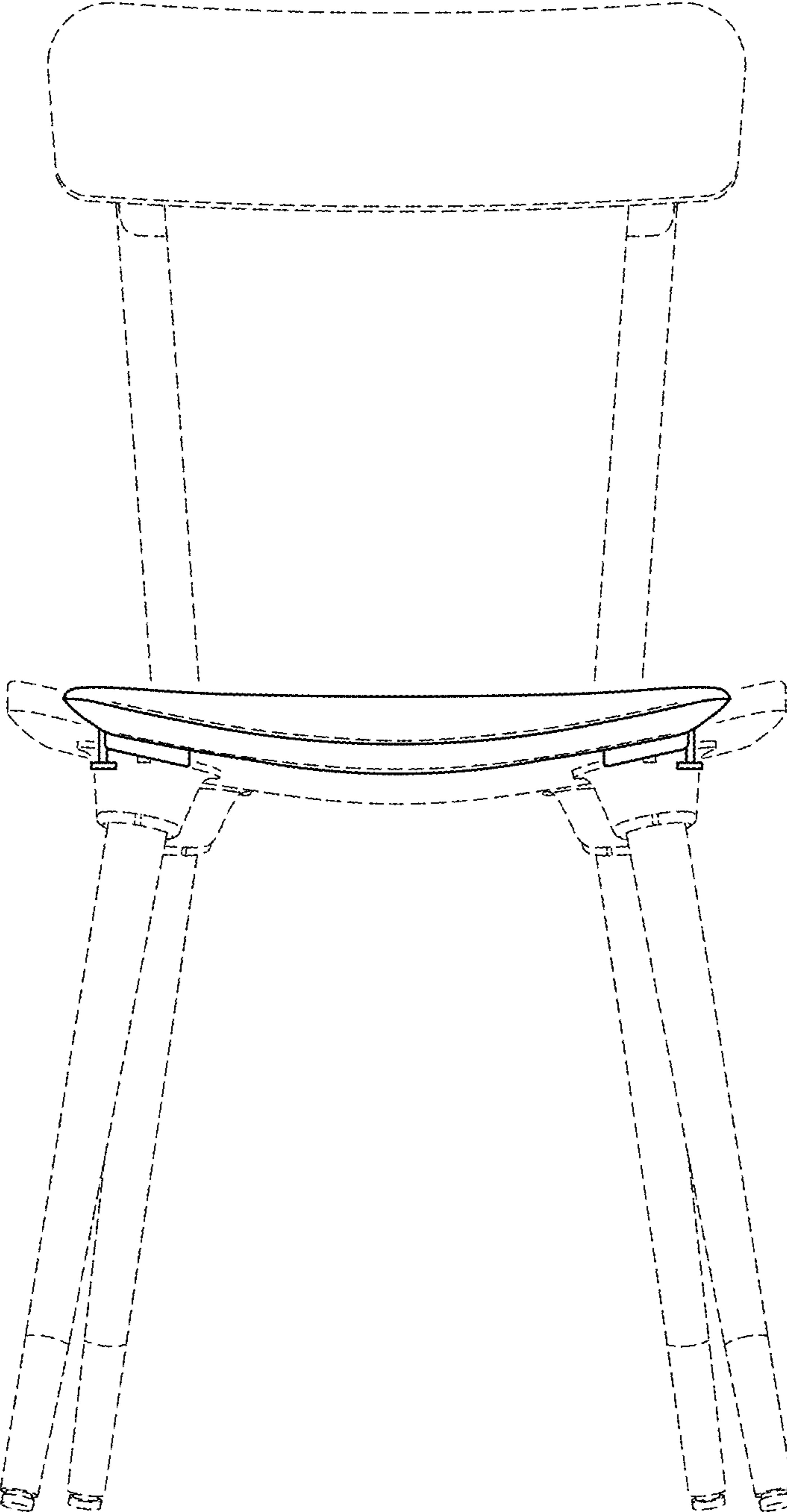


FIG. 1

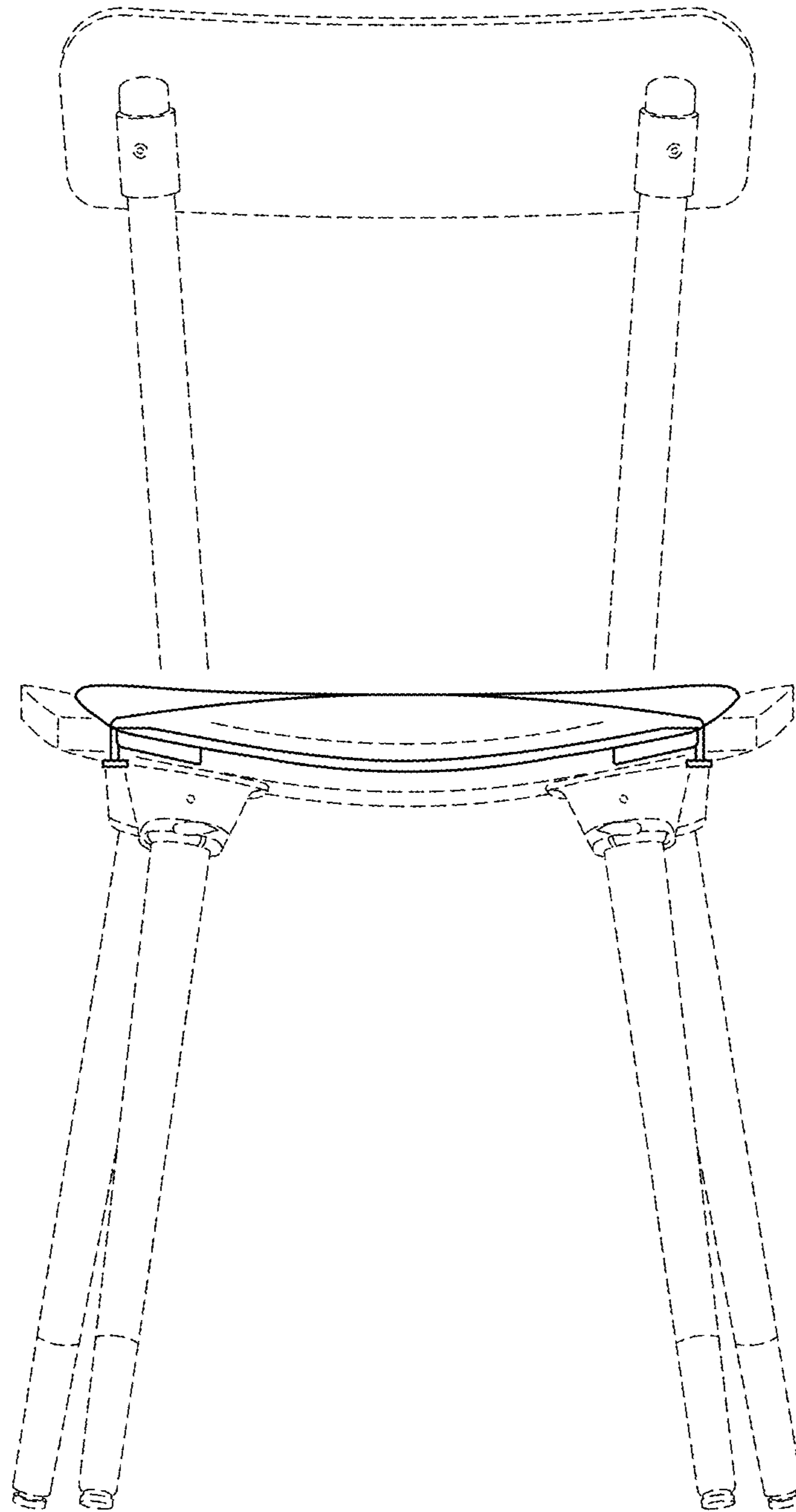


FIG. 2

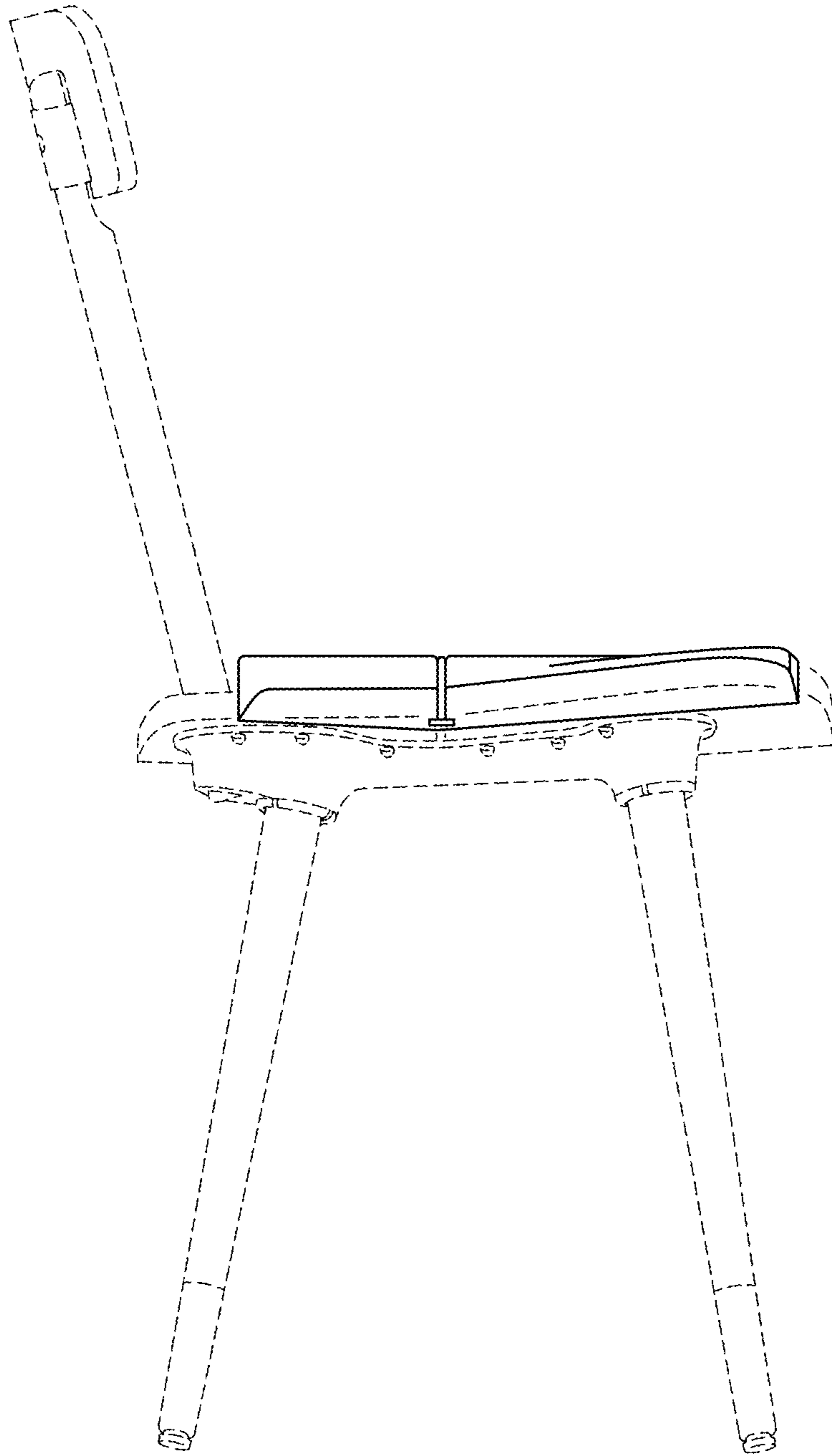


FIG. 3

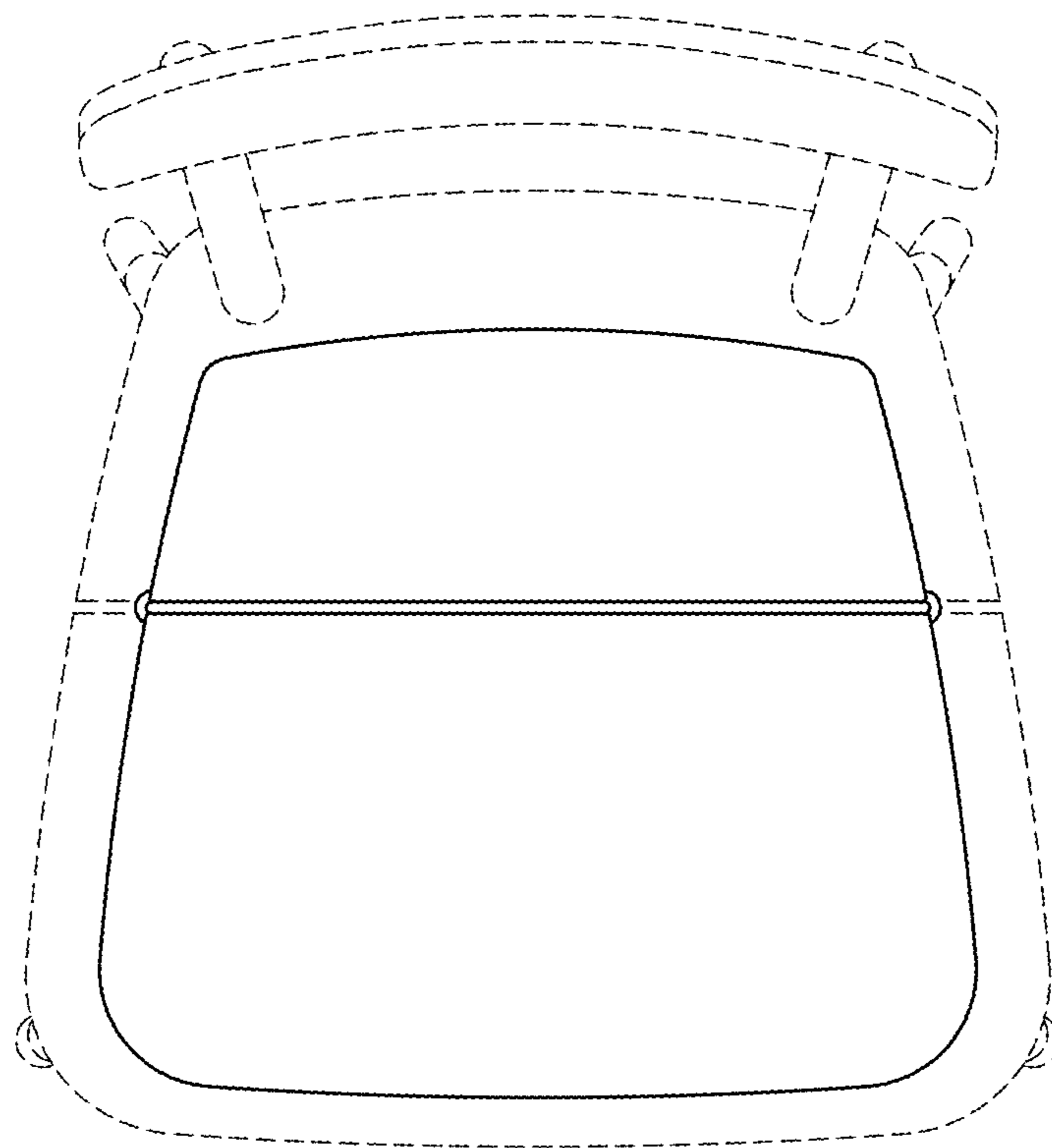


FIG. 4

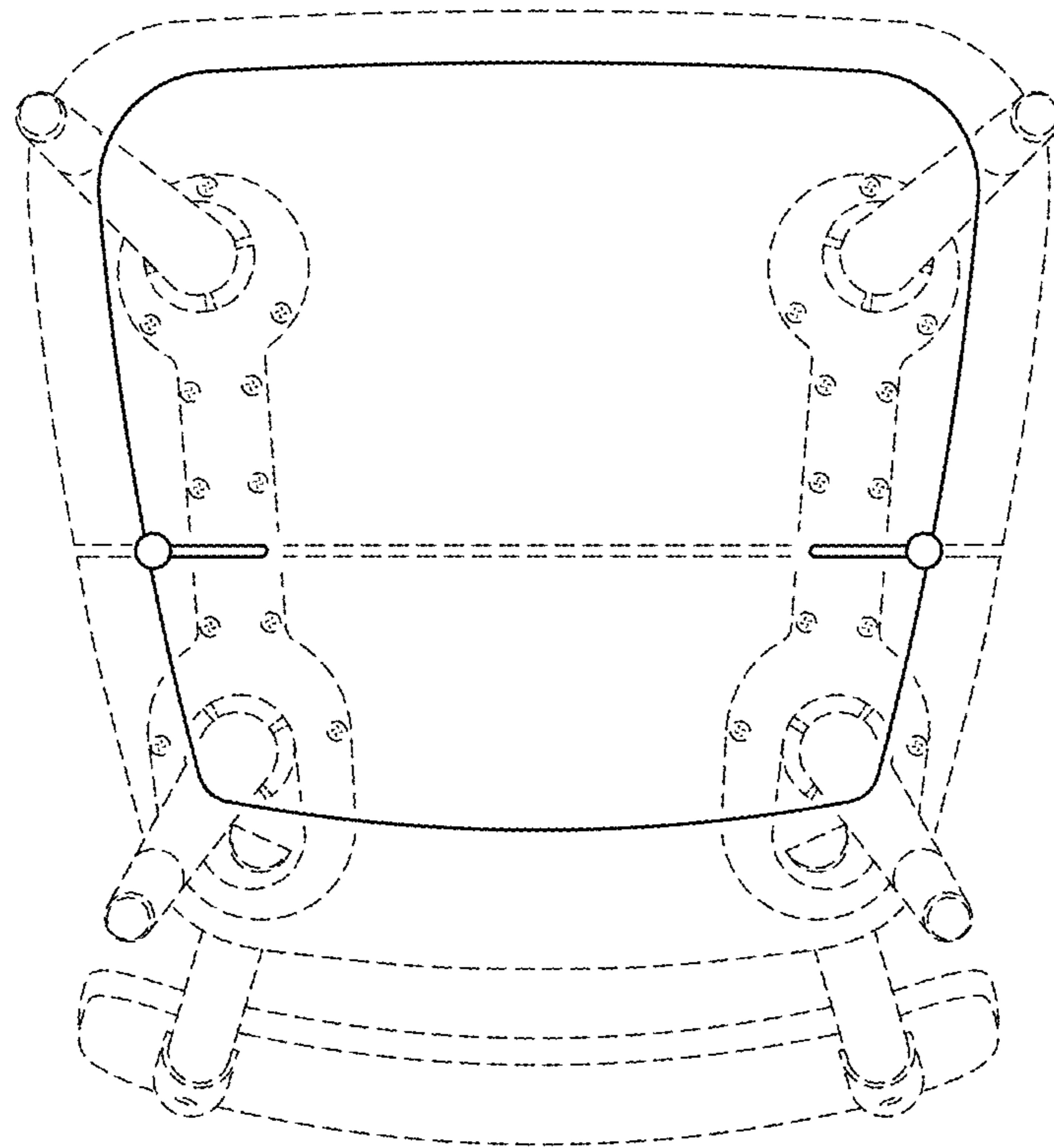


FIG. 5

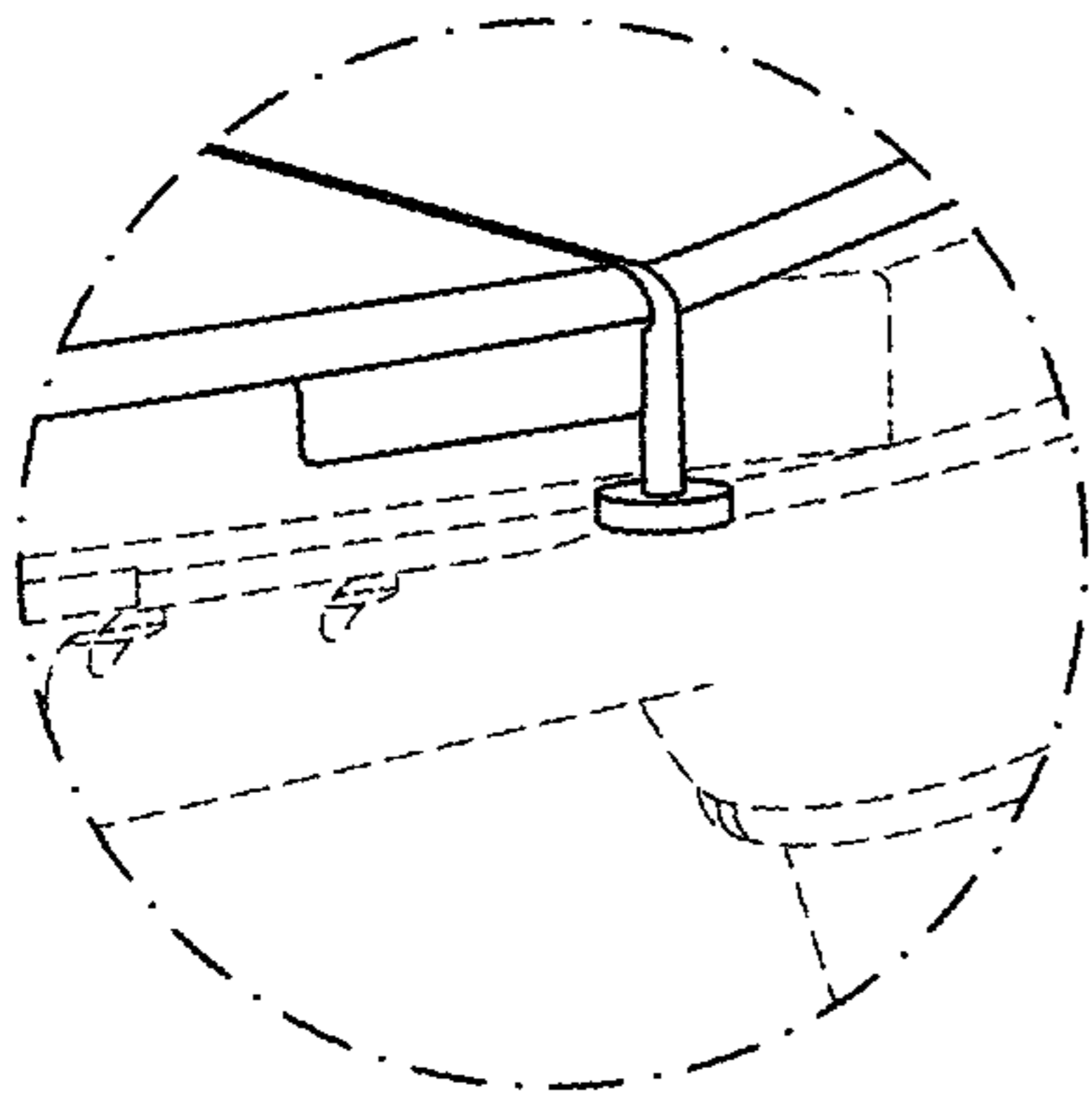


FIG. 7

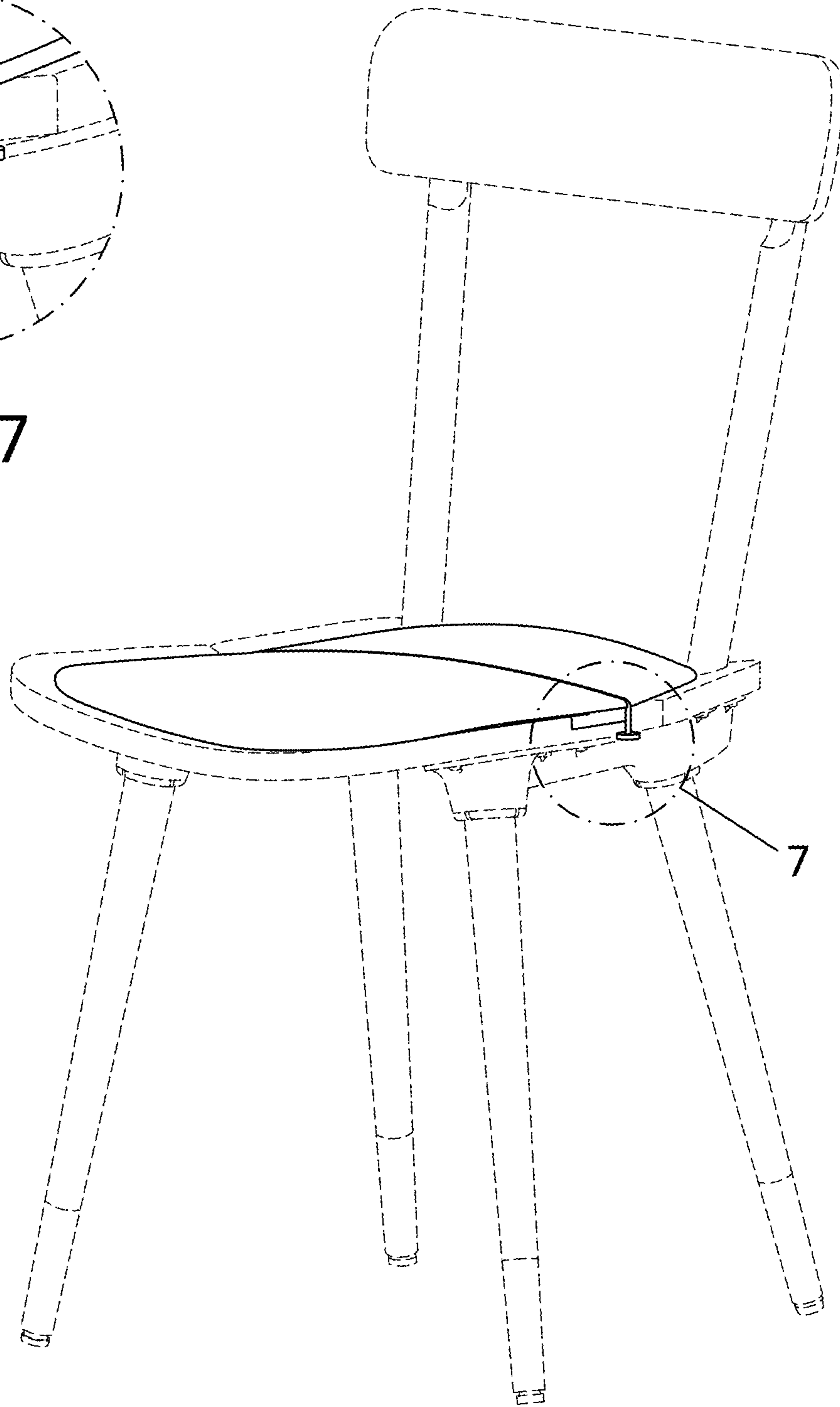


FIG. 6

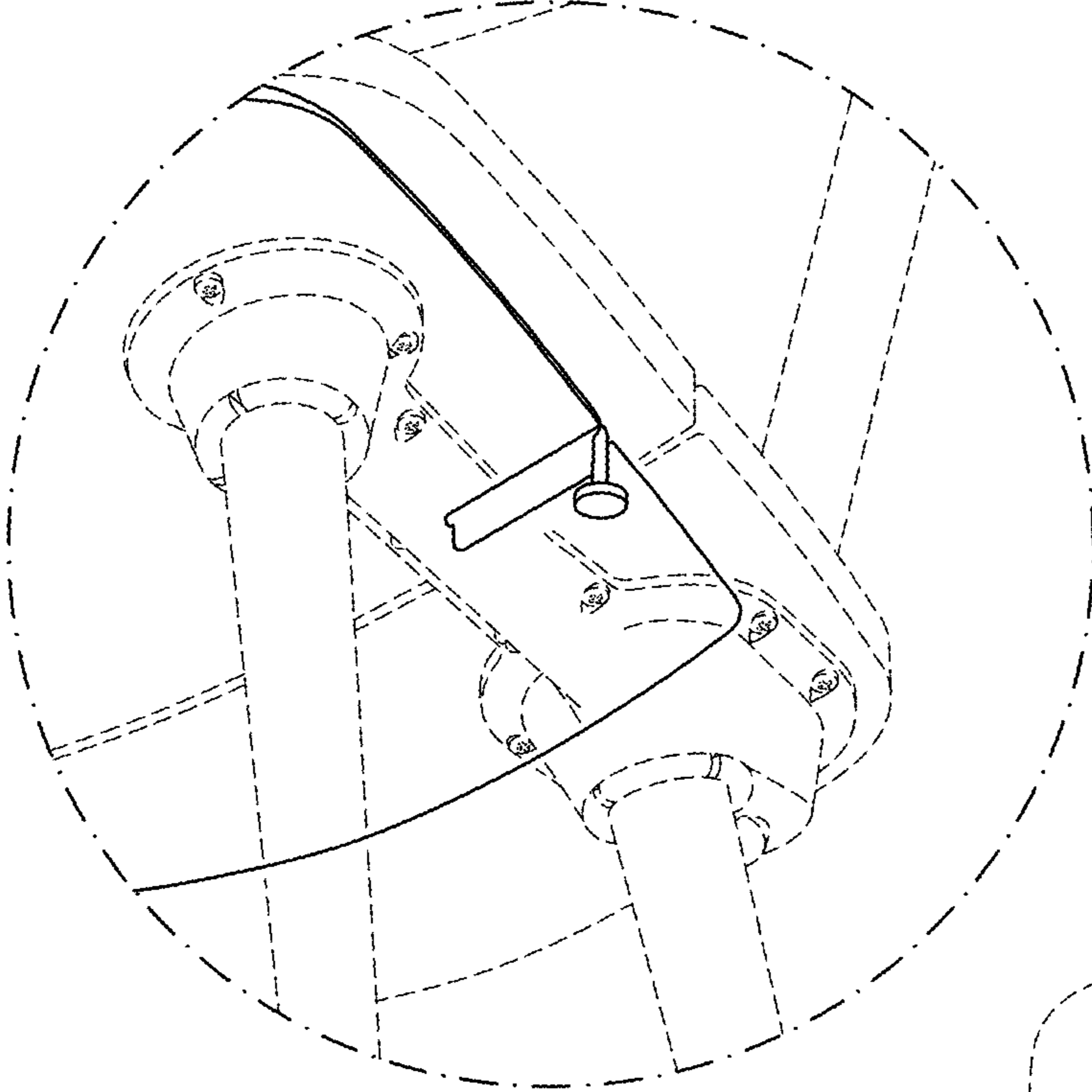


FIG. 9

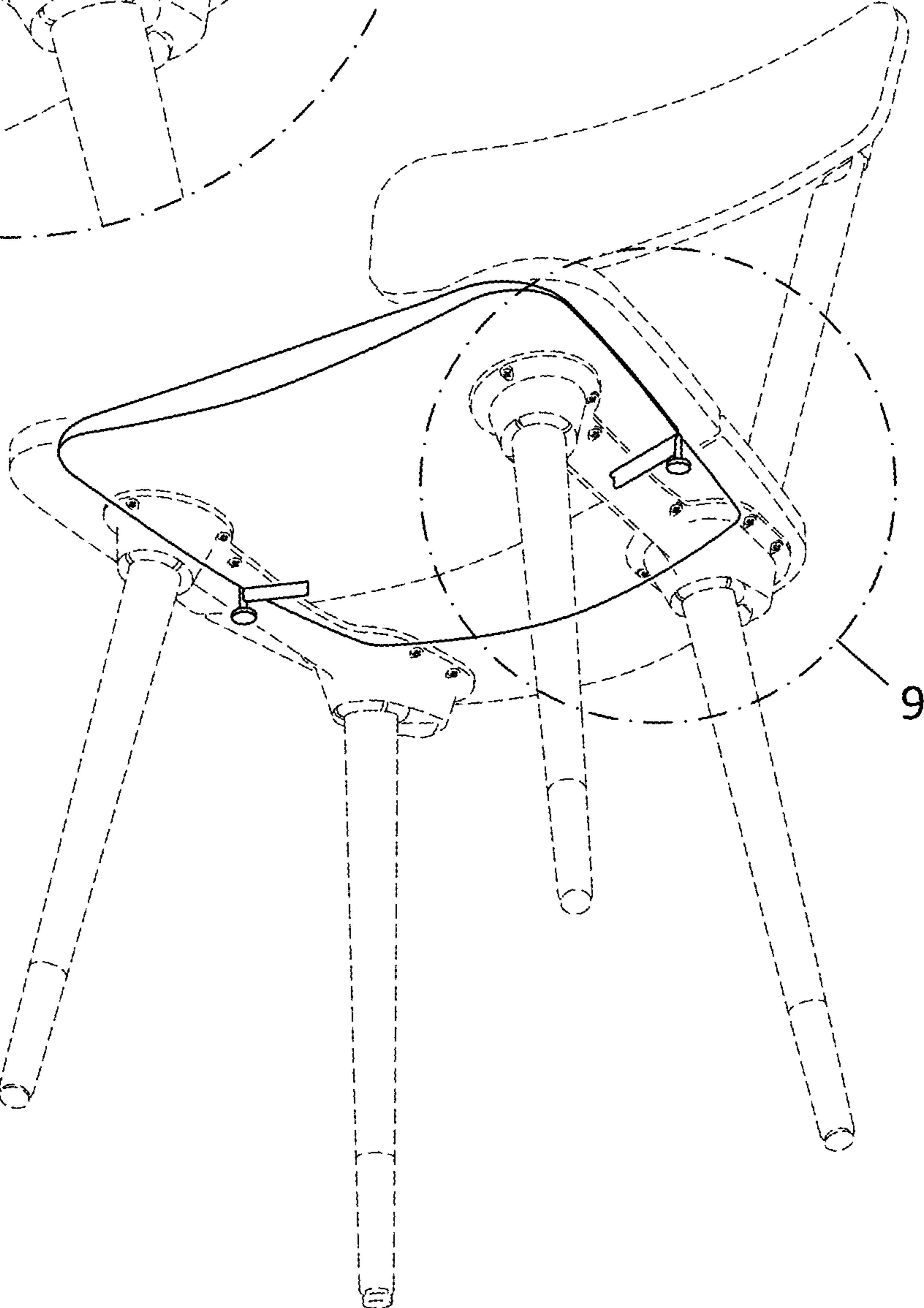


FIG. 8