



US00D946930S

(12) **United States Design Patent**  
**Ye et al.**

(10) **Patent No.:** **US D946,930 S**  
(45) **Date of Patent:** **\*\* Mar. 29, 2022**

- (54) **SHOWER SHELF**
- (71) Applicant: **XIAMEN LOTA INTERNATIONAL CO., LTD.**, Xiamen (CN)
- (72) Inventors: **Liming Ye**, Xiamen (CN); **Jiaqun Lin**, Xiamen (CN); **Yunlong Xie**, Xiamen (CN); **Chuanbao Zhu**, Xiamen (CN)
- (73) Assignee: **XIAMEN LOTA INTERNATIONAL CO., LTD.**, Xiamen (CN)

6,253,399 B1 *	7/2001	Wagner	.....	A47B 23/025	108/49
D583,176 S *	12/2008	Bochner	.....	D6/555	
D722,794 S *	2/2015	Luong	.....	D6/673	
D737,072 S *	8/2015	Laumerich	.....	D6/567	
D750,466 S *	3/2016	McCoy	.....	D8/353	
D767,298 S *	9/2016	Laumerich	.....	D6/533	
D767,303 S *	9/2016	Laumerich	.....	D6/553	
D827,332 S *	9/2018	Berkowitz	.....	D6/568	
D859,031 S *	9/2019	Ritch	.....	A61B 17/22	D6/574
					D6/574
D916,518 S *	4/2021	Eads	.....	D6/574	
2011/0132634 A1 *	6/2011	Fetzer-Westmeister	.....		H02G 3/14
					174/66

(\*\*) Term: **15 Years**

(21) Appl. No.: **29/728,486**

(22) Filed: **Mar. 19, 2020**

(51) **LOC (13) Cl.** ..... **06-04**

(52) **U.S. Cl.**  
USPC ..... **D6/574; D23/254**

(58) **Field of Classification Search**  
USPC ..... D6/574, 567, 568, 329, 396, 417, 552, 211/64, 70.5, 86.01, 87.01, 88.01, 89.01, 211/181.1; 248/121, 175, 200, 302; D23/254  
CPC ..... A47K 3/281; A47K 3/001; A47K 5/04; A47B 96/022; A47B 96/021; A47B 96/024; A47B 96/066; A47B 55/00  
See application file for complete search history.

(56) **References Cited**

**U.S. PATENT DOCUMENTS**

- D312,185 S \* 11/1990 Prater, Sr. .... D6/567
- D348,581 S \* 7/1994 Starr, IV ..... D30/133

\* cited by examiner

*Primary Examiner* — Nathan M Johnston

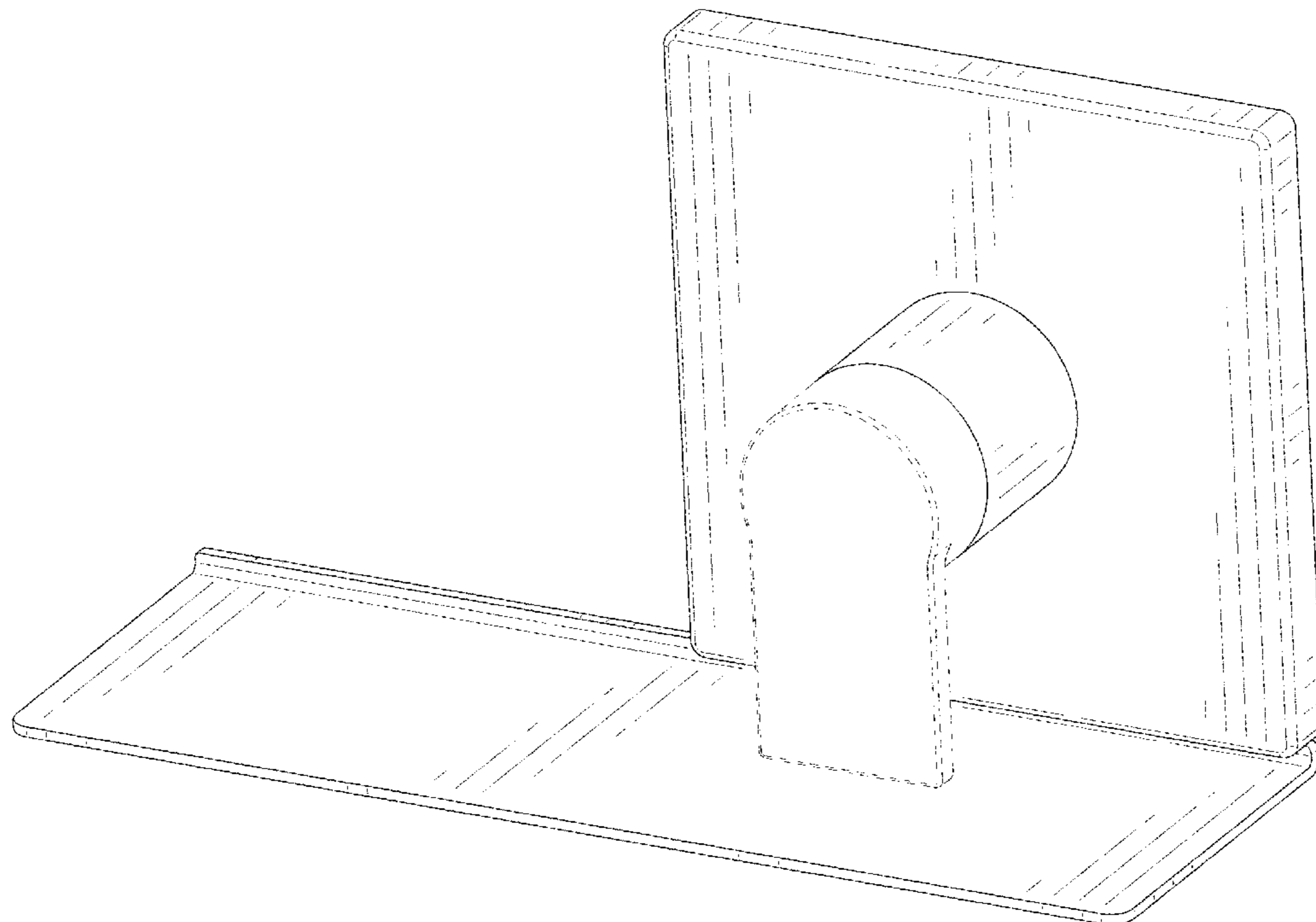
(57) **CLAIM**

The ornamental design for a shower shelf, as shown and described.

**DESCRIPTION**

FIG. 1 is a perspective view of a shower shelf showing our new design;  
FIG. 2 is another perspective view thereof;  
FIG. 3 is a front elevational view thereof;  
FIG. 4 is a rear elevational view thereof;  
FIG. 5 is a left side elevational view thereof;  
FIG. 6 is a right side elevational view thereof;  
FIG. 7 is a top plan view thereof; and,  
FIG. 8 is a bottom plan view thereof.  
The broken lines in the drawings depict boundaries of the shower shelf that form no part of the claimed design.

**1 Claim, 8 Drawing Sheets**



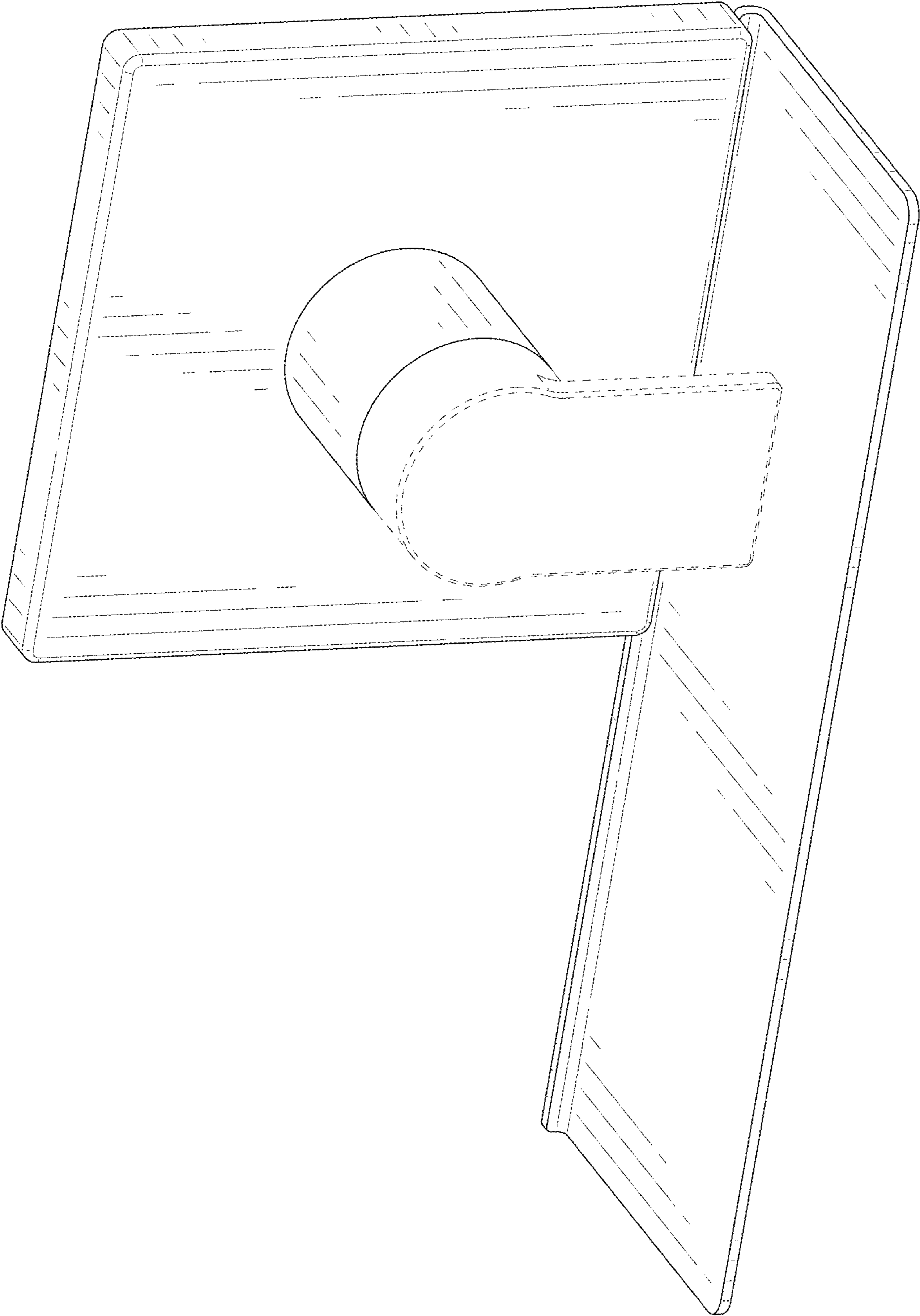


FIG. 1

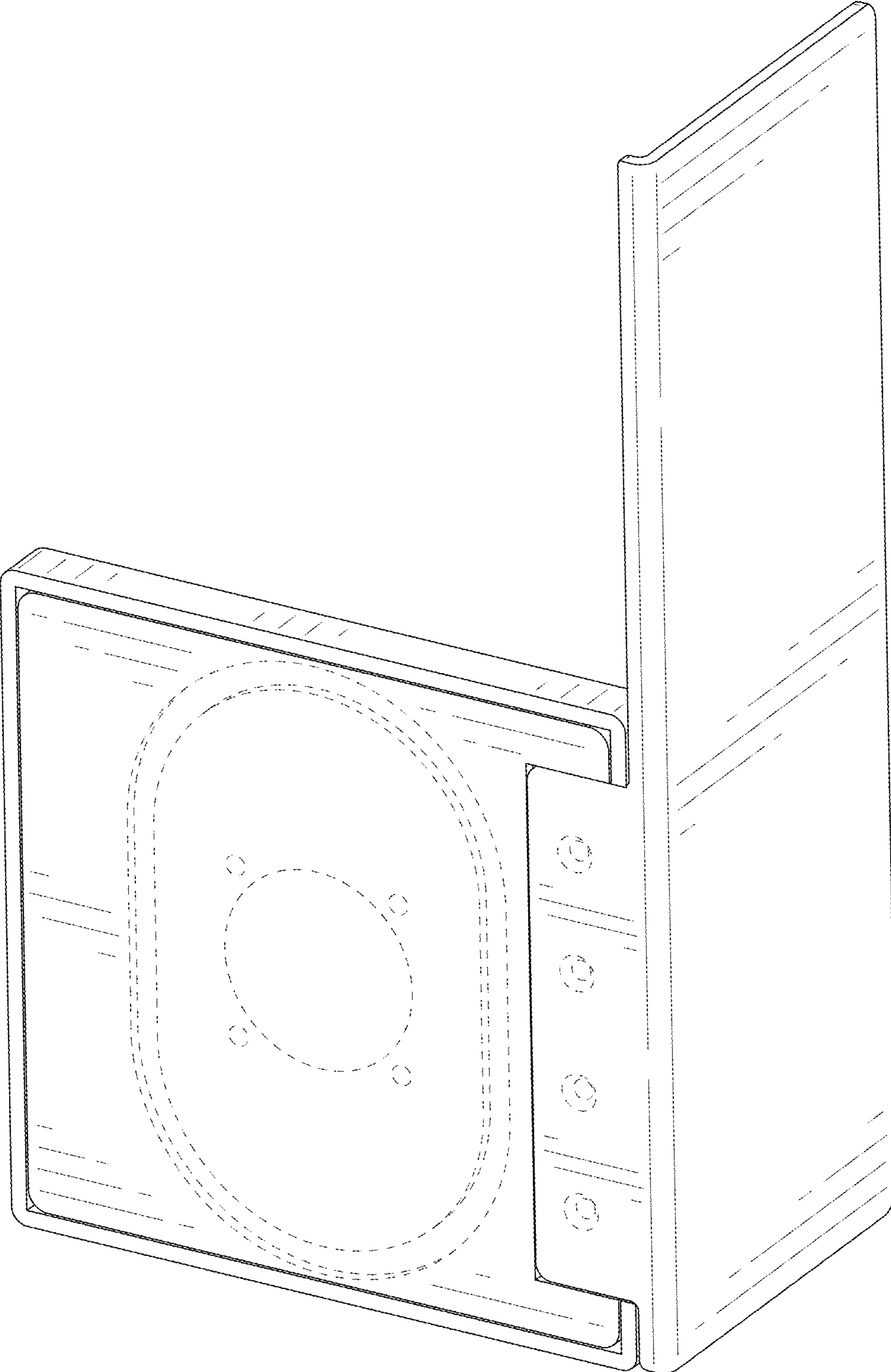


FIG. 2

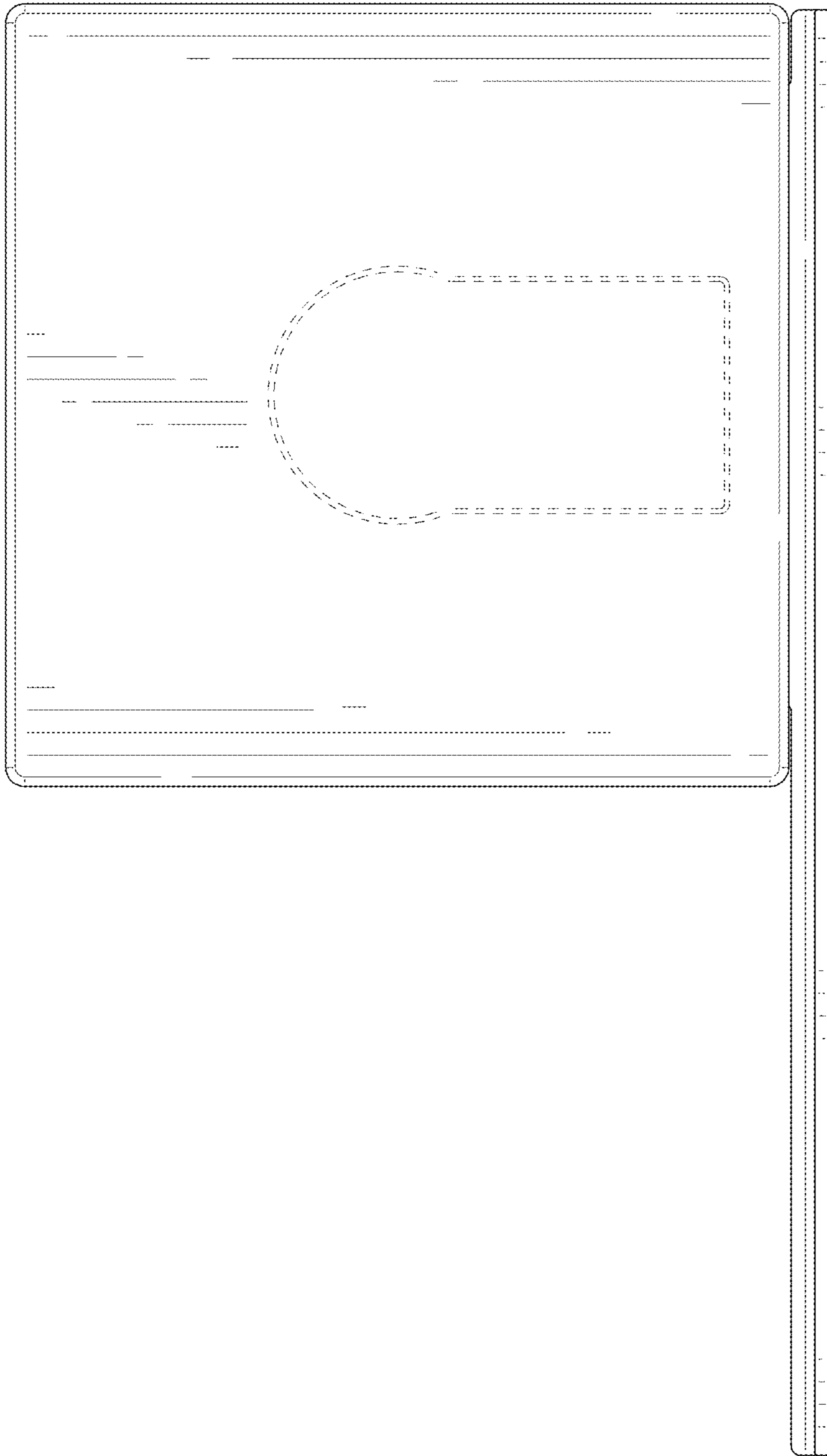


FIG. 3

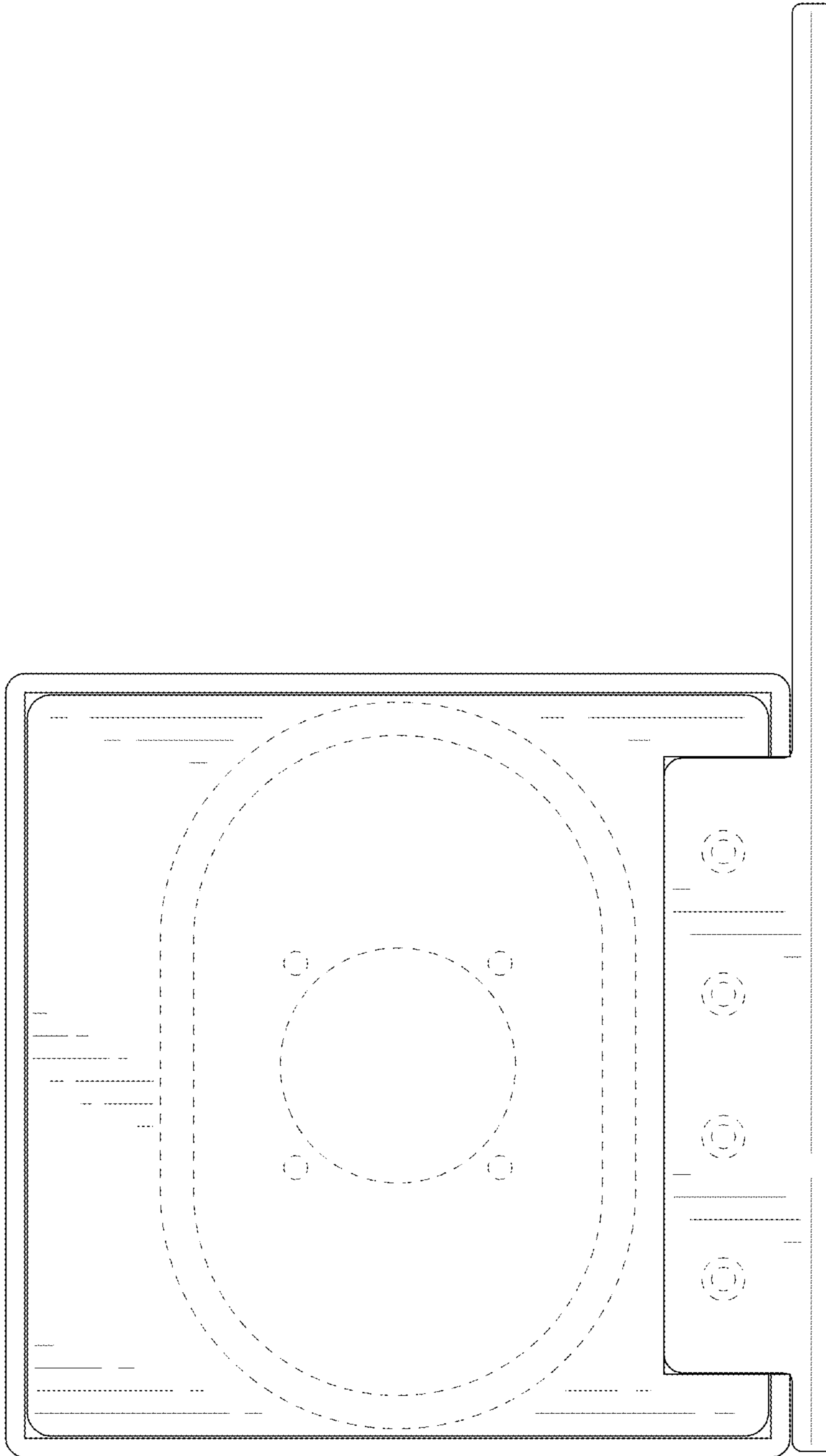


FIG. 4

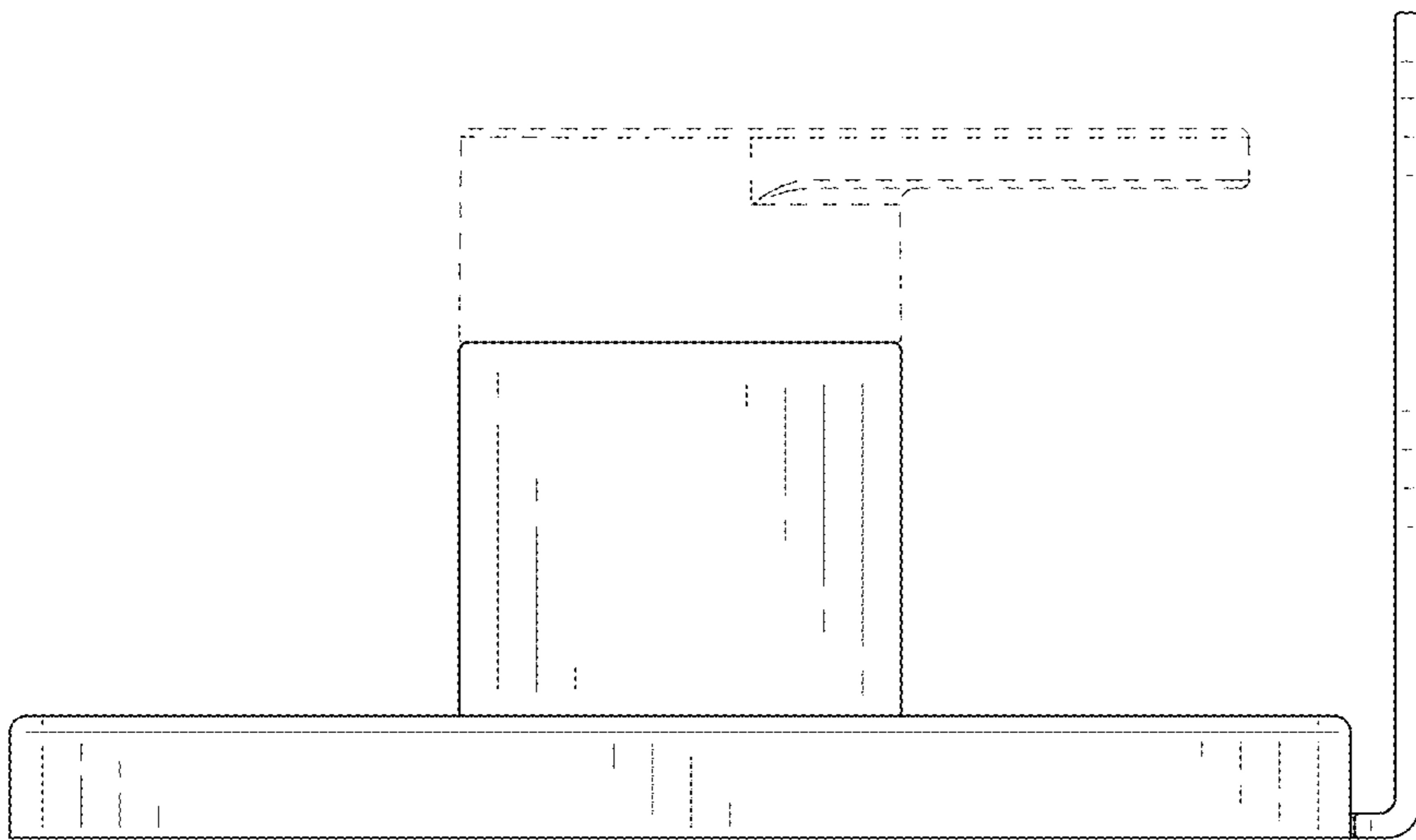


FIG. 5

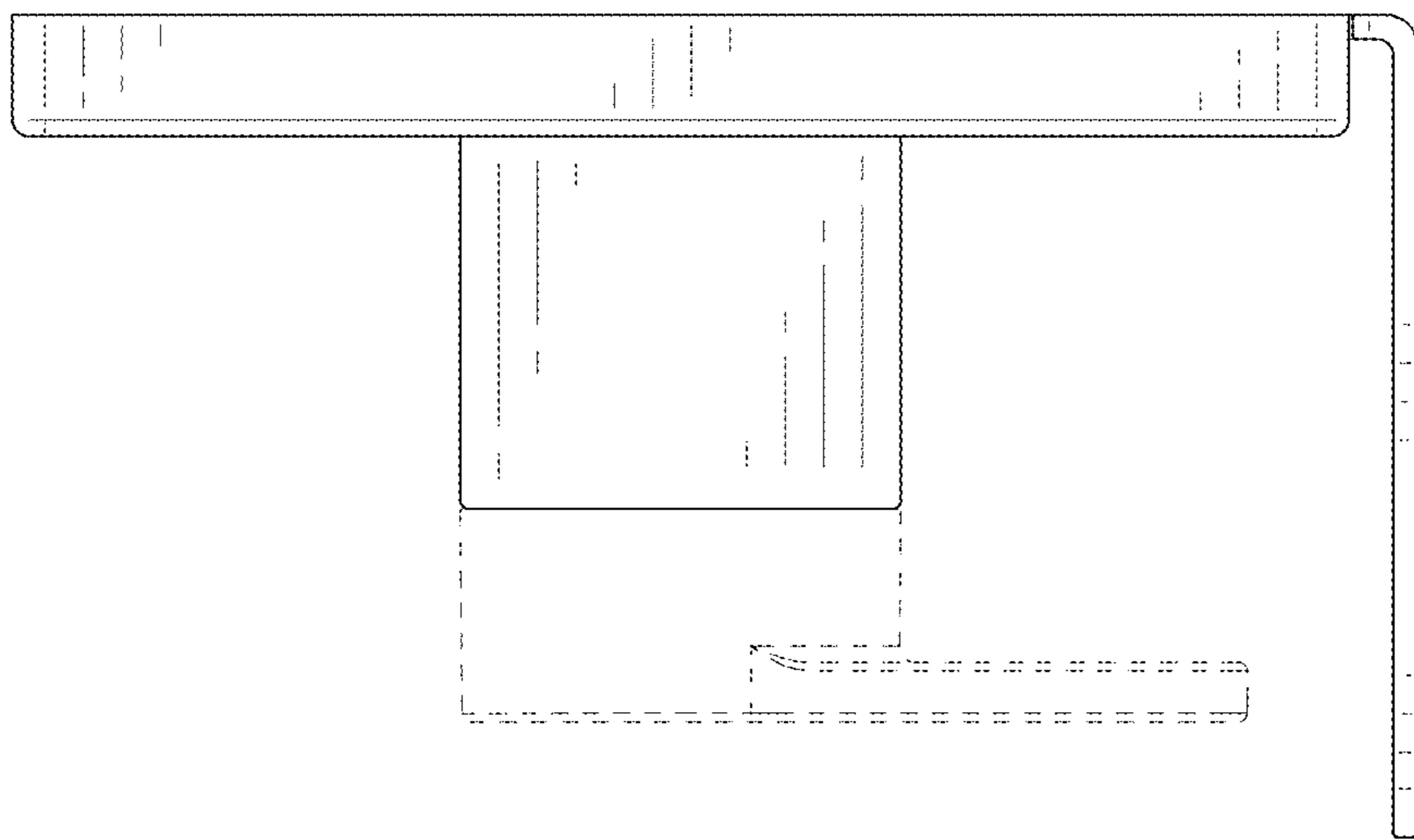


FIG. 6



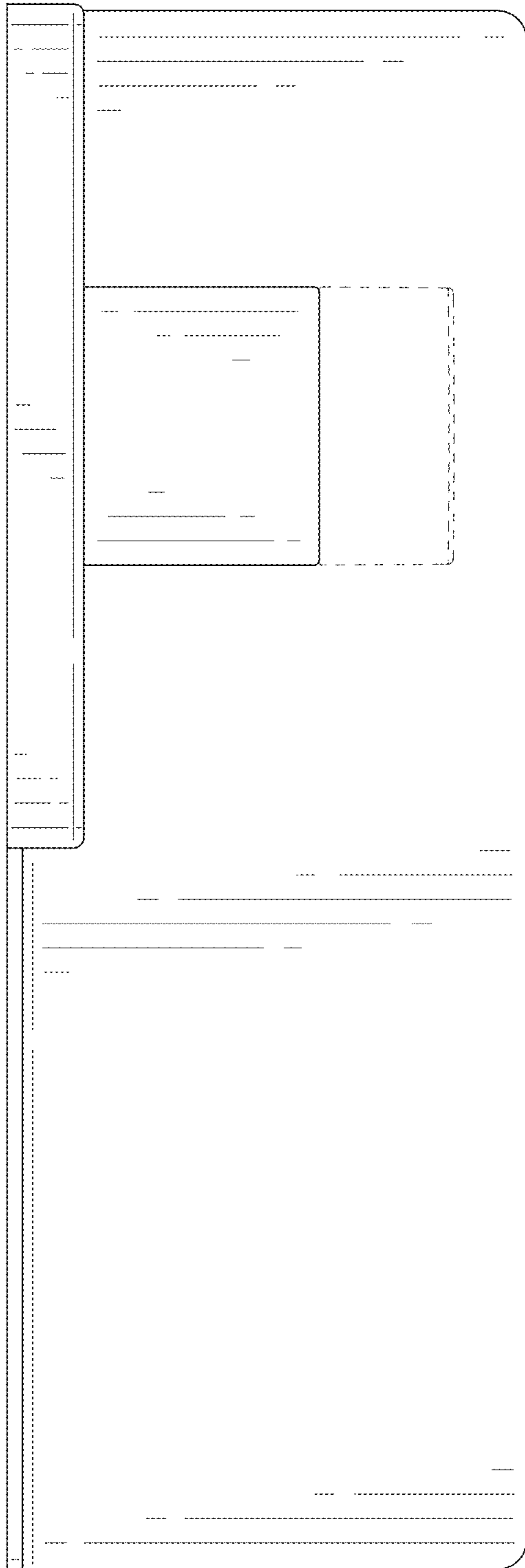


FIG. 7



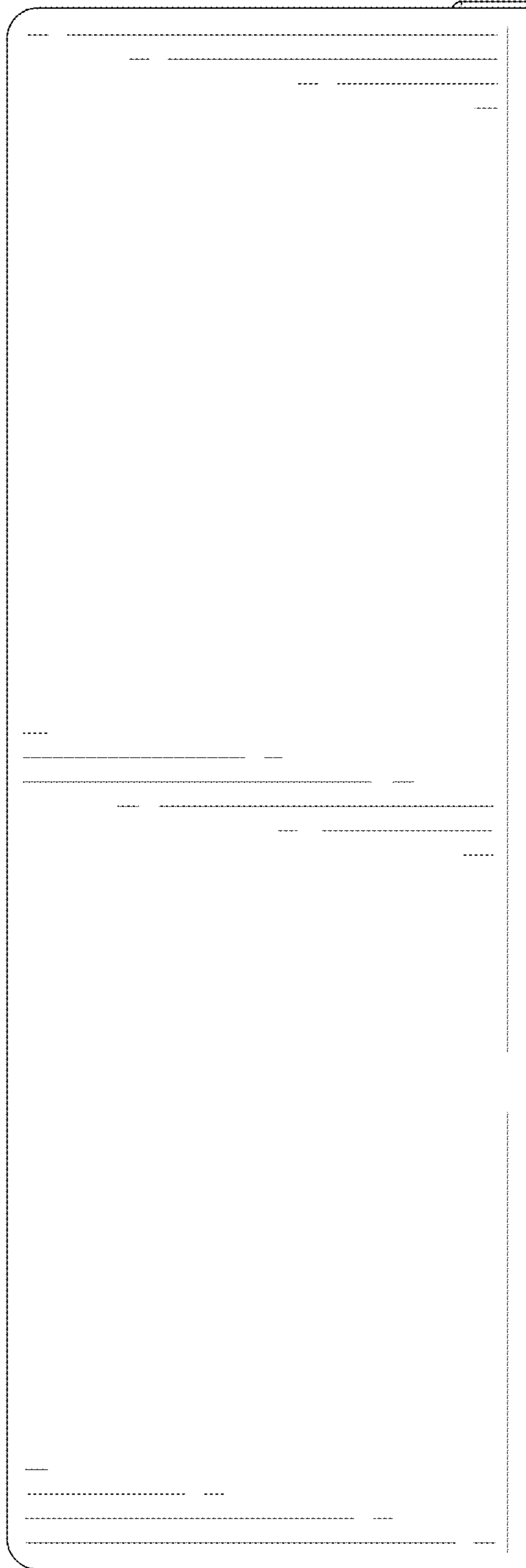


FIG. 8