



US00D946928S

(12) **United States Design Patent**  
**Huang**

(10) **Patent No.:** **US D946,928 S**

(45) **Date of Patent:** **\*\* Mar. 29, 2022**

(54) **TOILET BRUSH HOLDER**

(71) Applicant: **Jiaqi Huang**, Putian (CN)

(72) Inventor: **Jiaqi Huang**, Putian (CN)

(\*\*) Term: **15 Years**

(21) Appl. No.: **29/745,713**

(22) Filed: **Aug. 7, 2020**

(51) **LOC (13) Cl.** ..... **06-04**

(52) **U.S. Cl.**  
USPC ..... **D6/551**

(58) **Field of Classification Search**  
USPC ..... D6/551, 525; D4/100, 102, 114, 117,  
D4/118, 121, 130–136, 138; D7/541,  
D7/555, 615; D8/80, 83, 94, 107, 300;  
D32/40, 42, 46, 49, 51, 52; 4/255.05,  
4/255.11; 15/21.1, 143.1, 145, 159.1,  
15/160, 186–188; 132/20, 142, 313;  
206/207, 349, 361; 312/206, 207  
CPC ..... A47K 17/00; A47K 11/10; A47K 3/001;  
B65D 47/40  
See application file for complete search history.

(56) **References Cited**

**U.S. PATENT DOCUMENTS**

D481,573 S	*	11/2003	Lin	.....	D6/551
D483,591 S	*	12/2003	Dretzka	.....	D6/551
D499,593 S	*	12/2004	Berti	.....	D6/551
D773,853 S	*	12/2016	Deacon	.....	D6/551
D805,807 S		12/2017	Li		
D842,004 S		3/2019	Joseph		
2008/0156680 A1	*	7/2008	Lai	.....	A47K 17/00 206/361

**OTHER PUBLICATIONS**

Amazon.Com, Toilet brush and holder set for bathroom, Sep. 1, 2021, <https://www.amazon.com/Bathroom-Deep-Cleaning-Silicone-Handle%EF%BC%88Can-Detergent%EF%BC%89/dp/B096VQ19PB/> (Year: 2021).\*

\* cited by examiner

*Primary Examiner* — Nathan M Johnston

(74) *Attorney, Agent, or Firm* — ScienBiziP, P.C.

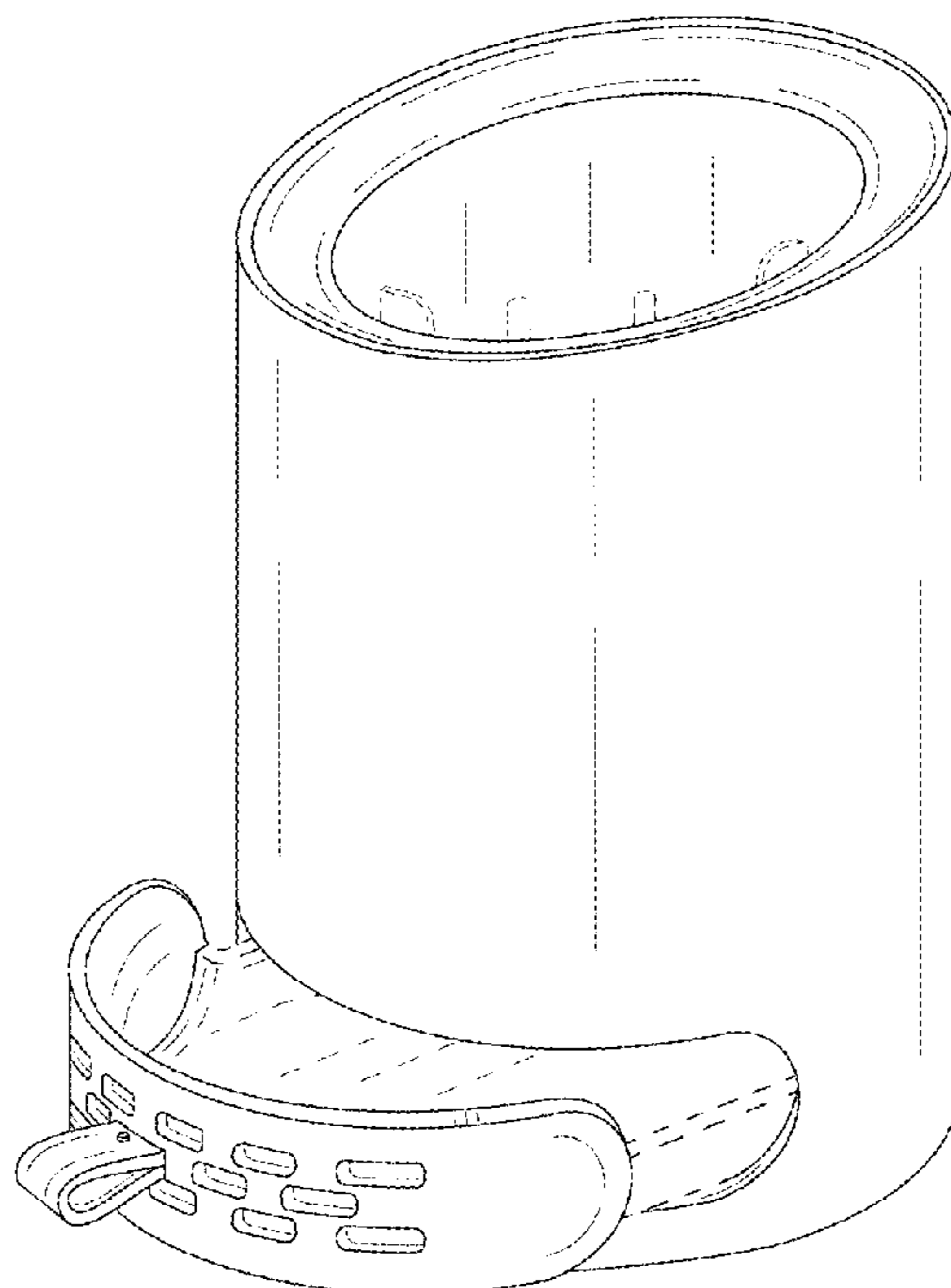
(57) **CLAIM**

The ornamental design for a toilet brush holder, as shown and described.

**DESCRIPTION**

FIG. 1 is a front perspective view of a toilet brush holder, showing my design.  
FIG. 2 is a front elevation view thereof.  
FIG. 3 is a rear elevation view thereof.  
FIG. 4 is a right side elevation view thereof.  
FIG. 5 is a left side elevation view thereof.  
FIG. 6 is a top plan view thereof.  
FIG. 7 is a bottom plan view thereof; and,  
FIG. 8 is a perspective view of the toilet brush holder of FIG. 1 wherein a drawer of the toilet brush holder is opened.  
The broken lines shown in the figures represent portions of the toilet brush holder that form no part of the claimed design.

**1 Claim, 8 Drawing Sheets**



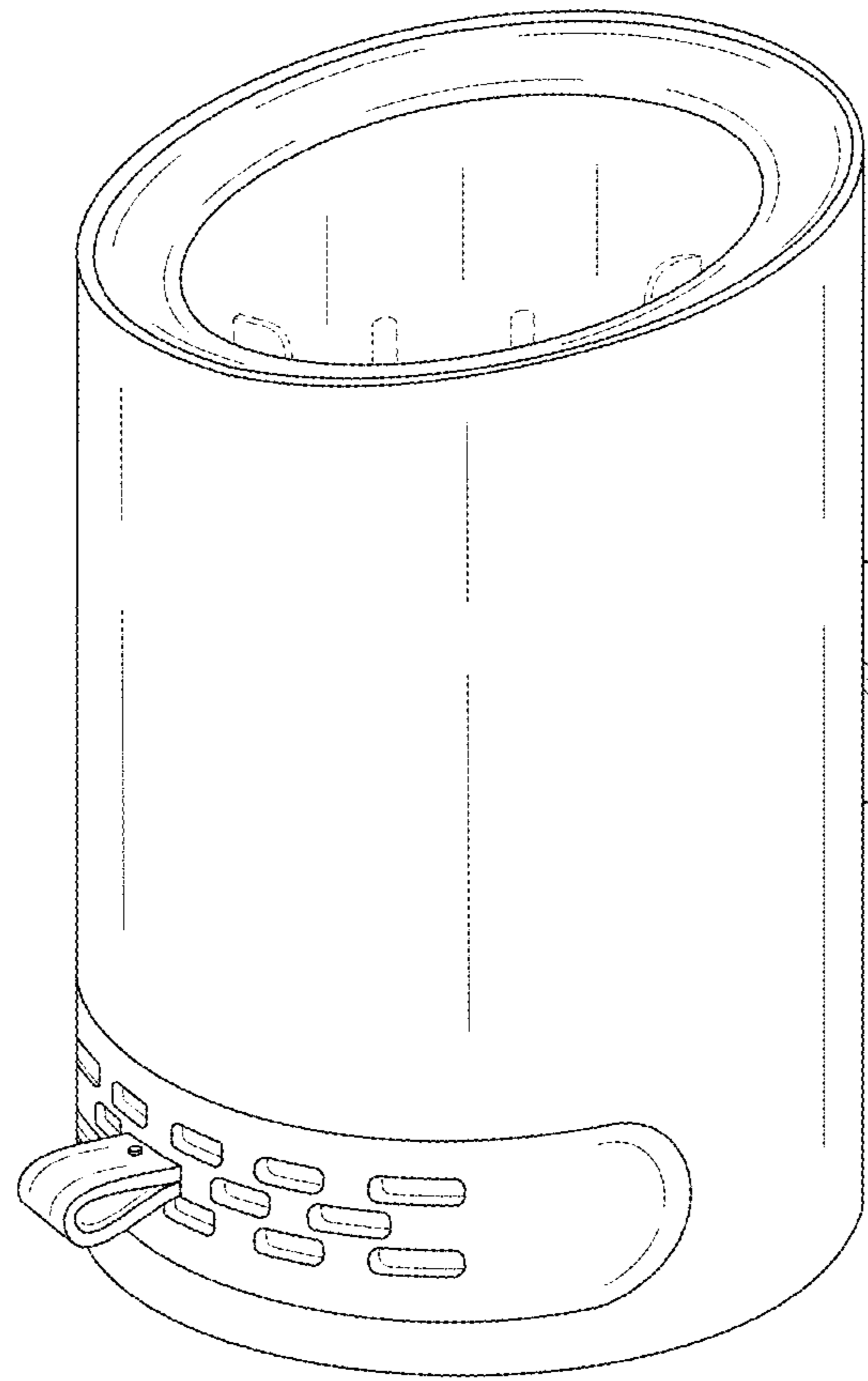


FIG. 1

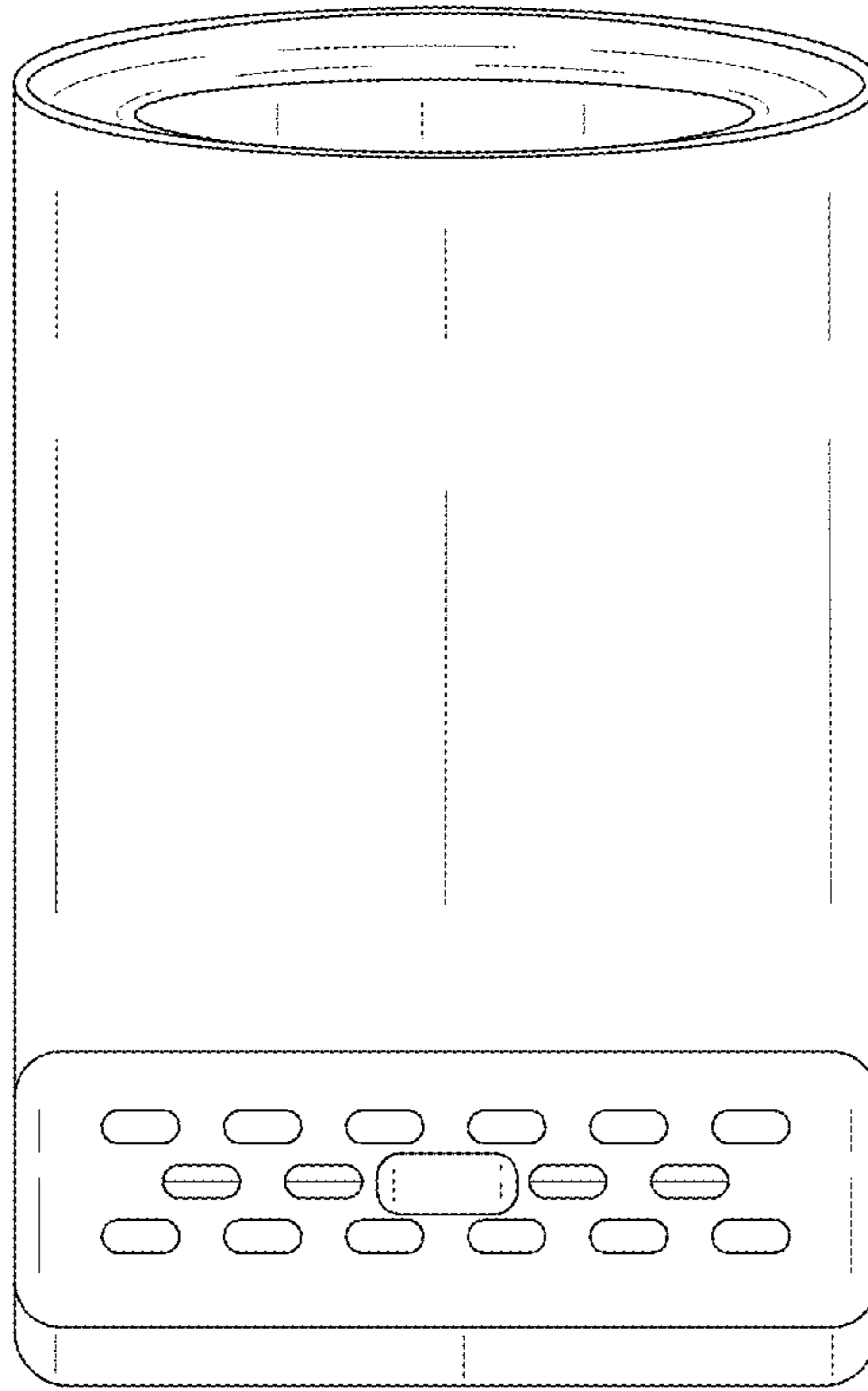


FIG.2

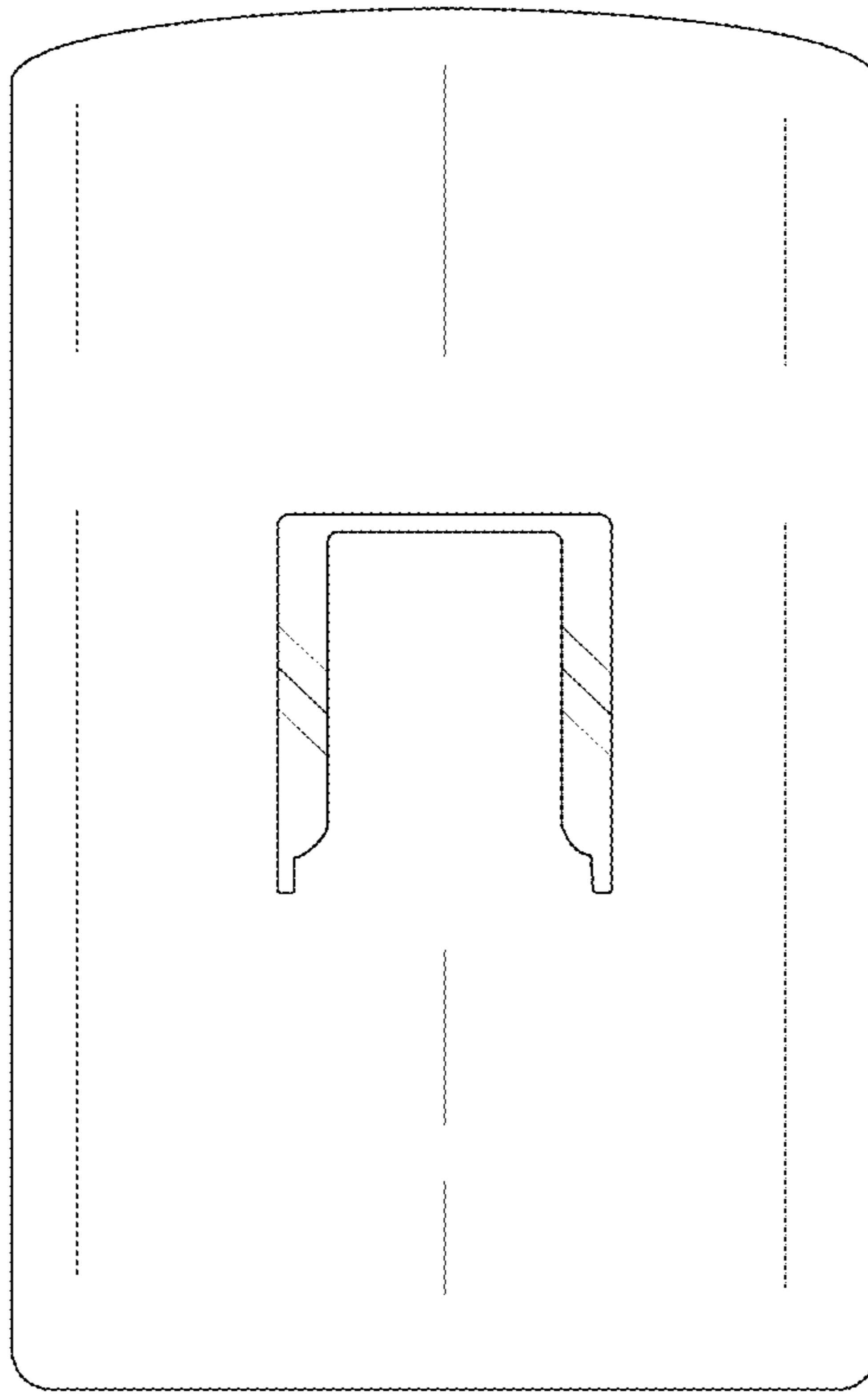


FIG.3

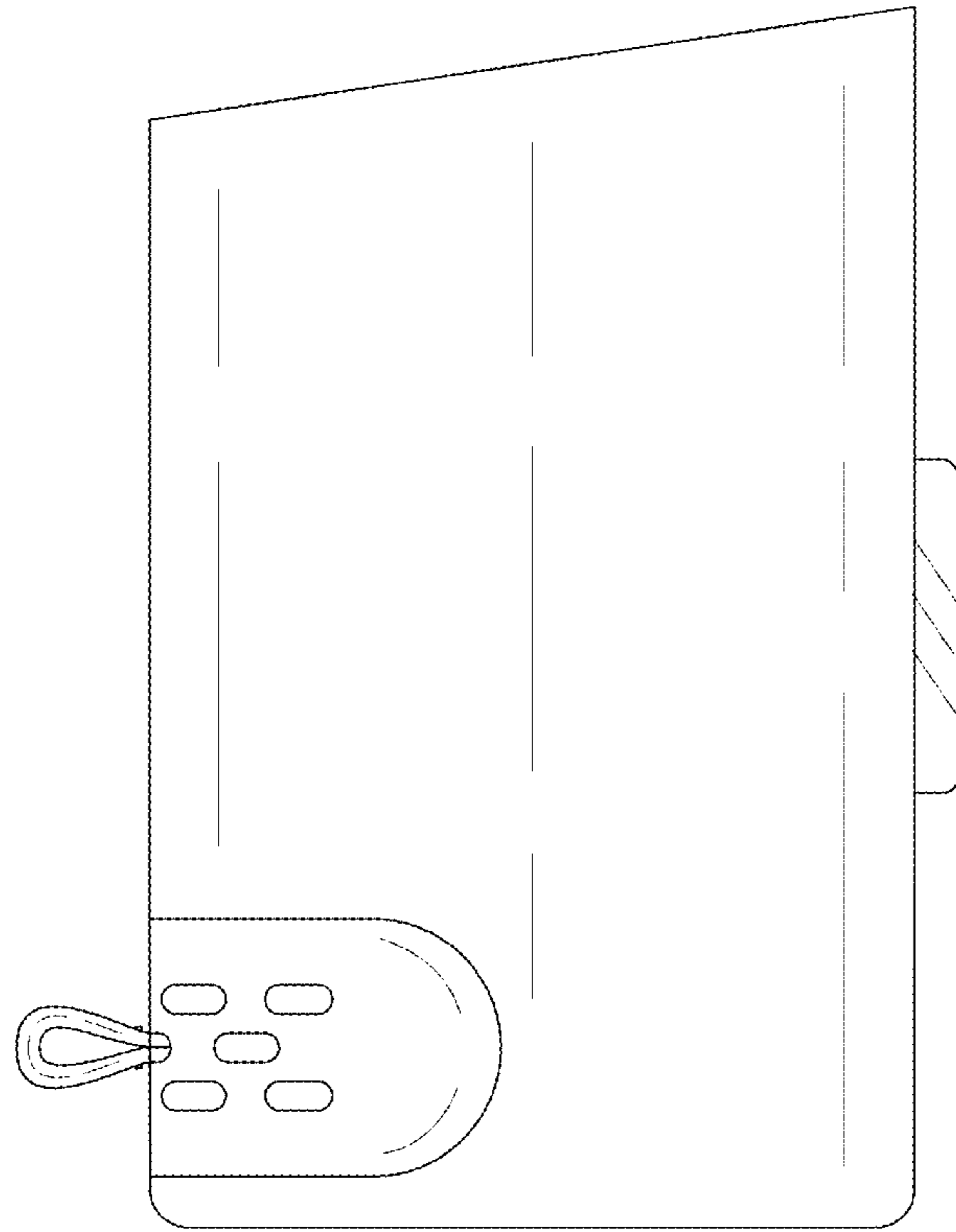


FIG.4

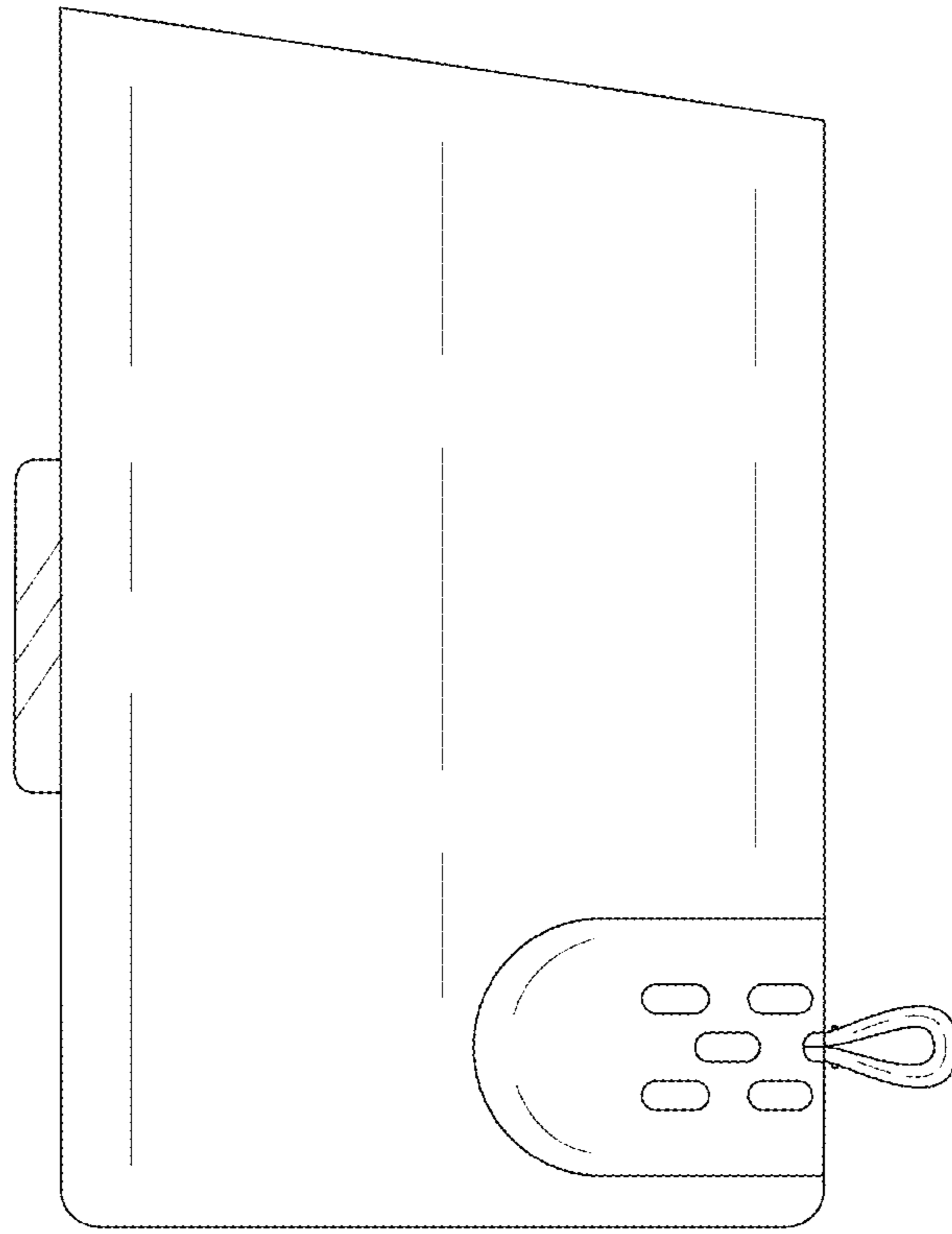


FIG.5

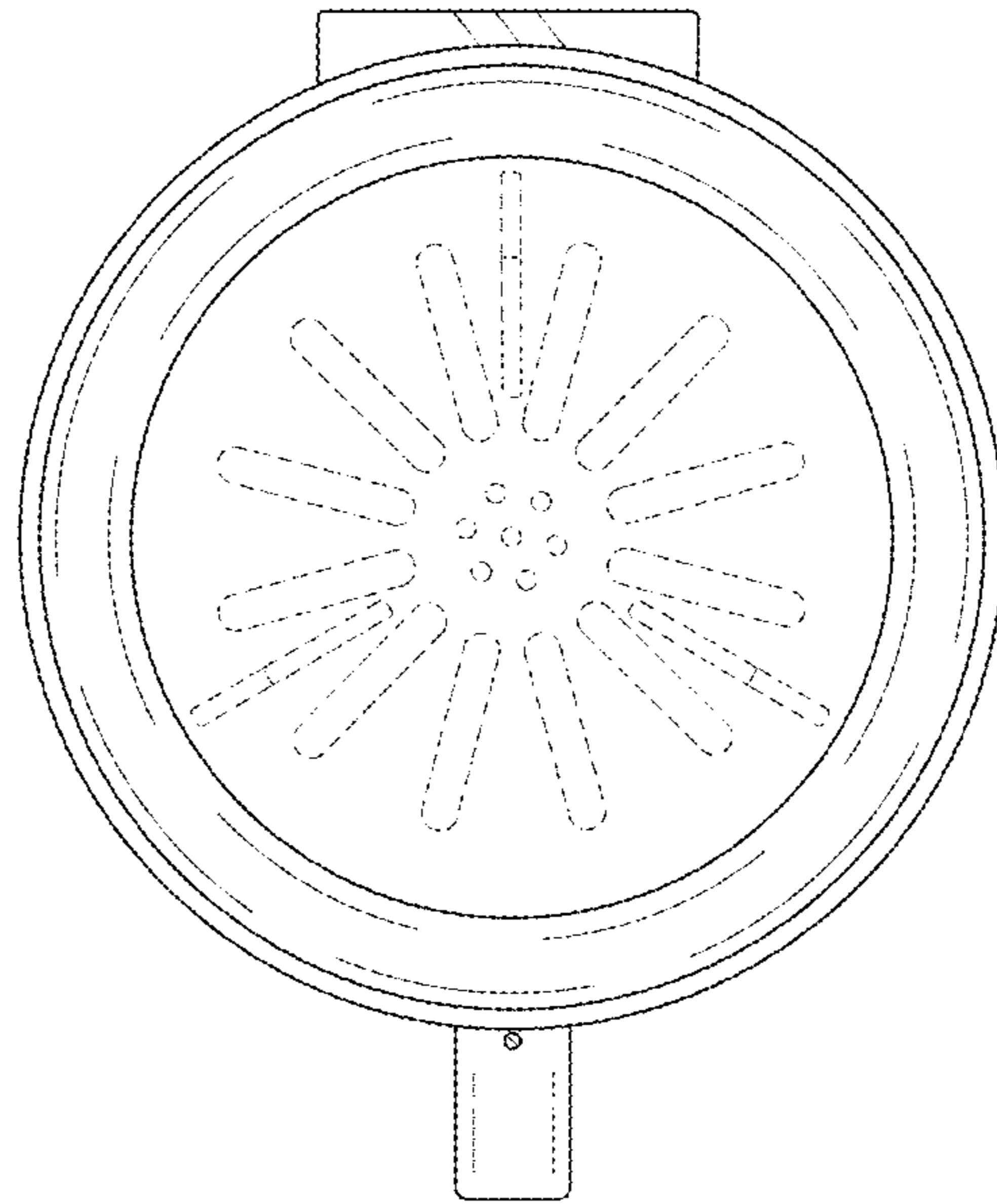


FIG.6

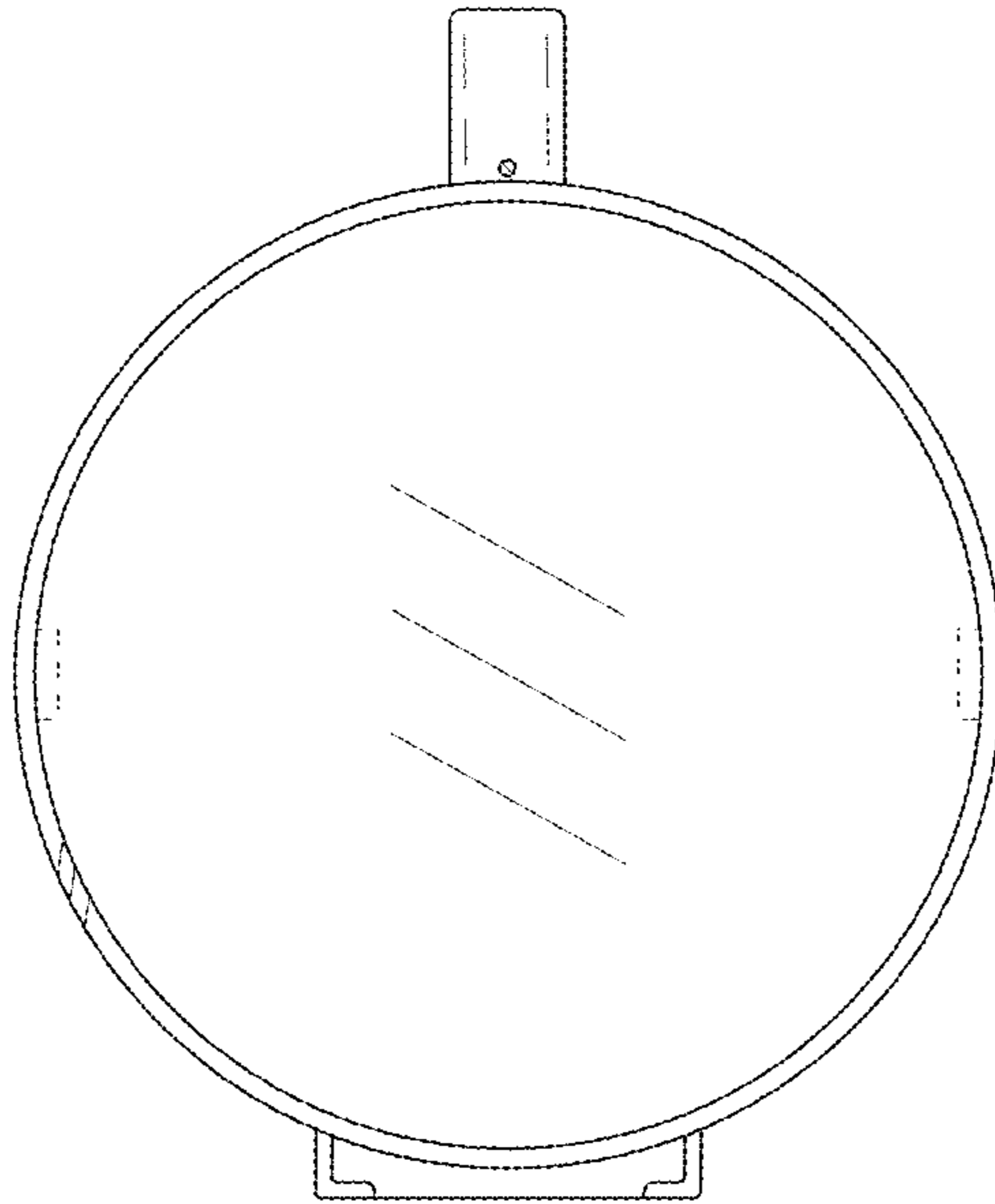


FIG.7



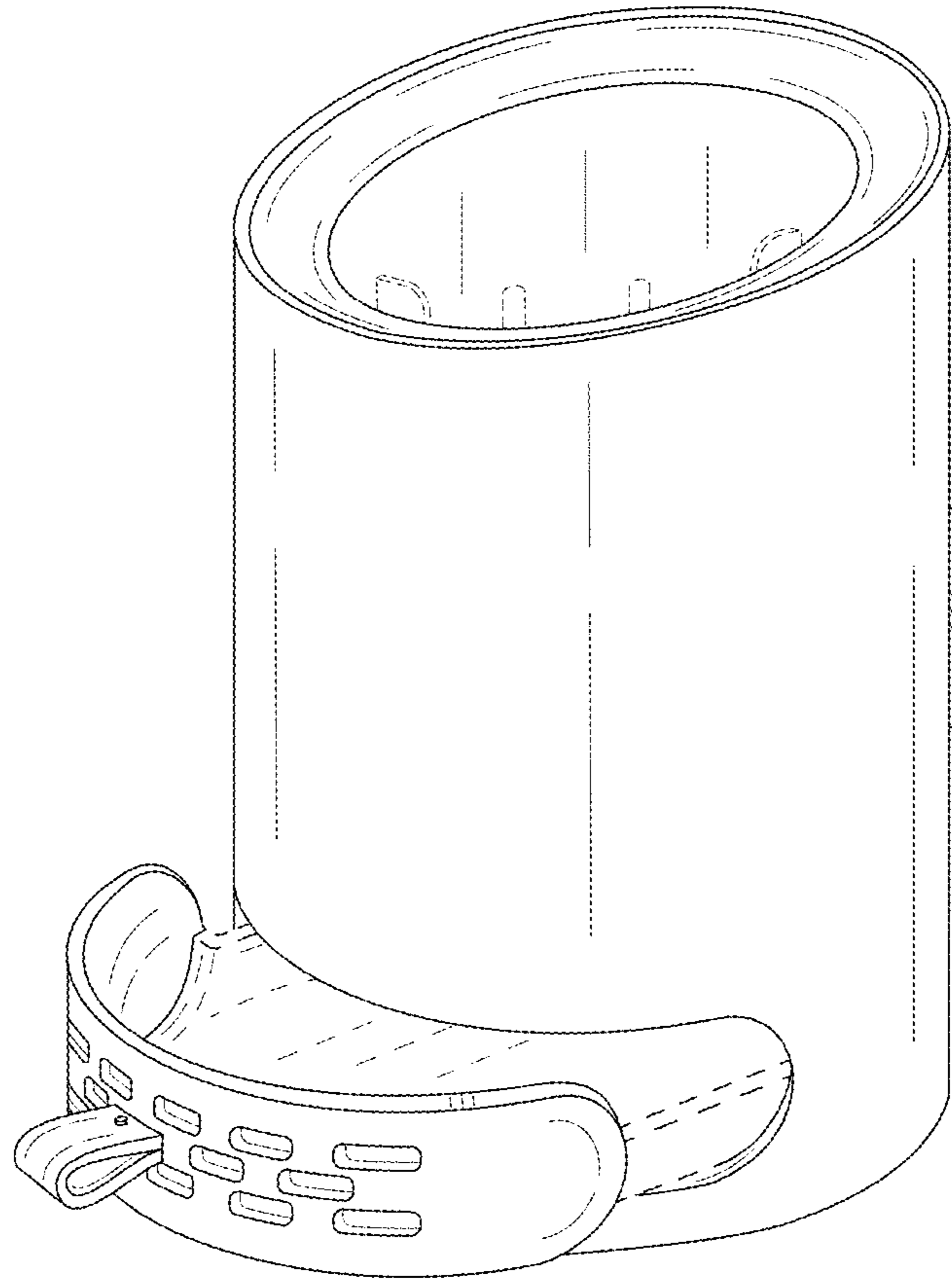


FIG.8