



US00D946927S

(12) **United States Design Patent** (10) **Patent No.:** **US D946,927 S**
Wang (45) **Date of Patent:** **** Mar. 29, 2022**

(54) **TOILET BRUSH WITH HOLDER SET**

(71) Applicant: **Tao Wang**, Jinhua (CN)

(72) Inventor: **Tao Wang**, Jinhua (CN)

(**) Term: **15 Years**

(21) Appl. No.: **29/745,710**

(22) Filed: **Aug. 7, 2020**

(51) **LOC (13) Cl.** **06-04**

(52) **U.S. Cl.**
USPC **D6/551**

(58) **Field of Classification Search**
USPC D6/551, 525, 524; D4/100, 102, 114,
D4/117, 118, 121, 130–136, 138, 116,
D4/128, 137; D7/541, 555, 615; D8/80,
D8/83, 94, 107, 300; D32/40, 42, 46, 49,
D32/51, 52; 4/255.05, 255.11; 15/21.1,
15/143.1, 145, 159.1, 160, 186–188;
132/20, 142, 313; 206/207, 349, 361;
312/206, 207
CPC A47K 17/00; A47K 11/10; A47K 3/001;
B65D 47/40
See application file for complete search history.

(56) **References Cited**

U.S. PATENT DOCUMENTS

D315,989 S *	4/1991	Levien	D32/40
D483,591 S *	12/2003	Dretzka	D6/551
D499,593 S *	12/2004	Berti	D6/551
D509,961 S *	9/2005	Petersen-Rutten	D4/121
D525,064 S *	7/2006	Williams	D6/524
D551,480 S *	9/2007	Dretzka	D6/551

(Continued)

OTHER PUBLICATIONS

Amazon.com, Toilet Bowl Cleaning Brush and Holder Set by POPTEN, Oct. 23, 2019, <https://www.amazon.com/POPTEN-Bathroom-Aluminum-Silicone-Organization/dp/B07WS648T8/> (Year: 2019).*

Primary Examiner — Nathan M Johnston
(74) *Attorney, Agent, or Firm* — ScienBiziP, P.C.

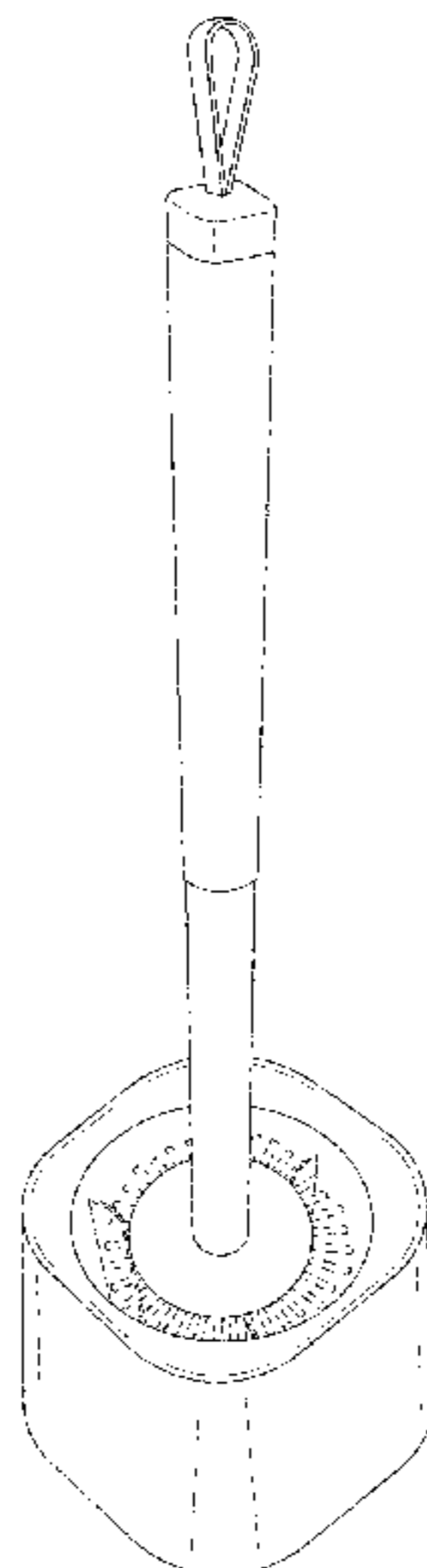
(57) **CLAIM**

The ornamental design for a toilet brush with holder set, as shown and described.

DESCRIPTION

FIG. 1 is a front perspective view of a toilet brush with holder set, showing my design.
FIG. 2 is a front elevation view thereof.
FIG. 3 is a rear elevation view thereof.
FIG. 4 is a left side elevation view thereof.
FIG. 5 is a right side elevation view thereof.
FIG. 6 is a top plan view thereof.
FIG. 7 is a bottom plan view thereof.
FIG. 8 is a perspective view of the toilet brush with holder set of FIG. 1 wherein a brush of the toilet brush with holder set is out.
FIG. 9 is a front perspective view of the brush of the toilet brush with holder set of FIG. 8 shown separately for ease of illustration.
FIG. 10 is a front elevation view of FIG. 9.
FIG. 11 is a rear elevation view of FIG. 9.
FIG. 12 is a left side elevation view of FIG. 9.
FIG. 13 is a right side elevation view of FIG. 9.
FIG. 14 is a top plan view of FIG. 9.
FIG. 15 is a bottom plan view of FIG. 9.
FIG. 16 is a top perspective view of a brush holder of FIG. 1 shown separately for ease of illustration.
FIG. 17 is a front elevation view of FIG. 16.
FIG. 18 is a rear elevation view of FIG. 16.
FIG. 19 is a left side elevation view of FIG. 16.
FIG. 20 is a right side elevation view of FIG. 16.
FIG. 21 is a top plan view of FIG. 16; and,
FIG. 22 is a bottom plan view of FIG. 16.
The broken lines shown in the figures represent portions of the toilet brush with holder set form no part of the claimed design.

1 Claim, 22 Drawing Sheets



(56)

References Cited

U.S. PATENT DOCUMENTS

D576,801 S *	9/2008	Dretzka	D4/116
D773,853 S *	12/2016	Deacon	D6/551
D805,807 S	12/2017	Li	
D821,756 S *	7/2018	Adams	D4/128
D840,714 S	2/2019	Vosbikian et al.	
D905,966 S *	12/2020	Wen	D4/116
D908,997 S *	1/2021	Kauffman	D32/40
2008/0156680 A1 *	7/2008	Lai	A47K 17/00 206/361

* cited by examiner

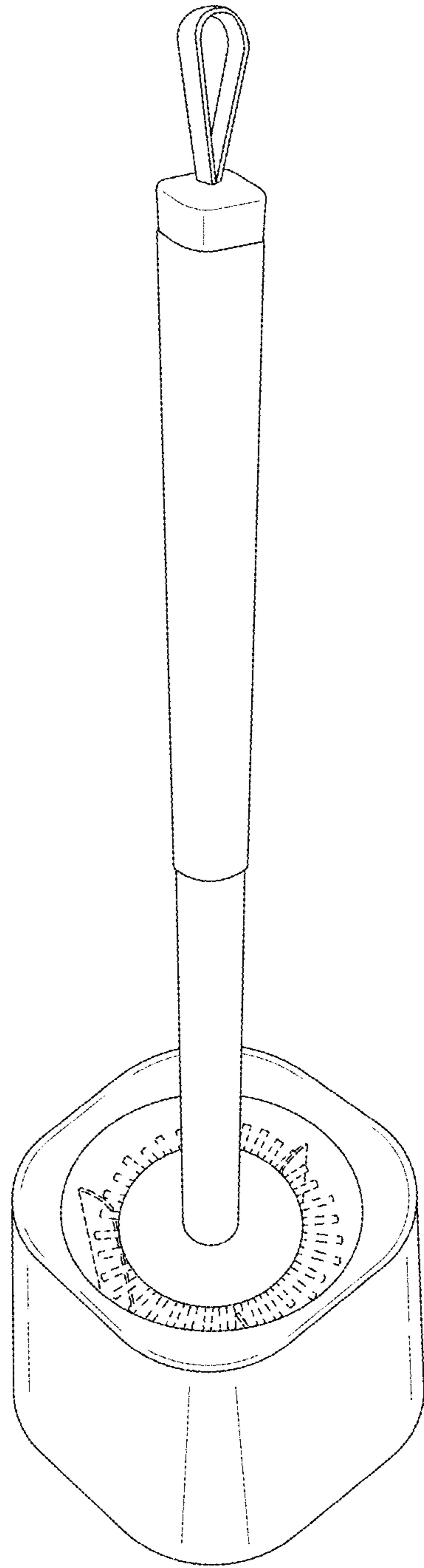


FIG. 1

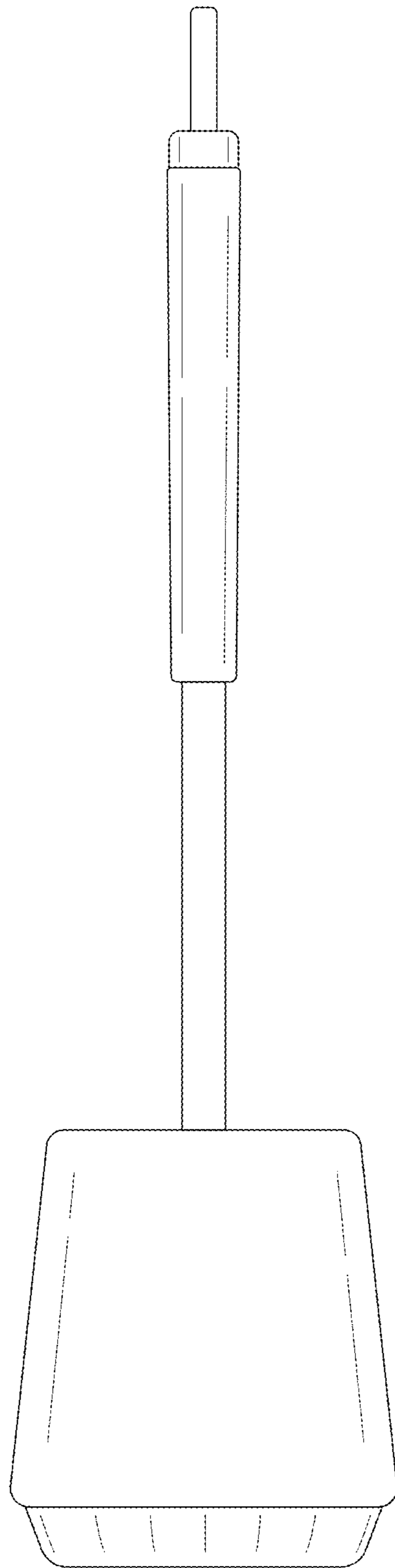


FIG. 2

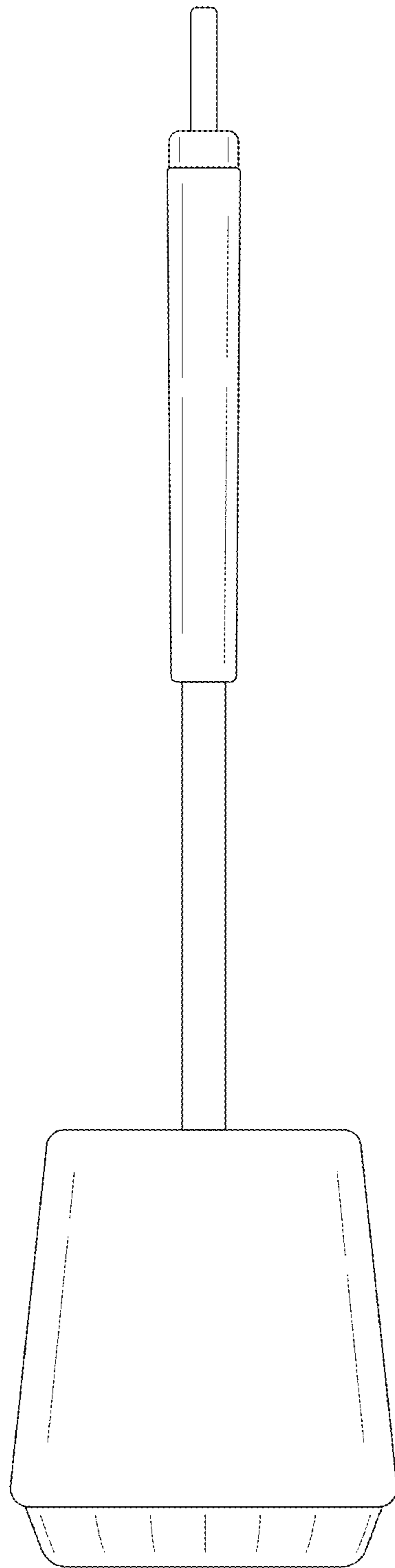


FIG.3

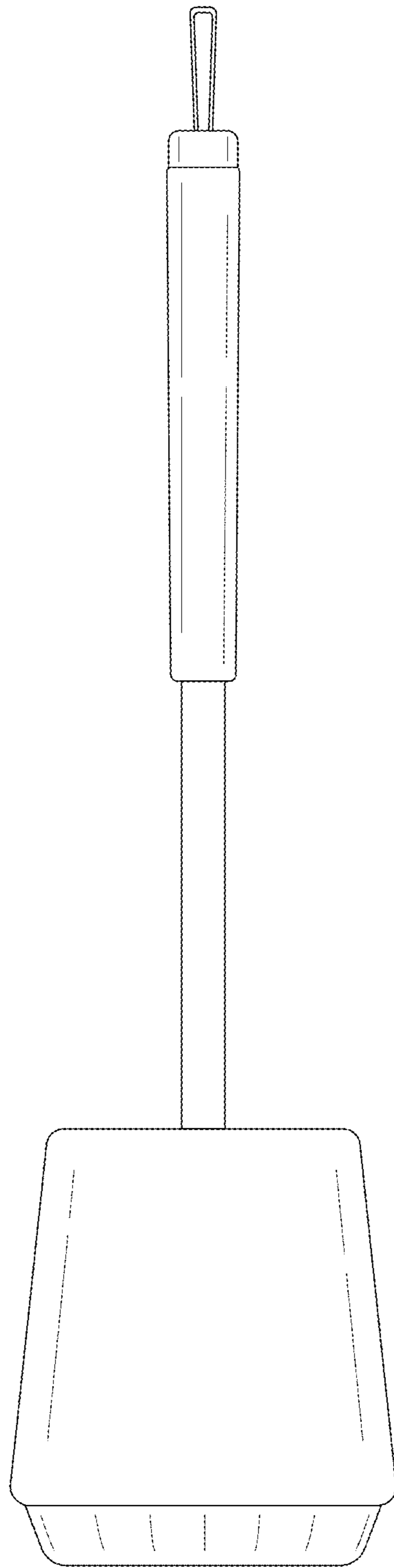


FIG.4

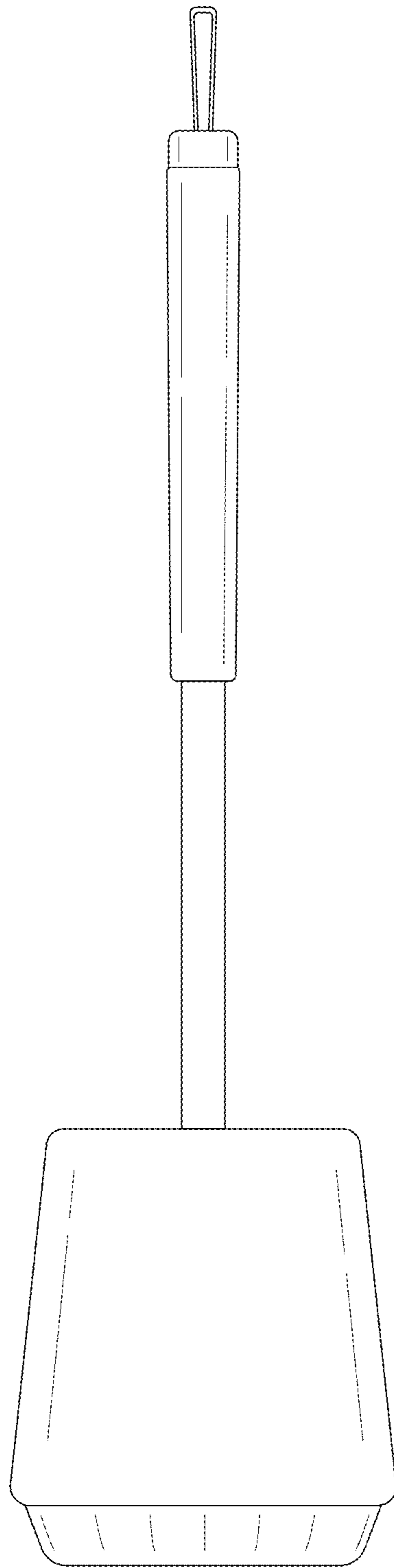


FIG.5

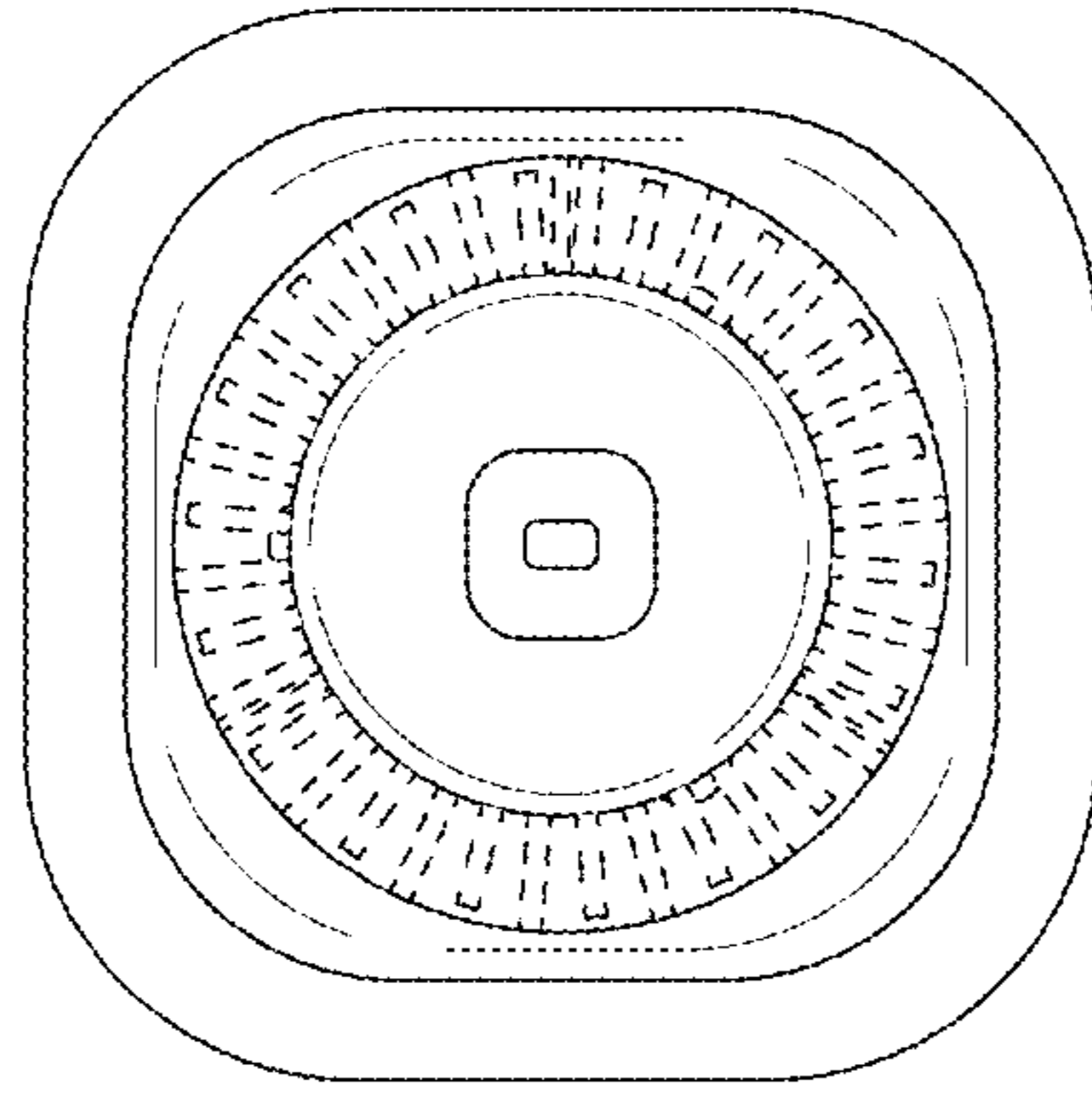


FIG. 6

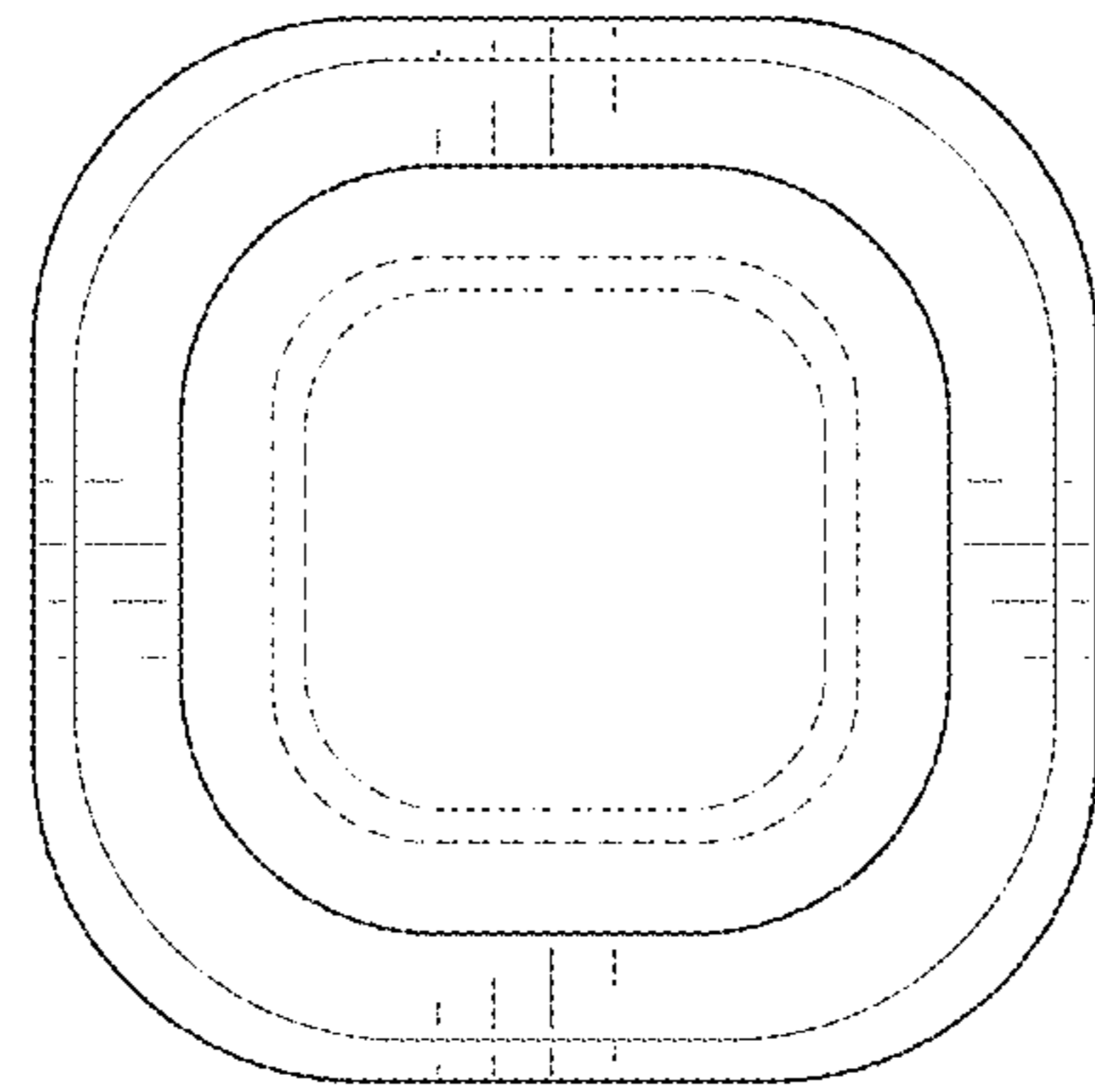


FIG. 7

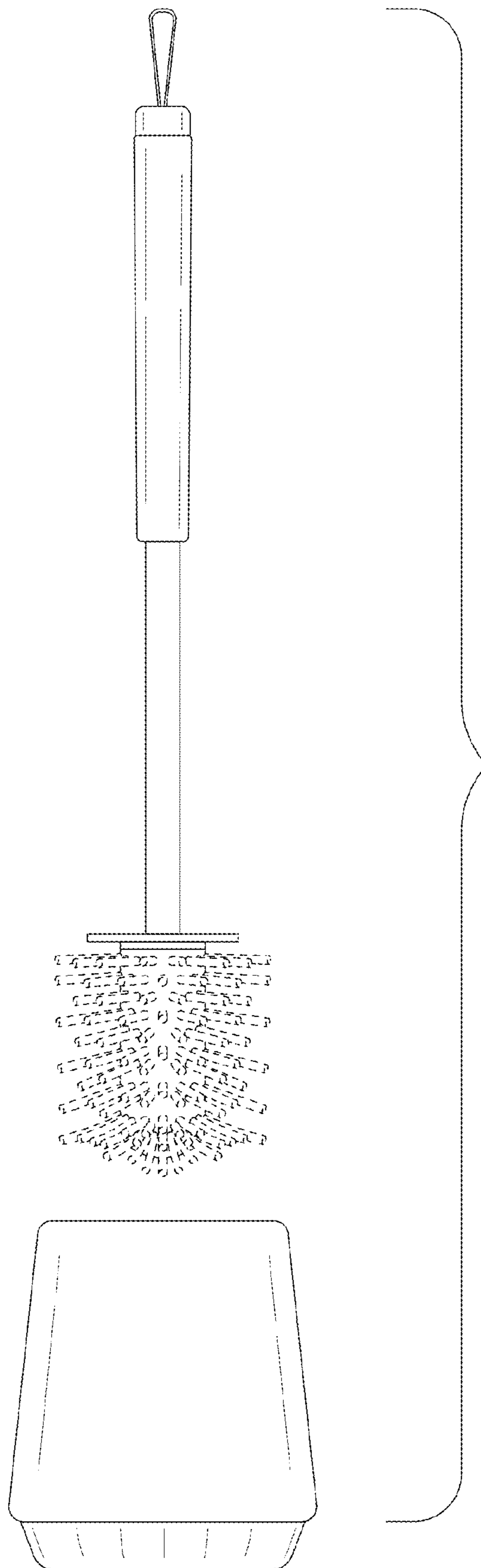


FIG. 8

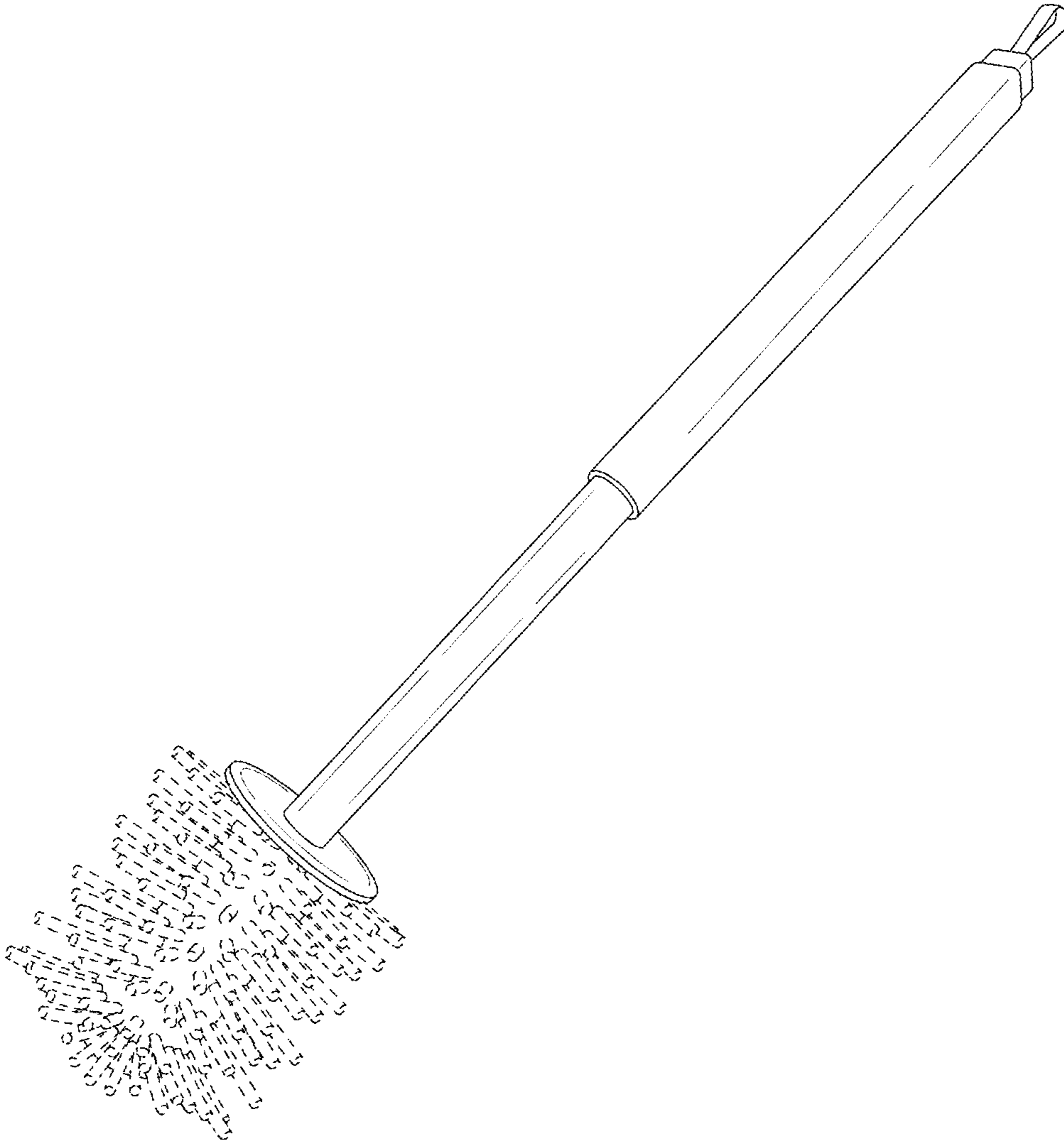


FIG.9

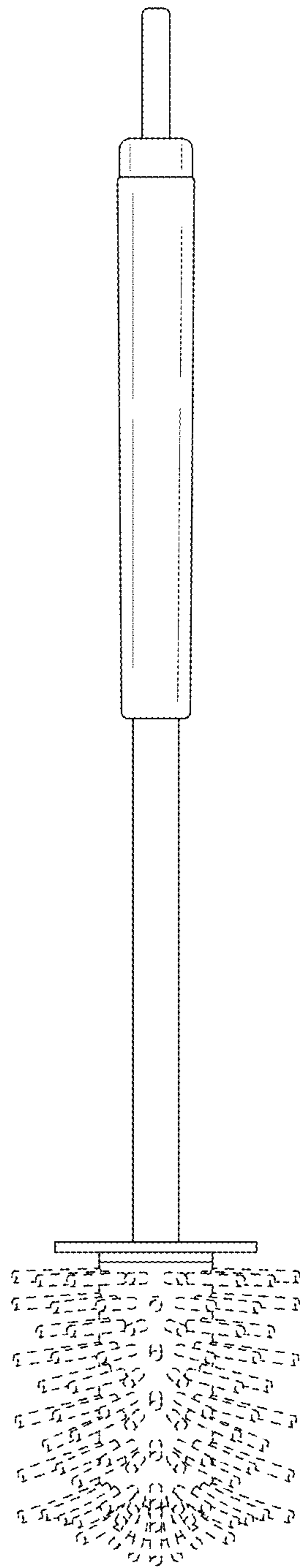


FIG.10

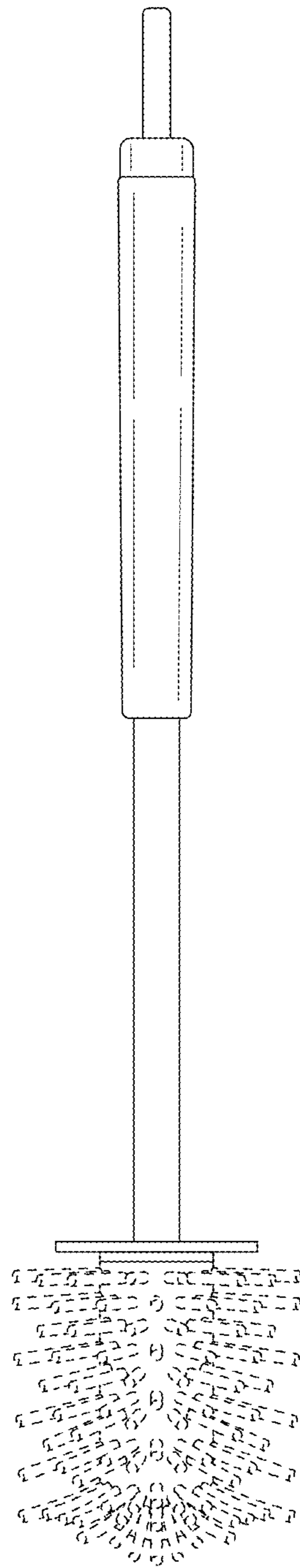


FIG.11

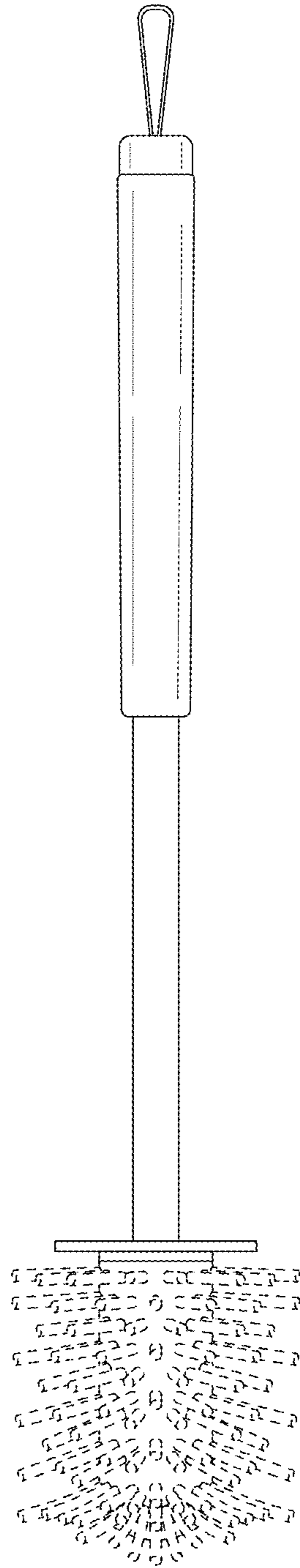


FIG.12

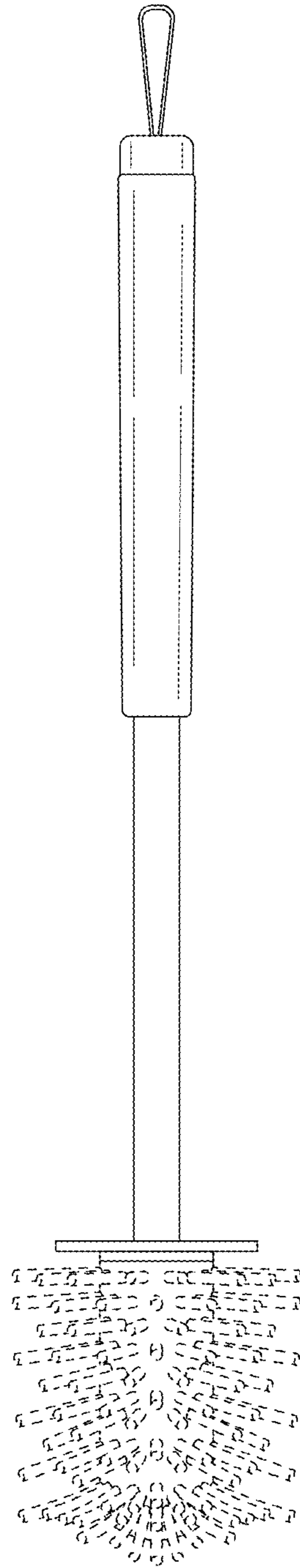


FIG.13

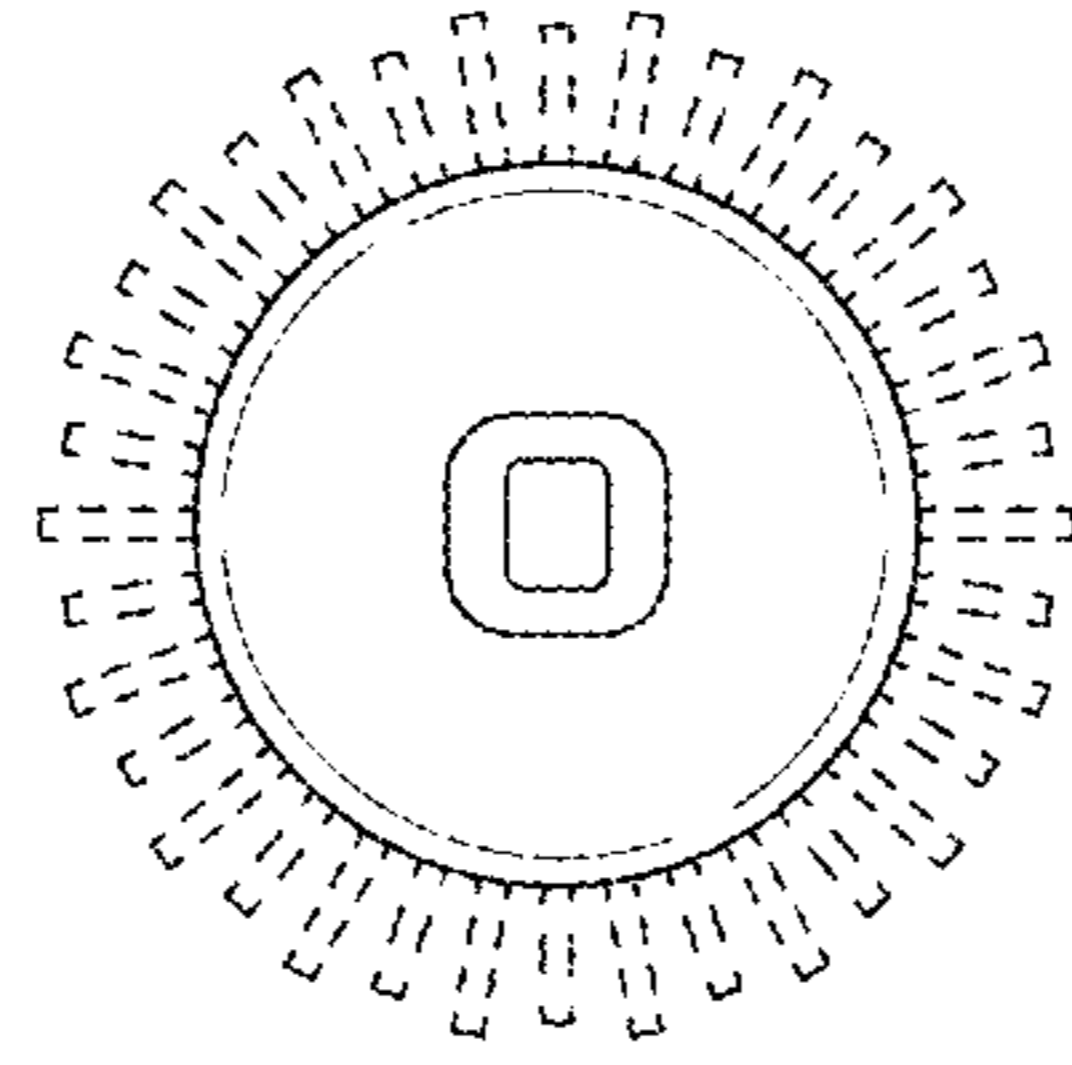


FIG. 14

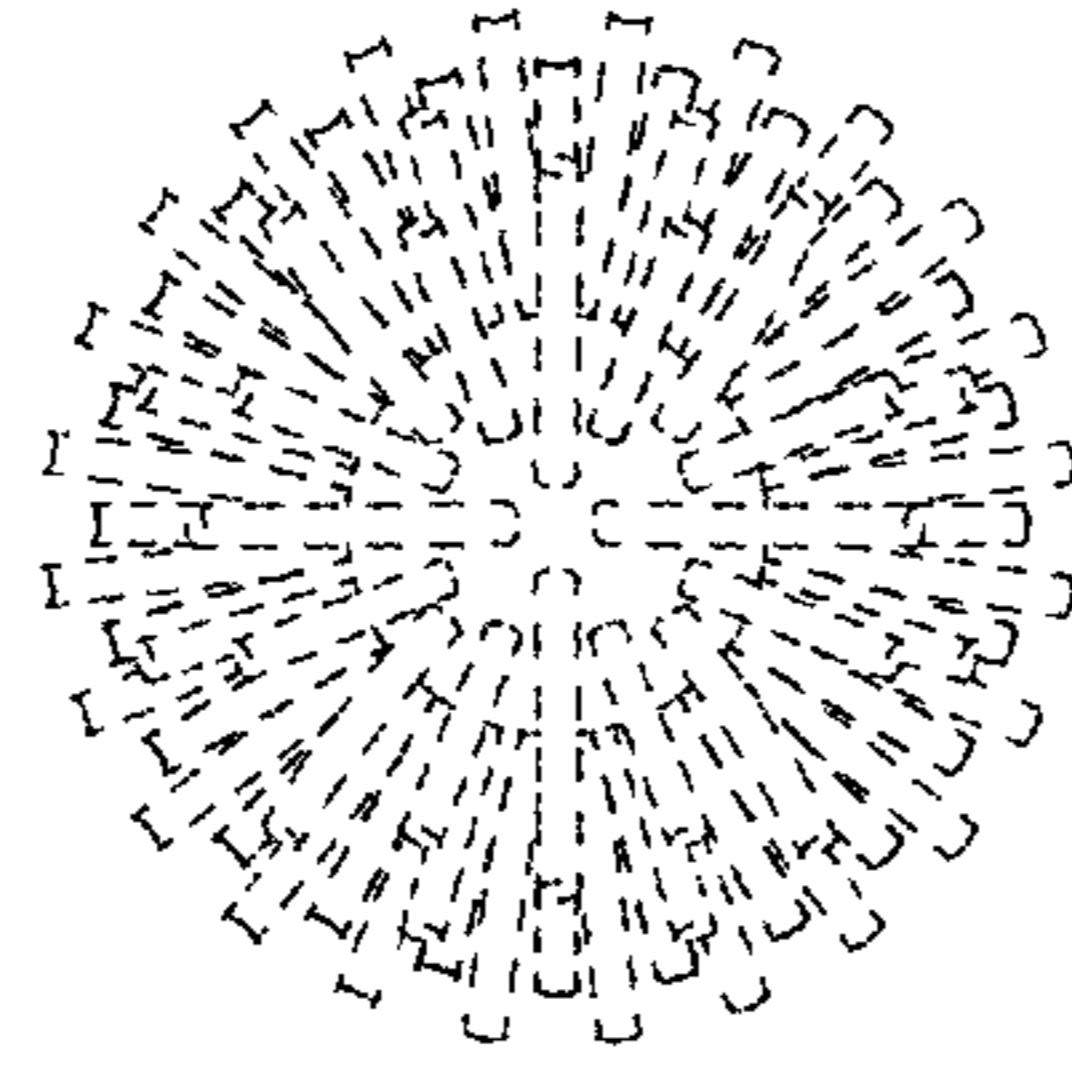


FIG.15

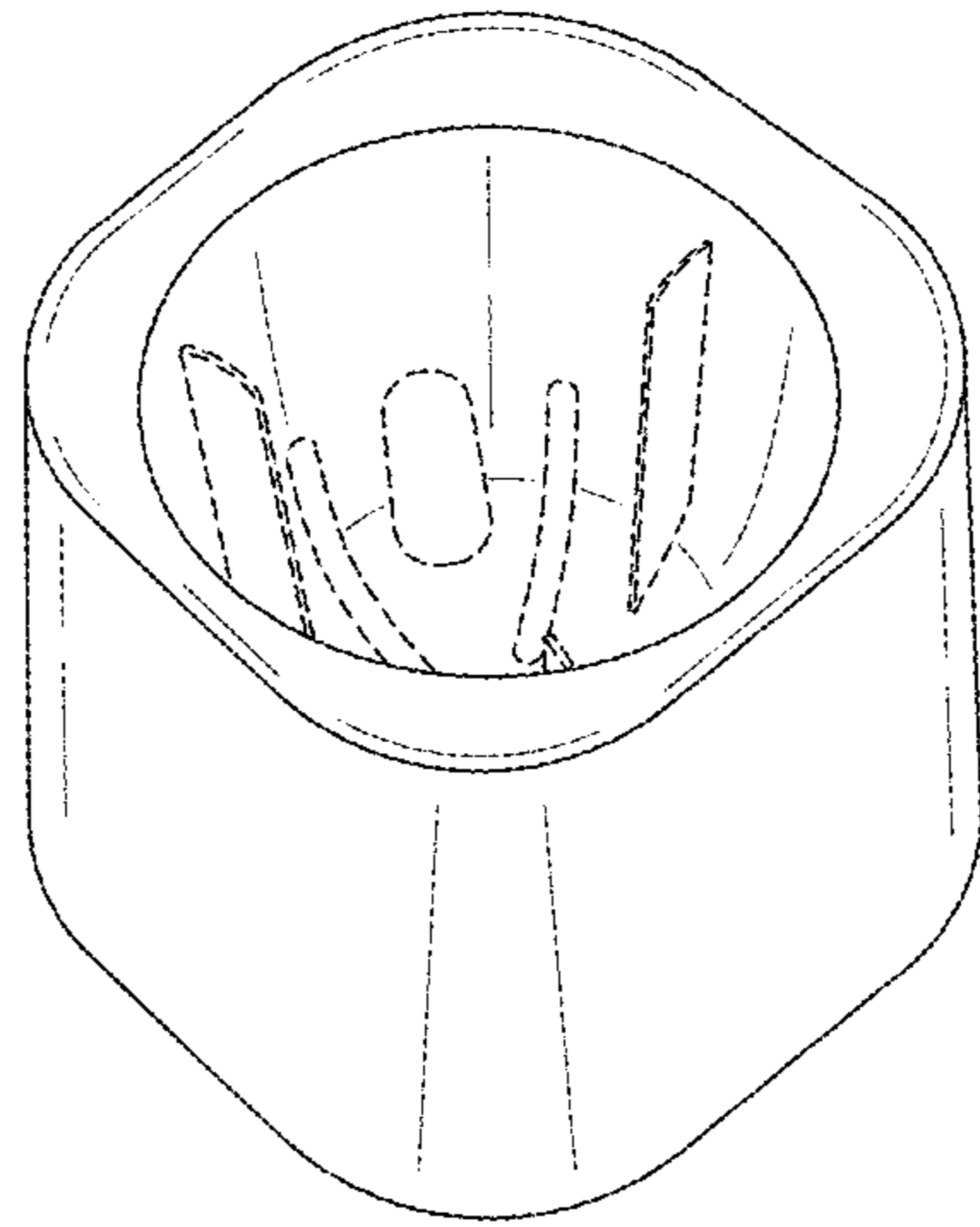


FIG.16

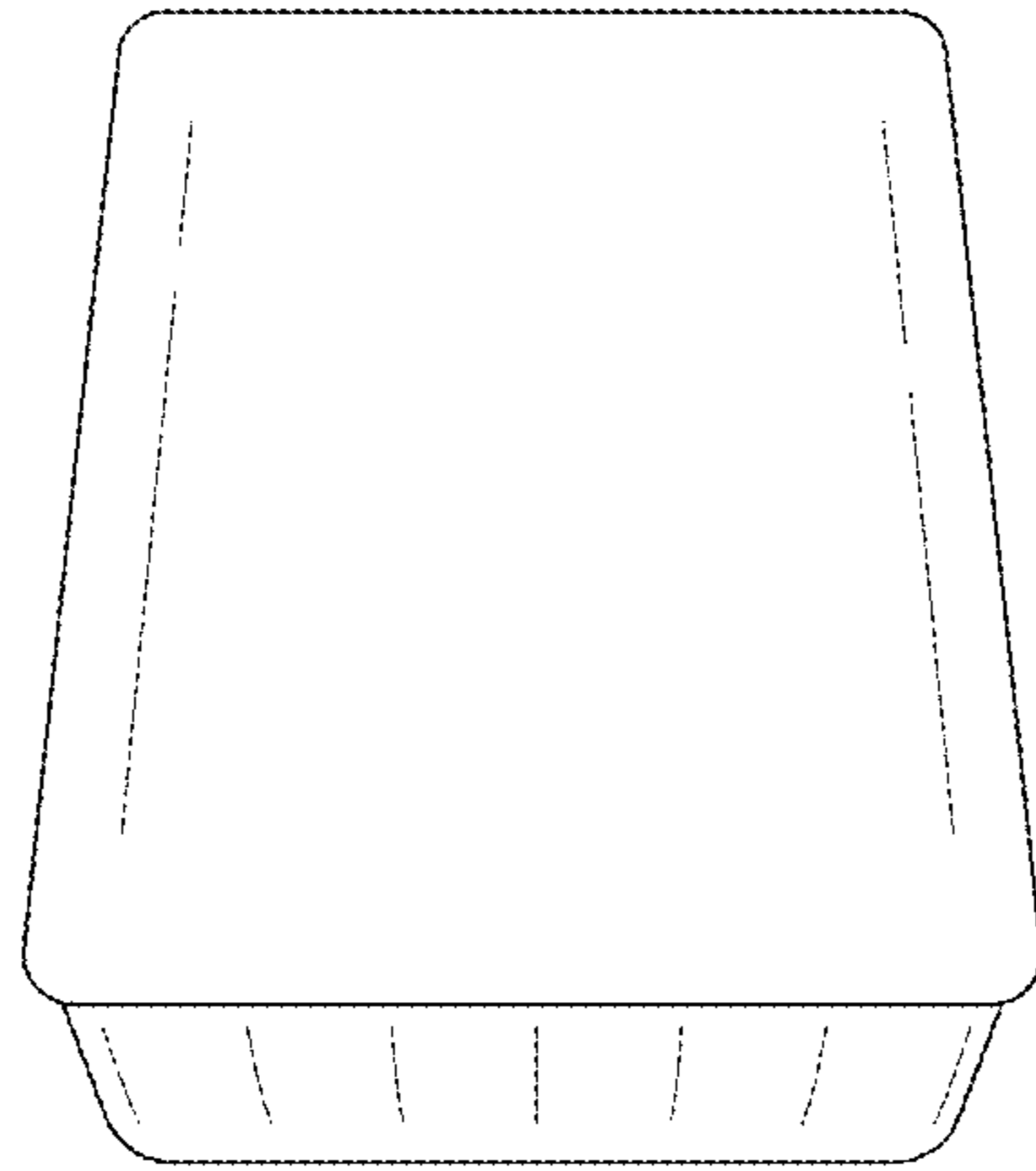


FIG.17

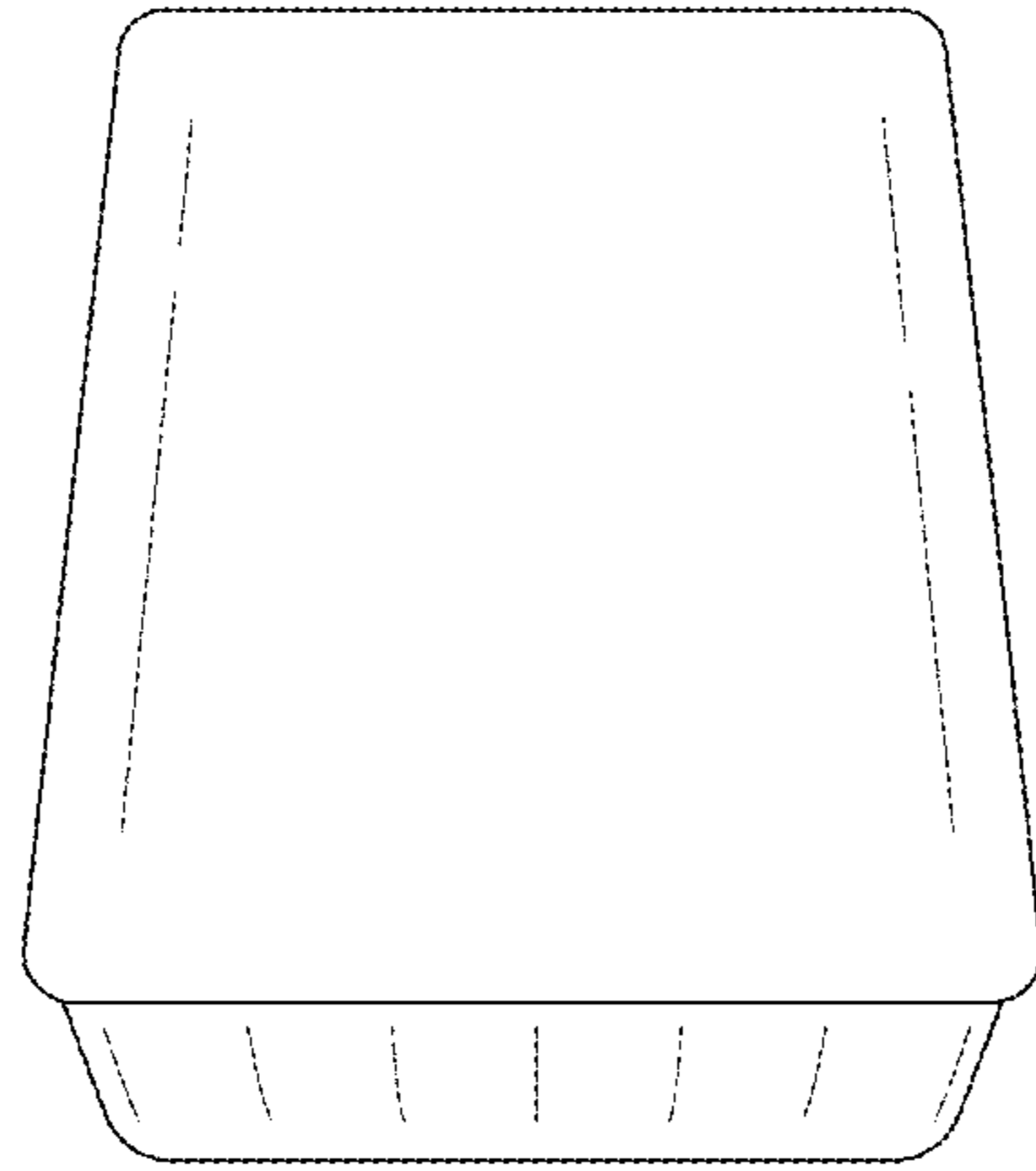


FIG.18

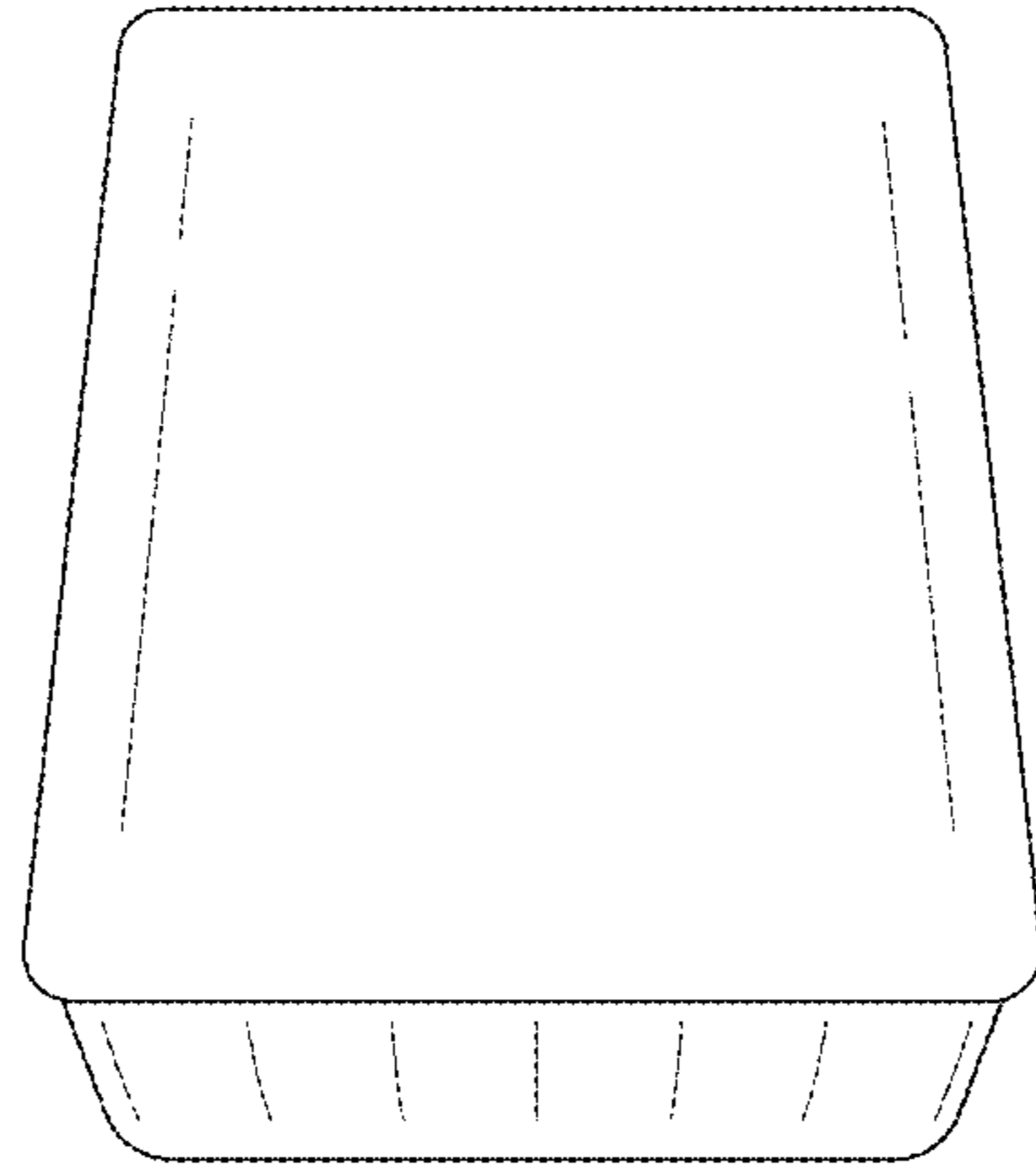


FIG.19

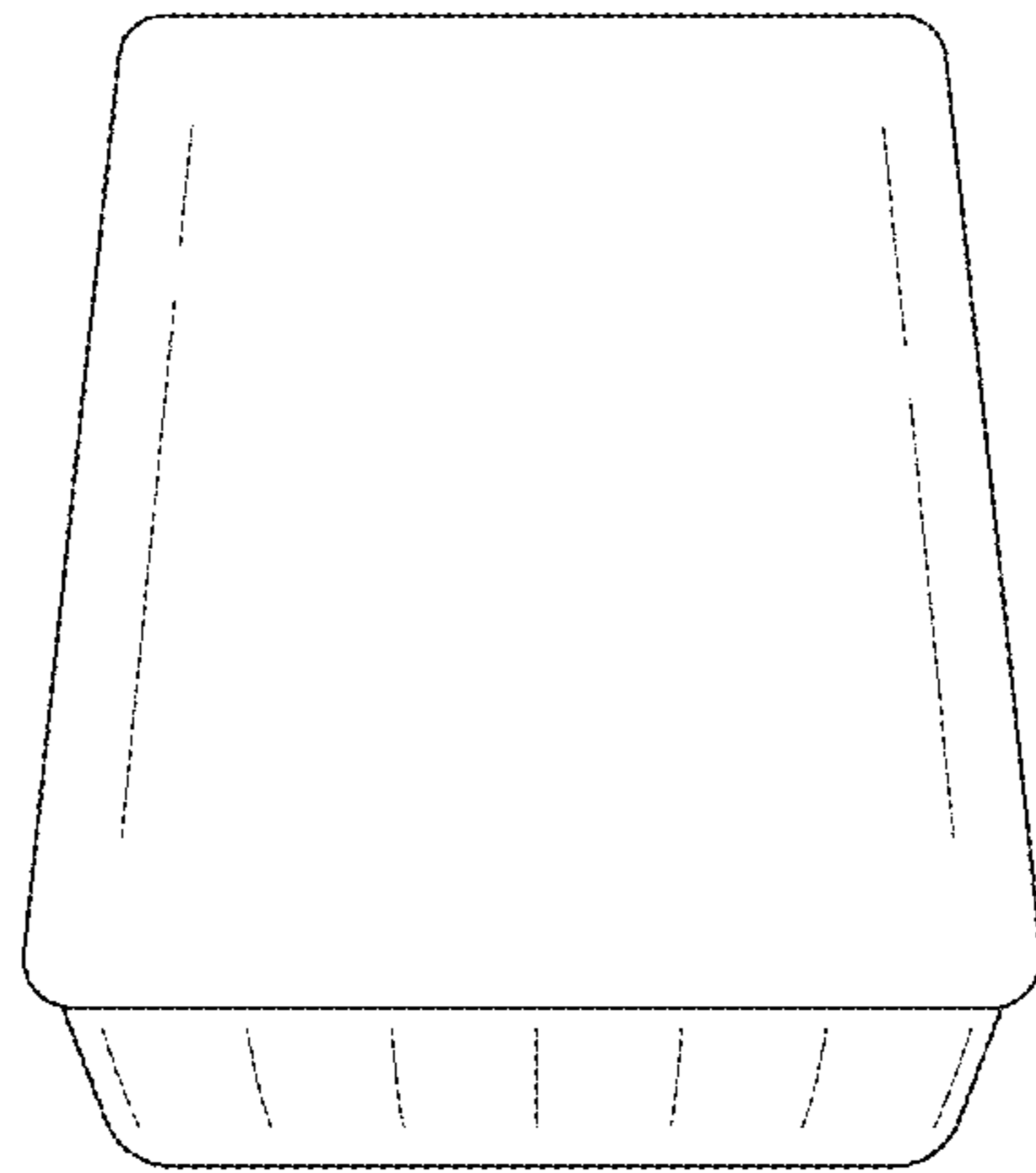


FIG.20

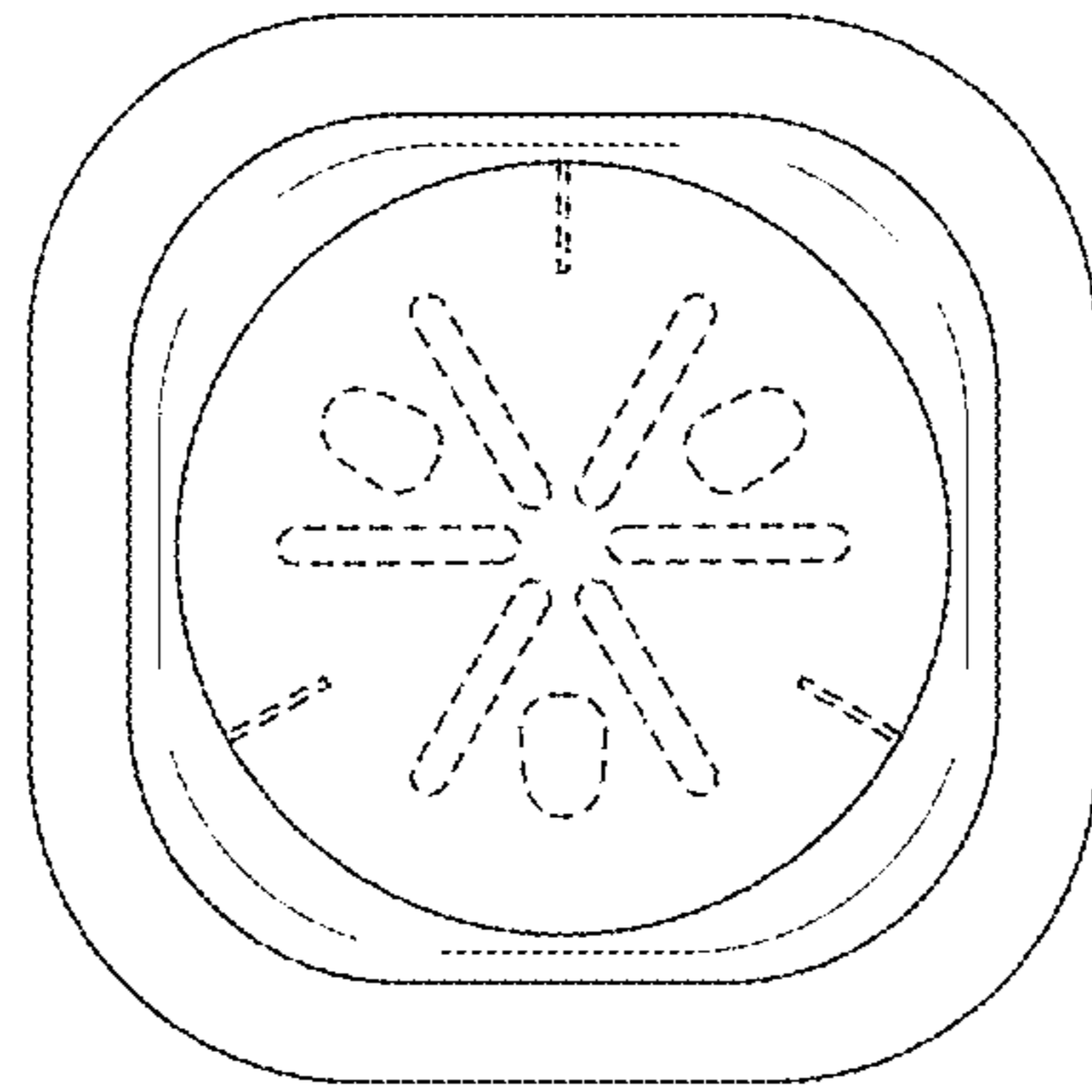


FIG. 21

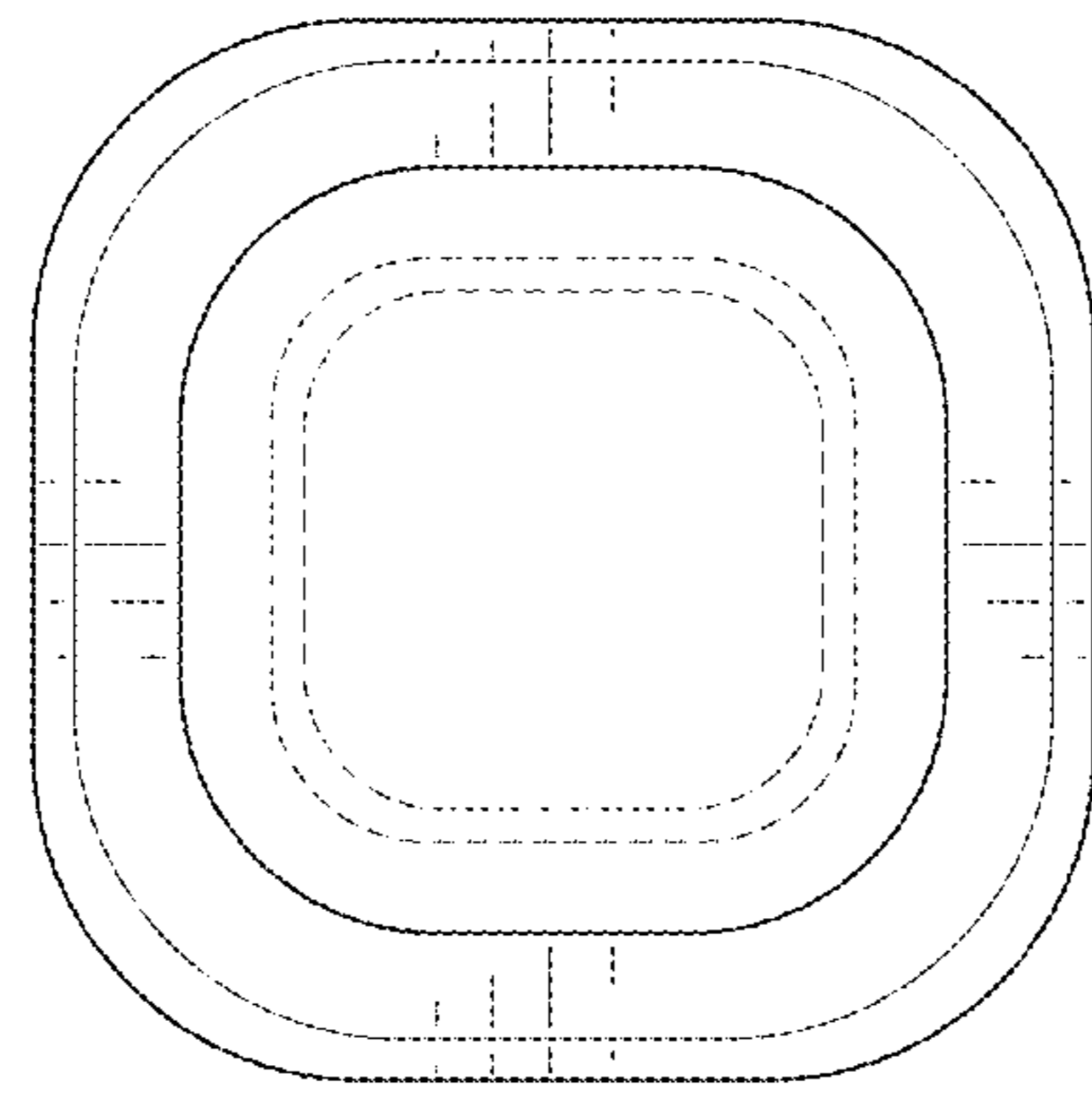


FIG. 22