



US00D946926S

(12) **United States Design Patent**
Hagleitner

(10) **Patent No.:** **US D946,926 S**
(45) **Date of Patent:** **** Mar. 29, 2022**

- (54) **HOLDER FOR ROLLS OF PAPER**
- (71) Applicant: **HAGLEITNER HYGIENE INTERNATIONAL GMBH, Maishofen (AT)**
- (72) Inventor: **Hans Georg Hagleitner, Zell am See (AT)**
- (73) Assignee: **Hagleitner Hygiene International GmbH, Maishofen (AT)**
- (**) Term: **15 Years**
- (21) Appl. No.: **29/802,866**
- (22) Filed: **Aug. 9, 2021**

CPC A47K 10/38; A47K 10/22; A47K 10/24;
A47K 17/03
See application file for complete search history.

(56) **References Cited**

U.S. PATENT DOCUMENTS

- 1,990,806 A * 2/1935 Watson B65G 39/12
193/37
- D171,604 S * 3/1954 Larson D6/523
- 3,373,529 A * 3/1968 Ingham E05F 3/00
49/381
- 3,602,450 A * 8/1971 Jespersen A47K 10/38
242/596.8
- 4,340,195 A * 7/1982 DeLuca A47K 10/3687
226/110

(Continued)

Primary Examiner — Richard E Chilcot

(74) *Attorney, Agent, or Firm* — Laurence A. Greenberg;
Werner H. Stemer; Ralph E. Locher

(57) **CLAIM**

The ornamental design for a holder for rolls of paper, as shown and described.

DESCRIPTION

FIG. 1 is a perspective view of the holder for rolls of paper showing my new design;
 FIG. 2 is a front elevation view thereof;
 FIG. 3 is a rear elevation view thereof;
 FIG. 4 is a top plan view thereof;
 FIG. 5 is bottom plan view thereof;
 FIG. 6 is a left side elevation view thereof;
 FIG. 7 is a right side elevation view thereof;
 FIG. 8 is a perspective view thereof;
 FIG. 9 is a front elevation view thereof;
 FIG. 10 is a rear elevation view thereof;
 FIG. 11 is a top plan view thereof;
 FIG. 12 is bottom plan view thereof;
 FIG. 13 is a left side elevation view thereof; and,
 FIG. 14 is a right side elevation view thereof.

1 Claim, 14 Drawing Sheets

Related U.S. Application Data

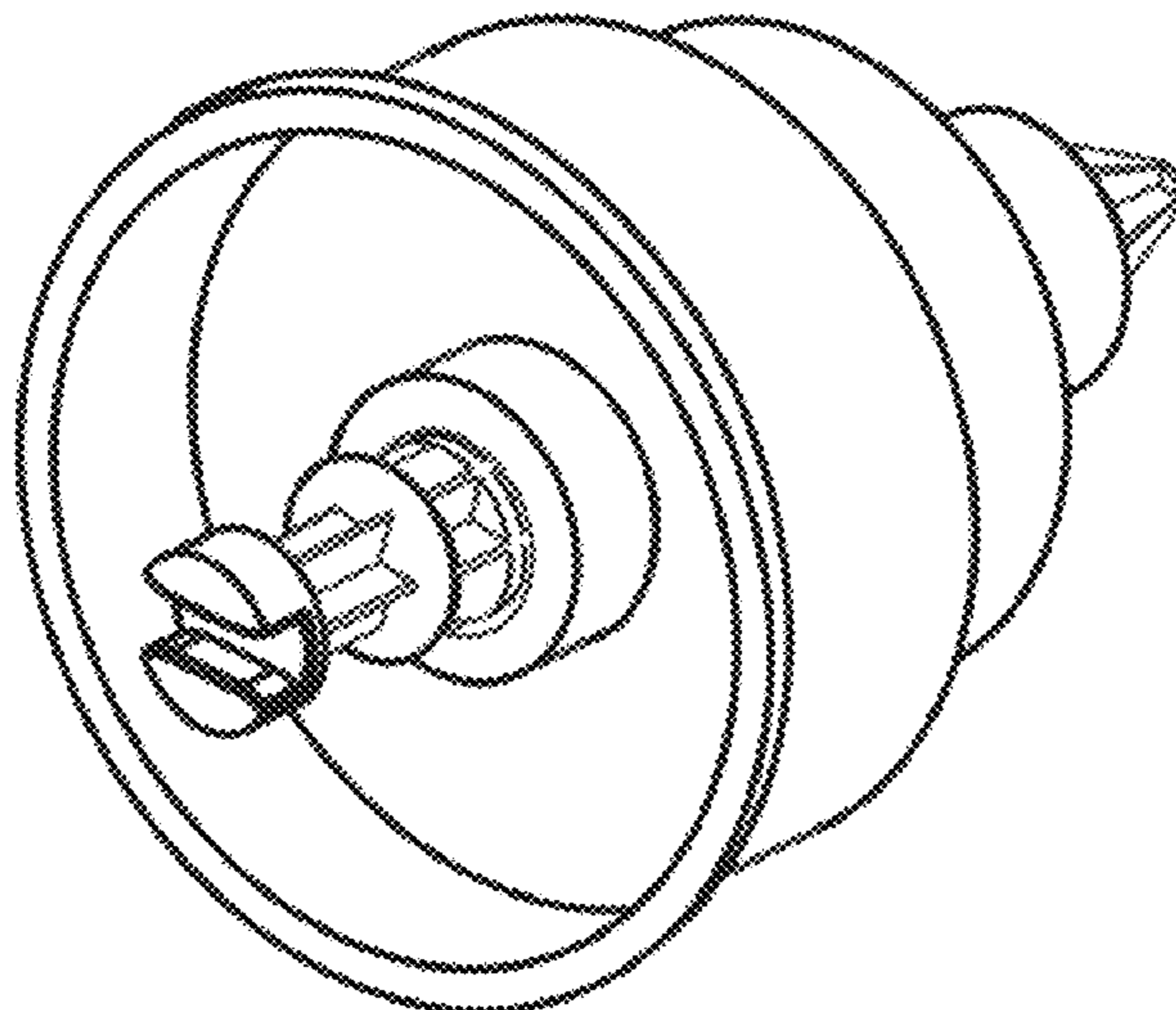
- (62) Division of application No. 35/509,688, filed on Dec. 20, 2019 (U.S. filing date under 35 U.S.C. 384), and having an international filing date of Dec. 20, 2019.

Foreign Application Priority Data

- Jun. 26, 2019 (EM) 6596144
- (51) **LOC (13) Cl.** **23-02**
- (52) **U.S. Cl.**
USPC **D6/523**
CPC **A47K 10/38** (2013.01)

(58) **Field of Classification Search**

USPC D6/518–523; 211/13.1, 16, 85.5, 86.01, 211/87.01, 88.04, 100, 105.1, 105.2, 106, 211/113, 12, 3, 181.1, 182–183; 242/570, 242/590, 596–599, 599.1–599.4; 225/39, 225/46, 47, 77; 248/49, 175, 176.1, 200, 248/201, 205.1, 251, 302, 309.1, 309.2, 248/315; 384/295, 418–439; D8/300, D8/315, 370, 310; D7/393, 394, 396, D7/543, 545, 547, 548; D10/102, D10/122–132; D23/238, 249, 250, 252, D23/254, 421



(56)

References Cited

U.S. PATENT DOCUMENTS

D296,963 S * 8/1988 Smallwood D6/523
 5,249,755 A * 10/1993 Jespersen A47K 10/38
 242/596.7
 5,495,997 A * 3/1996 Moody A47K 10/38
 242/560
 5,577,686 A * 11/1996 Moody A47K 10/3836
 242/597.4
 5,630,563 A * 5/1997 Meisner B65H 35/002
 225/43
 5,669,576 A * 9/1997 Moody A47K 10/38
 242/560.3
 5,676,331 A * 10/1997 Weber B65H 75/185
 242/560
 5,988,561 A * 11/1999 Mele A47K 10/40
 242/599.1
 6,082,664 A * 7/2000 Phelps A47K 10/38
 242/560
 6,367,734 B1 * 4/2002 Cartwright A47K 10/40
 242/598.1
 6,581,295 B1 * 6/2003 Black B65H 75/406
 33/1 LE
 6,688,551 B1 * 2/2004 He A47K 10/40
 239/52
 6,814,684 B2 * 11/2004 Schulz F16H 57/08
 475/331
 D611,967 S * 3/2010 Hjort D15/138
 7,828,240 B2 * 11/2010 Hagleitner A47K 10/38
 242/598.3
 D630,874 S * 1/2011 Moller D6/518
 D635,806 S * 4/2011 Bodum D6/521
 D703,461 S * 4/2014 Myron D6/523

8,783,600 B1 * 7/2014 Myron A47K 10/16
 242/596.7
 D719,374 S * 12/2014 Myron D6/523
 D731,202 S * 6/2015 Newson D6/523
 D739,158 S * 9/2015 Pan D6/518
 9,234,338 B2 * 1/2016 Irwin A47G 27/0206
 9,278,152 B2 * 3/2016 Irwin A61L 9/05
 9,675,217 B2 * 6/2017 Hagleitner A47K 10/3845
 D792,122 S * 7/2017 Hagleitner D6/523
 D830,079 S * 10/2018 Hagleitner D6/523
 D835,921 S * 12/2018 Hagleitner D6/523
 D835,922 S * 12/2018 Hagleitner D6/523
 D836,941 S * 1/2019 Hagleitner D6/523
 D837,558 S * 1/2019 Hagleitner D6/523
 D840,710 S * 2/2019 Hagleitner D6/523
 D843,129 S * 3/2019 Hagleitner D6/523
 10,383,487 B2 * 8/2019 Hagleitner A47K 10/22
 D859,878 S * 9/2019 Hagleitner D6/523
 10,493,177 B2 * 12/2019 Knapp A61L 9/012
 2002/0134881 A1 * 9/2002 Hoernig A47K 10/40
 242/599.1
 2002/0185511 A1 * 12/2002 Huang B65H 35/0026
 225/47
 2003/0071052 A1 * 4/2003 Castleberry G07F 11/54
 221/132
 2008/0229791 A1 * 9/2008 Granger A47K 10/38
 70/182
 2012/0097789 A1 * 4/2012 Benedetti A47K 10/38
 242/598.3
 2012/0111988 A1 * 5/2012 Dean B65H 16/005
 242/597.6
 2014/0353418 A1 * 12/2014 Hagleitner A47K 10/3845
 242/599.2
 2014/0361117 A1 * 12/2014 Hagleitner A47K 10/3845
 242/599.3

* cited by examiner

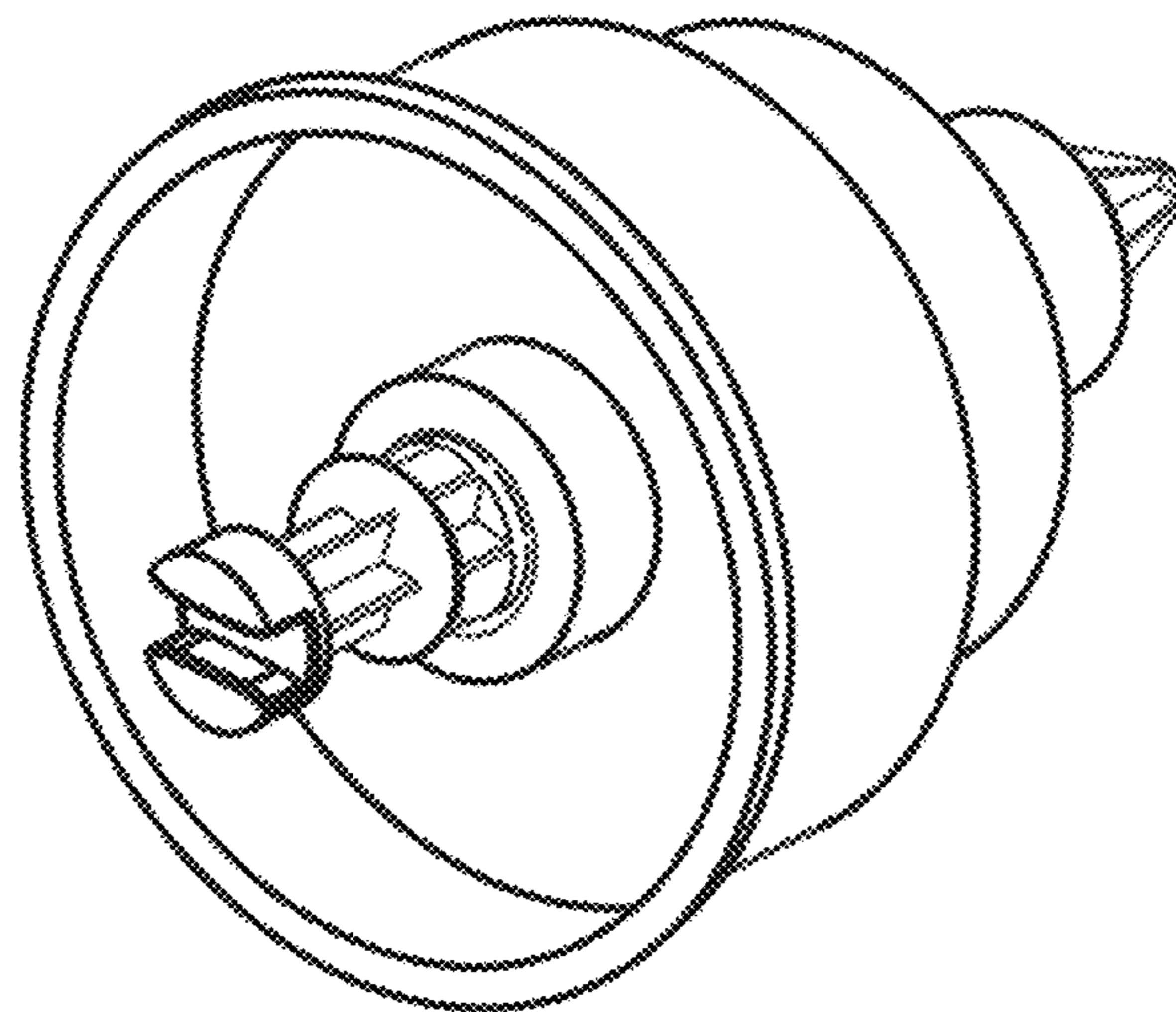


FIG. 1

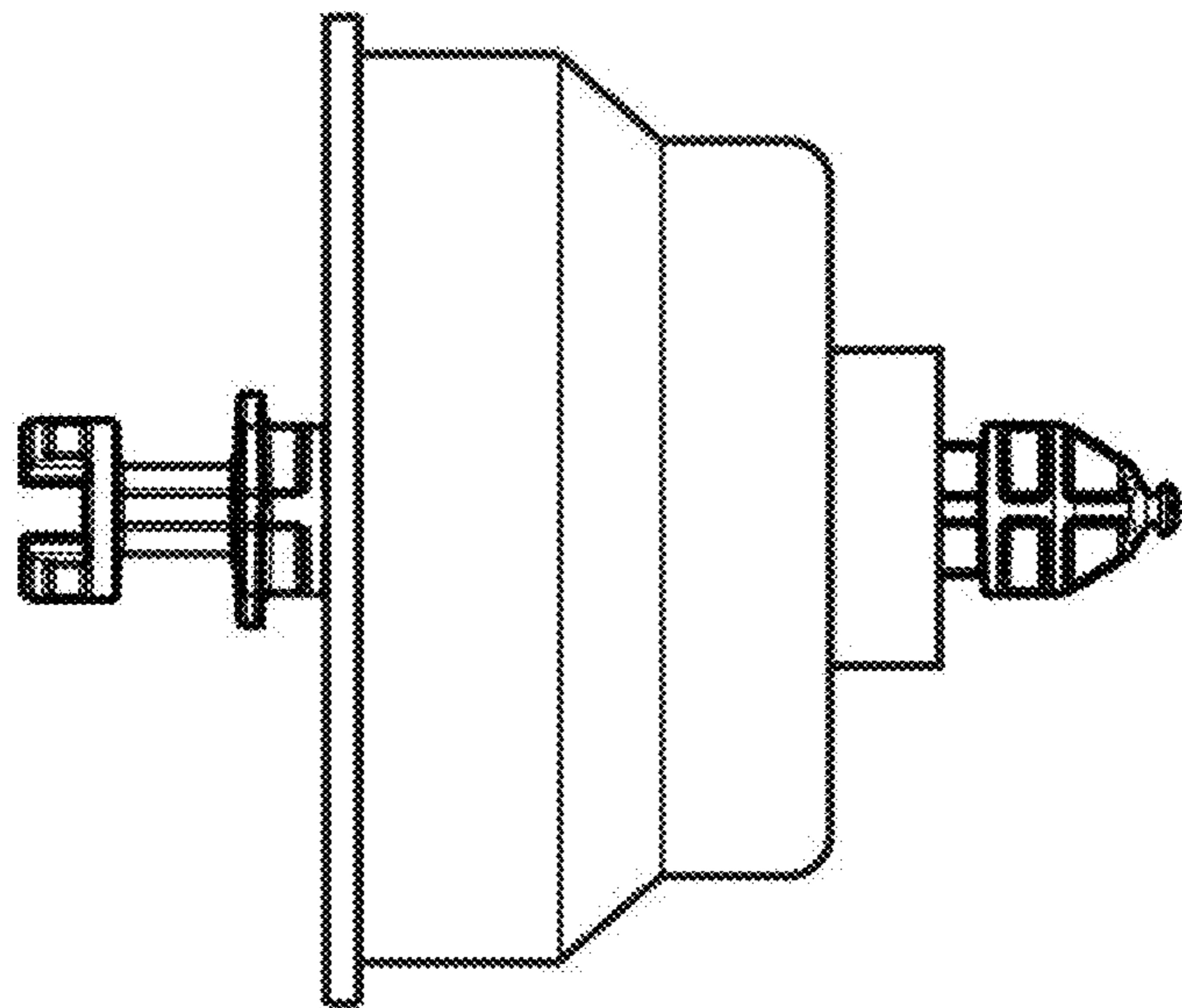


FIG. 2

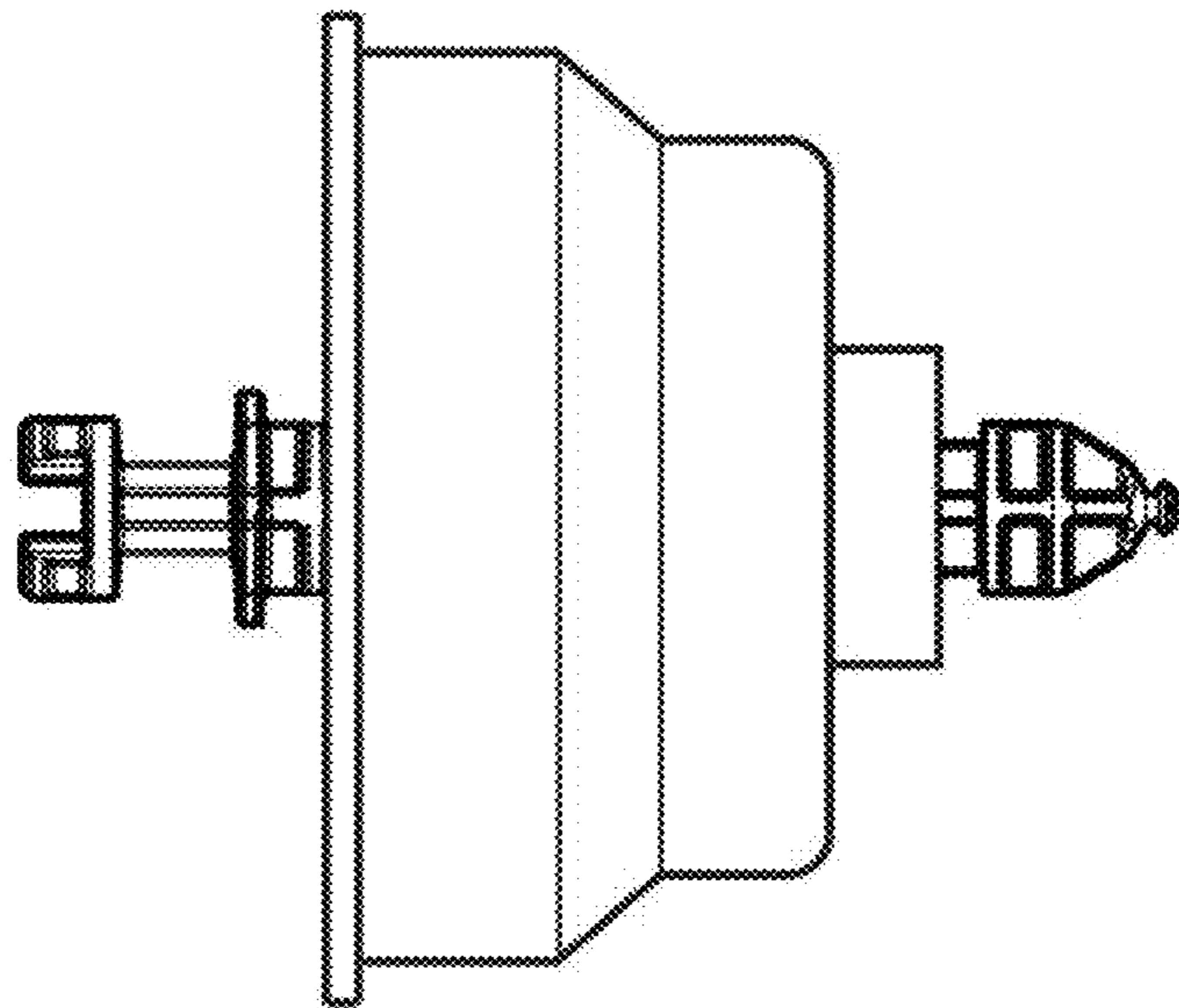


FIG. 3

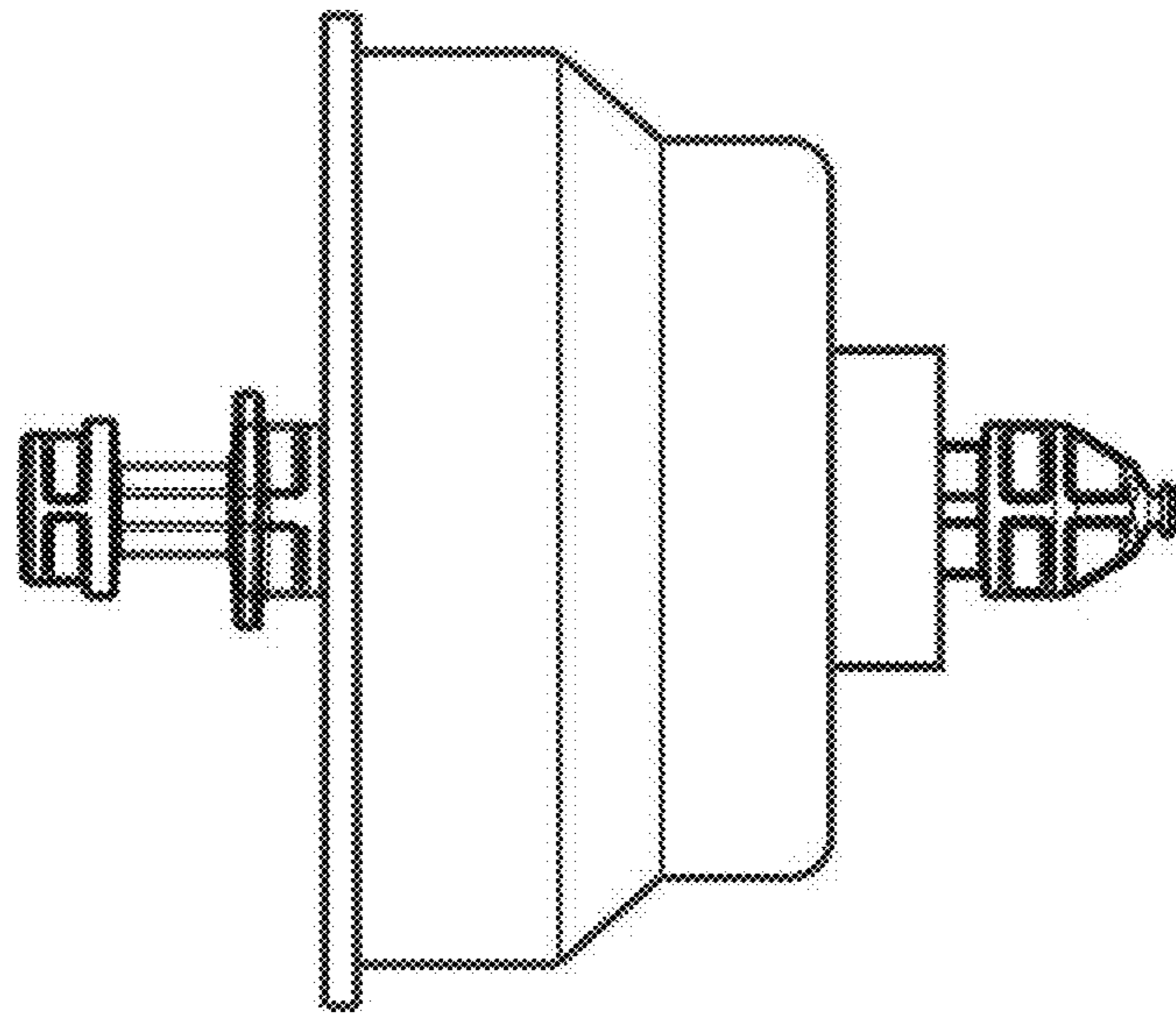


FIG. 4

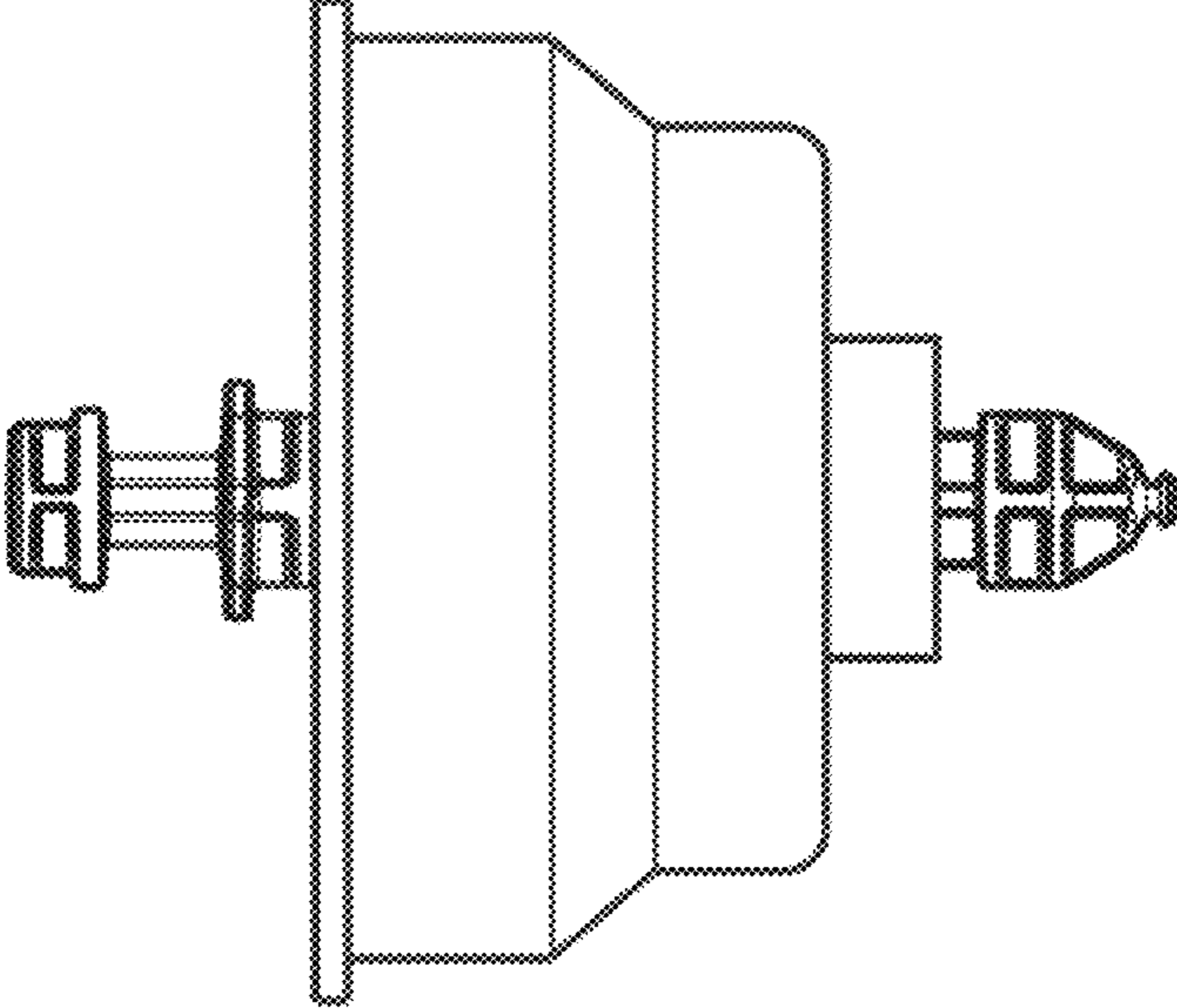


FIG. 5

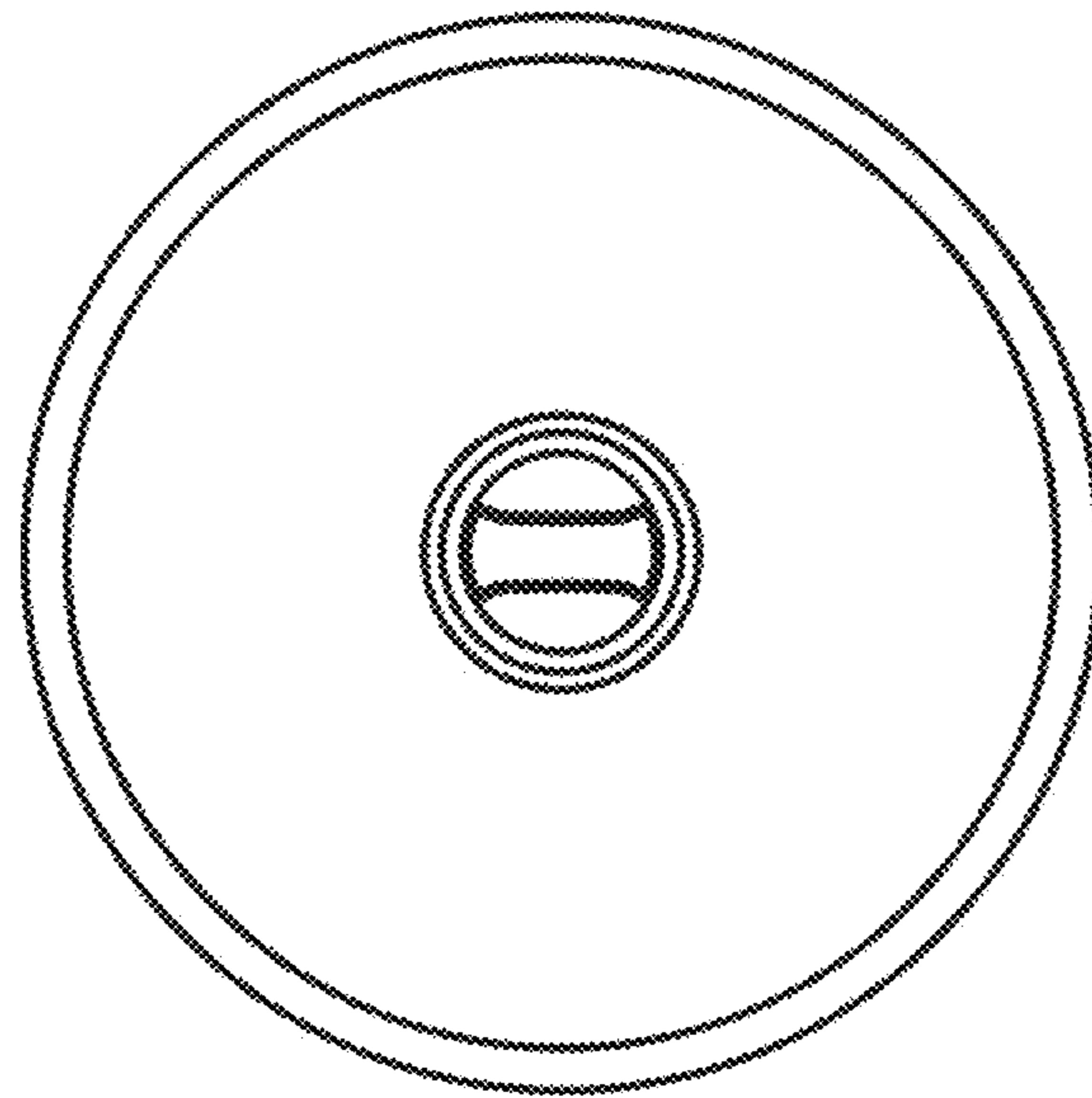


FIG. 6

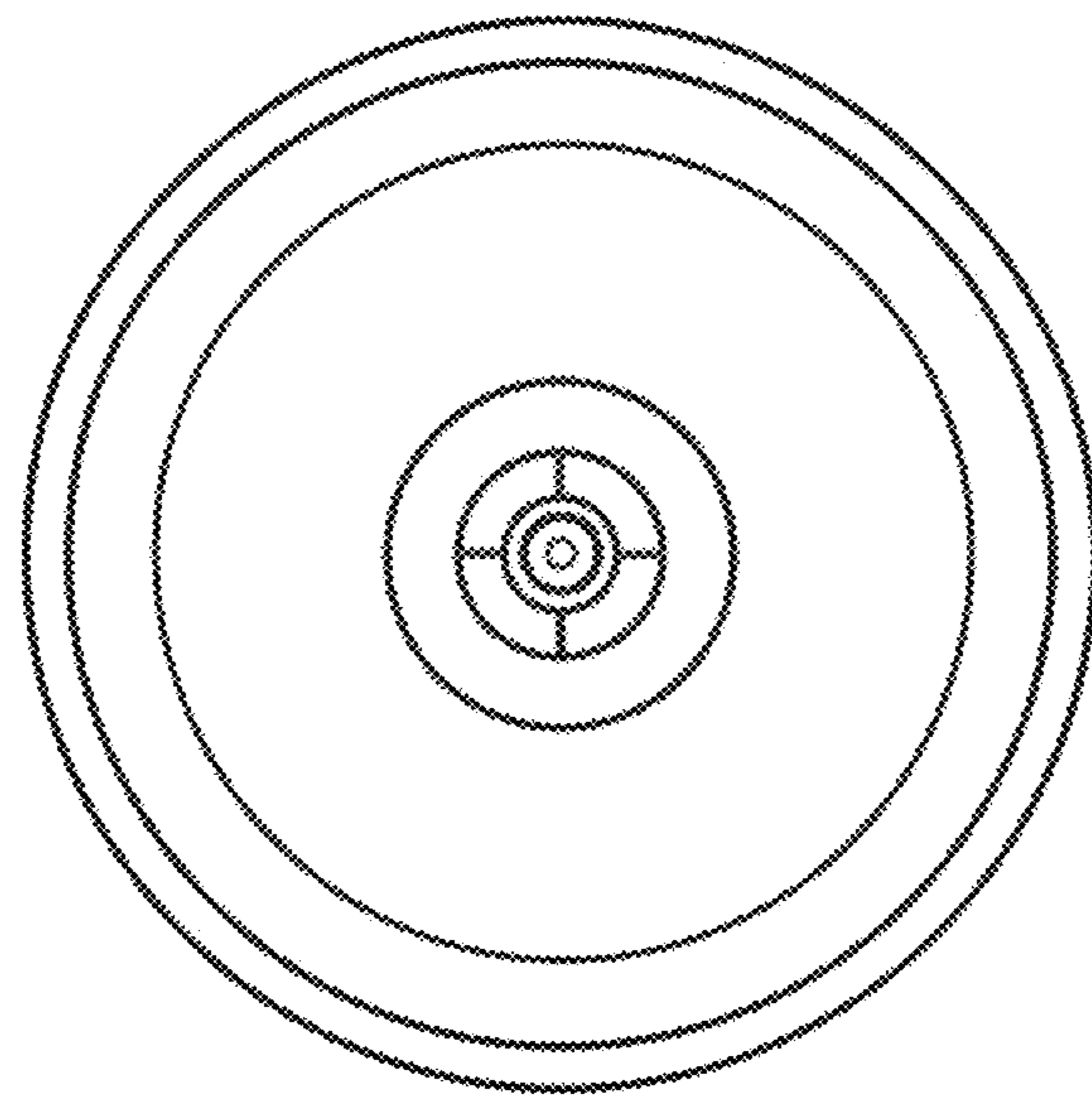


FIG. 7

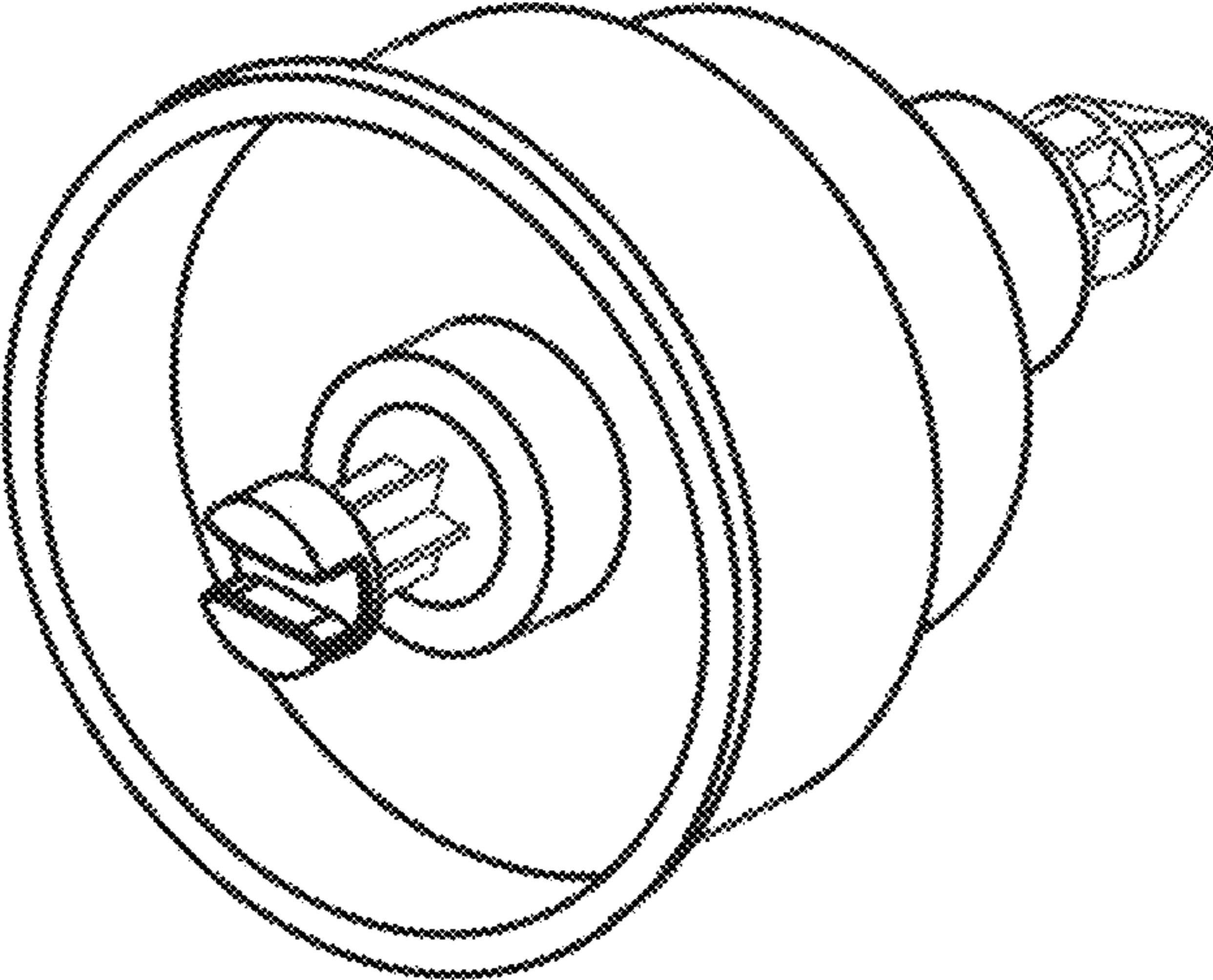


FIG. 8

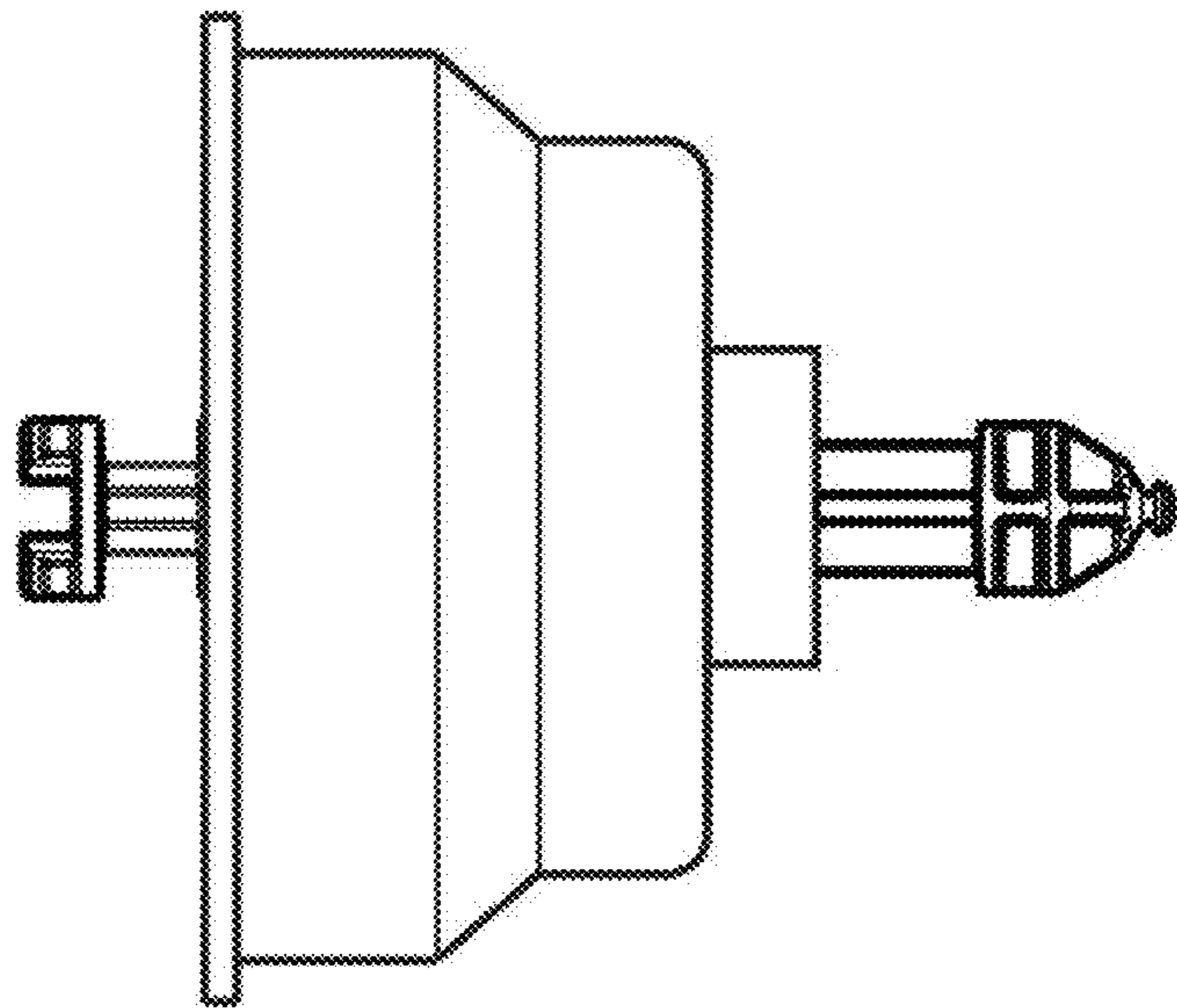


FIG. 9

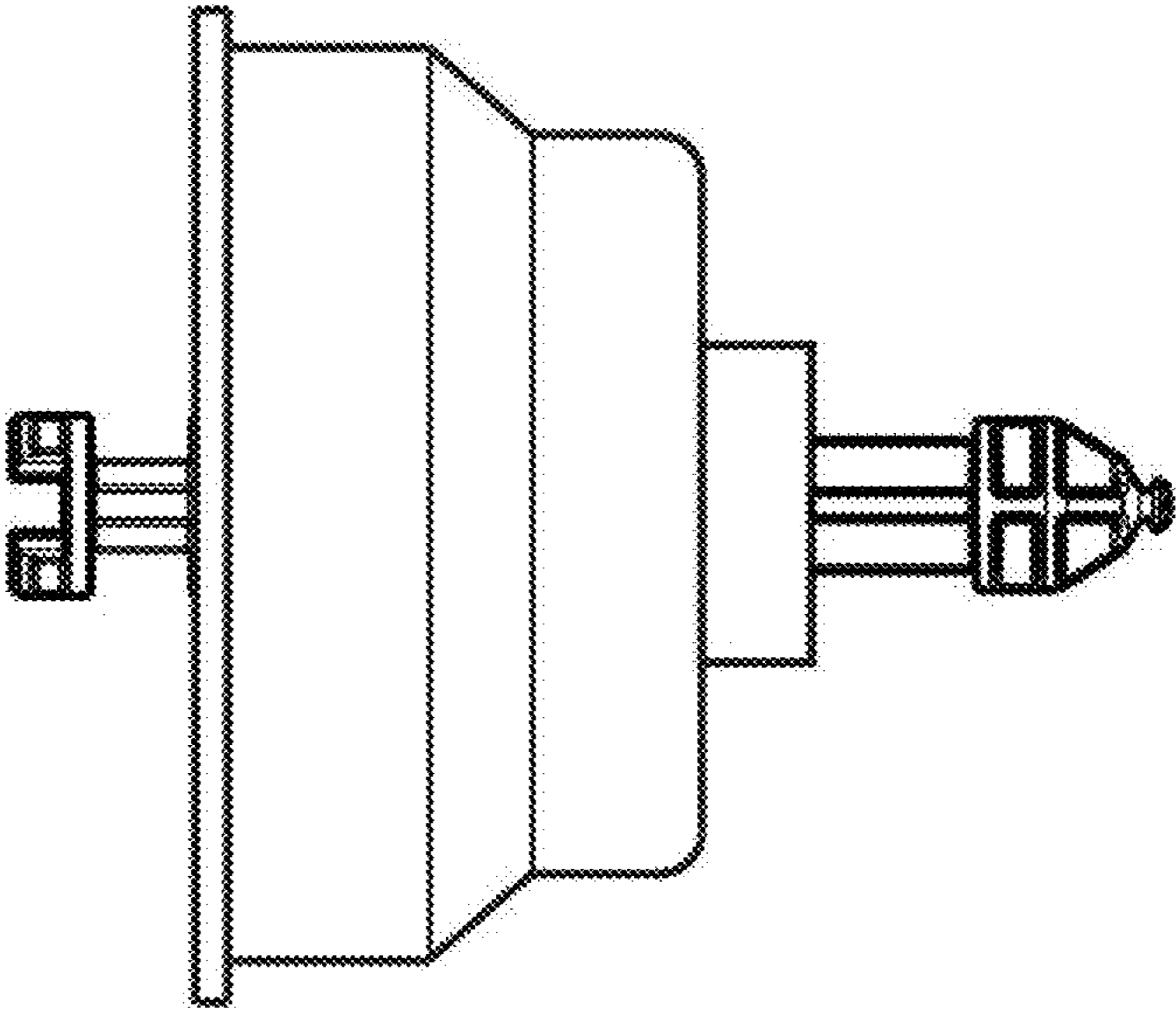


FIG. 10

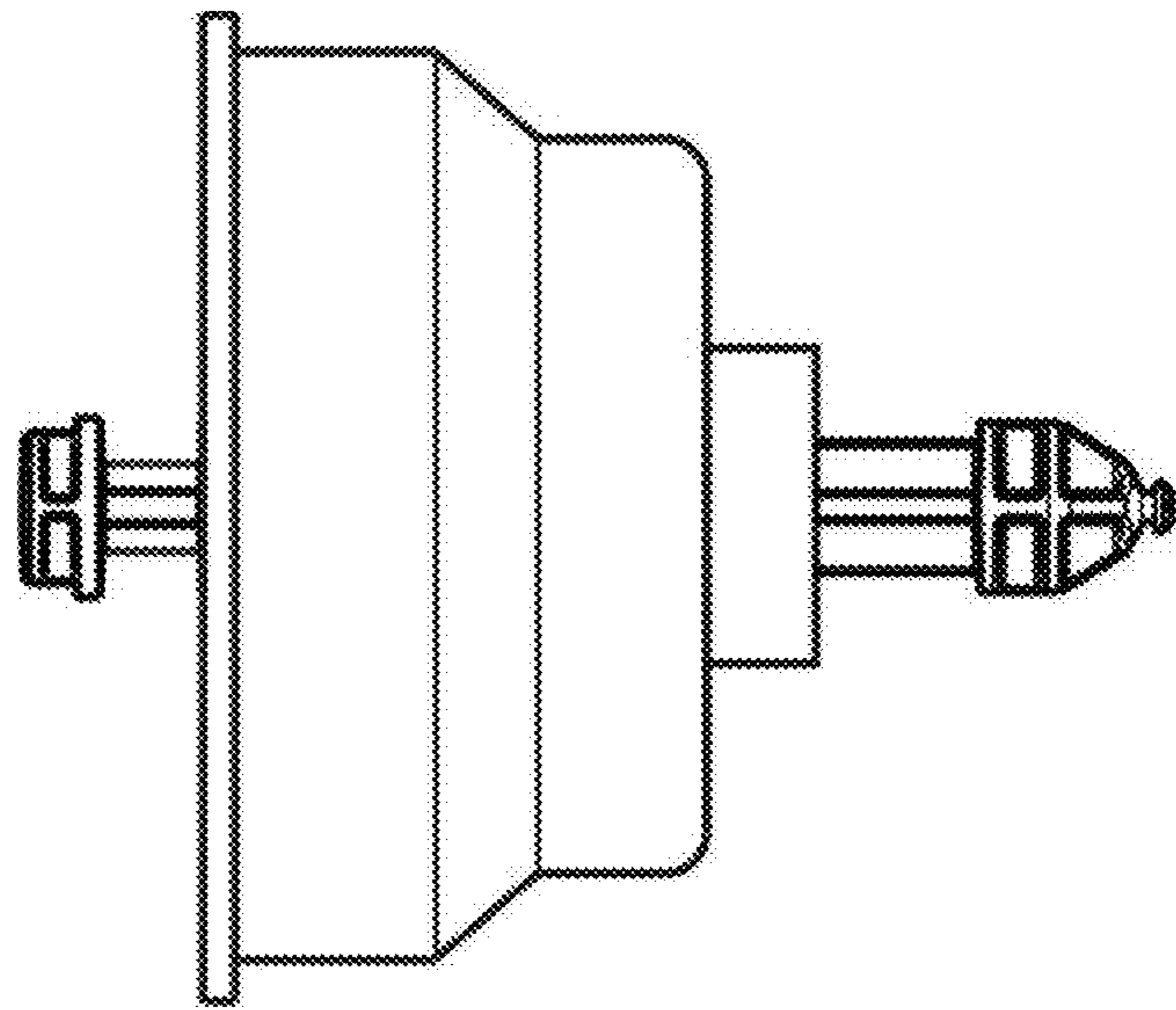


FIG. 11

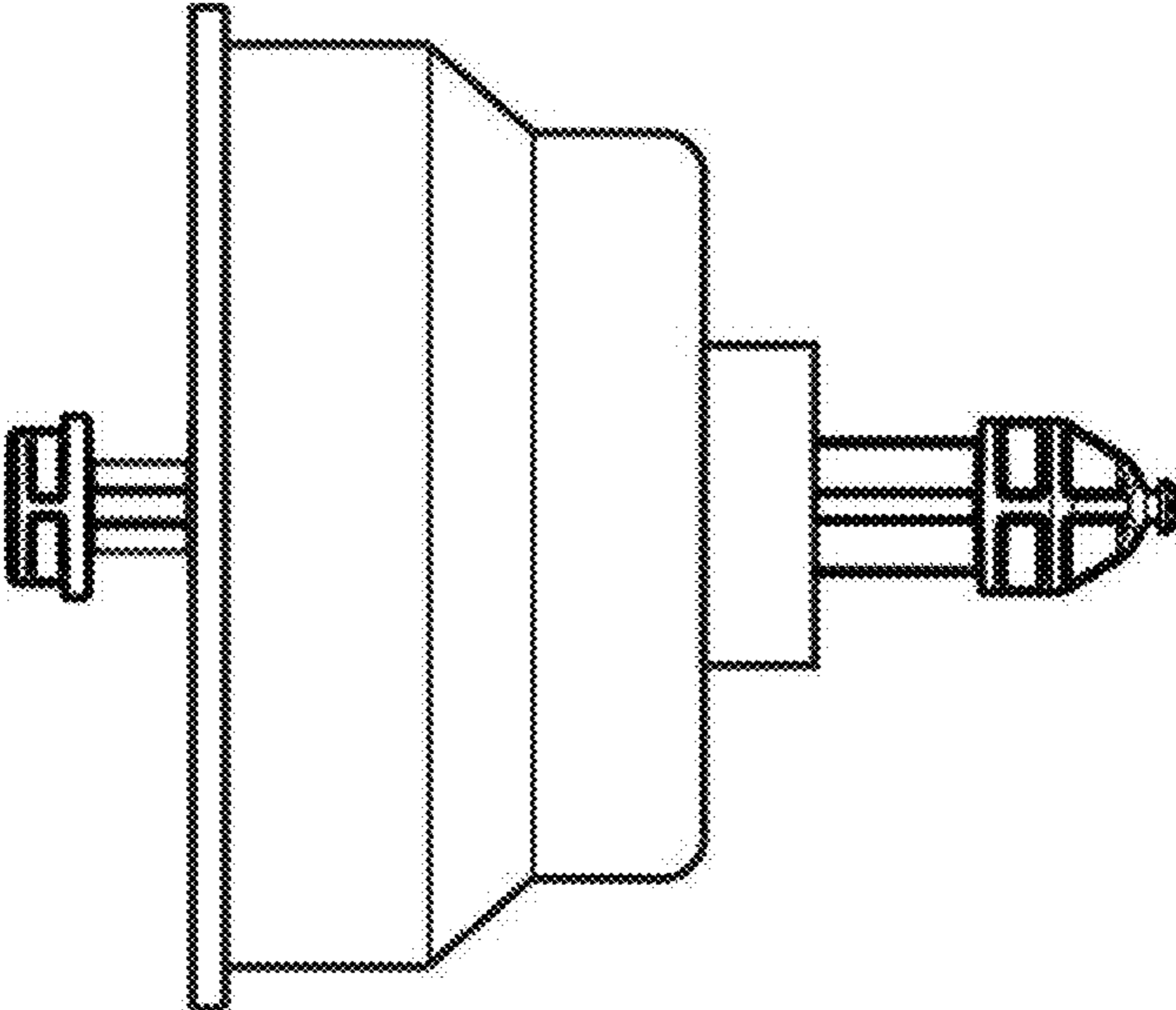


FIG. 12

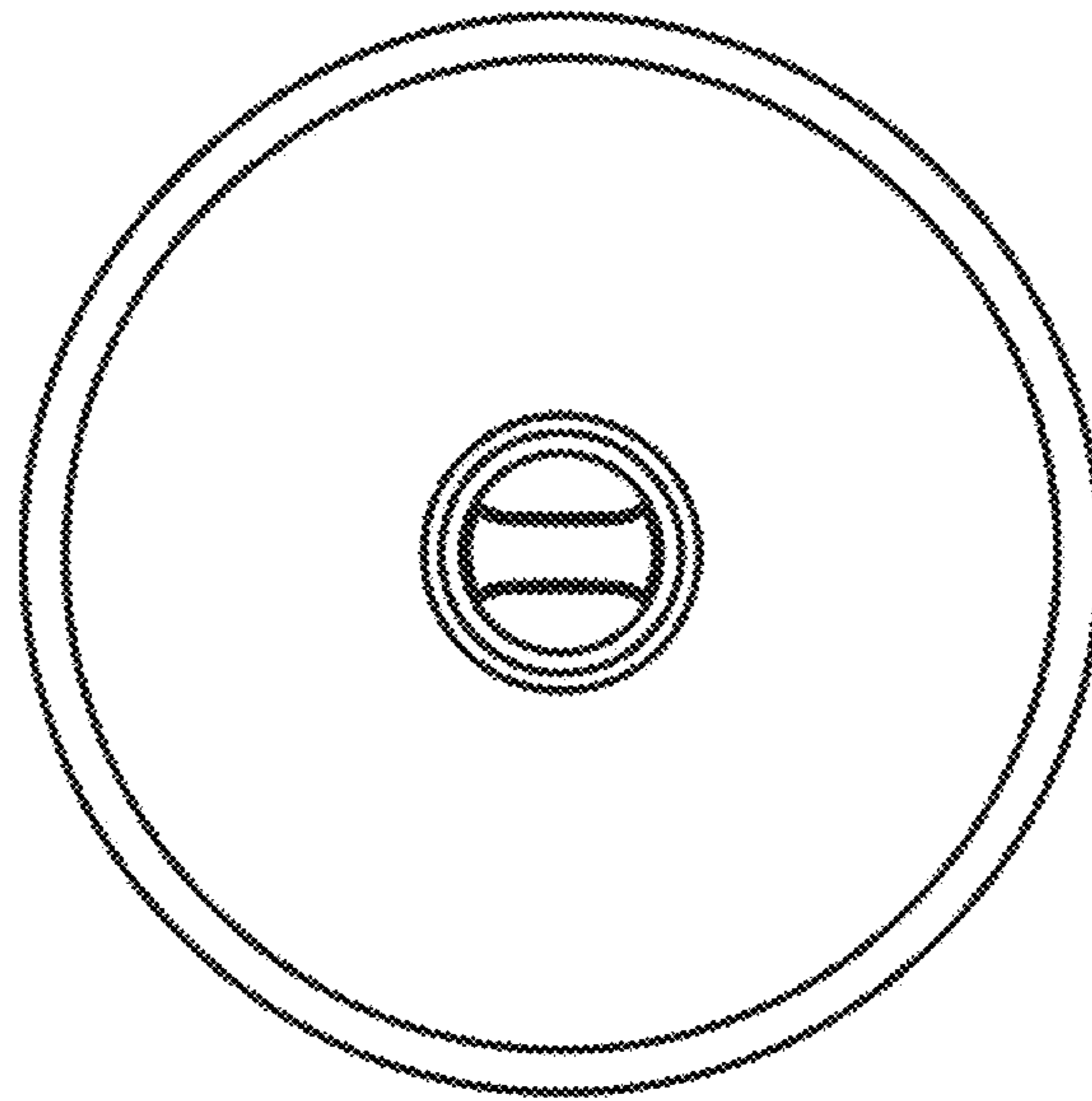


FIG. 13

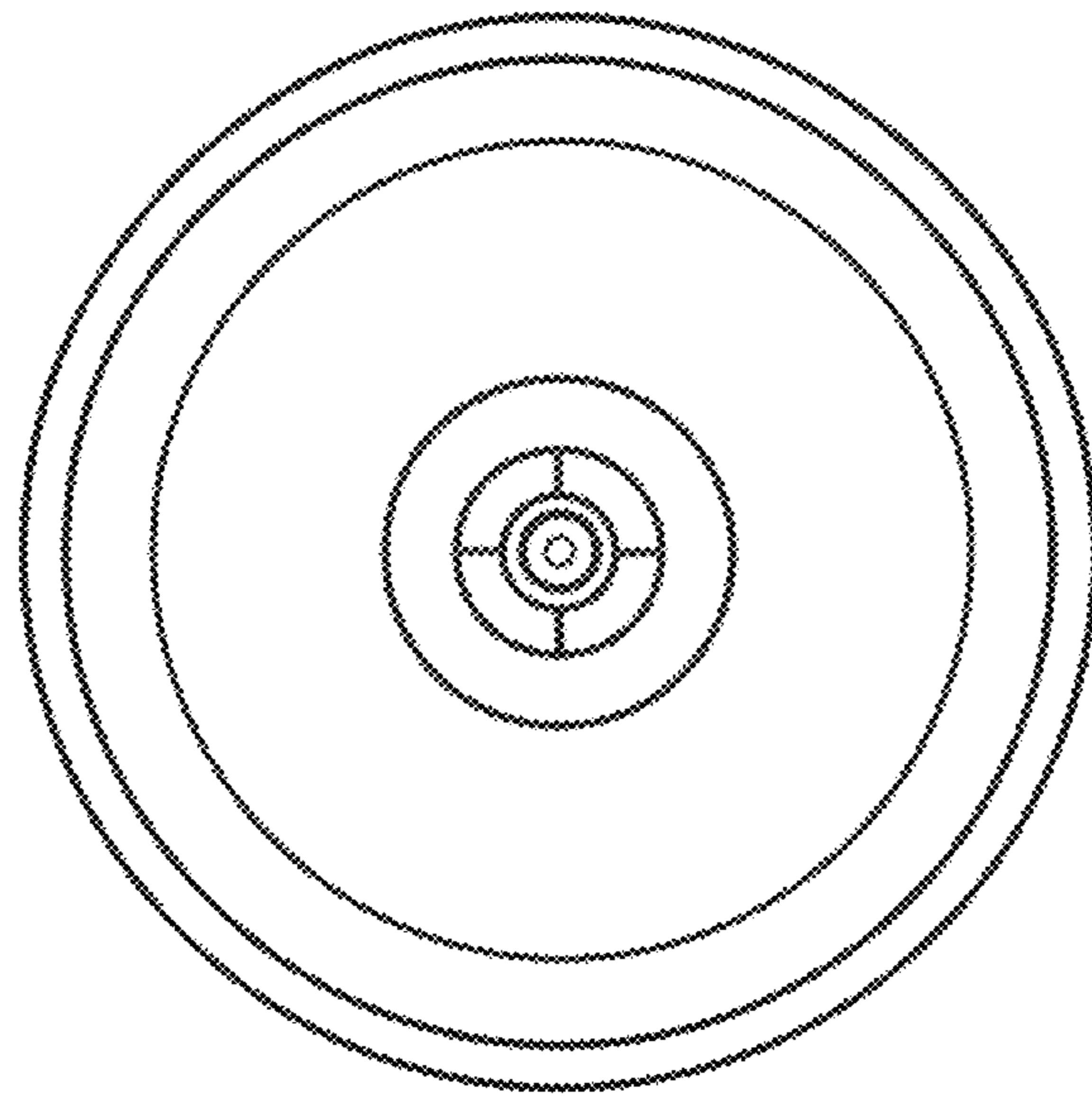


FIG. 14