



US00D946923S

(12) **United States Design Patent**
Larkins

(10) **Patent No.:** **US D946,923 S**
(45) **Date of Patent:** **** *Mar. 29, 2022**

- (54) **HANGER**
- (71) Applicant: **DriFlower, LLC**, Ashland, OR (US)
- (72) Inventor: **Todd Chandler Larkins**, Ashland, OR (US)
- (73) Assignee: **DriFlower, LLC**, Ashland, OR (US)
- (*) Notice: This patent is subject to a terminal disclaimer.
- (**) Term: **15 Years**
- (21) Appl. No.: **29/709,487**
- (22) Filed: **Oct. 15, 2019**
- (51) **LOC (13) Cl.** **06-06**
- (52) **U.S. Cl.**
USPC **D6/513; D6/319**
- (58) **Field of Classification Search**
USPC D6/315-328, 513, 514, 553, 567, 569, D6/570, 571
CPC A47G 25/28; A47G 25/743; A47G 25/26; A47G 25/4023; A47G 25/20; A47G 25/442; A47G 25/30; A47G 25/36; A47G 25/24; A47G 25/14; A47G 25/18; A47G 25/40; A47G 25/403; A47G 25/52; A47G 25/34; A47G 25/44; A47G 25/4053; A47G 25/08; A47G 25/32
See application file for complete search history.

- D264,912 S * 6/1982 Bliss D6/326
 - 4,724,967 A 2/1988 Valiulis
 - 4,881,342 A 11/1989 Ferguson
 - D305,587 S * 1/1990 Possemato D6/513
 - 5,161,720 A * 11/1992 Kolton A47G 25/743
223/85
 - 5,329,728 A 7/1994 Ray
 - 5,333,409 A 8/1994 Mendes
 - 6,298,600 B1 10/2001 Feldman
 - 6,389,744 B1 5/2002 Pugh
 - 6,811,064 B2 * 11/2004 Salem A47G 25/442
223/94
 - 7,377,409 B1 5/2008 Brown
 - D604,516 S * 11/2009 Scott D6/317
 - 7,774,977 B2 8/2010 Miller Shelton
 - 7,984,585 B1 7/2011 Wu
 - D654,704 S * 2/2012 Hanson D6/317
- (Continued)

FOREIGN PATENT DOCUMENTS

- CA 2458956 A1 9/2004
 - CN 105474854 A 4/2016
- (Continued)

Primary Examiner — Lauren R Calve
(74) *Attorney, Agent, or Firm* — Carter, DeLuca & Farrell LLP; George Likourezos

(57) **CLAIM**

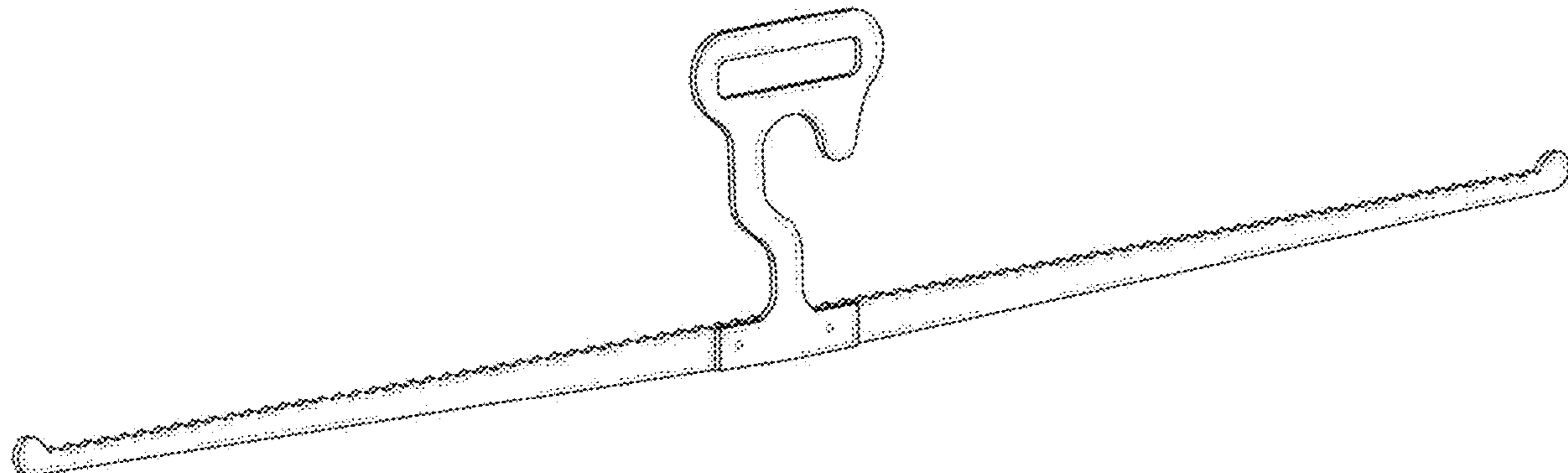
The ornamental design for a hanger, as shown and described.

DESCRIPTION

FIG. 1 is a front perspective view of a hanger, showing the new design;
FIG. 2 is a right side view thereof;
FIG. 3 is a left side view thereof;
FIG. 4 is a front view thereof;
FIG. 5 is a rear view thereof;
FIG. 6 is a bottom view thereof; and,
FIG. 7 is a top view thereof.

1 Claim, 2 Drawing Sheets

- (56) **References Cited**
U.S. PATENT DOCUMENTS
- 941,448 A 11/1909 Haglund
- 1,515,078 A 11/1924 Shee
- 2,289,729 A 7/1942 Robinson et al.
- 2,440,636 A * 4/1948 Lowe A47G 25/4023
223/94
- 2,484,449 A 10/1949 Fetterman



(56)

References Cited

U.S. PATENT DOCUMENTS

8,523,026 B2 * 9/2013 Tseng A47G 25/4023
223/94
D772,584 S * 11/2016 Debus D6/315
9,609,970 B2 * 4/2017 Piraino A47G 25/48
D897,698 S * 10/2020 Aigbe D6/318
2005/0035076 A1 * 2/2005 Schober A47G 25/0692
211/123
2007/0266627 A1 11/2007 Shelton
2017/0105362 A1 4/2017 Irving, Jr.

FOREIGN PATENT DOCUMENTS

CN 206611910 U 11/2017
CN 107896731 A 4/2018
DE 3246174 C2 1/1994
JP 2008092939 A 4/2008
JP 4218802 B2 2/2009
JP 4399093 B2 1/2010
JP 2011010890 A 1/2011
KR 20-2005-0002675 A 1/2005
KR 200382132 Y1 4/2005
KR 101071670 B1 10/2011
KR 20170079314 A 7/2017
KR 101938225 B1 1/2019

* cited by examiner

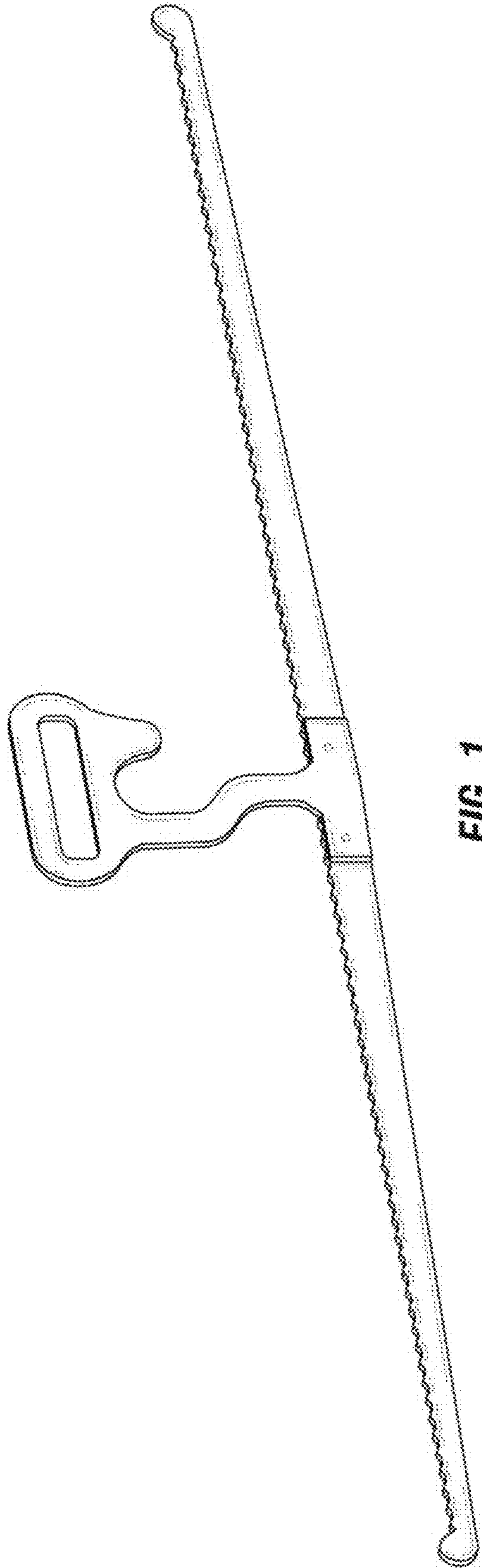


FIG. 1

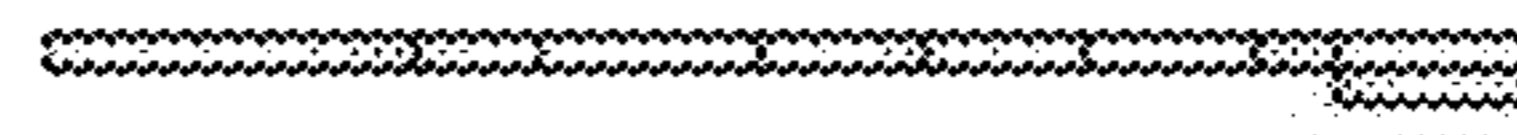


FIG. 2

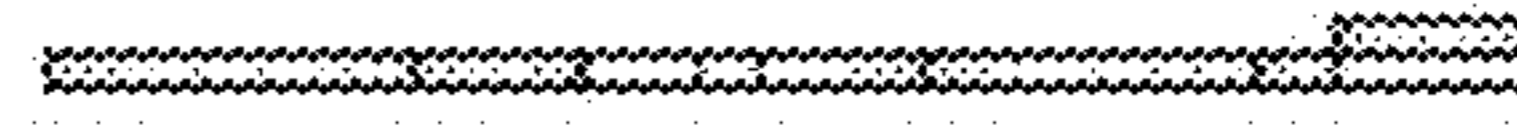


FIG. 3

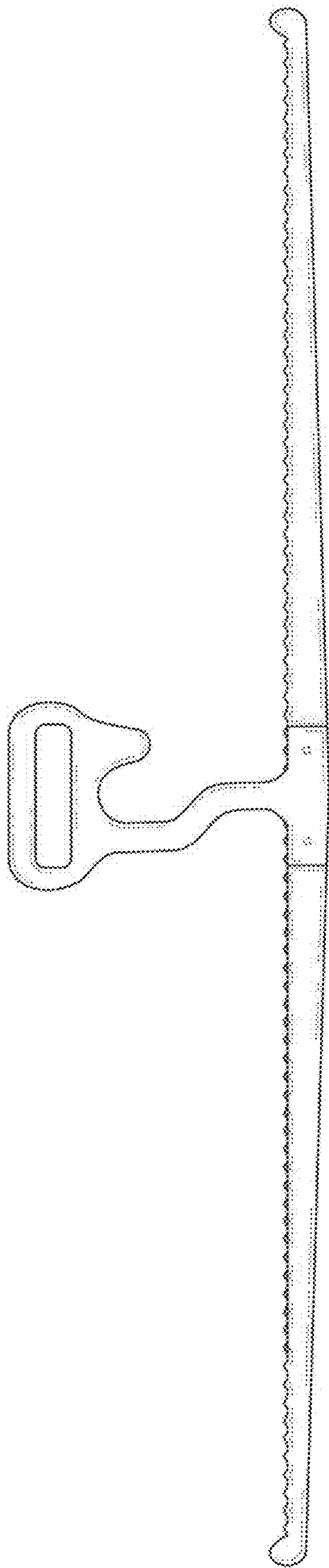


FIG. 4

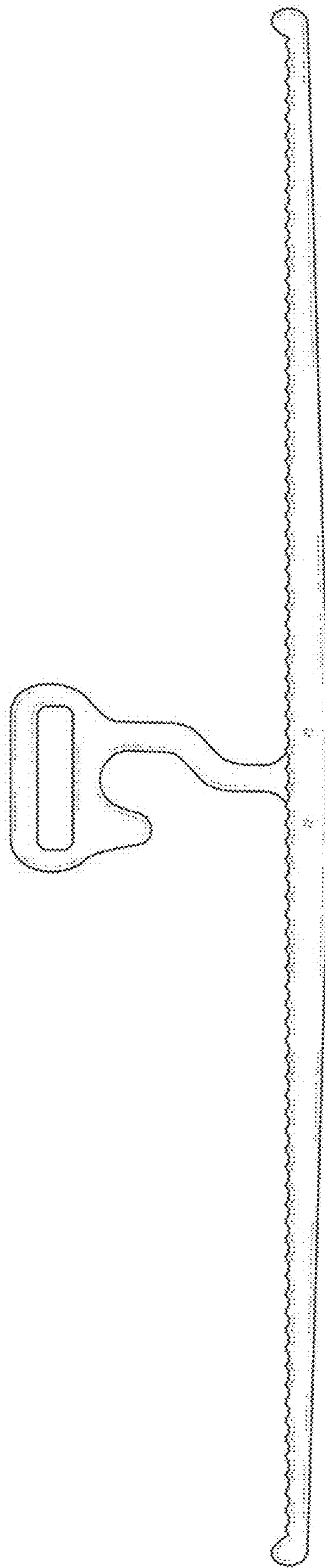


FIG. 5



FIG. 6



FIG. 7