



US00D946921S

(12) **United States Design Patent**
Lithgow et al.

(10) **Patent No.:** **US D946,921 S**
(45) **Date of Patent:** **** Mar. 29, 2022**

(54) **CHAIR**

(71) Applicant: **Dmitriy & Company LLC**, New York, NY (US)

(72) Inventors: **Alexander Lithgow**, New York, NY (US); **Joshua Edward Dycus**, New York, NY (US); **Donata Blekhtser**, New York, NY (US); **Dmitriy Feldman**, New York, NY (US)

(73) Assignee: **DMITRIY & COMPANY LLC**, New York, NY (US)

(**) Term: **15 Years**

(21) Appl. No.: **29/763,345**

(22) Filed: **Dec. 22, 2020**

(51) **LOC (13) Cl.** **06-01**

(52) **U.S. Cl.**
USPC **D6/379**

(58) **Field of Classification Search**
USPC D6/369, 370, 379, 375, 372, 716.4, 371, D6/374

CPC A47C 1/124; A47C 3/025; A47C 3/18; A47C 3/12; A47C 3/34; A47C 4/028; A47C 4/02; A47C 5/12; A47C 5/125; A47C 5/02; A47C 5/06; A47C 5/08; A47C 7/445; A47C 7/443; A47C 7/60; A47C 7/506; A47C 9/007; A47C 13/005; A47C 13/023; A47C 31/003; A47C 31/008; A47C 31/113; A47C 31/02; A47B 85/04; B60R 2/0284; B60R 2/062; B60R 22/001; B60R 22/24; B60R 22/28; B60R 22/58; B60R 22/64; B60R 22/68; B60R 22/80; B60R 22/99; B60R 22/245; B60R 22/643; B60R 22/646;

(Continued)

(56) **References Cited**

U.S. PATENT DOCUMENTS

3,328,084 A * 6/1967 Whitener A47C 7/002 297/411.41
D225,925 S * 1/1973 Duern D6/374

(Continued)

OTHER PUBLICATIONS

“Christopher Knight Home 312395 Alfie Outdoor Club Chair with Cushions (Set of 2), Teak Finish, Beige” May 15, 2020, amazon.com, site visited Jan. 27, 2022 <https://www.amazon.com/Christopher-Knight-Home-312395-Cushions/dp/B0856XZ3F2/ref=cm_cr_arpd_product_top?ie=UTF8> (Year: 2020).*

Primary Examiner — Kevin K Rudzinski

Assistant Examiner — Paul D Bohannon

(74) *Attorney, Agent, or Firm* — Lewis Roca Rothgerber Christie LLP

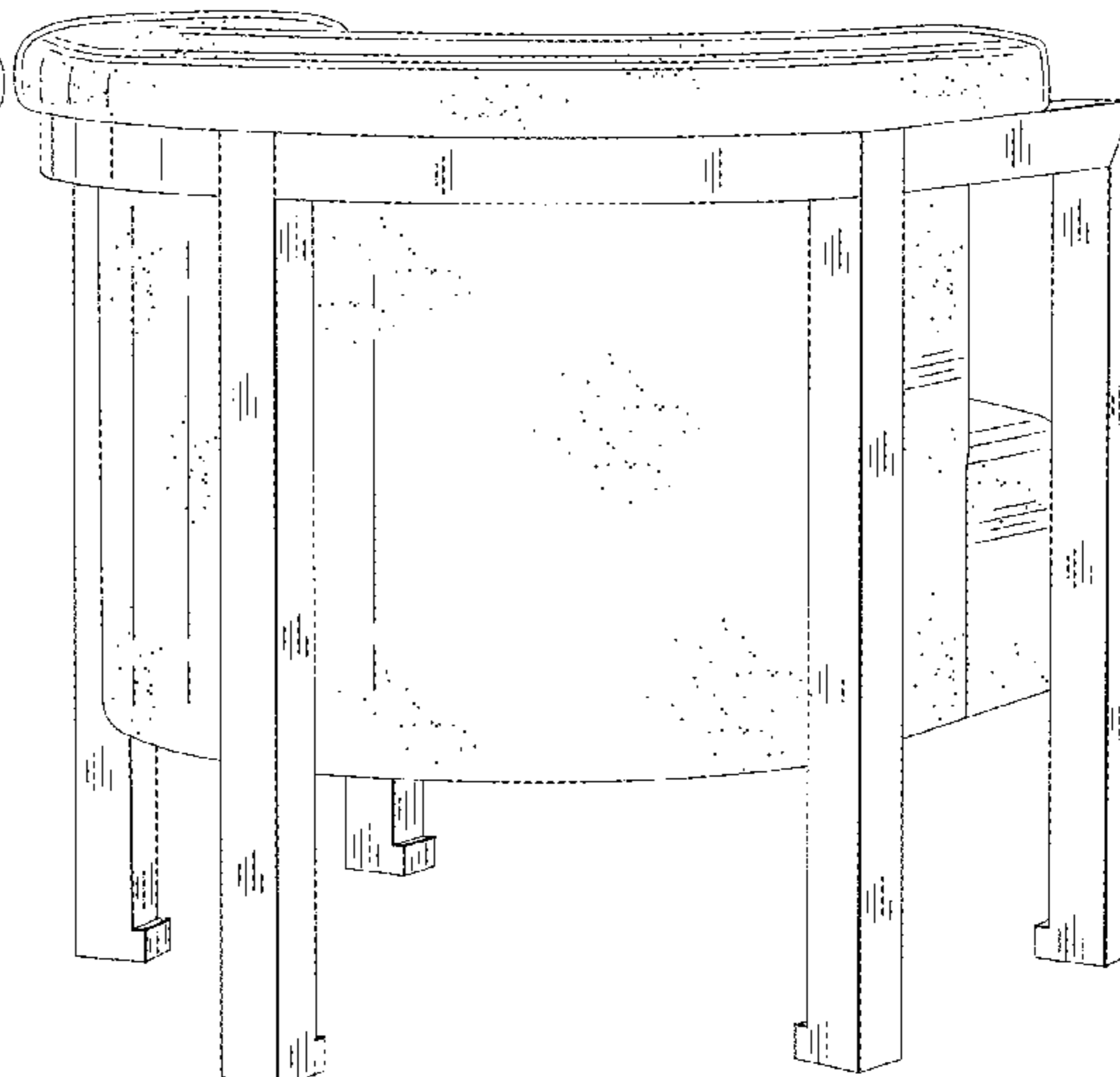
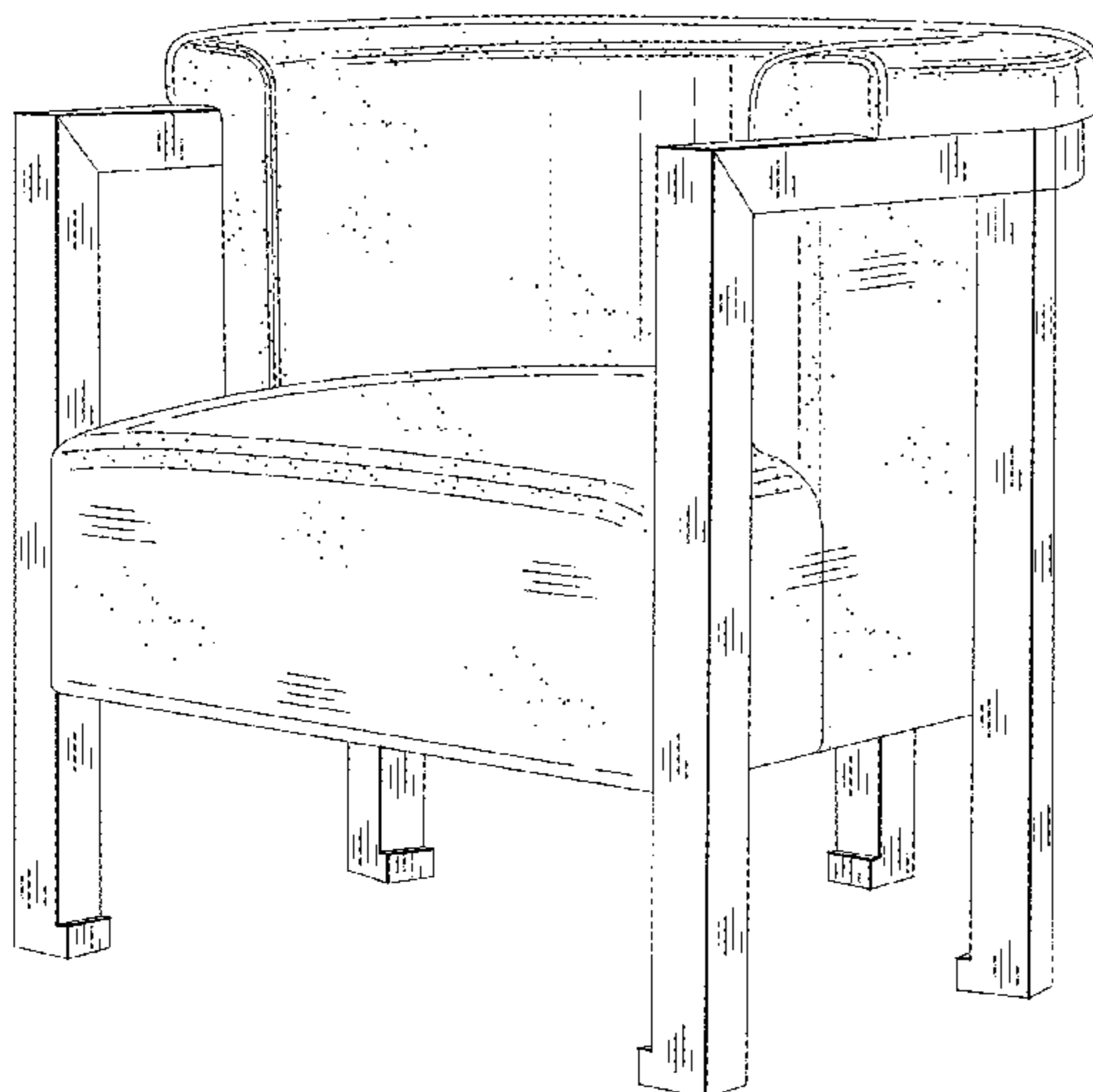
(57) **CLAIM**

The ornamental design for a chair, as shown and described.

DESCRIPTION

FIG. 1 is a front right perspective view of a first embodiment of a chair showing our new design; FIG. 2 is a rear left perspective view thereof; FIG. 3 is a top plan view thereof; FIG. 4 is a front elevation view thereof; FIG. 5 is a rear elevation view thereof; FIG. 6 is a right side elevation view thereof, the left side view being a mirror image; FIG. 7 is a front right perspective view of a second embodiment of a chair showing our new design; FIG. 8 is a rear left perspective view thereof; FIG. 9 is a top plan view thereof; FIG. 10 is a front elevation view thereof; FIG. 11 is a rear elevation view thereof; and, FIG. 12 is a right side elevation view thereof, the left side view being a mirror image. FIGS. 7-11 include break lines and those portions of the article between the break lines form no part of the claimed design.

1 Claim, 12 Drawing Sheets



(58) **Field of Classification Search**

CPC .. B60R 22/665; B60R 22/686; B60R 22/688;
B60R 22/803; B60R 22/986; B60R
22/914; B60R 22/995

See application file for complete search history.

(56) **References Cited**

U.S. PATENT DOCUMENTS

D289,347	S	*	4/1987	Halme	D6/373
D417,104	S	*	11/1999	Chalmers	D6/716.4
D433,835	S	*	11/2000	Hutton	D6/370
D434,576	S	*	12/2000	Manoukian	D6/370
D448,192	S	*	9/2001	Kane	D6/381
D498,939	S	*	11/2004	Kirkpatrick	D6/372
D526,797	S	*	8/2006	Thomkins	D6/369
D679,516	S	*	4/2013	Zannella	D6/375
D690,952	S	*	10/2013	Becker	D6/374
D698,170	S	*	1/2014	Caldwell	D6/370
D731,195	S	*	6/2015	Versace	D6/371
D804,212	S	*	12/2017	Bernardi	D6/370
D817,016	S	*	5/2018	Podmore	D6/372
D904,063	S	*	12/2020	Rubio	D6/370
D904,781	S	*	12/2020	Rubio	D6/370

* cited by examiner

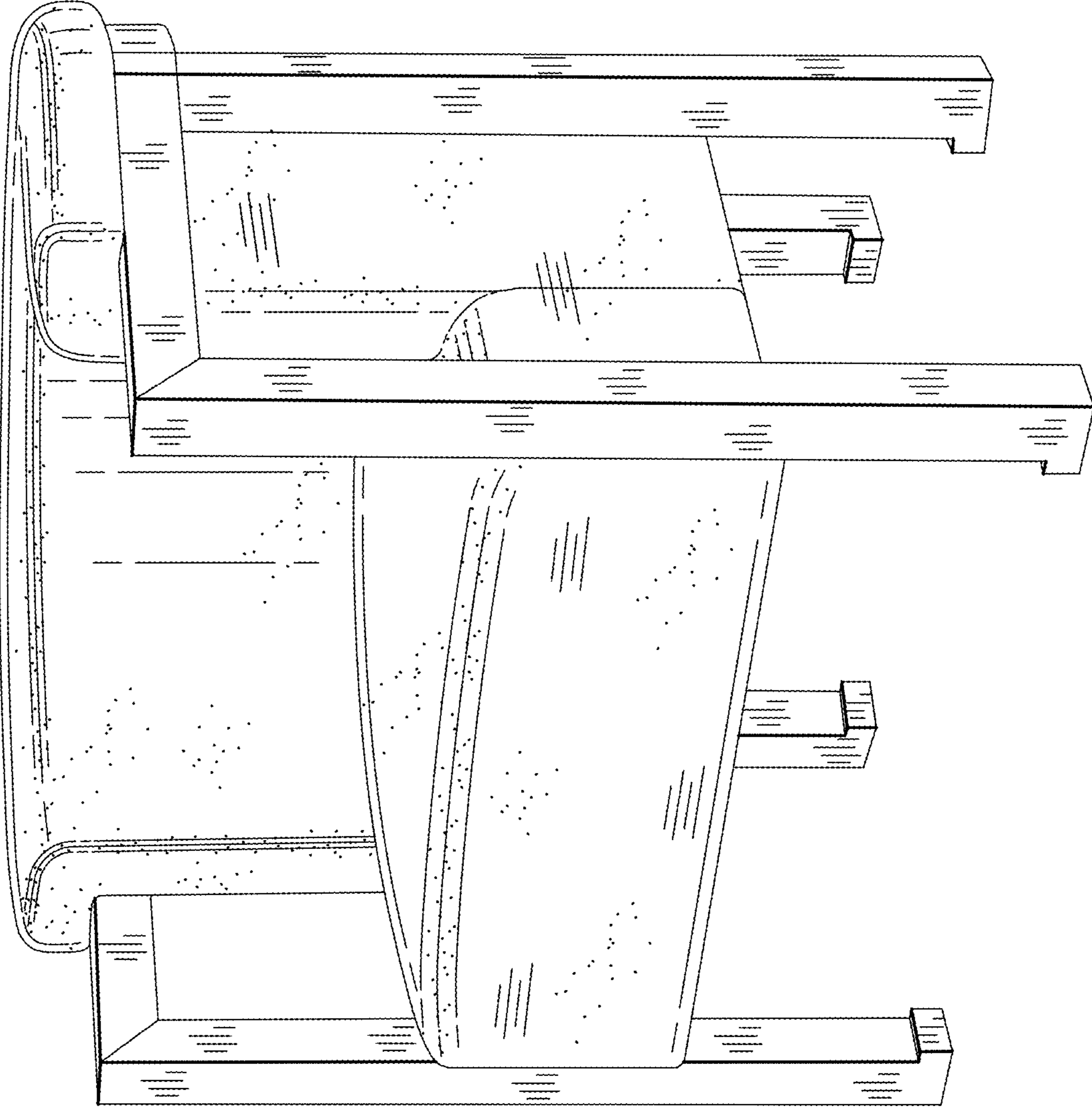


FIG. 1

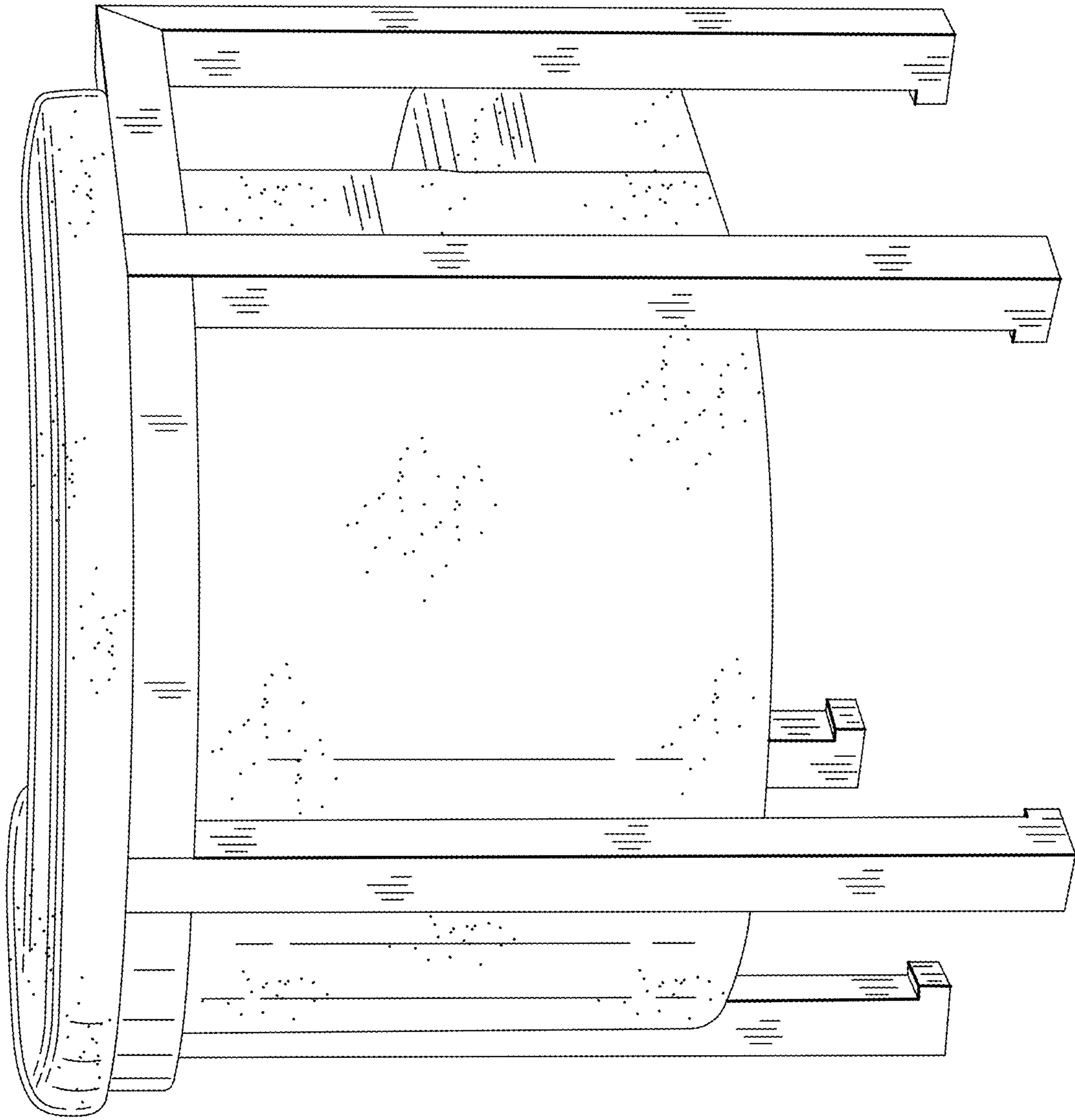


FIG. 2

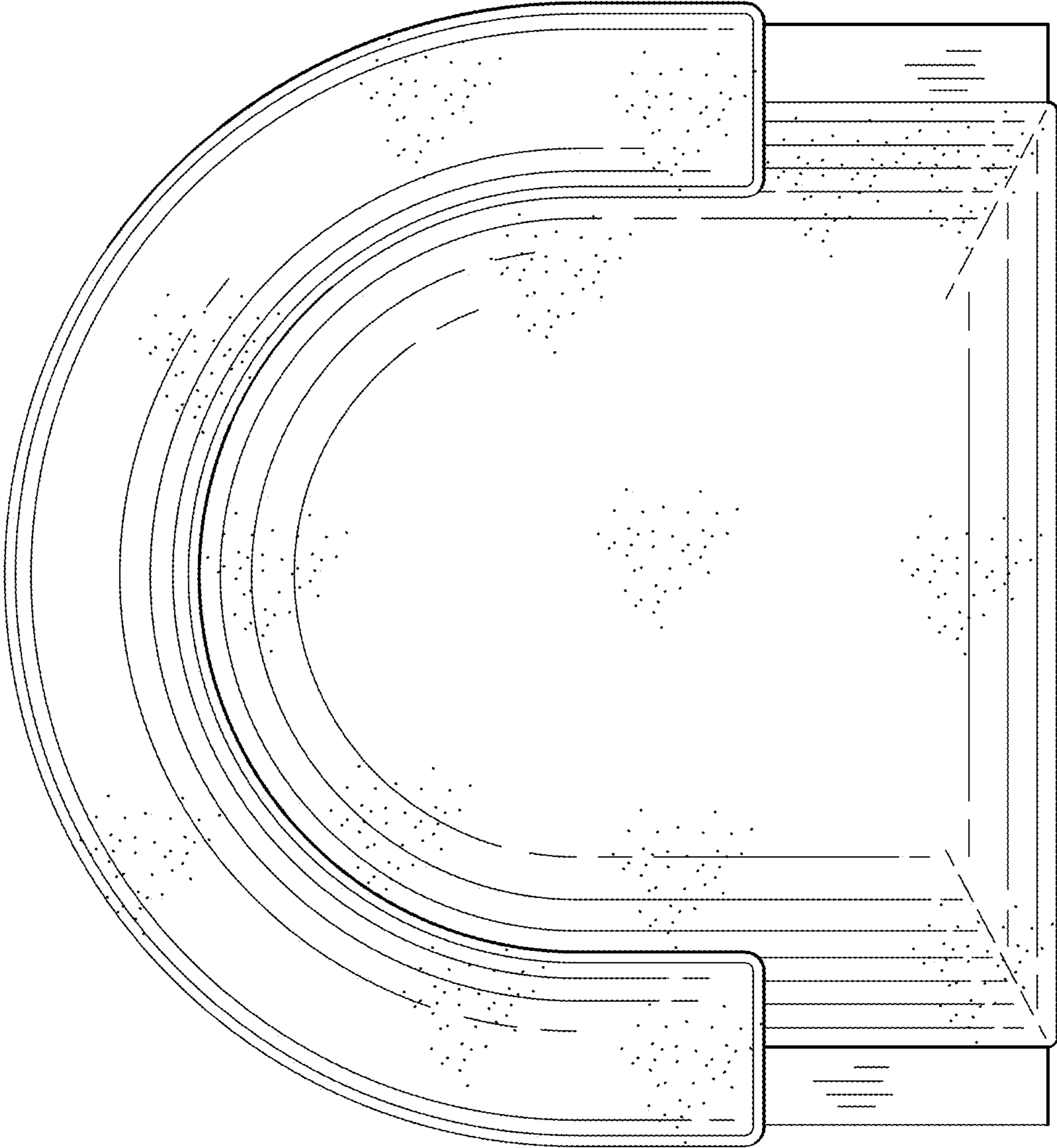


FIG. 3

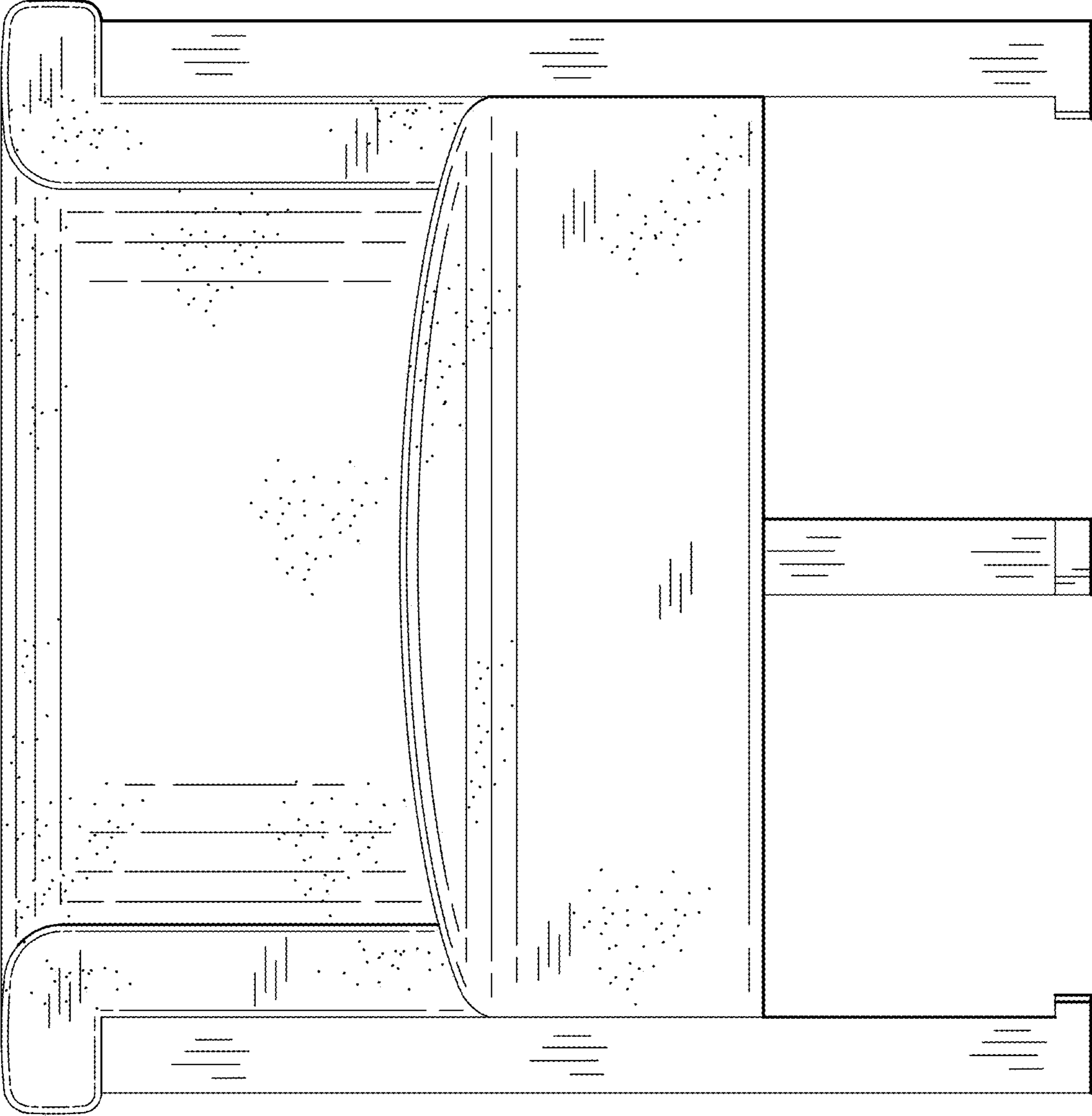


FIG. 4

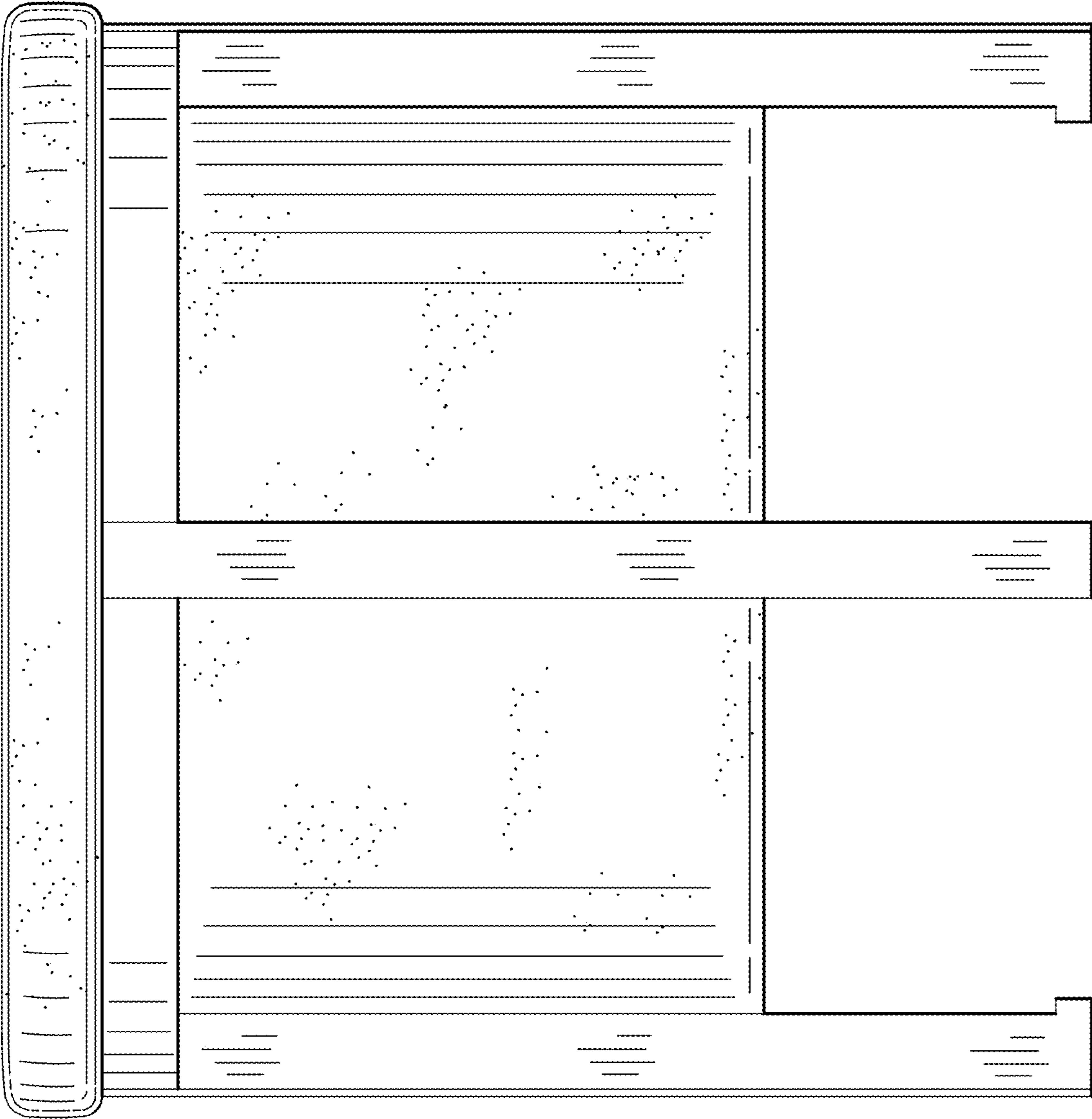


FIG. 5

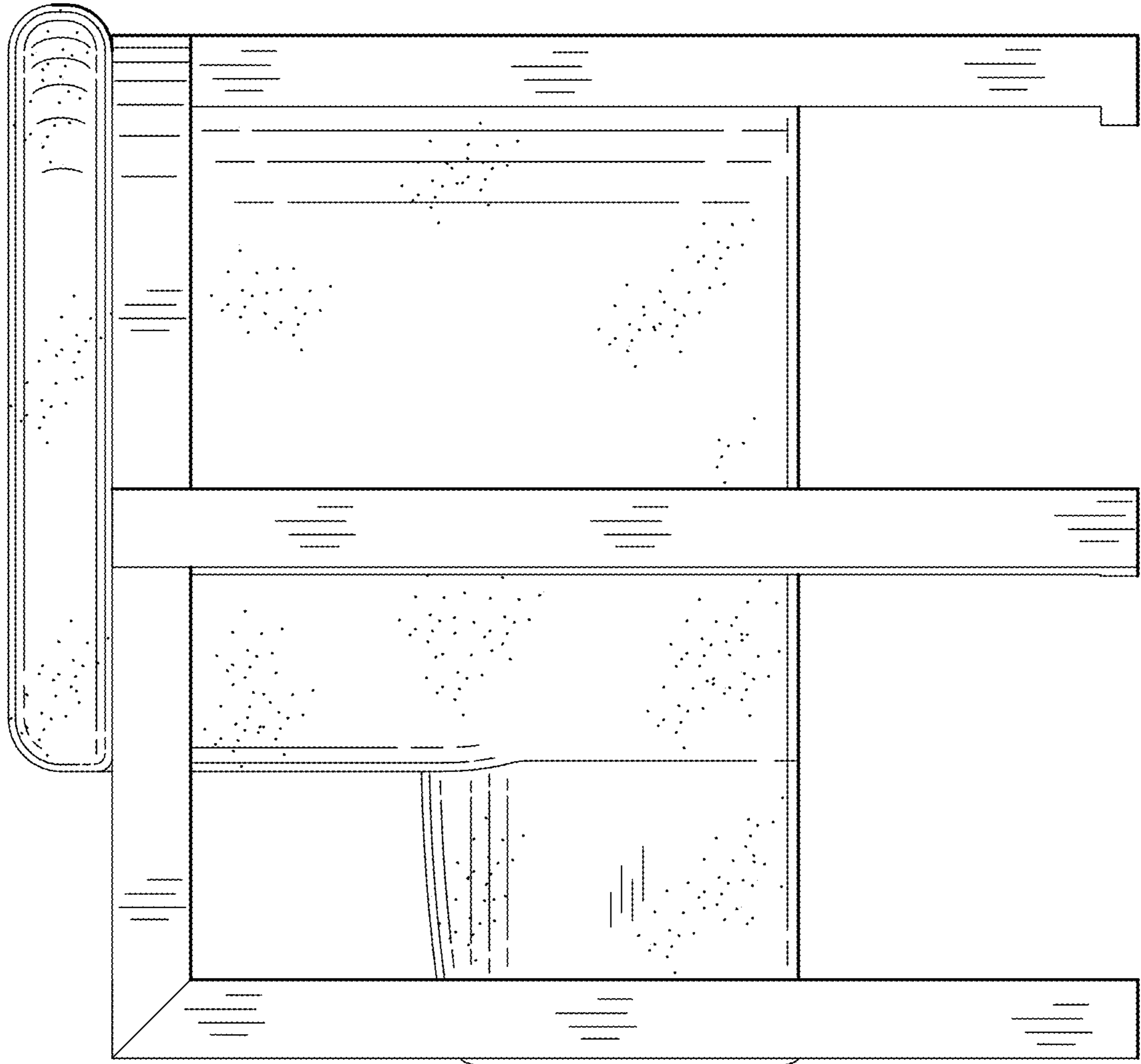


FIG. 6

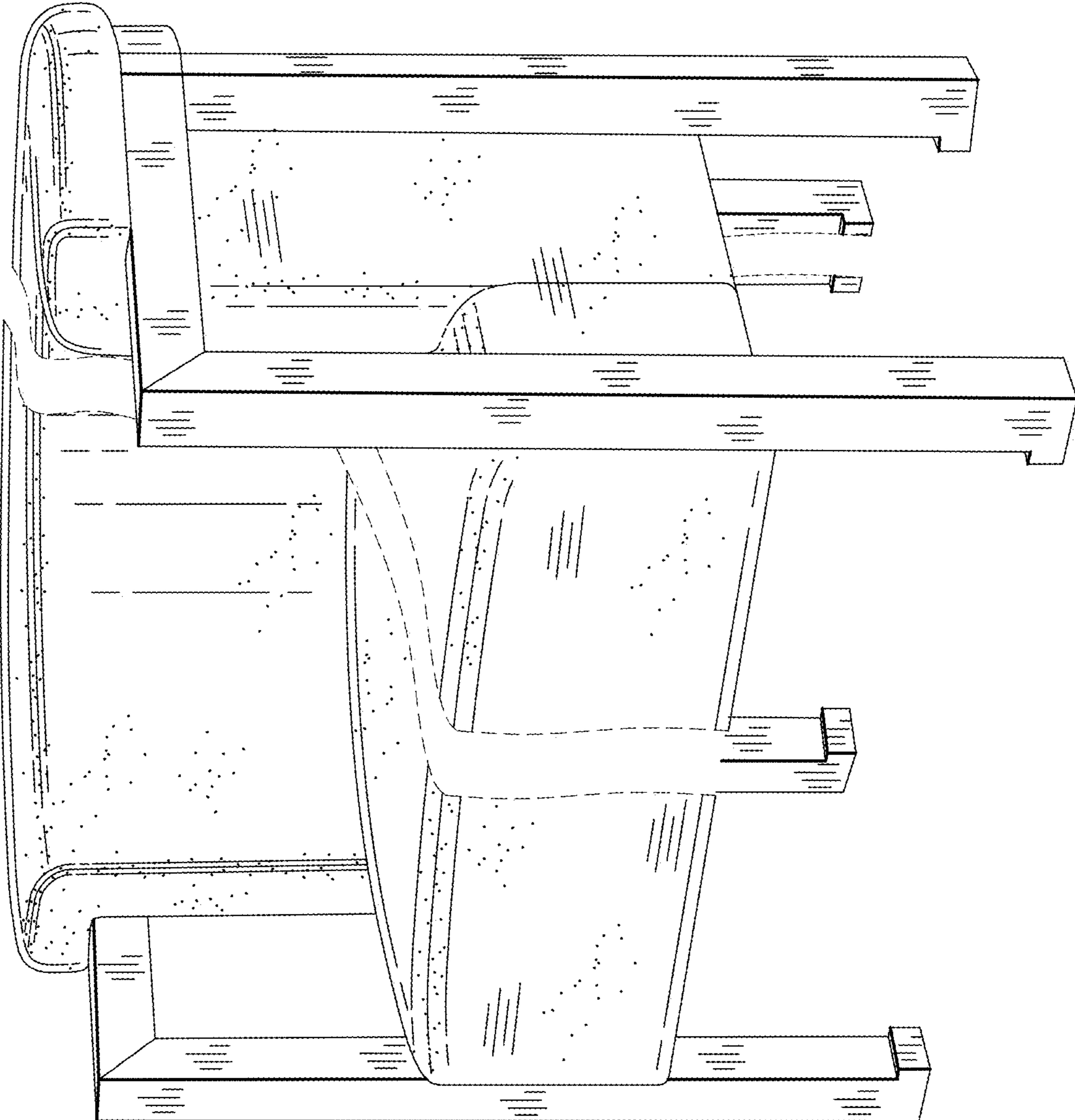


FIG. 7

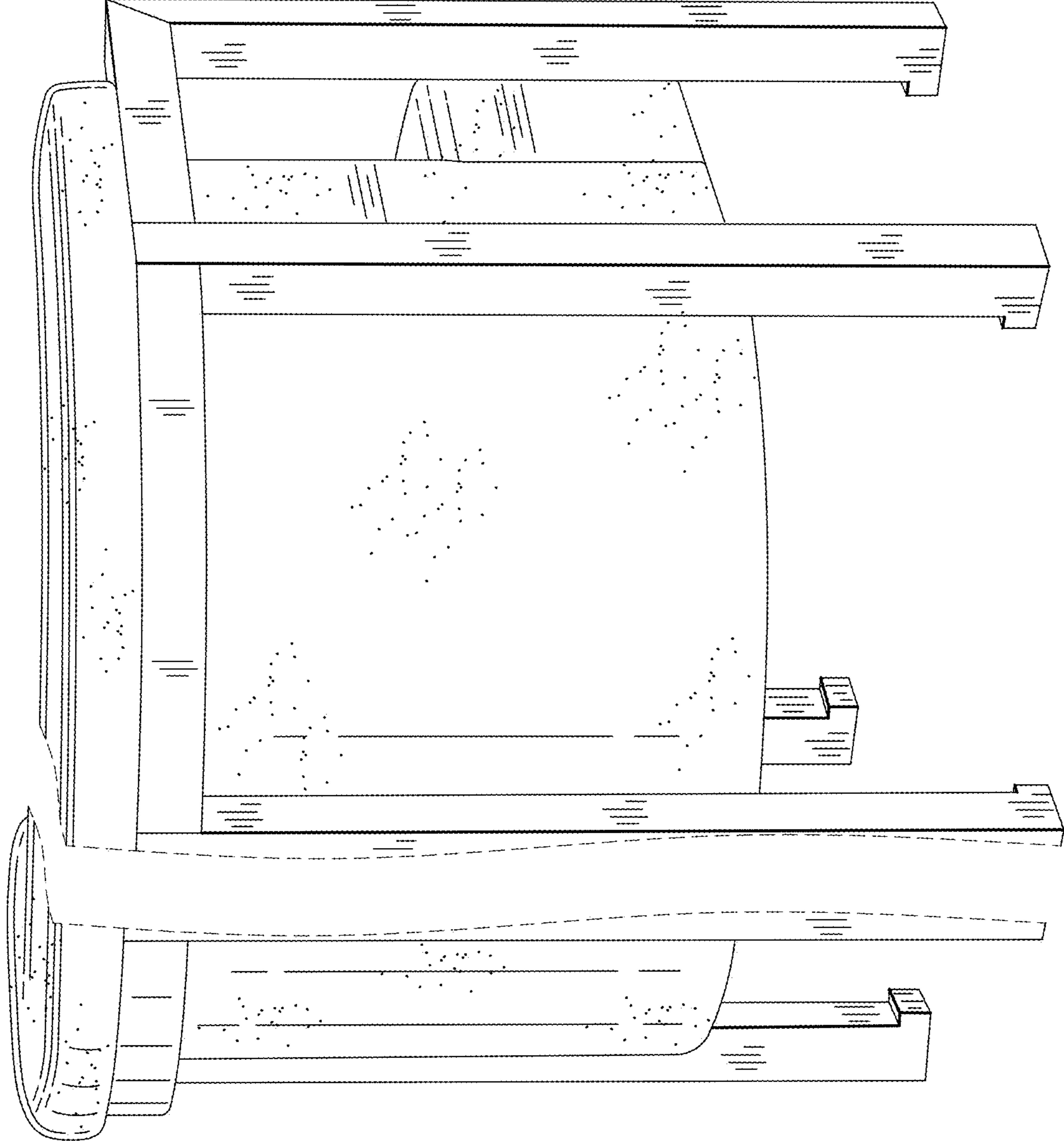


FIG. 8

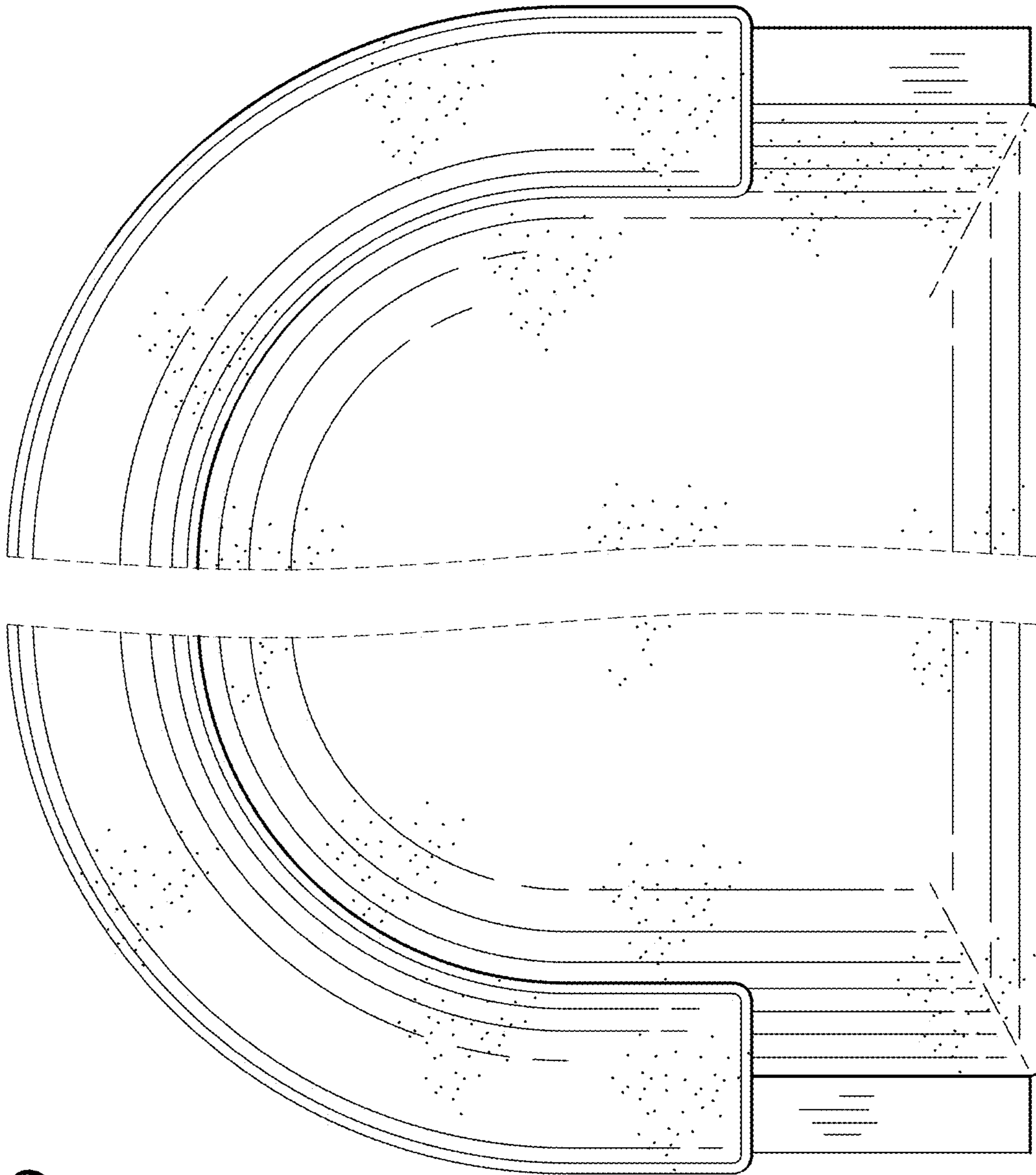


FIG. 9

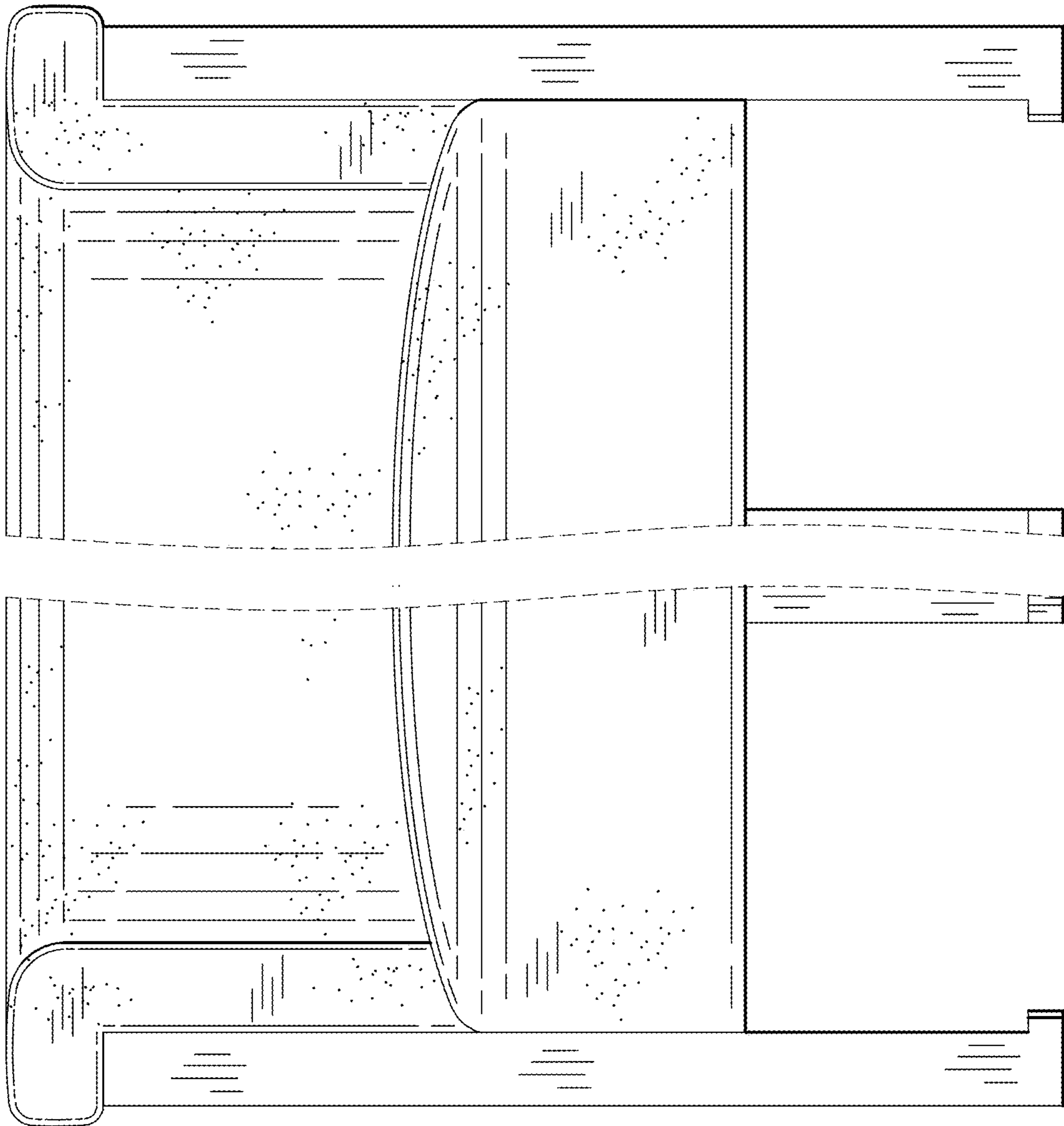


FIG. 10

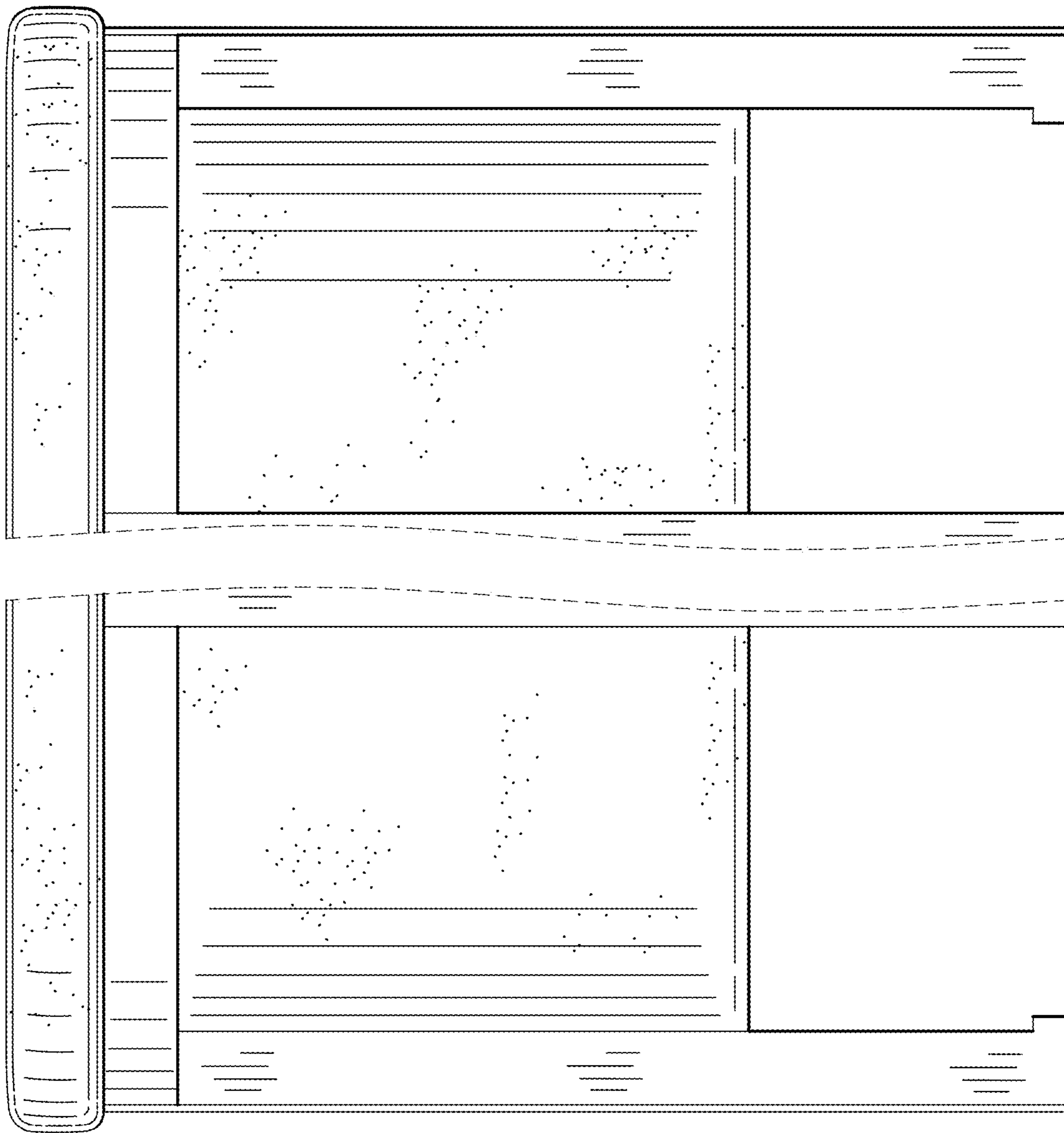


FIG. 11

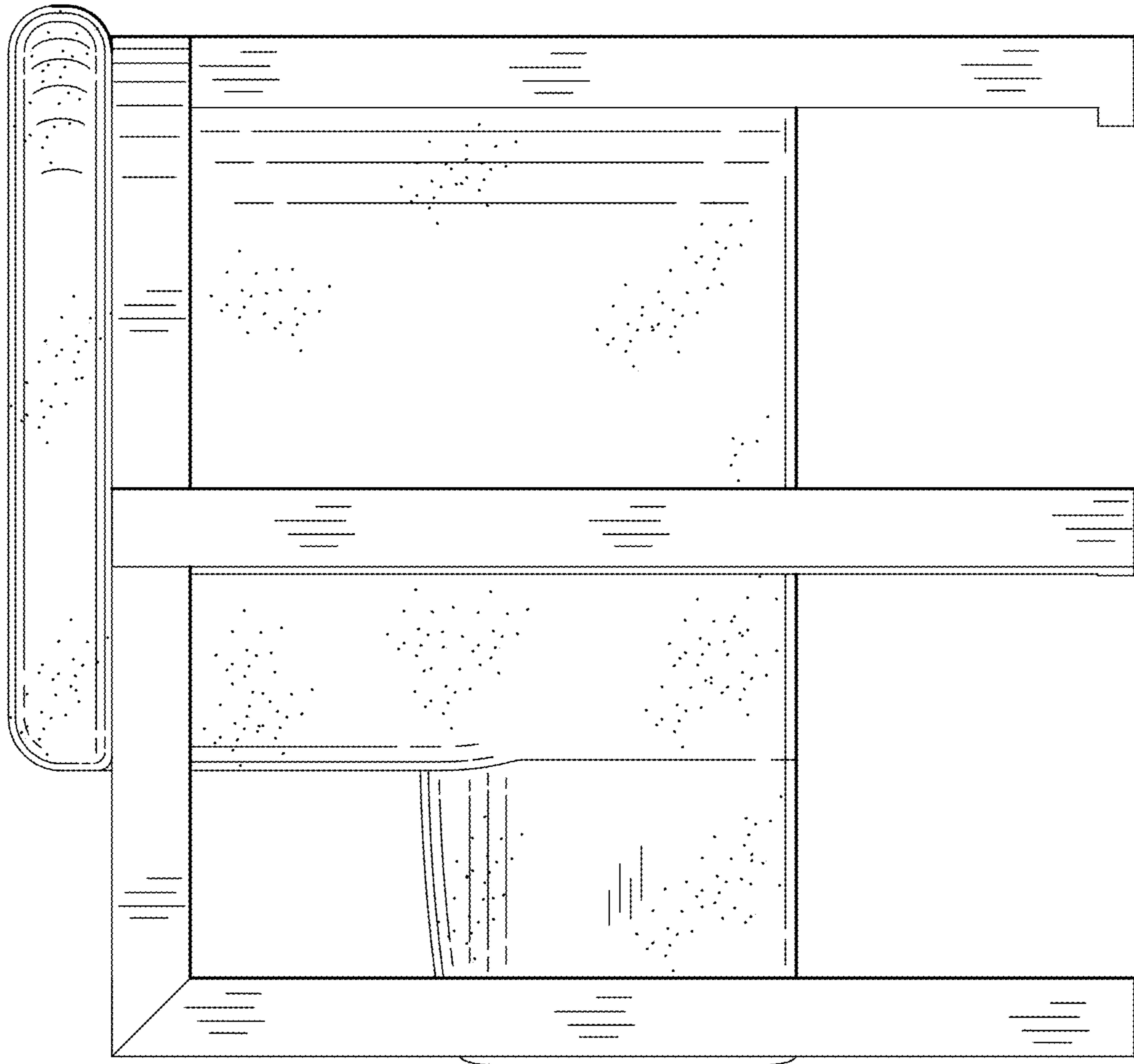


FIG. 12