



US00D946917S

(12) **United States Design Patent**
Esteve Cambra

(10) **Patent No.:** **US D946,917 S**
(45) **Date of Patent:** **** Mar. 29, 2022**

(54) **LOUNGE CHAIR**

(71) Applicant: **RH US, LLC**, Corte Madera, CA (US)

(72) Inventor: **Jose Ramón Esteve Cambra**, Valencia (ES)

(73) Assignee: **RH US, LLC**, Corte Madera, CA (US)

(**) Term: **15 Years**

(21) Appl. No.: **29/766,555**

(22) Filed: **Jan. 15, 2021**

(51) **LOC (13) Cl.** **06-01**

(52) **U.S. Cl.**
USPC **D6/369**

(58) **Field of Classification Search**

USPC D6/369, 370, 379
CPC A47C 1/124; A47C 3/025; A47C 3/18;
A47C 3/12; A47C 3/34; A47C 4/028;
A47C 4/02; A47C 5/12; A47C 5/125;
A47C 5/02; A47C 5/06; A47C 5/08;
A47C 7/445; A47C 7/443; A47C 7/60;
A47C 7/506; A47C 9/007; A47C 13/005;
A47C 13/023; A47C 31/003; A47C
31/008; A47C 31/113; A47C 31/02; A47B
85/04; B60R 2/0284; B60R 2/062; B60R
22/001; B60R 22/24; B60R 22/28; B60R
22/58; B60R 22/64; B60R 22/68; B60R
22/80; B60R 22/99; B60R 22/245; B60R
22/643; B60R 22/646; B60R 22/665;
B60R 22/686; B60R 22/688; B60R
22/803; B60R 22/986; B60R 22/914;
B60R 22/995

See application file for complete search history.

(56) **References Cited**

U.S. PATENT DOCUMENTS

D250,922 S * 1/1979 Adkinson D6/379
D416,699 S * 11/1999 Schwartz D6/369

D429,910 S * 8/2000 Starczewski D6/379
D481,216 S * 10/2003 Chalmers D6/381
D525,796 S * 8/2006 Thomkins D6/369
D640,067 S * 6/2011 Weimer D6/379
D732,302 S * 6/2015 Lange D6/379
D810,457 S * 2/2018 Natuzzi D6/379
D813,582 S * 3/2018 Dassen D6/716.3
D816,365 S * 5/2018 de Oliveira Pires Junior
D6/379
D888,452 S * 6/2020 Koophavonrerker D6/369
D888,456 S * 6/2020 Koophavonrerker D6/379
D927,876 S * 8/2021 Vering D6/369
D927,877 S * 8/2021 Vering D6/369

(Continued)

Primary Examiner — Kevin K Rudzinski

Assistant Examiner — Paul D Bohannon

(74) *Attorney, Agent, or Firm* — Lewis Roca Rothgerber
Christie LLP

(57) **CLAIM**

The ornamental design for a lounge chair, as shown and described.

DESCRIPTION

FIG. 1 is a front right perspective view of a lounge chair showing my new design;

FIG. 2 is a rear left perspective view thereof;

FIG. 3 is a front elevation view thereof;

FIG. 4 is a right side elevation view thereof, the left side view being a mirror image;

FIG. 5 is a rear elevation view thereof;

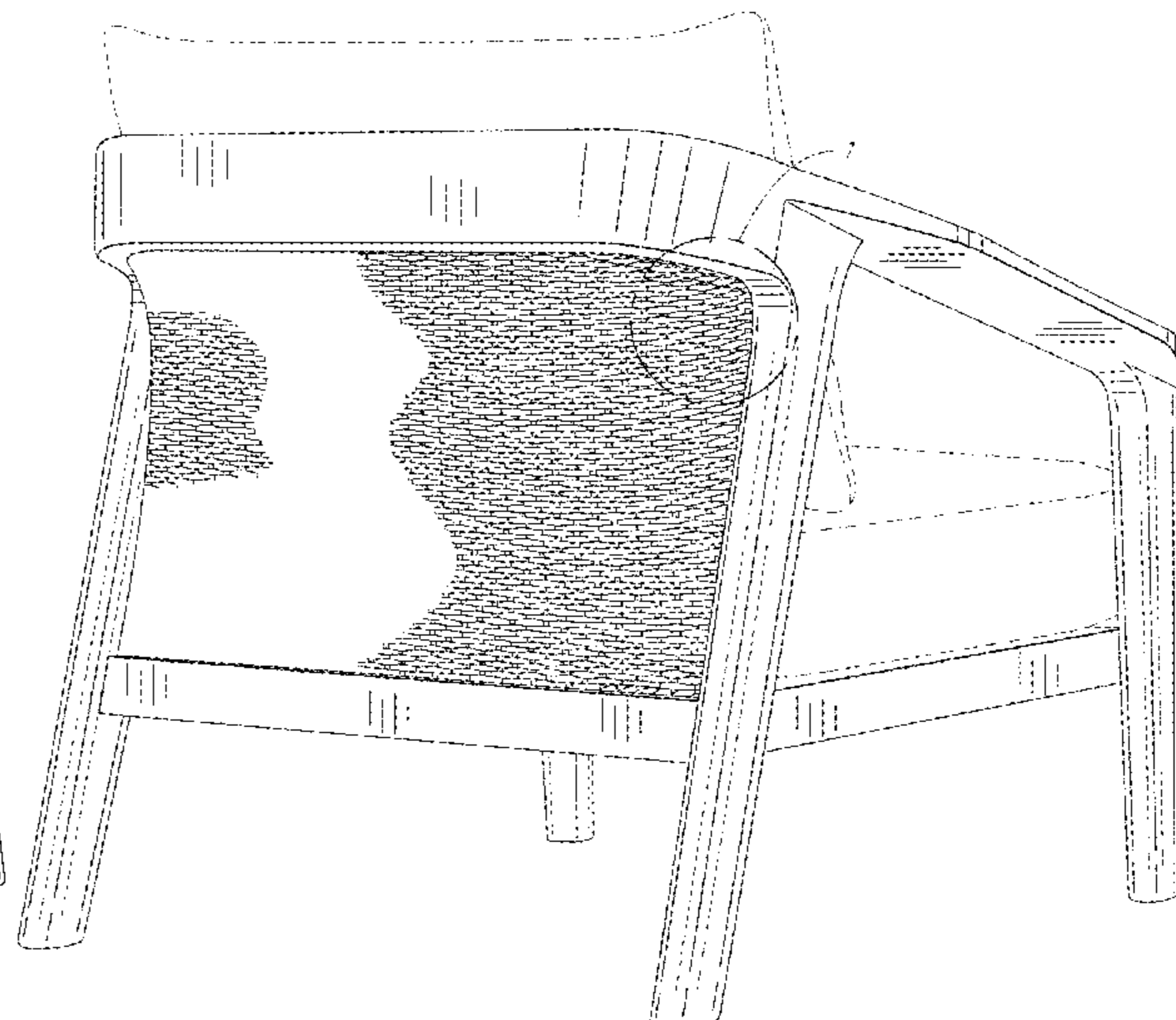
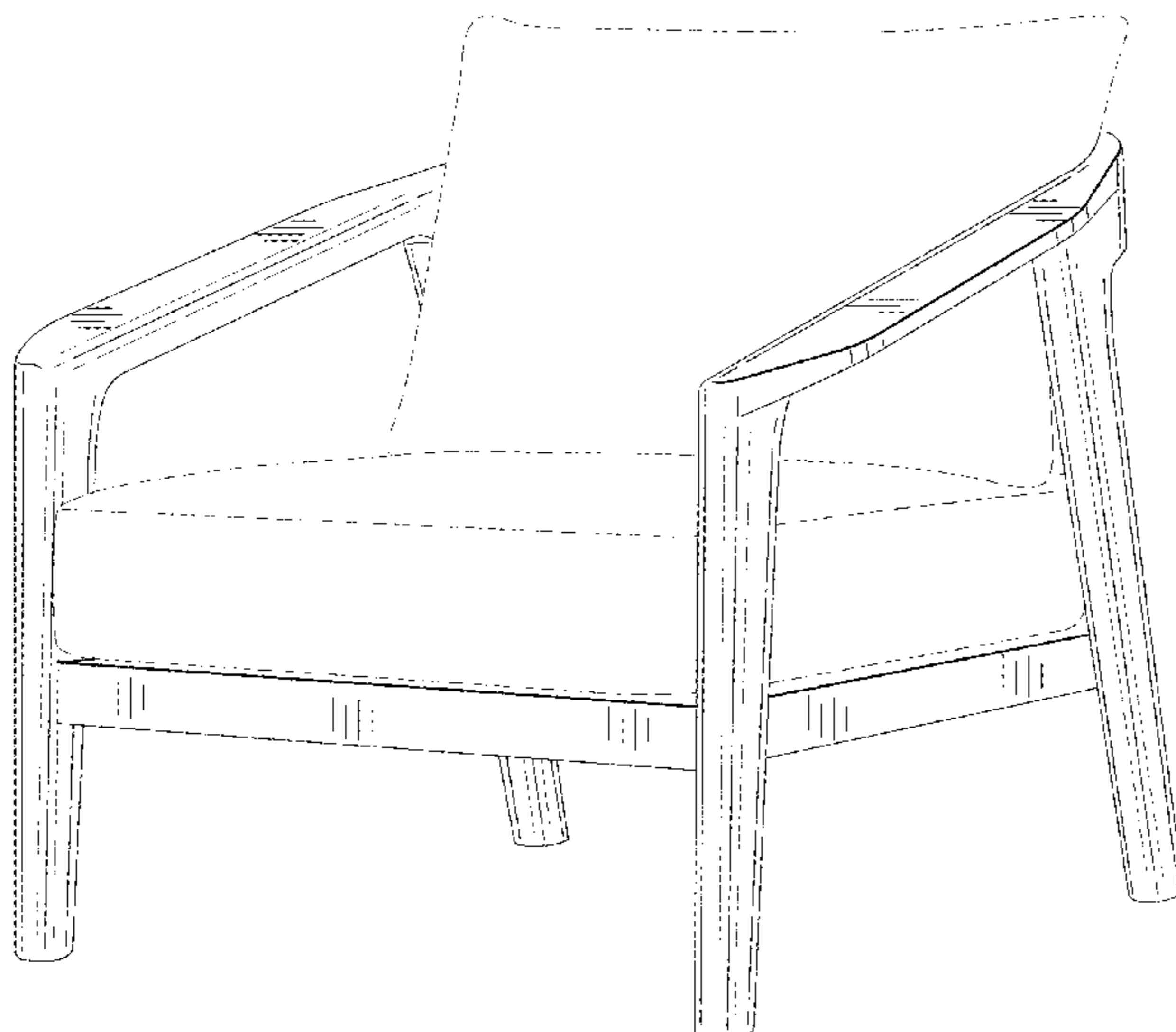
FIG. 6 is a top plan view thereof;

FIG. 7 is an enlarged fragment of a portion of the lounge chair shown in FIG. 2 and labelled 7; and,

FIG. 8 is an enlarged fragment of a portion of the lounge chair shown in FIG. 5 and labelled 8.

The fragmentary showing of a weave pattern in FIGS. 2, 4 and 5, and shown in detail in FIGS. 7 and 8, is understood to be repeated throughout the surfaces shown. The broken lines show environmental subject matter and form no part of the claimed design.

1 Claim, 7 Drawing Sheets



(56)

References Cited

U.S. PATENT DOCUMENTS

D936,987 S * 11/2021 Ziliani D6/369
D939,236 S * 12/2021 Bentzen D6/379

* cited by examiner

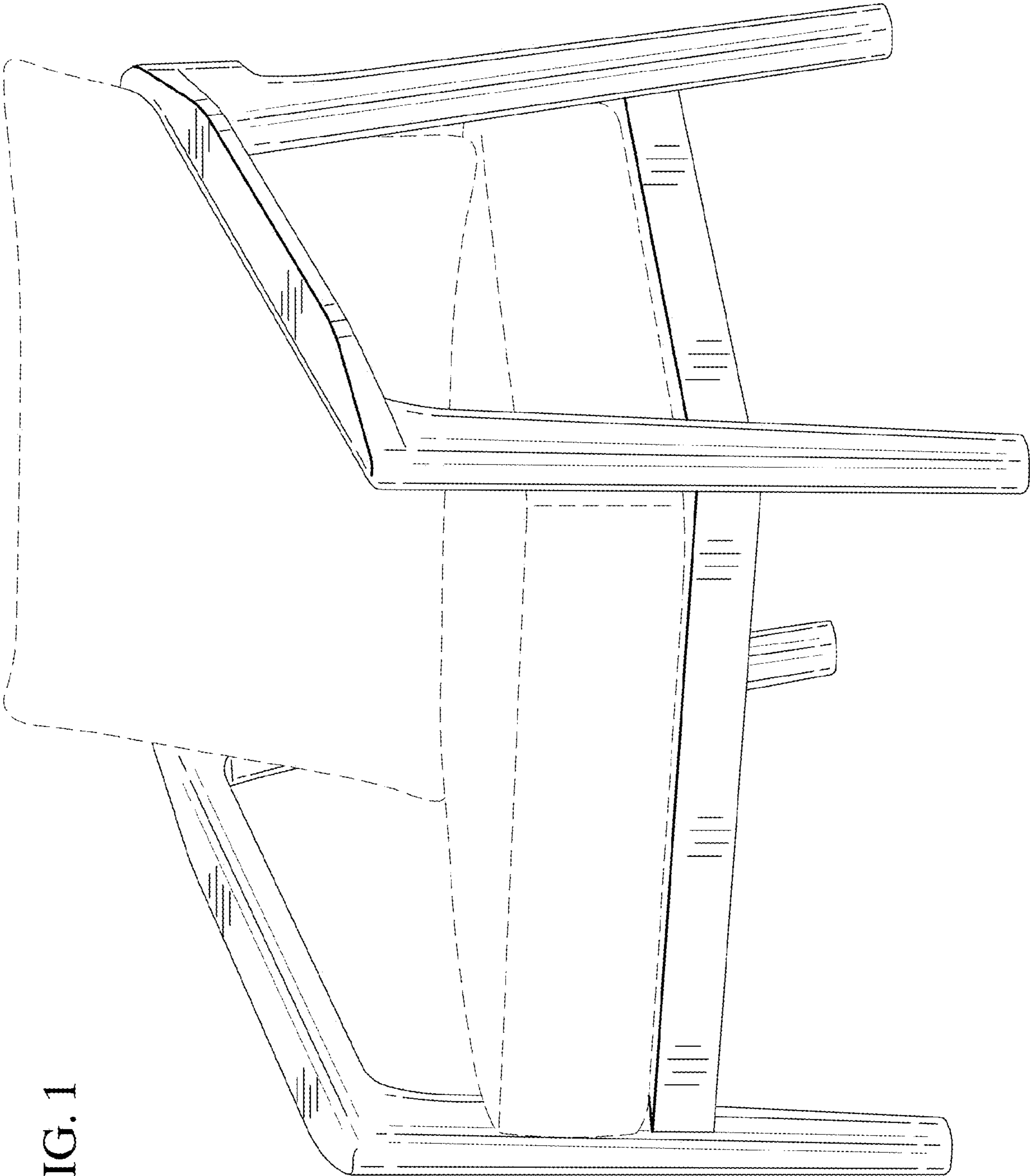


FIG. 1

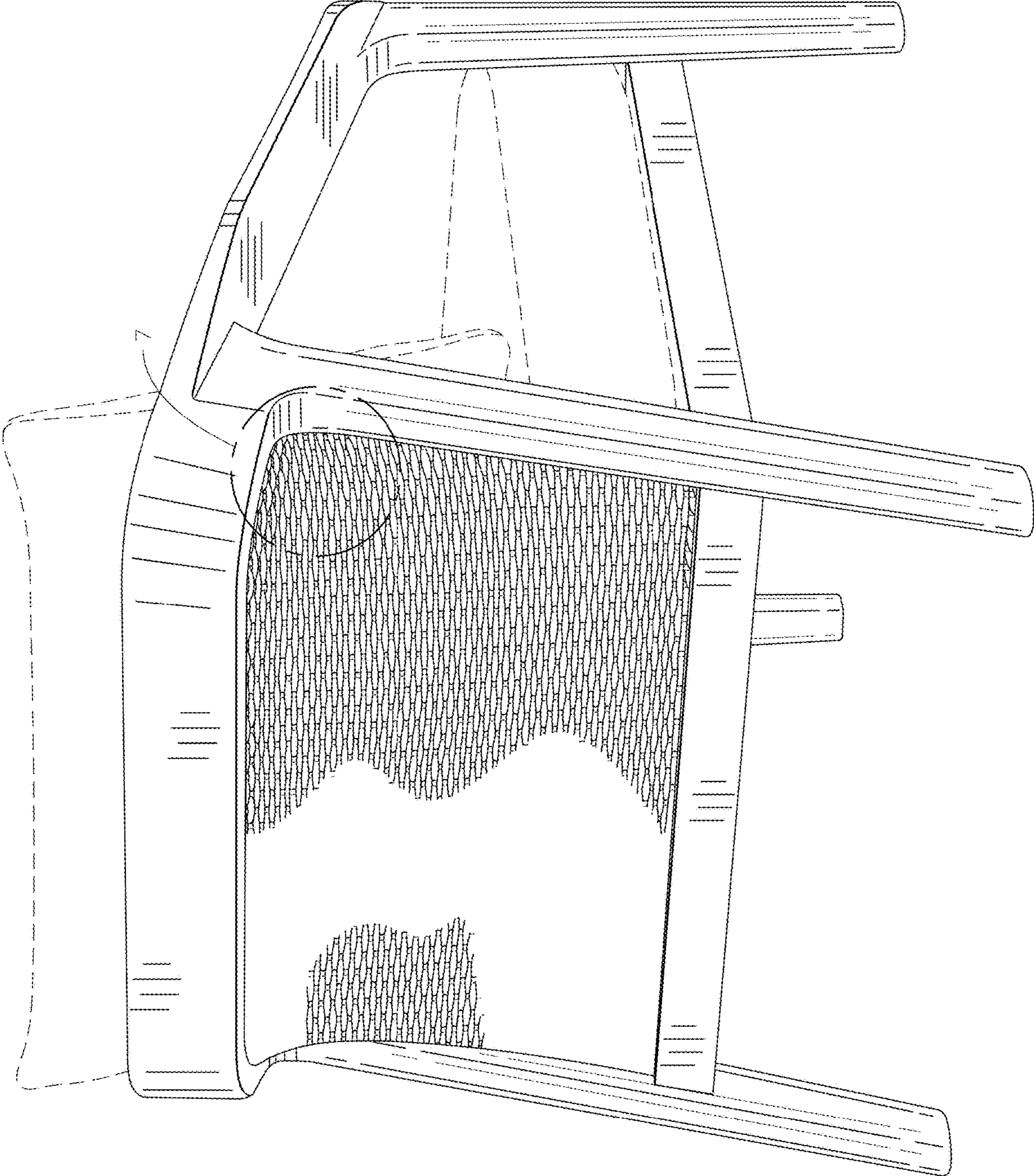


FIG. 3

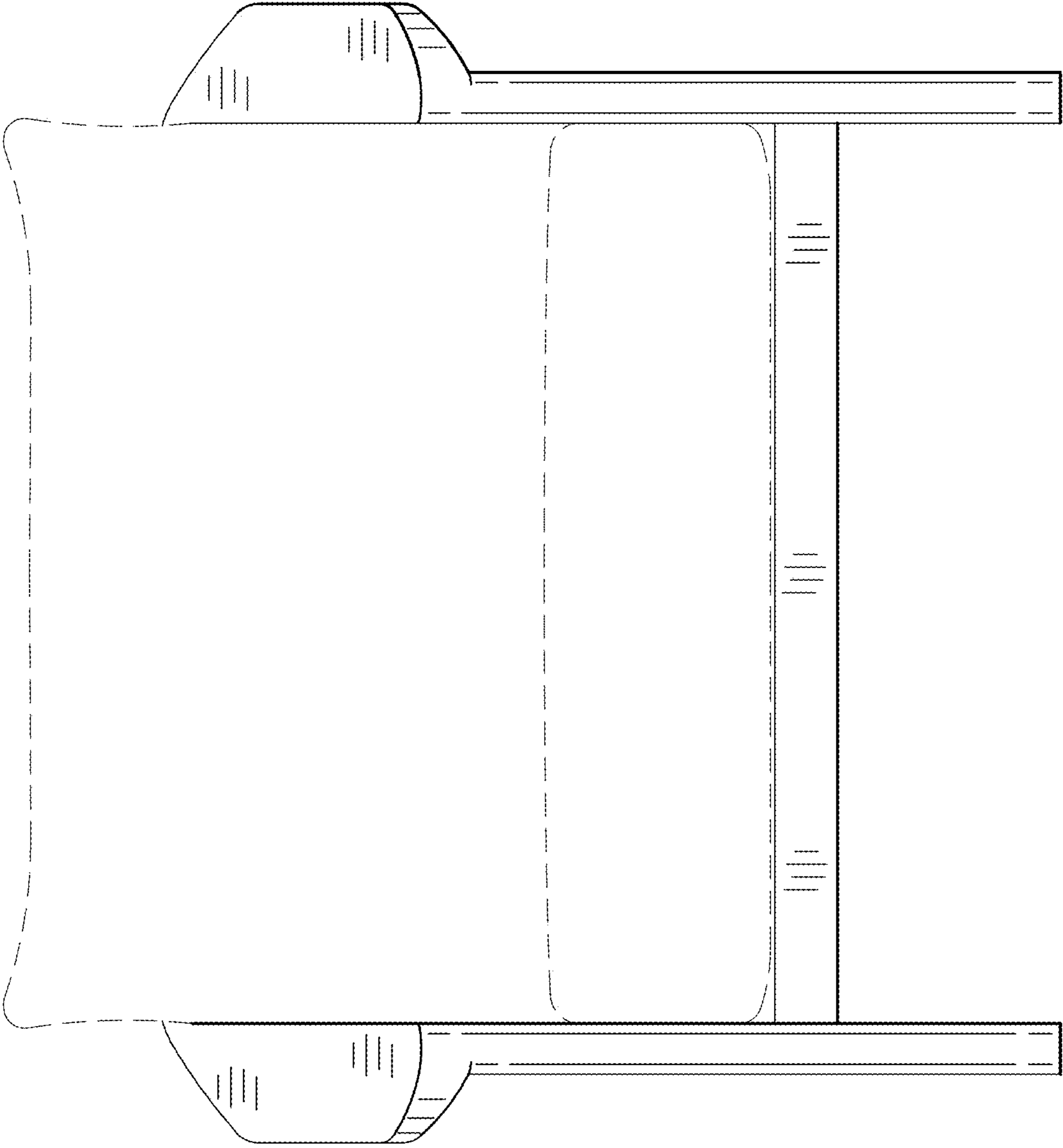


FIG. 4

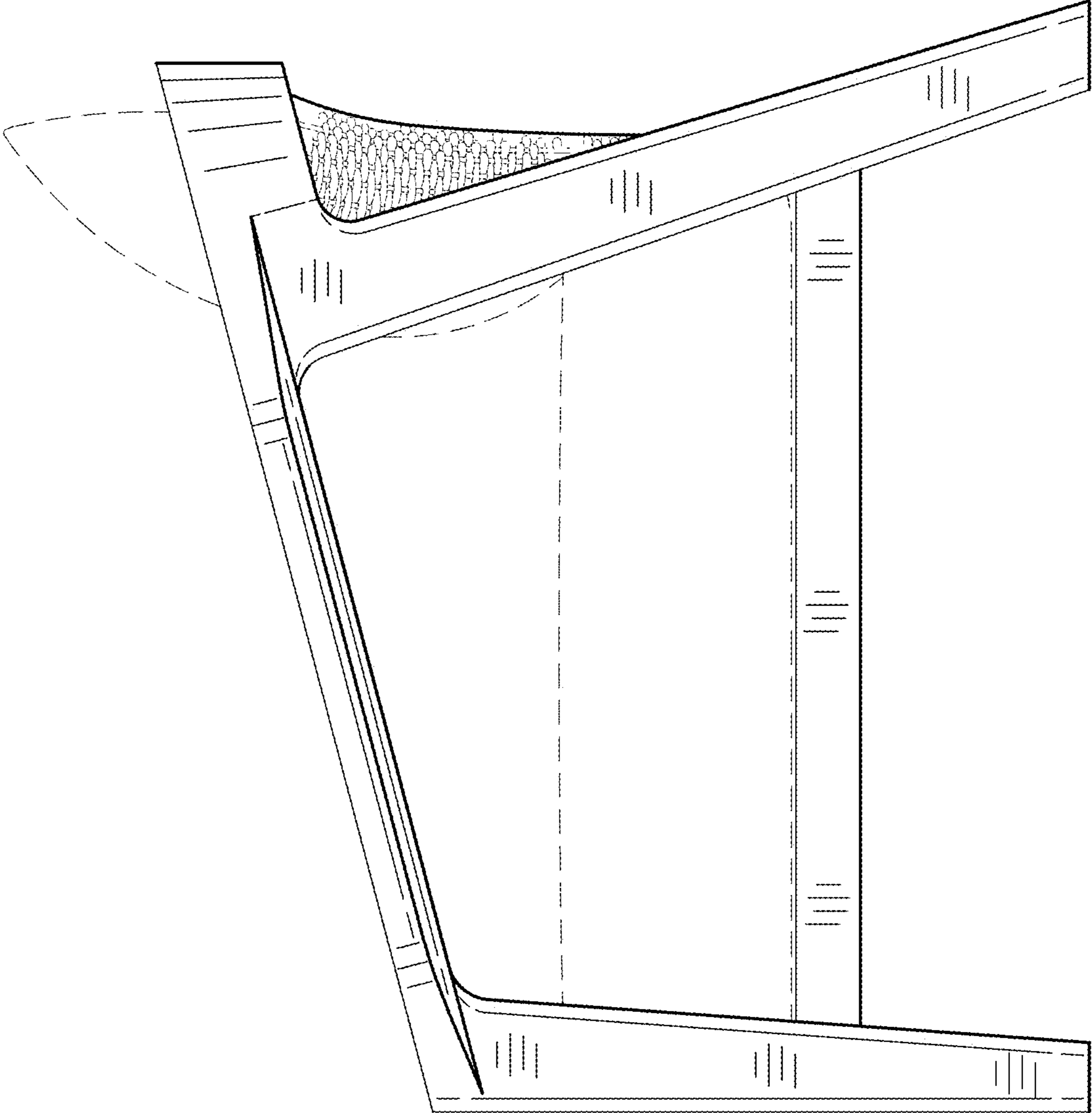


FIG. 5

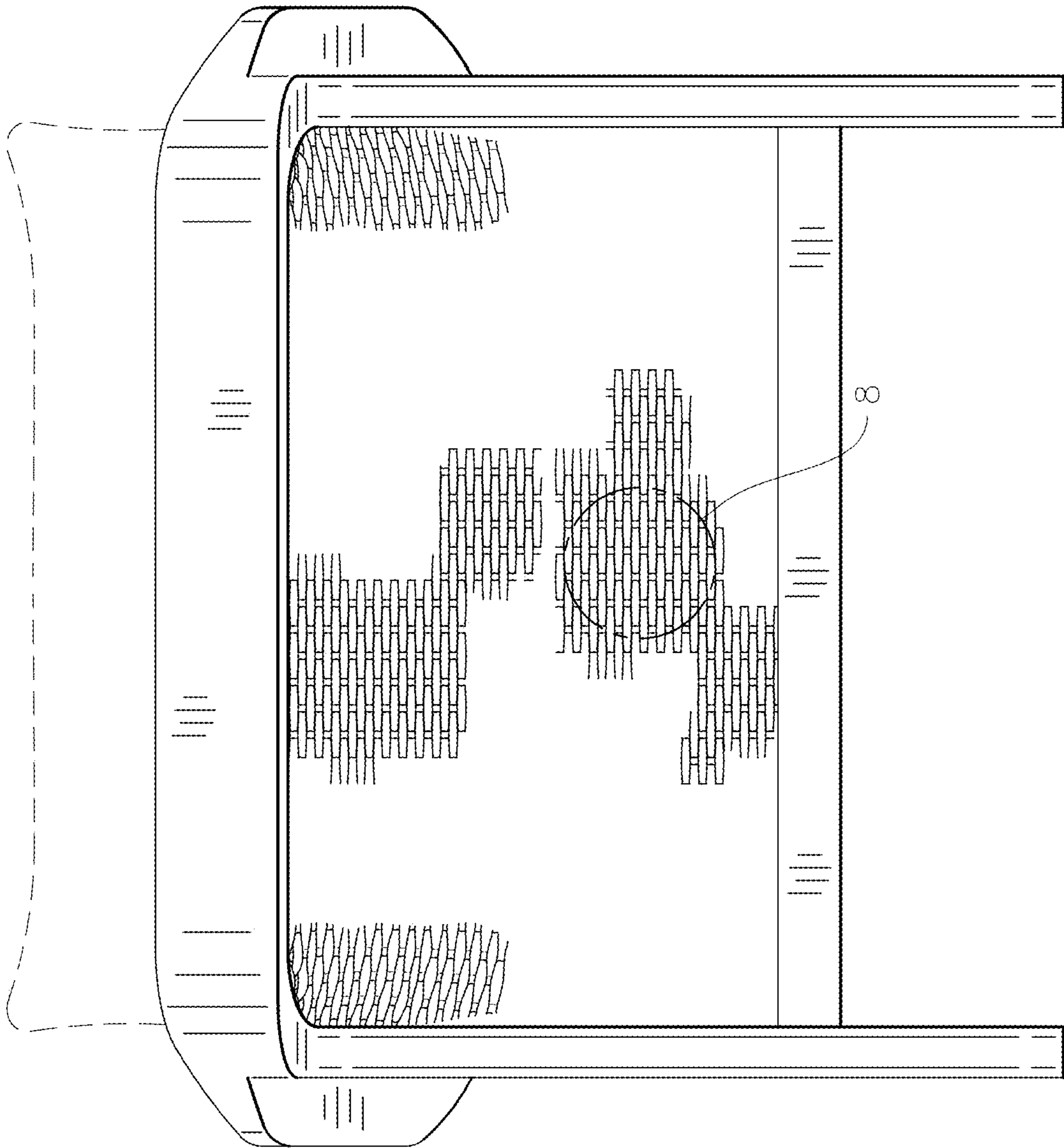


FIG. 6

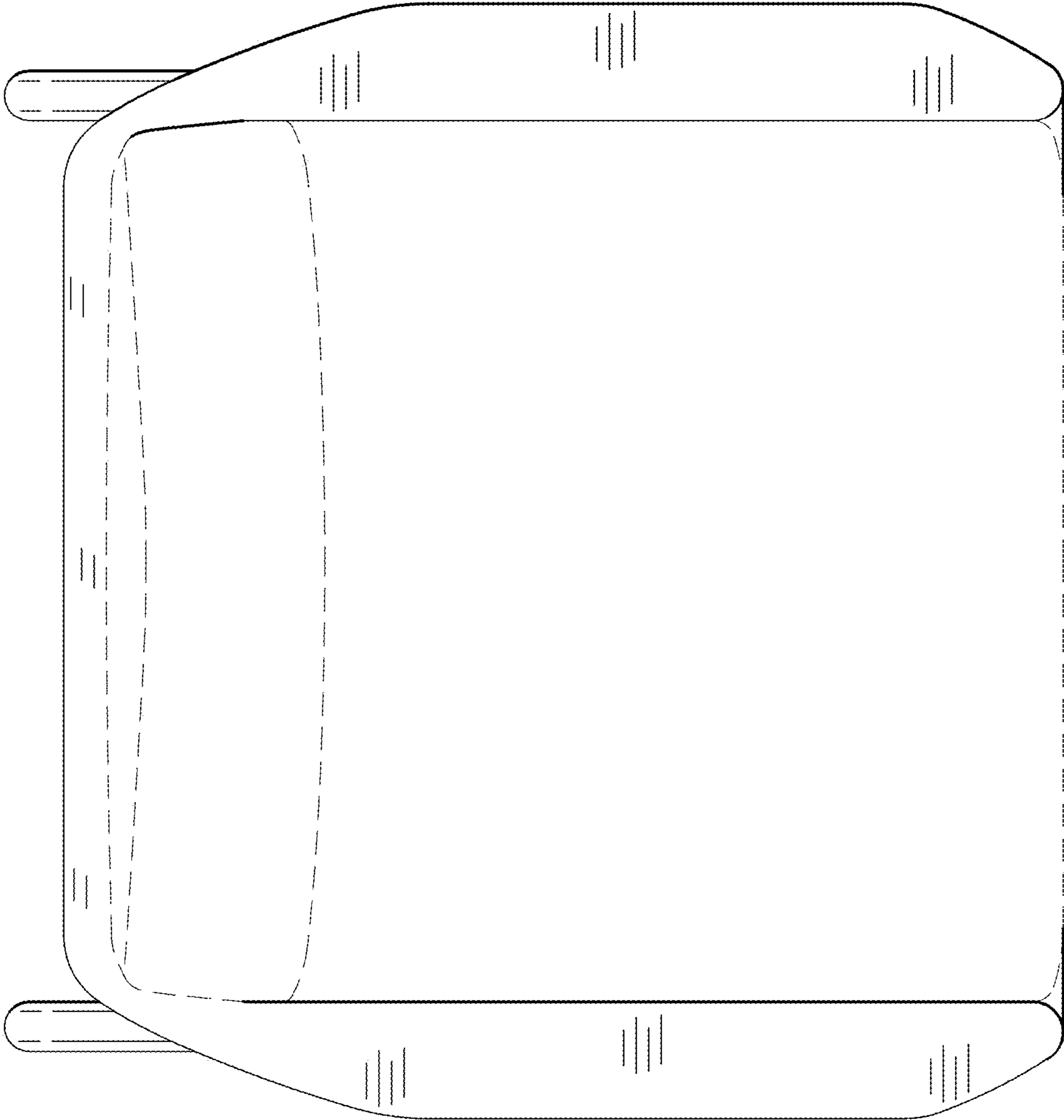


FIG. 8

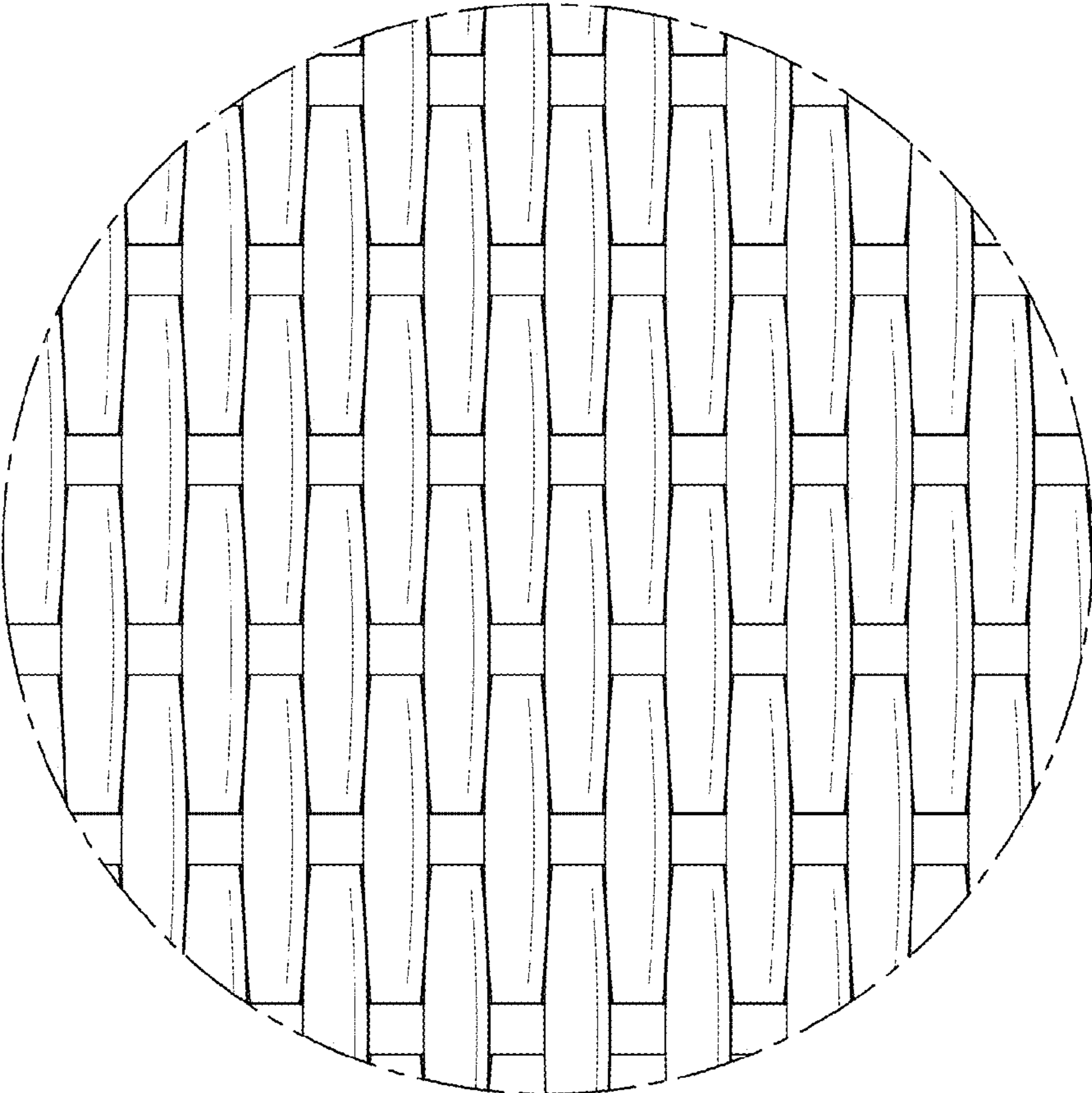


FIG. 7

