



US00D946916S

(12) **United States Design Patent**
Shin et al.

(10) **Patent No.:** **US D946,916 S**
(45) **Date of Patent:** **** Mar. 29, 2022**

(54) **MASSAGE CHAIR**

(71) Applicant: **WOONGJIN COWAY CO., LTD.**,
Choongcheongnam-do (KR)

(72) Inventors: **Su Min Shin**, Seoul (KR); **Jungjae Jeon**, Seoul (KR); **Eung Kyu Park**, Seoul (KR)

(73) Assignee: **WOONGJIN COWAY CO., LTD.**,
Choongcheongnam-do (KR)

(**) Term: **15 Years**

(21) Appl. No.: **29/720,207**

(22) Filed: **Jan. 10, 2020**

(30) **Foreign Application Priority Data**

Jul. 12, 2019 (KR) 30-2019-0033471

(51) **LOC (13) Cl.** **06-01**

(52) **U.S. Cl.**
USPC **D6/367**

(58) **Field of Classification Search**
USPC D6/334, 349, 360, 361, 364, 365, 366,
D6/367, 375, 378, 379, 380
CPC .. A47C 3/00; A47C 3/18; A47C 3/185; A47C
3/20; A47C 1/00; A47C 1/02; A47C
1/022; A47C 1/037; A47C 7/24; A47C
7/36; A47C 7/46; A47C 7/18; A47C 7/50;
A47C 13/005; A47C 15/002; A47C
17/02; A47C 9/007
See application file for complete search history.

(56) **References Cited**

U.S. PATENT DOCUMENTS

D211,170 S * 5/1968 Carsello D6/365
D211,523 S * 6/1968 Duern D6/335

D787,213 S * 5/2017 Lek D6/367
D824,185 S * 7/2018 Wang D6/367
D836,354 S * 12/2018 Cai D6/367
10,464,450 B1 * 11/2019 Peterson A47D 15/00
D878,784 S * 3/2020 Hurford D6/365
D888,451 S * 6/2020 Chen D6/367
D897,710 S * 10/2020 Okuyama D6/367
D923,351 S * 6/2021 Lin D6/367
D933,386 S * 10/2021 Ker D6/367
2018/0104578 A1 * 4/2018 Travis A47C 7/56
2019/0290533 A1 * 9/2019 Le A47C 1/00
2020/0405569 A1 * 12/2020 Kodama A47C 1/022

FOREIGN PATENT DOCUMENTS

JP 2008178491 A * 8/2008
WO WO-2017071162 A1 * 5/2017 A61H 1/00

* cited by examiner

Primary Examiner — R. Johnson

(74) *Attorney, Agent, or Firm* — Millen, White, Zelano & Branigan, P.C.; William Nixon

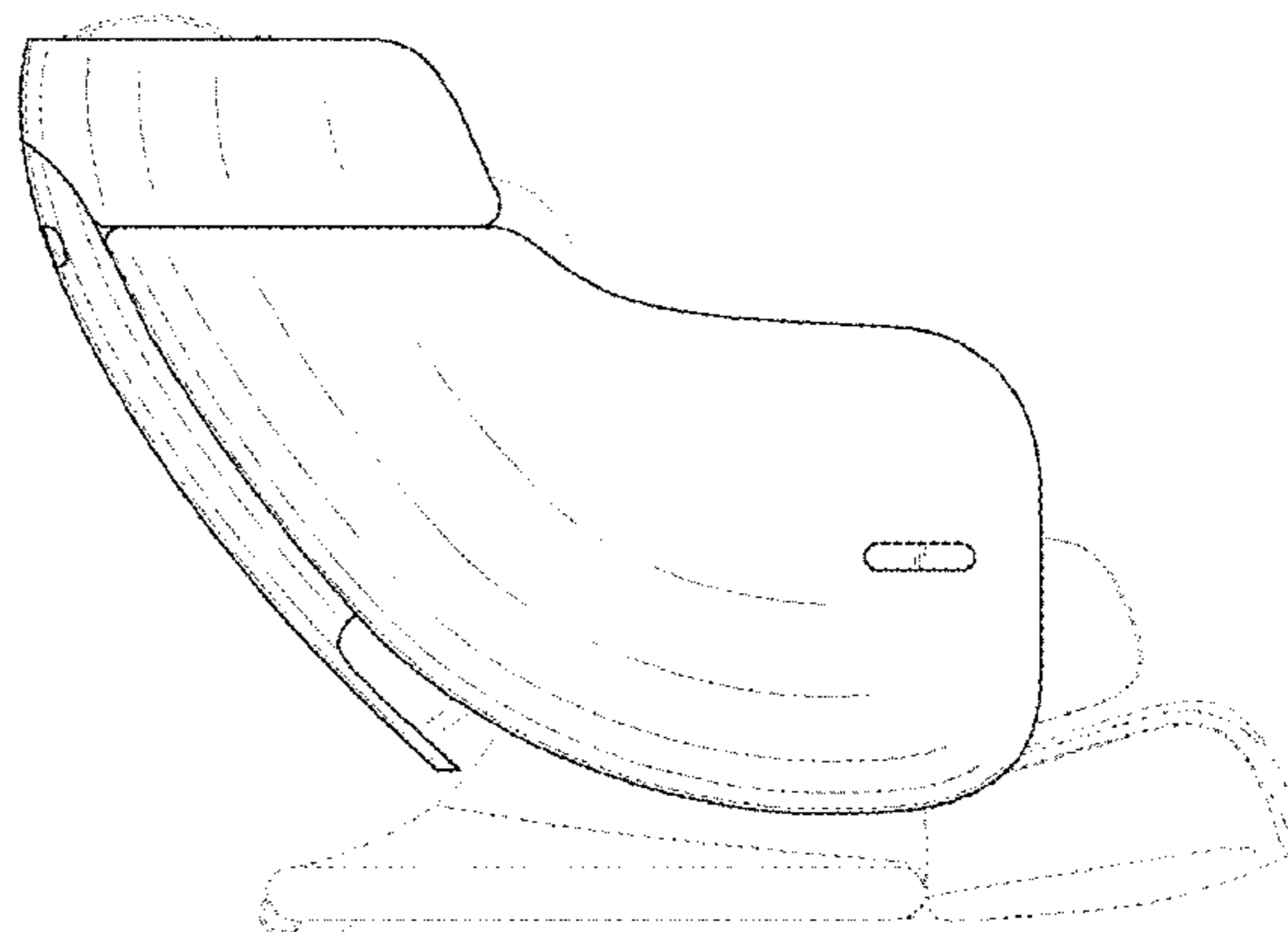
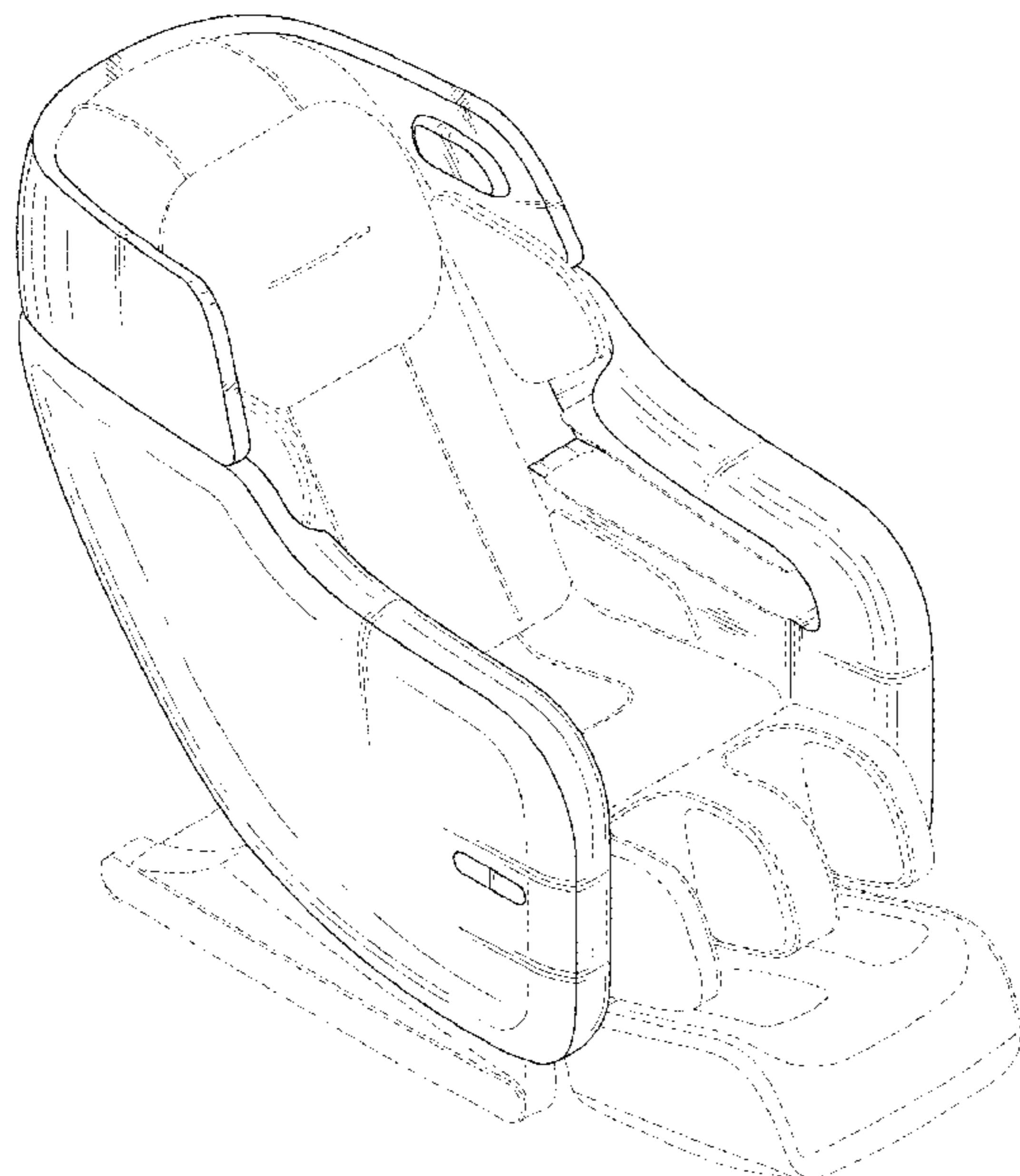
(57) **CLAIM**

The ornamental design for a massage chair, as shown and described.

DESCRIPTION

FIG. 1 illustrates a front perspective view of the massage chair showing our new design;
FIG. 2 illustrates a front elevational view thereof;
FIG. 3 illustrates a rear elevational view thereof;
FIG. 4 illustrates a left side elevational view thereof;
FIG. 5 illustrates a right side elevational view thereof;
FIG. 6 illustrates a top plan elevational view thereof; and,
FIG. 7 illustrates a bottom plan view thereof.
The broken lines shown throughout the views depict unclaimed portions of the design and form no part of the claimed design.

1 Claim, 7 Drawing Sheets



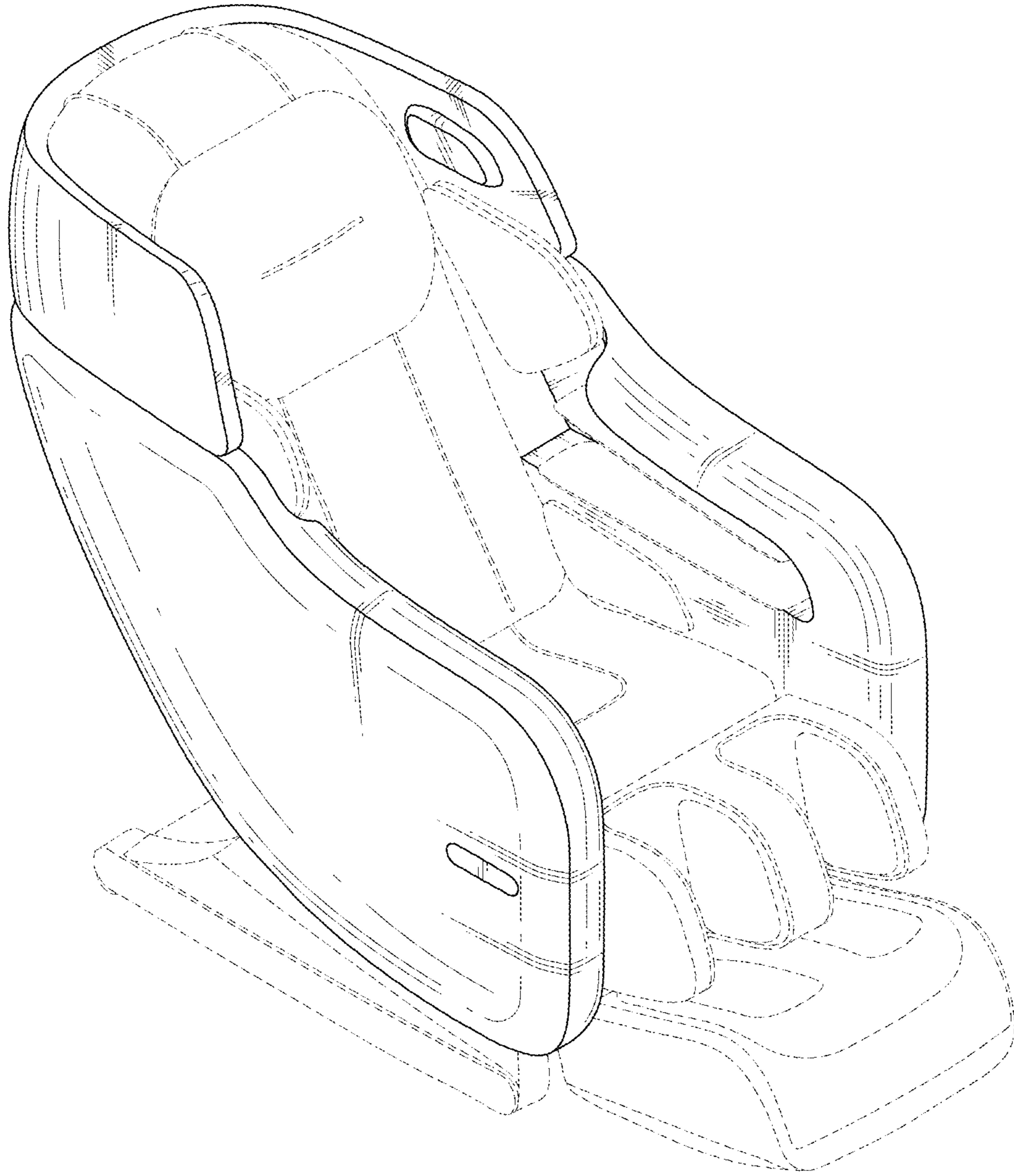


FIG. 1

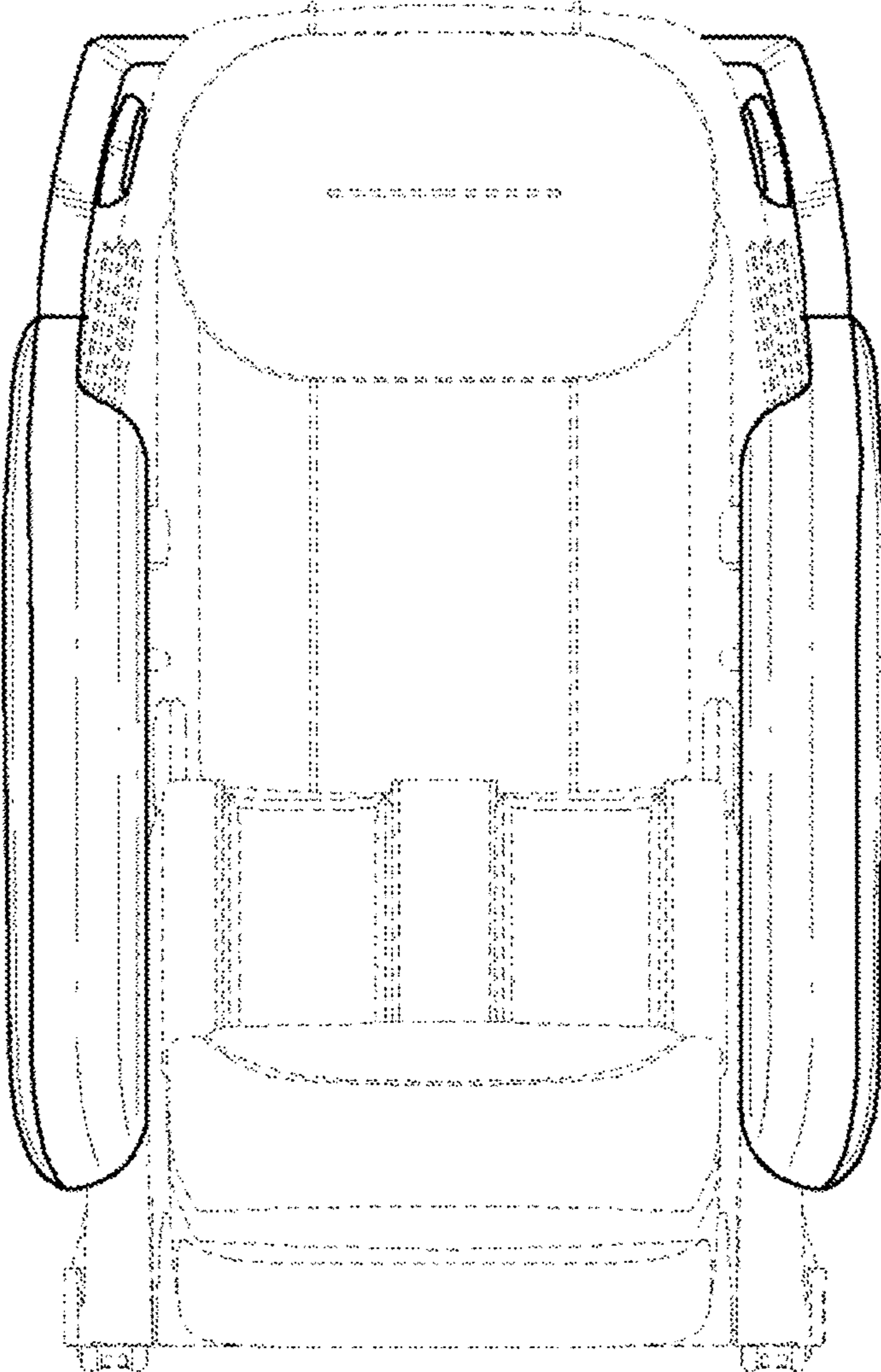


FIG.2

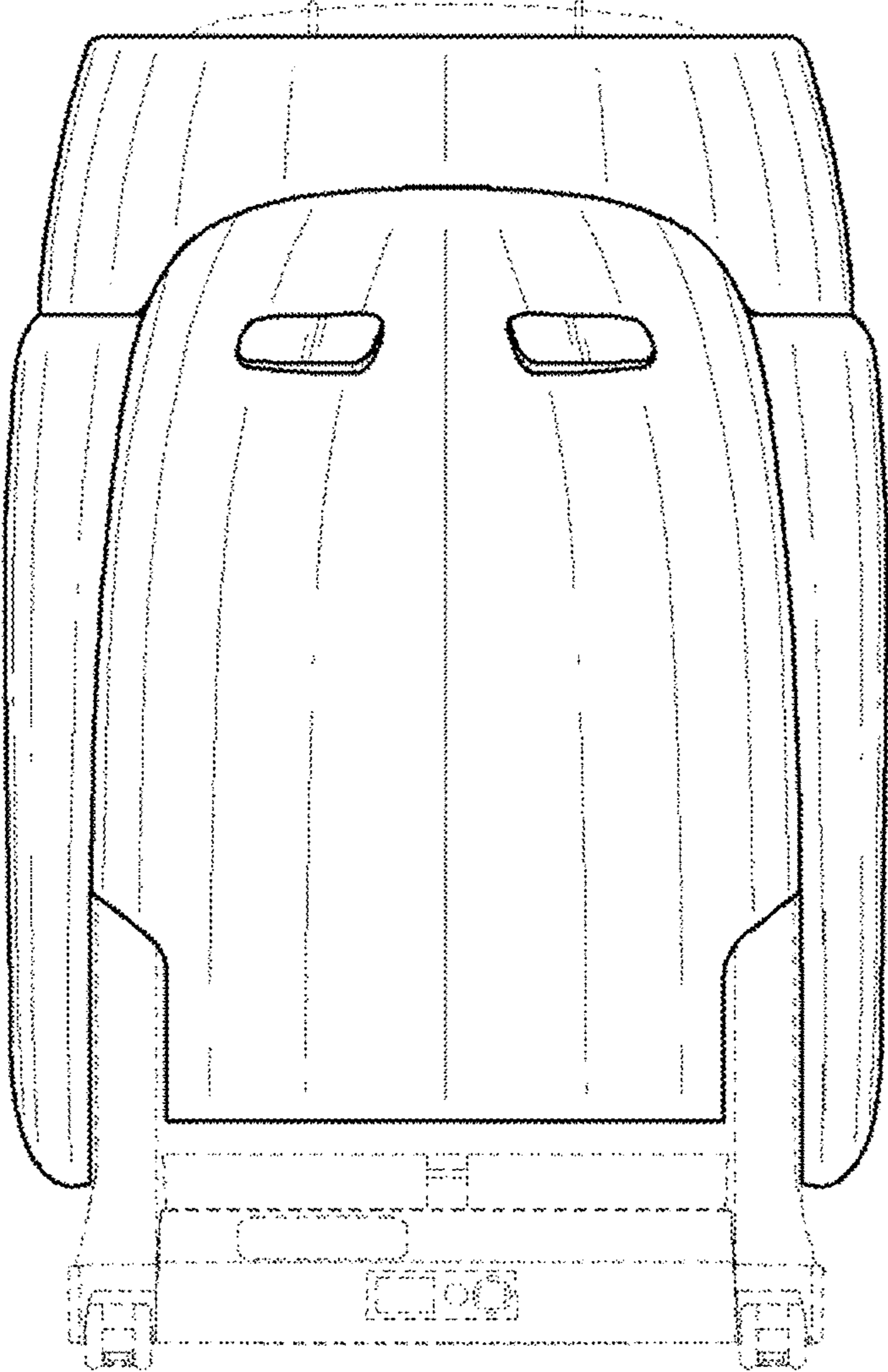


FIG.3

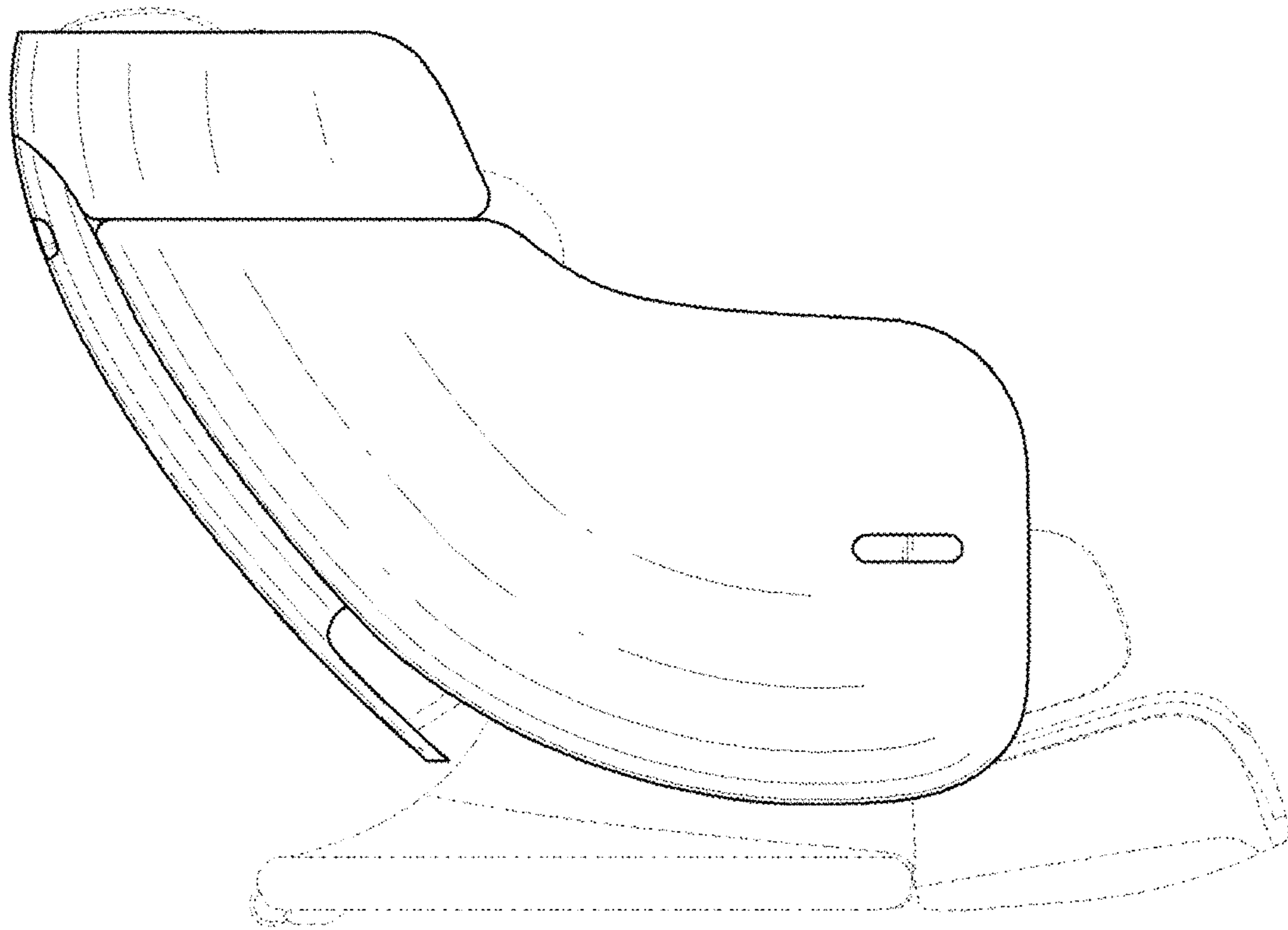


FIG.4

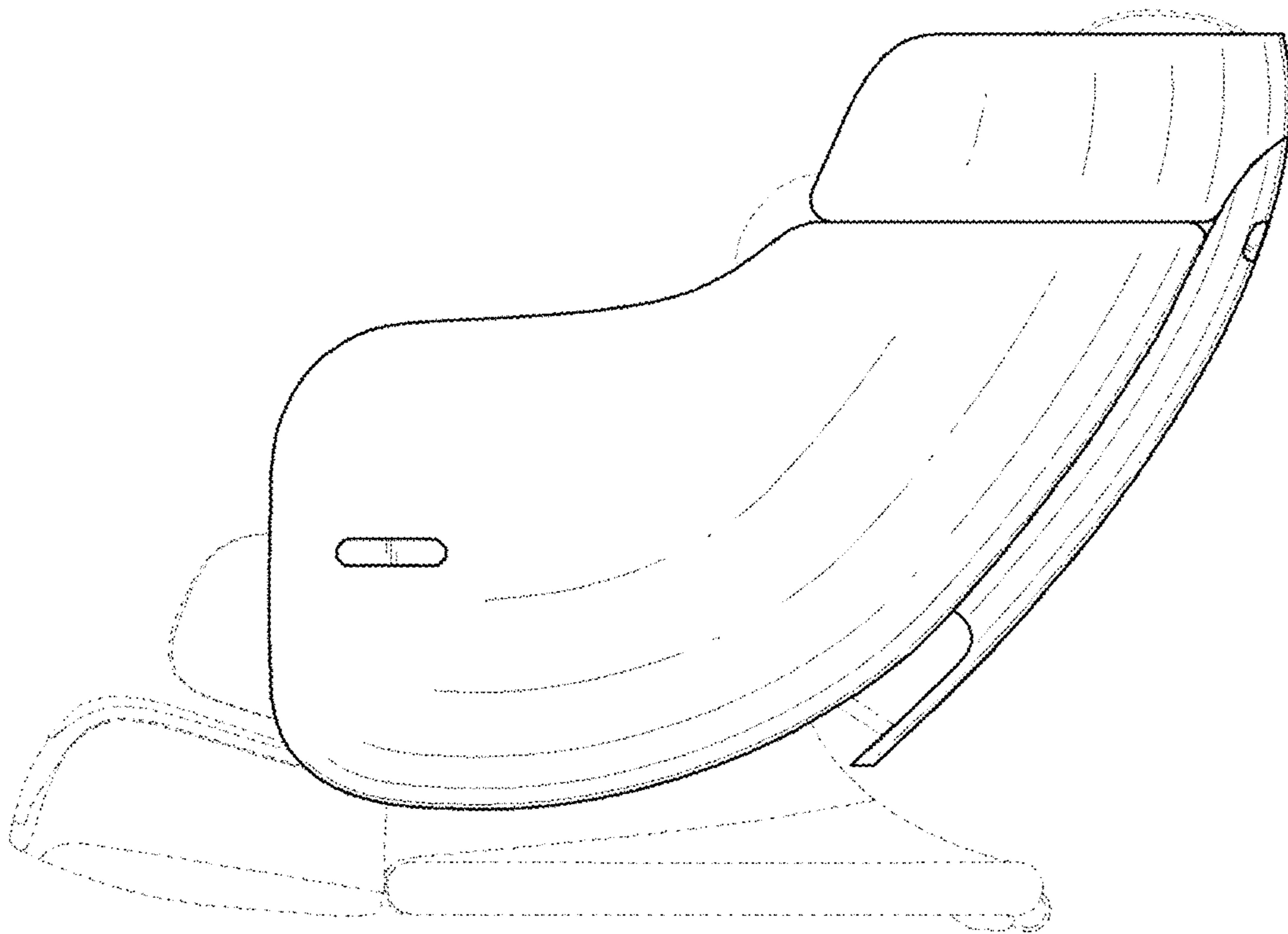


FIG.5

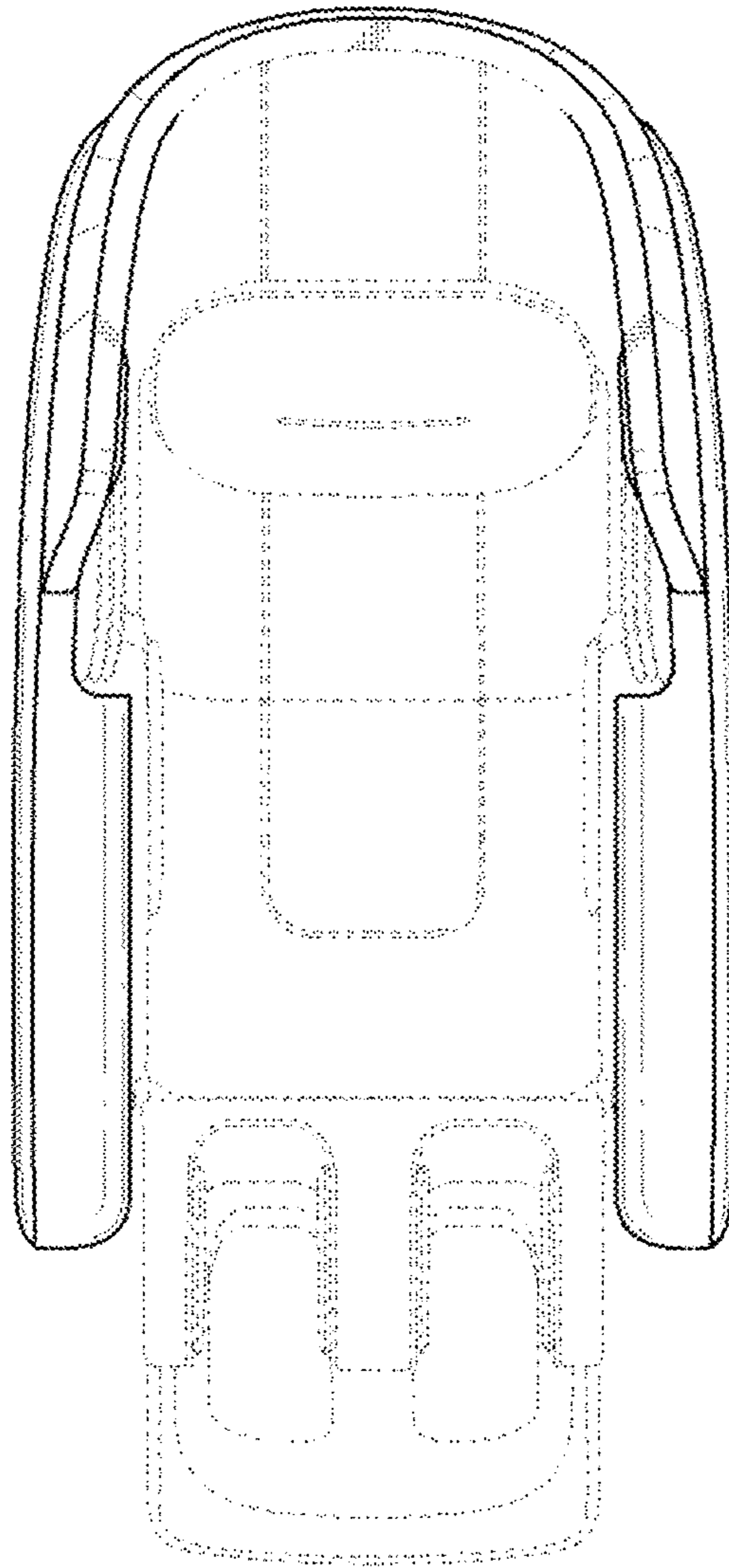


FIG.6

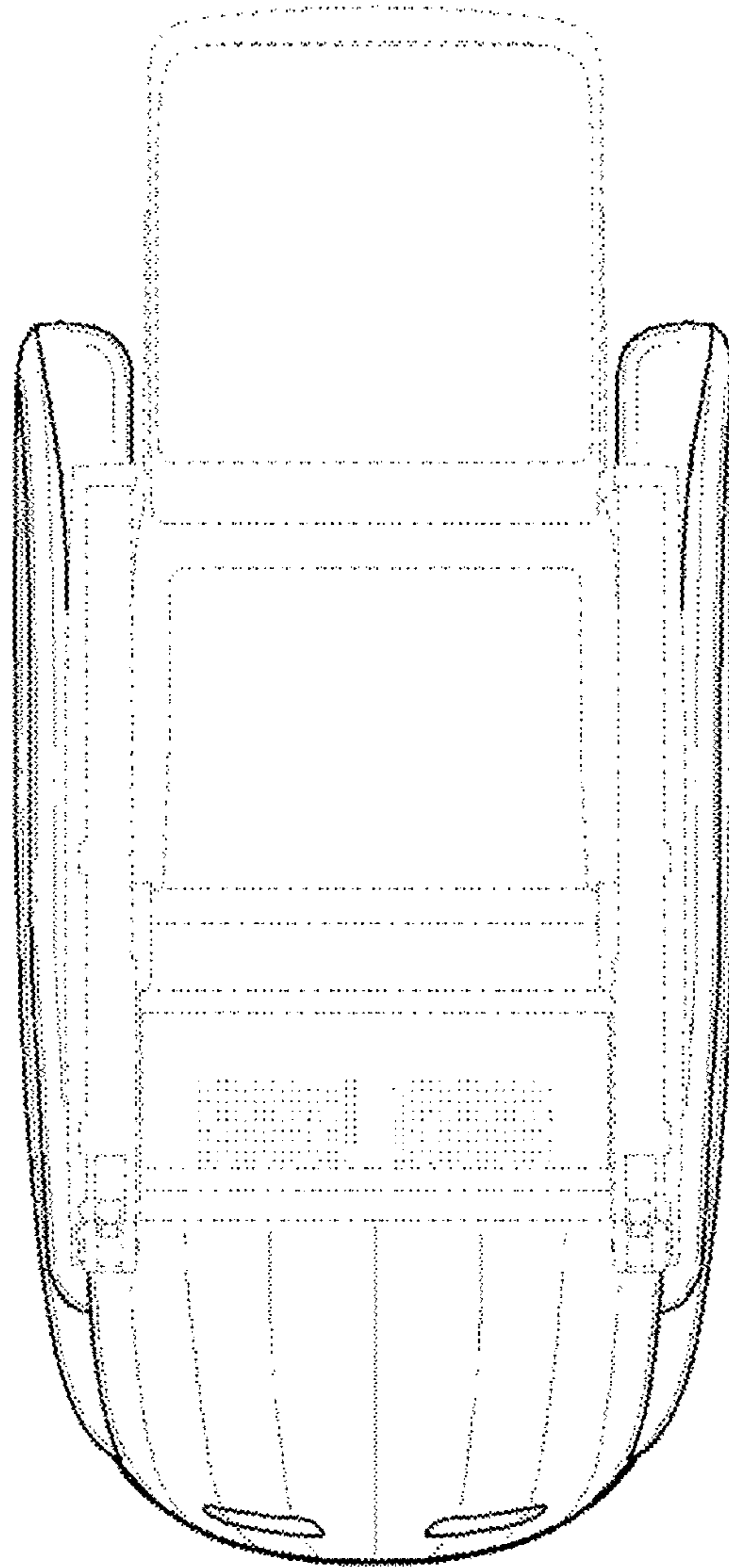


FIG. 7