



US00D946915S

(12) **United States Design Patent** (10) **Patent No.:** **US D946,915 S**
Tygesen (45) **Date of Patent:** **** Mar. 29, 2022**

(54) **SHOWER SEAT**

(56) **References Cited**

(71) Applicant: **Pressalit A/S, Ry (DK)**

U.S. PATENT DOCUMENTS

(72) Inventor: **Anne Mette Thy Tygesen, Aarhus C (DK)**

D342,779 S * 12/1993 Root D23/304
D368,594 S * 4/1996 Settambino D6/349
5,551,100 A * 9/1996 Kindrick A47K 3/001
4/578.1
D729,537 S * 5/2015 Ferm A47K 3/282
D6/362
D815,445 S * 4/2018 Longo A47K 3/001
D6/362
D895,992 S * 9/2020 Hall D6/362
2012/0090088 A1 * 4/2012 Parker A47K 3/282
4/611

(**) Term: **15 Years**

(21) Appl. No.: **35/508,088**

(22) Filed: **Aug. 30, 2019**

(80) **Hague Agreement Data**

Int. Filing Date: **Aug. 30, 2019**

Int. Reg. No.: **DM/204661**

Int. Reg. Date: **Aug. 30, 2019**

Int. Reg. Pub. Date: **Dec. 13, 2019**

* cited by examiner

Primary Examiner — Mary Ann Calabrese

(30) **Foreign Application Priority Data**

May 16, 2019 (WO) WIPO83625

(51) **LOC (13) Cl.** **06-01**

(52) **U.S. Cl.**
USPC **D6/362; D6/355**

(58) **Field of Classification Search**
USPC D6/334, 353, 355, 362, 364, 368, 716.4;
D23/303, 304, 311
CPC A47C 3/00; A47C 3/12; A47C 4/00; A47C
4/02; A47C 7/00; A47C 7/02; A47C 7/16;
A47C 7/18; A47K 3/281; A47K 3/282
See application file for complete search history.

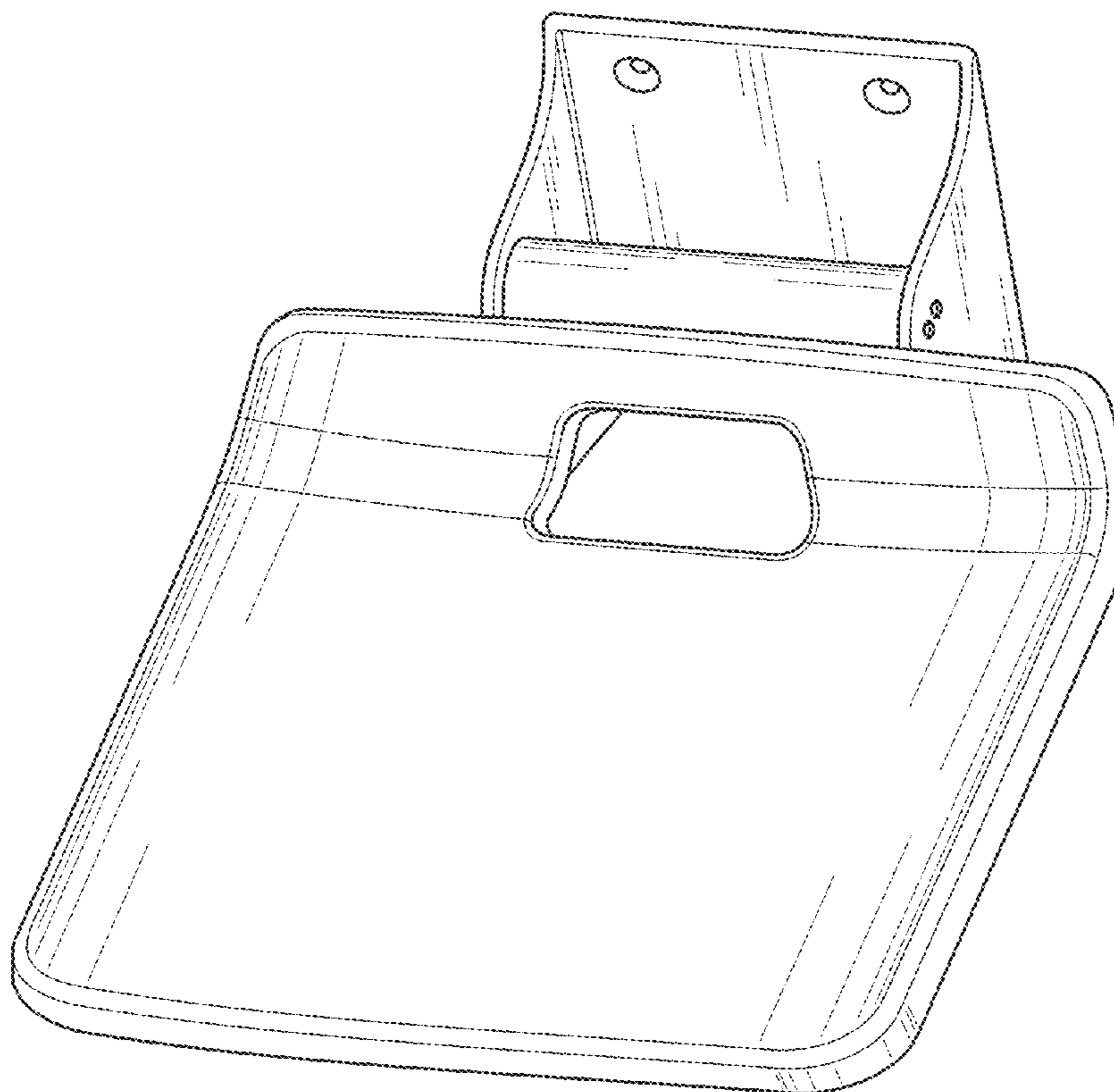
(57) **CLAIM**

The ornamental design for a shower seat, as shown and described.

DESCRIPTION

1.-2. Shower seat
1.1 : Front
1.2 : Top
1.3 : Right
1.4 : Left
1.5 : Perspective
1.6 : Bottom

1 Claim, 6 Drawing Sheets



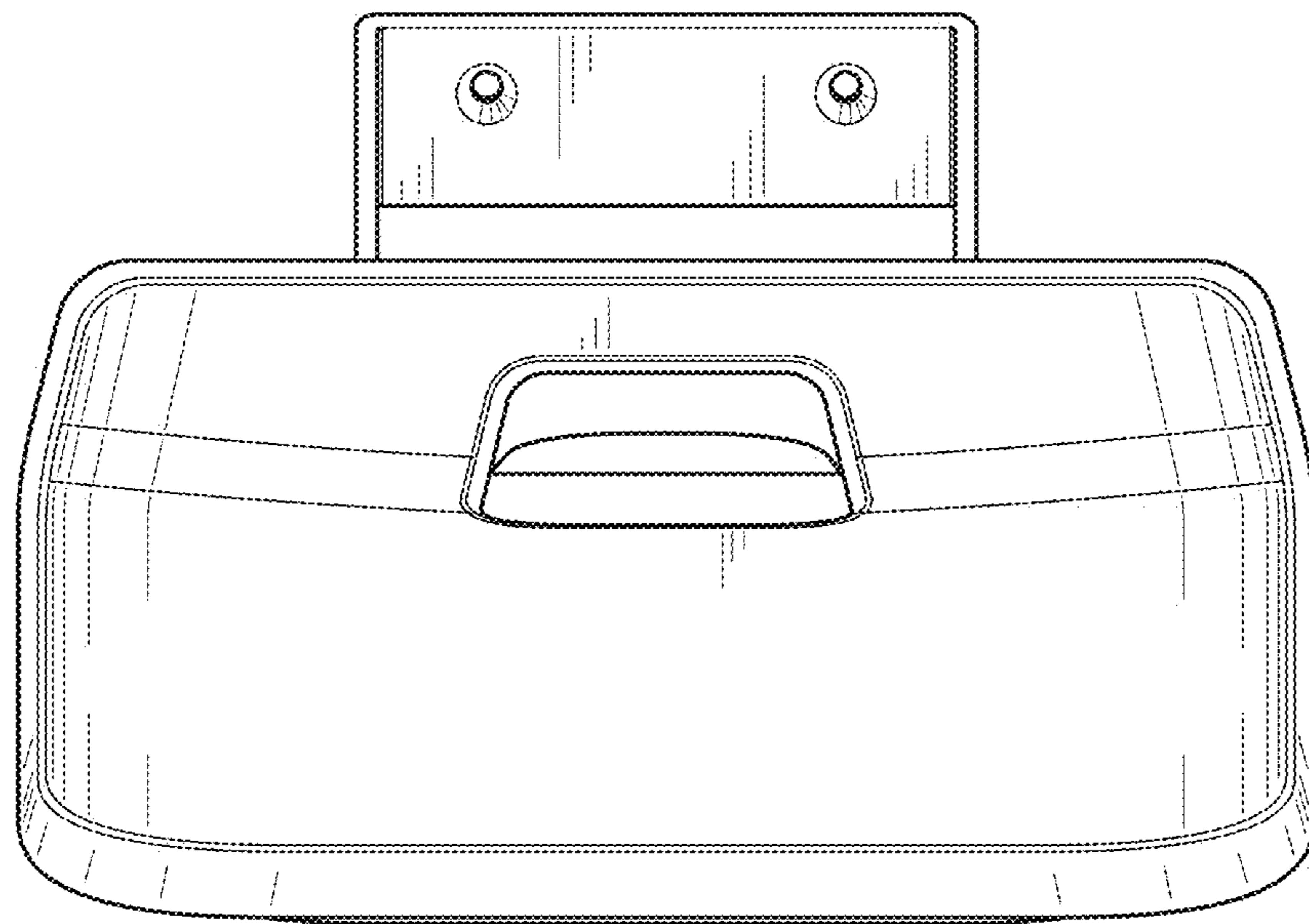


FIG. 1.1



FIG. 1.2

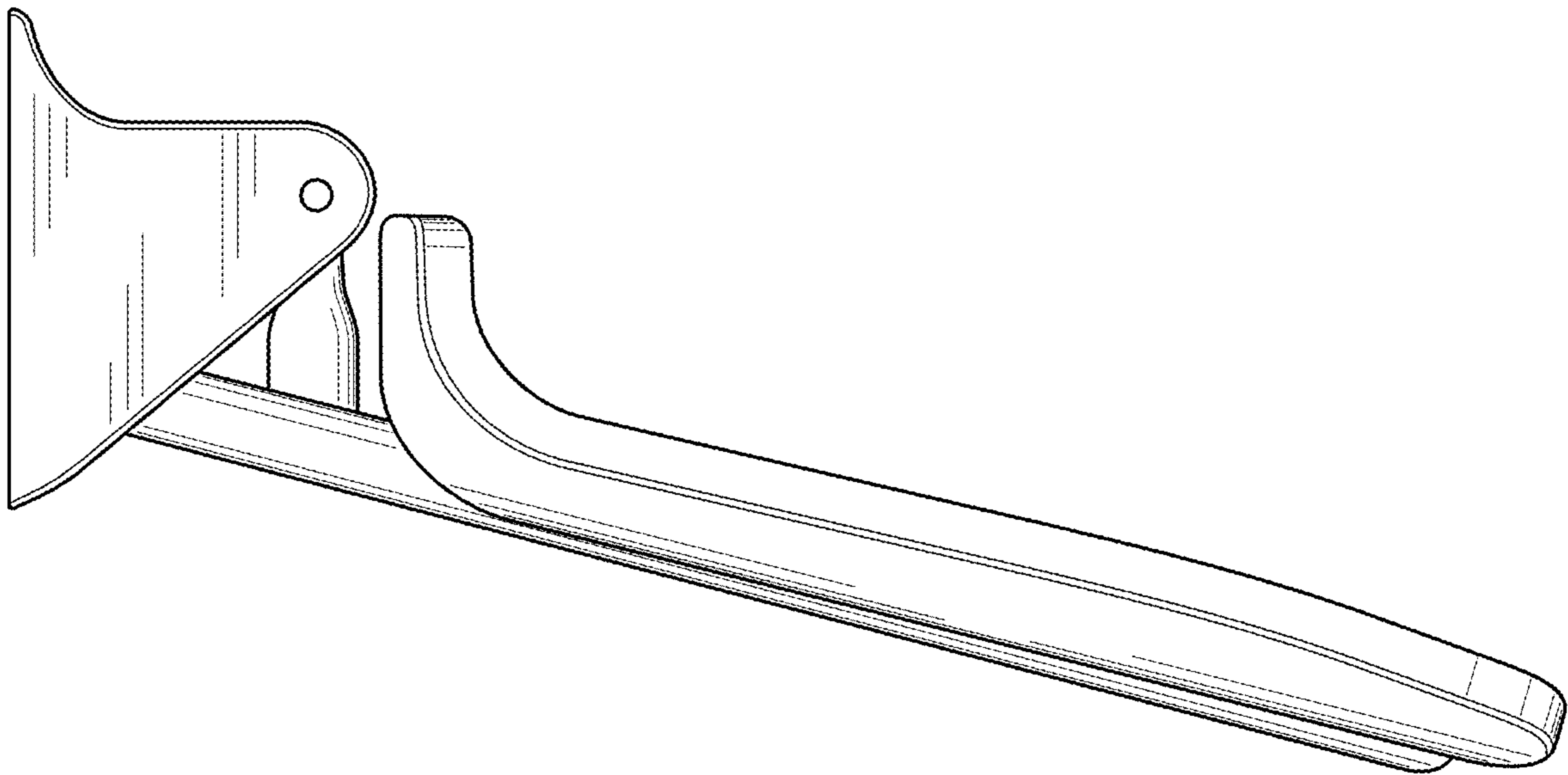


FIG. 1.3

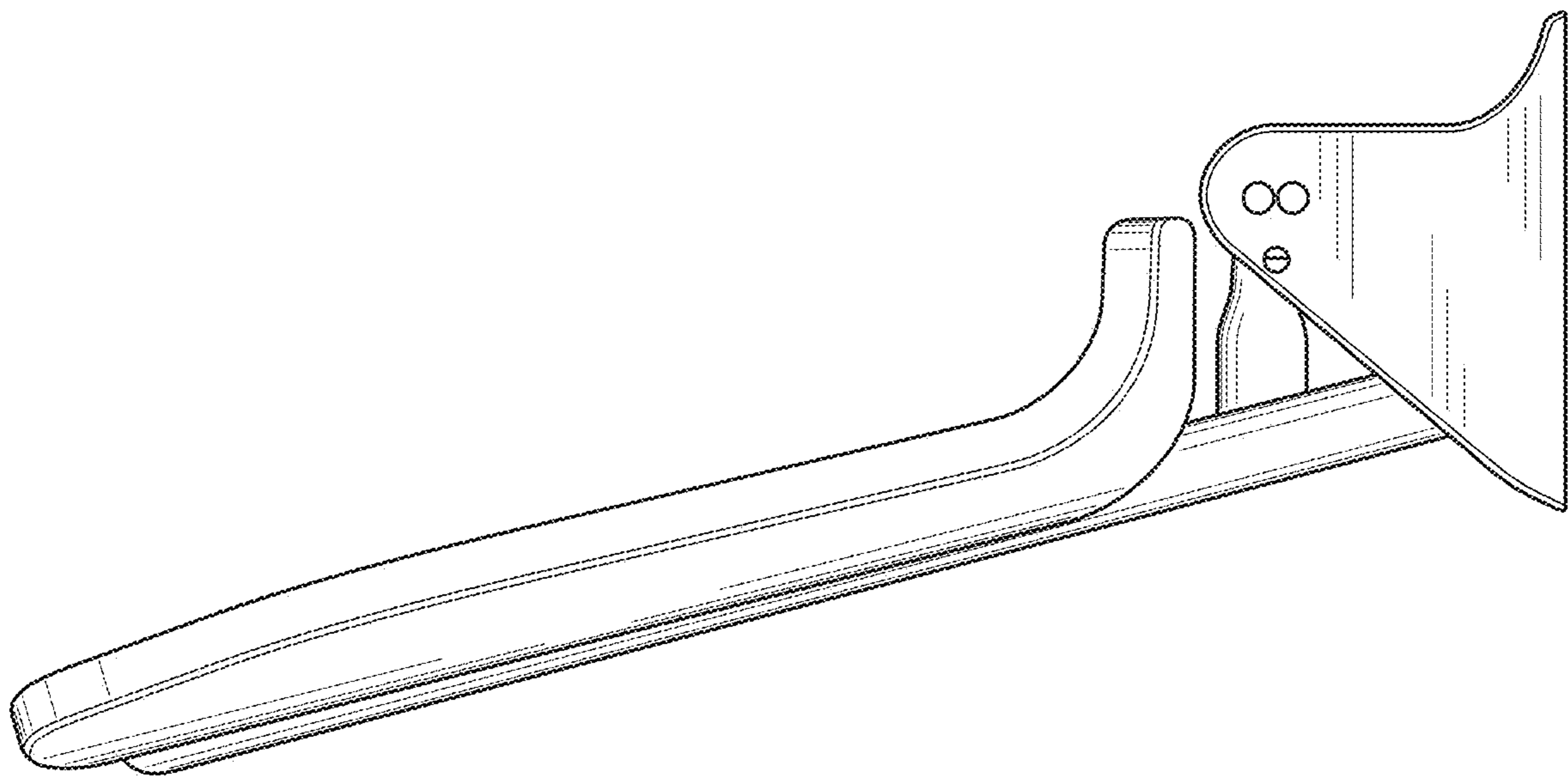


FIG. 1.4

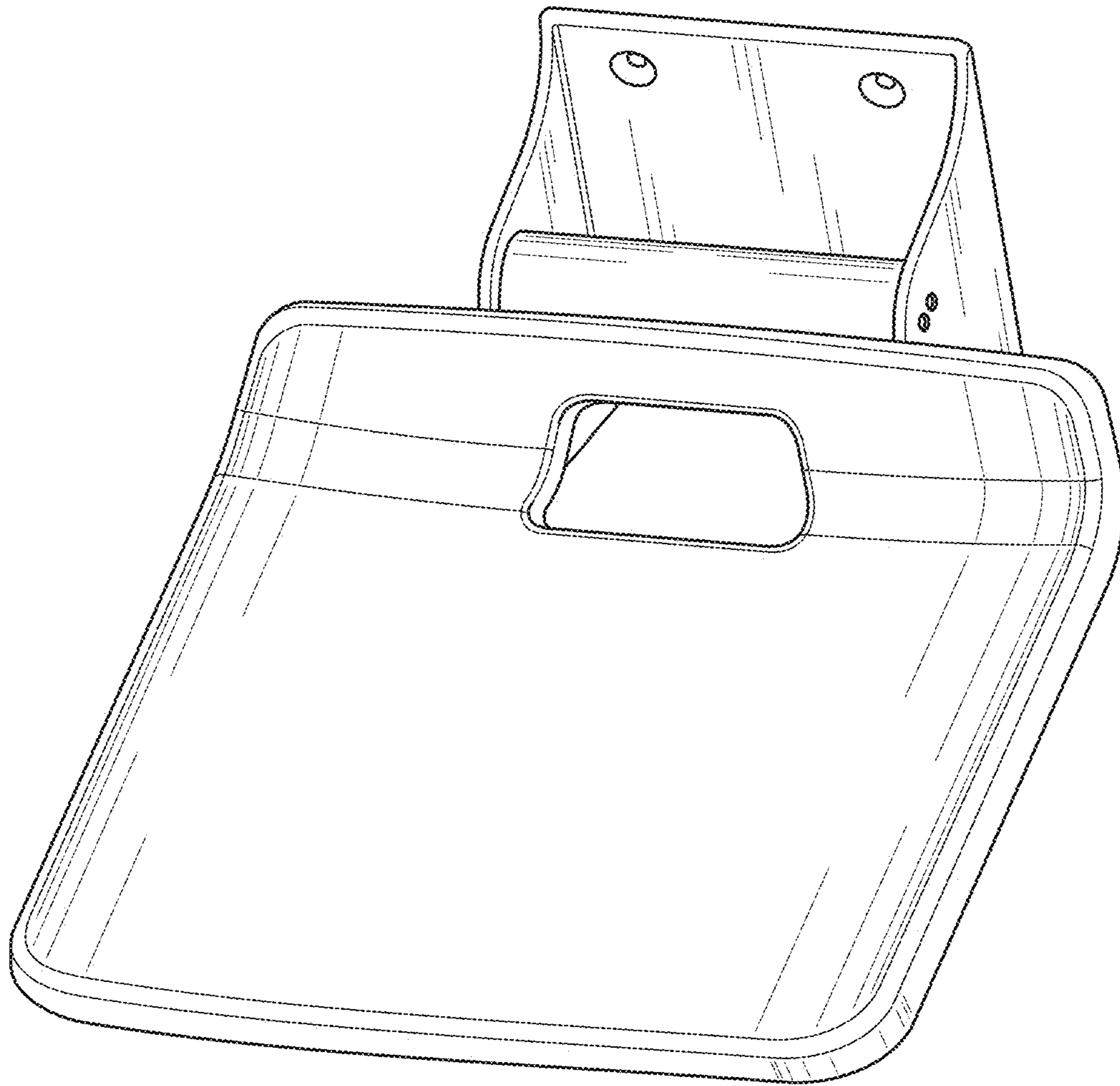


FIG. 1.5

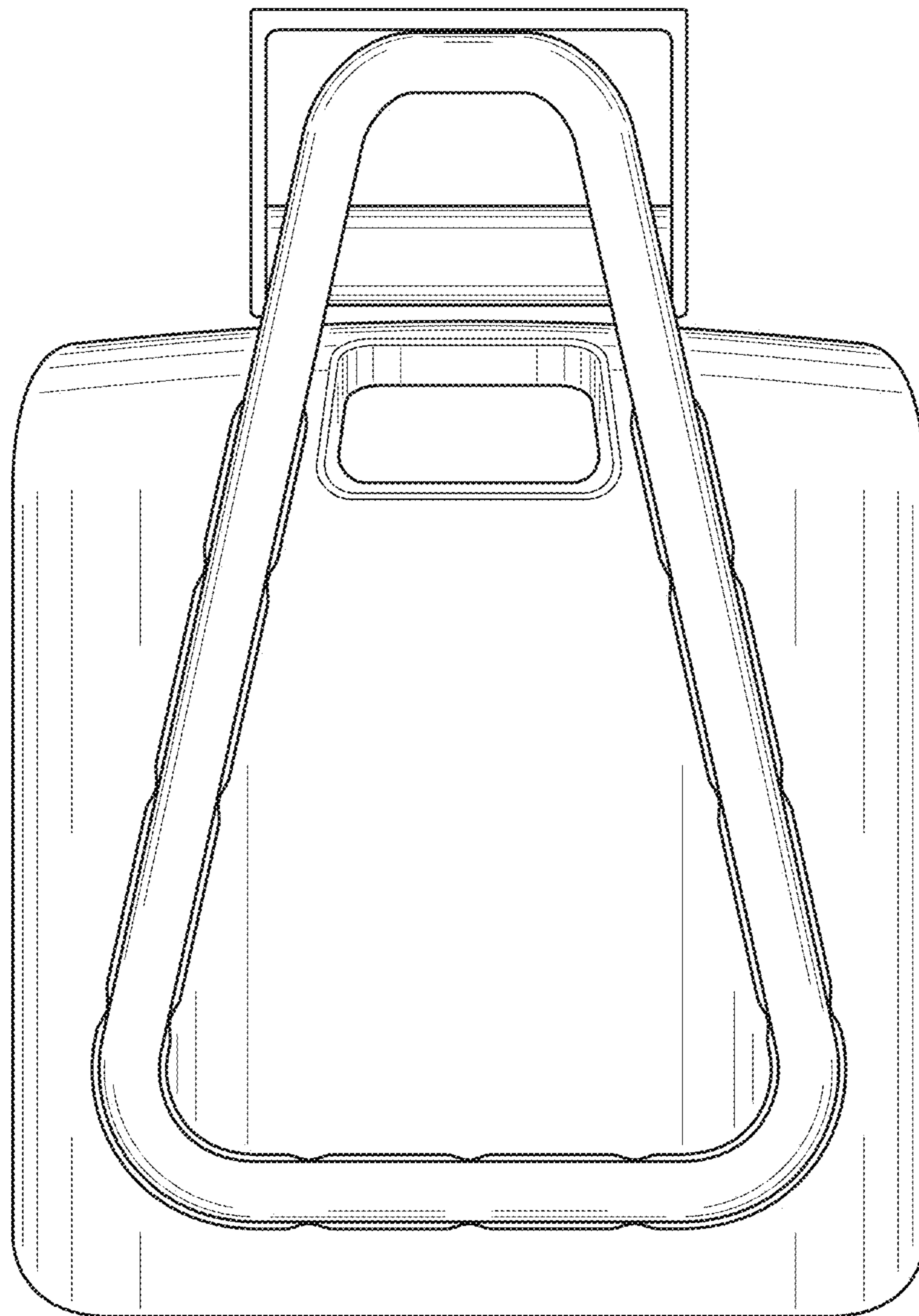


FIG. 1.6