



US00D946914S

(12) **United States Design Patent**
Tian

(10) **Patent No.:** **US D946,914 S**
(45) **Date of Patent:** **** Mar. 29, 2022**

(54) **CHAIR AND STOOL SET**

(71) Applicant: **Xuming Tian**, Liuyang (CN)

(72) Inventor: **Xuming Tian**, Liuyang (CN)

(**) Term: **15 Years**

(21) Appl. No.: **29/743,790**

(22) Filed: **Jul. 24, 2020**

(51) **LOC (13) Cl.** **06-01**

(52) **U.S. Cl.**
USPC **D6/335**

(58) **Field of Classification Search**

USPC D6/334, 335, 349, 360, 361, 369, 370,
D6/374, 375, 378, 379, 380, 650, 716,
D6/716.1, 716.3

CPC A47C 4/02; A47C 4/03; A47C 3/12; A47C
5/04; A47C 5/12; A47C 4/024; A47C
4/028; A47C 7/54; A47C 1/00; A47C
3/38; A47C 7/006; A47C 13/00; A47C
15/00

See application file for complete search history.

(56) **References Cited**

U.S. PATENT DOCUMENTS

D327,583 S *	7/1992	Dettinger	D6/334
D434,233 S *	11/2000	Frankel	D6/334
D508,335 S *	8/2005	Ghetti	D6/335
D643,224 S *	8/2011	Sofield	D6/334
D689,290 S *	9/2013	Chen	D6/334
D724,854 S *	3/2015	Lee	D6/334
D785,355 S *	5/2017	George, II	D6/371
D799,228 S *	10/2017	Lewis	D6/364
D801,708 S *	11/2017	Petrucelli	D6/335
D802,310 S *	11/2017	Rockwell	D6/334
D880,173 S *	4/2020	Killinger	D6/334
D896,536 S *	9/2020	Tian	D6/335
D901,922 S *	11/2020	Slettvoll	D6/374

OTHER PUBLICATIONS

Trevi Accent Chair [online], [site visited Jan. 25, 2022]. Available from internet, URL: <<https://www.valuecityfurniture.com/product/>

item/living-room/seating/chairs-chaises/trevi-accent-chair/2404539> (Year: 2022).*

Easyfashion Velvet Club Accent Chair and Ottoman Set [online], [site visited Jan. 25, 2022]. Available from internet, URL: <<https://www.walmart.com/ip/Easyfashion-Velvet-Club-Accent-Chair-and-Ottoman-Set-Gray/799780219>> (Year: 2021).*

(Continued)

Primary Examiner — Cynthia Ramirez

Assistant Examiner — Xavier Marti-Santos

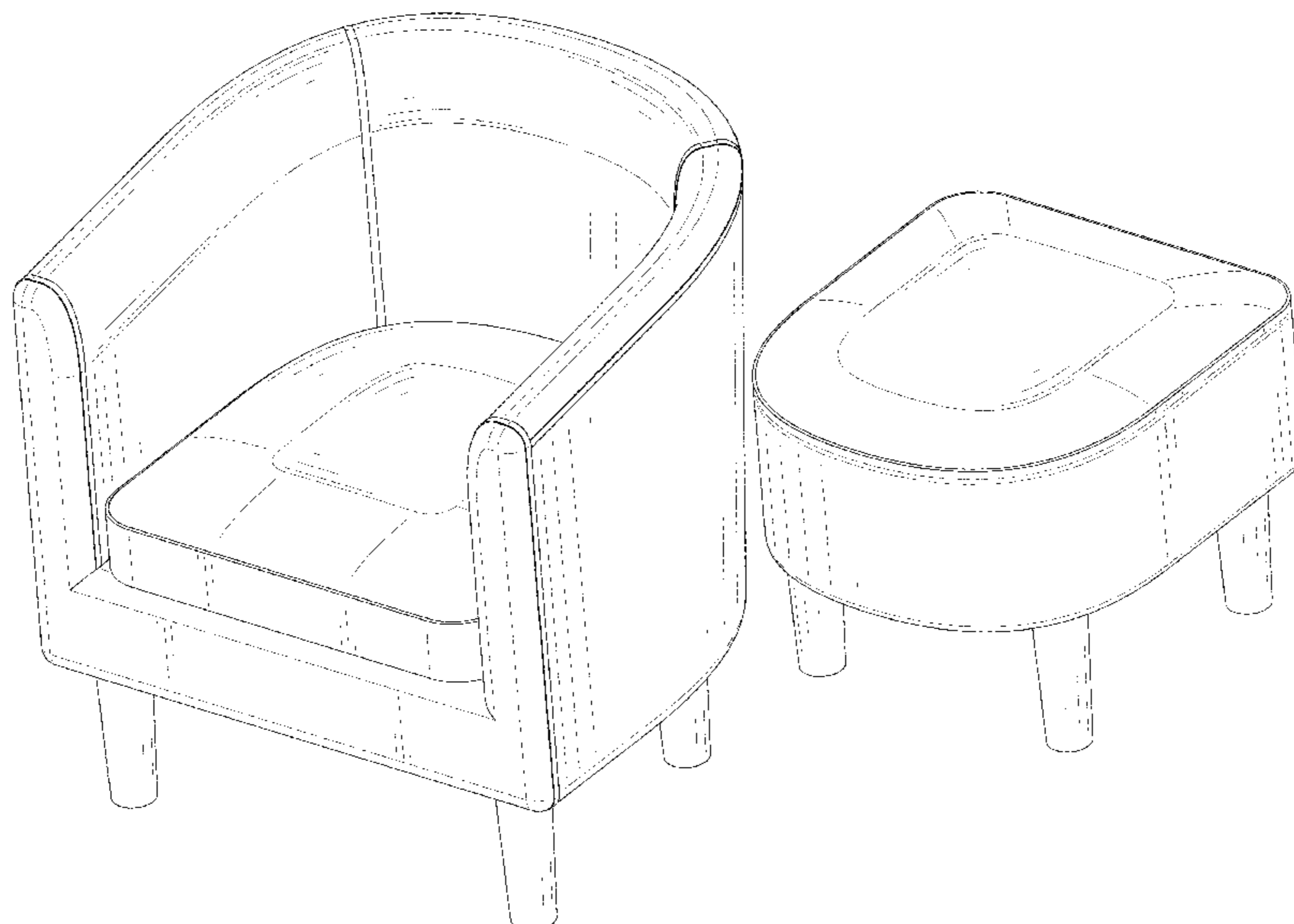
(57) **CLAIM**

The ornamental design for a chair and stool set, as shown and described.

DESCRIPTION

FIG. 1 is a perspective view of a chair of chair and stool set, shown separately for ease of illustration; FIG. 2 is another perspective view thereof; FIG. 3 is a front elevational view thereof; FIG. 4 is a rear elevational view thereof; FIG. 5 is a left side elevational view thereof; FIG. 6 is a right side elevational view thereof; FIG. 7 is a top plan view thereof; FIG. 8 is a bottom plan view thereof; FIG. 9 is a perspective view of the stool of the chair of stool set, shown separately for ease of illustration; FIG. 10 is another perspective view thereof; FIG. 11 is a front elevational view thereof; FIG. 12 is a rear elevational view thereof; FIG. 13 is a left side elevational view thereof; FIG. 14 is a right side elevational view thereof; FIG. 15 is a top plan view thereof; FIG. 16 is a bottom plan view thereof; and, FIG. 17 is a perspective view of the chair and stool set in a stashed position.

1 Claim, 17 Drawing Sheets



(56)

References Cited

OTHER PUBLICATIONS

Amazon Basics Barrel Accent Chair with Ottoman [online], [site visited Jan. 25, 2022]. Available from internet, URL: <<https://www.amazon.com/dp/B082L7ZMZP?tag=furniturecom1-20&linkCode=ogi&th=1&psc=1>> (Year: 2020).*

Monarch Specialties Black Velvet Accent [online], [site visited Jan. 25, 2022]. Available from internet, URL: <<https://www.cvkstore.com/p/?iid=189848986&pr=35.99>> (Year: 2022).*

* cited by examiner

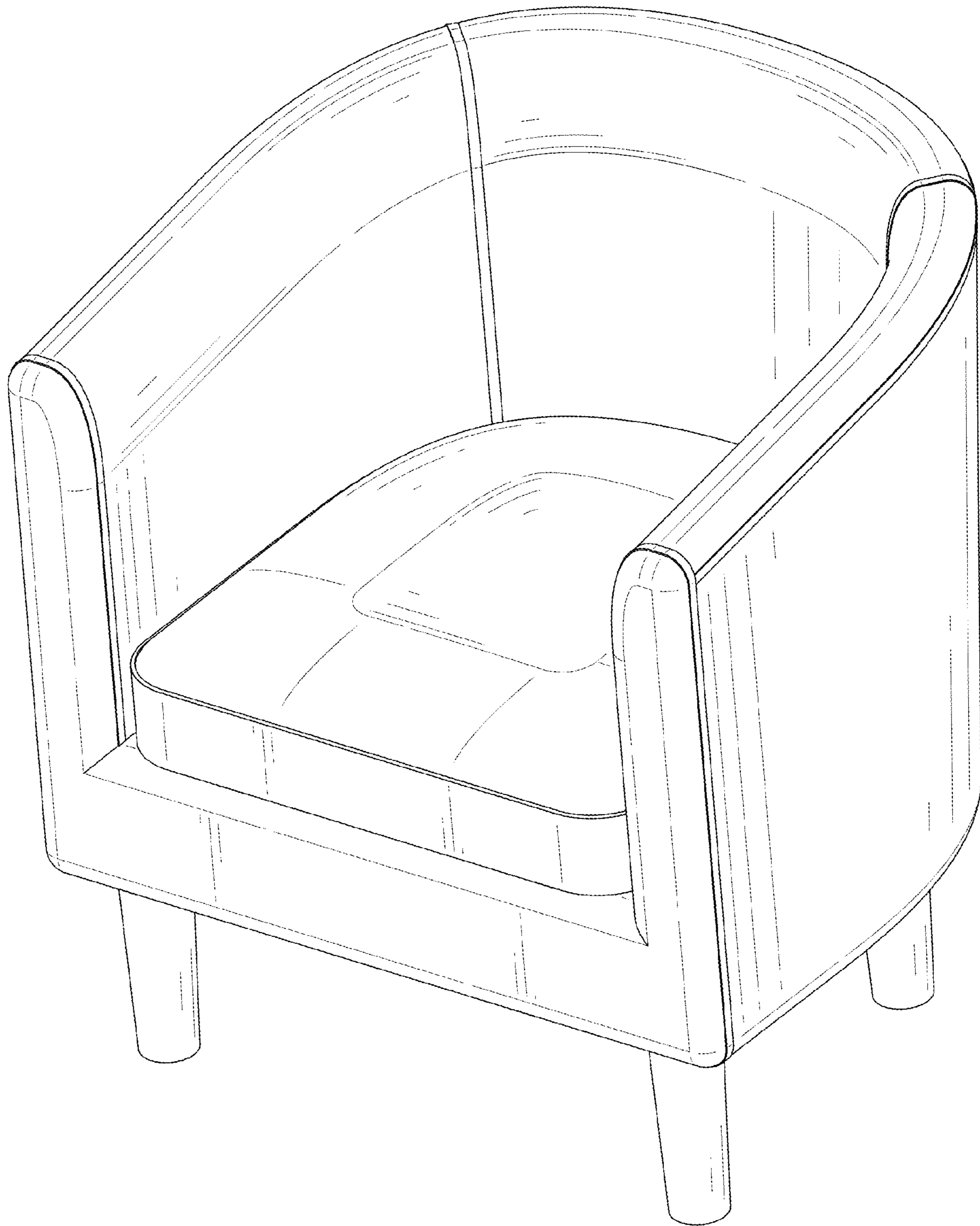


FIG. 1

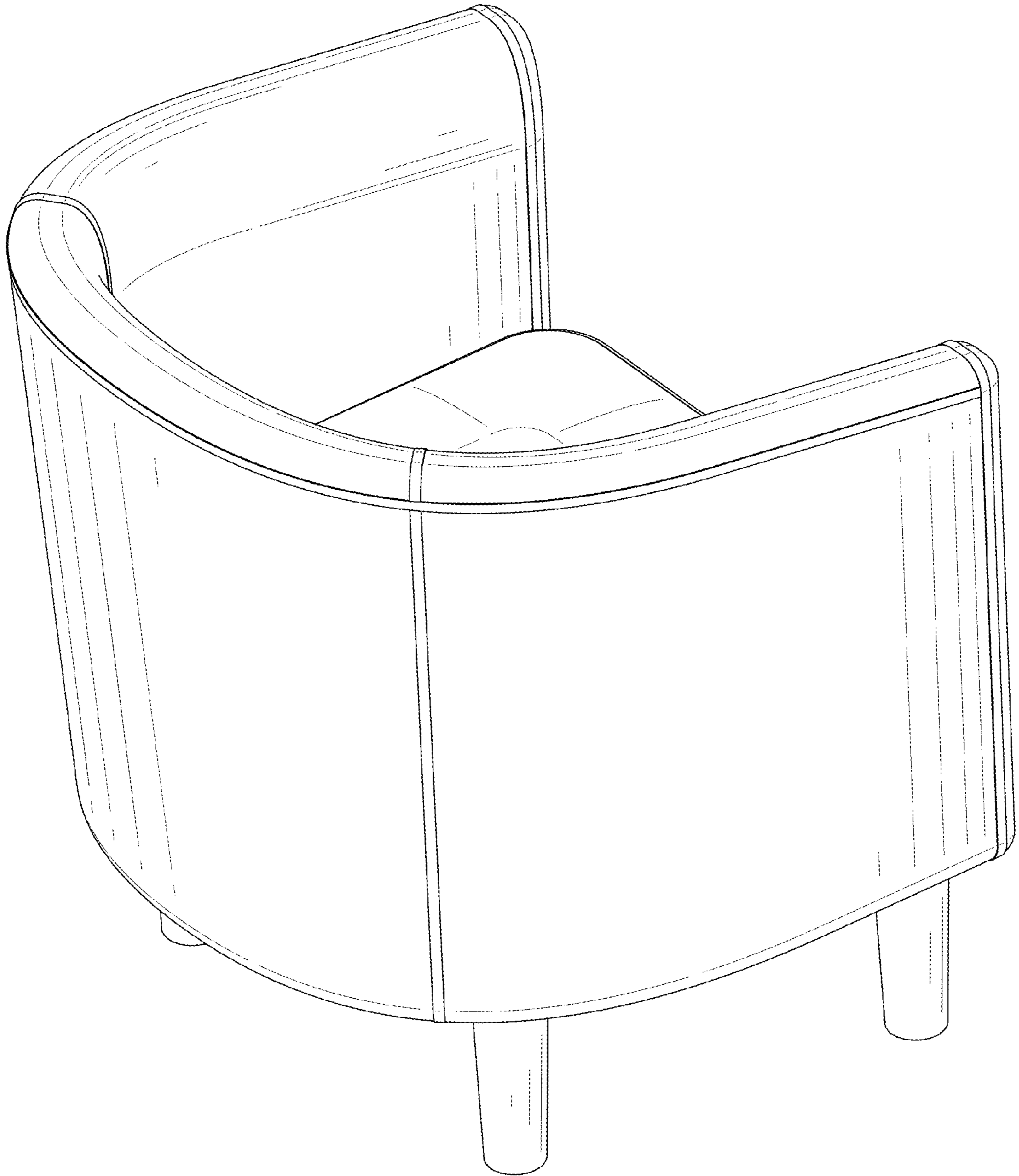


FIG. 2

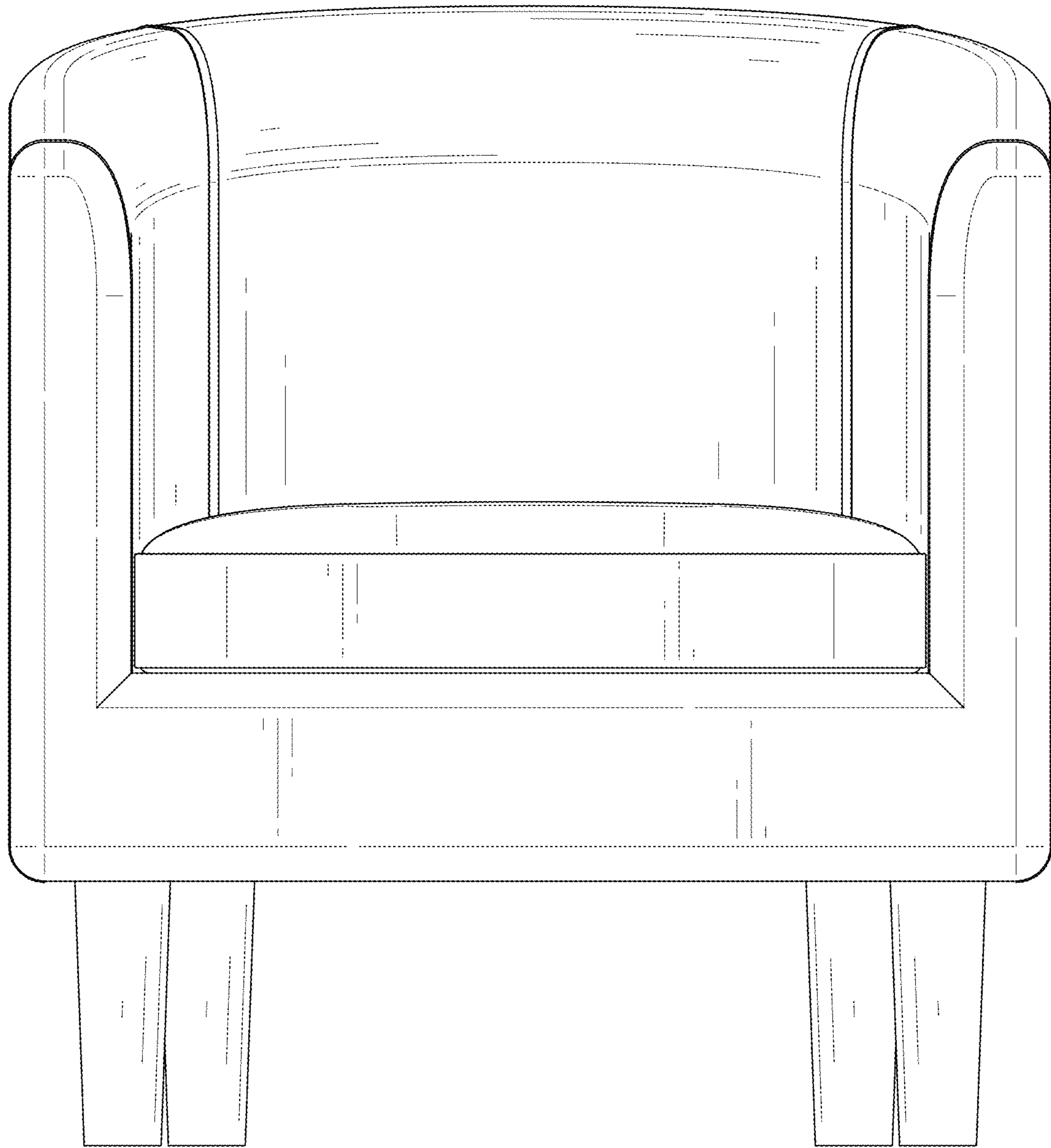


FIG. 3

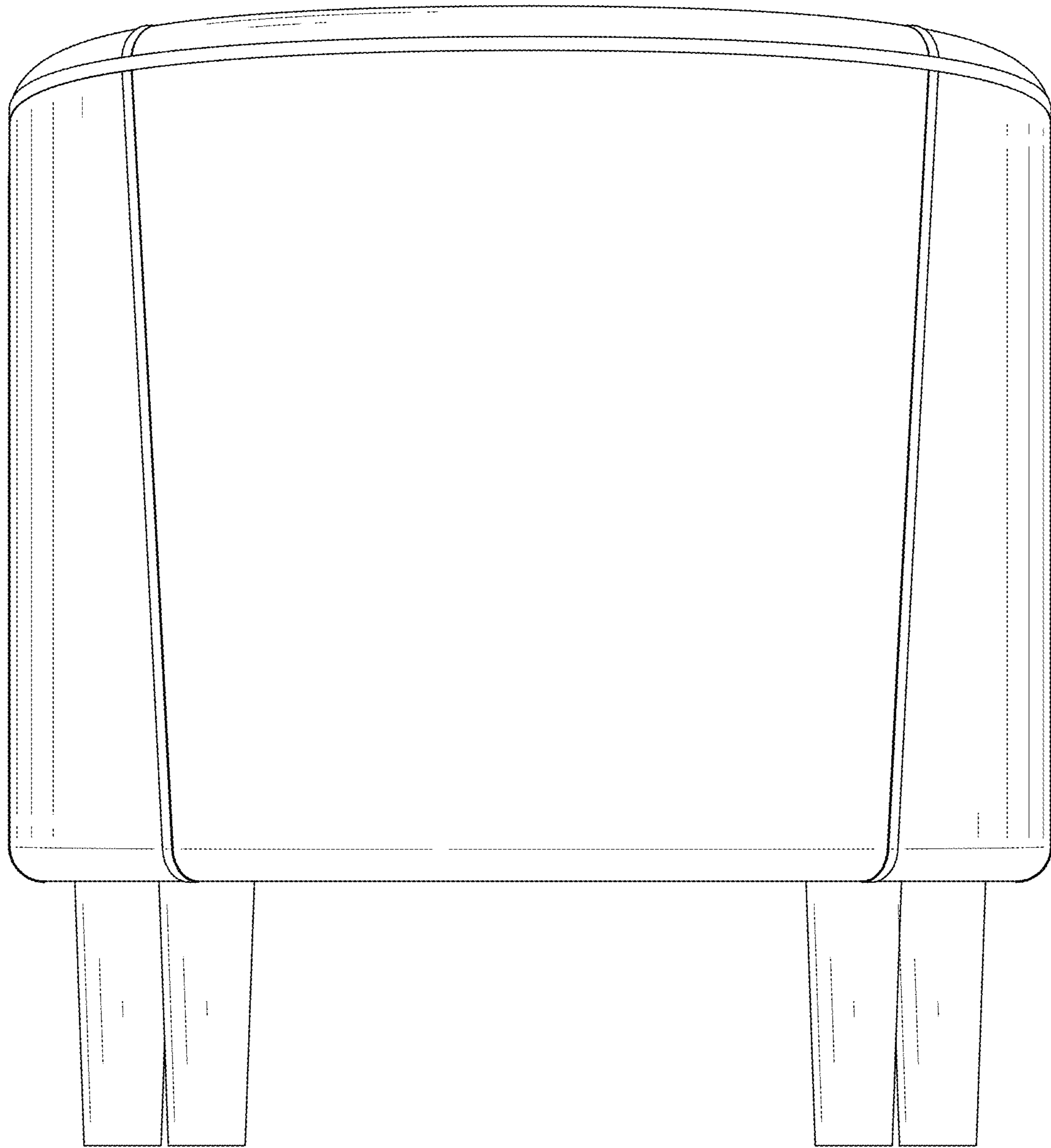


FIG. 4

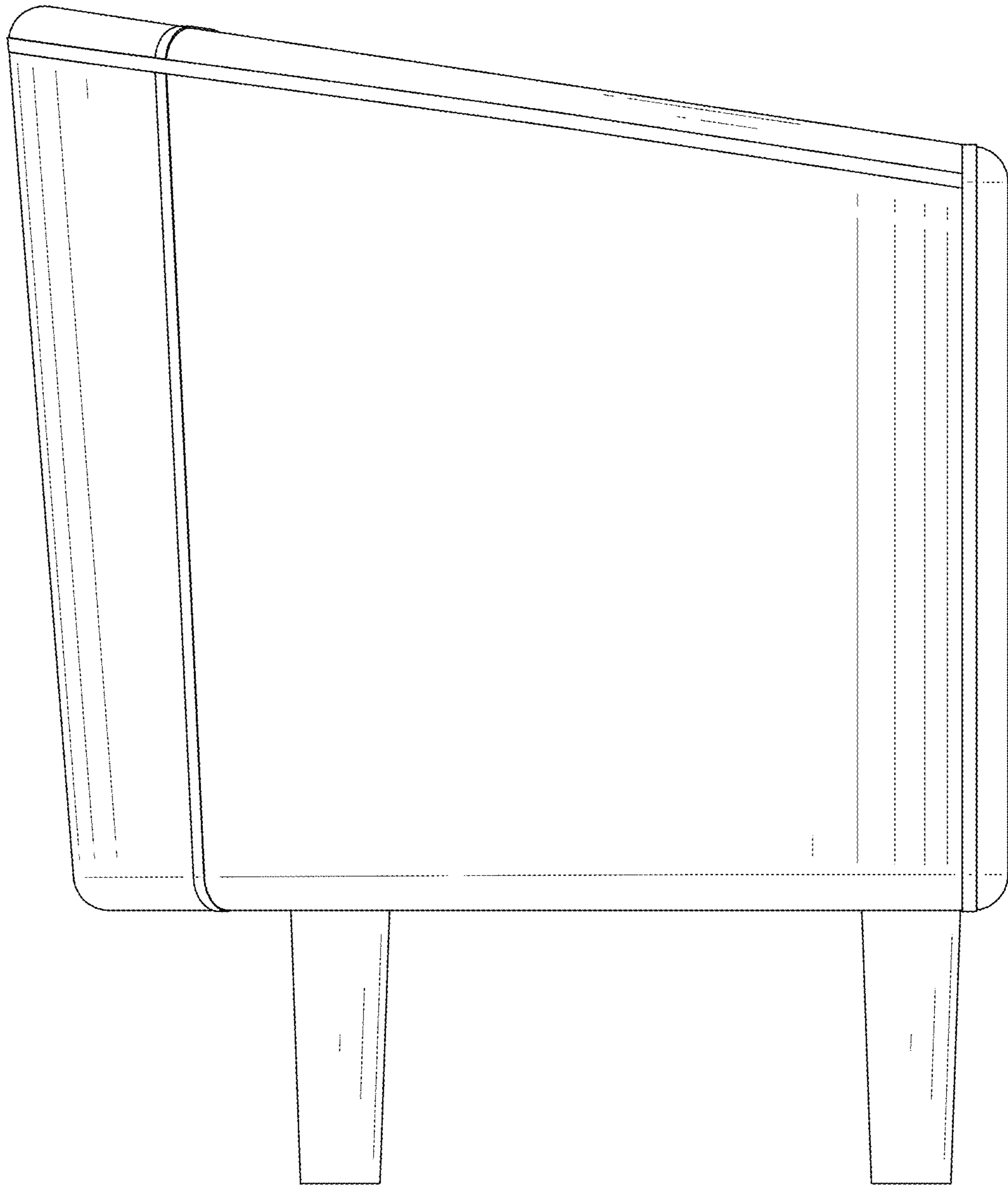


FIG. 5

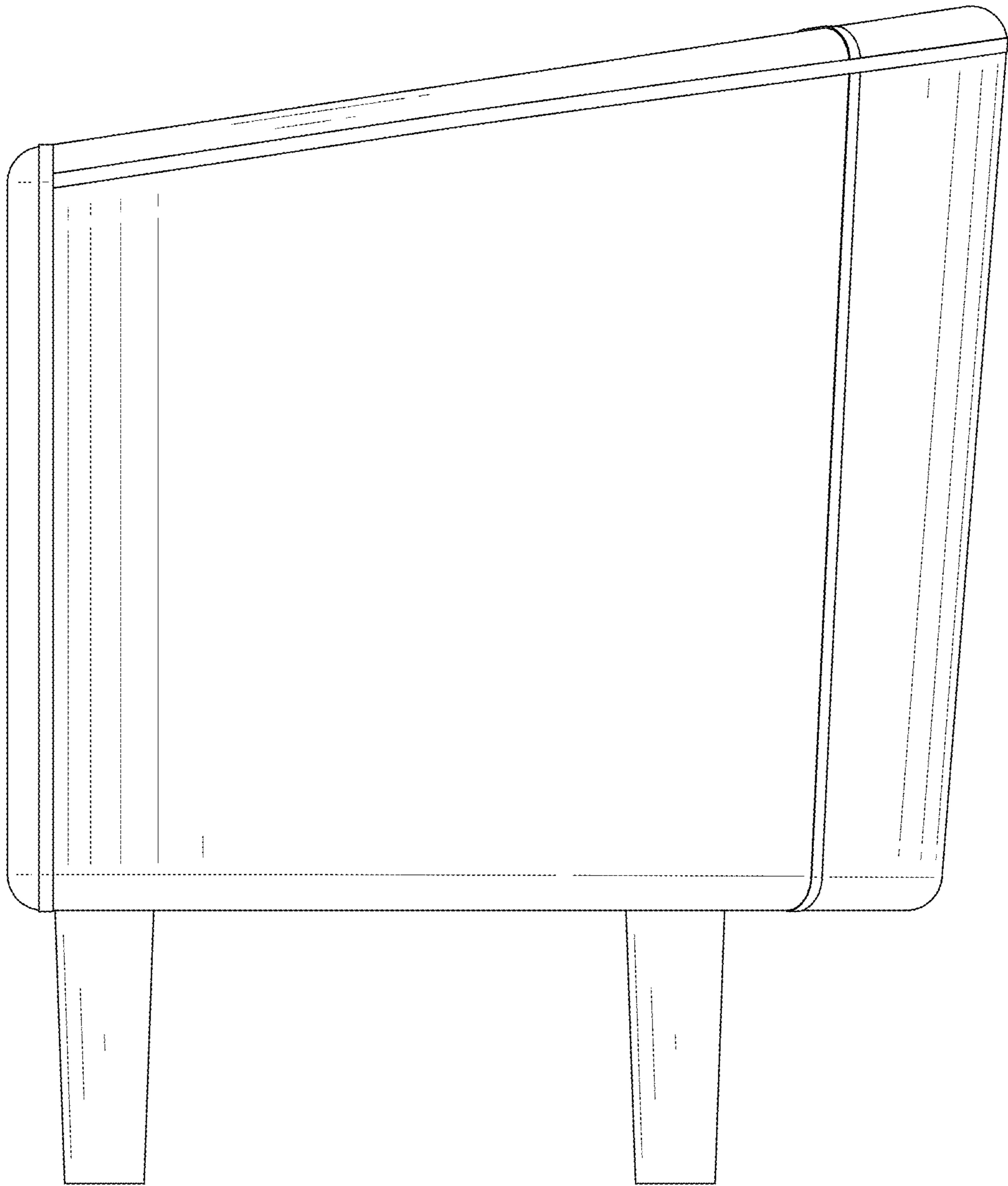


FIG. 6

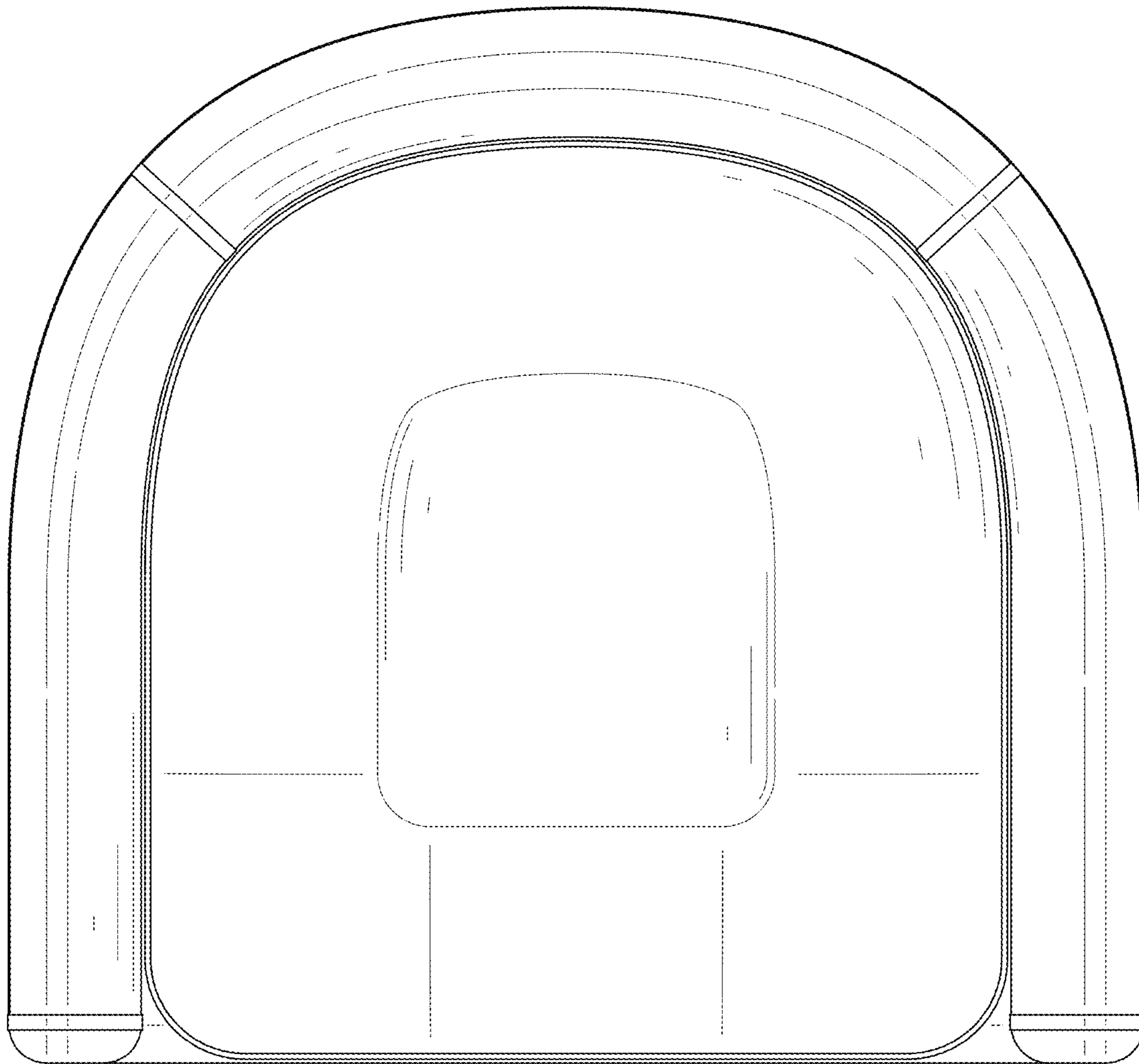


FIG. 7

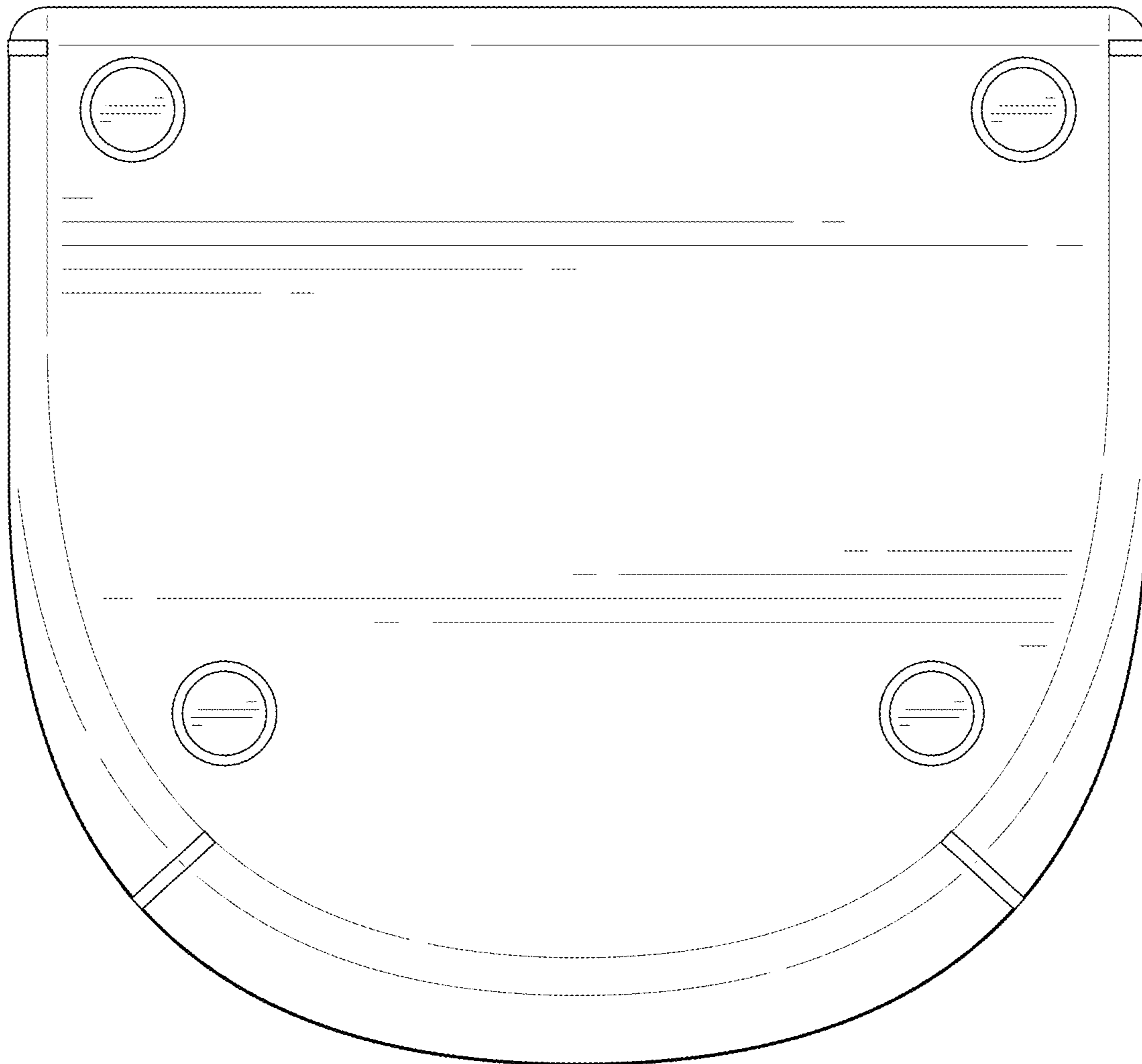


FIG. 8

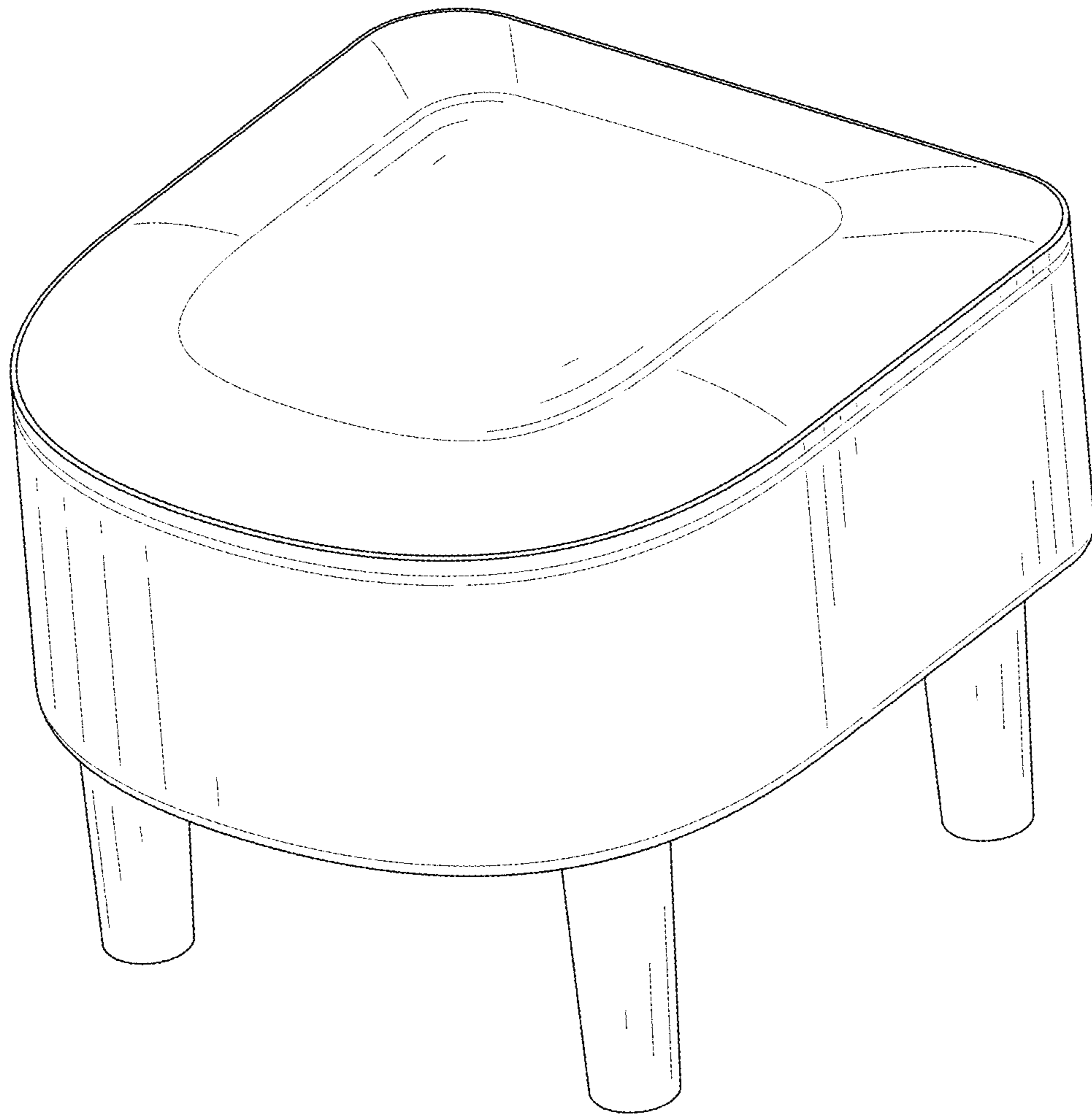


FIG. 9

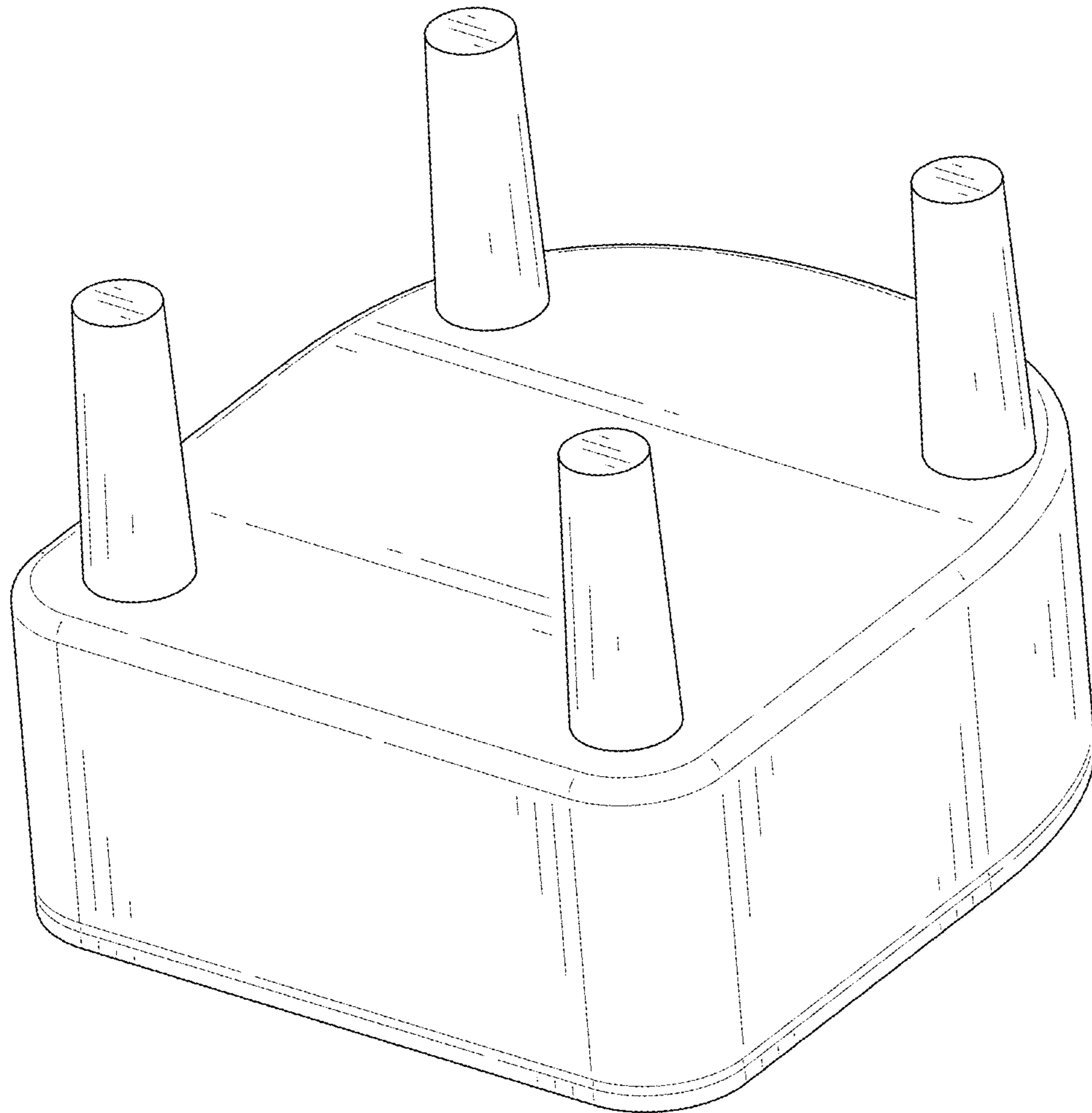


FIG. 10

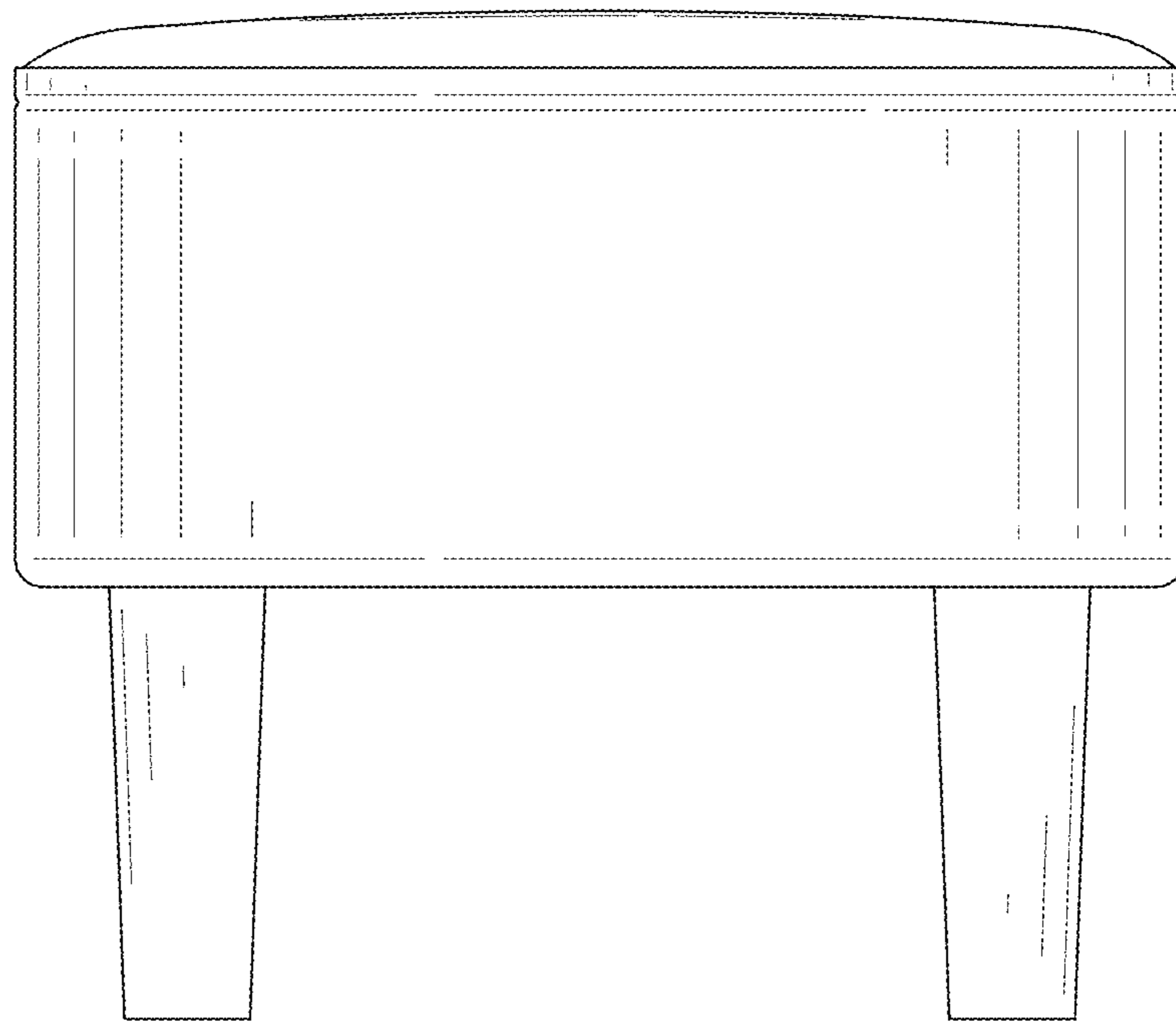


FIG. 11

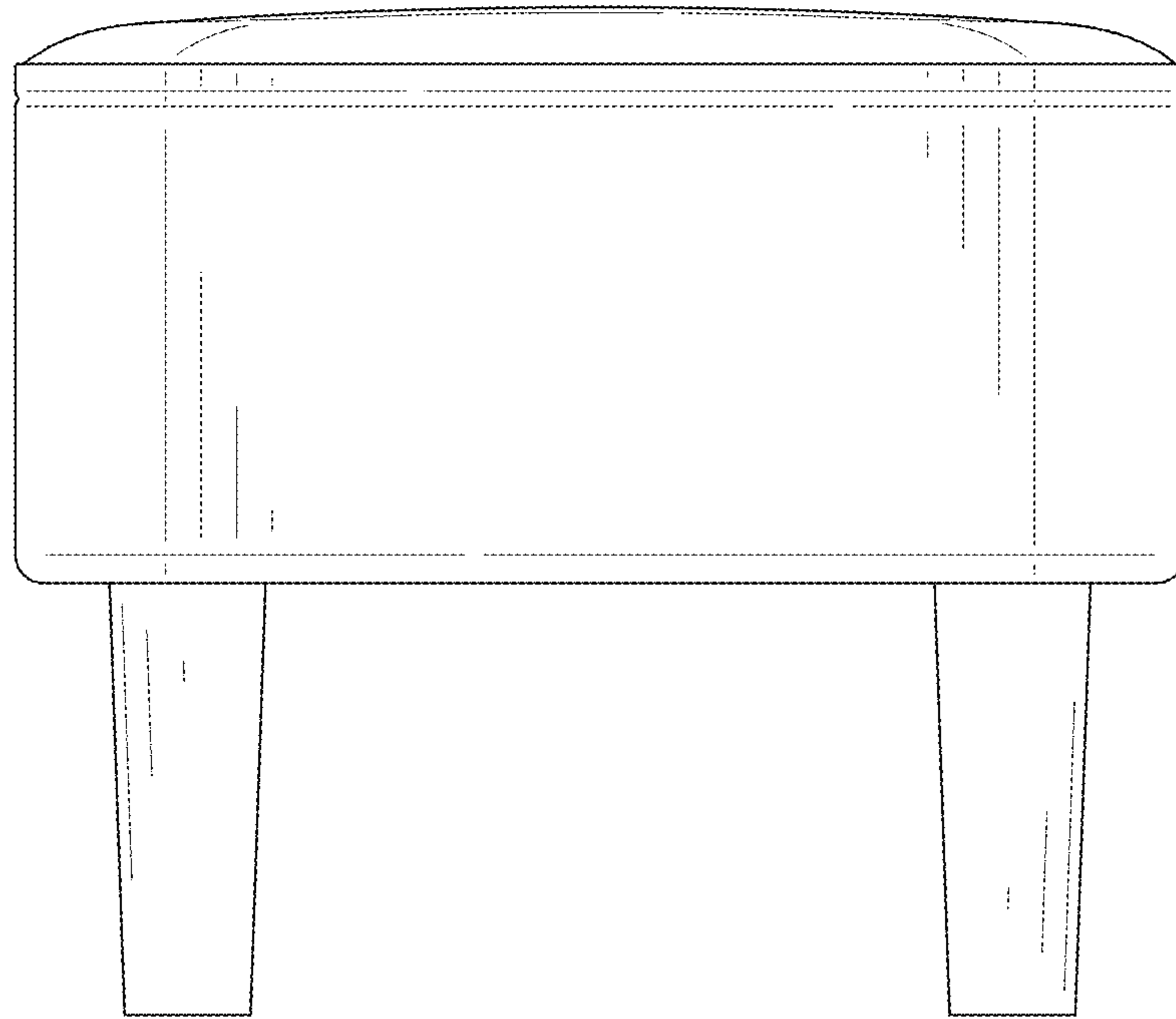


FIG. 12

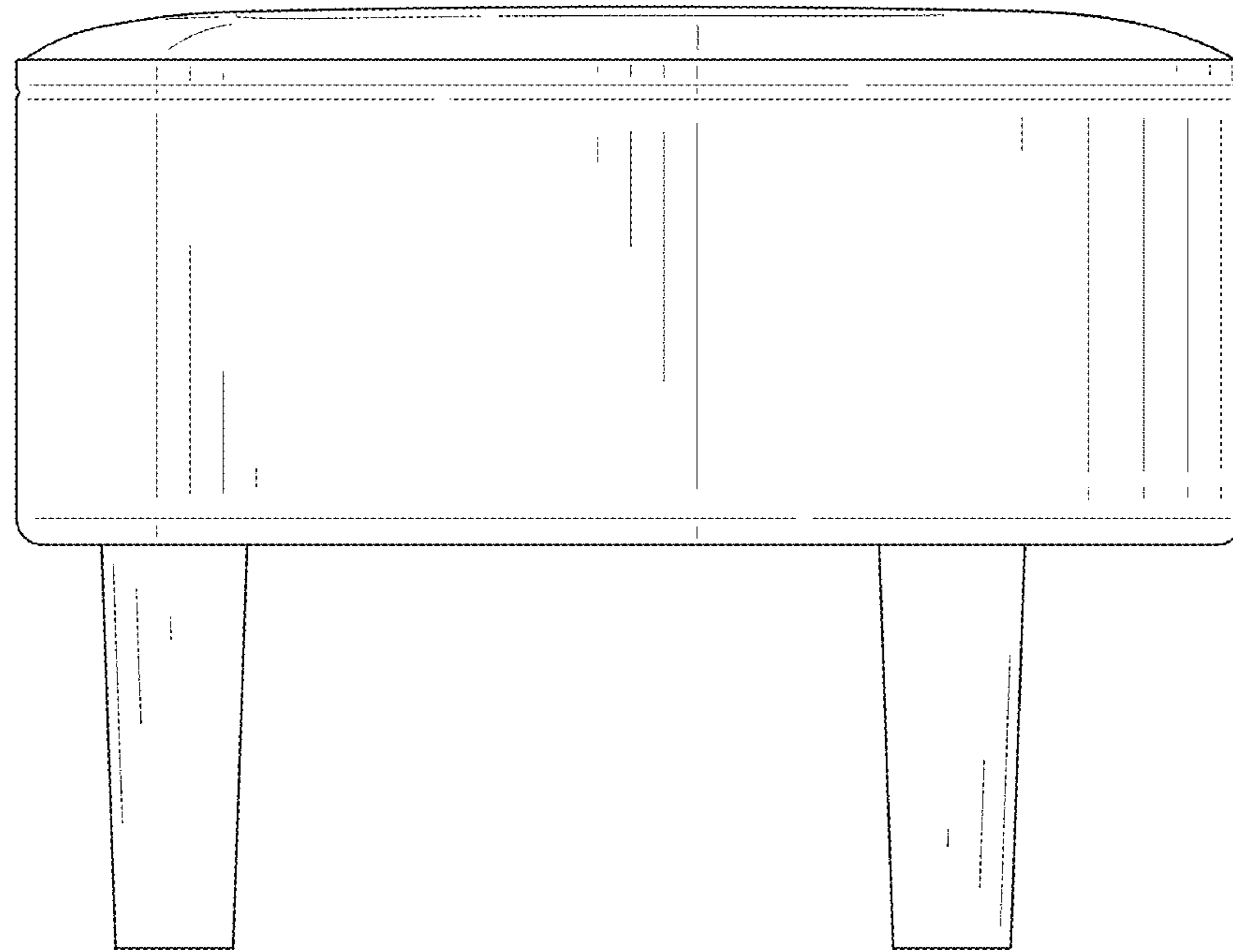


FIG. 13

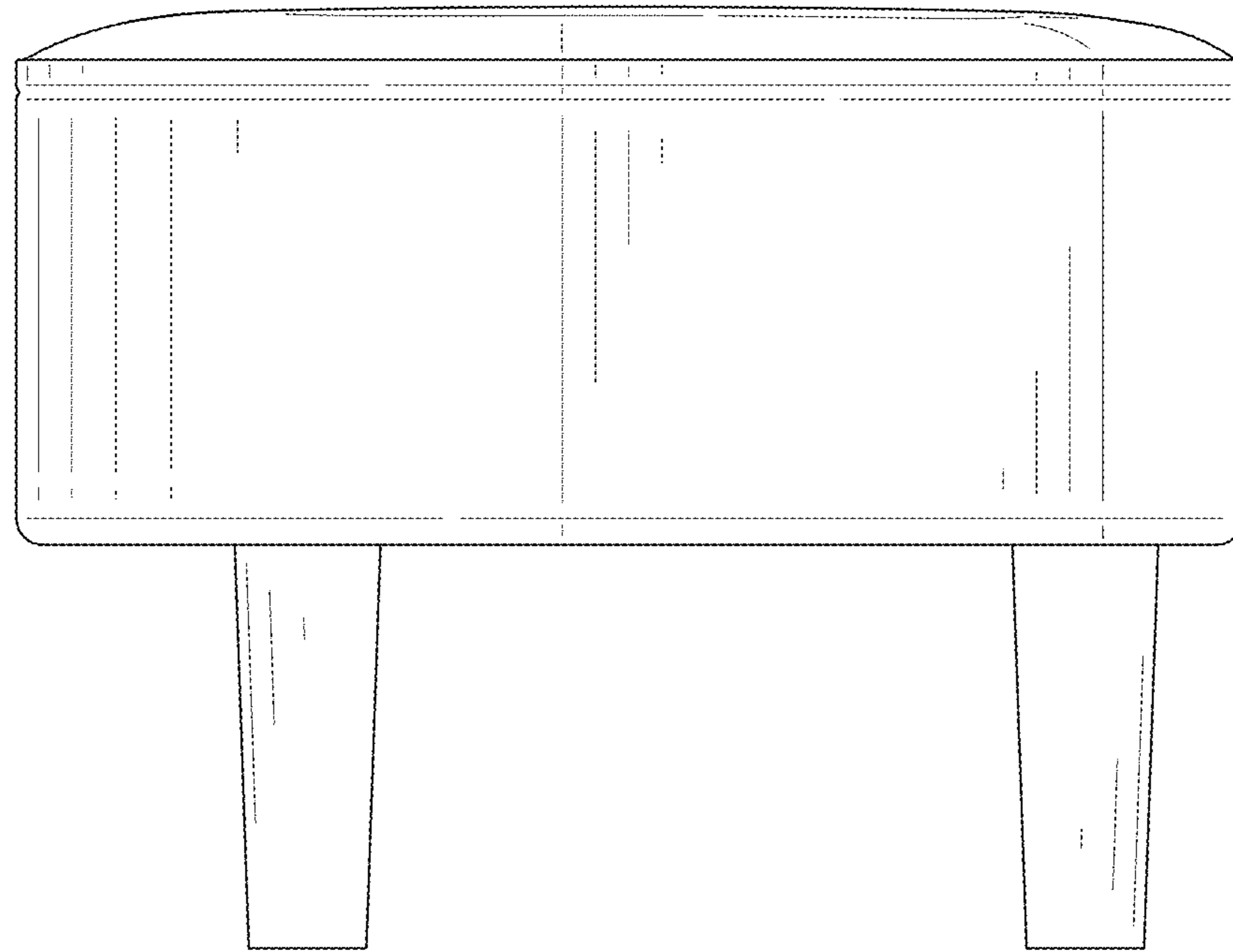


FIG. 14

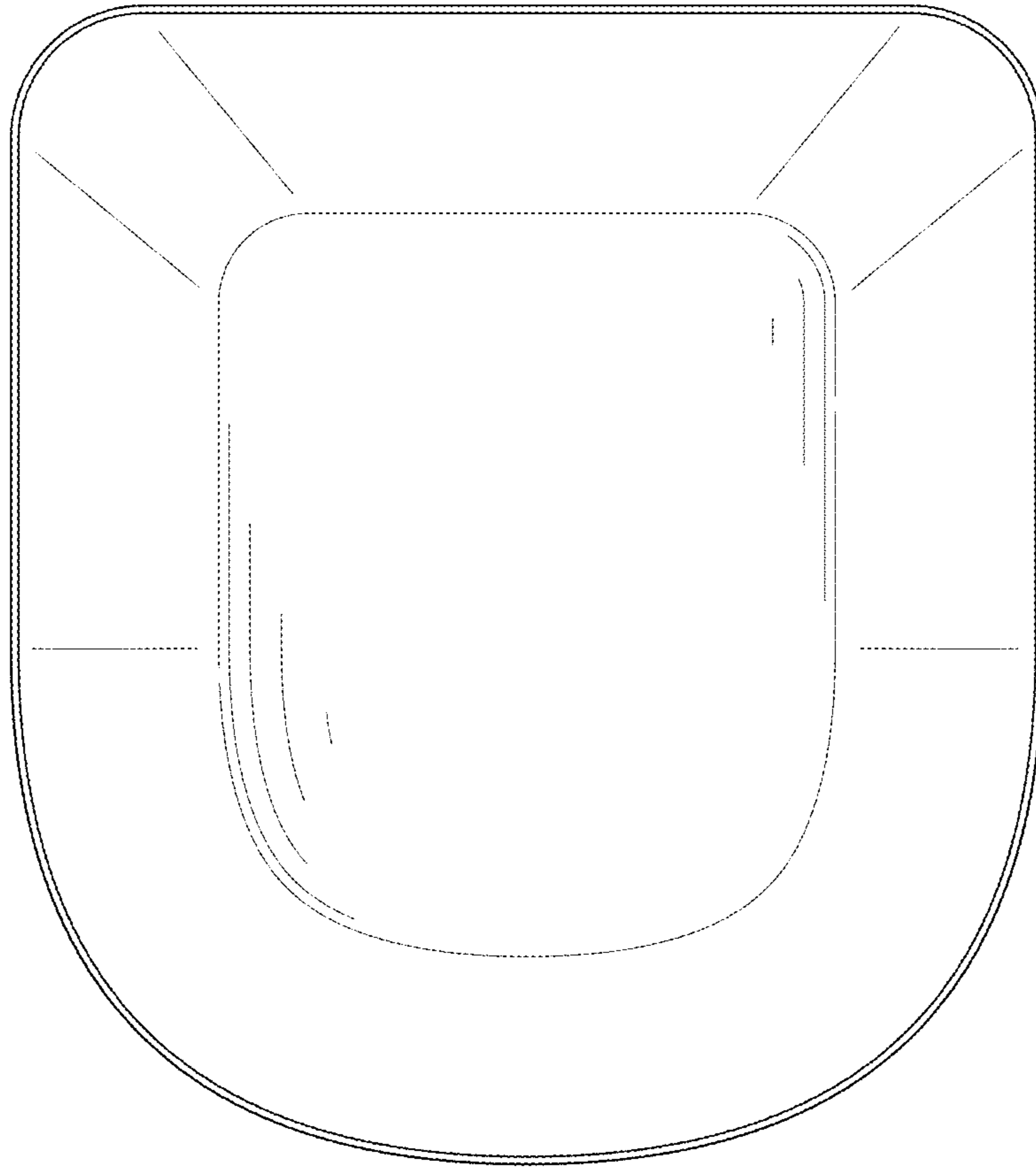


FIG. 15

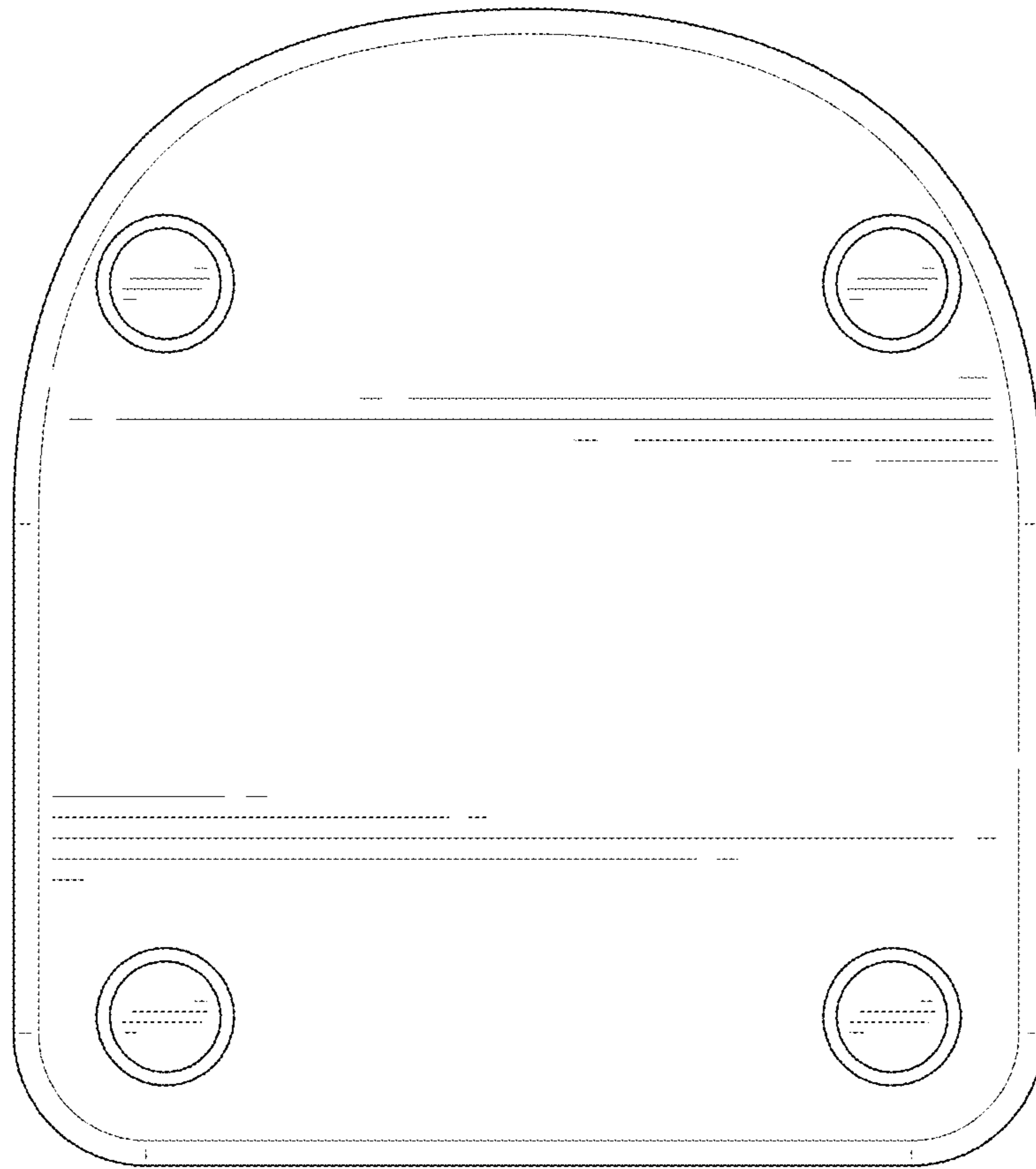


FIG. 16

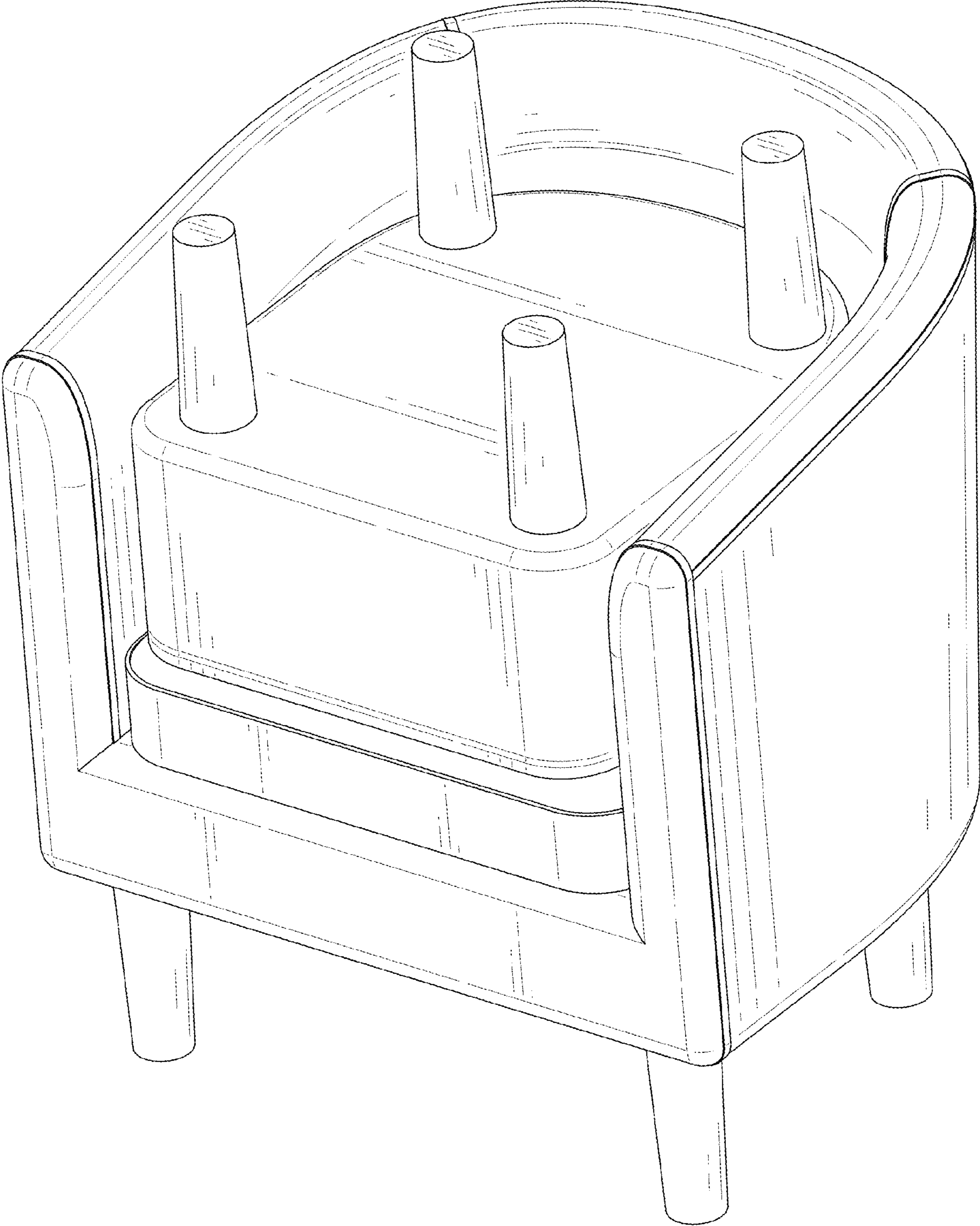


FIG. 17