



US00D946913S

(12) **United States Design Patent** (10) **Patent No.:** **US D946,913 S**  
**Lithgow et al.** (45) **Date of Patent:** **\*\* Mar. 29, 2022**

(54) **CHAIR**

FOREIGN PATENT DOCUMENTS

(71) Applicant: **Dmitriy & Company LLC**, New York, NY (US)

WO D216775-005 \* 10/2021  
WO D216775-006 \* 10/2021

(72) Inventors: **Alexander Lithgow**, New York, NY (US); **Joshua Edward Dycus**, New York, NY (US); **Donata Blekhtser**, New York, NY (US); **Dmitriy Feldman**, New York, NY (US)

OTHER PUBLICATIONS

Dmitriy & Co—Toyen Lounge Chair [online], [site visited Jan. 26, 2022]. Available from internet, URL: <https://www.dmitriyco.com/products/toyen-lounge-chair> (Year: 2022).\*

(Continued)

(73) Assignee: **DMITRIY & COMPANY LLC**, New York, NY (US)

*Primary Examiner* — Cynthia Ramirez  
*Assistant Examiner* — Xavier Marti-Santos

(\*\*) Term: **15 Years**

(74) *Attorney, Agent, or Firm* — Lewis Roca Rothgerber Christie LLP

(21) Appl. No.: **29/763,346**

(57) **CLAIM**

The ornamental design for a chair, as shown and described.

(22) Filed: **Dec. 22, 2020**

**DESCRIPTION**

(51) **LOC (13) Cl.** ..... **06-01**

(52) **U.S. Cl.**  
USPC ..... **D6/334**

(58) **Field of Classification Search**  
USPC ..... D6/334, 335, 336, 349, 360, 361, 369, D6/370, 374, 375, 378, 379, 380, 650, D6/716, 716.1, 716.3  
CPC .... A47C 4/02; A47C 4/03; A47C 3/12; A47C 5/04; A47C 5/12; A47C 4/024; A47C 4/028; A47C 7/54; A47C 1/00; A47C 3/38; A47C 7/006; A47C 13/00; A47C 15/00

FIG. 1 is a front right perspective view of a first embodiment of a chair showing our new design;  
FIG. 2 is a rear right perspective view thereof;  
FIG. 3 is a front elevation view thereof;  
FIG. 4 is a rear elevation view thereof;  
FIG. 5 is a right side elevation view thereof, the left side view being a mirror image;  
FIG. 6 is a top plan view thereof;  
FIG. 7 is a front right perspective view of a second embodiment of a chair showing our new design;  
FIG. 8 is a rear right perspective view thereof;  
FIG. 9 is a front elevation view thereof;  
FIG. 10 is a rear elevation view thereof;  
FIG. 11 is a right side elevation view thereof, the left side view being a mirror image; and,  
FIG. 12 is a top plan view thereof.

See application file for complete search history.

The chair is shown in FIGS. 7-12 with a symbolic break in its length. The appearance of any portion of the article between the break lines forms no part of the claimed design.

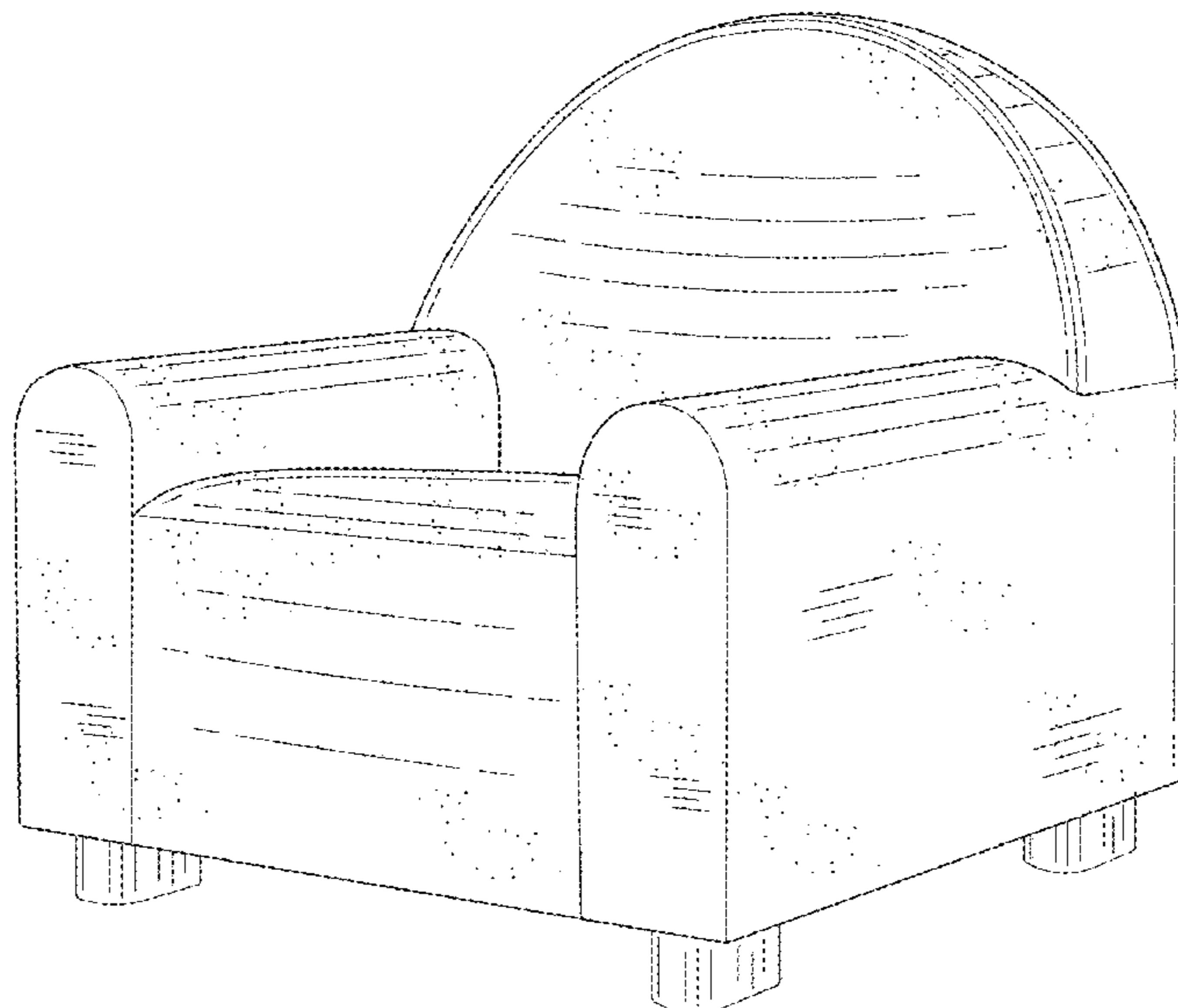
(56) **References Cited**

U.S. PATENT DOCUMENTS

D320,895 S \* 10/1991 Frinier ..... D6/373  
D380,908 S \* 7/1997 Gleason ..... D6/334  
D436,747 S \* 1/2001 Wiley ..... D6/334  
D447,639 S \* 9/2001 Carlson ..... D6/335

(Continued)

**1 Claim, 8 Drawing Sheets**



(56)

**References Cited**

U.S. PATENT DOCUMENTS

D521,255	S	*	5/2006	Boutin	.....	D6/334
D521,749	S	*	5/2006	Auberger	.....	D6/334
D546,571	S	*	7/2007	Ricci	.....	D6/334
D627,172	S	*	11/2010	LaRoche	.....	D6/333
D724,858	S	*	3/2015	Lee	.....	D6/371
D862,095	S	*	10/2019	Young	.....	D6/334
D876,114	S	*	2/2020	Glaser	.....	D6/369

OTHER PUBLICATIONS

Dmitriy & Co on Instagram post [online], [site visited Jan. 26, 2022]. Available from internet, URL: <<https://www.instagram.com/p/B9jimtCJd-8/?igshid=1b7r0y4vdneve&hl=en>> (Year: 2020).\*

\* cited by examiner

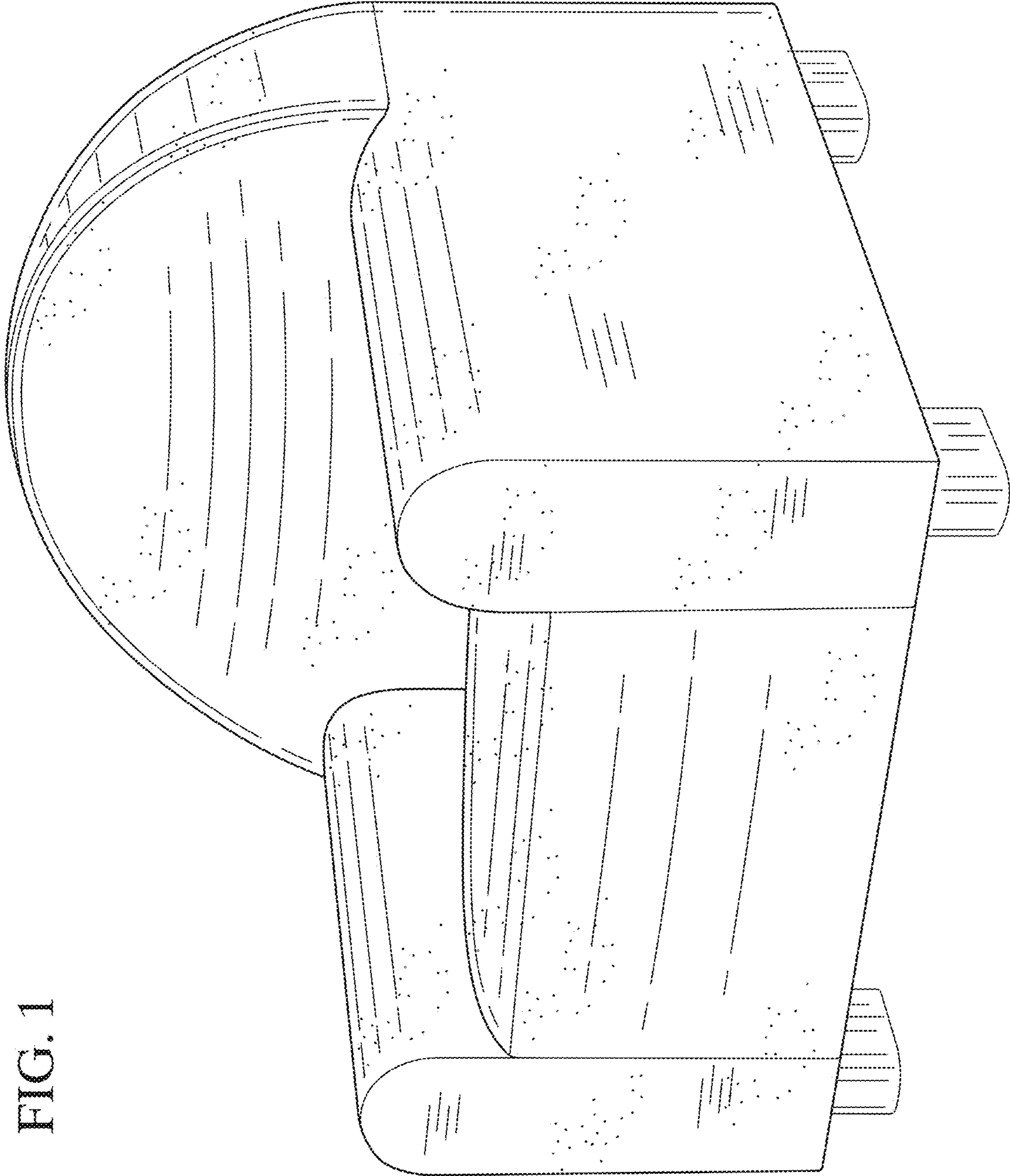


FIG. 1

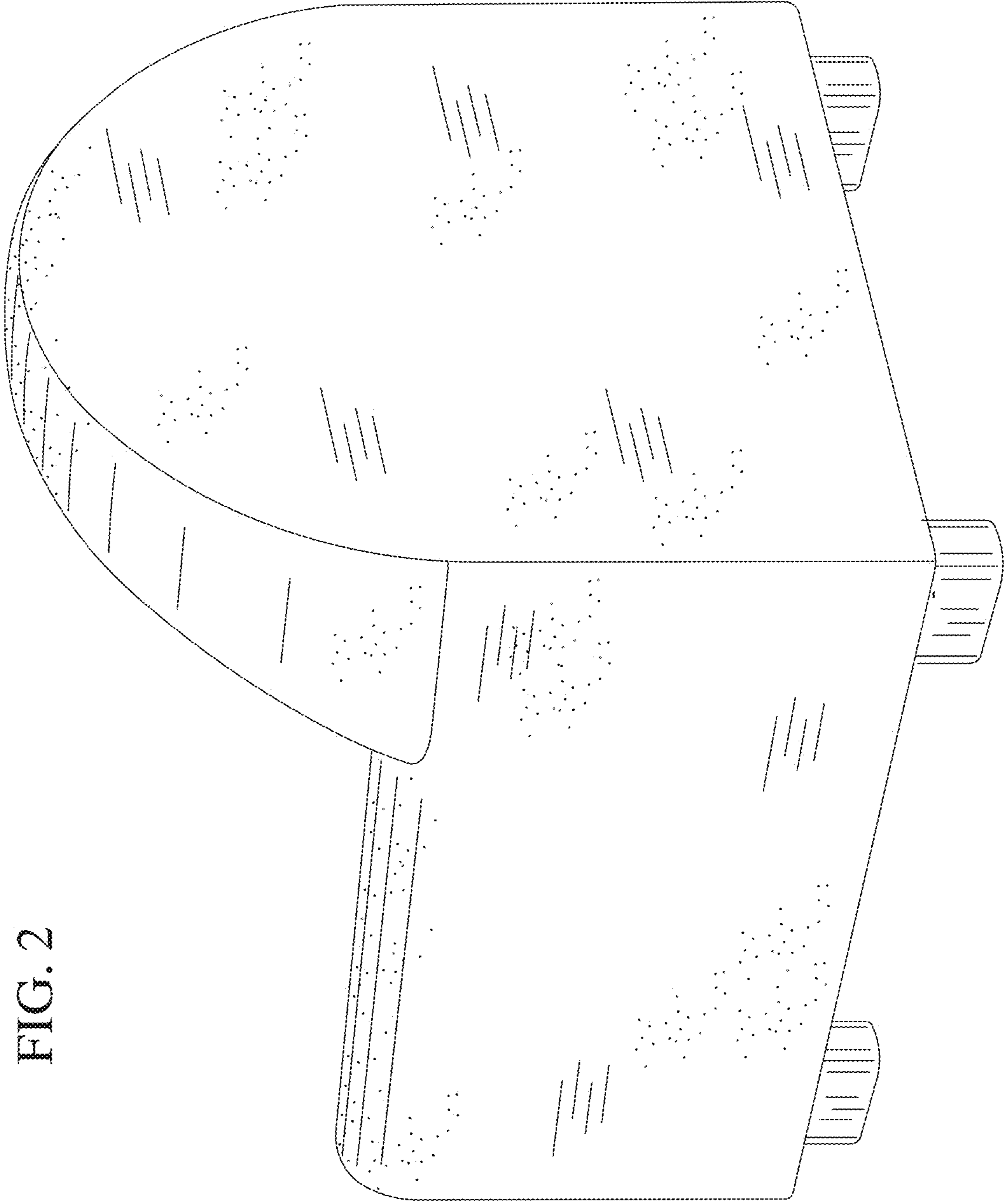


FIG. 2

FIG. 4

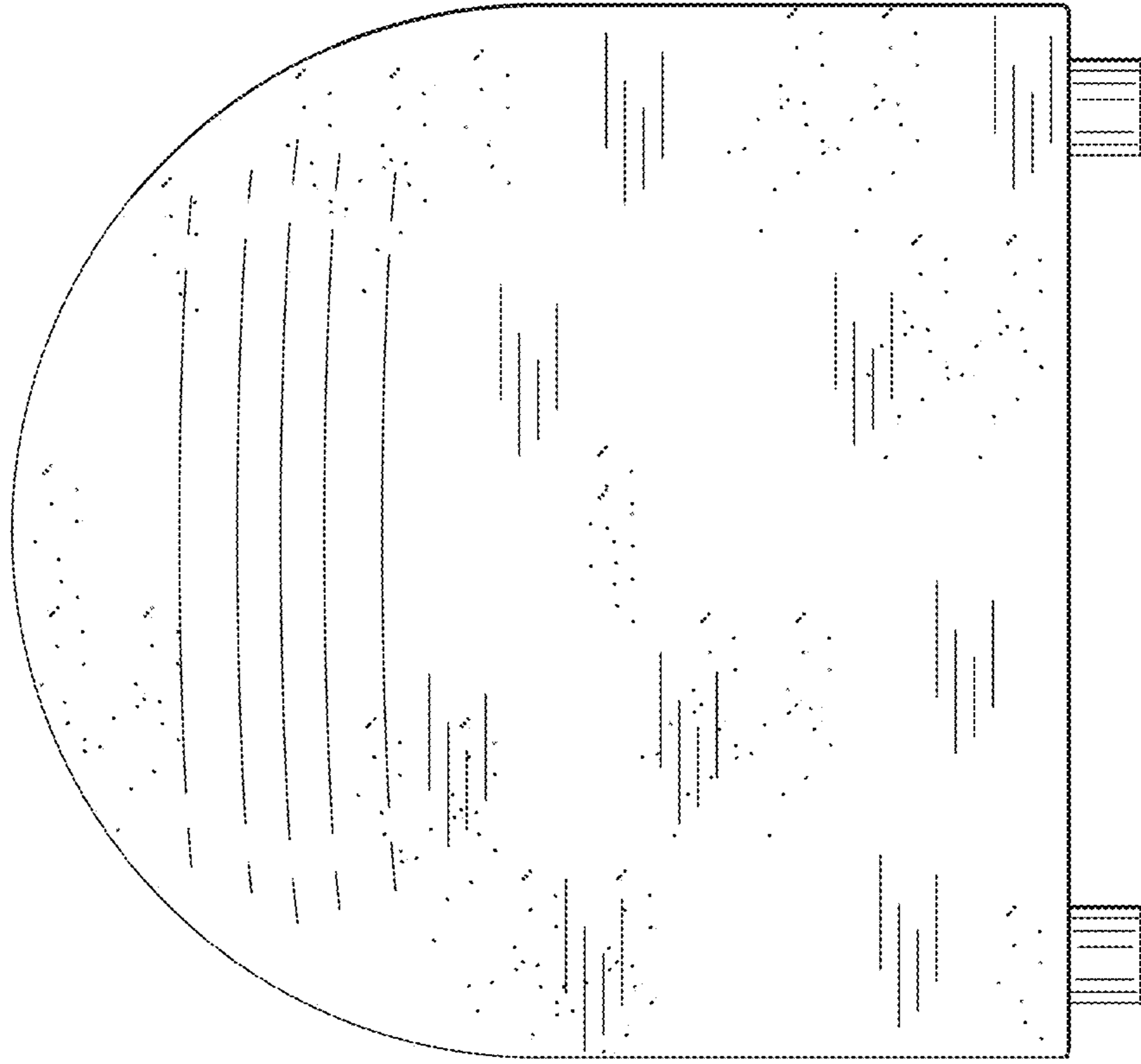


FIG. 3

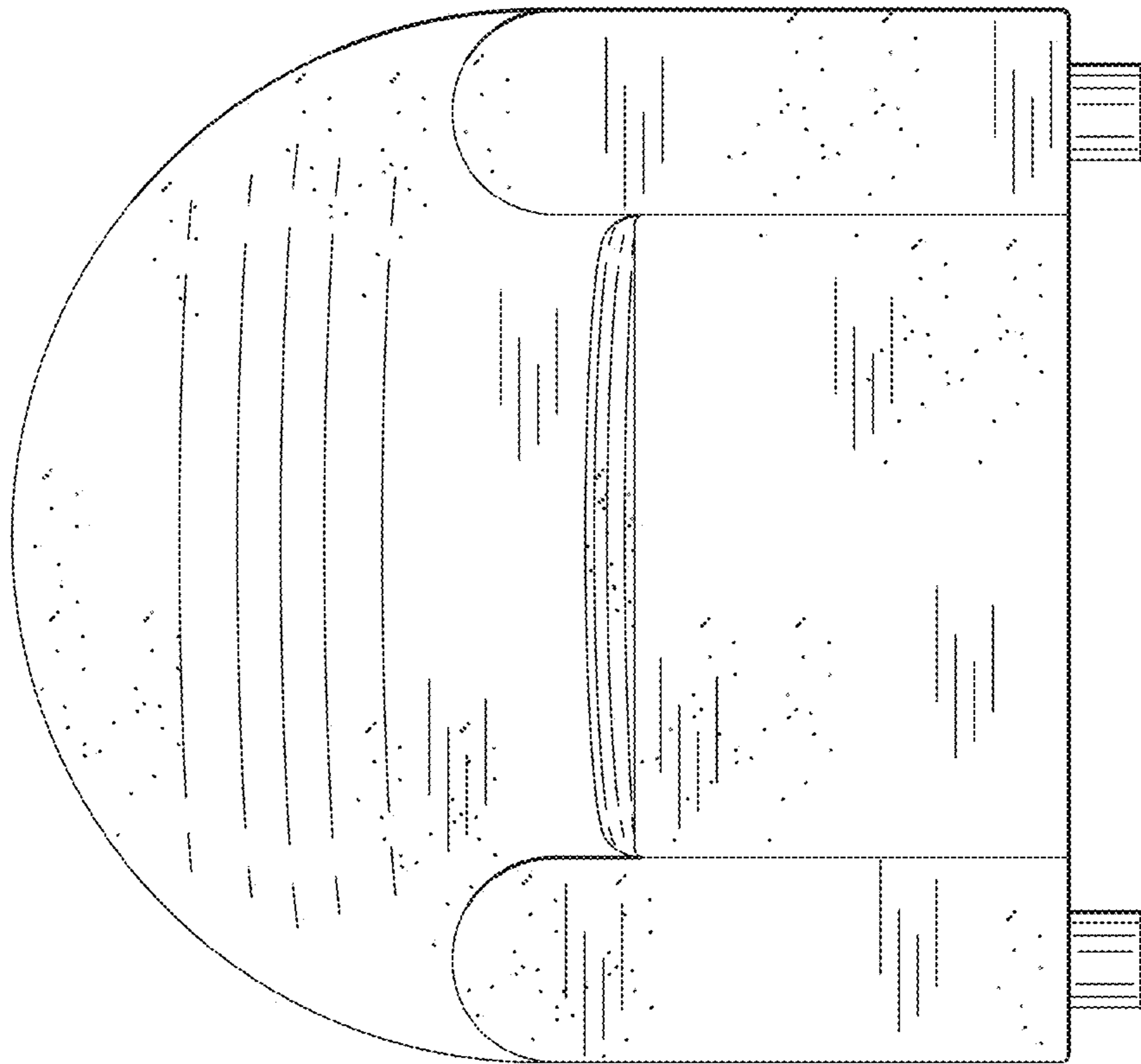


FIG. 6

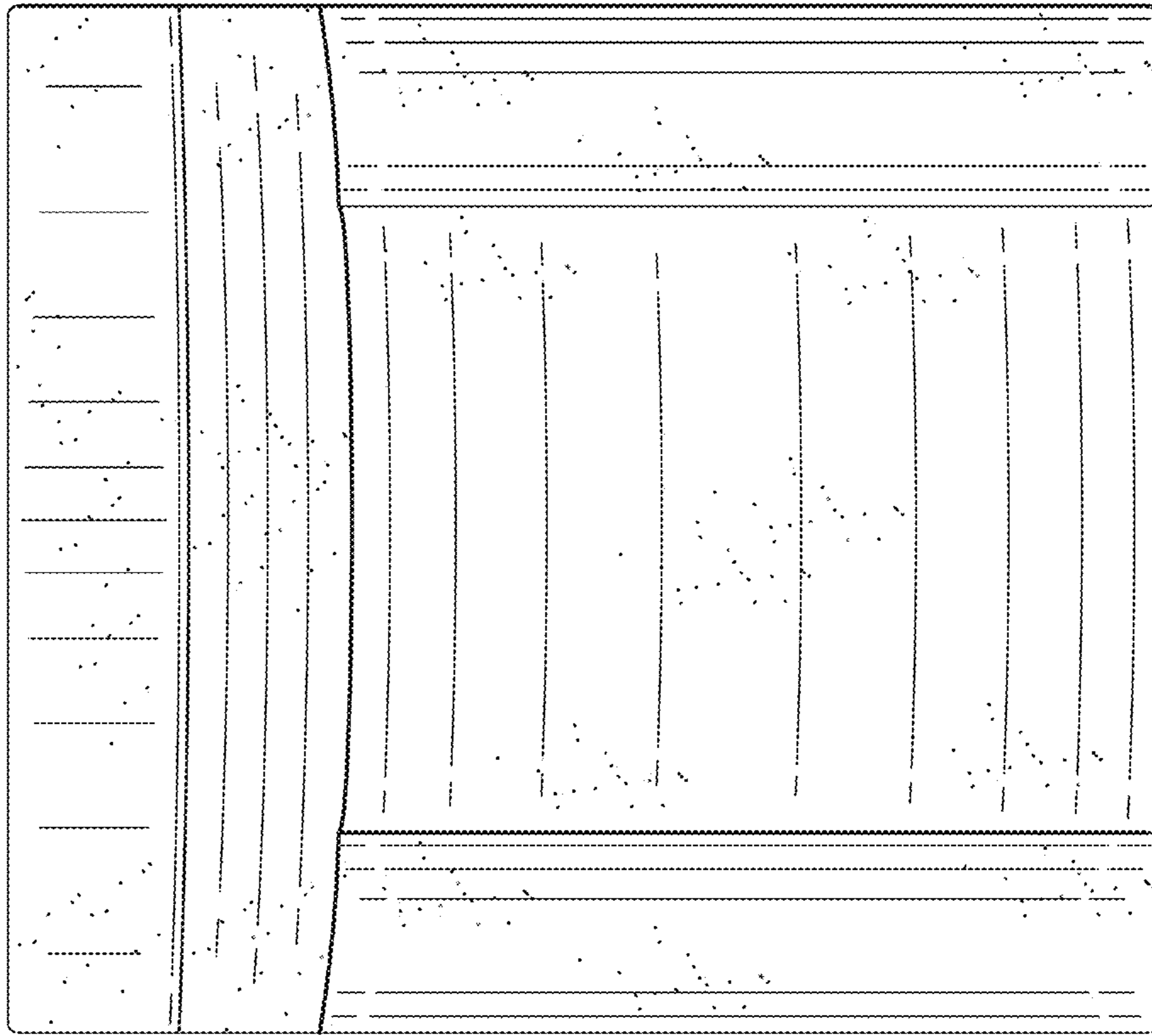
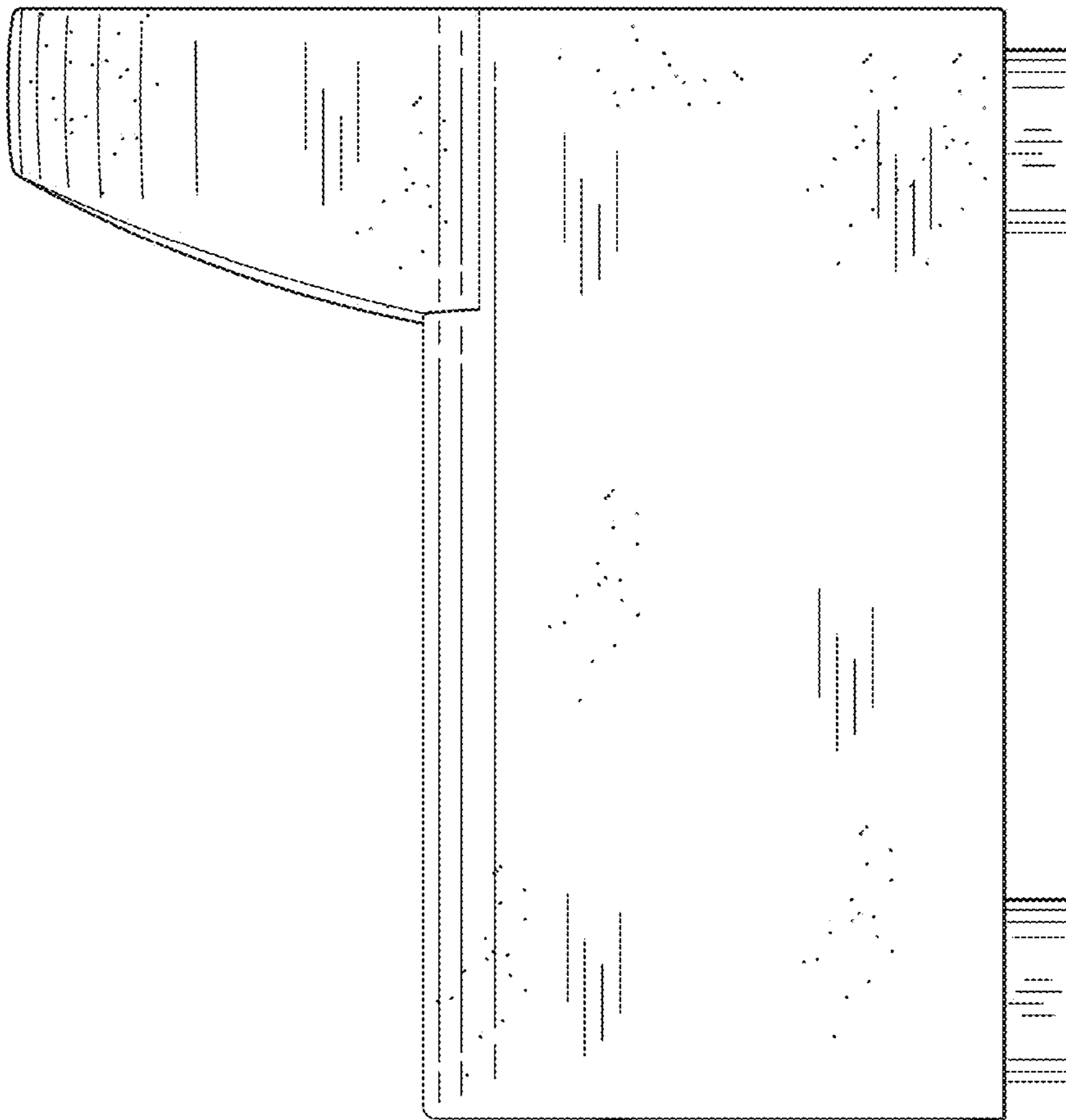


FIG. 5



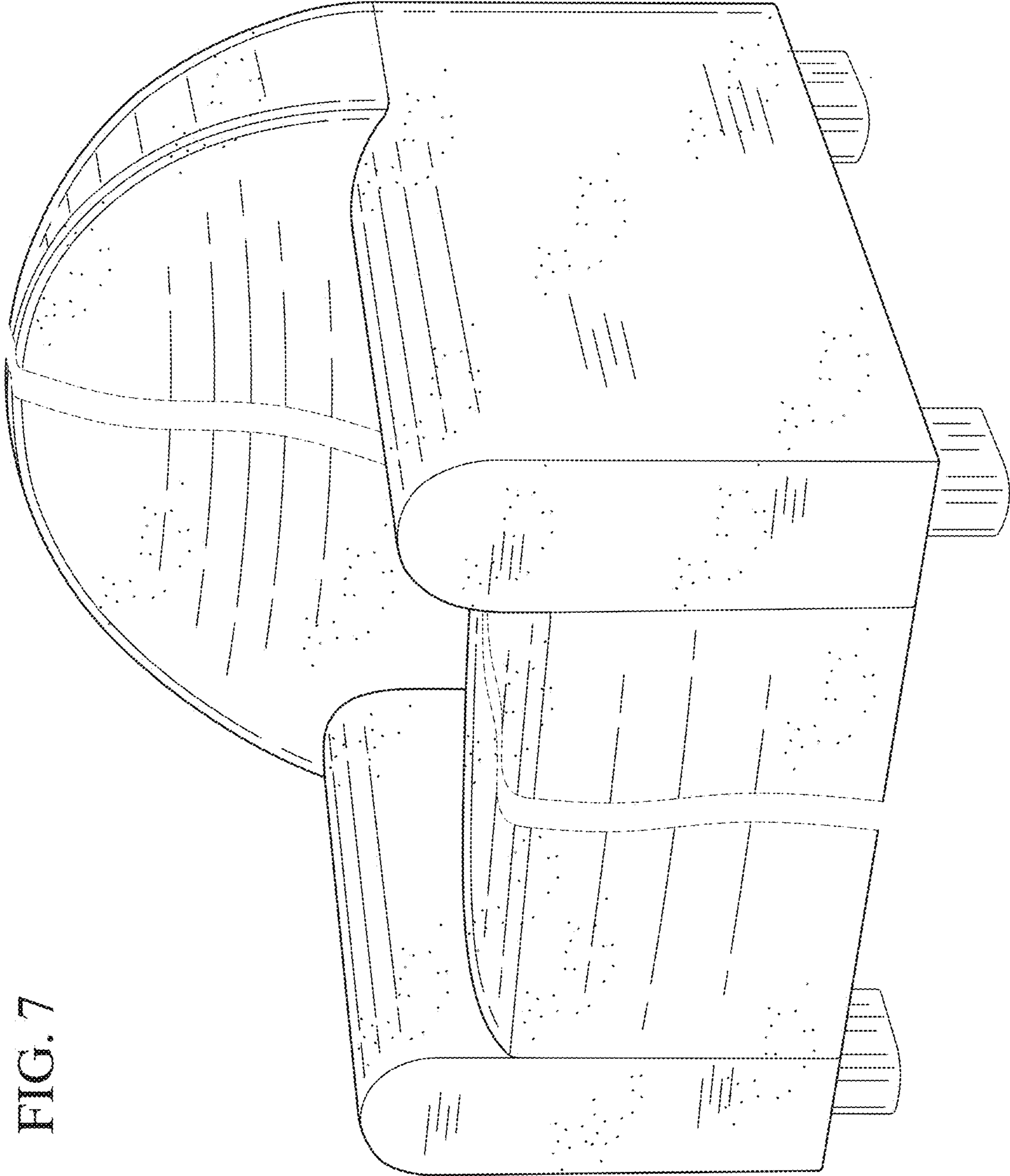


FIG. 7

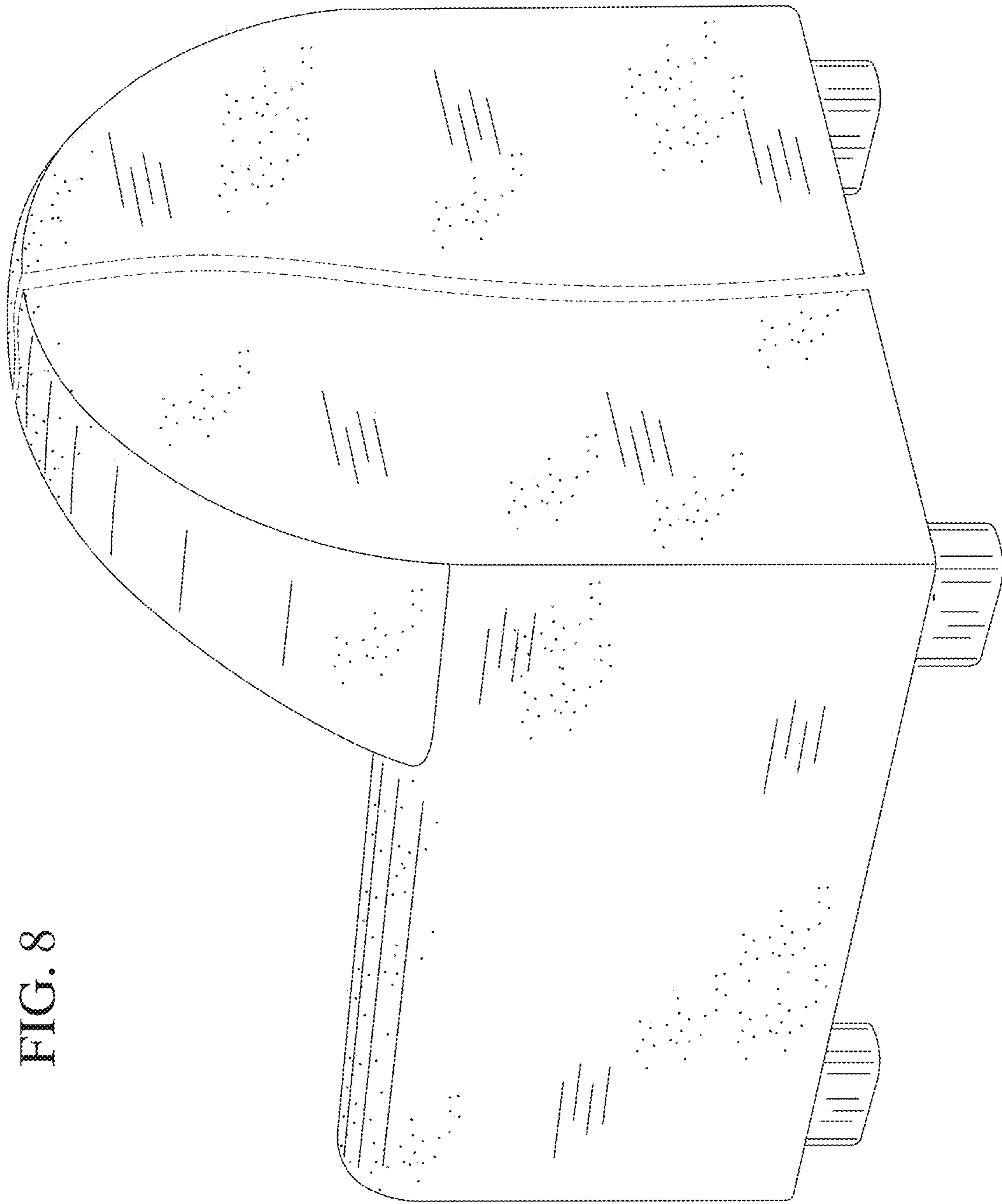


FIG. 8



FIG. 10

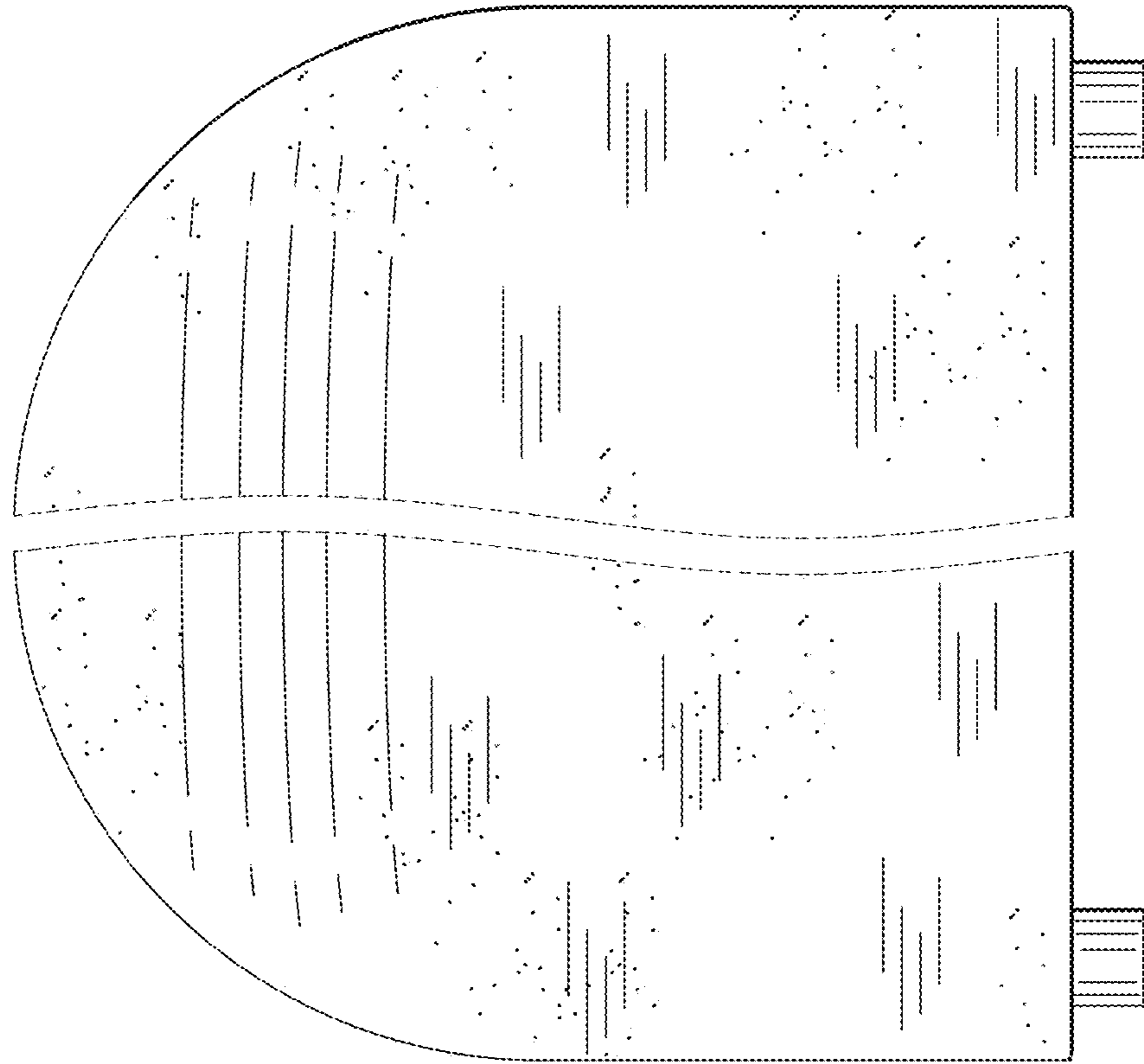


FIG. 9

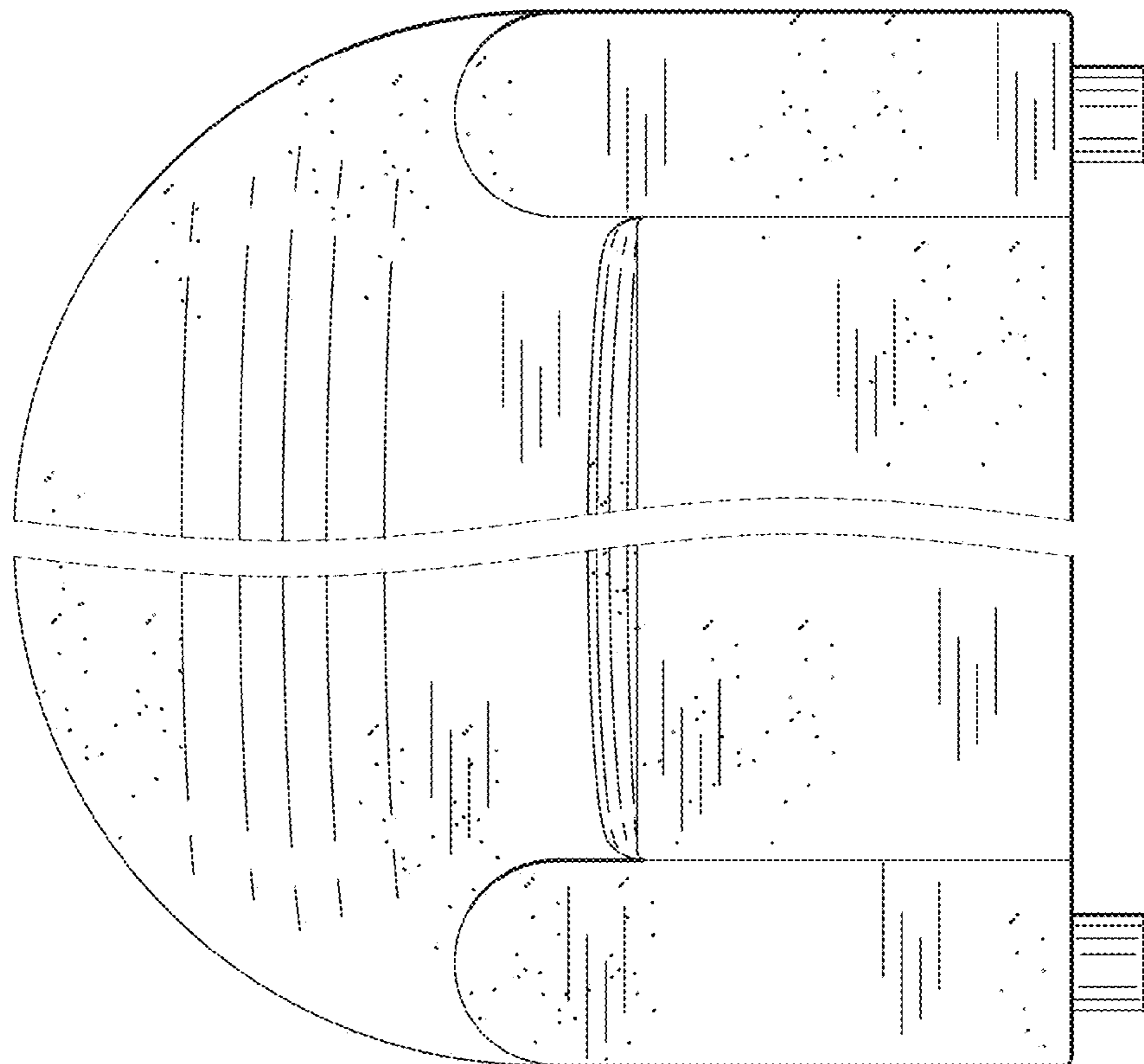


FIG. 12

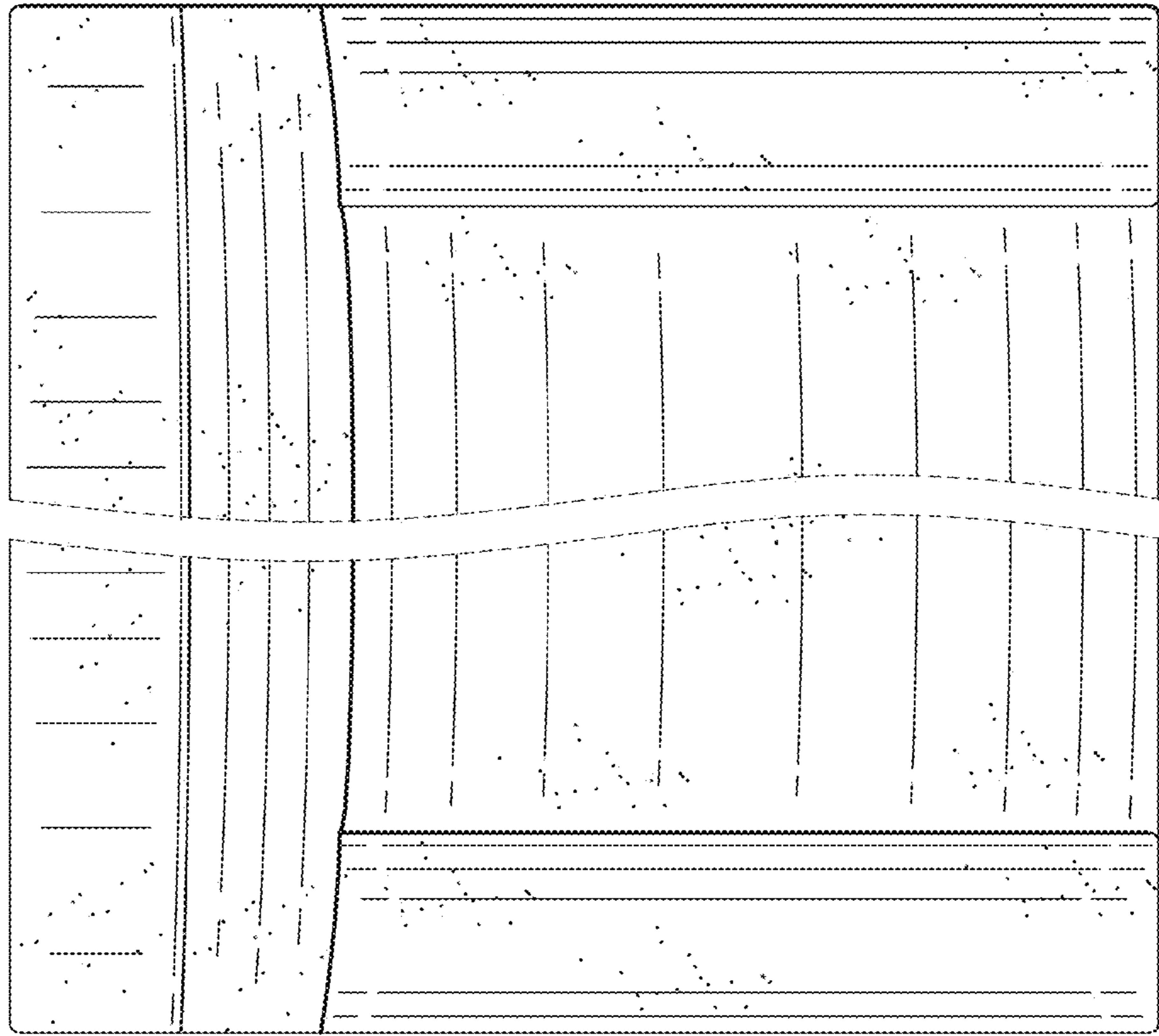


FIG. 11

