



US00D946912S

(12) **United States Design Patent**
Wu

(10) **Patent No.:** **US D946,912 S**
(45) **Date of Patent:** **** Mar. 29, 2022**

(54) **PLAY YARD**

(71) Applicant: **Zuoxing Wu**, Shouning (CN)

(72) Inventor: **Zuoxing Wu**, Shouning (CN)

(**) Term: **15 Years**

(21) Appl. No.: **29/741,349**

(22) Filed: **Jul. 12, 2020**

(51) **LOC (13) Cl.** **06-06**

(52) **U.S. Cl.**
USPC **D6/331**

(58) **Field of Classification Search**
USPC D6/331, 389, 718; D21/814, 834, 838;
D25/38.1, 39, 48.4, 48.5, 48.8; D30/119

(Continued)

(56) **References Cited**

U.S. PATENT DOCUMENTS

2,784,420 A * 3/1957 Moltane A47D 13/066
5/98.1
2,895,717 A * 7/1959 De Falco A47D 13/065
256/25

(Continued)

FOREIGN PATENT DOCUMENTS

EM 008522684-0001 * 5/2021

Primary Examiner — Leanne Was-Englehart

(57) **CLAIM**

The ornamental design for a play yard, as shown and described.

DESCRIPTION

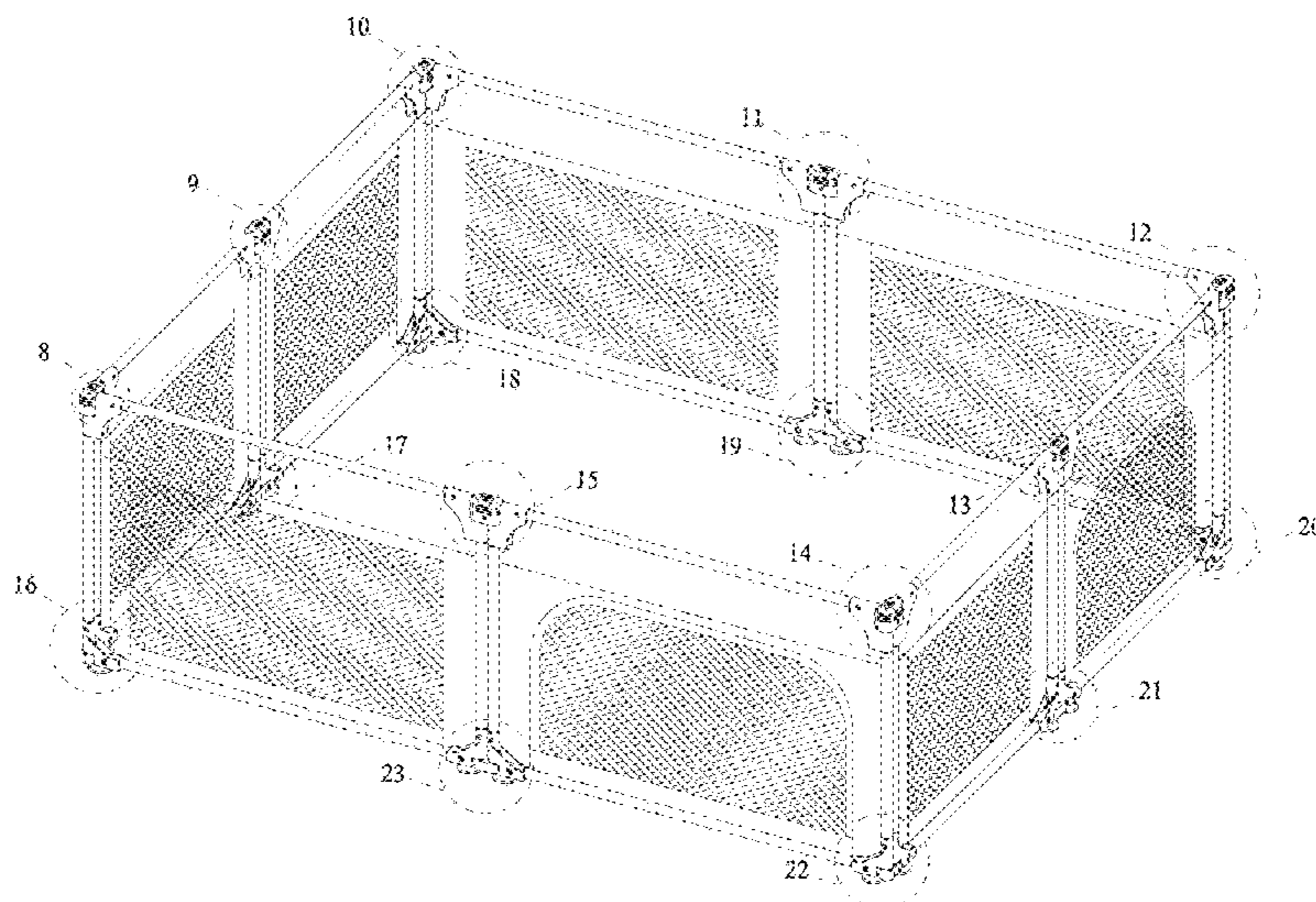
FIG. 1 is a perspective view of a play yard showing the claimed design;

FIG. 2 is a front elevational view thereof;

FIG. 3 is a rear elevational view thereof;
FIG. 4 is a left side elevational view thereof;
FIG. 5 is a right side elevational view thereof;
FIG. 6 is a top plan view thereof;
FIG. 7 is a bottom plan view thereof;
FIG. 8 is an enlarged view of area 8 circumscribed in FIG. 1;
FIG. 9 is an enlarged view of area 9 circumscribed in FIG. 1;
FIG. 10 is an enlarged view of area 10 circumscribed in FIG. 1;
FIG. 11 is an enlarged view of area 11 circumscribed in FIG. 1;
FIG. 12 is an enlarged view of area 12 circumscribed in FIG. 1;
FIG. 13 is an enlarged view of area 13 circumscribed in FIG. 1;
FIG. 14 is an enlarged view of area 14 circumscribed in FIG. 1;
FIG. 15 is an enlarged view of area 15 circumscribed in FIG. 1;
FIG. 16 is an enlarged view of area 16 circumscribed in FIG. 1;
FIG. 17 is an enlarged view of area 17 circumscribed in FIG. 1;
FIG. 18 is an enlarged view of area 18 circumscribed in FIG. 1;
FIG. 19 is an enlarged view of area 19 circumscribed in FIG. 1;
FIG. 20 is an enlarged view of area 20 circumscribed in FIG. 1;
FIG. 21 is an enlarged view of area 21 circumscribed in FIG. 1;
FIG. 22 is an enlarged view of area 22 circumscribed in FIG. 1; and,
FIG. 23 is an enlarged view of area 23 circumscribed in FIG. 1.

The broken lines in FIG. 1 and FIGS. 8-23 are for the purpose of depicting the boundary lines of the enlarged view and form no part of the claimed design.

1 Claim, 23 Drawing Sheets



(58) **Field of Classification Search**

CPC A47D 13/06; A47D 13/063; A47D 13/065;
A47D 13/066; Y10T 292/1028; Y10T
292/42; E04H 15/006; E04H 15/44; E04H
15/54; E04H 1/1205; A63H 33/008; E04B
2001/0092

See application file for complete search history.

(56) **References Cited**

U.S. PATENT DOCUMENTS

4,376,318 A * 3/1983 Cirillo A47D 13/063
5/114
5,544,870 A * 8/1996 Kelley A47D 13/065
256/25
5,553,833 A * 9/1996 Bohlen E01F 13/026
256/19
8,555,434 B2 * 10/2013 Chapman A47D 7/03
5/93.2
D900,409 S * 10/2020 Huthmaker D30/119
D906,699 S * 1/2021 Healy D6/331

* cited by examiner

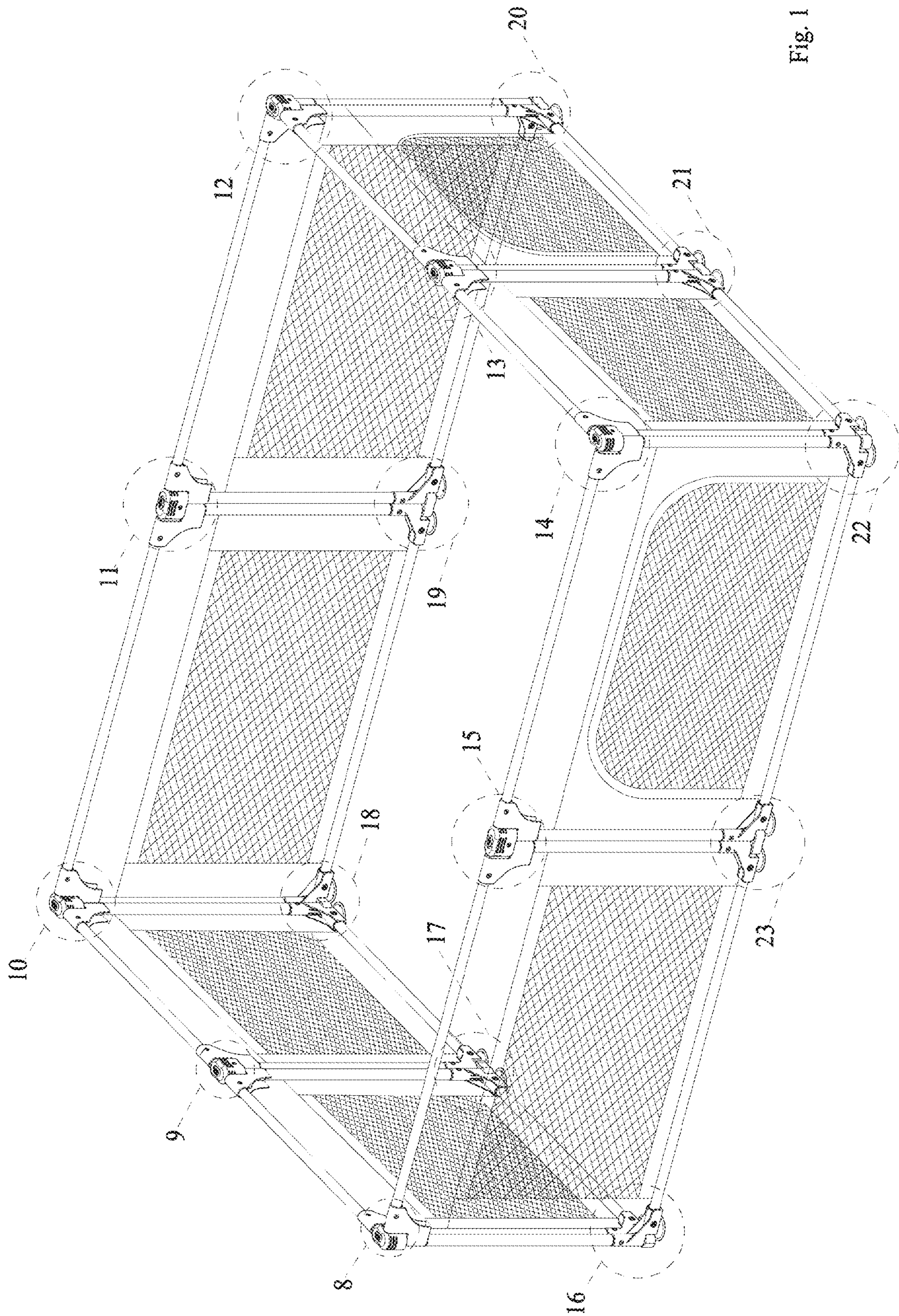


Fig. 1

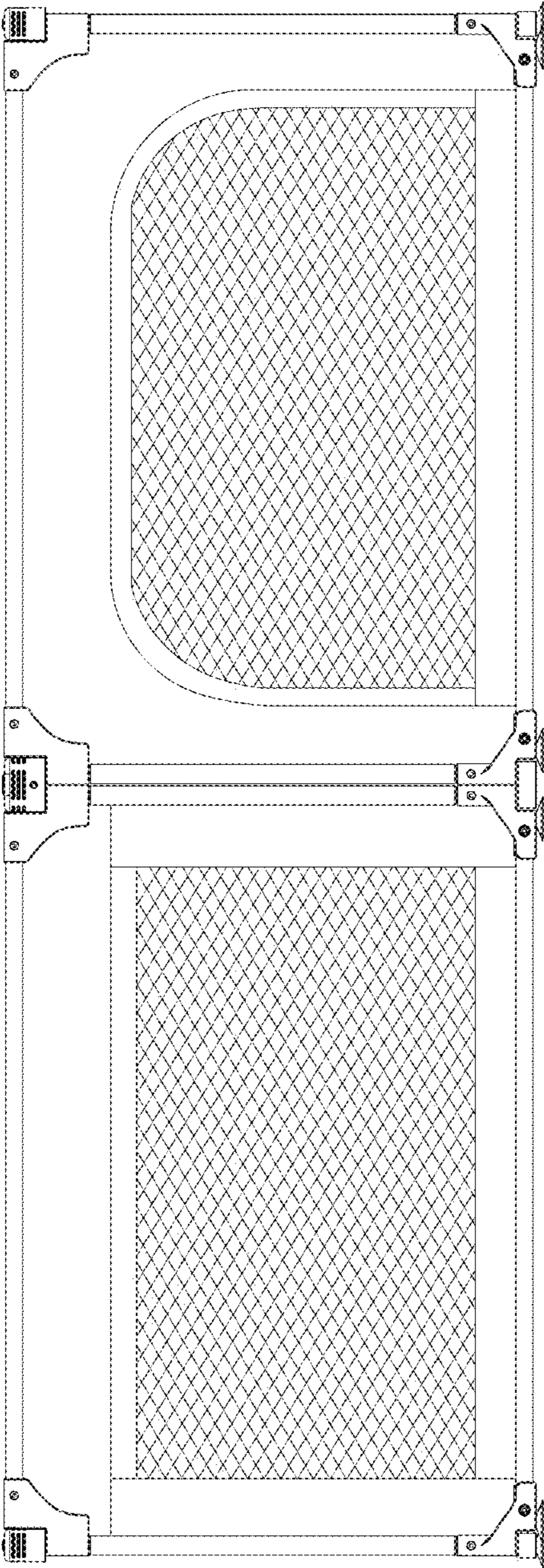


Fig. 2

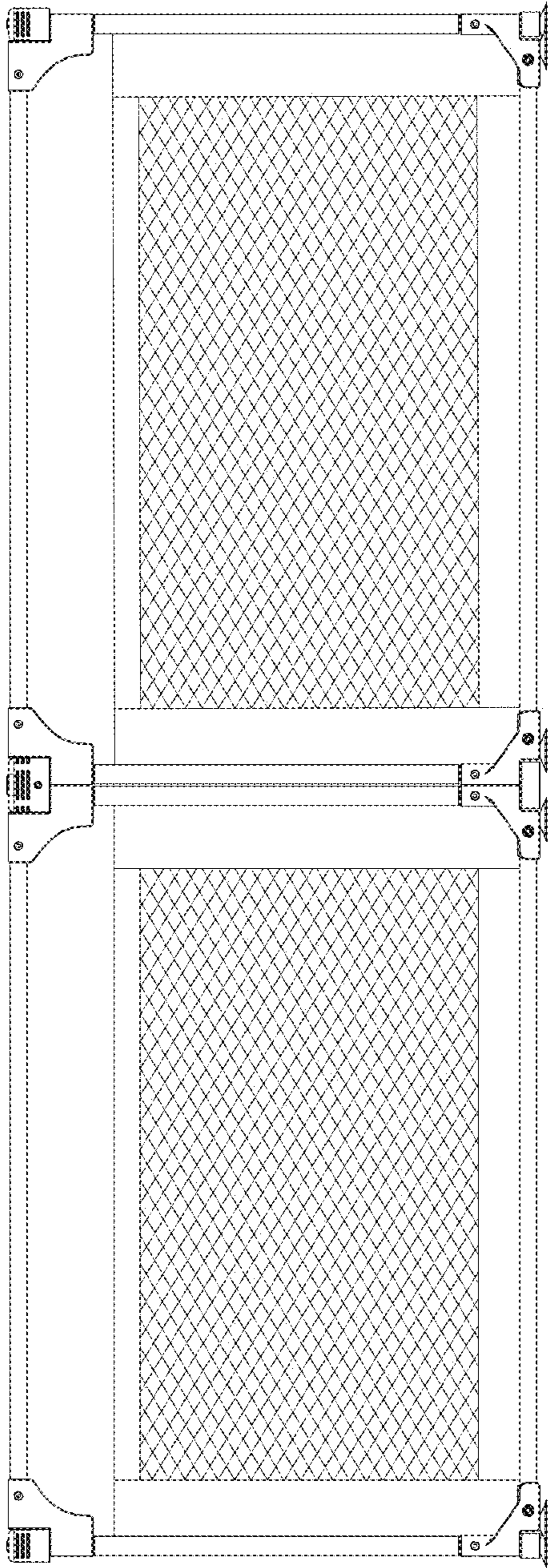


Fig. 3

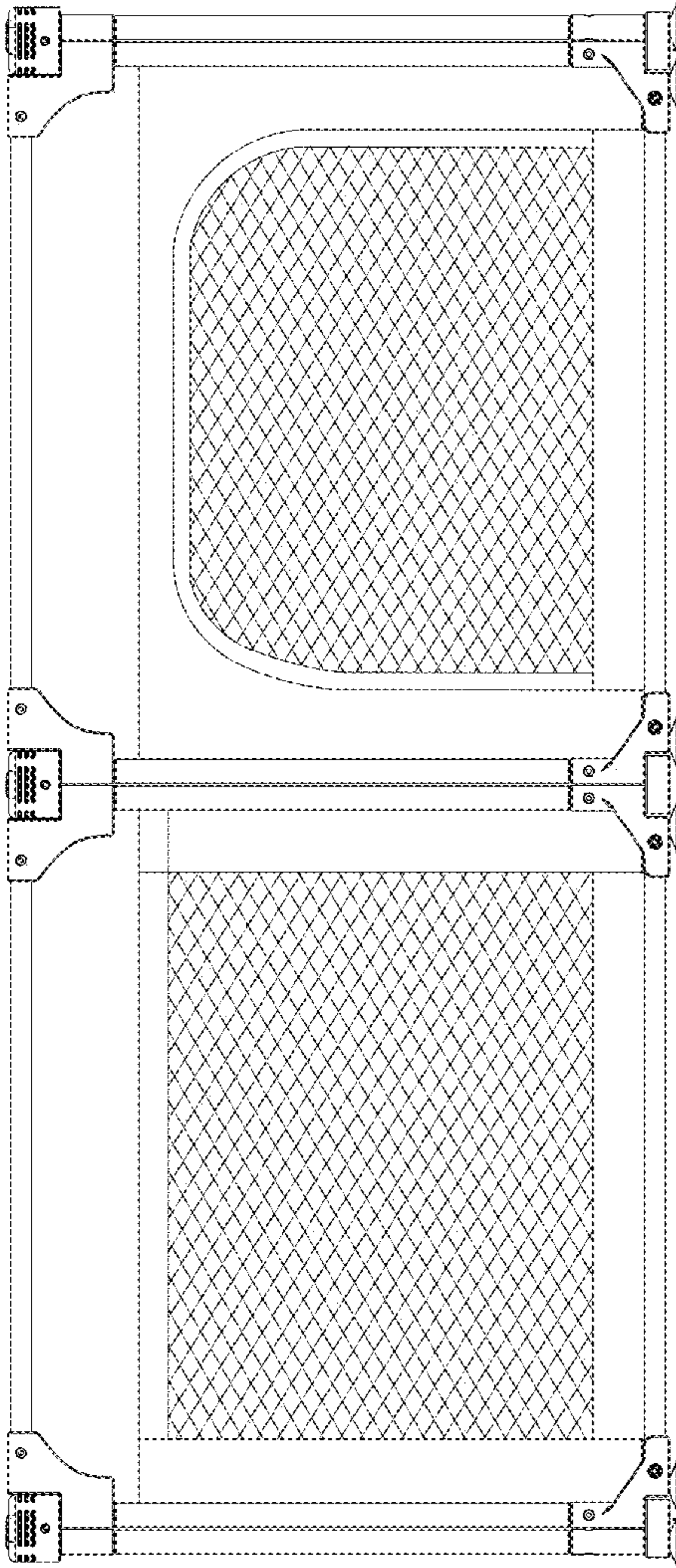


Fig. 4

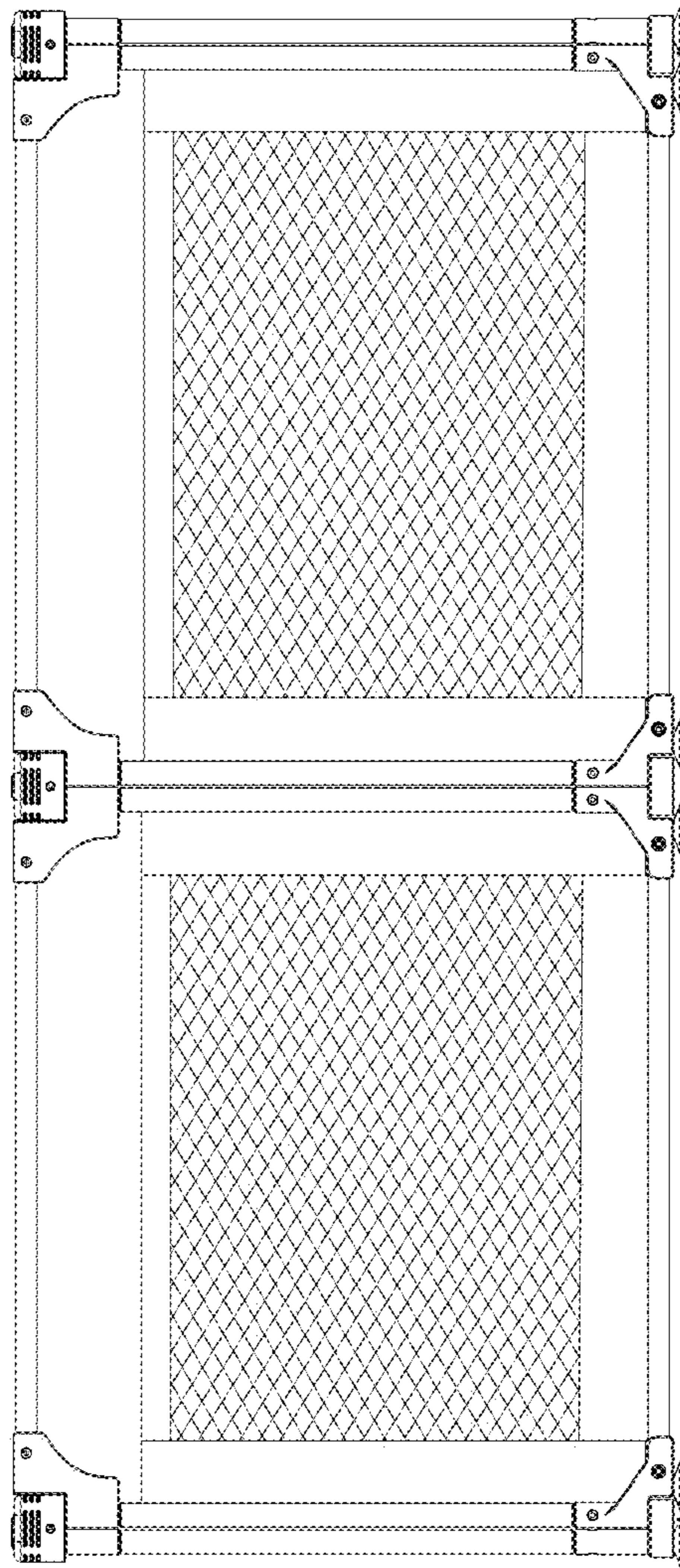


Fig. 5

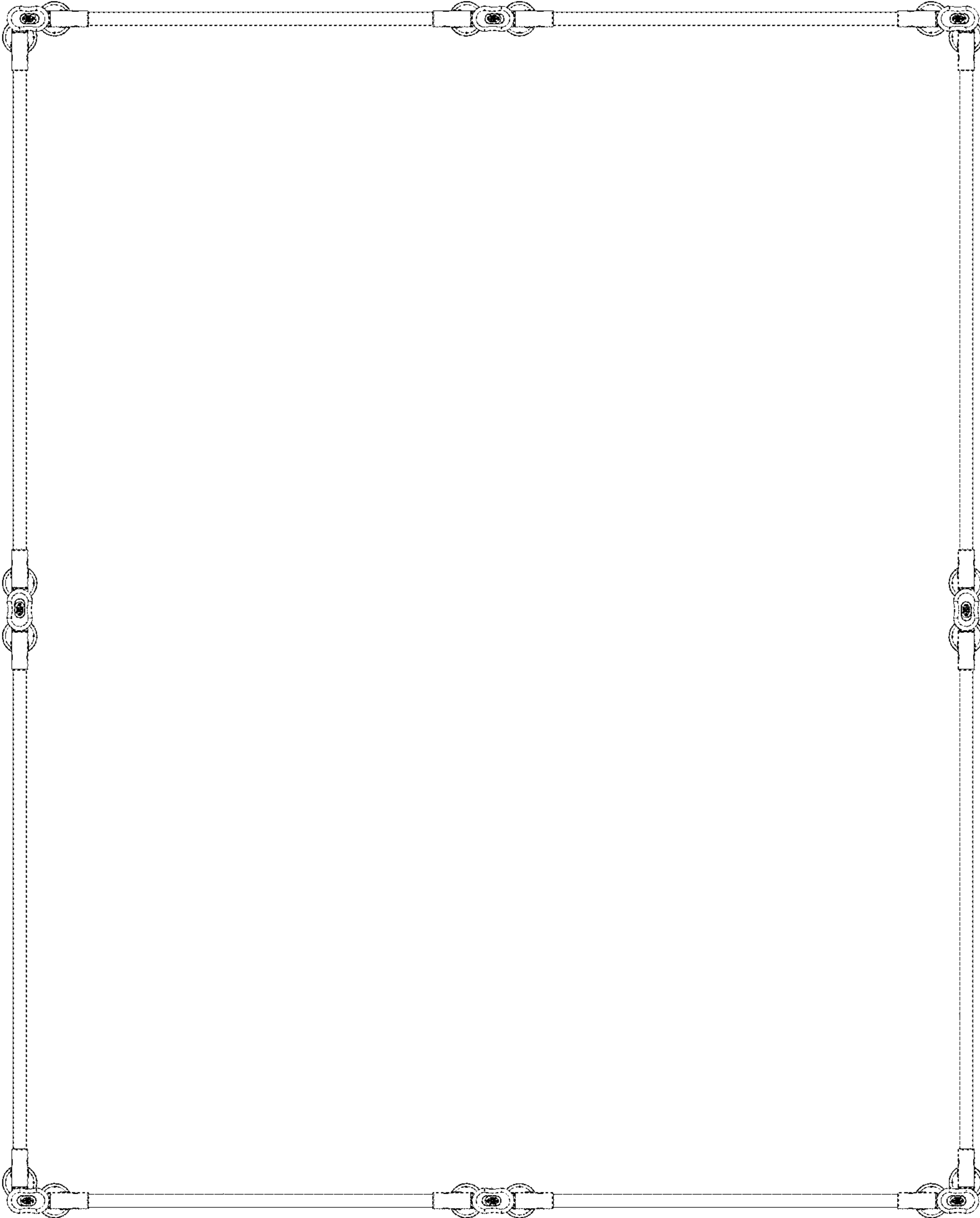


Fig. 6

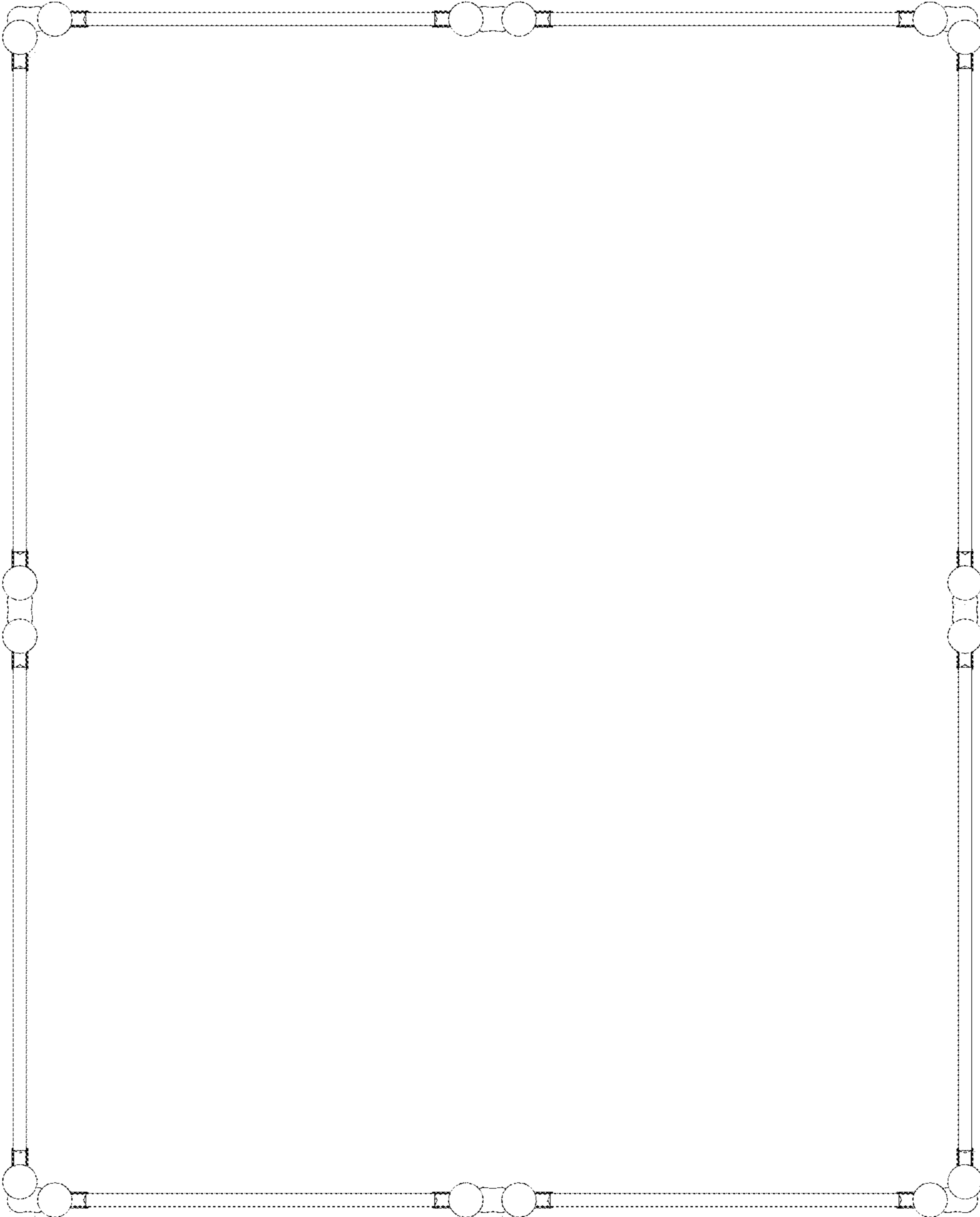
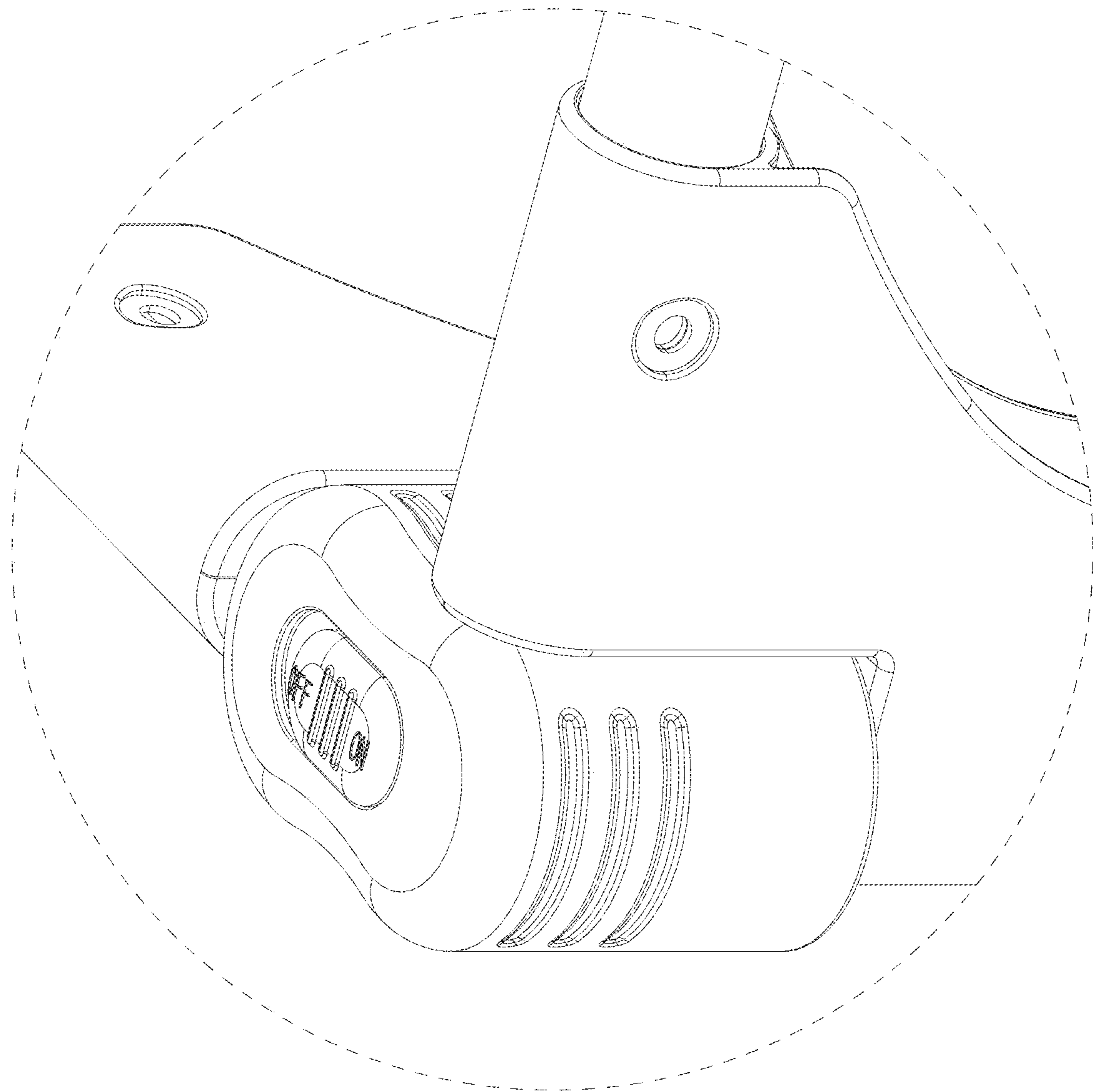


Fig. 7

Fig. 8



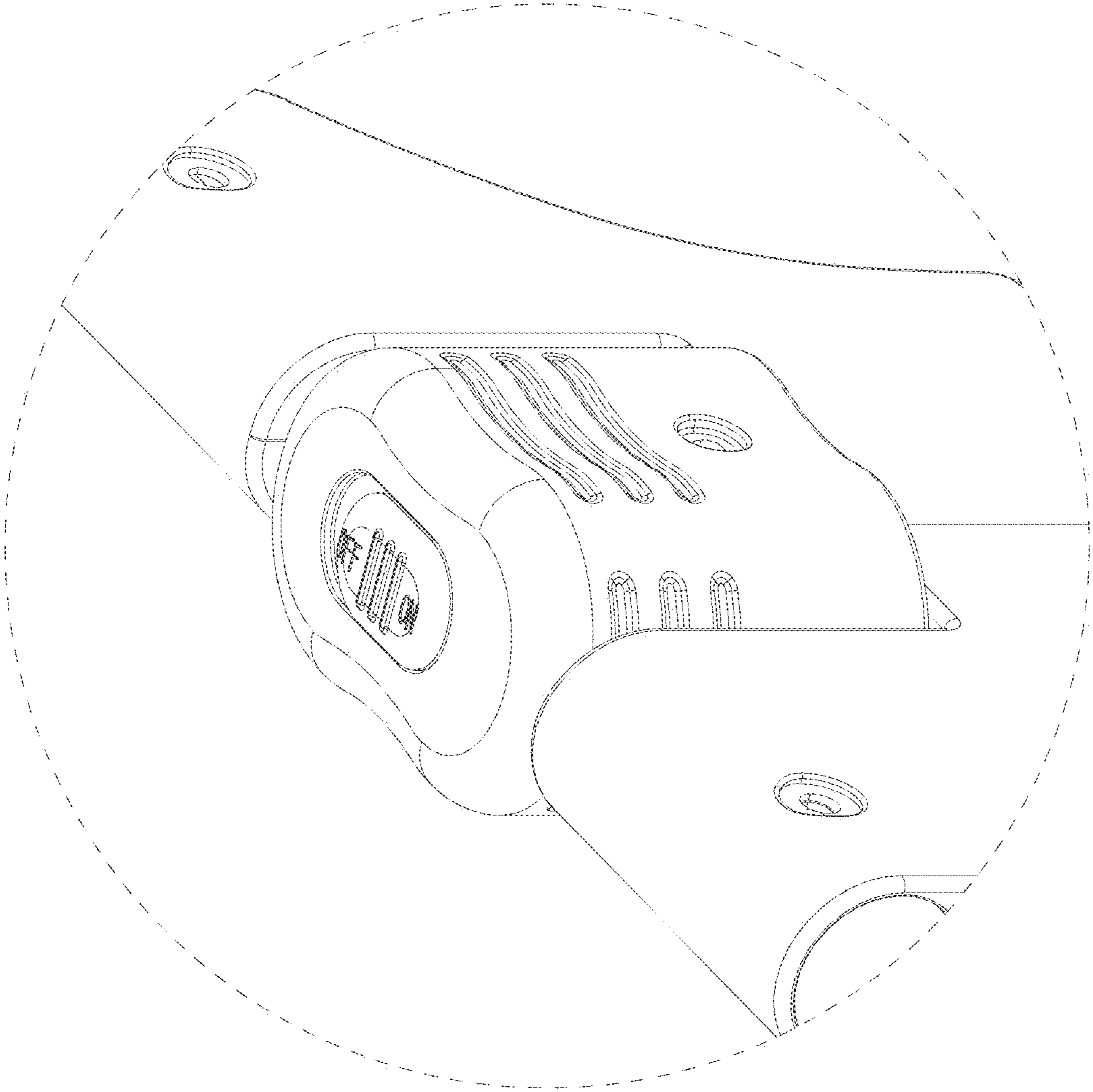


Fig. 9

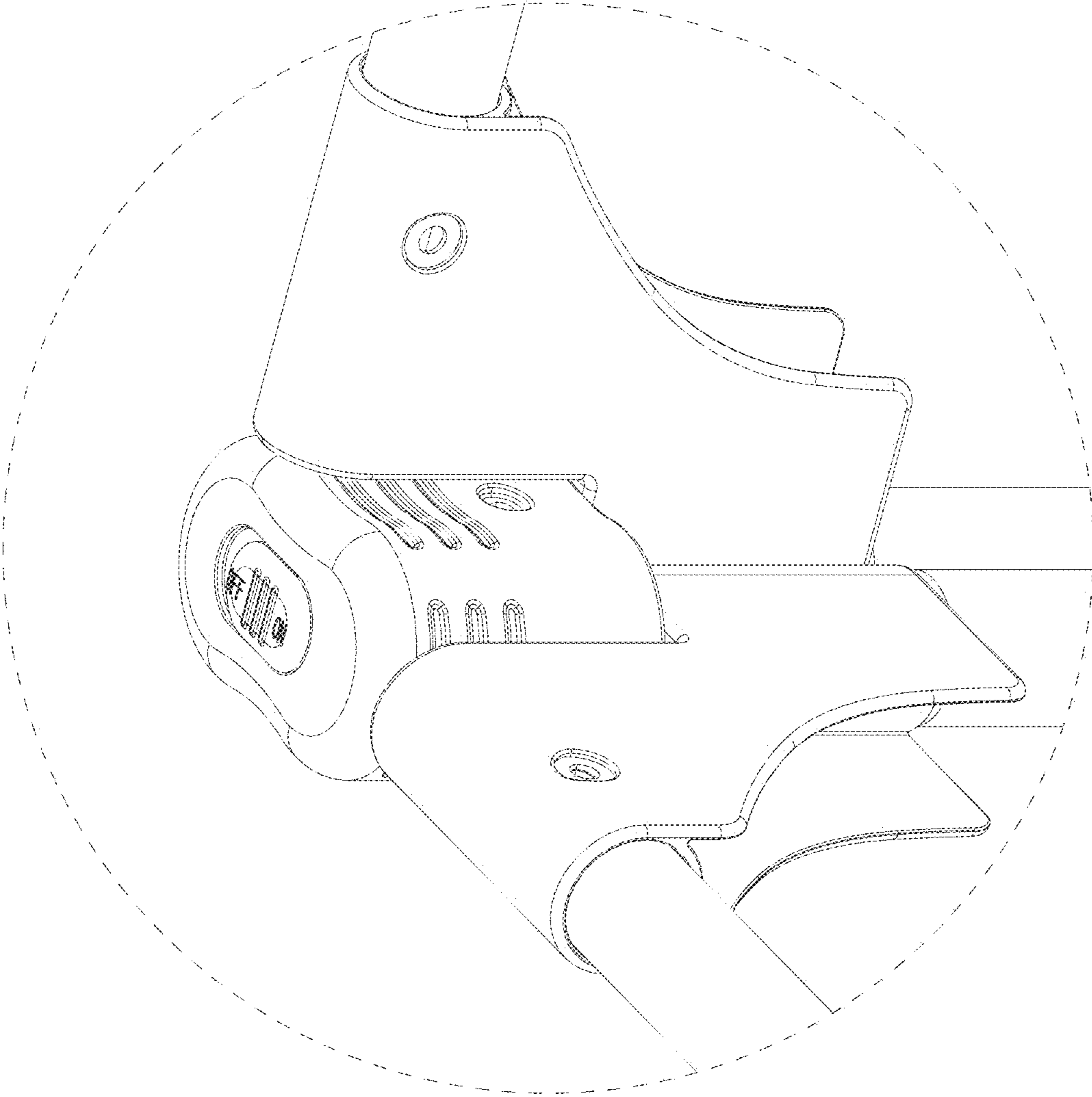


Fig. 10

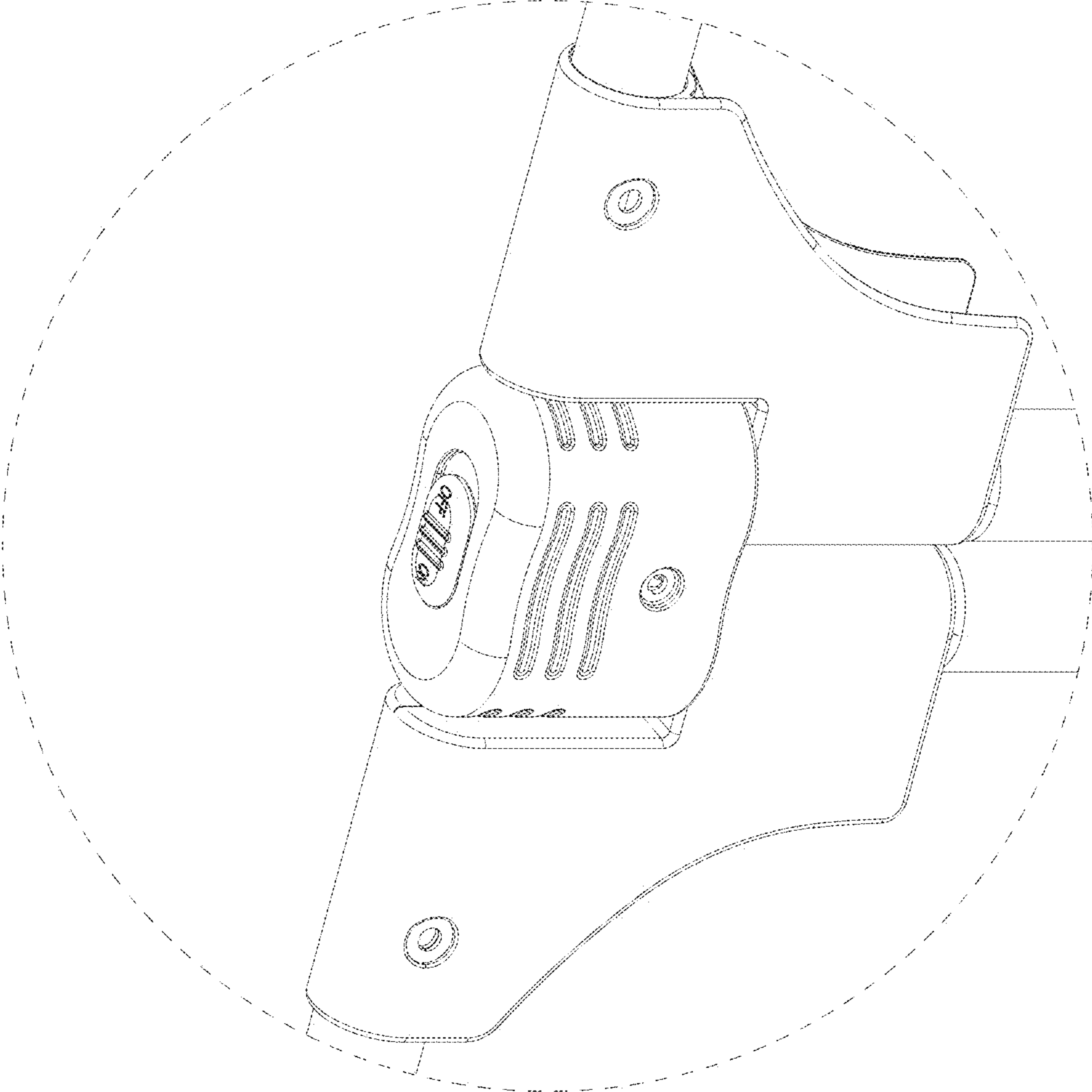


Fig. 11

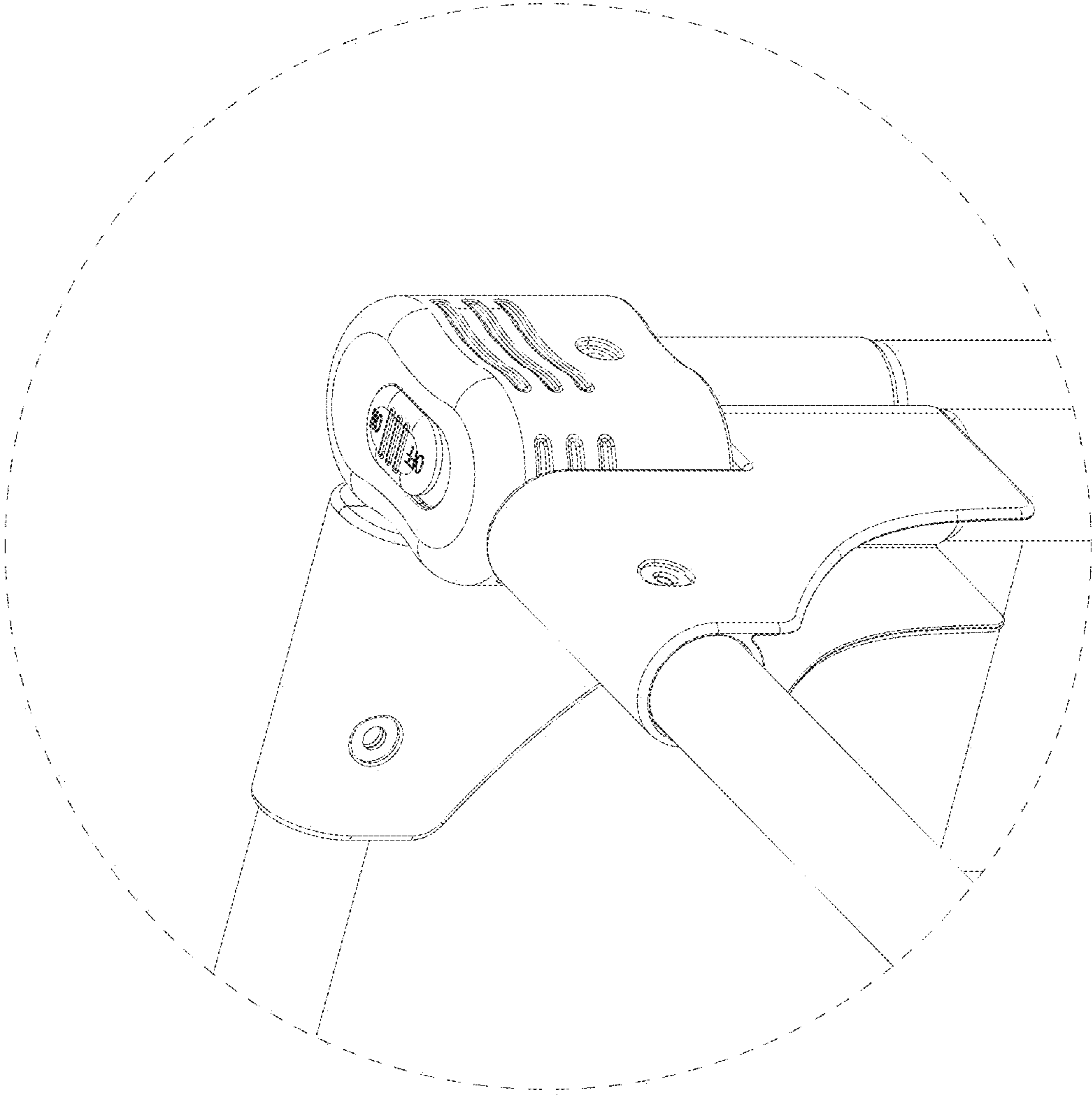


Fig. 12

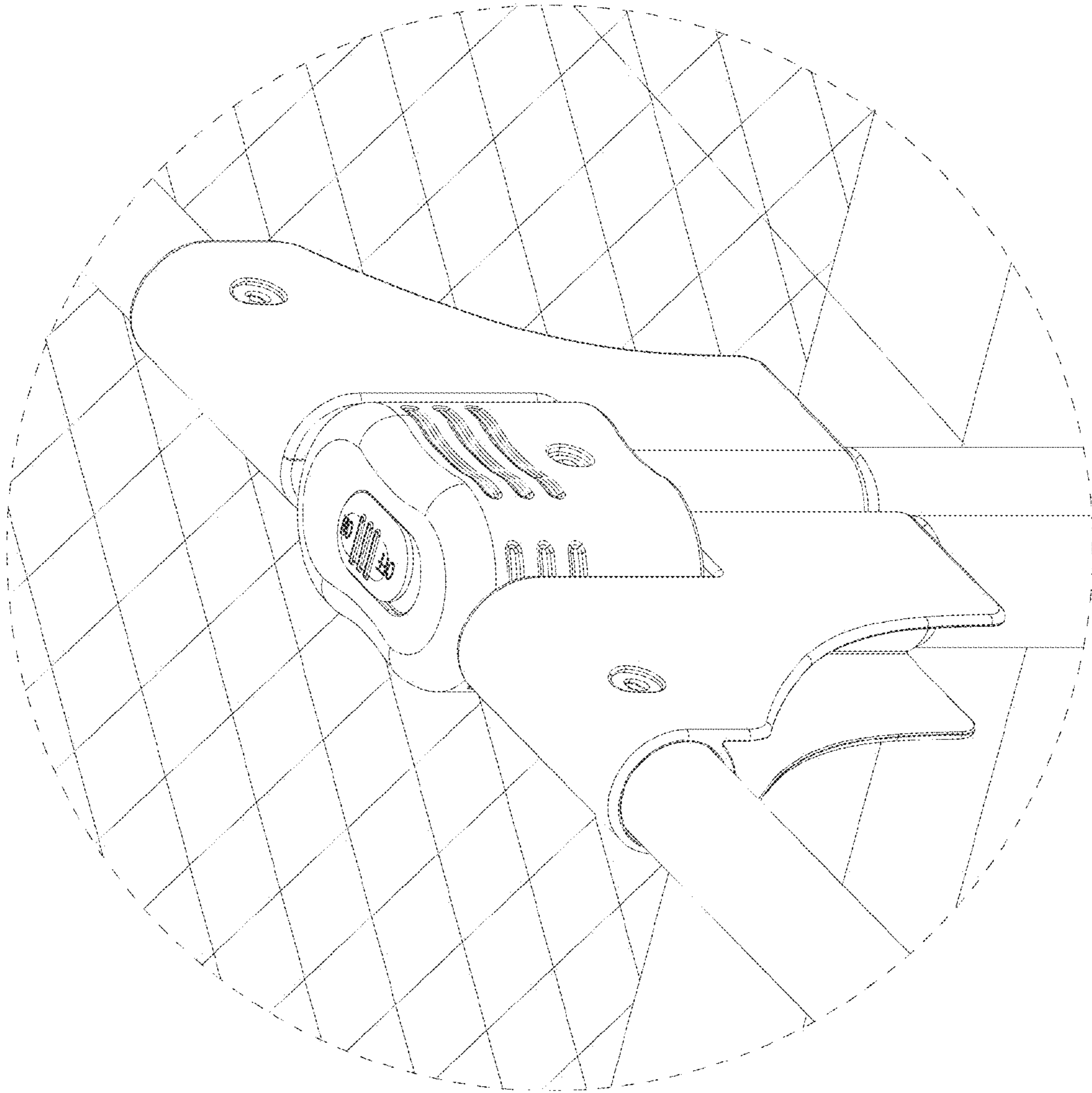


Fig. 13

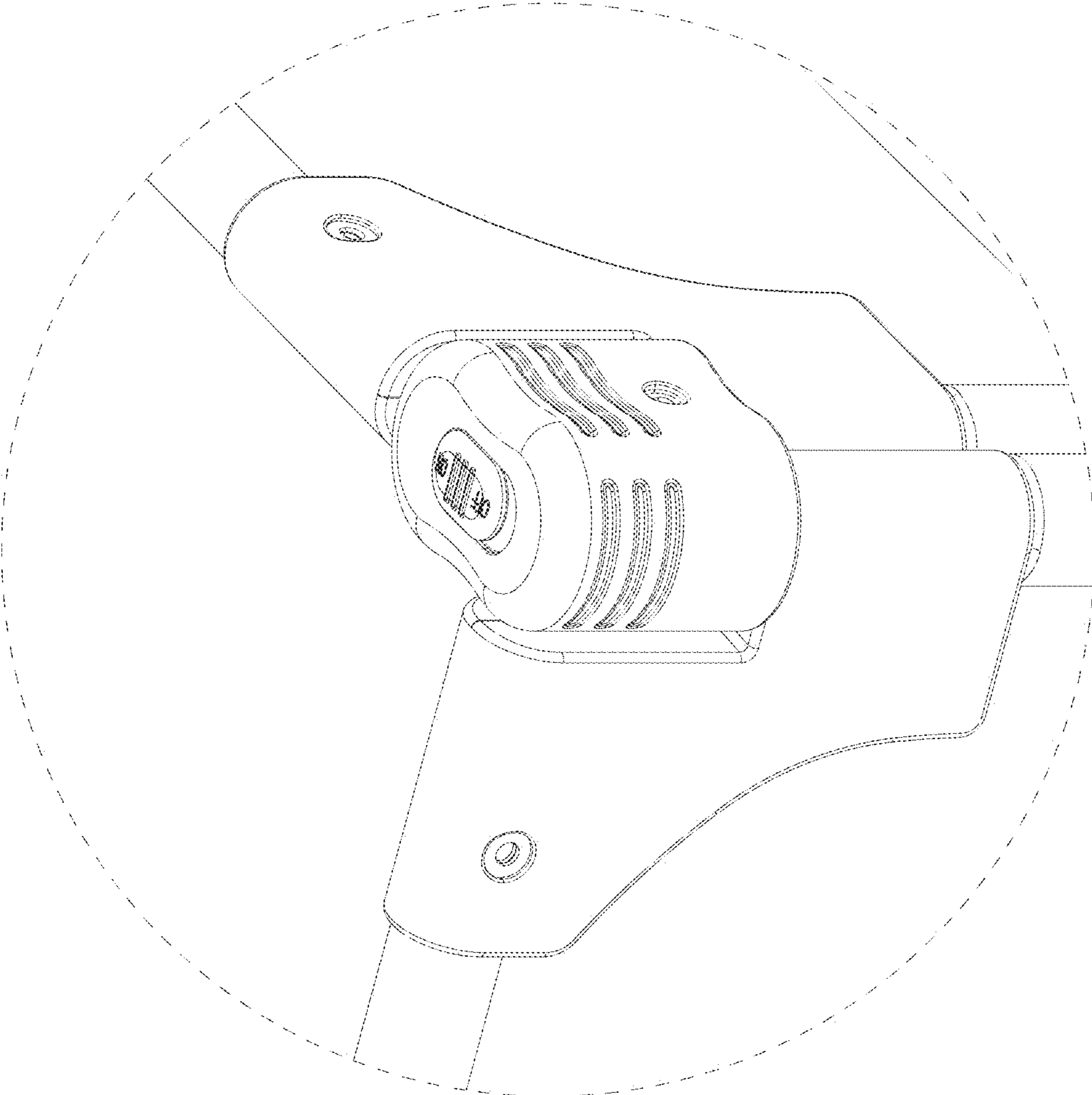


Fig. 14

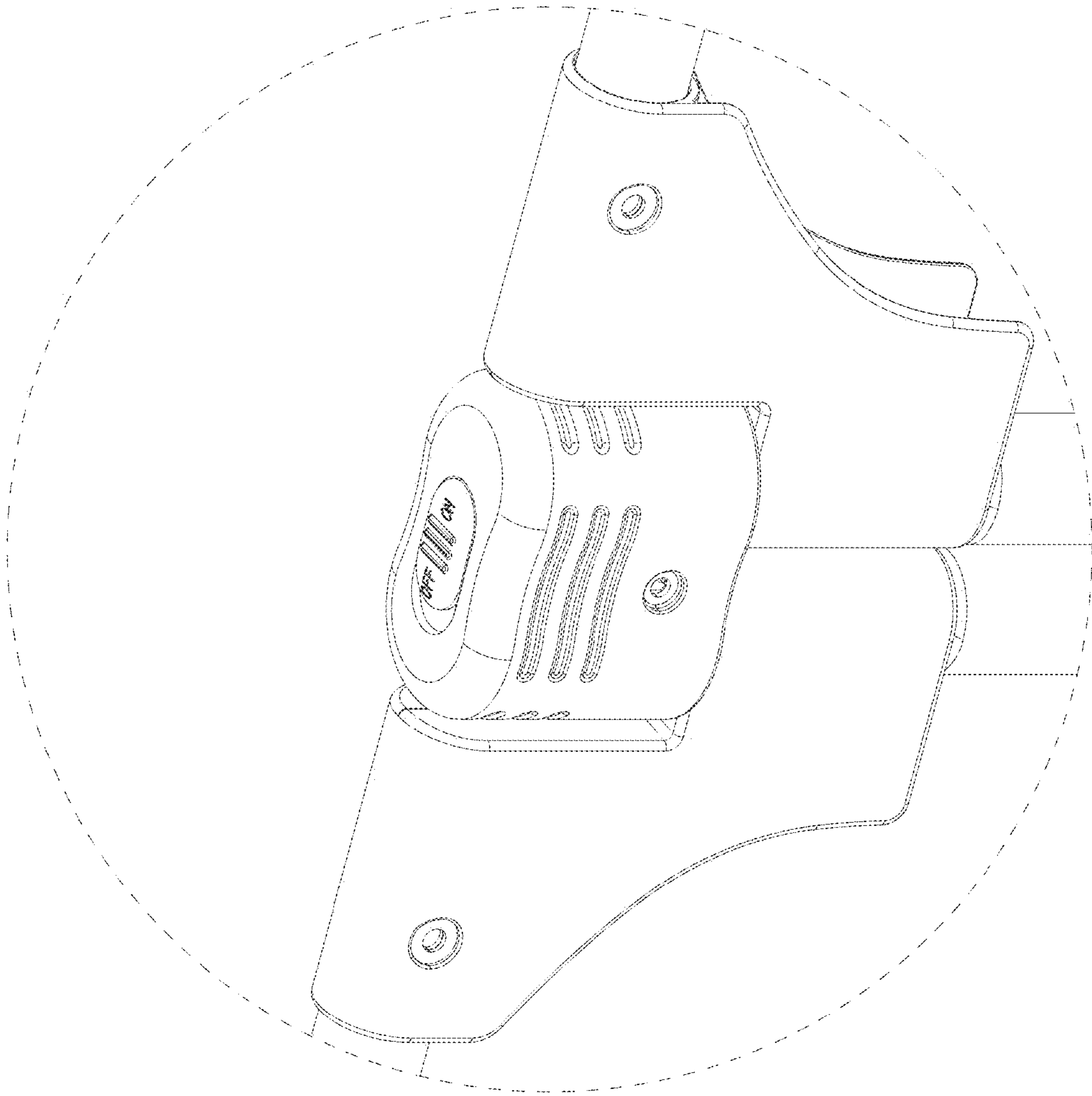


Fig. 15

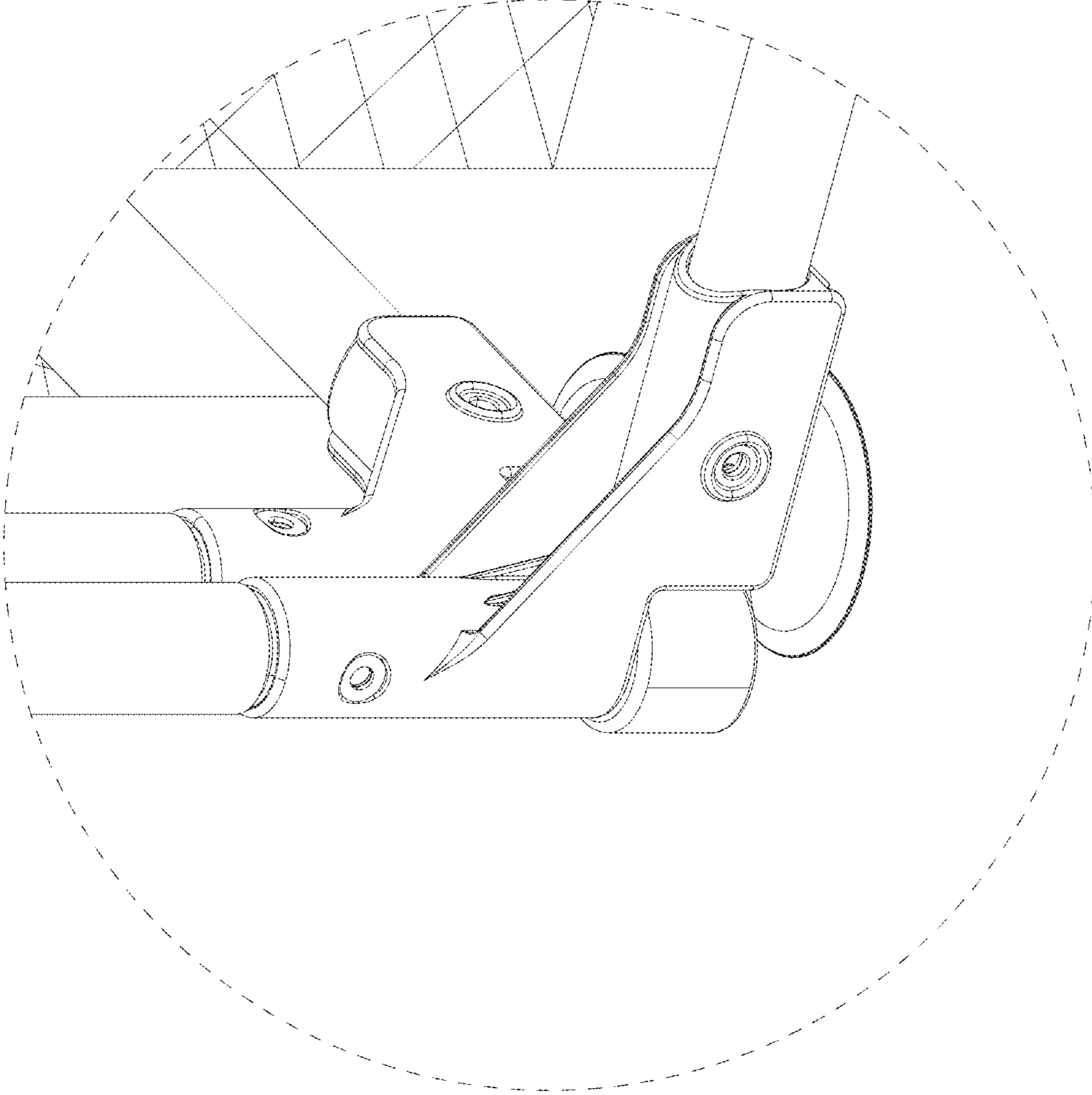


Fig. 16

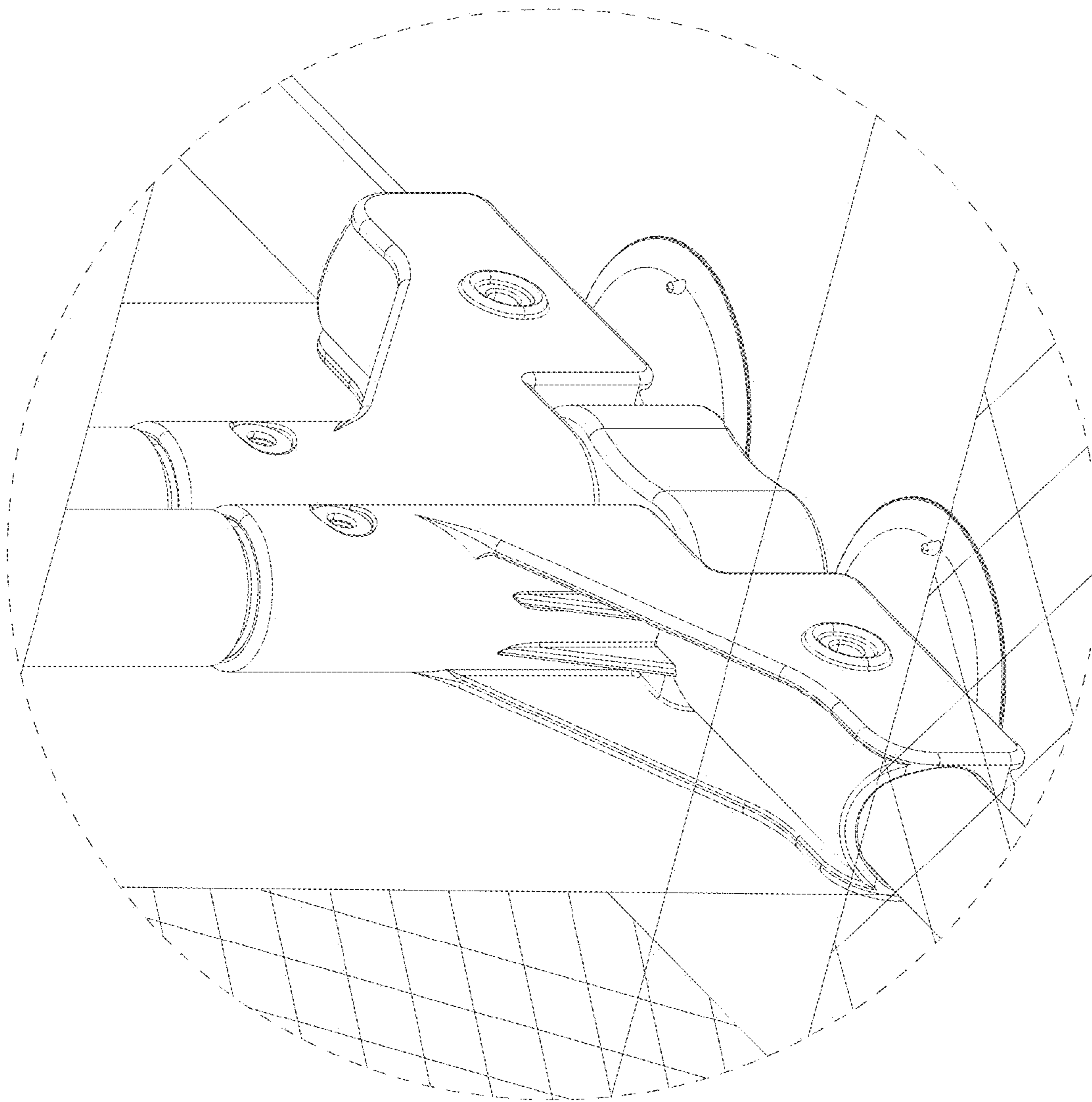


Fig. 17

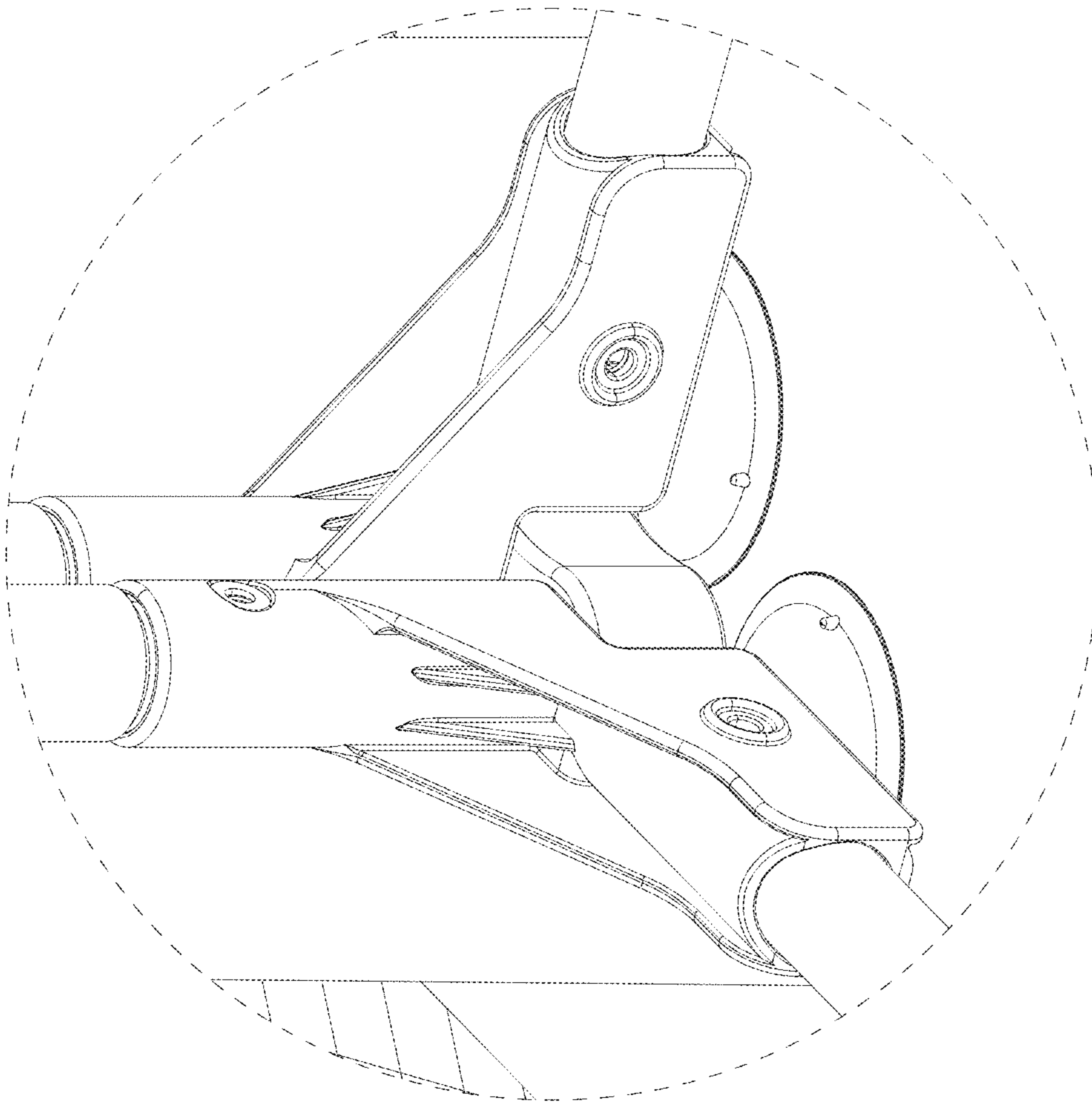


Fig. 18

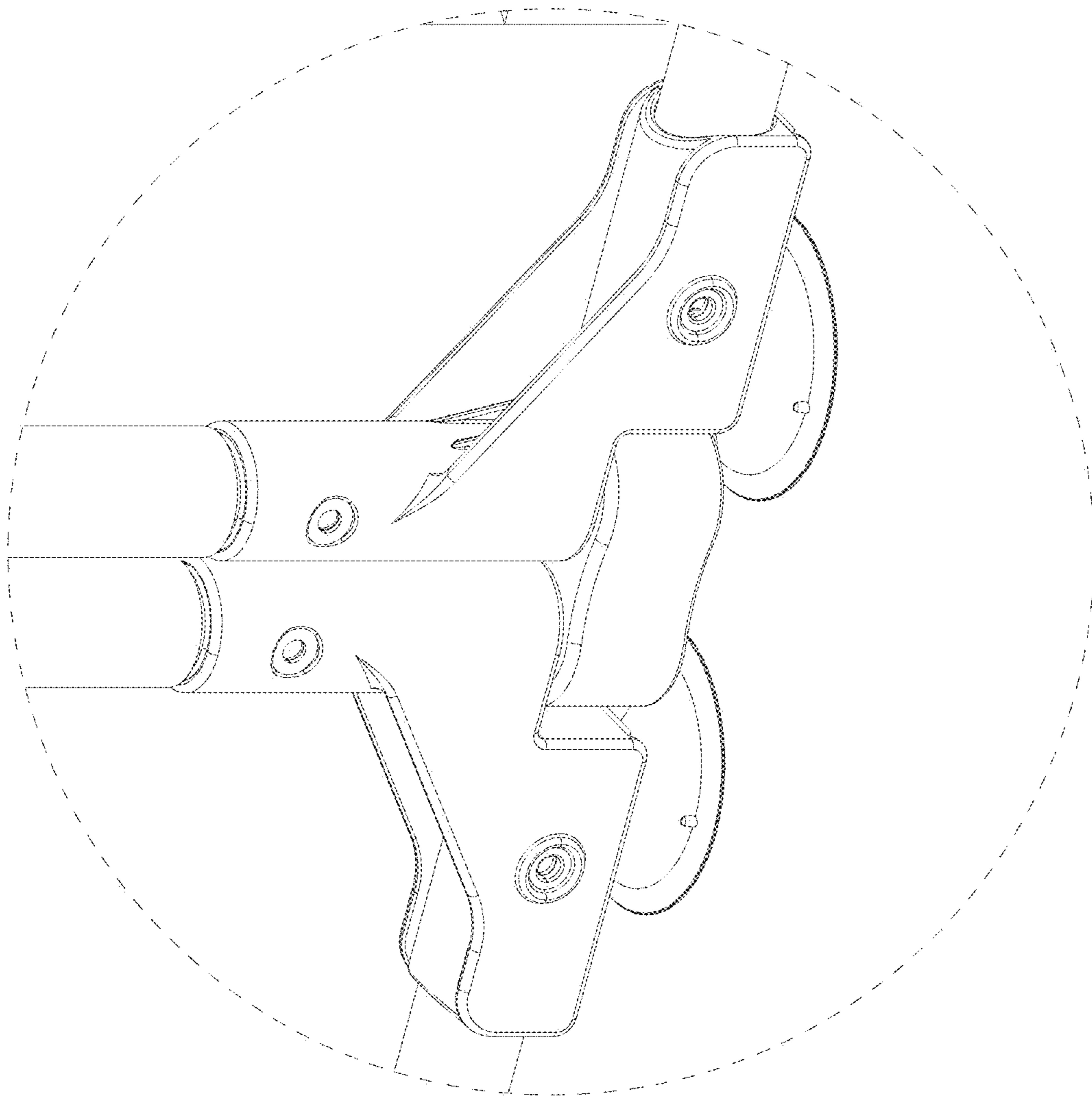


Fig. 19

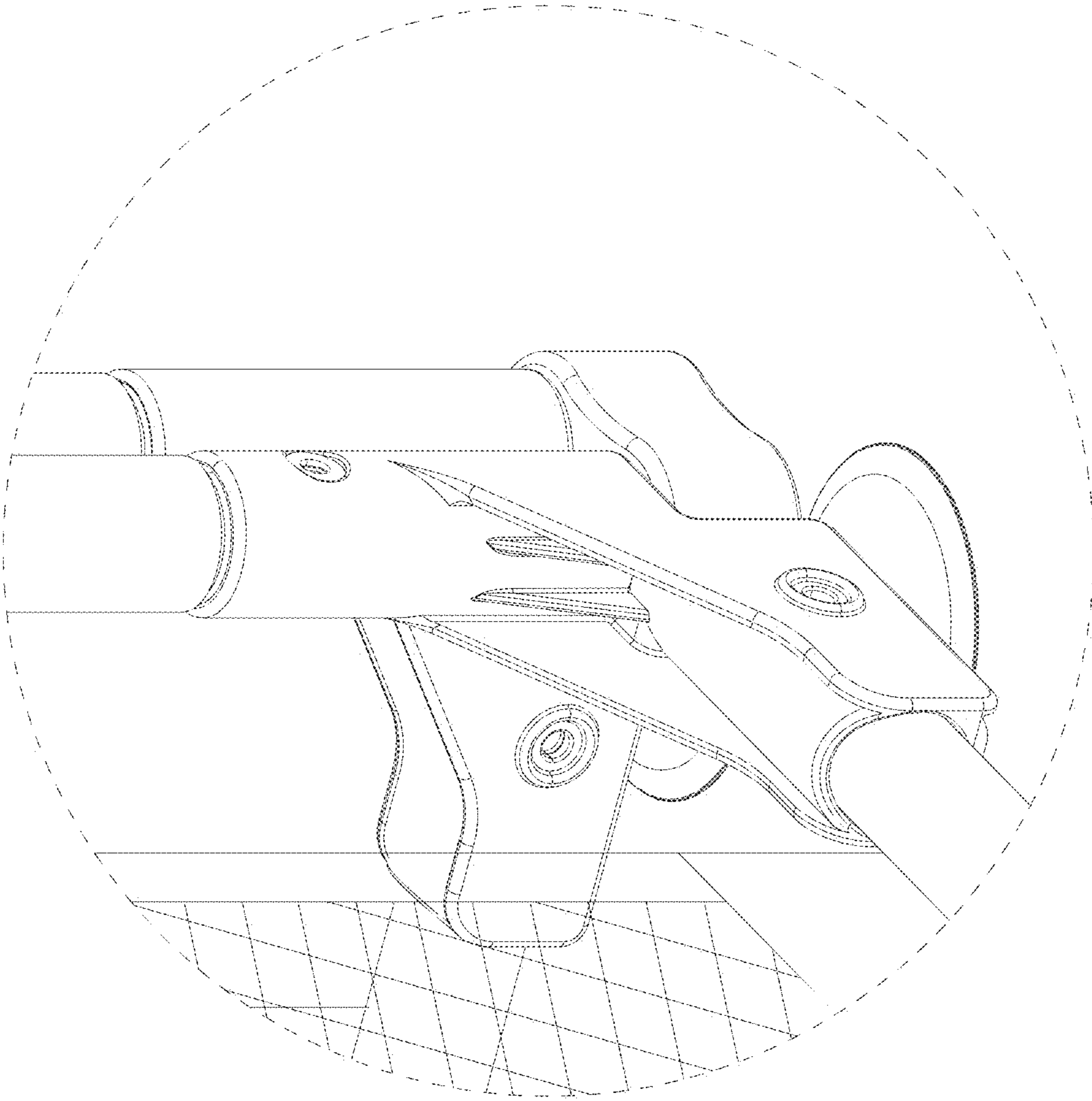


Fig. 20

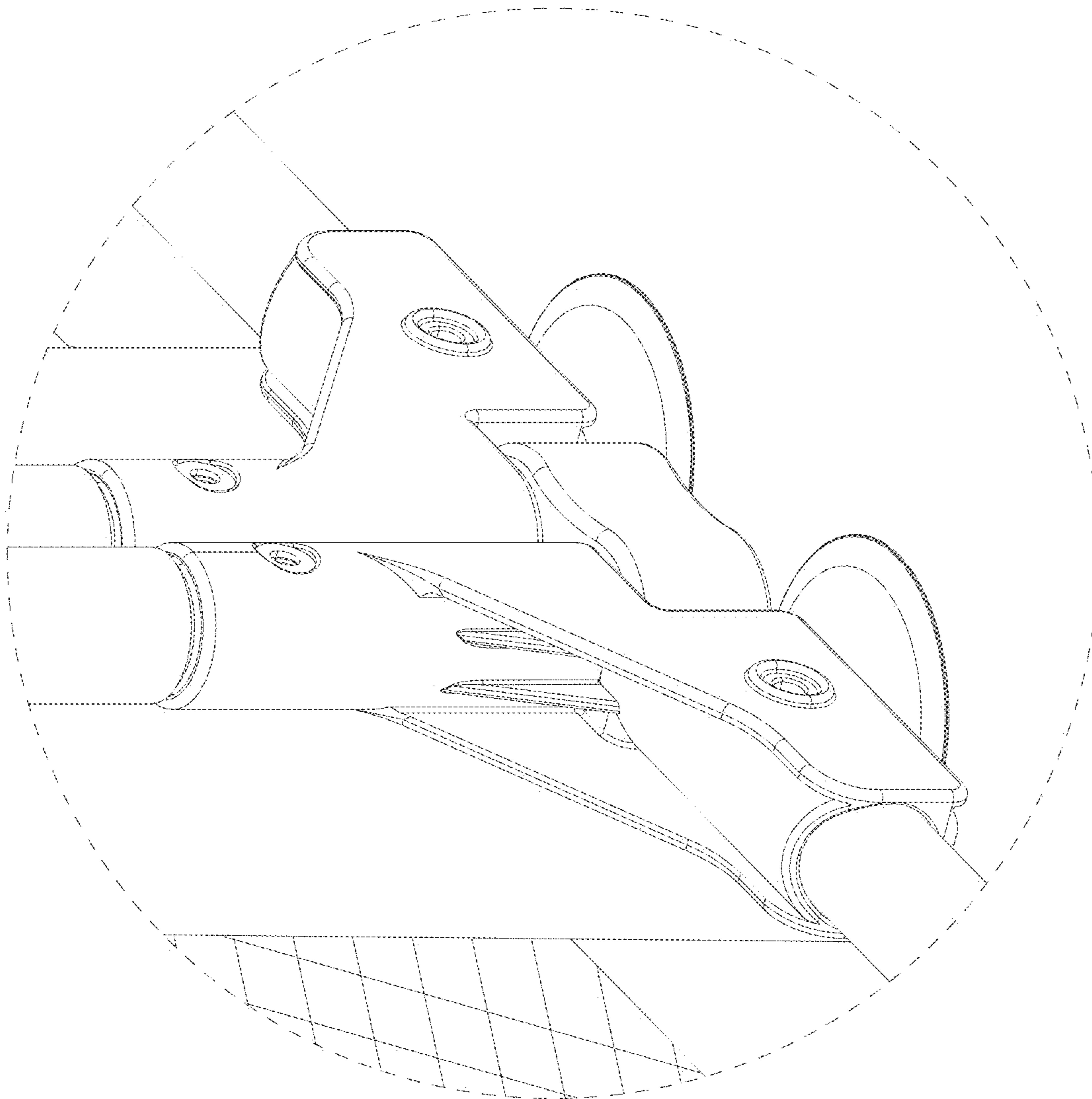


Fig. 21

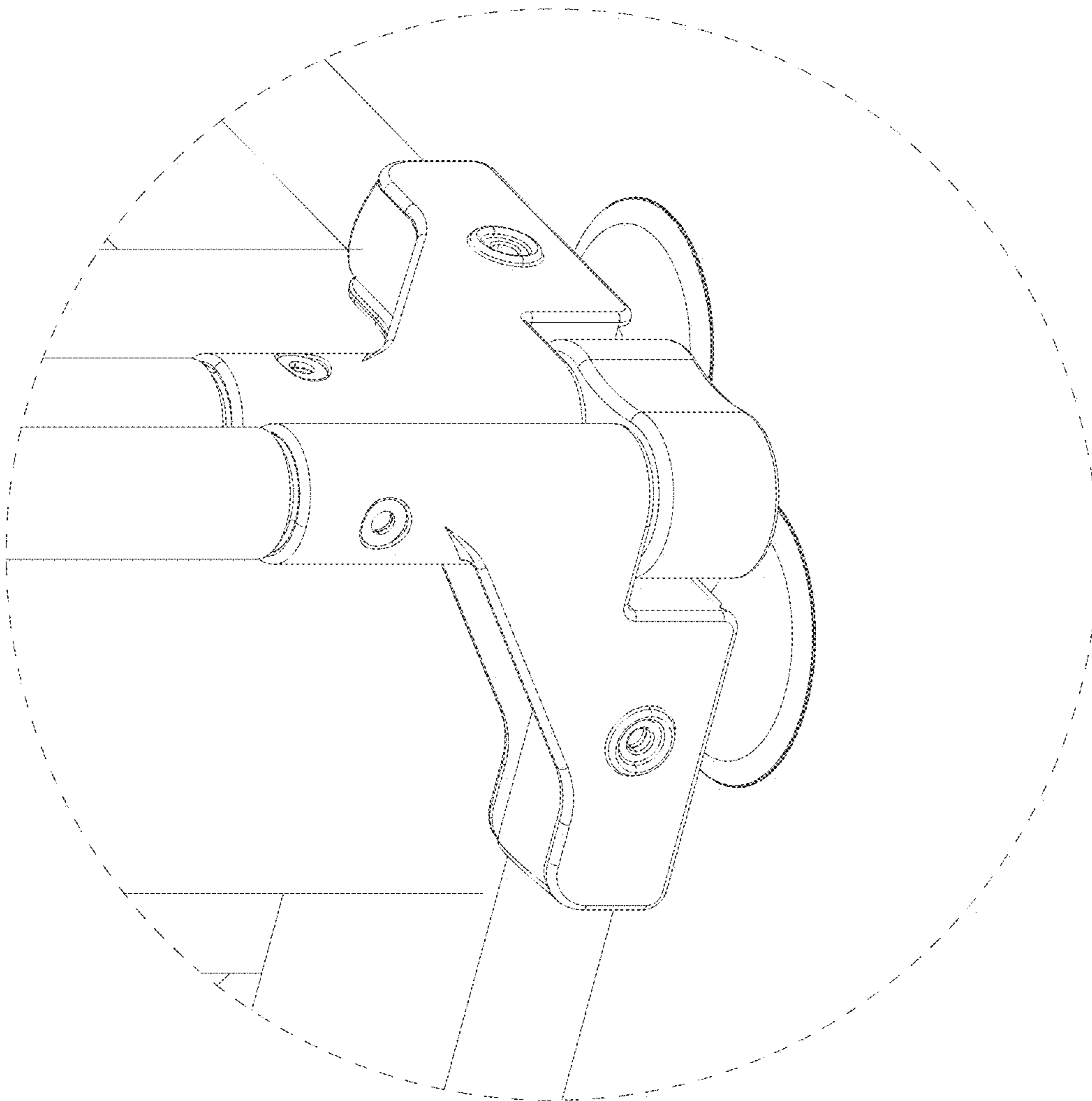


Fig. 22

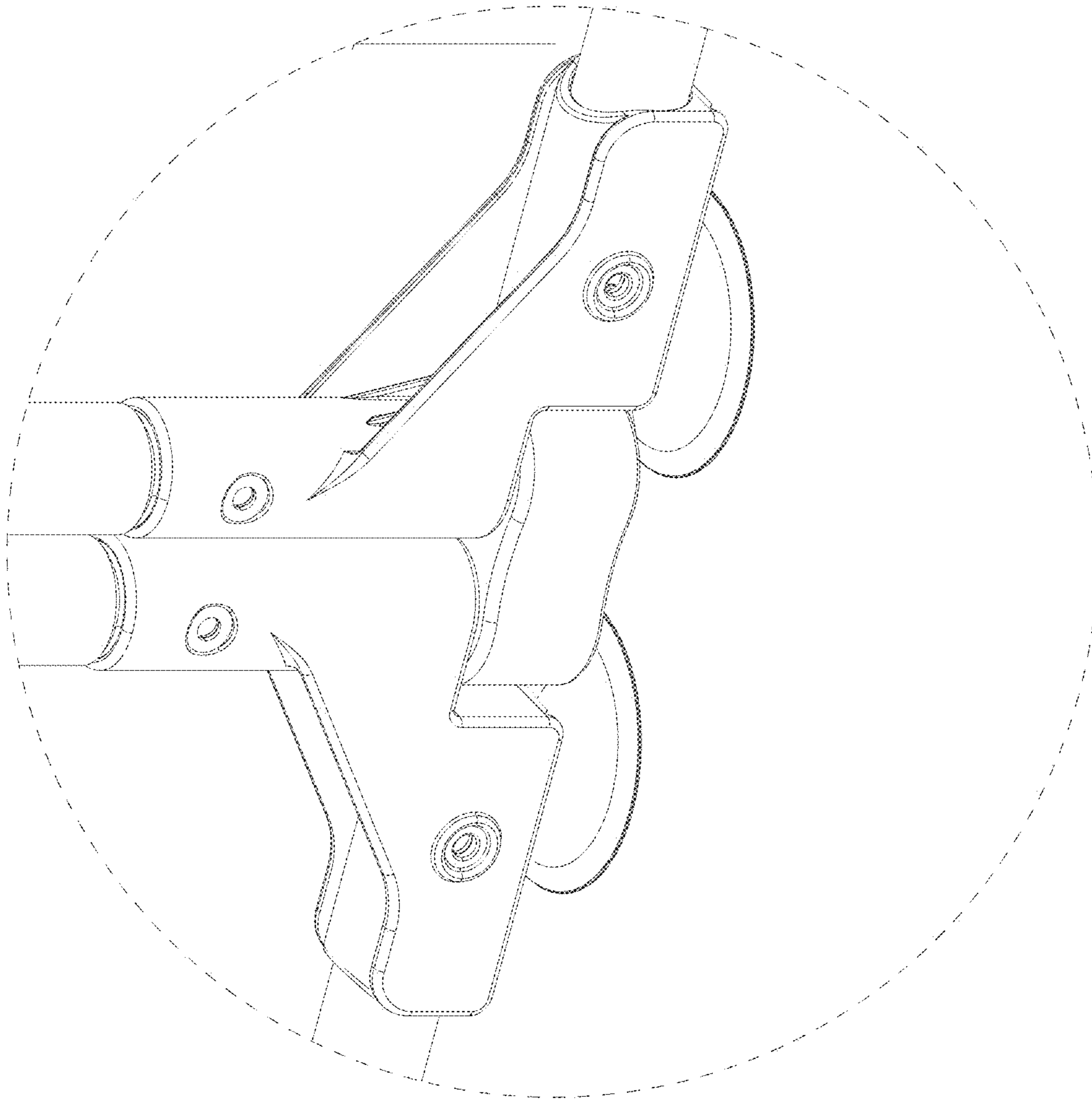


Fig. 23