

US00D946911S

(12) **United States Design Patent** (10) **Patent No.:** **US D946,911 S**
Yu (45) **Date of Patent:** **** Mar. 29, 2022**

(54) **MIRROR**

FOREIGN PATENT DOCUMENTS

(71) Applicant: **Xiaoyan Yu**, Shenzhen (CN)

CN 306701510 * 4/2021

(72) Inventor: **Xiaoyan Yu**, Shenzhen (CN)

OTHER PUBLICATIONS

(**) Term: **15 Years**

Dual-sided Swivel led vanity mirror [online], [site visited Nov. 16, 2021]. Available from internet, URL:<http://www.jydmirror.com/tablemirror/18-118.html> (Year: 2021).*

(21) Appl. No.: **29/778,327**

Decobros 6-inch Tabletop Two-Sided Swivel Vanity Mirror [online], [site visited Nov. 16, 2021]. Available from internet, URL:<https://www.amazon.com/Decobros-Tabletop-Two-Sided-Magnification-11-inch/dp/B01ACQFLAU/> (Year: 2014).*

(22) Filed: **Apr. 13, 2021**

(51) **LOC (13) Cl.** **06-07**

(52) **U.S. Cl.**

USPC **D6/309**

* cited by examiner

(58) **Field of Classification Search**

USPC D6/300, 301, 302, 303, 304, 307, 308,
D6/309, 310, 311, 312, 313, 314;
D28/64.1-64.7; D16/135

Primary Examiner — Cynthia Ramirez
Assistant Examiner — Xavier Marti-Santos

CPC A45D 42/00; A45D 42/10; A45D 42/16;
A45D 42/20; A45D 42/24; A47G 1/00;
A47G 1/02; A47G 1/04; A47G 1/0622;
B60J 3/0282

(57) **CLAIM**

See application file for complete search history.

The ornamental design for a mirror, as shown and described.

DESCRIPTION

(56) **References Cited**

U.S. PATENT DOCUMENTS

D379,125 S *	5/1997	Simjian	D24/139
D702,048 S *	4/2014	Fung	D6/309
D729,525 S *	5/2015	Tsai	D6/300
D730,065 S *	5/2015	Tsai	D6/310
D738,118 S *	9/2015	Gyanendra	D6/310
D779,836 S *	2/2017	Bailey	D6/309
D891,121 S *	7/2020	Zhao	D6/308
D891,125 S *	7/2020	Liu	D6/310
D897,694 S *	10/2020	Lin	D6/309
D898,387 S *	10/2020	Yang	D6/309
D902,607 S	11/2020	Liu		
D905,442 S	12/2020	Yang		
D916,472 S *	4/2021	Ghiorghie	D6/310
D925,928 S *	7/2021	Yang	D6/309
D935,791 S *	11/2021	Li	D6/300
D942,160 *	2/2022	Jiang	D6/309

FIG. 1 is a perspective view of a mirror showing my new design;

FIG. 2 is another perspective view thereof;

FIG. 3 is a front elevational view thereof;

FIG. 4 is a rear elevational view thereof;

FIG. 5 is a left side elevational view thereof;

FIG. 6 is a right side elevational view thereof;

FIG. 7 is a top plan view thereof;

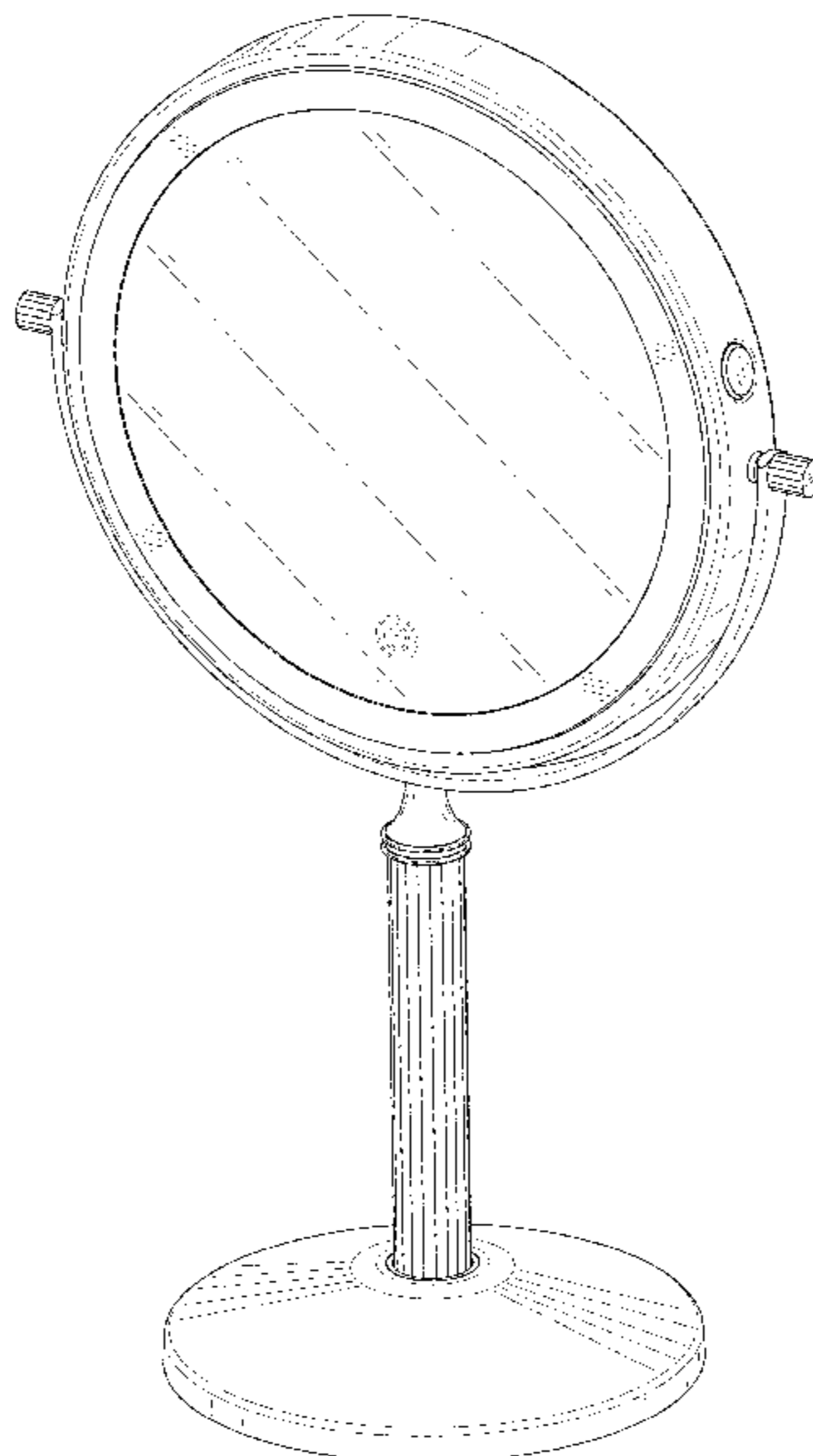
FIG. 8 is a bottom plan view thereof;

FIG. 9 is a perspective view of the mirror where the mirror is in a configuration of use; and,

FIG. 10 is an exploded perspective view of the mirror.

The broken lines in the drawings depict portions of the mirror that form no part of the claimed design.

1 Claim, 10 Drawing Sheets



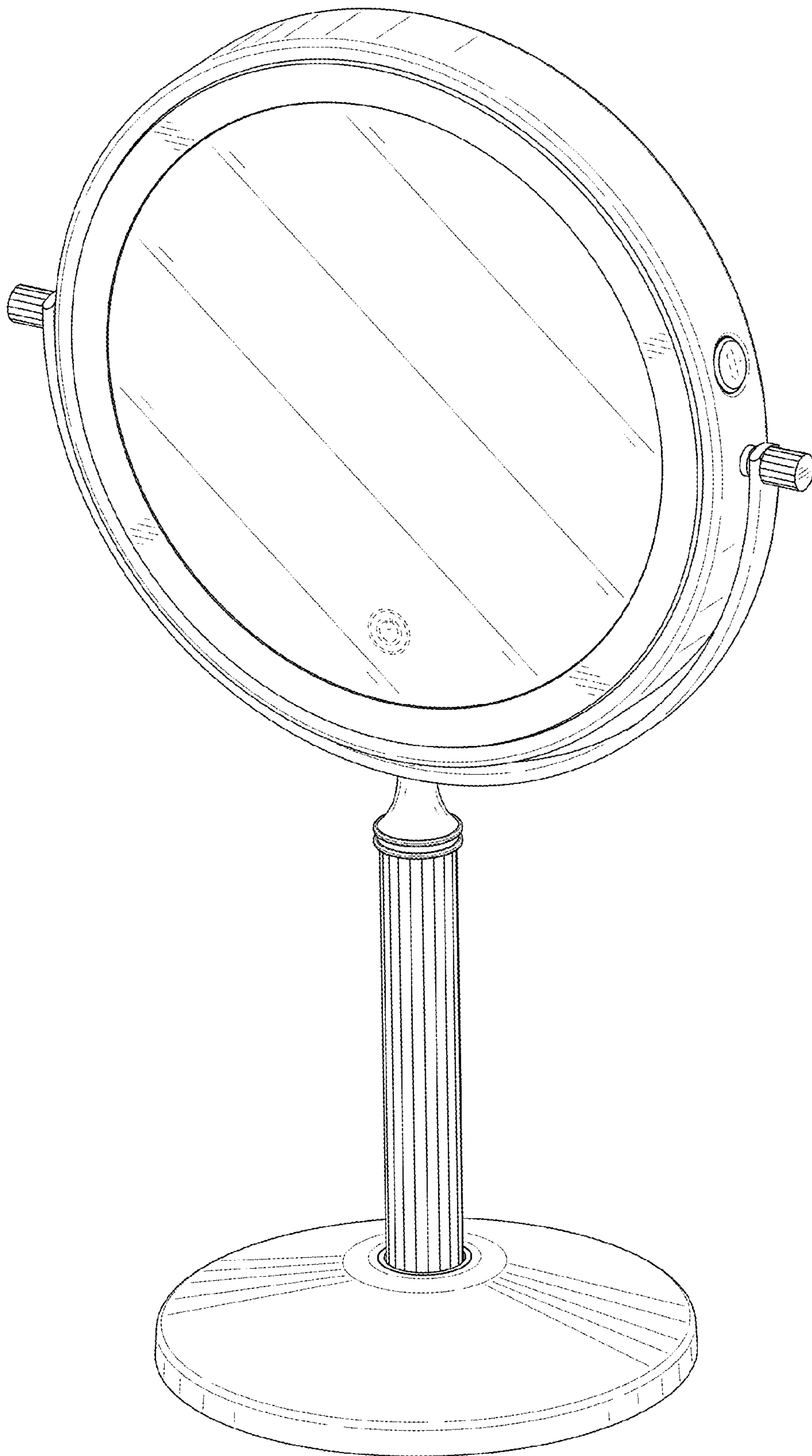


FIG. 1

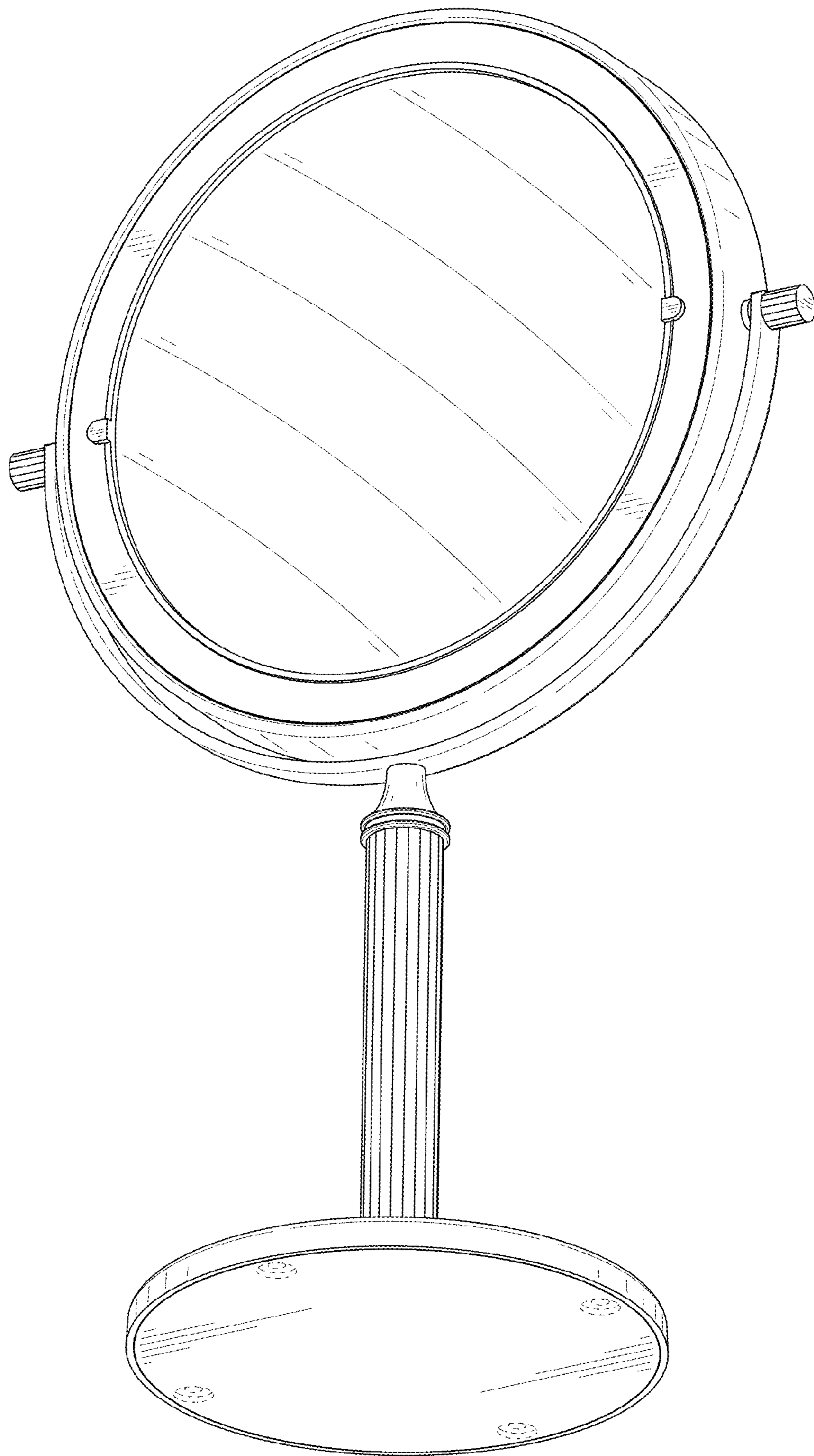


FIG. 2

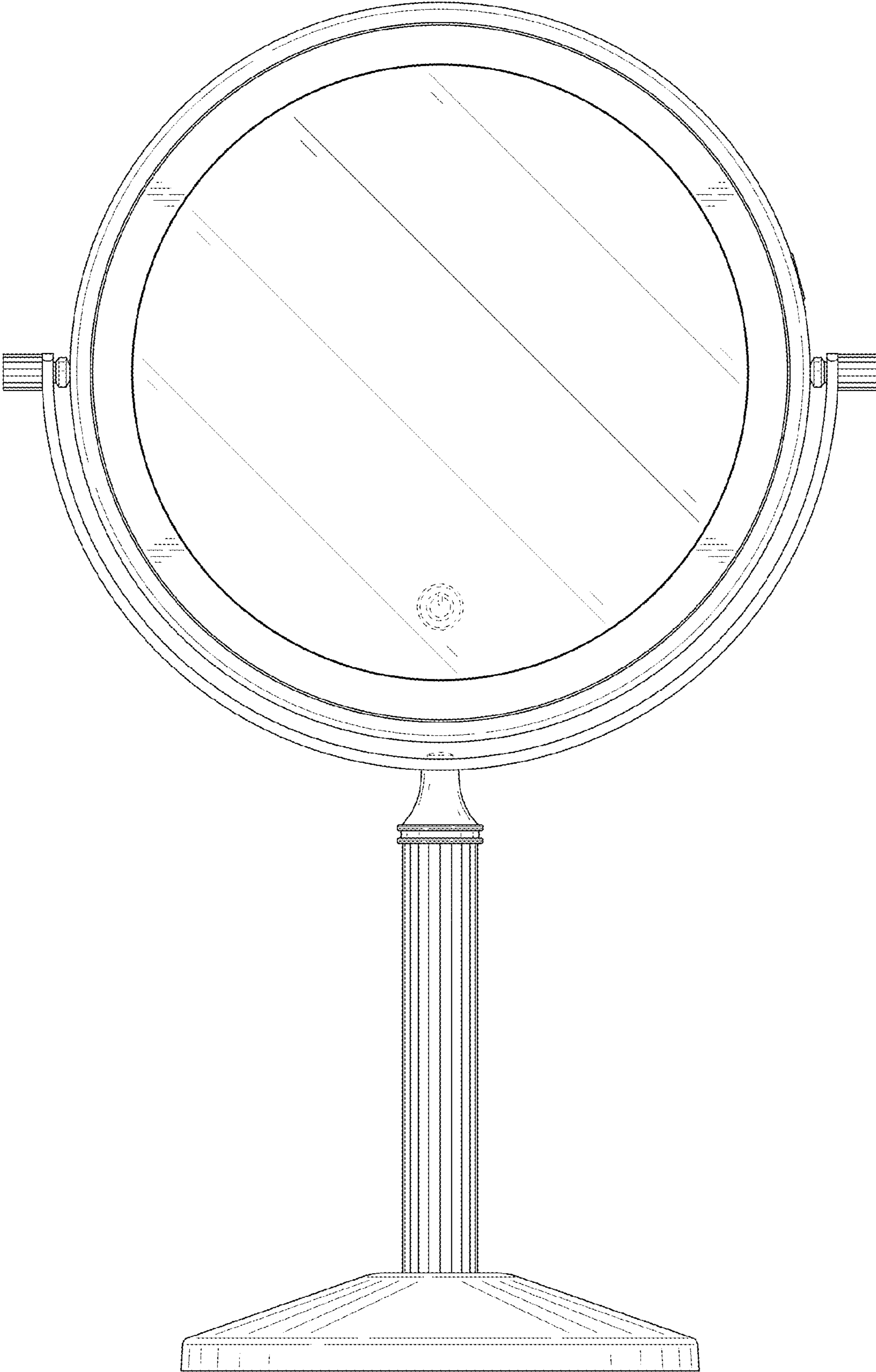


FIG. 3

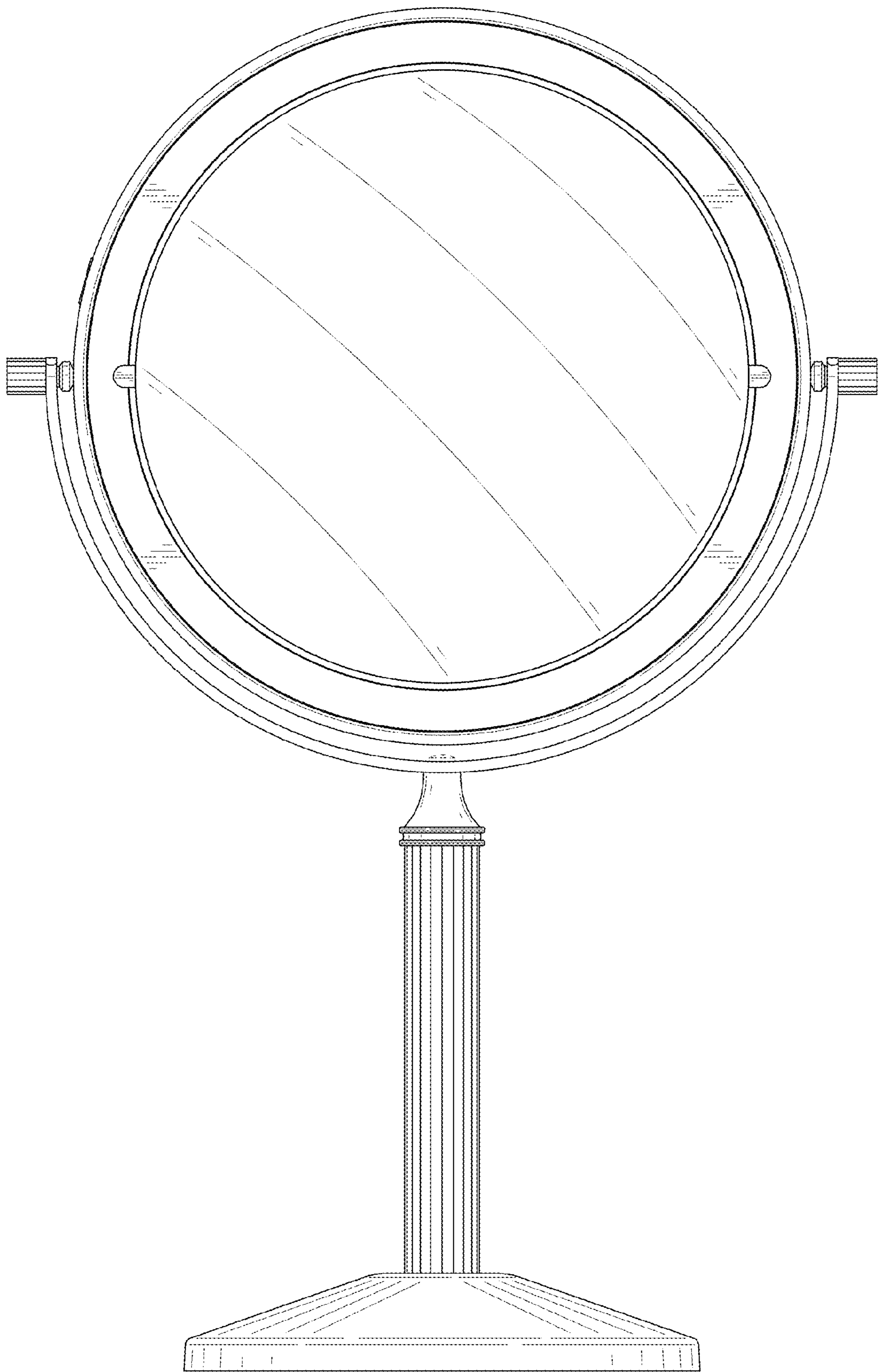


FIG. 4

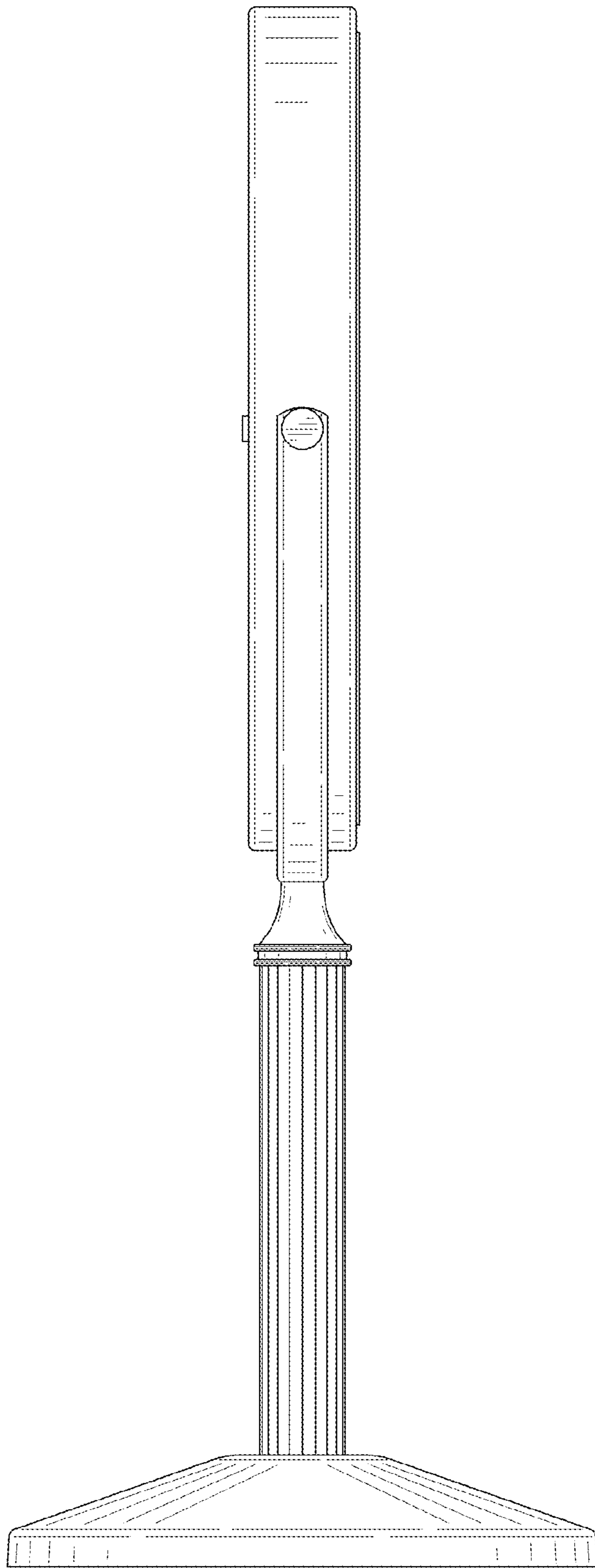


FIG. 5

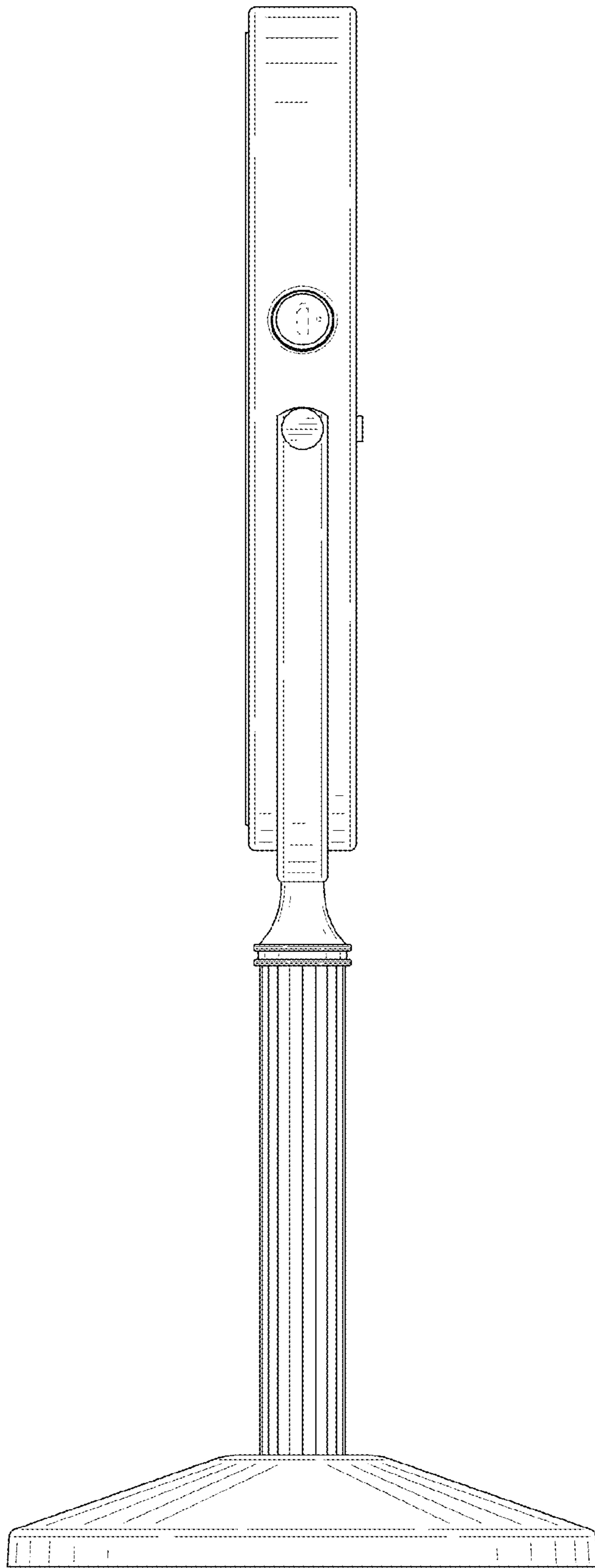


FIG. 6

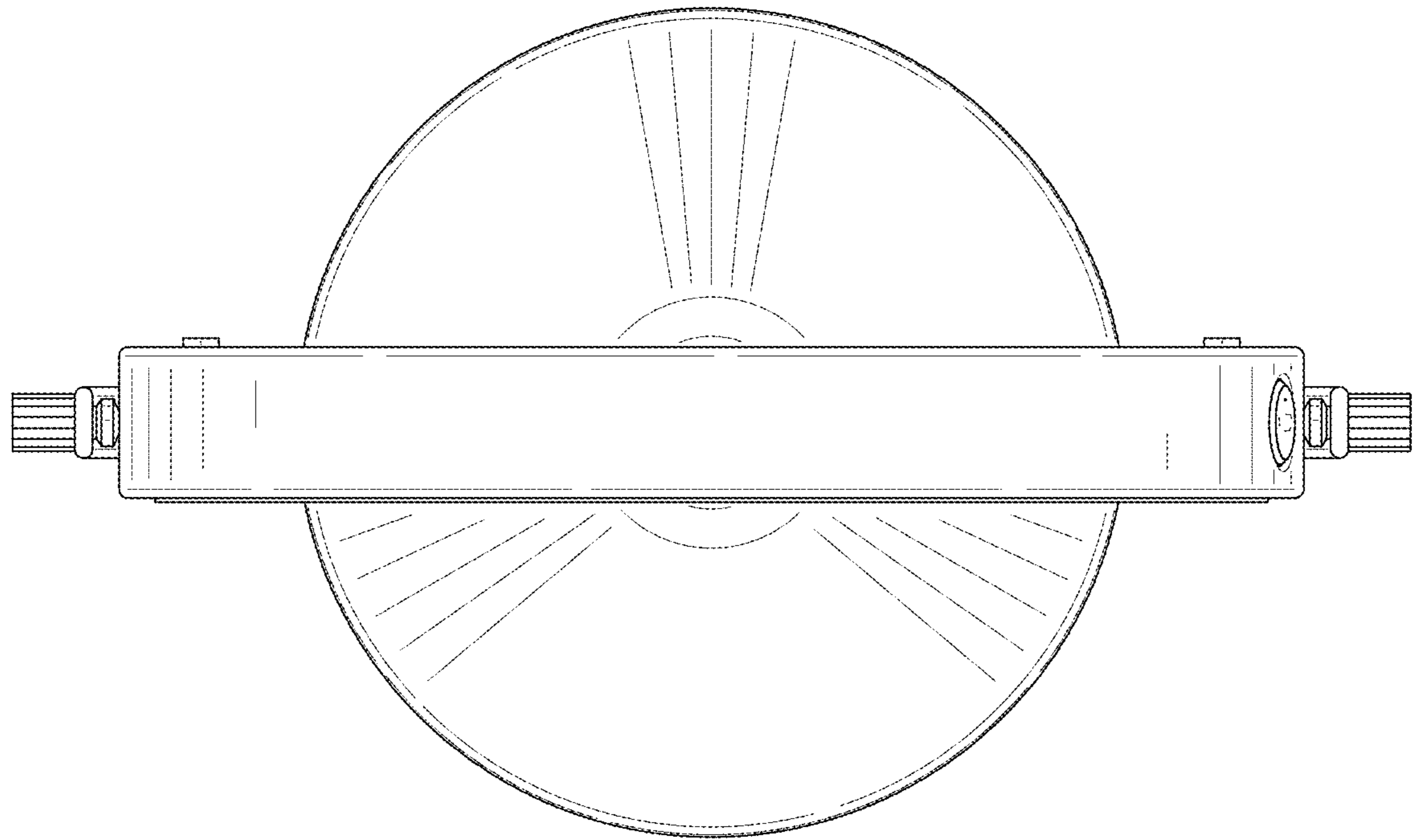


FIG. 7

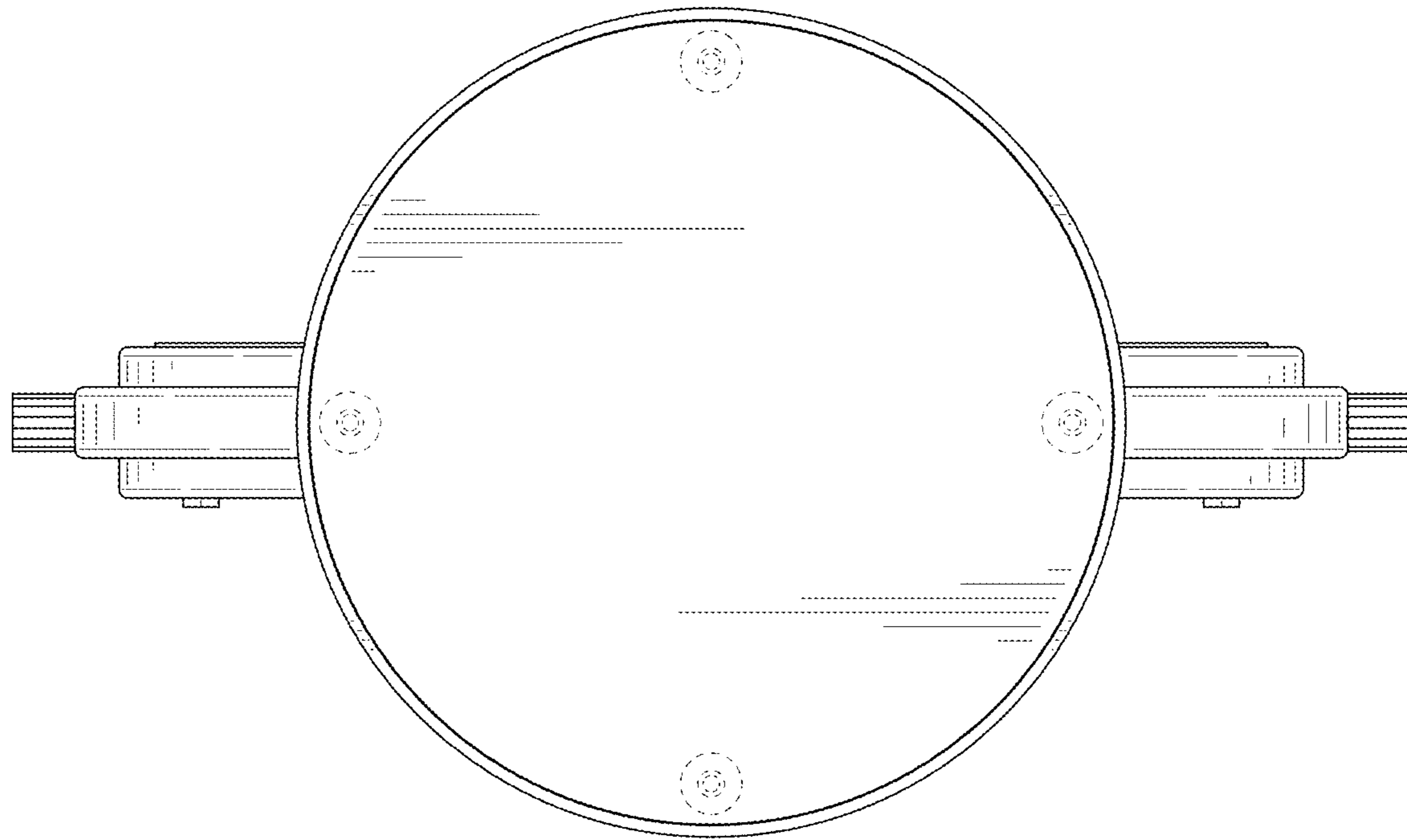


FIG. 8

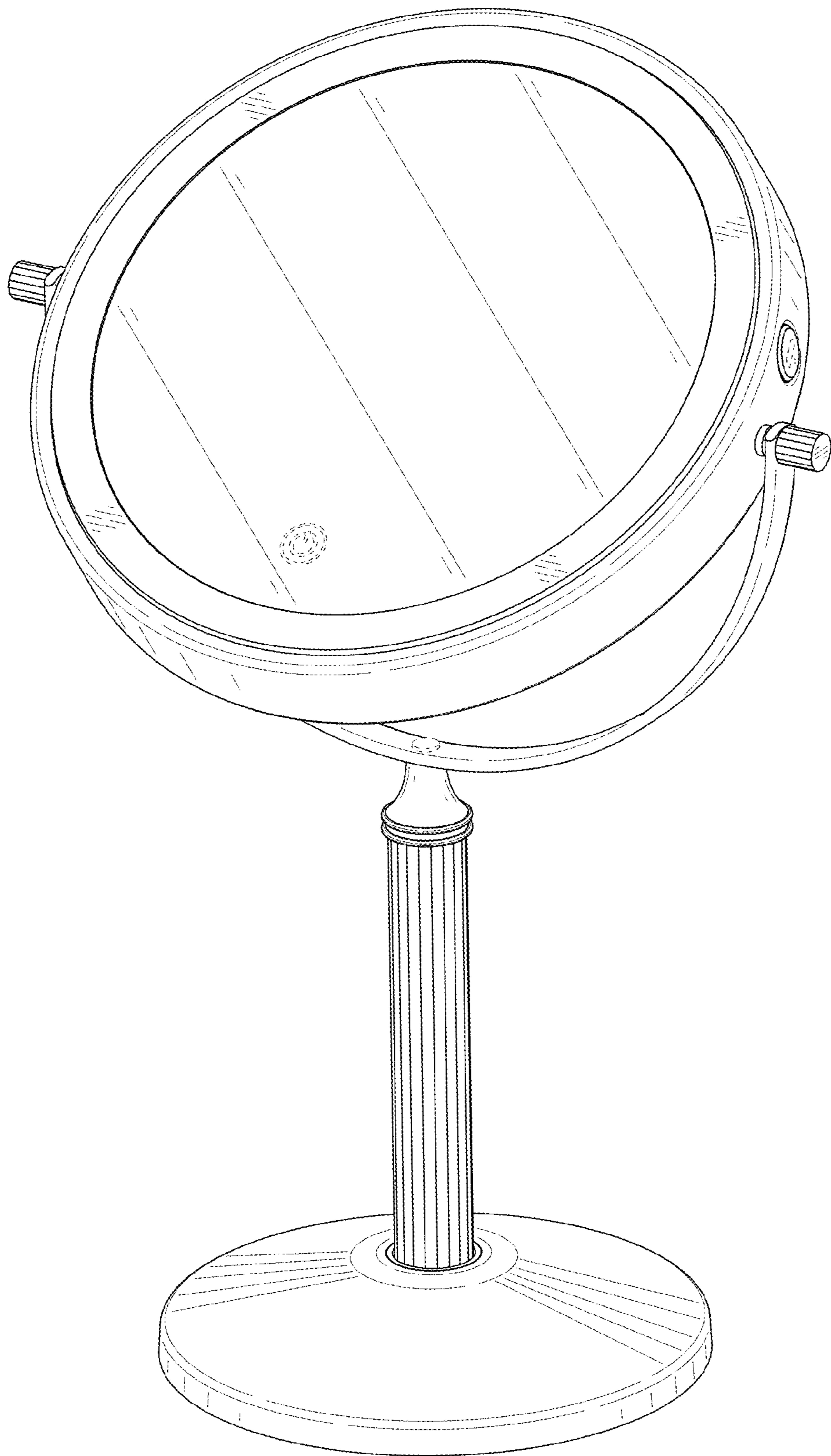


FIG. 9

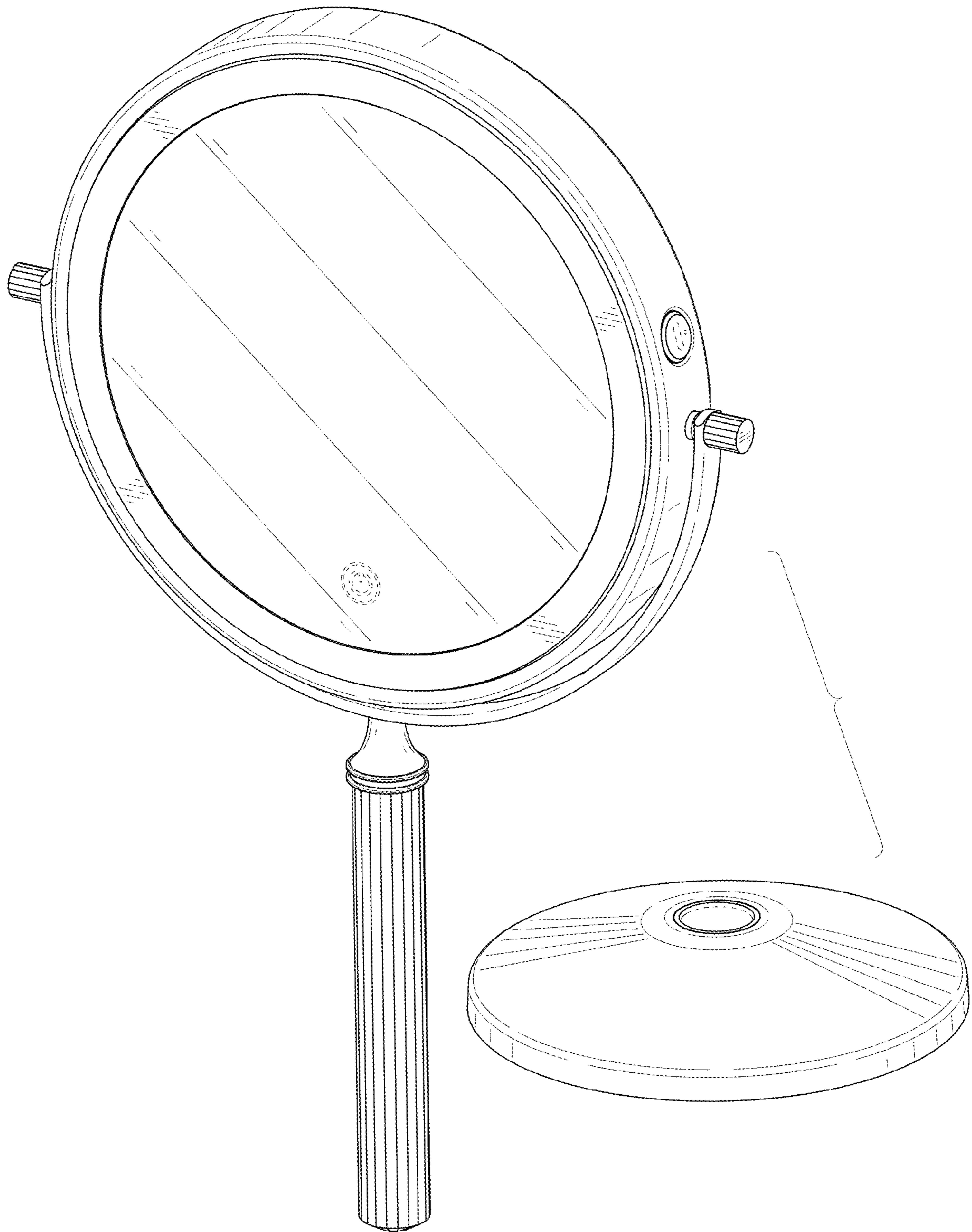


FIG. 10