



US00D946910S

(12) **United States Design Patent**  
**Allard et al.**

(10) **Patent No.:** **US D946,910 S**

(45) **Date of Patent:** **\*\* Mar. 29, 2022**

(54) **SHAVING MIRROR**

(71) Applicant: **Grohe AG**, Hemer (DE)

(72) Inventors: **Jochen Allard**, Duesseldorf (DE);  
**Michael Seum**, Duesseldorf (DE)

(73) Assignee: **Grohe AG**, Hemer (DE)

(\*\*) Term: **15 Years**

(21) Appl. No.: **29/732,361**

(22) Filed: **Apr. 23, 2020**

(30) **Foreign Application Priority Data**

Oct. 23, 2019 (EM) ..... 007081724-0020

(51) **LOC (13) Cl.** ..... **06-07**

(52) **U.S. Cl.**  
USPC ..... **D6/309**

(58) **Field of Classification Search**  
USPC ..... D6/300, 301, 302, 303, 304, 307, 308,  
D6/309, 310, 311, 312, 313, 314;  
D28/64.1-64.7; D12/187-189  
CPC ..... A45D 42/00; A45D 42/10; A45D 42/16;  
A45D 42/20; A45D 42/24; A47G 1/00;  
A47G 1/02; A47G 1/04; A47G 1/0622;  
B60J 3/0282  
See application file for complete search history.

(56) **References Cited**

**U.S. PATENT DOCUMENTS**

D225,285 S \* 11/1972 Heckathorn ..... D6/309  
D307,678 S \* 5/1990 Lookerse ..... D6/312  
D409,003 S \* 5/1999 Scavini ..... D6/312  
D670,087 S \* 11/2012 Walker ..... D6/309  
D737,059 S \* 8/2015 Tsai ..... D6/300  
D737,580 S \* 9/2015 Tsai ..... D6/300  
D751,829 S \* 3/2016 Yang ..... D6/309  
D802,942 S \* 11/2017 Nikolov ..... D6/300

D803,583 S \* 11/2017 Nikolov ..... D6/300  
D832,599 S \* 11/2018 Zadro ..... D6/309  
D839,788 S \* 2/2019 Keller ..... D12/114

(Continued)

**FOREIGN PATENT DOCUMENTS**

CN 306701504 \* 1/2021

**OTHER PUBLICATIONS**

Grohe Selection Magnifying Mirror [online], [site visited Sep. 1, 2021]. Available from internet, URL: <https://www.amazon.co.uk/Grohe-Selection-Magnifying-Mirror-Glass/dp/B082W8MR71/ref=sr\_1\_5?dchild=1&keywords=grohe+shaving+mirror&qid=1630529500&sr=8-5> (Year: 2019).\*

(Continued)

*Primary Examiner* — Cynthia Ramirez

*Assistant Examiner* — Xavier Marti-Santos

(74) *Attorney, Agent, or Firm* — Muncy, Geissler, Olds & Lowe, P.C.

(57) **CLAIM**

The ornamental design for a shaving mirror, as shown and described.

**DESCRIPTION**

FIG. 1 is a front perspective view of a shaving mirror, according to the present invention.

FIG. 2 is a front view of the shaving mirror, of FIG. 1.

FIG. 3 is a rear view of the shaving mirror, of FIG. 1.

FIG. 4 is a left side view of the shaving mirror, of FIG. 1.

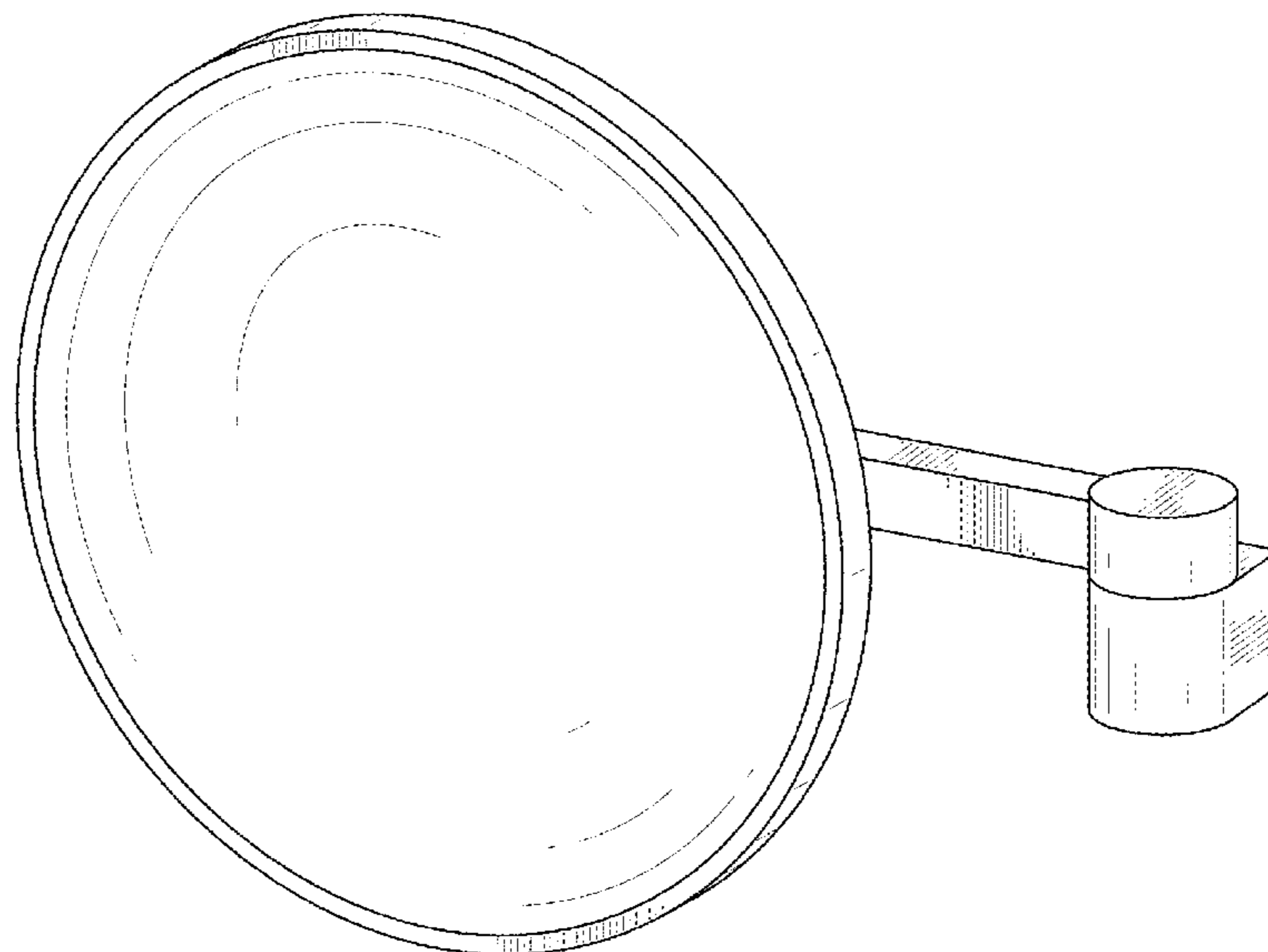
FIG. 5 is a right side view of the shaving mirror, of FIG. 1.

FIG. 6 is a top view of the shaving mirror, of FIG. 1; and,

FIG. 7 is a bottom view of the shaving mirror, of FIG. 1.

The broken lines in the figures are for the purpose of illustrating portions of the shaving mirror, which form no part of the claimed design.

**1 Claim, 7 Drawing Sheets**



(56)

**References Cited**

U.S. PATENT DOCUMENTS

D906,898 S \* 1/2021 Keller ..... D12/114  
D919,983 S \* 5/2021 Yang ..... D6/312

OTHER PUBLICATIONS

Grohe Selection Shaving Mirror [online], [site visited Sep. 1, 2021].  
Available from internet, URL: <[https://unbeatablebathrooms.co.uk/  
products/grohe-selection-shaving-mirror](https://unbeatablebathrooms.co.uk/products/grohe-selection-shaving-mirror)> (Year: 2021).\*

\* cited by examiner

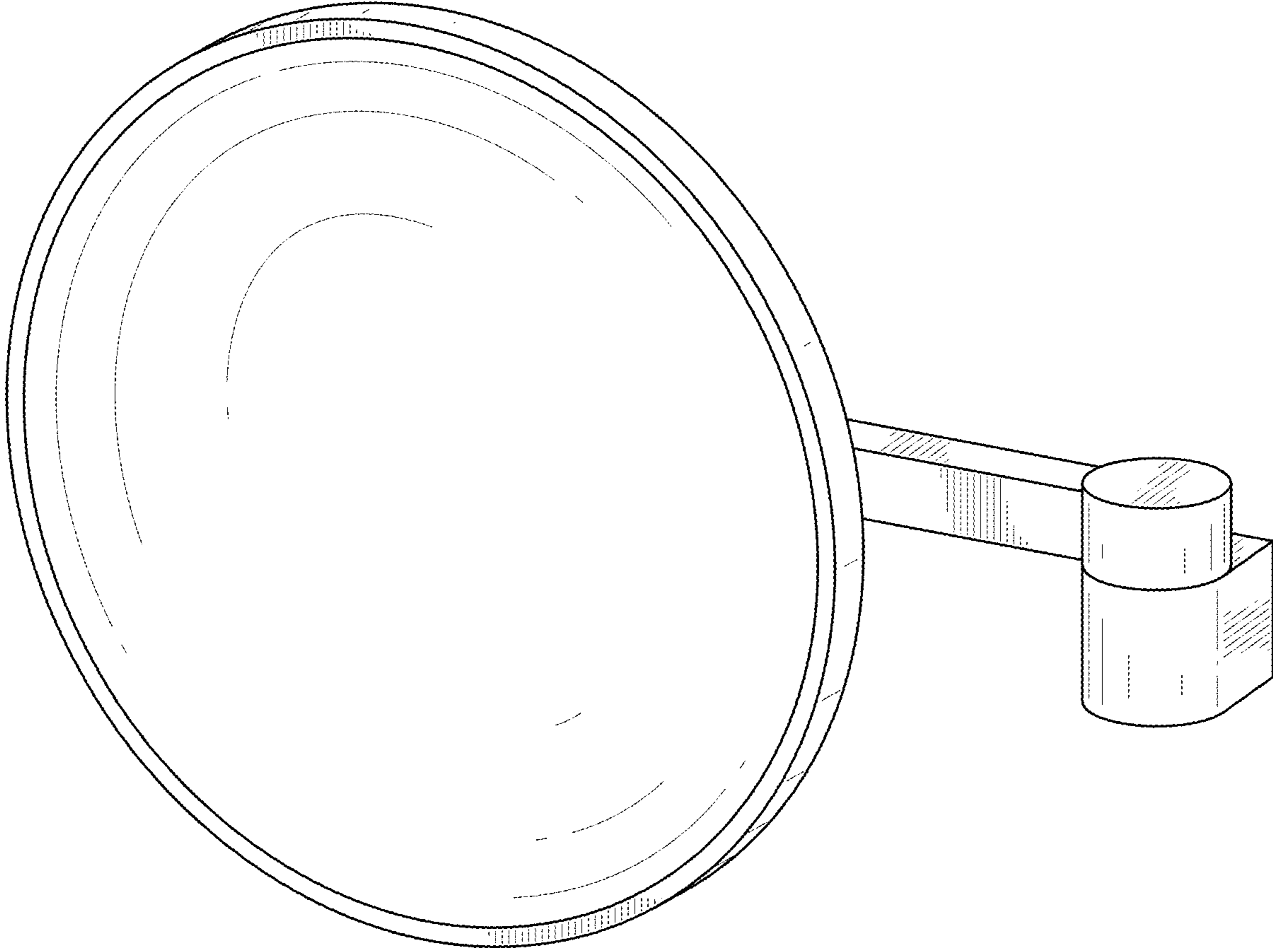


FIG. 1

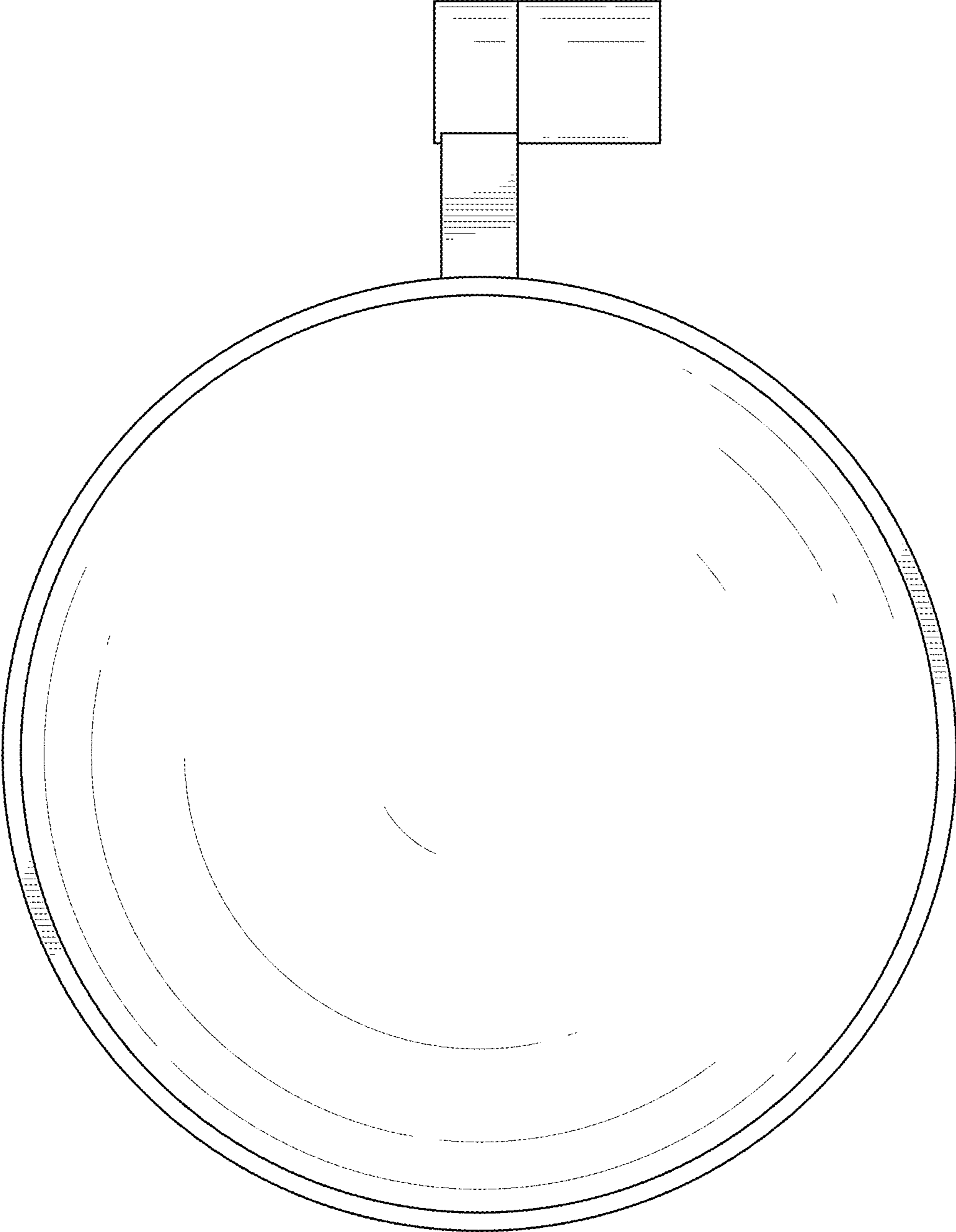


FIG.2

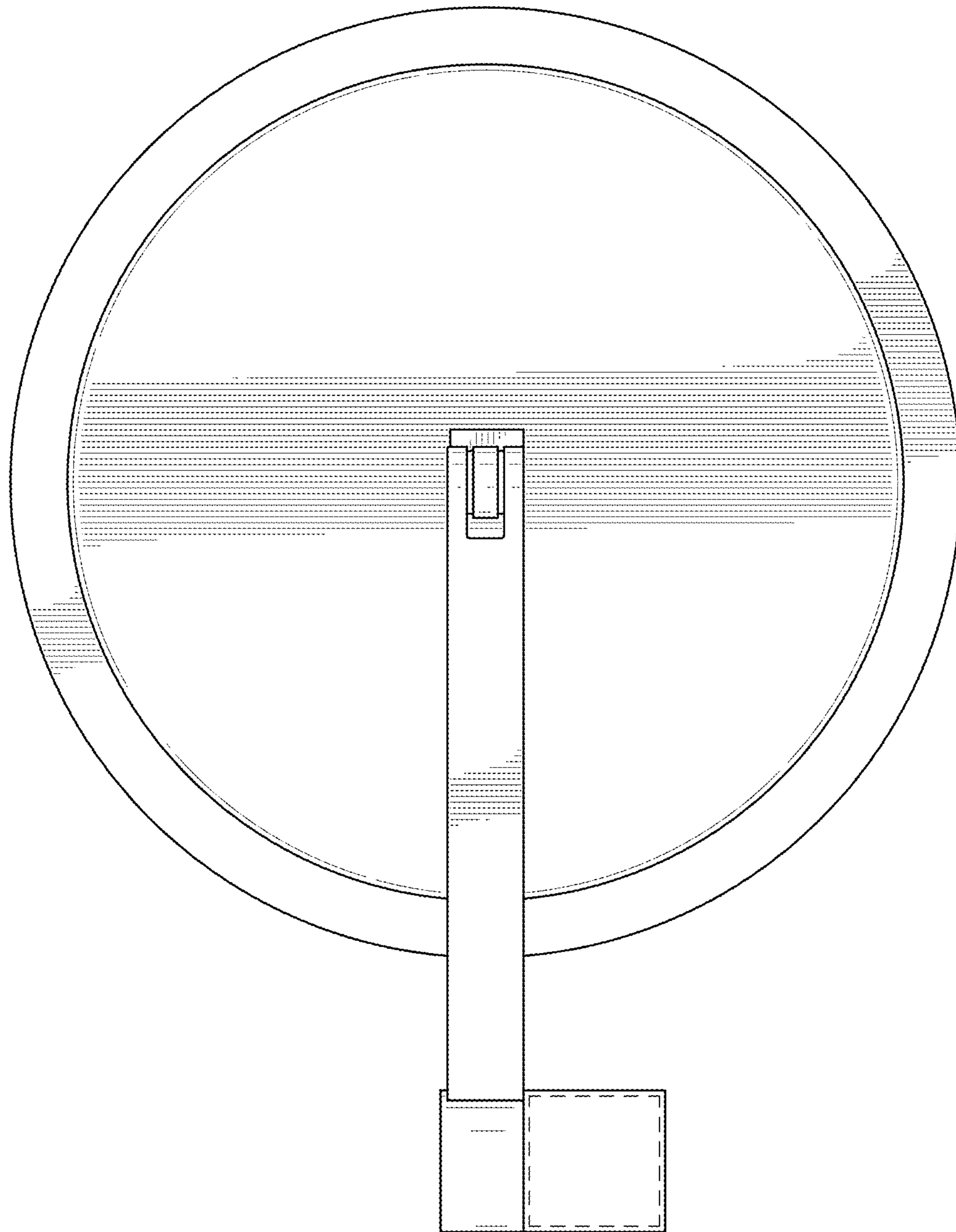


FIG.3

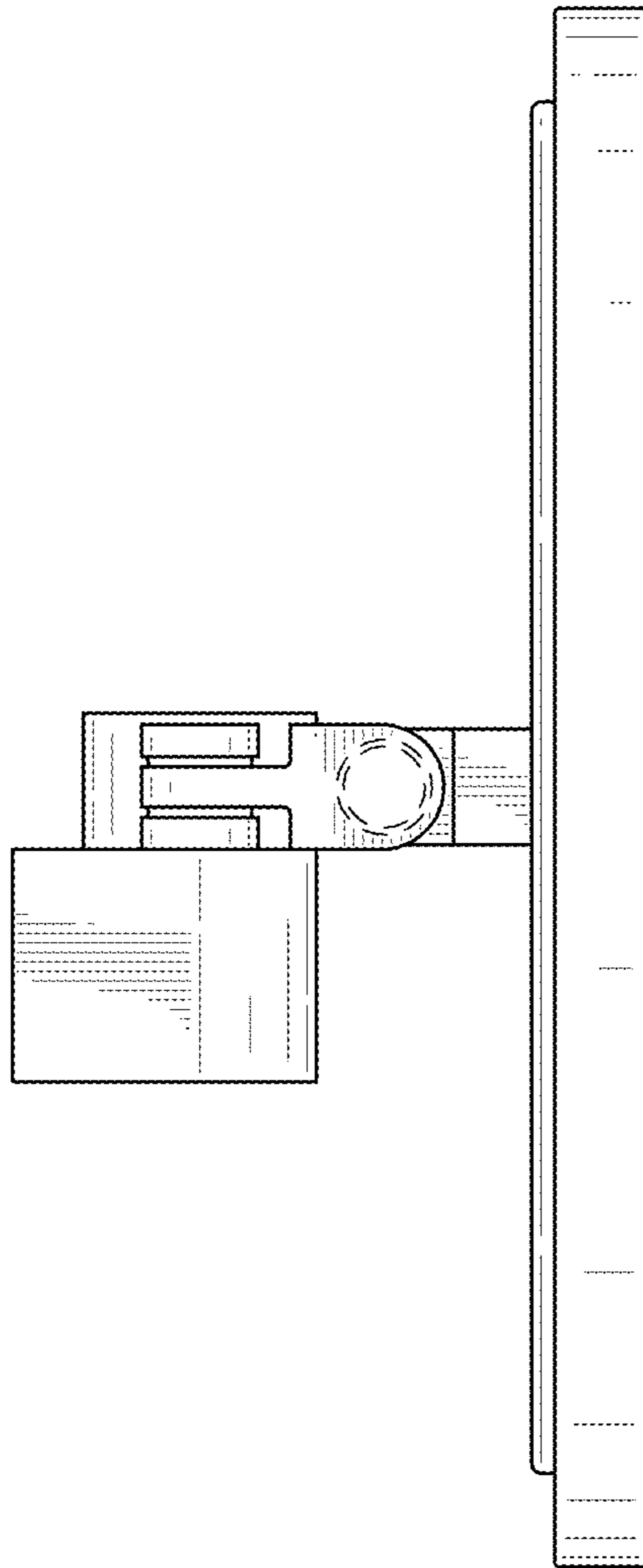


FIG.4

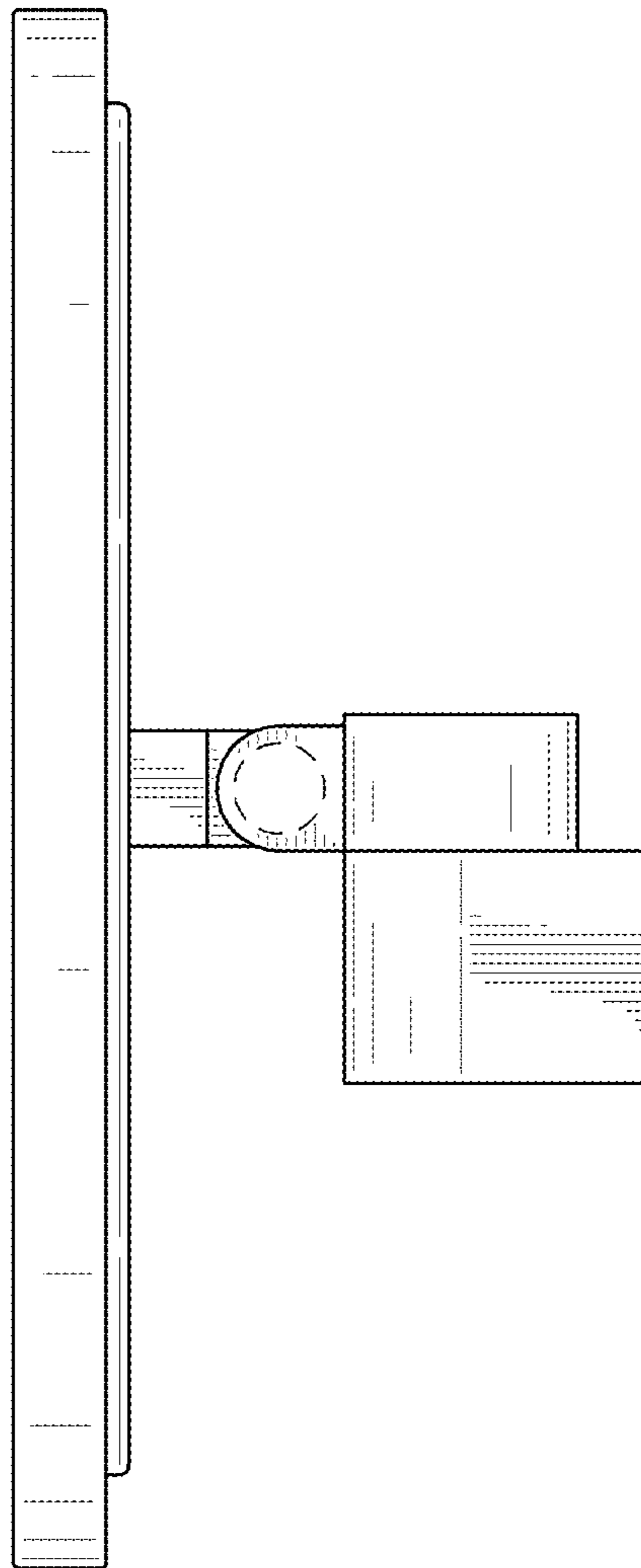


FIG.5

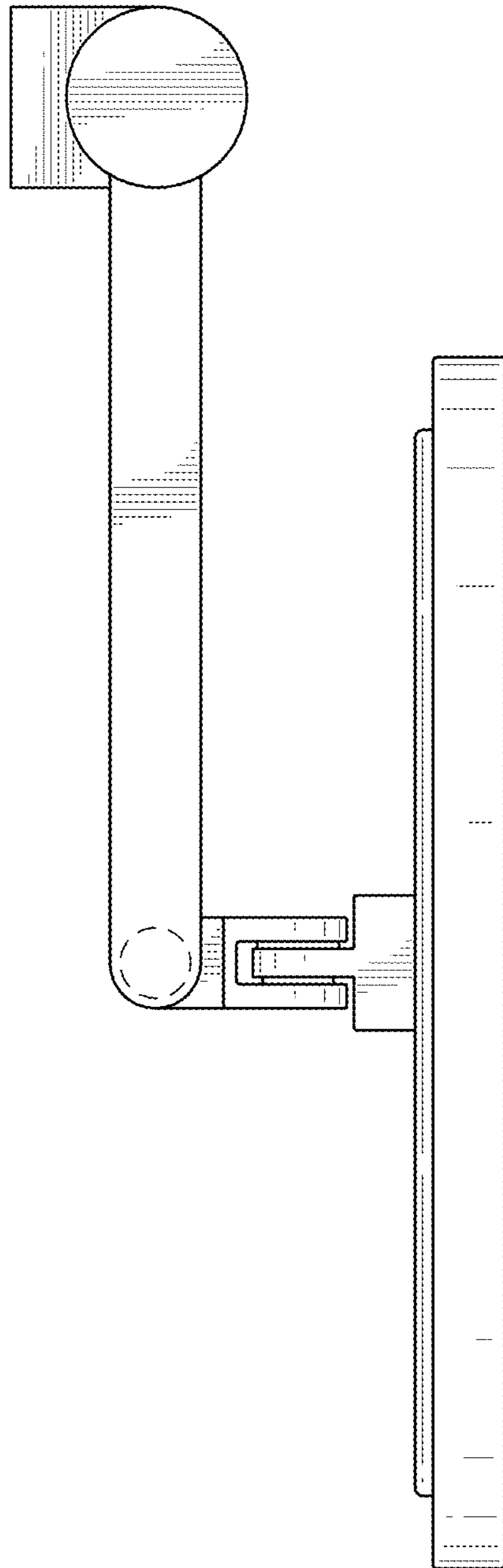


FIG. 6



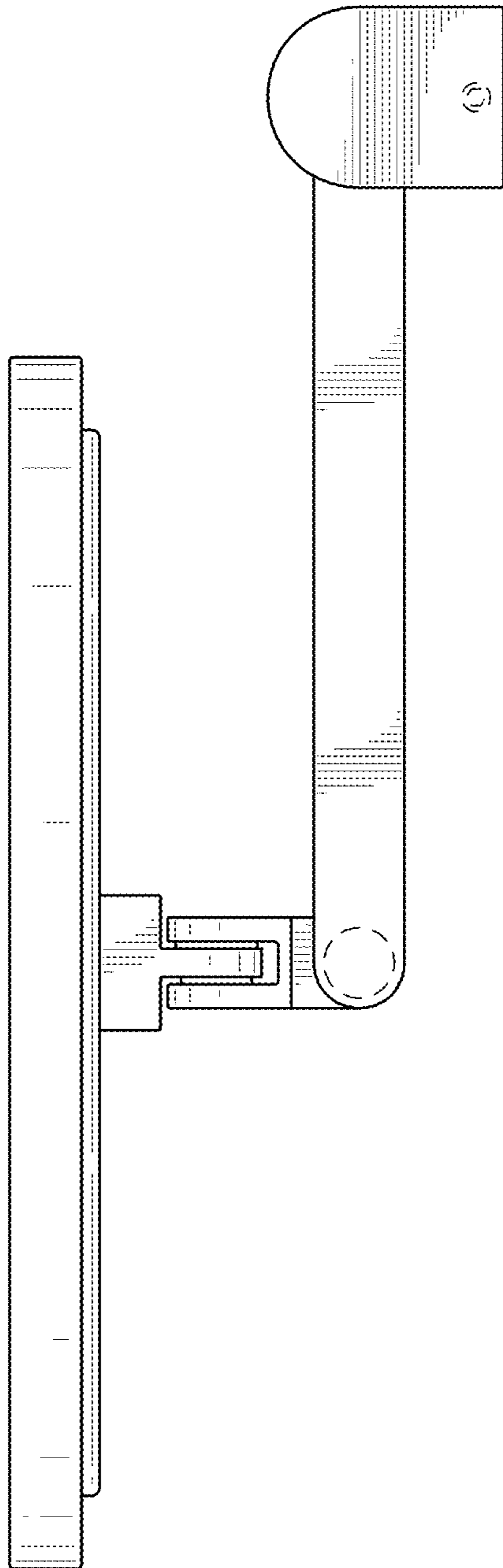


FIG. 7