



US00D946909S

(12) **United States Design Patent**
Yu

(10) **Patent No.:** **US D946,909 S**
(45) **Date of Patent:** **** Mar. 29, 2022**

(54) **MIRROR**

(71) Applicant: **Xiaoyan Yu**, Shenzhen (CN)

(72) Inventor: **Xiaoyan Yu**, Shenzhen (CN)

(**) Term: **15 Years**

(21) Appl. No.: **29/779,526**

(22) Filed: **Apr. 20, 2021**

(51) **LOC (13) Cl.** **06-07**

(52) **U.S. Cl.**
USPC **D6/302; D6/310**

(58) **Field of Classification Search**
USPC **D6/300-314**
CPC .. **A47G 1/00; A47G 2001/002; F21V 33/004;**
A45D 42/10
See application file for complete search history.

(56) **References Cited**

U.S. PATENT DOCUMENTS

D825,205 S	*	8/2018	Liu	D6/310
D833,762 S	*	11/2018	Liu	D6/310
D859,011 S	*	9/2019	Liu	D6/310
D865,374 S	*	11/2019	Yang	D6/310
D874,836 S	*	2/2020	Li	D6/312
D882,965 S	*	5/2020	Liu	D6/310
D895,986 S	*	9/2020	Yang	D6/312
D902,607 S		11/2020	Liu		

D905,440 S	*	12/2020	Yang	D6/310
D905,442 S		12/2020	Yang		
D907,375 S	*	1/2021	Liang	D6/312
D935,792 S	*	11/2021	Li	D6/310

FOREIGN PATENT DOCUMENTS

CN 306750551 * 8/2021

* cited by examiner

Primary Examiner — Deanna L Pratt

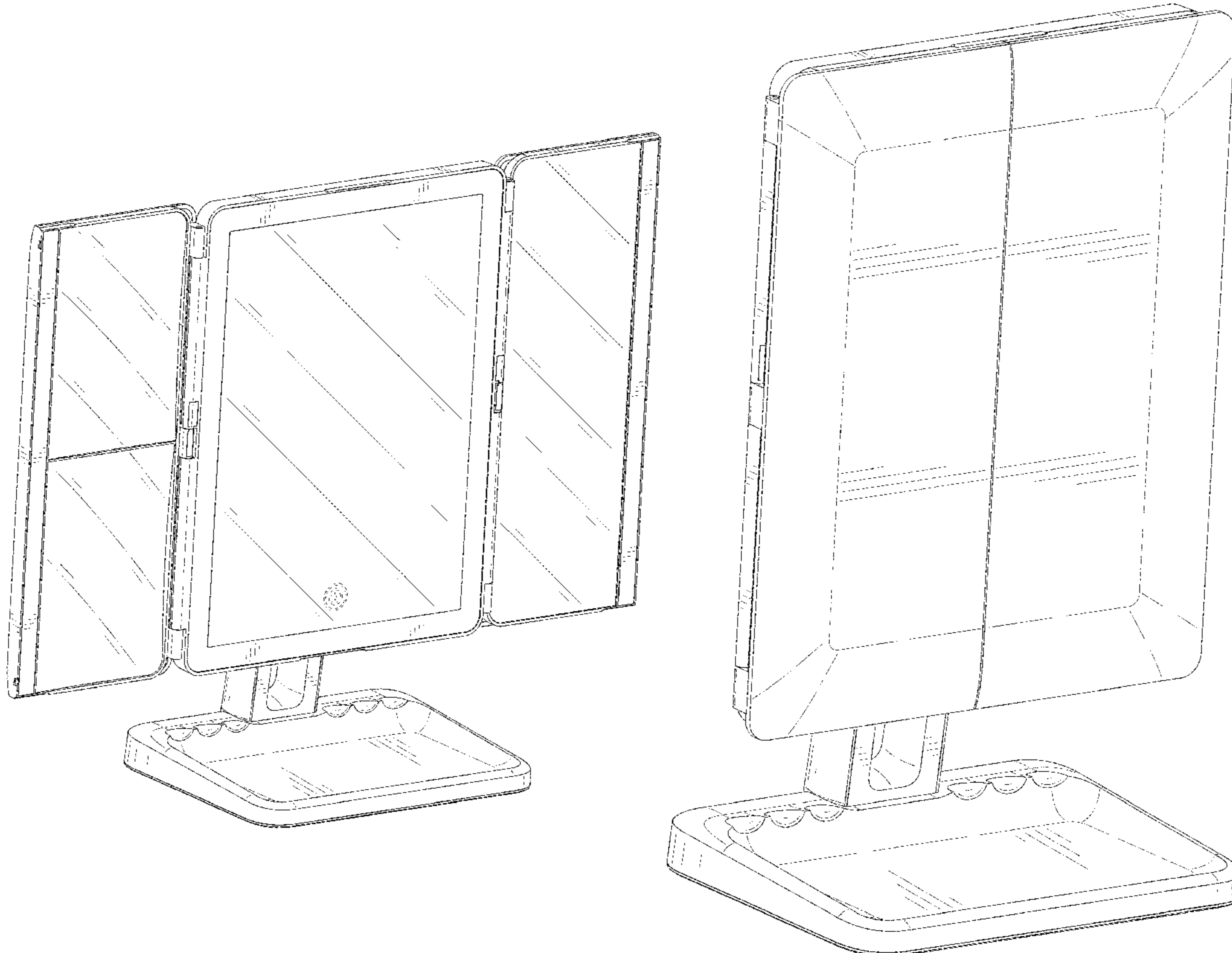
(57) **CLAIM**

The ornamental design for a mirror, as shown and described.

DESCRIPTION

FIG. 1 is a perspective view of a mirror showing my new design;
 FIG. 2 is another perspective view thereof;
 FIG. 3 is a front elevational view thereof;
 FIG. 4 is a rear elevational view thereof;
 FIG. 5 is a left side elevational view thereof;
 FIG. 6 is a right side elevational view thereof;
 FIG. 7 is a top plan view thereof;
 FIG. 8 is a bottom plan view thereof; and,
 FIG. 9 is a perspective view of the mirror where the mirror is in a configuration of use.
 The broken lines in the drawings depict portions of the mirror that form no part of the claimed design.

1 Claim, 9 Drawing Sheets



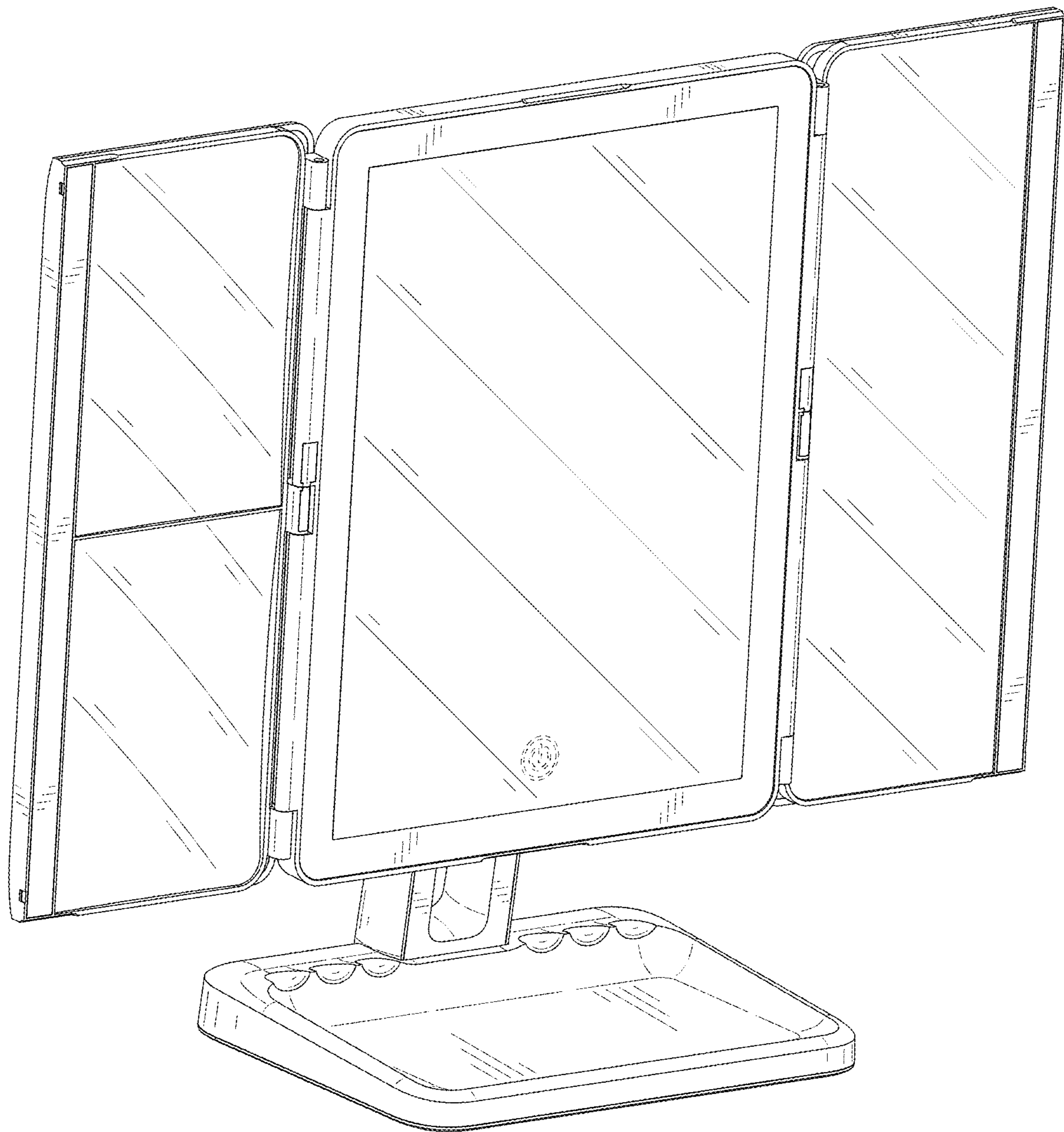


FIG. 1

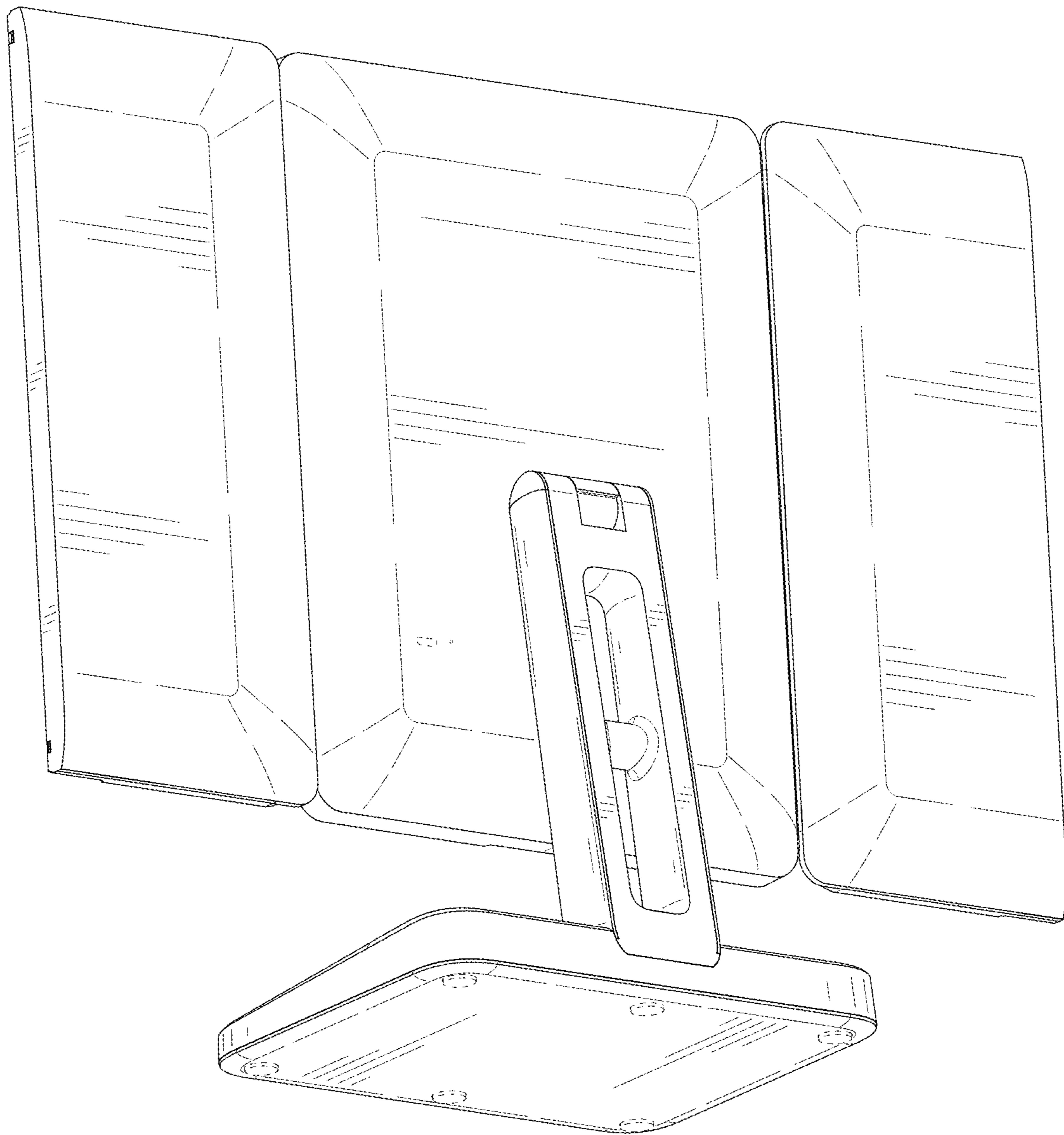


FIG. 2

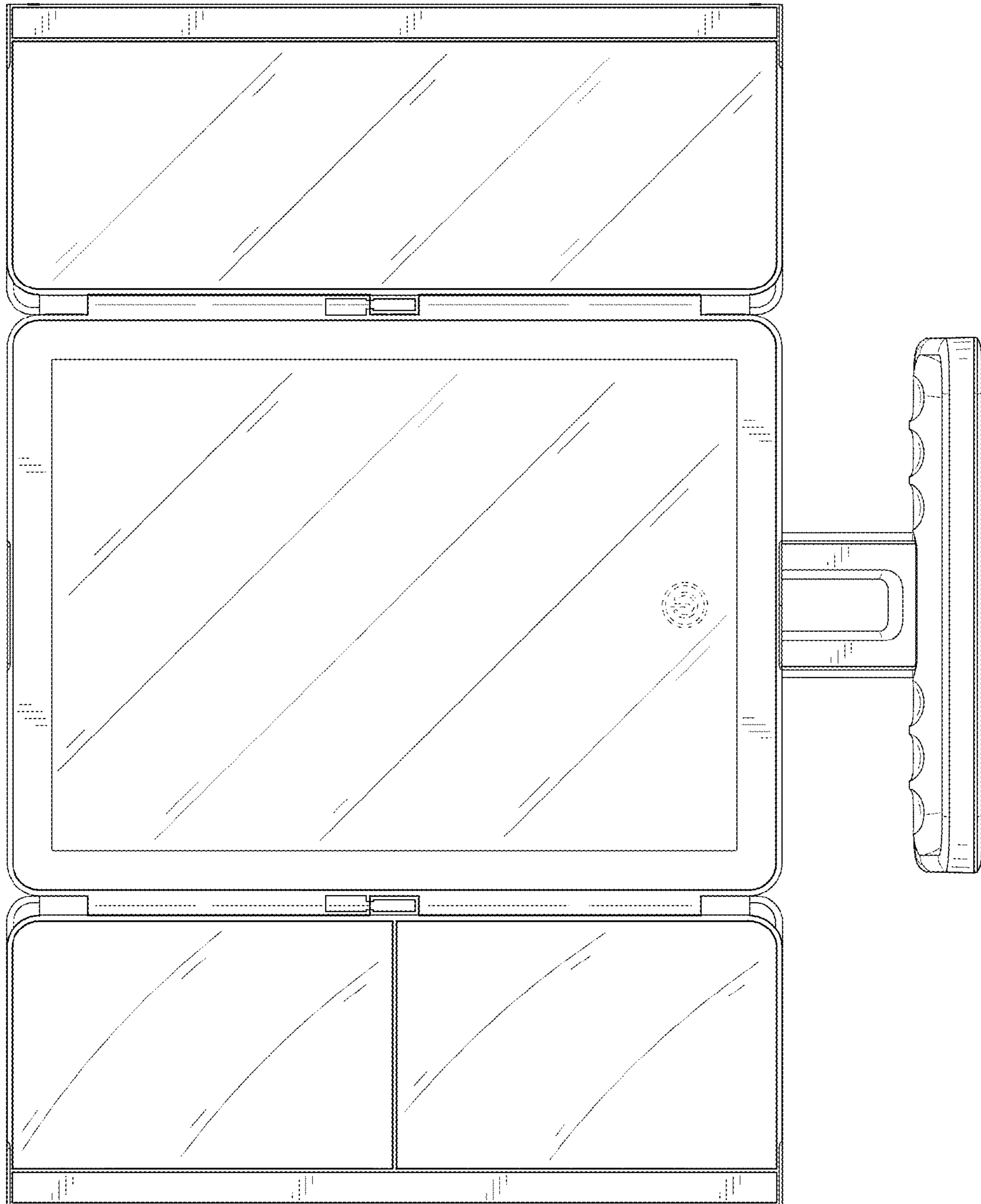


FIG. 3

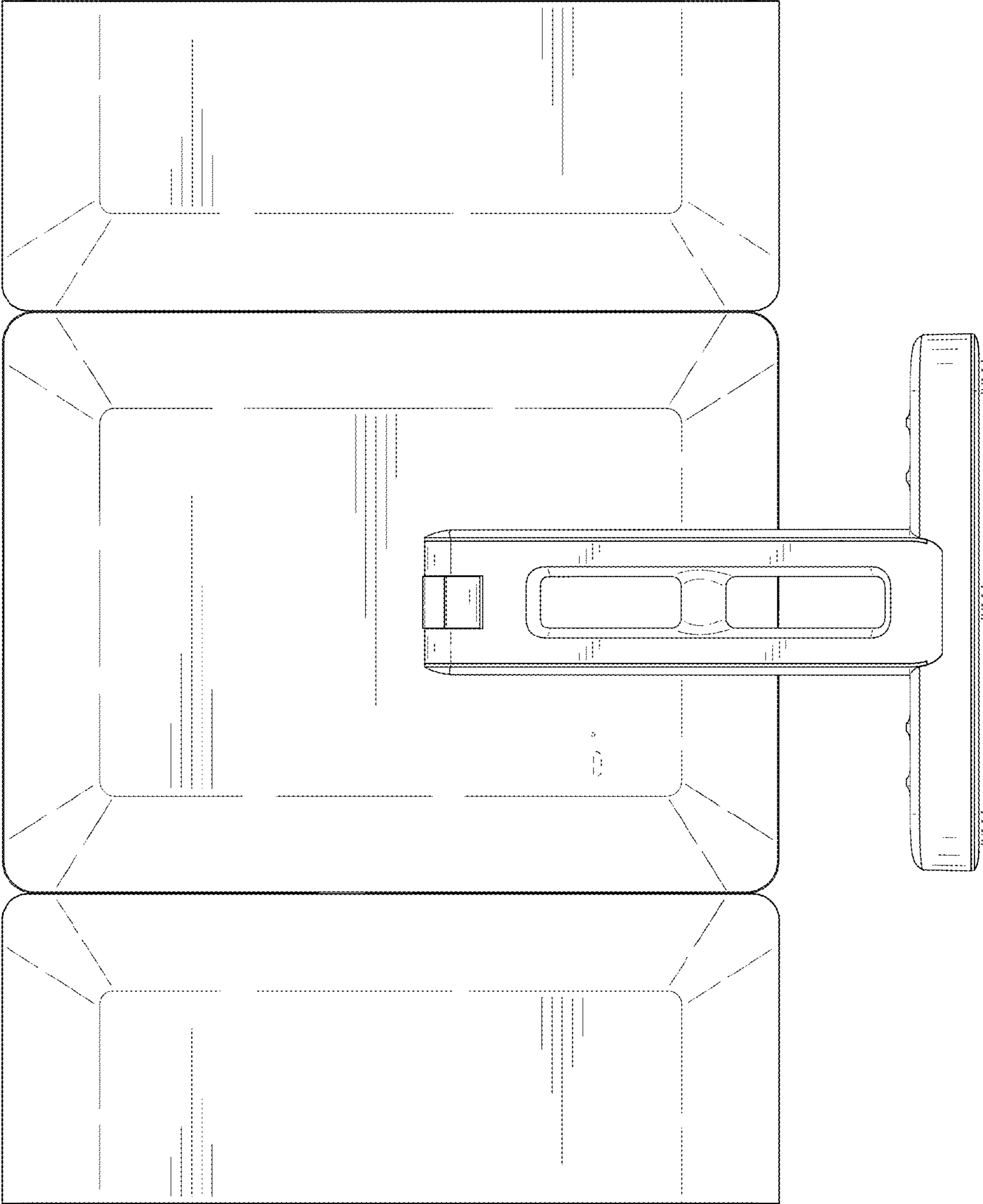


FIG. 4

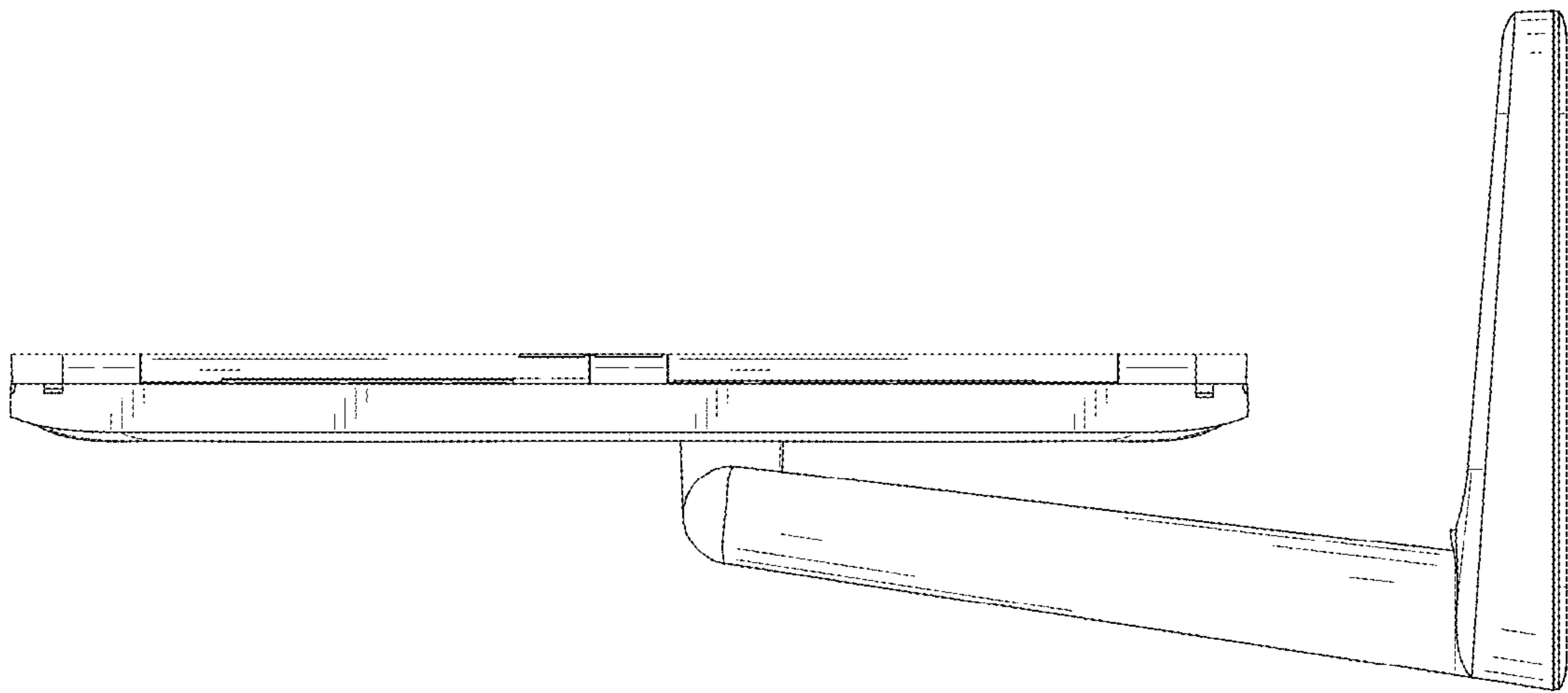


FIG. 5

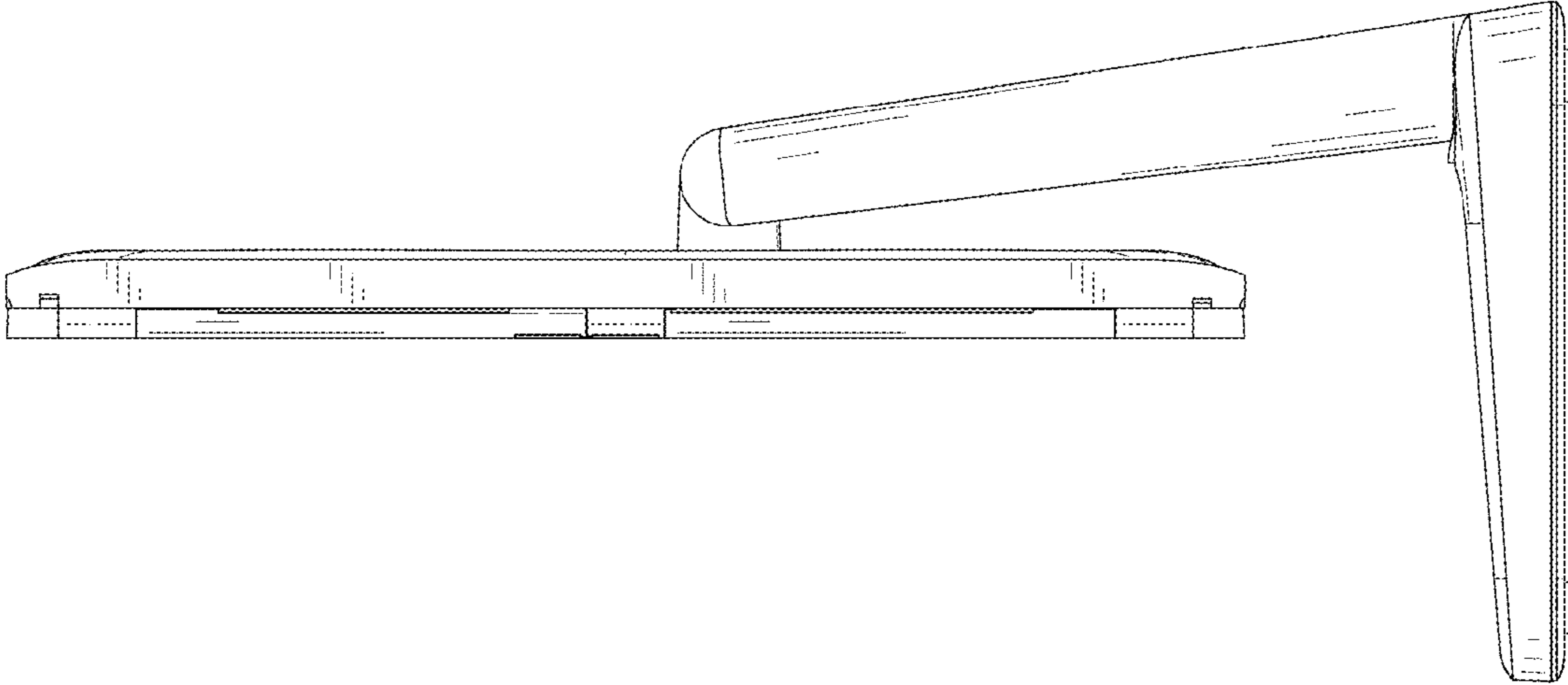


FIG. 6

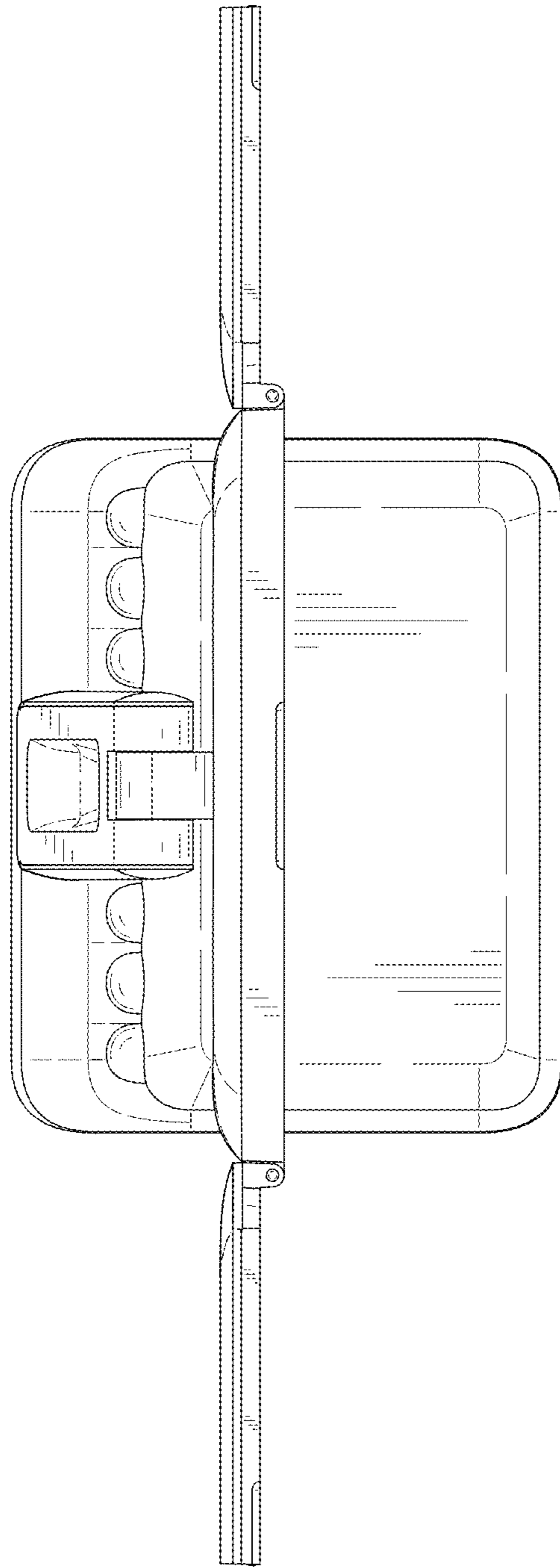


FIG. 7

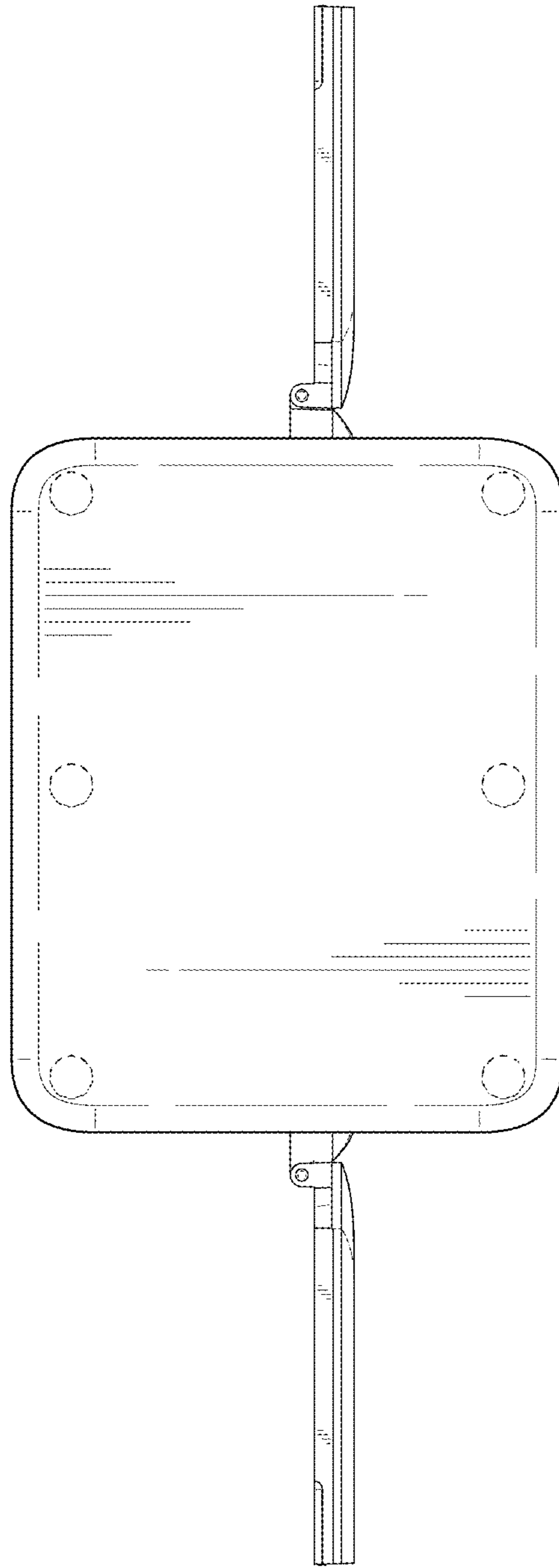


FIG. 8

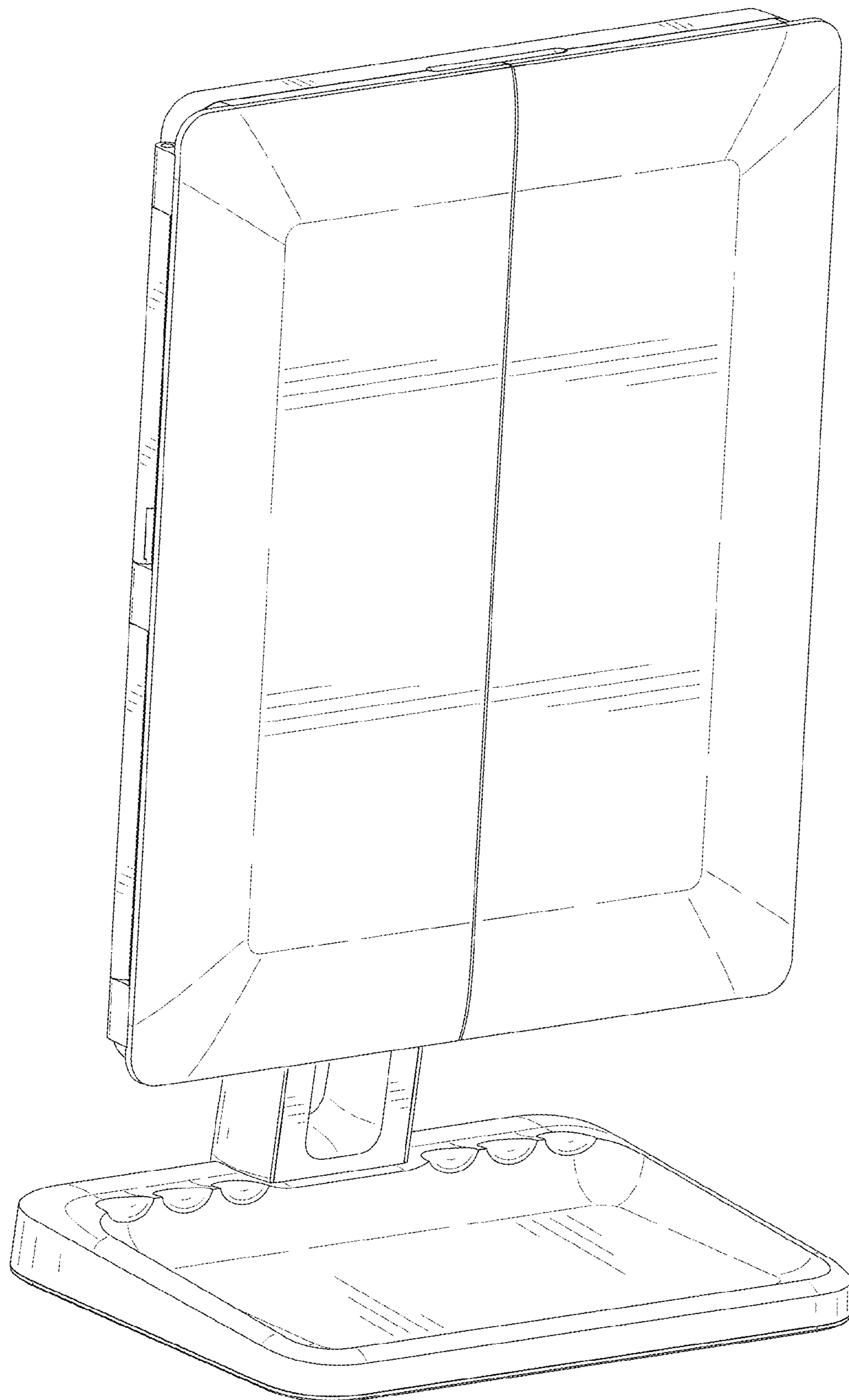


FIG. 9