



US00D946908S

(12) **United States Design Patent** (10) **Patent No.:** **US D946,908 S**
Xu (45) **Date of Patent:** **** Mar. 29, 2022**

(54) **MIRROR**

FOREIGN PATENT DOCUMENTS

(71) Applicant: **AN HUI MAO XIN HOUSEHOLD CRAFTS CO., LTD**, Suzhou (CN)

GB 6017530 * 8/2017

(72) Inventor: **Yan Xu**, Yiwu (CN)

(**) Term: **15 Years**

(21) Appl. No.: **29/778,326**

(22) Filed: **Apr. 13, 2021**

(51) **LOC (13) Cl.** **06-07**

(52) **U.S. Cl.**
USPC **D6/300**

(58) **Field of Classification Search**
USPC D6/300, 301, 302, 303, 304, 307, 308,
D6/309, 310, 311, 312, 313, 314;
D28/64.1-64.7; D16/135
CPC A45D 42/00; A45D 42/10; A45D 42/16;
A45D 42/20; A45D 42/24; A47G 1/00;
A47G 1/02; A47G 1/04; A47G 1/0622;
B60J 3/0282

See application file for complete search history.

(56) **References Cited**

U.S. PATENT DOCUMENTS

D60,485 S *	2/1922	Butler	D6/300
D329,753 S *	9/1992	Delafield	D6/311
D474,344 S *	5/2003	Aguilar	D6/300
D543,366 S *	5/2007	Weatherly	D6/312
D546,073 S	7/2007	Mischel, Jr. et al.		
D572,911 S *	7/2008	Donat	D6/300
D579,671 S	11/2008	Mischel, Jr.		
D669,703 S *	10/2012	Wu	D6/686
D704,939 S	5/2014	Mischel, Jr.		
D754,979 S *	5/2016	Starck	D6/300
D801,703 S *	11/2017	Robertson	D6/300
D807,648 S *	1/2018	Gilad	D6/300
D917,895 S *	5/2021	Xu	D6/300
2017/0202374 A1 *	7/2017	Kressin	A47G 1/02

OTHER PUBLICATIONS

Kulkarni Beveled Frameless Magnifying Full Length Mirror [online], [site visited Nov. 18, 2021]. Available from internet, URL:<<https://www.wayfair.com/decor-pillows/pdp/mercer41-kulkarni-beveled-frameless-magnifying-full-length-mirror-w004287361.html>> (Year: 2020).*

(Continued)

Primary Examiner — George A Bugg
Assistant Examiner — Xavier Marti-Santos

(57) **CLAIM**

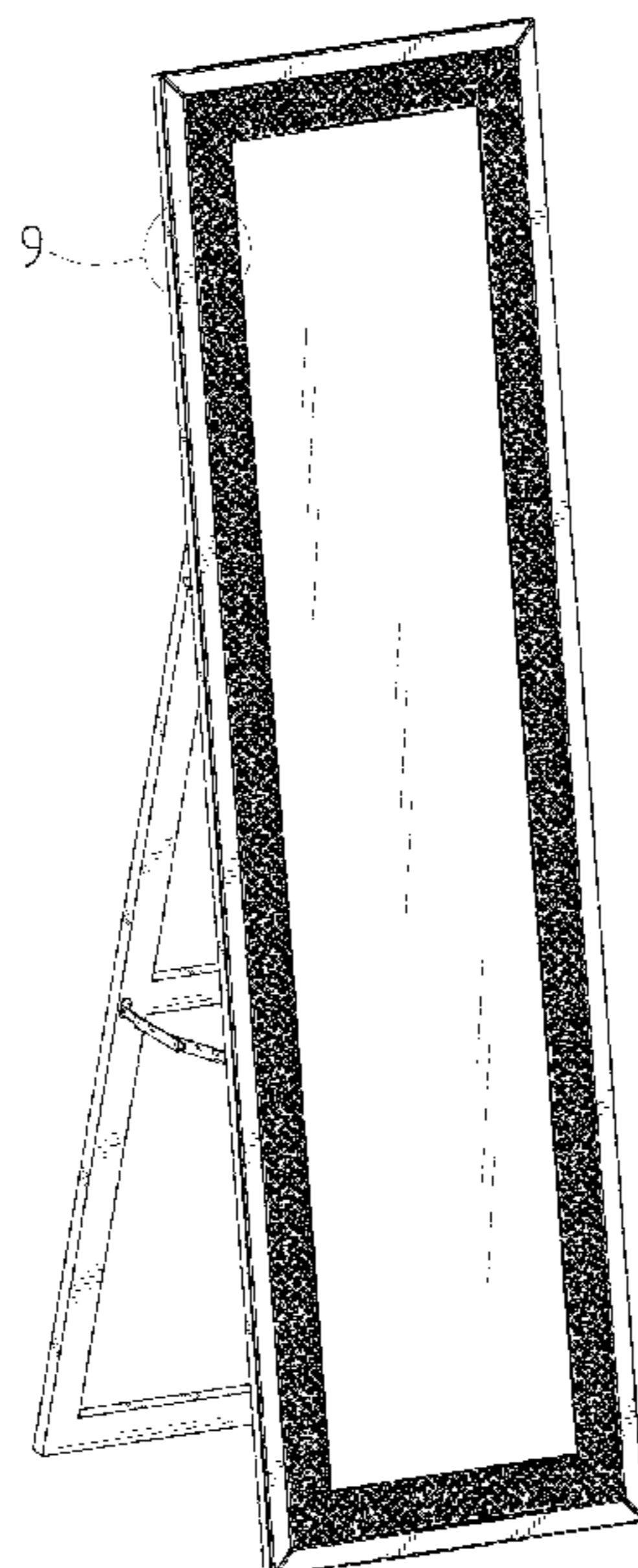
The ornamental design for a mirror, as shown and described.

DESCRIPTION

FIG. 1 is a first perspective view of a mirror showing my new design;
FIG. 2 is a second perspective view thereof;
FIG. 3 is a front view thereof;
FIG. 4 is a back view thereof;
FIG. 5 is a left side view thereof;
FIG. 6 is a right side view thereof;
FIG. 7 is a top view thereof;
FIG. 8 is a bottom view thereof;
FIG. 9 is an enlarged view of the selected portion in FIG. 1; and,
FIG. 10 is an enlarged view of the selected portion in FIG. 2.

The broken lines shown in the drawings depict portions of the mirror in which the design is embodied that form no part of the claimed design. The dash-dot broken lines in the figures are demarcating enlarged areas and form no part of the claimed design.

1 Claim, 10 Drawing Sheets



(56)

References Cited

OTHER PUBLICATIONS

Cheval Mirror [online], [site visited Nov. 18, 2021]. Available from internet, URL:<<https://www.bestpricefurnitureflorida.com/collections/accessories-mirrors/products/cheval-mirror-4>> (Year: 2021).*

Benjara Faux Crystal Accented Wooden Framed Floor Mirror [online], [site visited Nov. 18, 2021]. Available from internet, URL:<<https://www.amazon.com/Benjara-Crystal-Accented-Wooden-Support/dp/B07RT57C54>> (Year: 2019).*

* cited by examiner

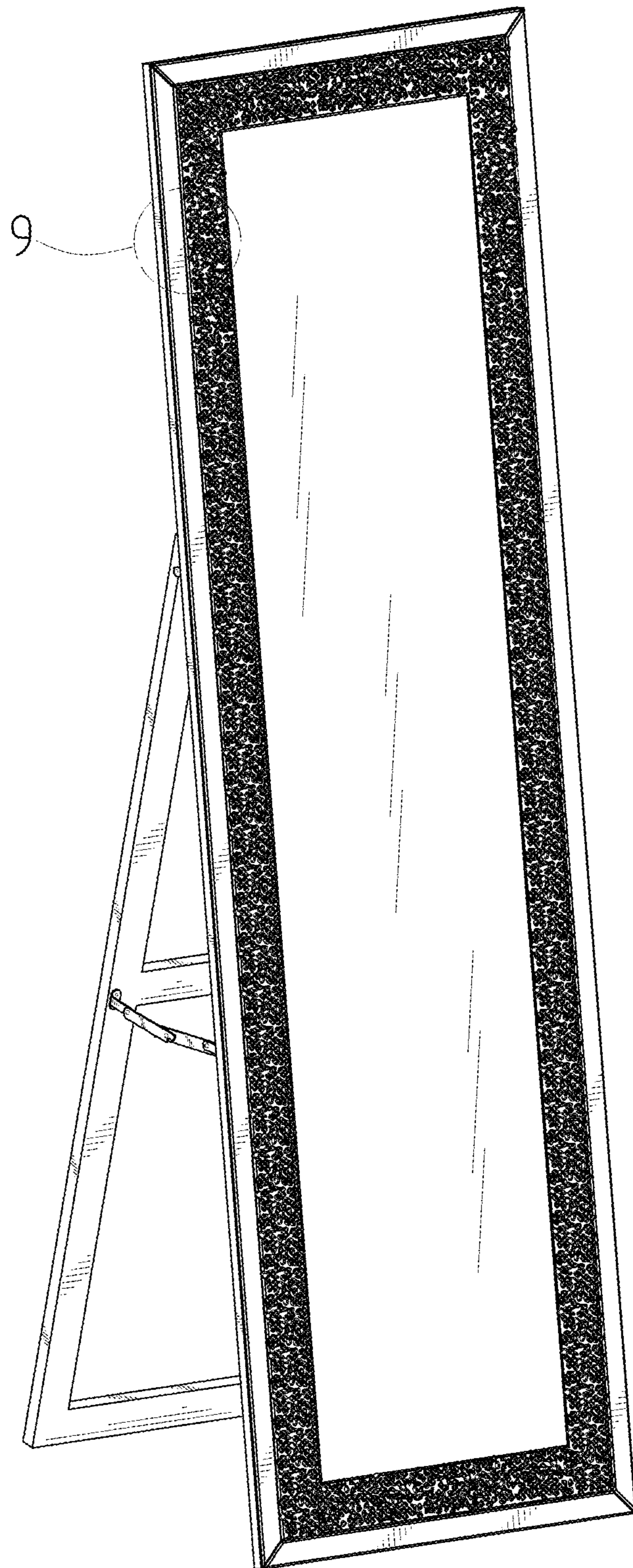


FIG. 1

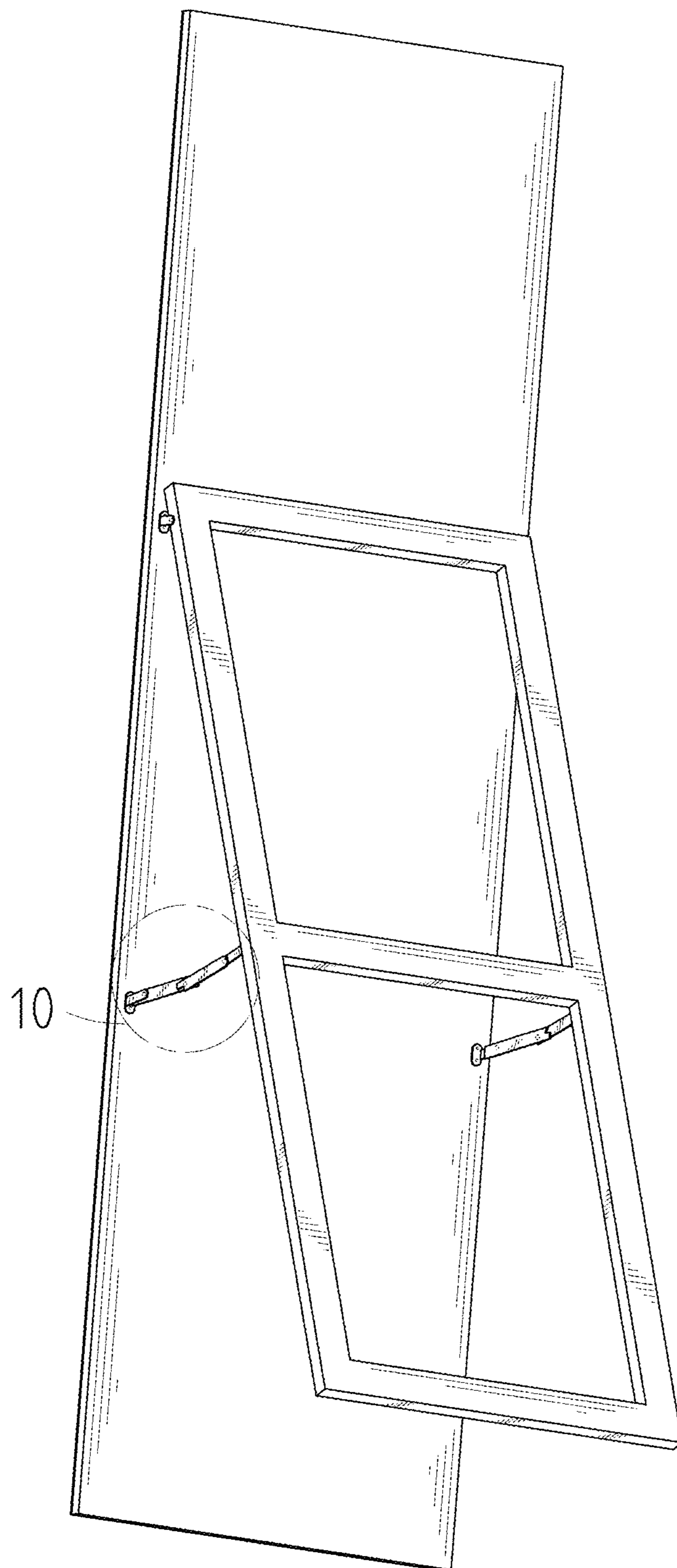


FIG. 2

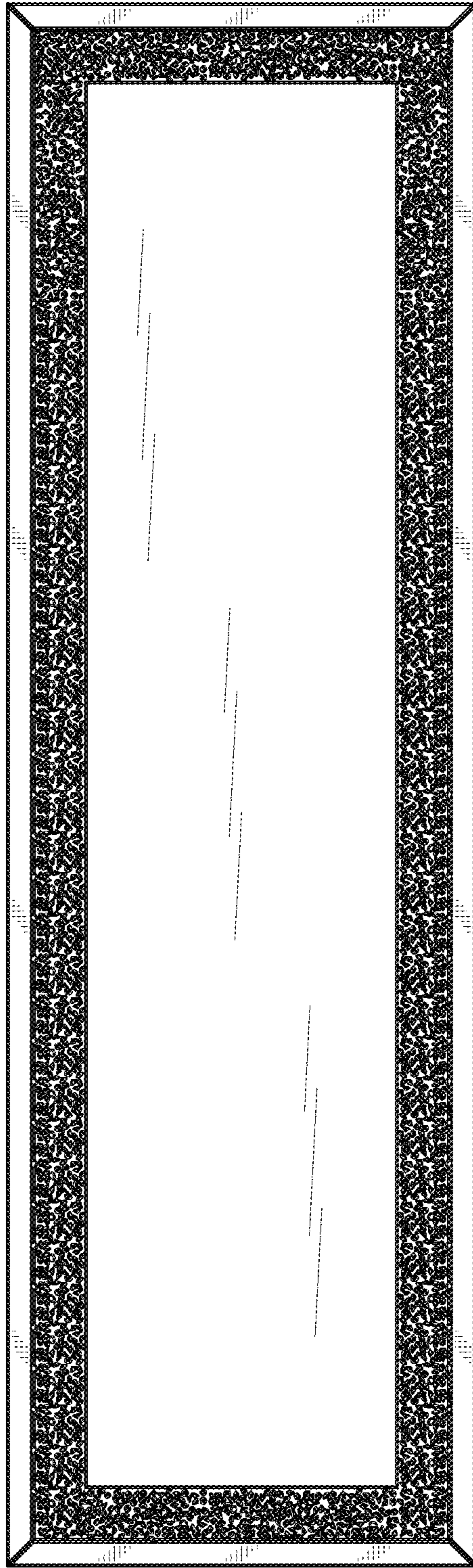


FIG. 3

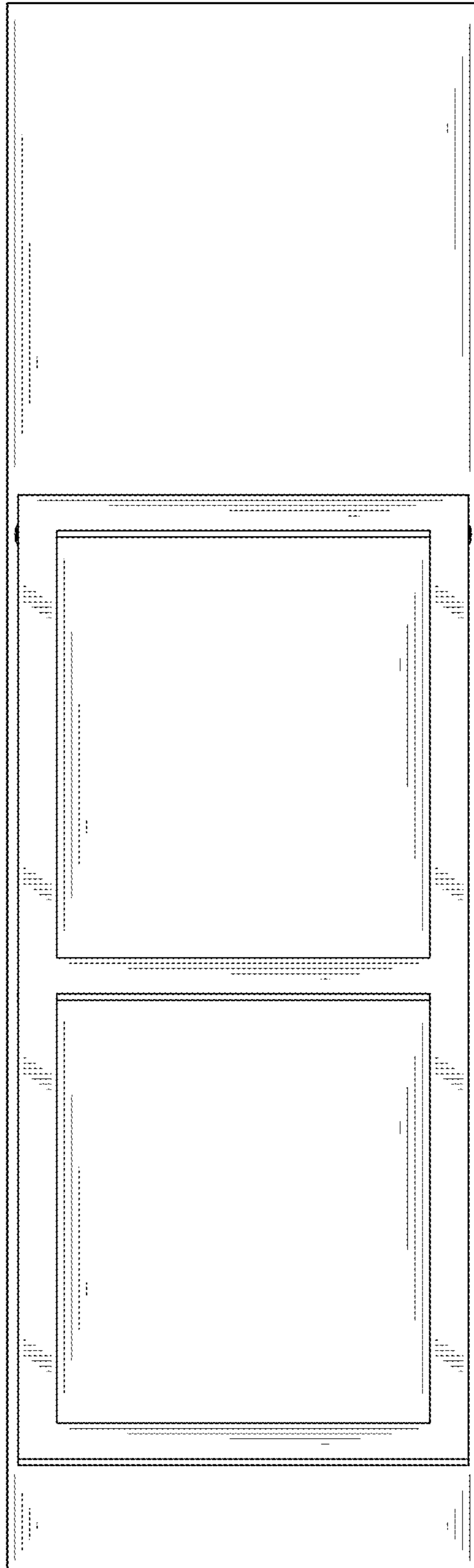


FIG. 4

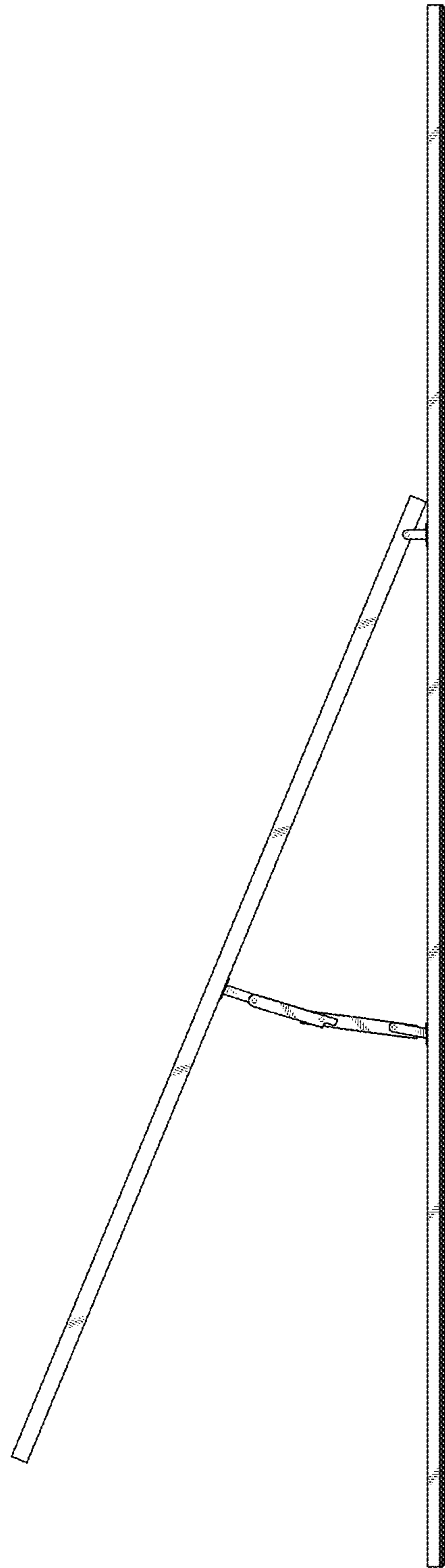


FIG. 5

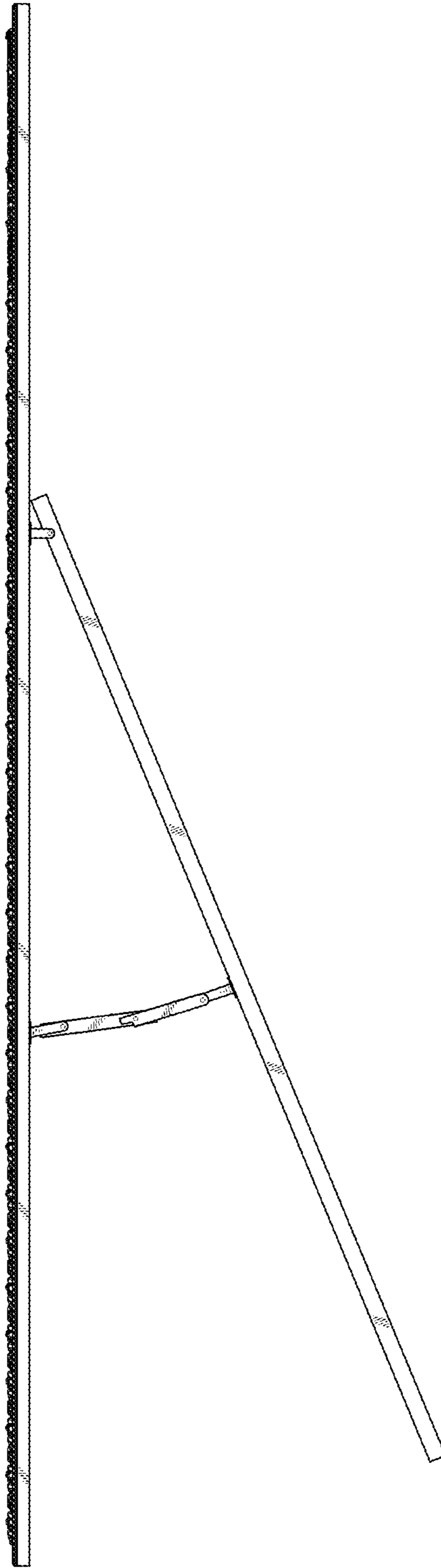


FIG. 6

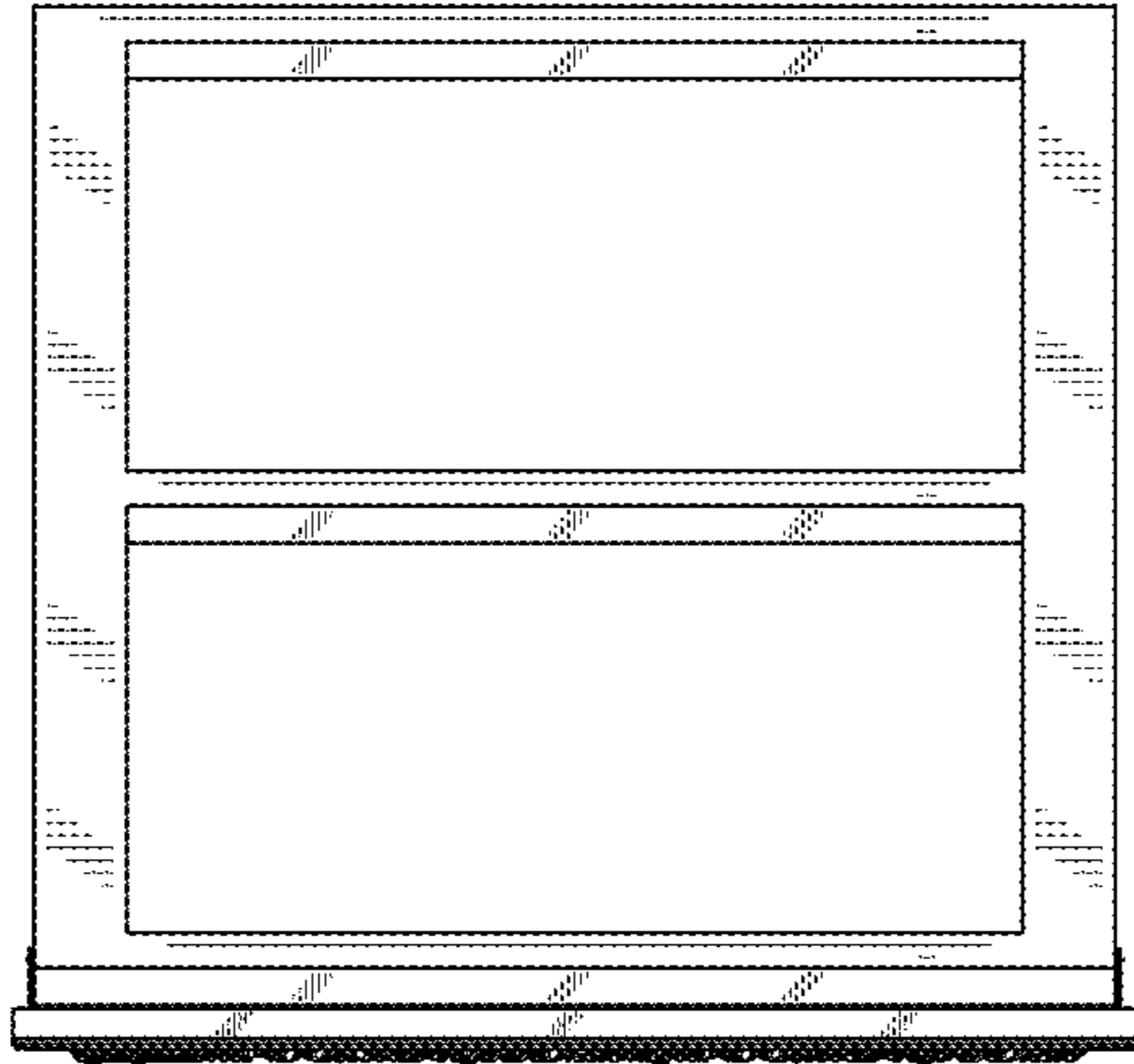


FIG. 7

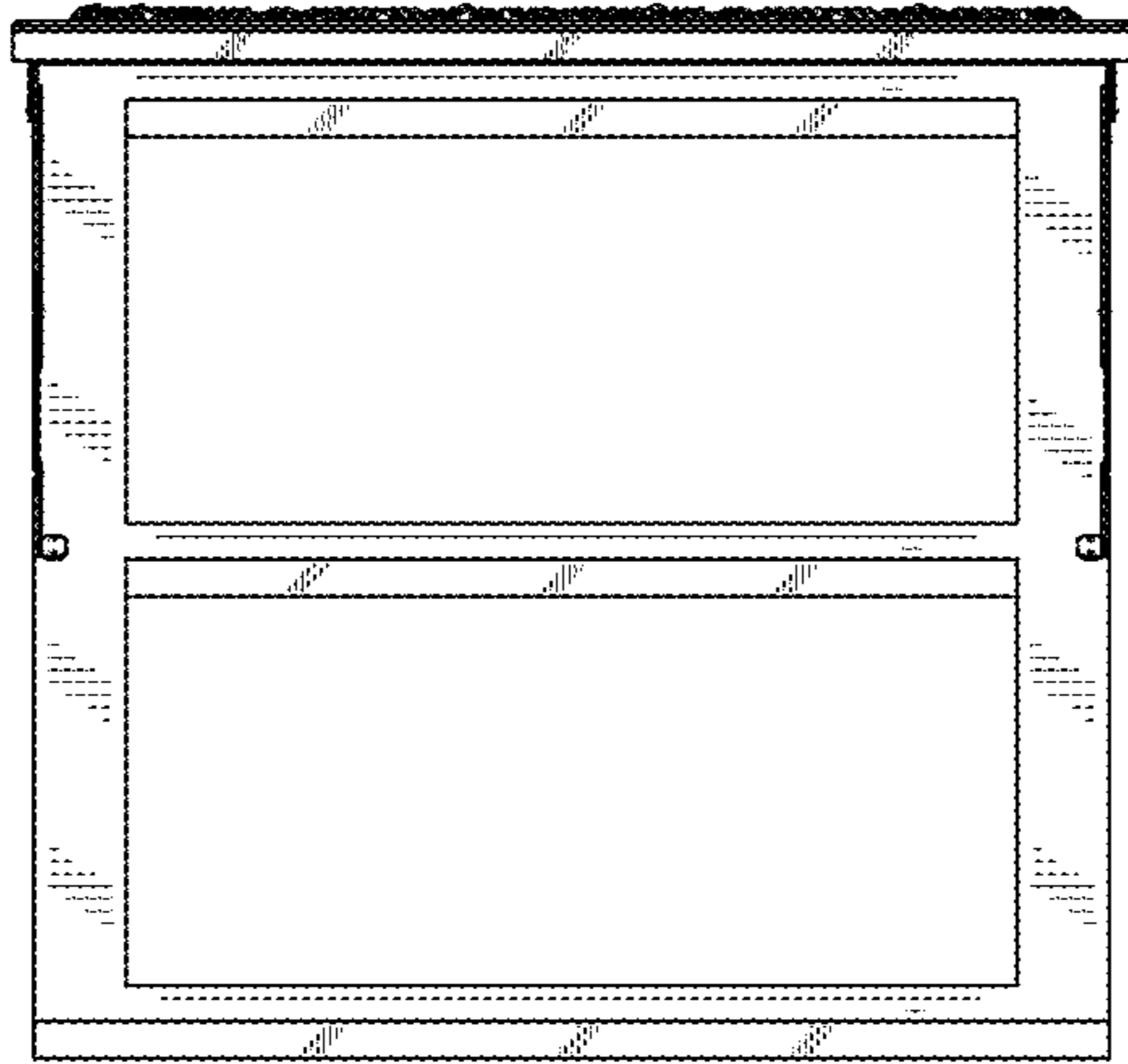


FIG. 8

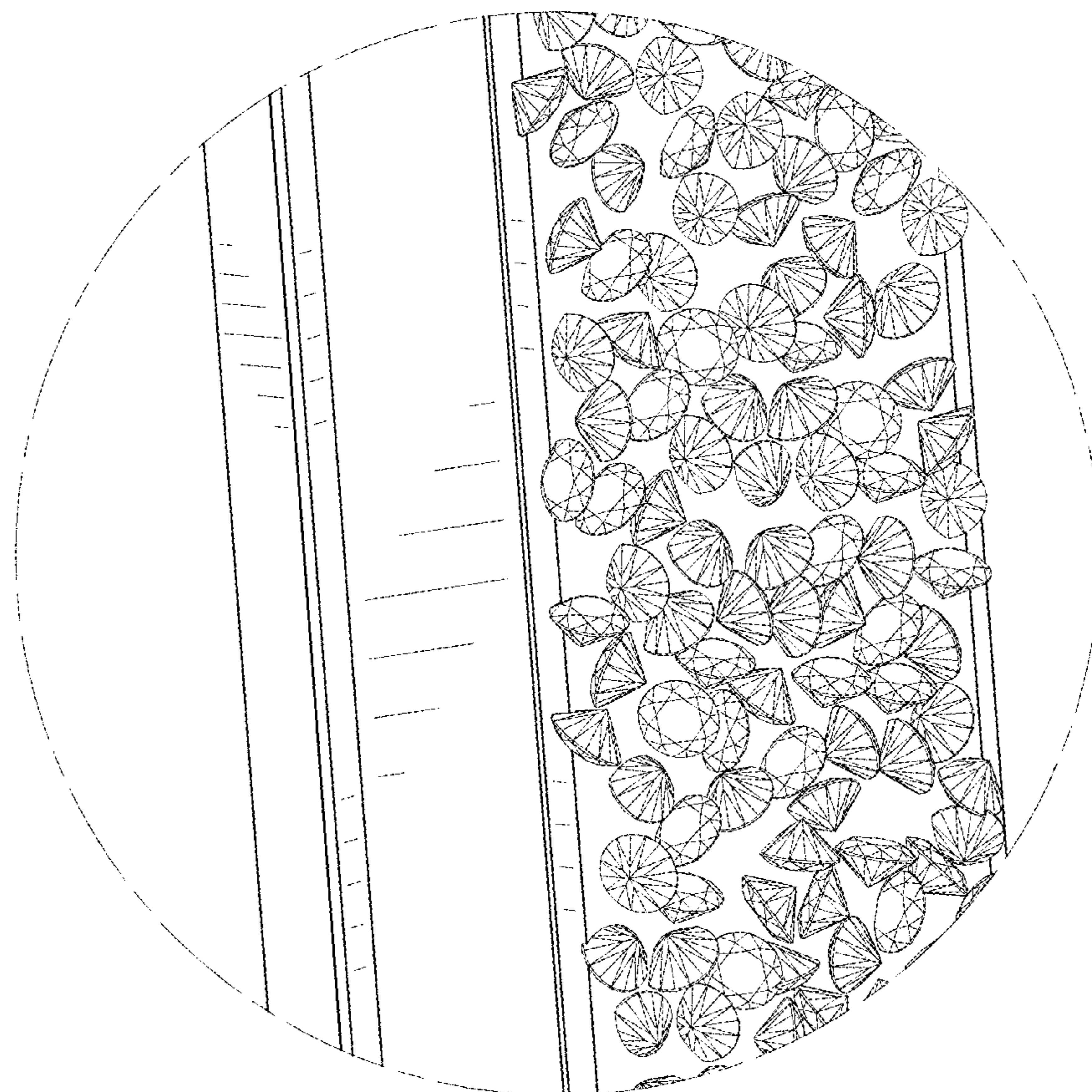


FIG. 9

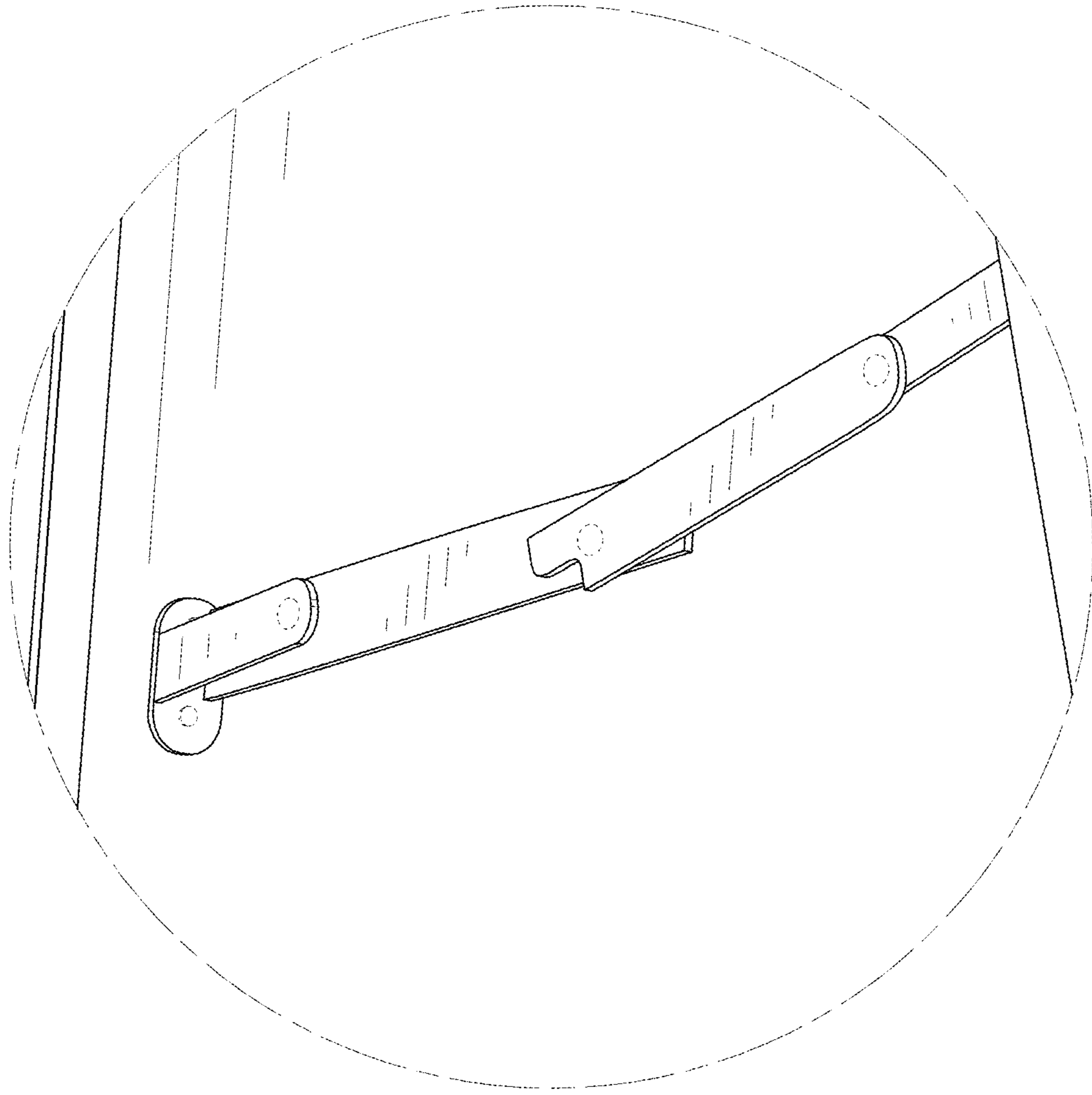


FIG. 10