



US00D946903S

(12) **United States Design Patent** (10) **Patent No.:** **US D946,903 S**  
**Choe et al.** (45) **Date of Patent:** **\*\* Mar. 29, 2022**

(54) **DUST REMOVER FOR CLOTHES**

A47L 25/005; A47L 25/08; B08B 1/00;  
B08B 1/04; B08B 7/0028; B05C 17/02;  
B05C 17/0205; B05C 17/0217; B05C  
17/0222; B05C 17/0225

(71) Applicant: **LG ELECTRONICS INC.**, Seoul  
(KR)

See application file for complete search history.

(72) Inventors: **Sharim Choe**, Seoul (KR); **Seokkyu Kang**, Seoul (KR); **Heesu Yang**, Seoul (KR); **Jayoen Kim**, Seoul (KR); **Heejae Kim**, Seoul (KR)

(56) **References Cited**

U.S. PATENT DOCUMENTS

D727,579	S	*	4/2015	Willis	.....	D32/25
D743,701	S	*	11/2015	Arvinte	.....	D4/122
D756,130	S	*	5/2016	Michelson	.....	D4/138
D756,663	S	*	5/2016	Michelson	.....	D4/138
D802,306	S	*	11/2017	Woolman	.....	D4/122
D858,998	S	*	9/2019	Zhang	.....	D4/122
D862,899	S	*	10/2019	Vasilakes	.....	D4/122
D891,118	S	*	7/2020	Neumann	.....	D4/122
D933,369	S	*	10/2021	Park	.....	D4/122

(73) Assignee: **LG Electronics Inc.**, Seoul (KR)

(\*\*) Term: **15 Years**

(21) Appl. No.: **29/739,212**

(22) Filed: **Jun. 23, 2020**

\* cited by examiner

(30) **Foreign Application Priority Data**

Jan. 8, 2020 (KR) ..... 30-2020-0000979

(51) **LOC (13) Cl.** ..... **04-01**

(52) **U.S. Cl.**  
USPC ..... **D4/122**

(58) **Field of Classification Search**  
USPC ..... D4/122, 131-138; D7/393, 392, 401.2;  
D8/10, 11, 45, 80, 83, 98, 107, 303;  
15/104.001, 104.002, 143.1, 159.1, 160,  
15/230, 230.11; 16/430; 492/13, 16, 17,  
492/19

CPC ..... A46B 5/02; A46B 5/021; A46B 5/023;  
A46B 5/025; A46B 5/026; A46B 7/06;  
A46B 7/10; A47J 45/00; A47J 45/06;  
A47J 45/061; A47J 45/07; A47J 45/071;  
B25G 1/00; B25G 1/005; B25G 1/10;  
B25G 1/102; B25G 1/105; B26B 1/10;  
Y10S 16/12; Y10S 16/19; Y10T 16/446;  
Y10T 16/469; Y10T 16/476; A47L 25/00;

*Primary Examiner* — Austin Murphy

(74) *Attorney, Agent, or Firm* — Birch, Stewart, Kolasch & Birch, LLP

(57) **CLAIM**

We claim the ornamental design for a dust remover for clothes, as shown and described.

**DESCRIPTION**

FIG. 1 is a perspective view of a dust remover for clothes showing the new design;

FIG. 2 is a front elevation view thereof;

FIG. 3 is a rear elevation view thereof;

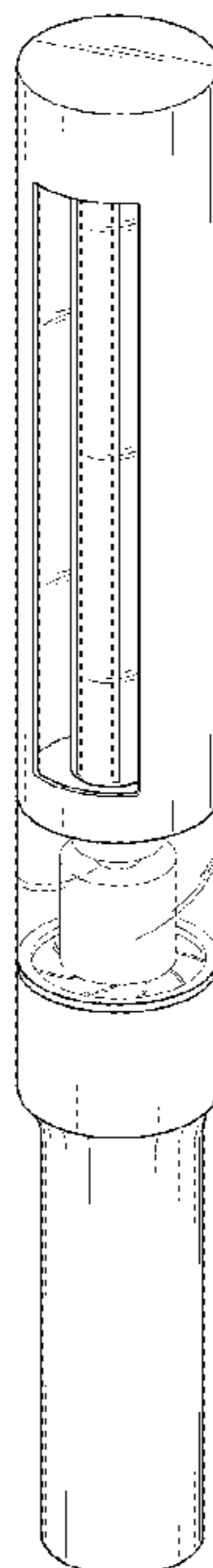
FIG. 4 is a left-side elevation view thereof;

FIG. 5 is a right-side elevation view thereof;

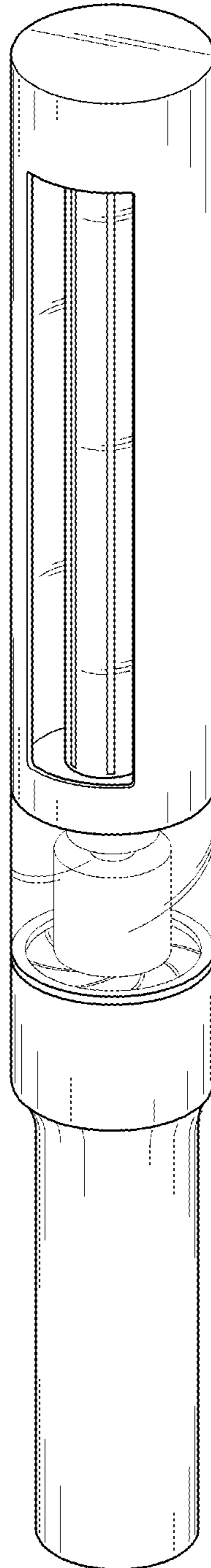
FIG. 6 is a top plan view thereof; and,

FIG. 7 is a bottom plan view thereof.

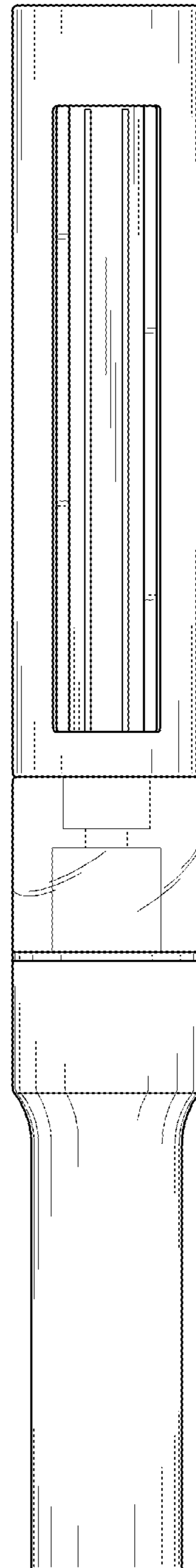
**1 Claim, 7 Drawing Sheets**



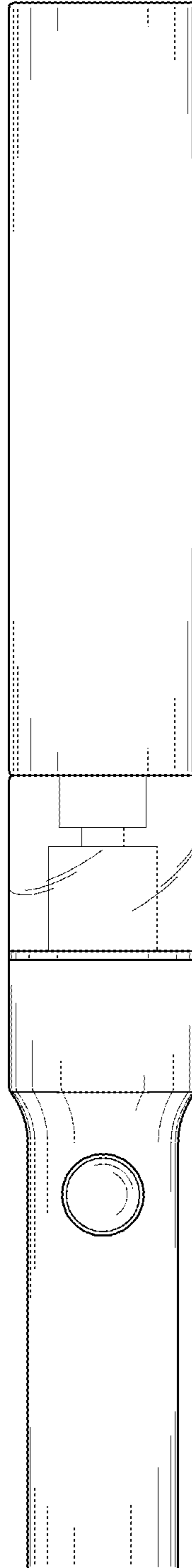
*FIG. 1*



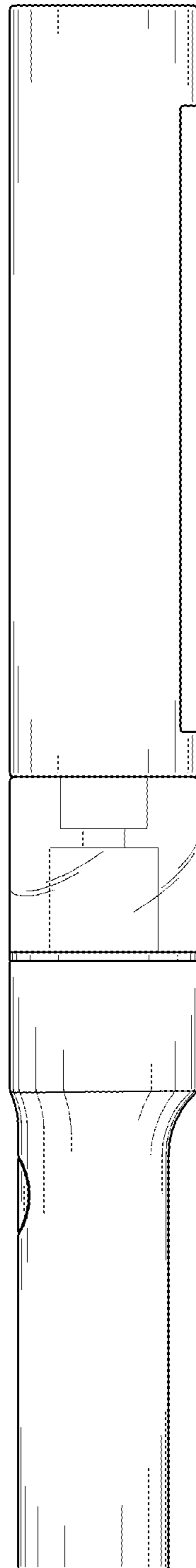
*FIG. 2*



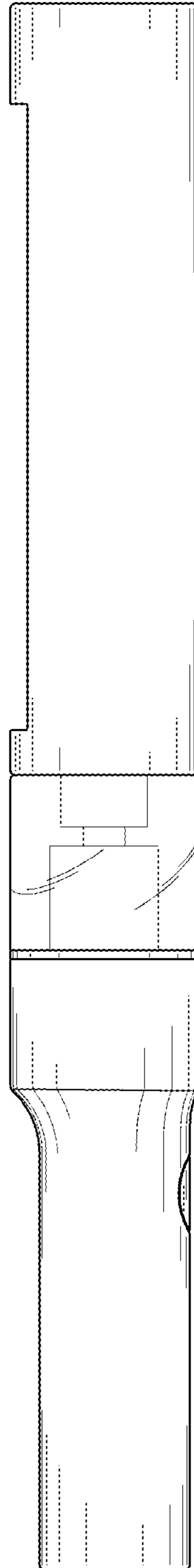
*FIG. 3*



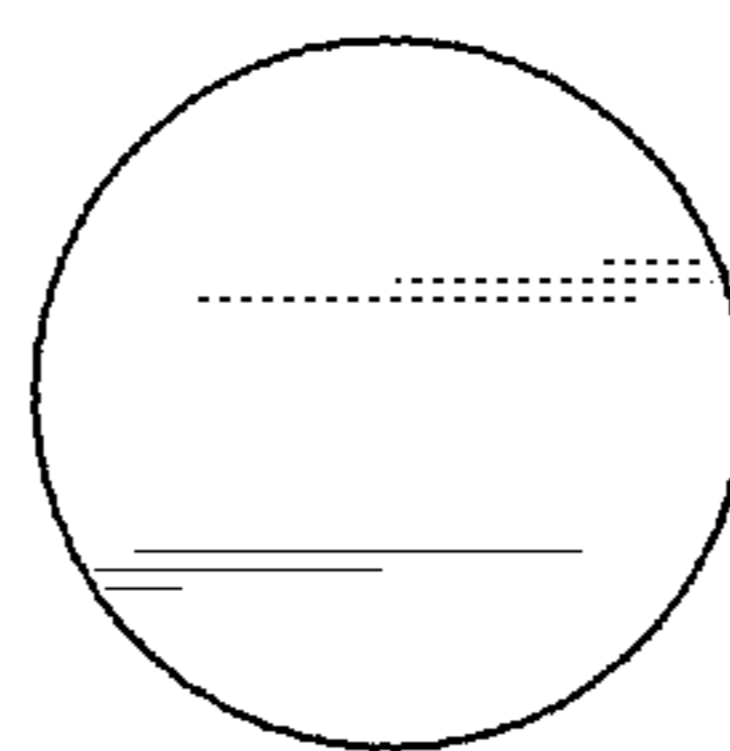
*FIG. 4*



*FIG. 5*



*FIG. 6*



*FIG. 7*

