



US00D946899S

(12) **United States Design Patent**
Yang

(10) **Patent No.:** **US D946,899 S**
(45) **Date of Patent:** **** Mar. 29, 2022**

(54) **HAIR BRUSH**
(71) Applicant: **SHENZHEN MERDA ELECTRONICS CO., LTD**, Shenzhen (CN)

D899,782 S * 10/2020 Yang D4/100
D901,772 S 11/2020 Huang
D904,032 S * 12/2020 Zeng D4/100
(Continued)

(72) Inventor: **Xiao Ping Yang**, Shenzhen (CN)
(73) Assignee: **SHENZHEN MERDA ELECTRONICS CO., LTD**, Shenzhen (CN)

FOREIGN PATENT DOCUMENTS
CA 163690 * 2/2015

(**) Term: **15 Years**

(21) Appl. No.: **29/761,552**

(22) Filed: **Dec. 10, 2020**

(51) **LOC (13) Cl.** **04-02**

(52) **U.S. Cl.**
USPC **D4/100**

(58) **Field of Classification Search**
USPC D4/100, 130-138; D8/80, 83; D30/158, D30/159
CPC A45D 20/48; A45D 24/007; A46B 9/02; A46B 9/005; A46B 15/003; A46B 5/02
See application file for complete search history.

OTHER PUBLICATIONS
Apoke Brush, announced May 2020 [online], [site visited Aug. 2, 2021]. Available from internet, URL: https://www.amazon.com/APOKE-Straightener-Professional-Powerful-Tourmaline/dp/B08NFPFV9X/ref=cm_cr_arp_d_product_top?ie=UTF8 (Year: 2020).
(Continued)

Primary Examiner — Cynthia Ramirez
Assistant Examiner — Tamara L Hahn

(57) **CLAIM**
The ornamental design for a hair brush, as shown and described.

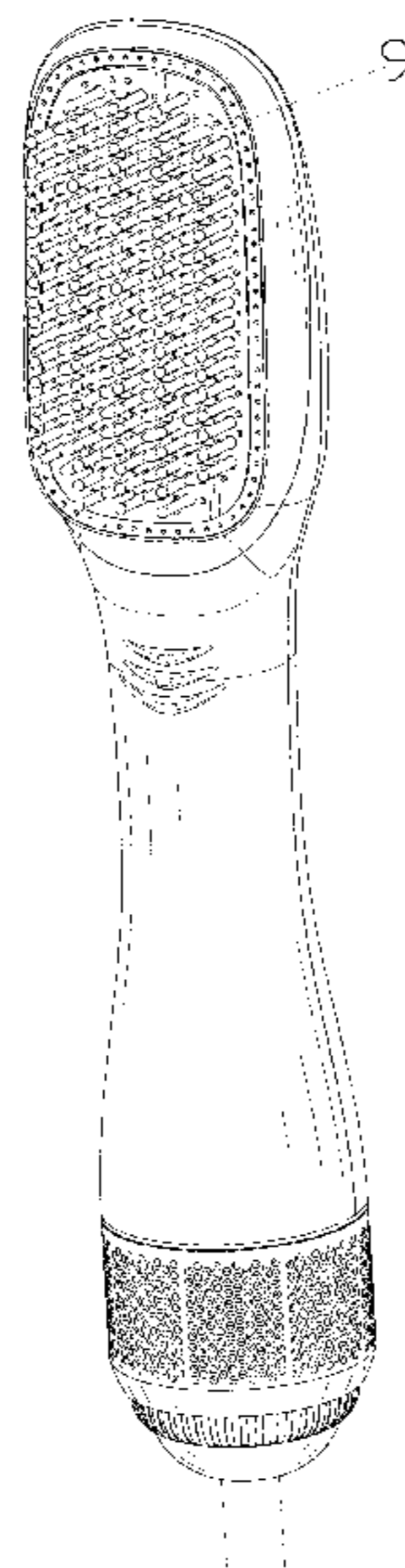
(56) **References Cited**
U.S. PATENT DOCUMENTS

D781,597 S *	3/2017	Treeby	D4/136
D781,598 S *	3/2017	Treeby	D4/136
D825,929 S	8/2018	Julemont		
D838,989 S *	1/2019	Yan	D4/100
D842,539 S *	3/2019	Guy-Rabi	D28/35
D881,579 S *	4/2020	Gao	D4/100
D882,958 S *	5/2020	Zhang	D4/100
D889,129 S *	7/2020	Janowick	D4/100
D889,130 S *	7/2020	Yuan	D4/100
D890,527 S *	7/2020	Hu	D4/100
D895,972 S *	9/2020	Janowick	D4/100
D898,363 S *	10/2020	Gan	D4/100

DESCRIPTION

FIG. 1 is a perspective view of a hair brush showing my new design;
FIG. 2 is another perspective view thereof;
FIG. 3 is a front elevational view thereof;
FIG. 4 is a rear elevational view thereof;
FIG. 5 is a left side elevational view thereof;
FIG. 6 is a right side elevational view thereof;
FIG. 7 is a top plan view thereof;
FIG. 8 is a bottom plan view thereof;
FIG. 9 is an enlarged view of portion 9 shown in FIG. 1;
FIG. 10 is an enlarged top plan view of the FIG. 7; and,
FIG. 11 is an enlarged bottom plan view of the FIG. 8.
The broken lines in the drawings depict portions of the hair brush that form no part of the claimed design. The dot-dash circle in FIGS. 1 and 9 is to show enlarged portions of the hair brush and forms no part of the claimed design.

1 Claim, 11 Drawing Sheets



(56)

References Cited

U.S. PATENT DOCUMENTS

D906,677 S * 1/2021 Cai D4/100
D912,404 S * 3/2021 Delassus D4/100
D912,987 S * 3/2021 Chandra D4/100
D922,773 S * 6/2021 Zhou D4/100
2016/0100663 A1 * 4/2016 Guy-Rabi A45D 2/001
15/160
2017/0290733 A1 * 10/2017 Lin A61N 2/06
2018/0055188 A1 * 3/2018 Potts A45D 20/48
2018/0125223 A1 * 5/2018 Exley A46B 15/003
2021/0015234 A1 * 1/2021 De Araujo A61Q 5/002

OTHER PUBLICATIONS

Alibaba Brush, announced 2021 [online], [site visited Aug. 2, 2021].
Available from internet, URL: <https://turkish.alibaba.com/product-detail/professional-fast-heating-2-in-1-hair-straightener-and-hair-curling-brush-1600247408807.html> (Year: 2021).*

Revlon Brush, announced 2015 [online], [site visited Aug. 2, 2021].
Available from internet, URL: <https://www.walmart.com/ip/Revlon-One-Step-Hair-Dryer-and-Styler-Black-Blow-Dryer/46828785> (Year: 2015).*

* cited by examiner

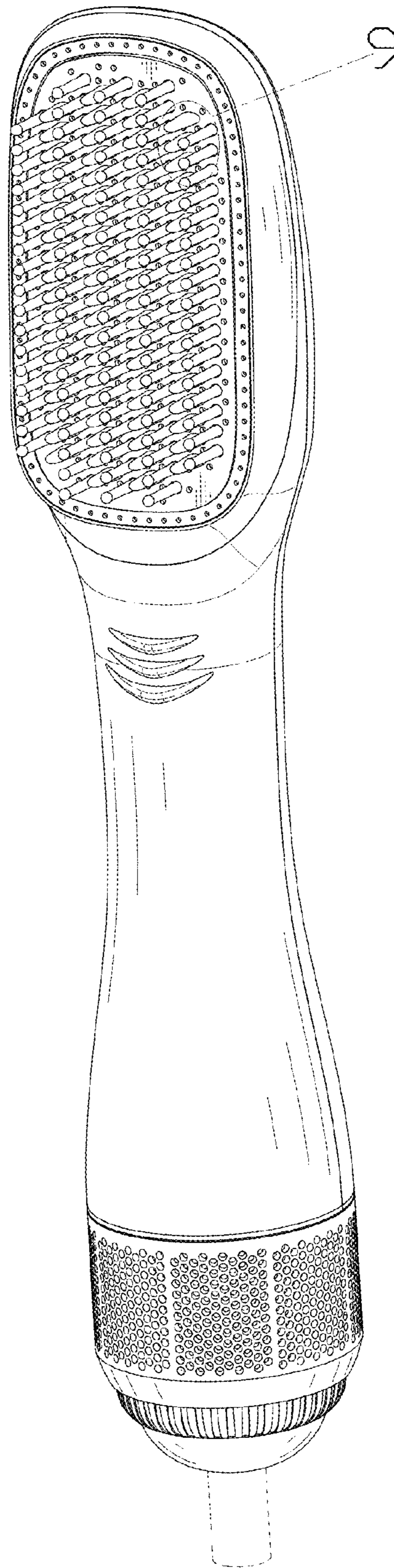


FIG. 1

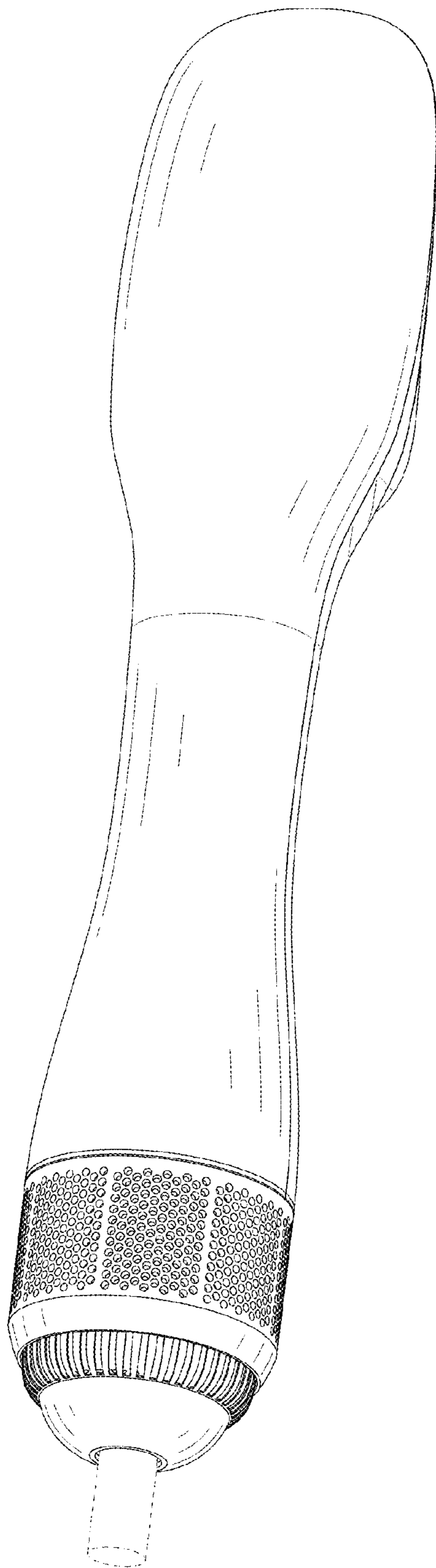


FIG. 2

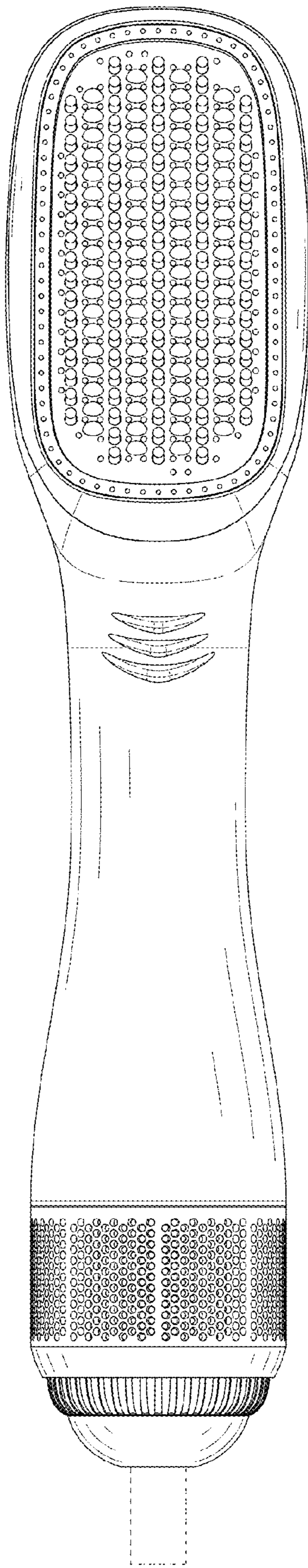


FIG. 3

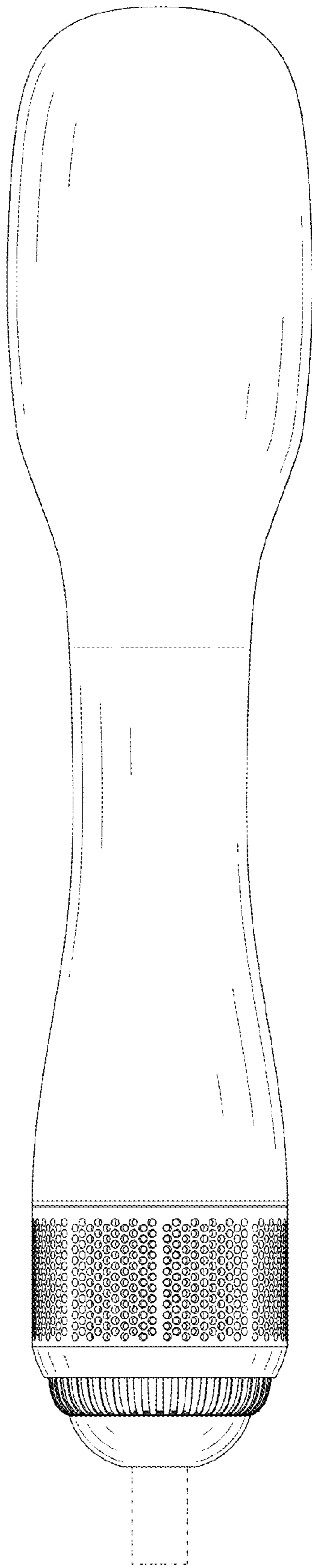


FIG. 4

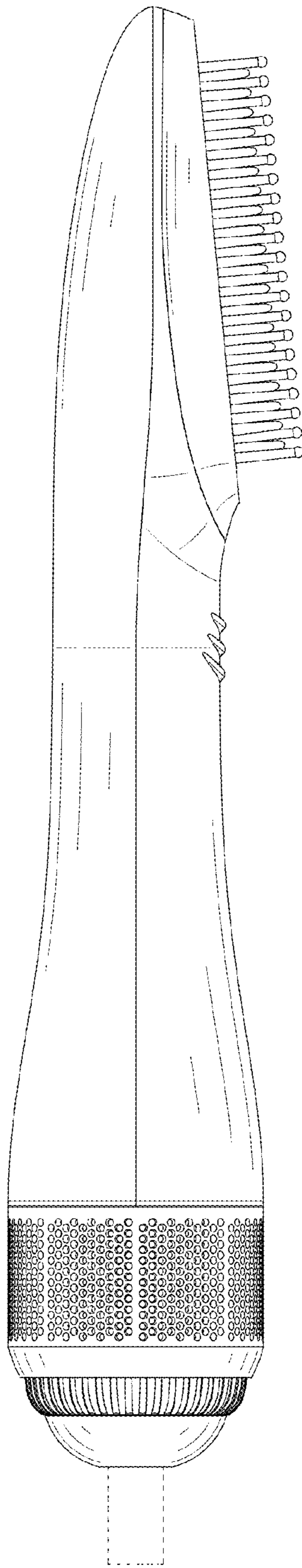


FIG. 5

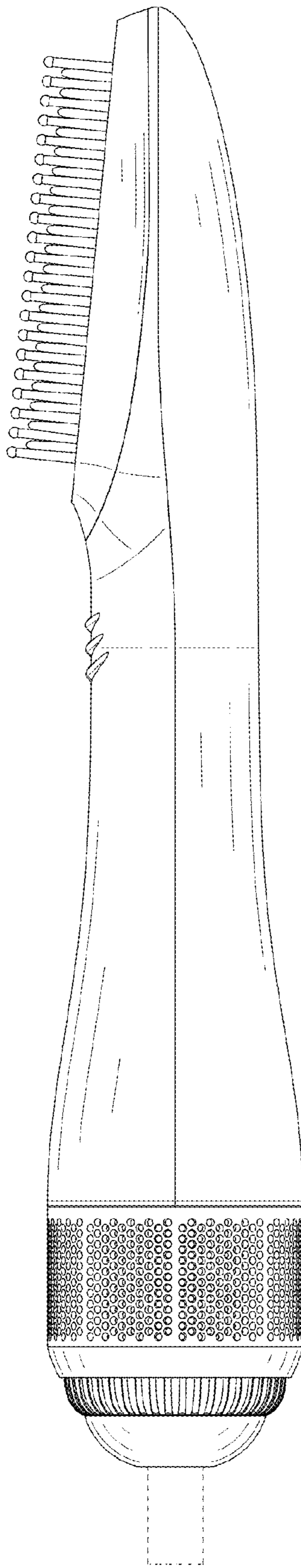


FIG. 6

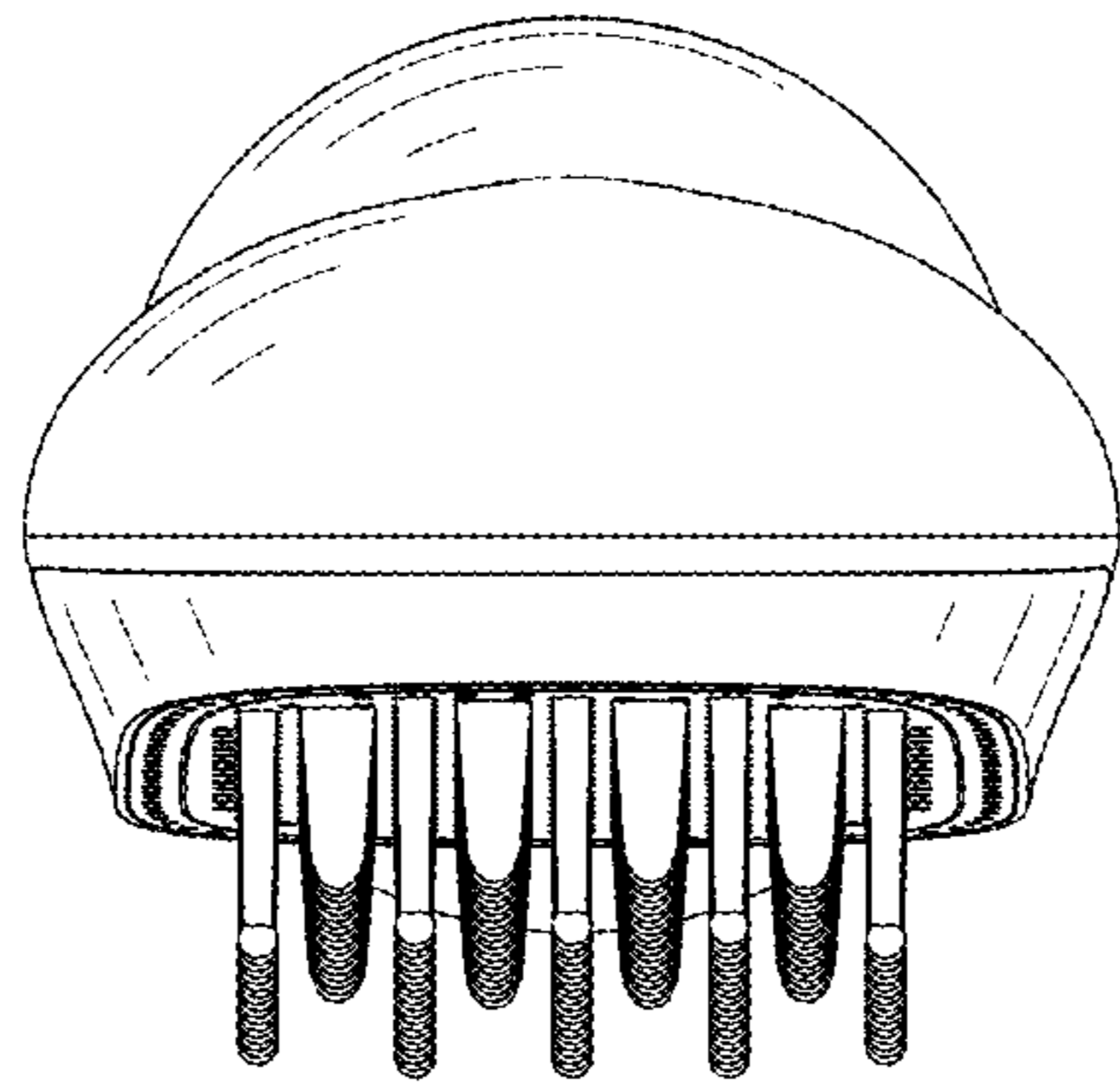


FIG. 7

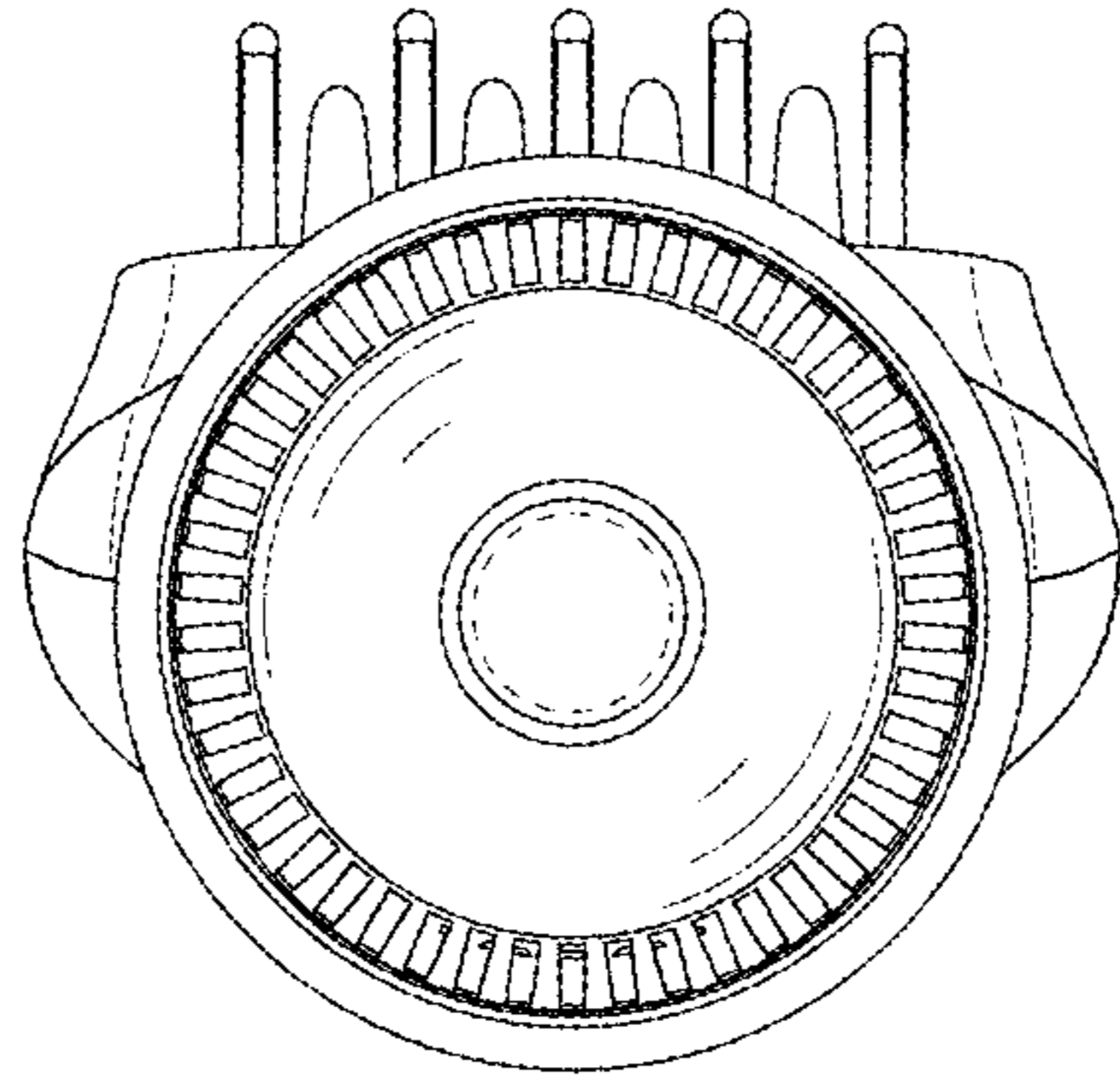


FIG. 8

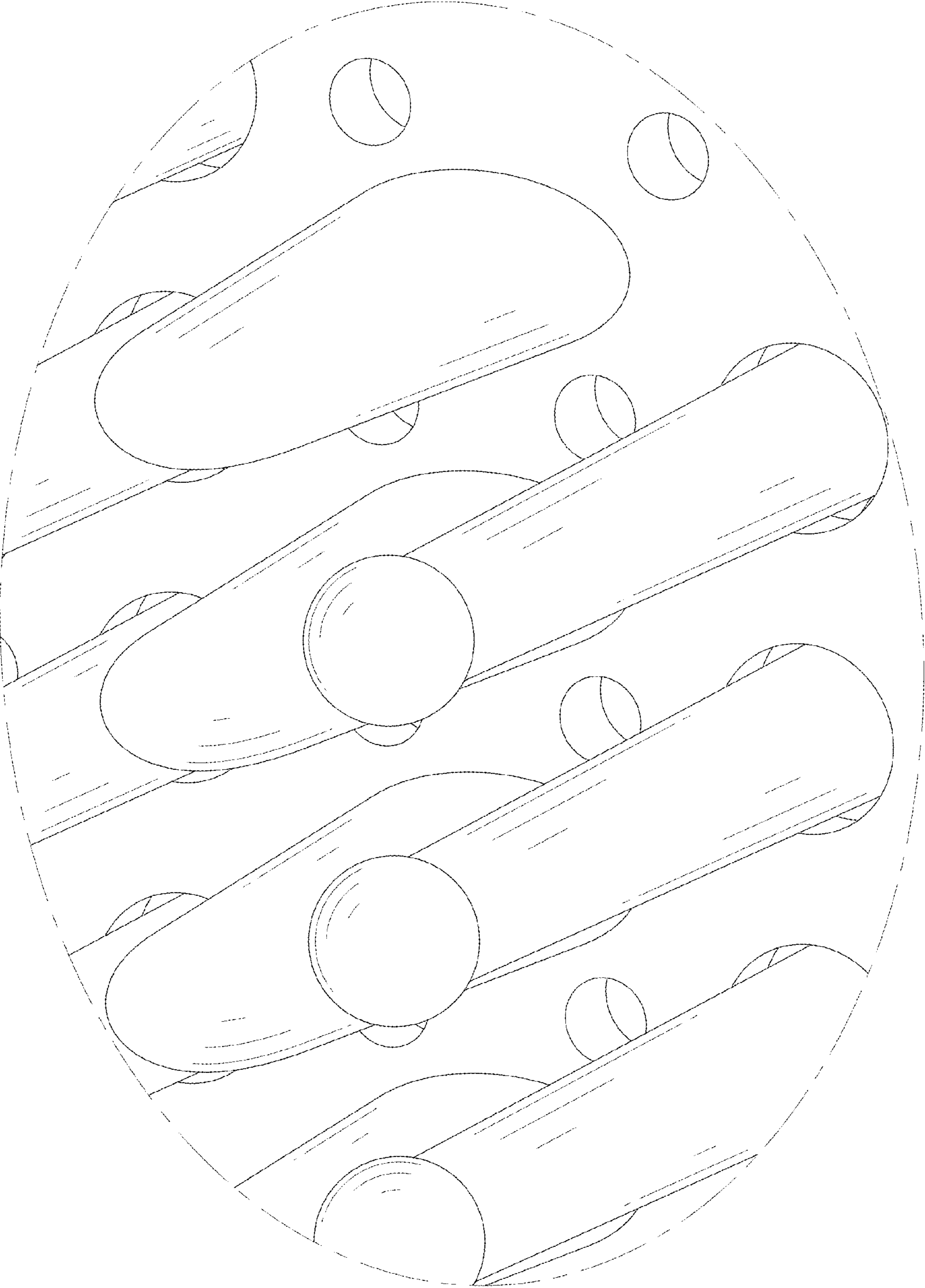


FIG. 9

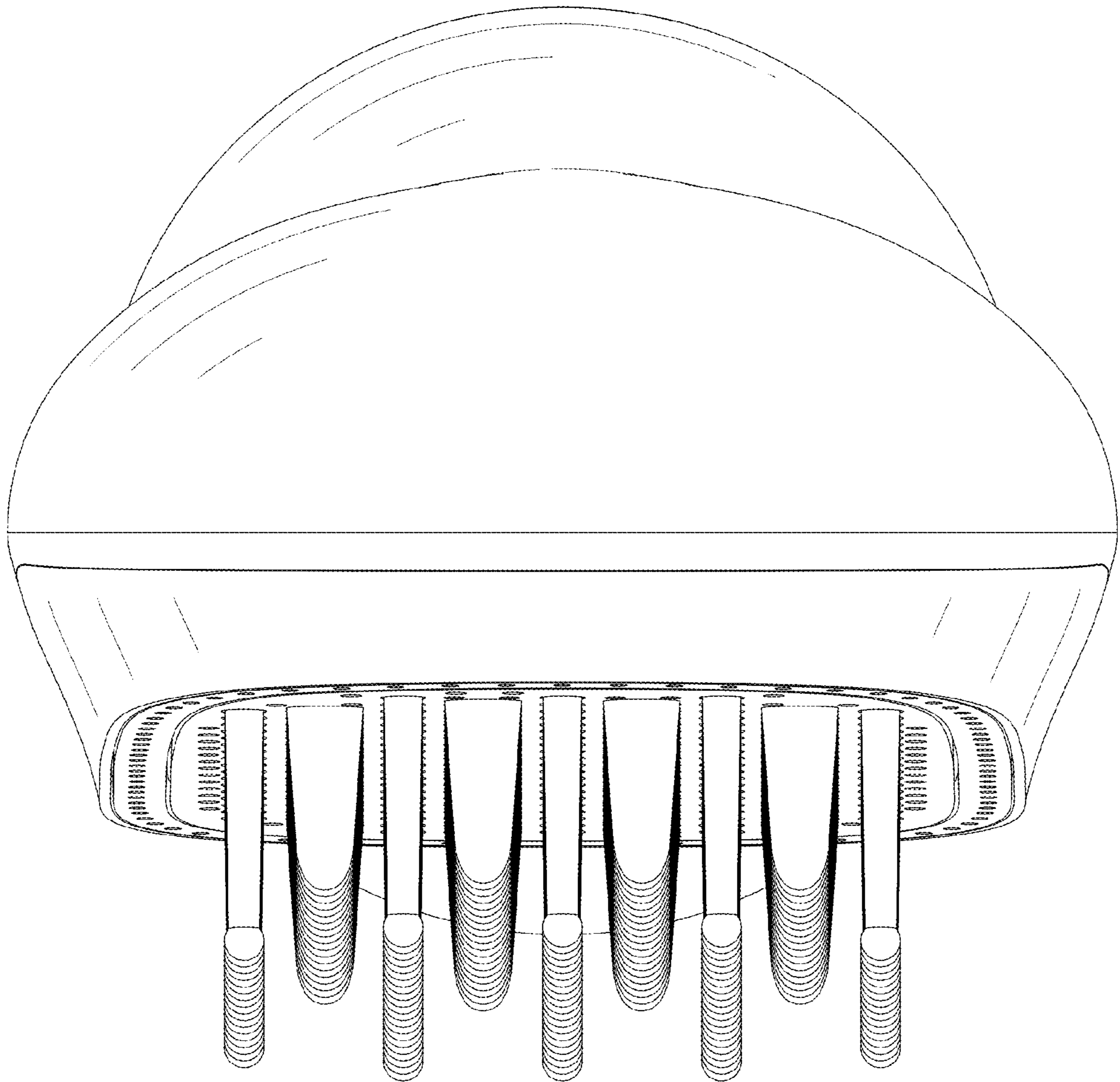


FIG. 10

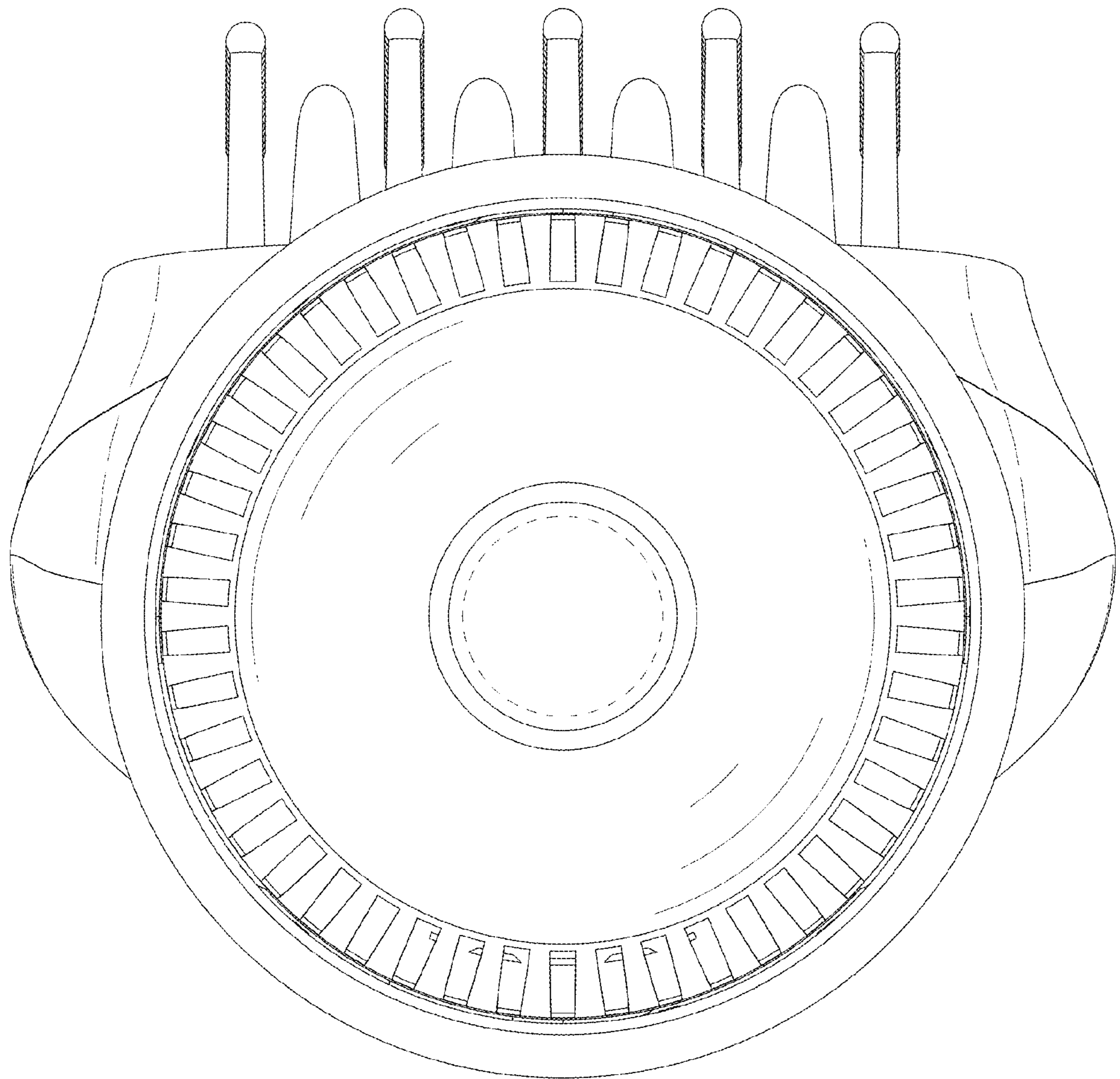


FIG. 11