



US00D946898S

(12) **United States Design Patent**
Chen

(10) **Patent No.:** **US D946,898 S**
(45) **Date of Patent:** **** Mar. 29, 2022**

(54) **TRAY**
(71) Applicant: **Guangzhou Songxianjun Trading Co., Ltd.**, Guangzhou (CN)
(72) Inventor: **Shuzhi Chen**, Jieyang (CN)
(73) Assignee: **Guangzhou Songxianjun Trading Co., Ltd.**, Guangzhou (CN)
(**) Term: **15 Years**

D512,836 S *	12/2005	Marnell, II	D3/313
D515,114 S *	2/2006	Grobleben	D15/89
D585,647 S *	2/2009	Whiteside	D3/310
D677,088 S *	3/2013	Elshani	D6/525
D702,943 S	4/2014	AWilliams et al.		
D709,927 S *	7/2014	Park	D15/89
D748,498 S *	2/2016	Pipes	D9/737
D784,019 S *	4/2017	McLaughlin	D3/305
D809,934 S	2/2018	Shoshan et al.		
D831,505 S	10/2018	Mcsweeney et al.		
D848,151 S *	5/2019	Greenwood	D3/313
D906,547 S *	12/2020	Loyer	D25/68
2011/0168493 A1 *	7/2011	Clark	E06C 7/14 182/129

(21) Appl. No.: **29/777,402**
(22) Filed: **Apr. 6, 2021**
(51) **LOC (13) Cl.** **03-01**
(52) **U.S. Cl.**
USPC **D3/313**
(58) **Field of Classification Search**
USPC D3/304, 313, 314, 318-319; D7/601-602
CPC A47G 21/14; A45F 2200/05; A45F
2200/0575; B25H 3/006; B25H 3/06;
B65D 1/00; B65D 1/24
See application file for complete search history.

* cited by examiner

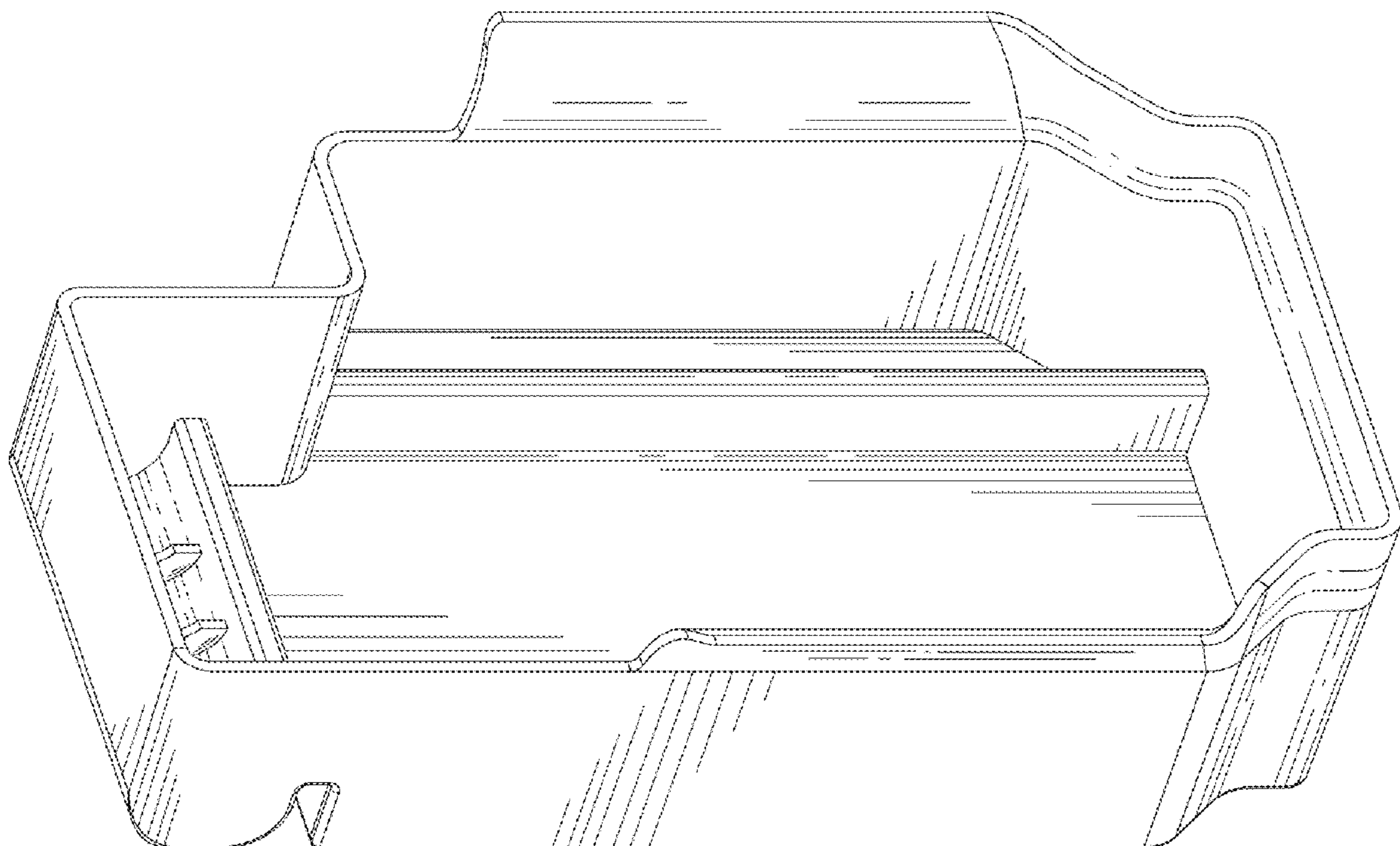
Primary Examiner — Kelley A Donnelly
(74) *Attorney, Agent, or Firm* — Jinggao Li

(57) **CLAIM**
The ornamental design for tray, as shown and described.

DESCRIPTION
FIG. 1 is a perspective view of a tray showing my new design;
FIG. 2 is a front view thereof;
FIG. 3 is a rear view thereof;
FIG. 4 is a left side view thereof;
FIG. 5 is a right side view thereof;
FIG. 6 is a top plan view thereof; and,
FIG. 7 is a bottom plan view thereof.

(56) **References Cited**
U.S. PATENT DOCUMENTS
D192,271 S * 2/1962 Gulland D3/313
D428,701 S * 8/2000 Lamo, Jr. D3/304
D484,251 S * 12/2003 Pruett D25/68

1 Claim, 7 Drawing Sheets



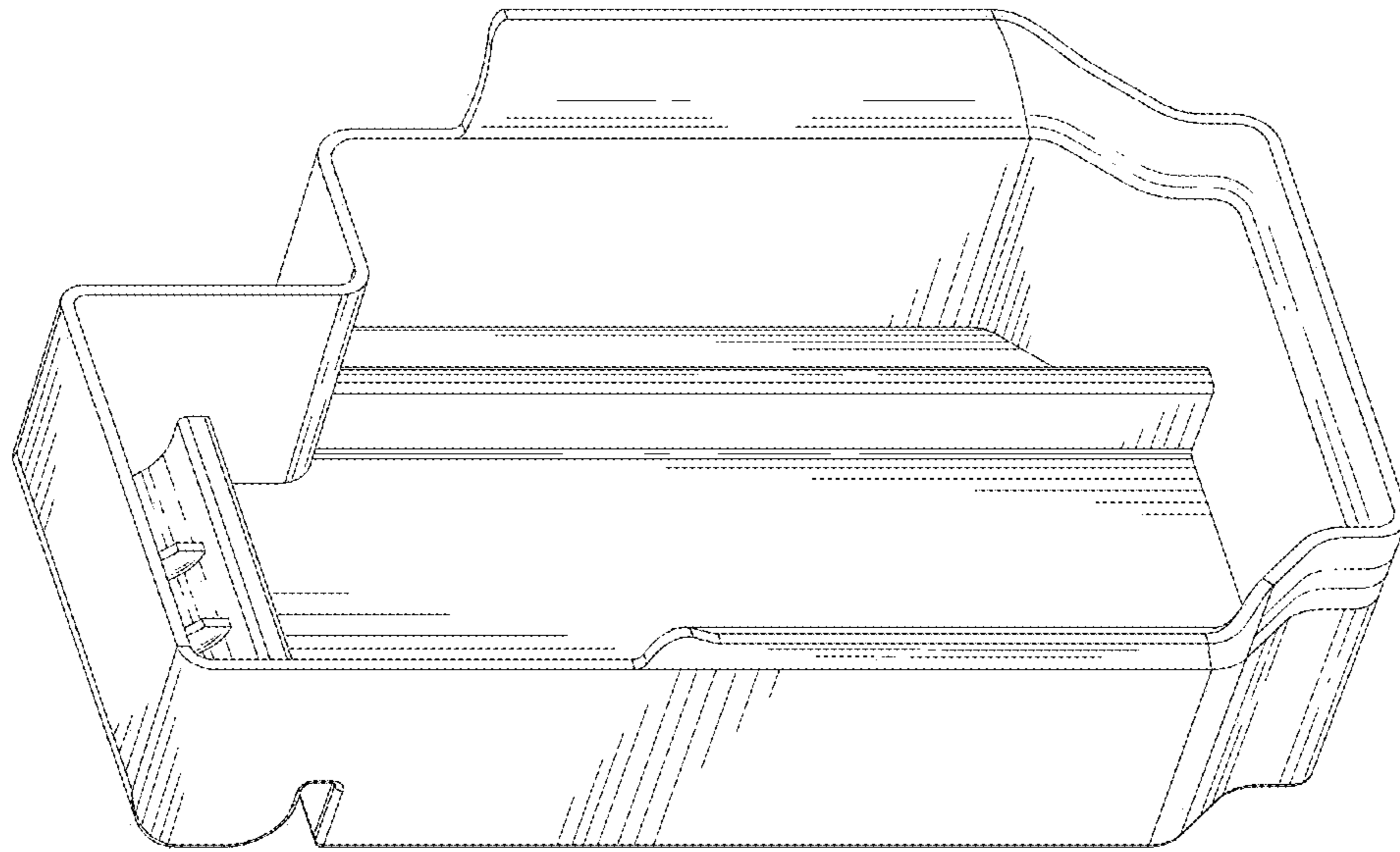


FIG. 1

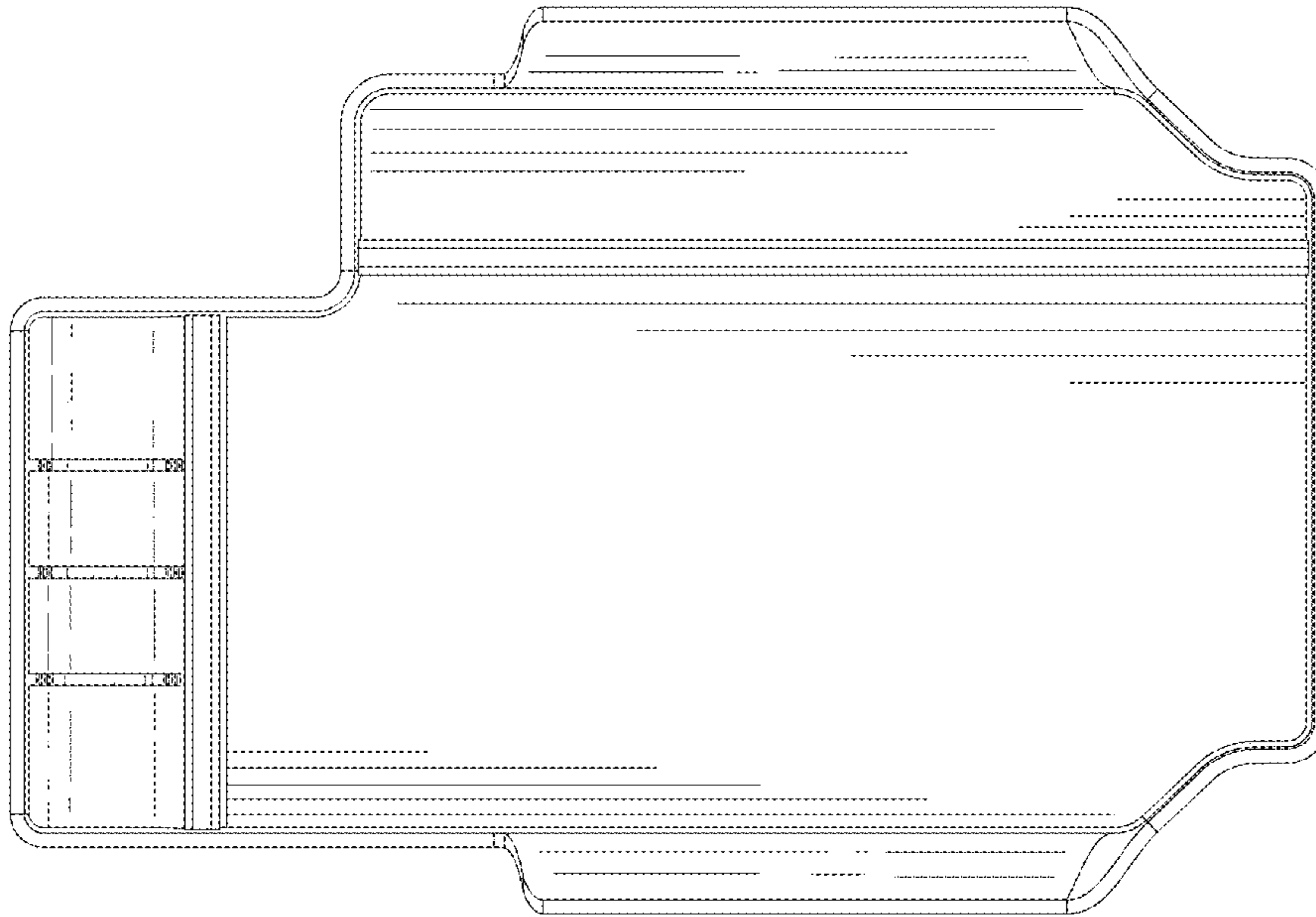


FIG.2

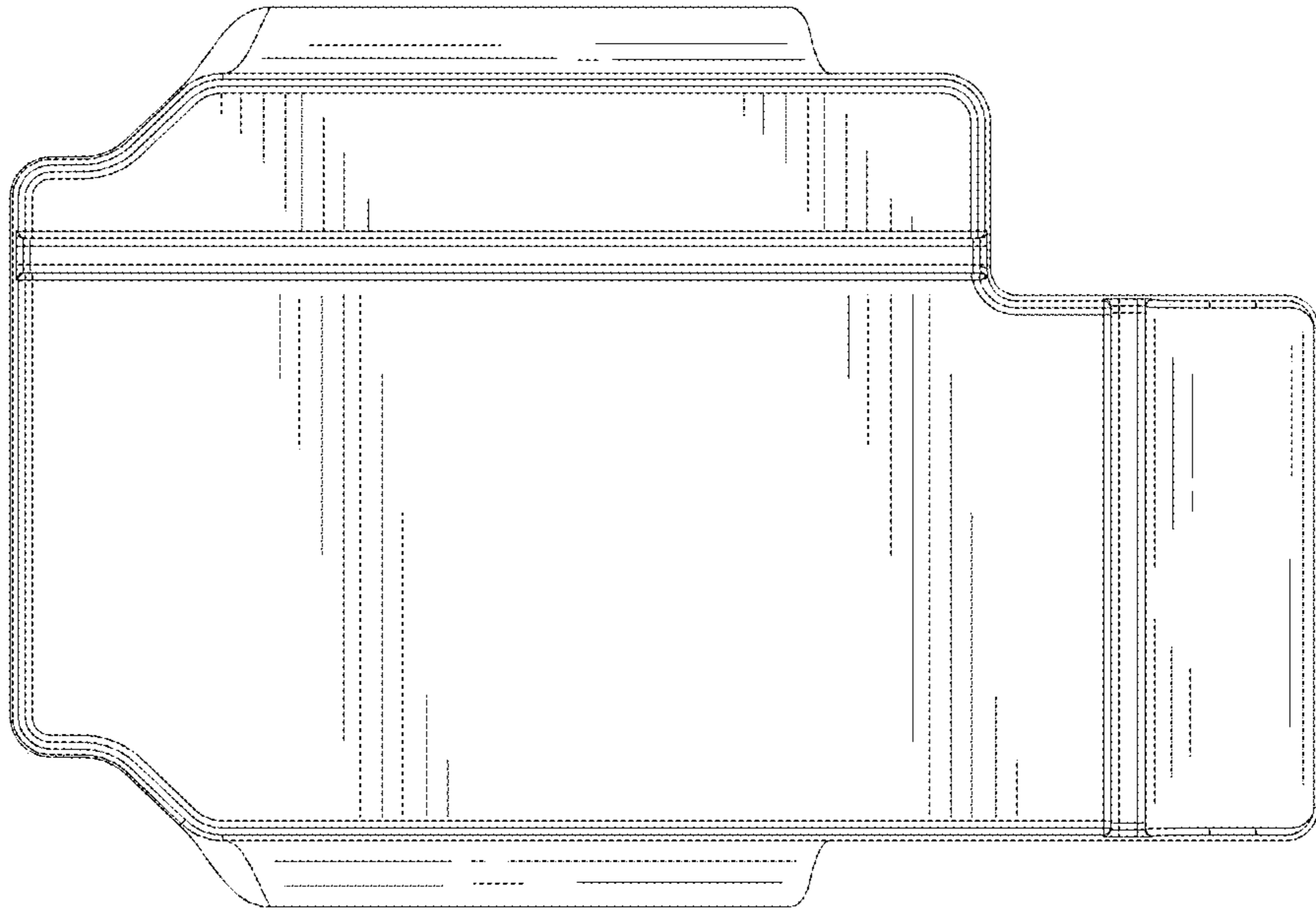


FIG.3

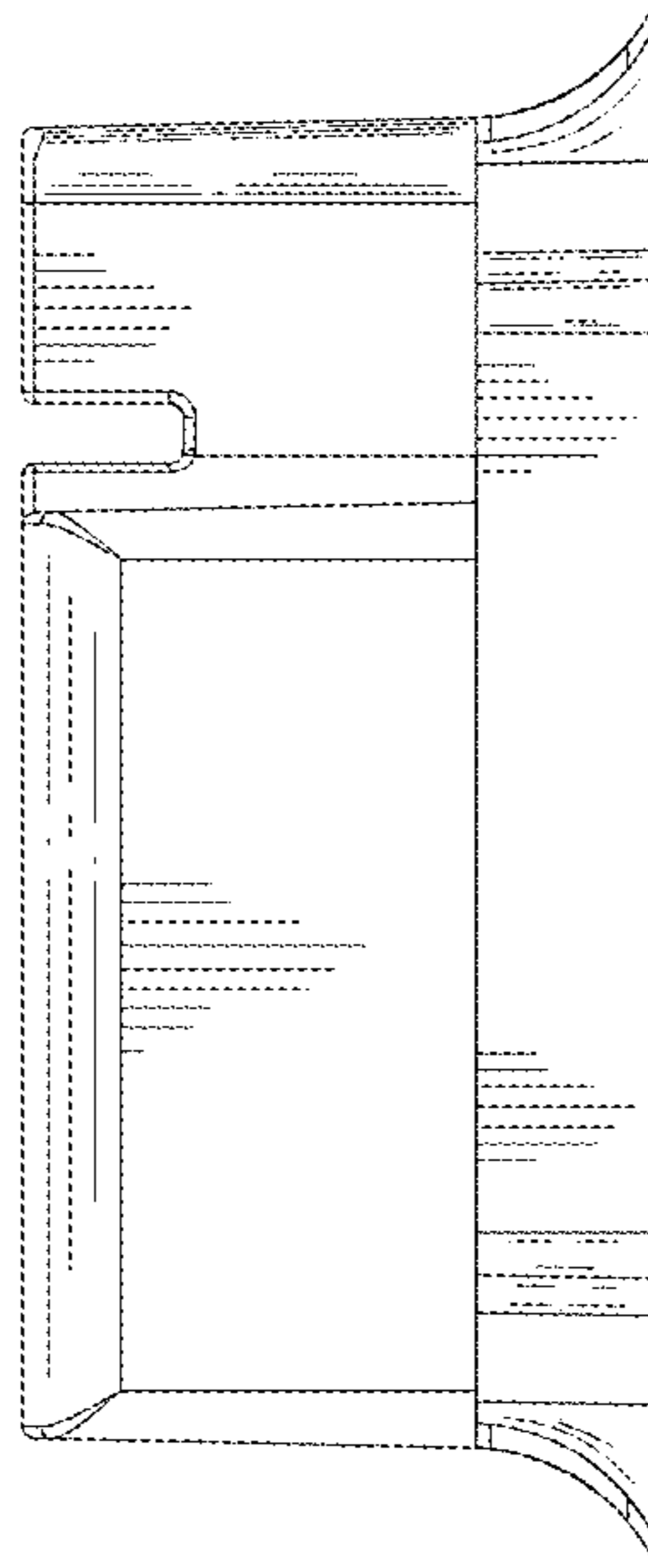


FIG.4

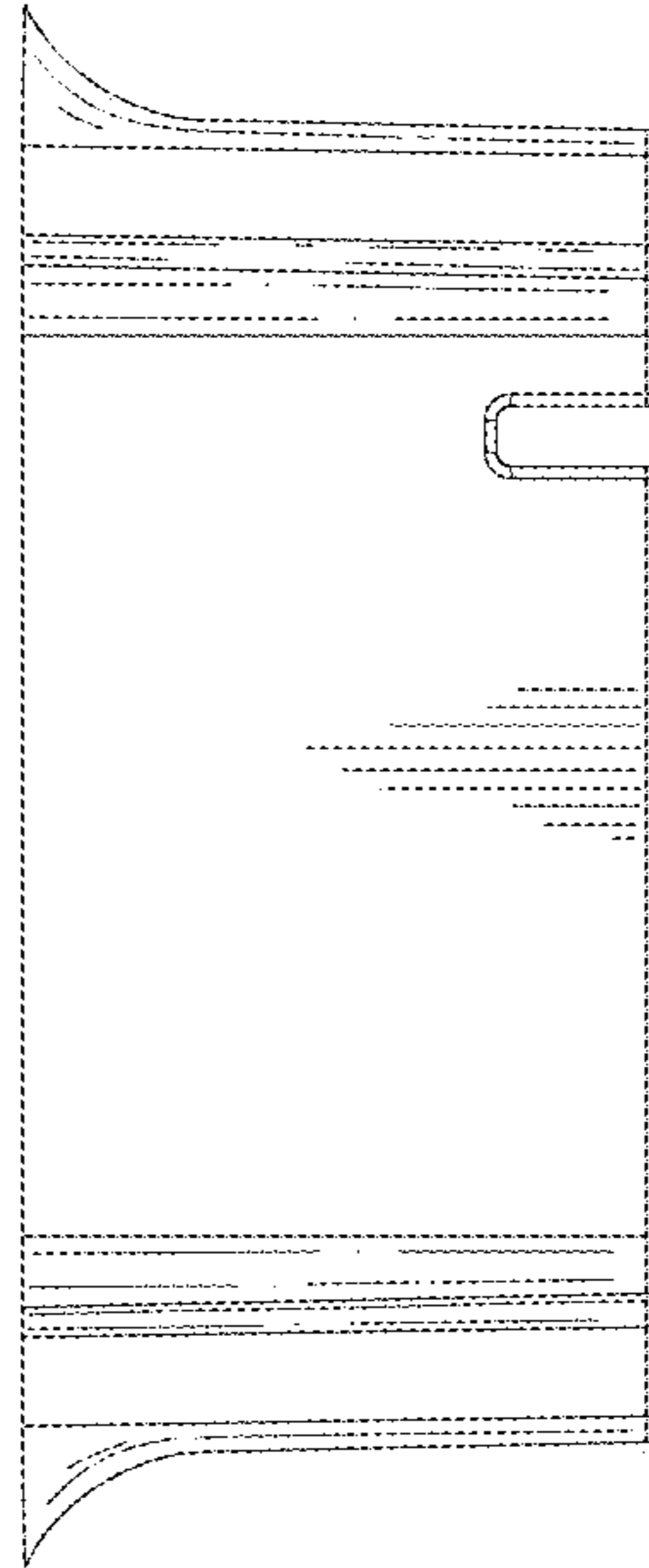


FIG.5

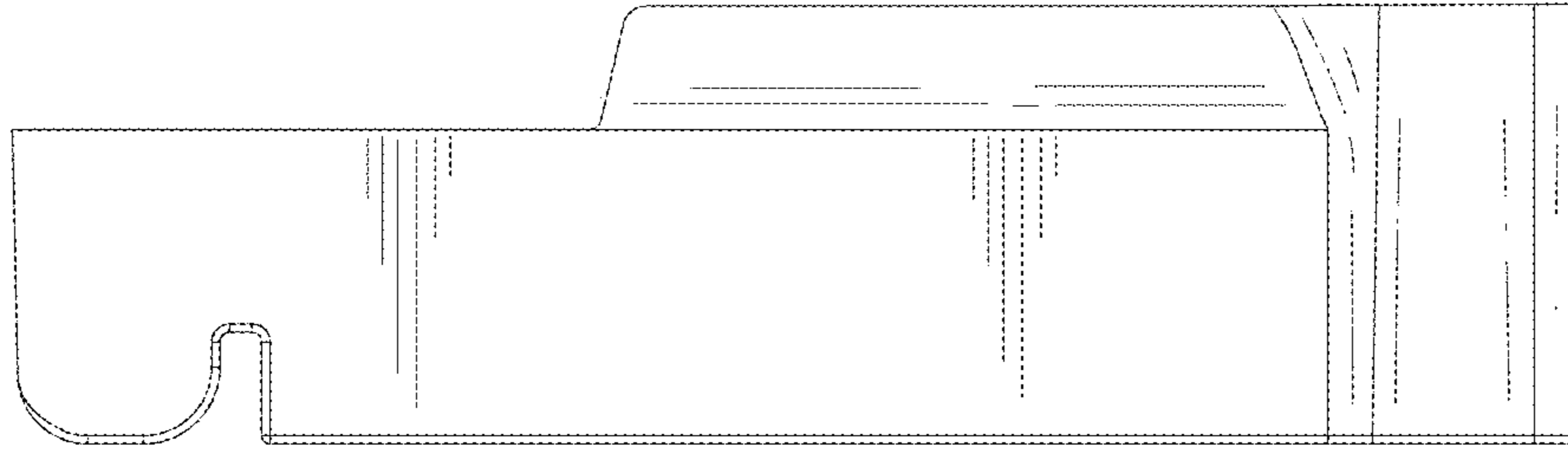


FIG. 6

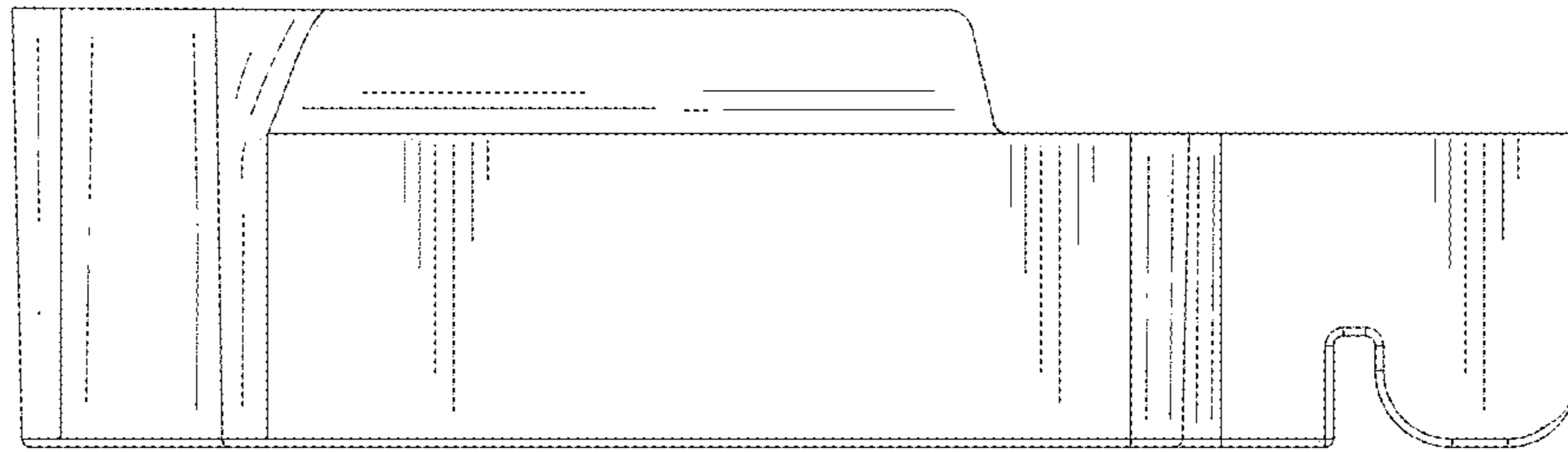


FIG. 7