



US00D946897S

(12) **United States Design Patent** (10) **Patent No.:** **US D946,897 S**
Kraemer (45) **Date of Patent:** **** *Mar. 29, 2022**

(54) **BIN** 206/503–507, 510, 512, 564, 822;
220/607, 643, 659, 676, 657; 229/100,
229/406, 913–914; D6/683, 683.1, 705,
D6/573, 574
(71) Applicant: **InterDesign, Inc.**, Solon, OH (US)
(72) Inventor: **Kevin Francis Kraemer**, Cuyahoga Falls, OH (US) CPC B65D 81/3813; B65D 21/00
See application file for complete search history.

(73) Assignee: **InterDesign, Inc.**, Solon, OH (US)
(*) Notice: This patent is subject to a terminal disclaimer.
(**) Term: **15 Years**
(21) Appl. No.: **29/756,953**
(22) Filed: **Nov. 2, 2020**

(56) **References Cited**
U.S. PATENT DOCUMENTS
3,813,256 A 5/1974 Feinberg
D292,634 S 11/1987 Chabot
(Continued)

OTHER PUBLICATIONS
Amazon.com, iDesign 72530 Fridge Plastic Storage Organizer Bin with Handles, Oct. 28, 2019, <https://www.amazon.com/InterDesign-Condiment-Storage-Container-Refrigerator/dp/B009L3LVNW/> (Year: 2019).*

Primary Examiner — Nathan M Johnston
(74) *Attorney, Agent, or Firm* — Calfee, Halter & Griswold LLP

Related U.S. Application Data

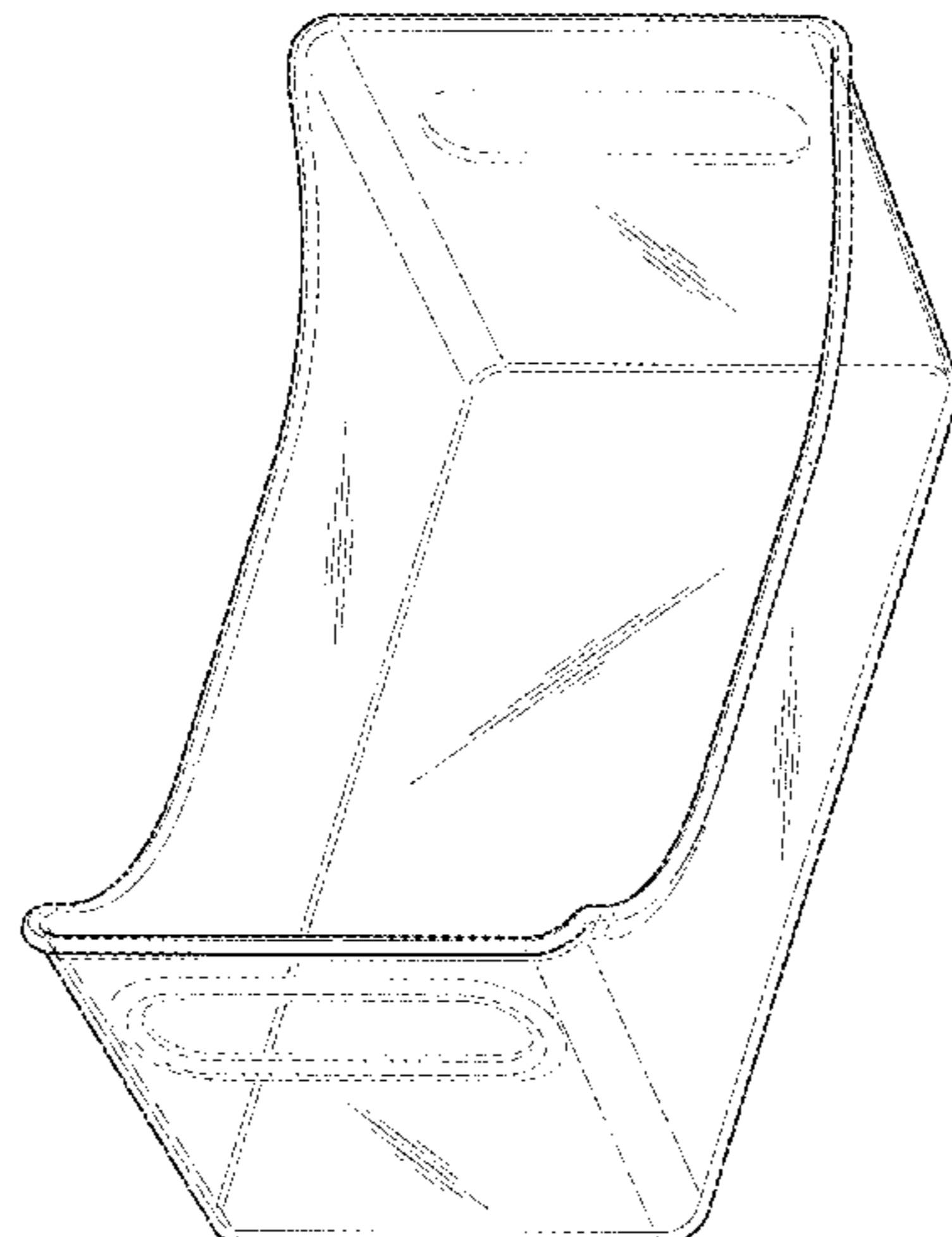
(60) Continuation of application No. 29/733,311, filed on Apr. 30, 2020, now Pat. No. Des. 902,625, which is a division of application No. 29/712,033, filed on Nov. 5, 2019, now Pat. No. Des. 893,874, which is a continuation of application No. 29/656,713, filed on Jul. 16, 2018, now Pat. No. Des. 878,050, which is a continuation of application No. 29/614,789, filed on Aug. 23, 2017, now Pat. No. Des. 826,061, which is a continuation of application No. 29/551,071, filed on Jan. 11, 2016, now Pat. No. Des. 799,219, which is a continuation of application No. 29/503,223, filed on Sep. 24, 2014, now Pat. No. Des. 750,443, which is a continuation of application No. 29/480,138, filed on
(Continued)

(57) **CLAIM**
I claim the ornamental design for a bin, as shown and described.

(51) **LOC (13) Cl.** **09-04**
(52) **U.S. Cl.**
USPC **D3/307**; D3/304; D6/683
(58) **Field of Classification Search**
USPC D3/307–309, 200–201, 203.1, 203.3,
D3/205–206, 303–315; D32/37;
D9/643–644, 645–647, 703, 425–426,
D9/432; D19/75, 77, 86, 90, 92, 100;

DESCRIPTION

FIG. 1 is a front/right/top perspective view of a bin (a front/left/top perspective view would be a mirror image thereof);
FIG. 2 is a rear/left/bottom perspective view thereof (a rear/right/bottom perspective view would be a mirror image thereof);
FIG. 3 is a front elevational view thereof (a rear elevational view would be a mirror image thereof);
FIG. 4 is a left side elevational view thereof (a right side elevational view would be a mirror image thereof);
FIG. 5 is a top plan view thereof; and,
FIG. 6 is a bottom plan view thereof.
(Continued)



The broken lines depict portions of the bin that form no part of the claimed design.

1 Claim, 5 Drawing Sheets

Related U.S. Application Data

Jan. 23, 2014, now abandoned, which is a continuation of application No. 29/444,254, filed on Jan. 29, 2013, now Pat. No. Des. 698,612.

(56)

References Cited

U.S. PATENT DOCUMENTS

D495,490 S 9/2004 Garrett
D530,918 S 10/2006 Snell
D596,311 S 7/2009 Antons
D692,668 S 11/2013 Hu
D732,827 S 6/2015 Suomela

D746,593 S * 1/2016 Kroll D3/307
D747,102 S * 1/2016 Kraemer D3/307
D751,318 S * 3/2016 Kraemer D6/525
9,386,865 B2 7/2016 Bally
D772,575 S * 11/2016 Stelmarski D3/304
D806,391 S 1/2018 Ghiorghie
D809,797 S * 2/2018 Kraemer D3/307
D825,923 S 8/2018 Suomela
D832,115 S * 10/2018 Fitchett D9/711
D842,606 S * 3/2019 Kraemer D3/307
D842,607 S 3/2019 Kraemer
D866,973 S * 11/2019 Snell D3/314
D872,482 S 1/2020 Harvey
D878,051 S * 3/2020 Kraemer D3/307
D887,141 S * 6/2020 Mazor D3/307
D893,874 S * 8/2020 Kraemer D3/310
D895,289 S 9/2020 Greenwood
D895,970 S * 9/2020 Kraemer D3/310
D902,594 S * 11/2020 Kraemer D3/310
D907,365 S 1/2021 Roe
D912,985 S 3/2021 Kraemer
D915,073 S 4/2021 Kraemer
D925,229 S 7/2021 Kraemer

* cited by examiner

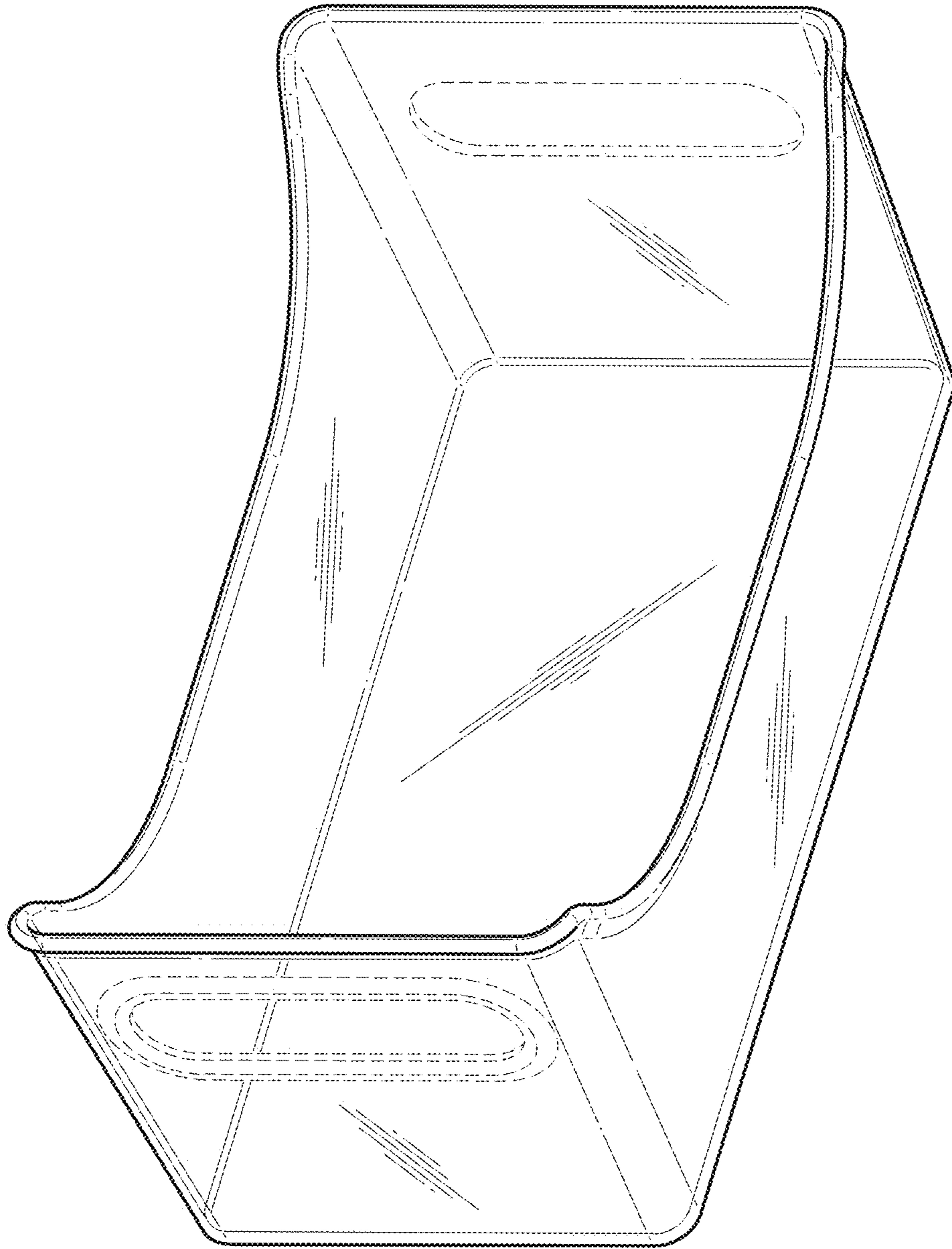


FIG. 1

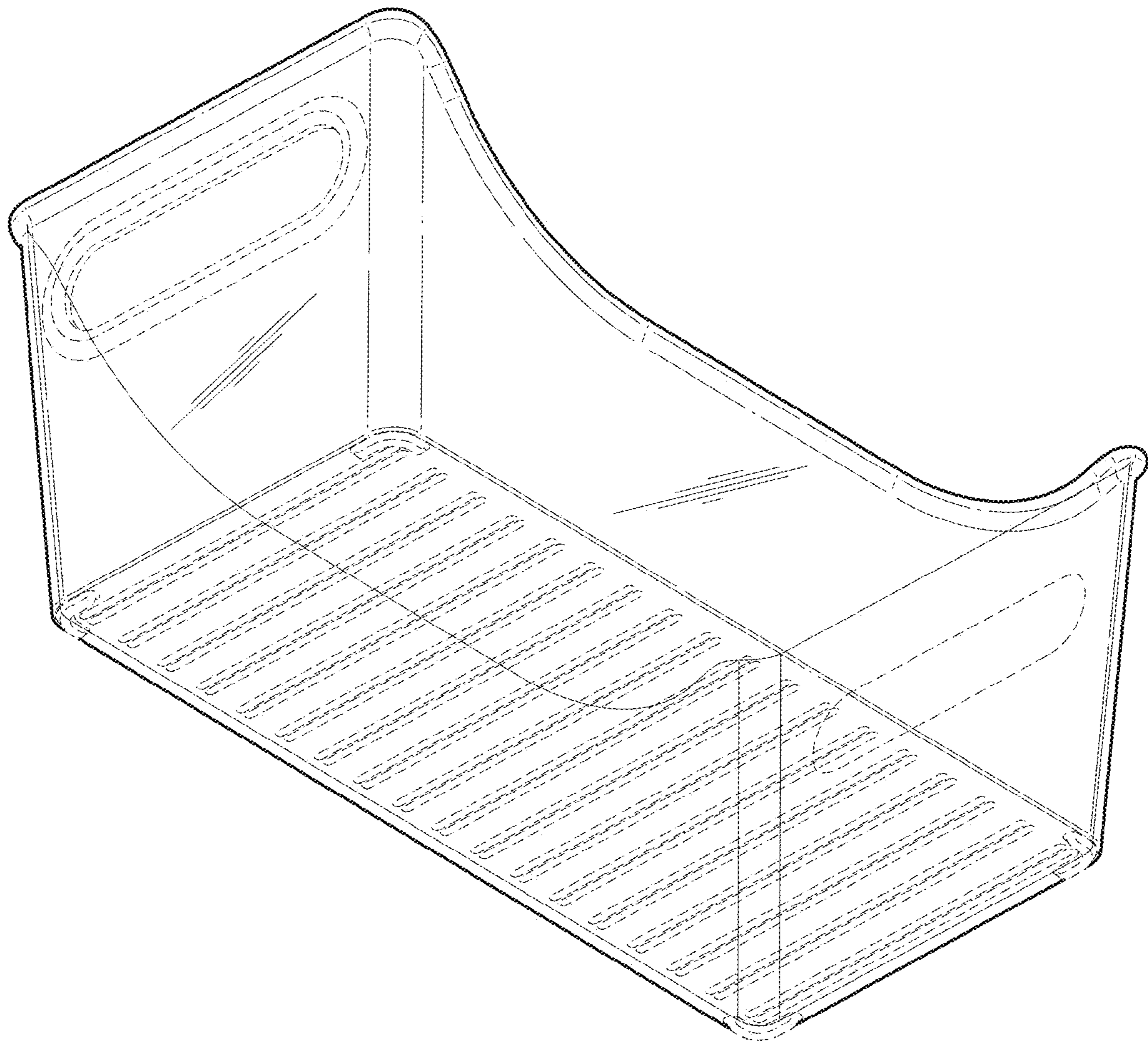


FIG. 2

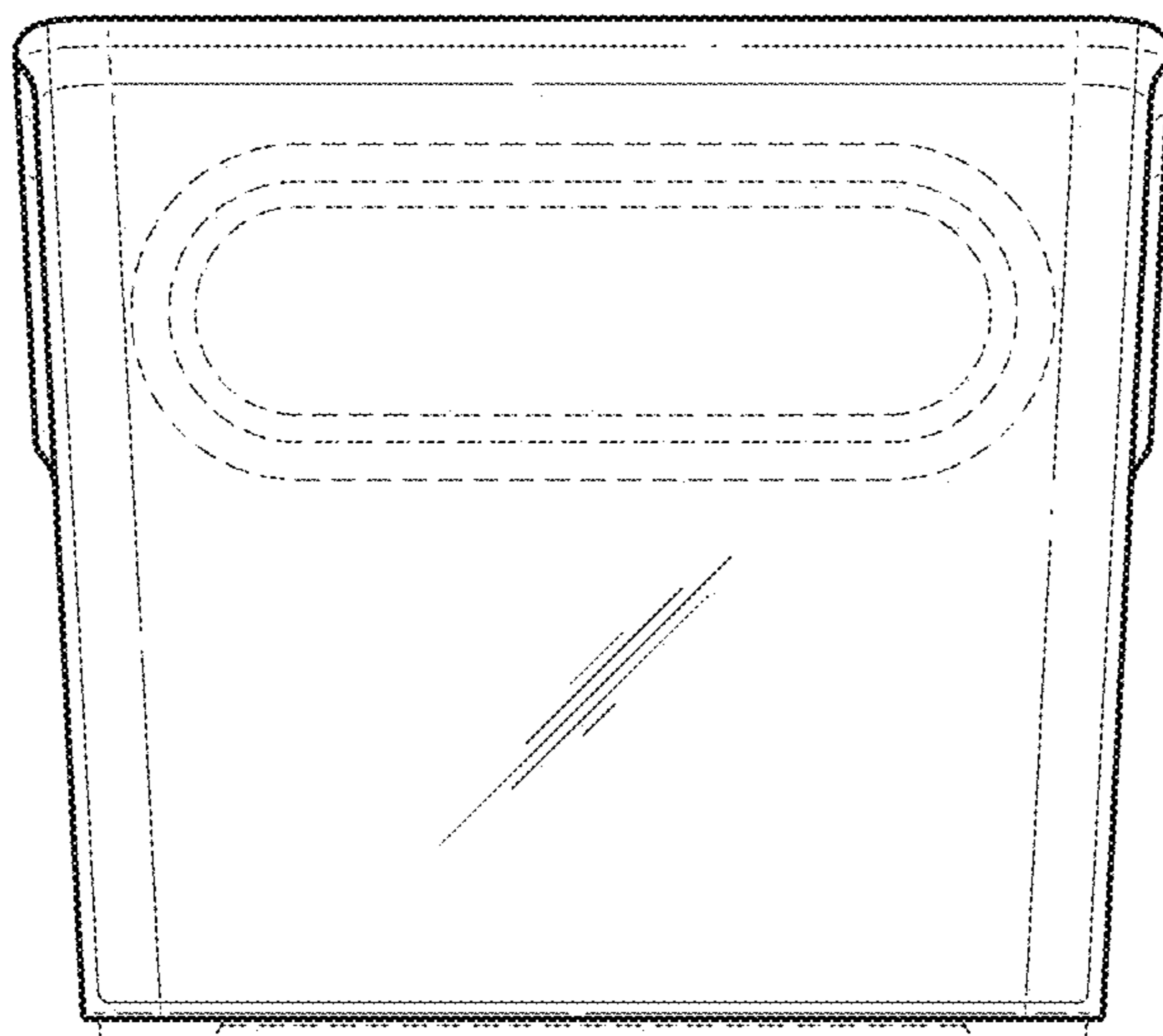


FIG. 3

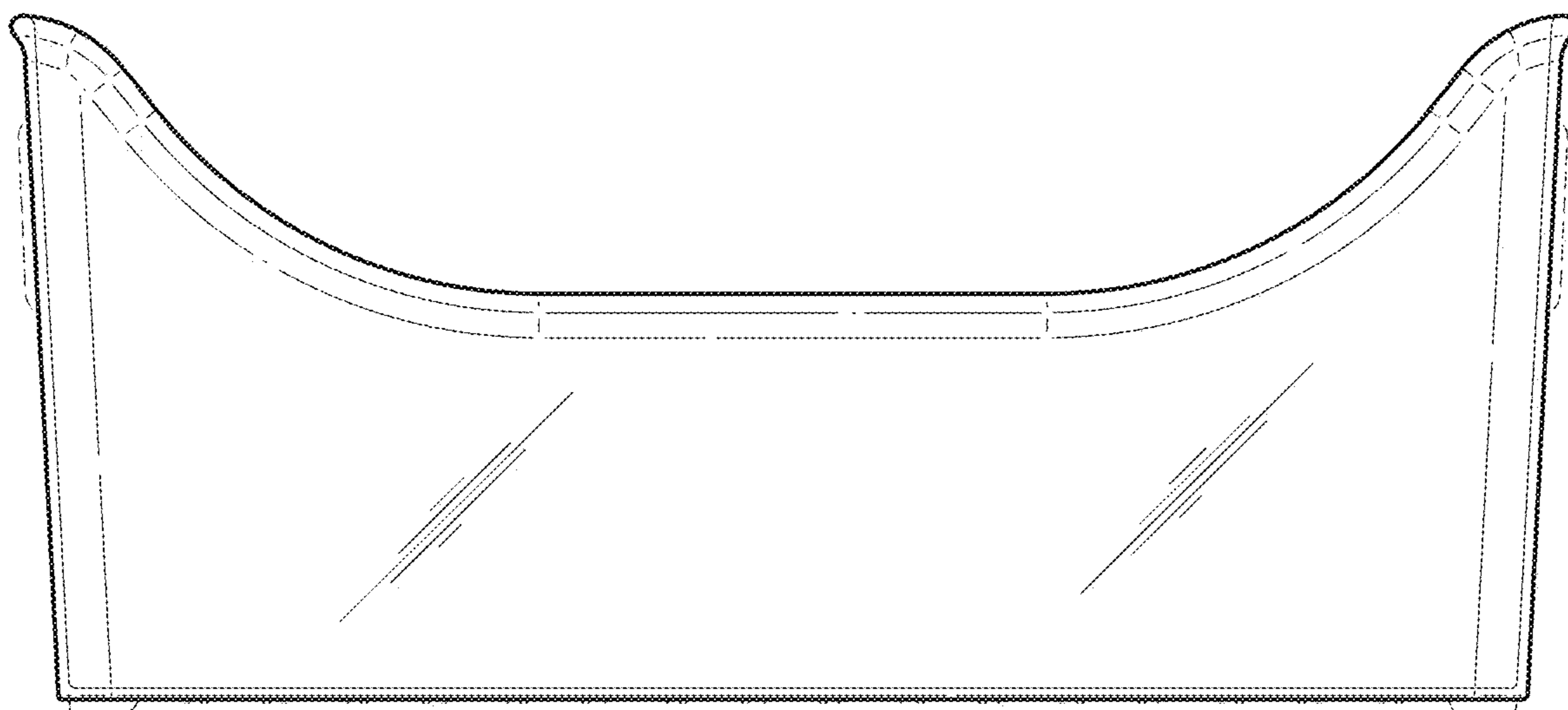


FIG. 4

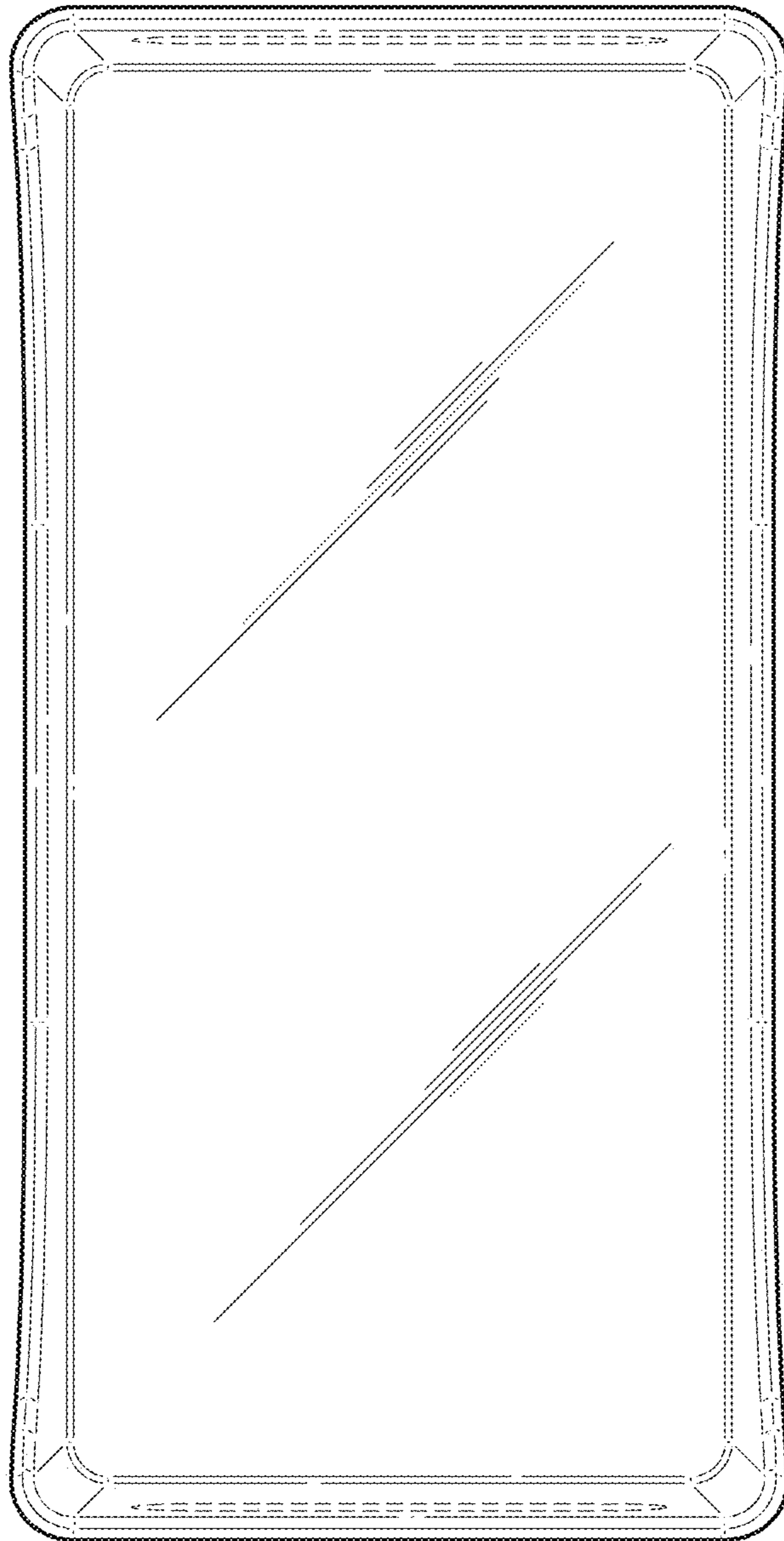


FIG. 5

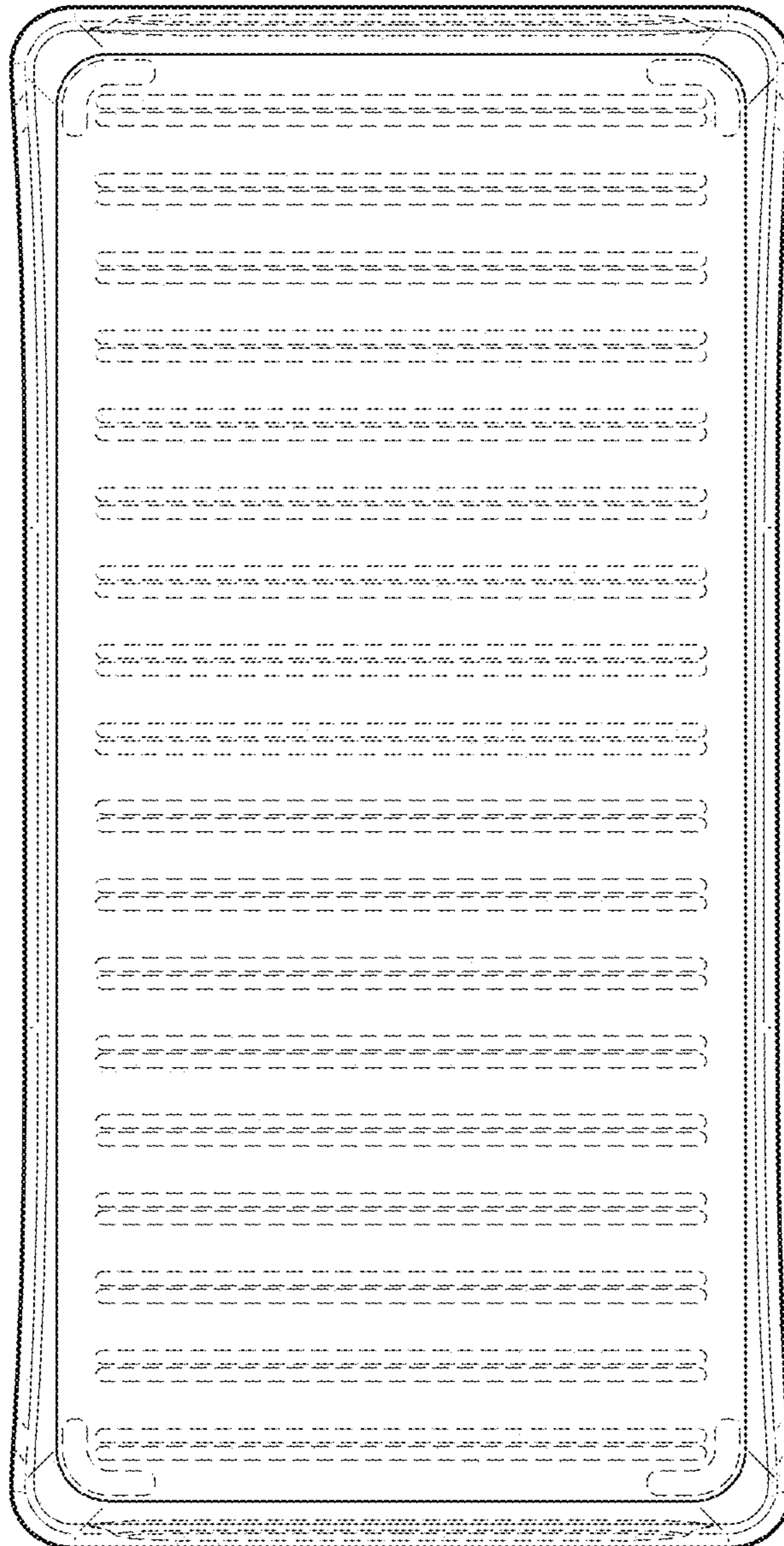


FIG. 6