



US00D946896S

(12) **United States Design Patent**
Laker et al.

(10) **Patent No.:** **US D946,896 S**
(45) **Date of Patent:** **** Mar. 29, 2022**

(54) **RING BOX**

Primary Examiner — Kevin K Rudzinski

Assistant Examiner — Amber J Rabie

(71) Applicant: **Diamonds Direct, LC**, Draper, UT (US)

(74) *Attorney, Agent, or Firm* — Workman Nydegger

(72) Inventors: **Eric R. Laker**, Draper, UT (US); **Kyle S. Rohbock**, Bountiful, UT (US)

(57) **CLAIM**

(73) Assignee: **DIAMONDS DIRECT, LC**, Draper, UT (US)

The ornamental design for a ring box, as shown and described.

(**) Term: **15 Years**

DESCRIPTION

(21) Appl. No.: **29/759,640**

(22) Filed: **Nov. 24, 2020**

(51) **LOC (13) Cl.** **03-01**

(52) **U.S. Cl.**
USPC **D3/302**

(58) **Field of Classification Search**
USPC D3/201, 207, 208, 209, 210, 211, 212,
D3/203.2, 203.3, 229, 260, 262, 302, 316
CPC A45C 11/16; A47F 7/03
See application file for complete search history.

(56) **References Cited**

U.S. PATENT DOCUMENTS

D446,388 S * 8/2001 Rivera D3/208
D591,563 S * 5/2009 Johnson D7/624.2
D827,388 S * 9/2018 Kander A63H 33/28
D7/608
D859,087 S * 9/2019 Tarbutton A47G 23/0233
D7/607
D861,476 S * 10/2019 Rogers D9/418
D875,053 S * 2/2020 Shono D13/182

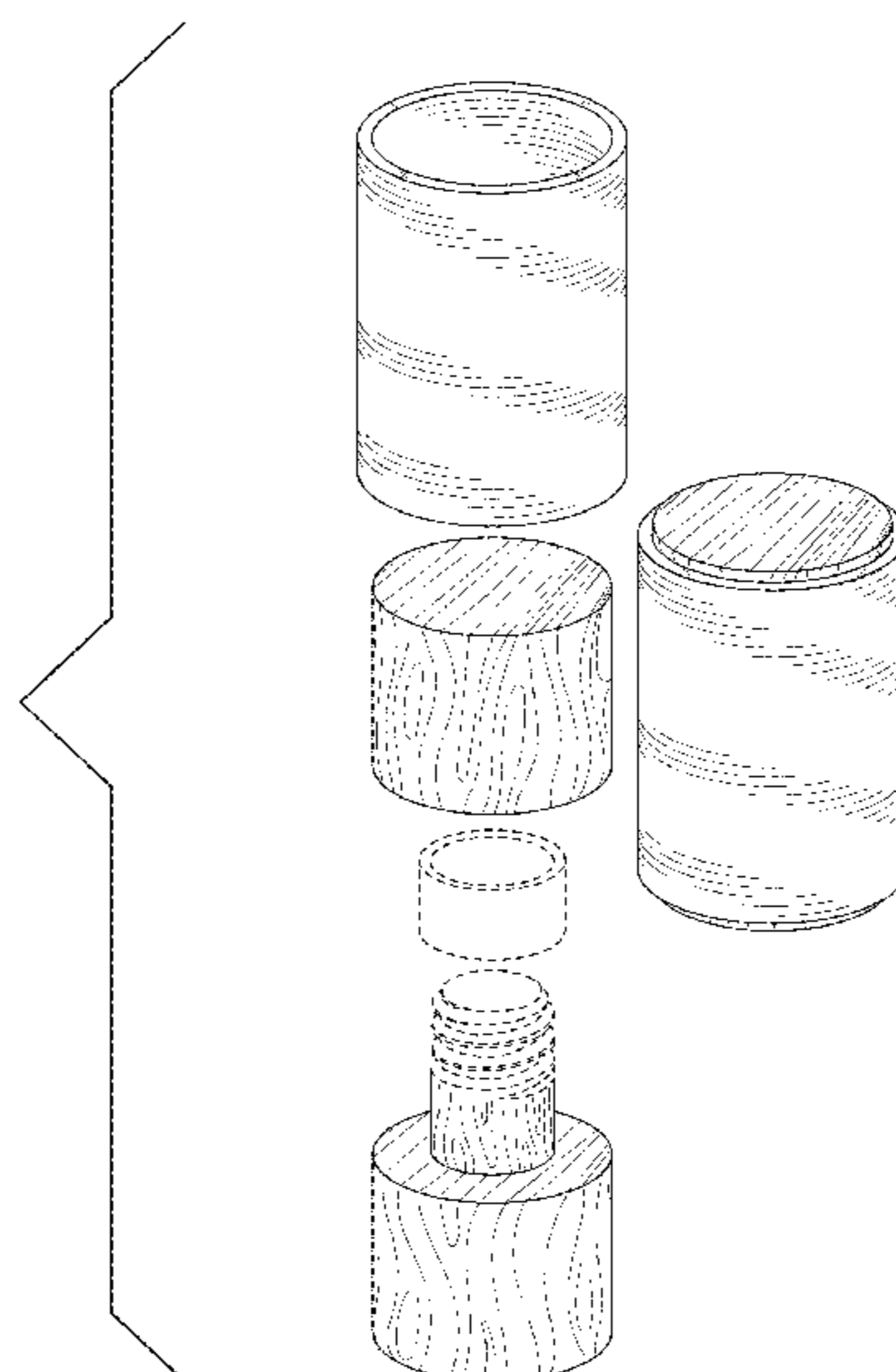
(Continued)

OTHER PUBLICATIONS

Mumusuki Bamboo Tea Jar, announced Mar. 16, 2020 [online], [site visited Nov. 10, 2021]. Available from internet, URL: <<https://www.amazon.com/dp/B085PYRCZK/?th=1>> (Year: 2020).*

FIG. 1 is an exploded top, facing, right perspective view of my new design for a ring box;
FIG. 2 is a facing view thereof;
FIG. 3 is a rear view thereof;
FIG. 4 is a top plan view thereof;
FIG. 5 is a bottom plan view thereof;
FIG. 6 is an elevated left side view thereof; and
FIG. 7 is an elevated right side view thereof.
FIG. 8 is top, facing, right perspective view of another embodiment of my new design for a ring box;
FIG. 9 is a facing view thereof;
FIG. 10 is a rear view thereof;
FIG. 11 is a top plan view thereof;
FIG. 12 is a bottom plan view thereof;
FIG. 13 is an elevated left side view thereof; and
FIG. 14 is an elevated right side view thereof.
FIG. 15 is partially separated top, facing, right perspective view of another embodiment of my new design for a ring box;
FIG. 16 is a facing view thereof;
FIG. 17 is a rear view thereof;
FIG. 18 is a top plan view thereof;
FIG. 19 is a bottom plan view thereof;
FIG. 20 is an elevated left side view thereof; and,
FIG. 21 is an elevated right side view thereof.
Dotted lines represent unclaimed subject matter that forms no part of the claimed design.

1 Claim, 13 Drawing Sheets



(56)

References Cited

U.S. PATENT DOCUMENTS

2,504,942 A * 4/1950 Young A47F 7/03
206/45.2
5,186,350 A * 2/1993 McBride A47G 23/0233
206/818
10,717,020 B2 * 7/2020 Schramm A63H 33/28
10,717,587 B2 * 7/2020 Tarbutton B65D 81/3876
2006/0289321 A1 * 12/2006 Karfias A45C 11/16
206/413
2012/0067881 A1 * 3/2012 Thomas B65D 21/086
220/8
2019/0119035 A1 * 4/2019 Zabloski B65D 7/04

* cited by examiner

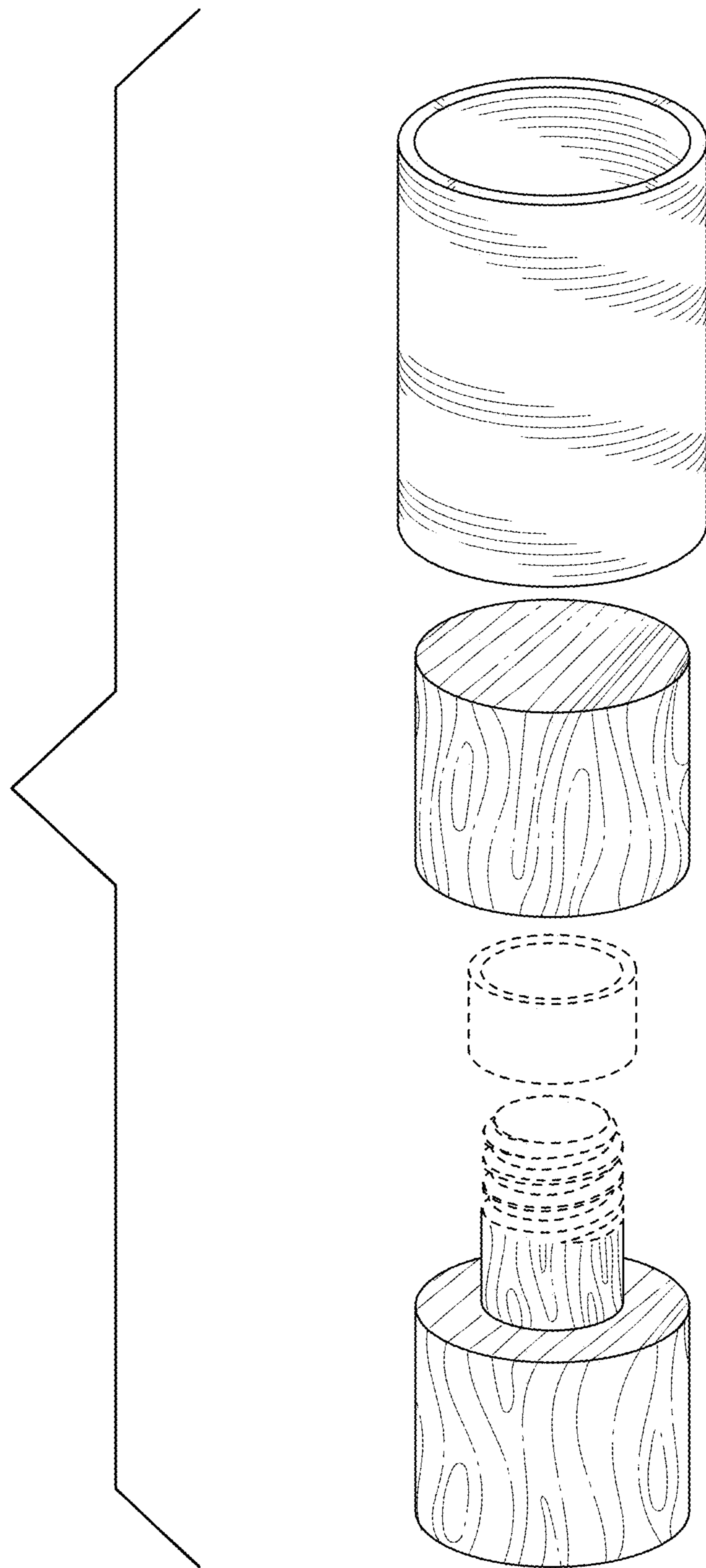


FIG. 1

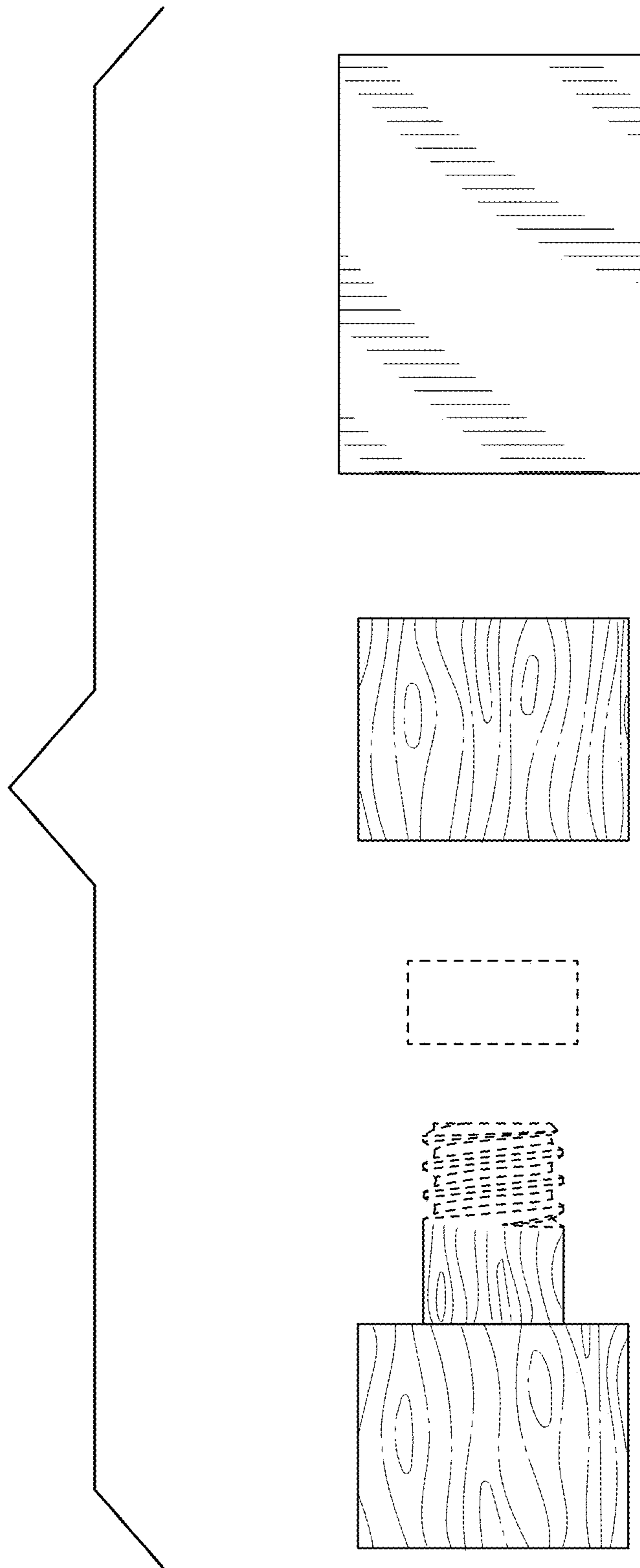


FIG. 2

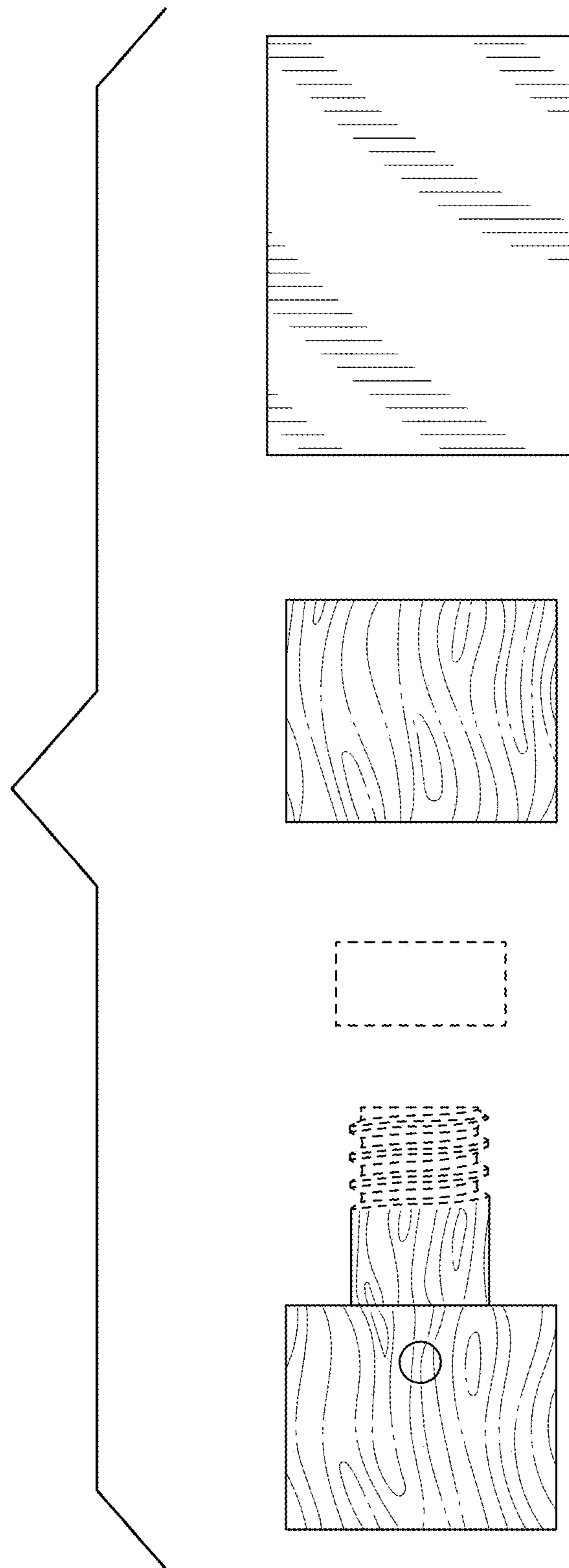


FIG. 3

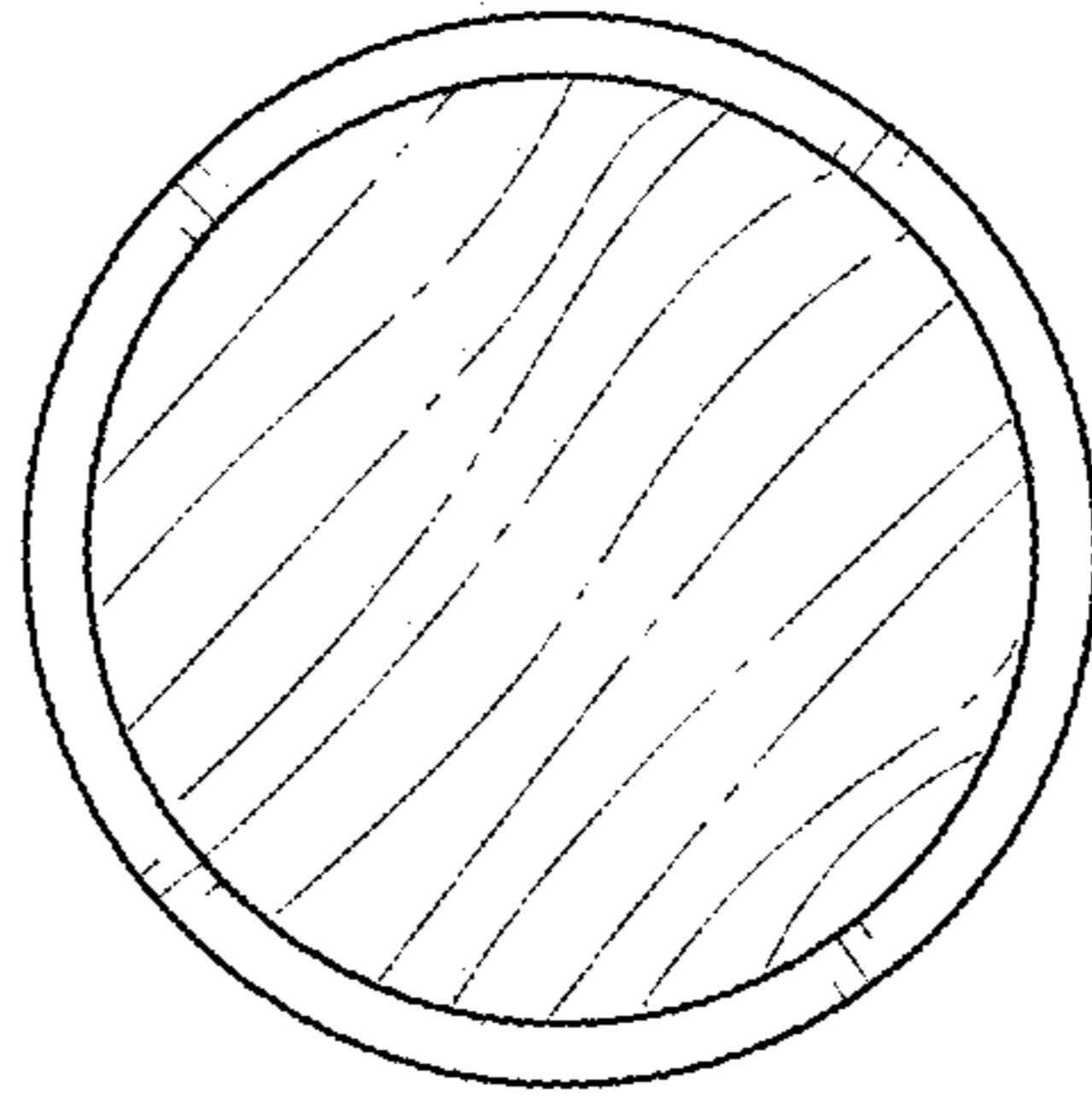


FIG. 4

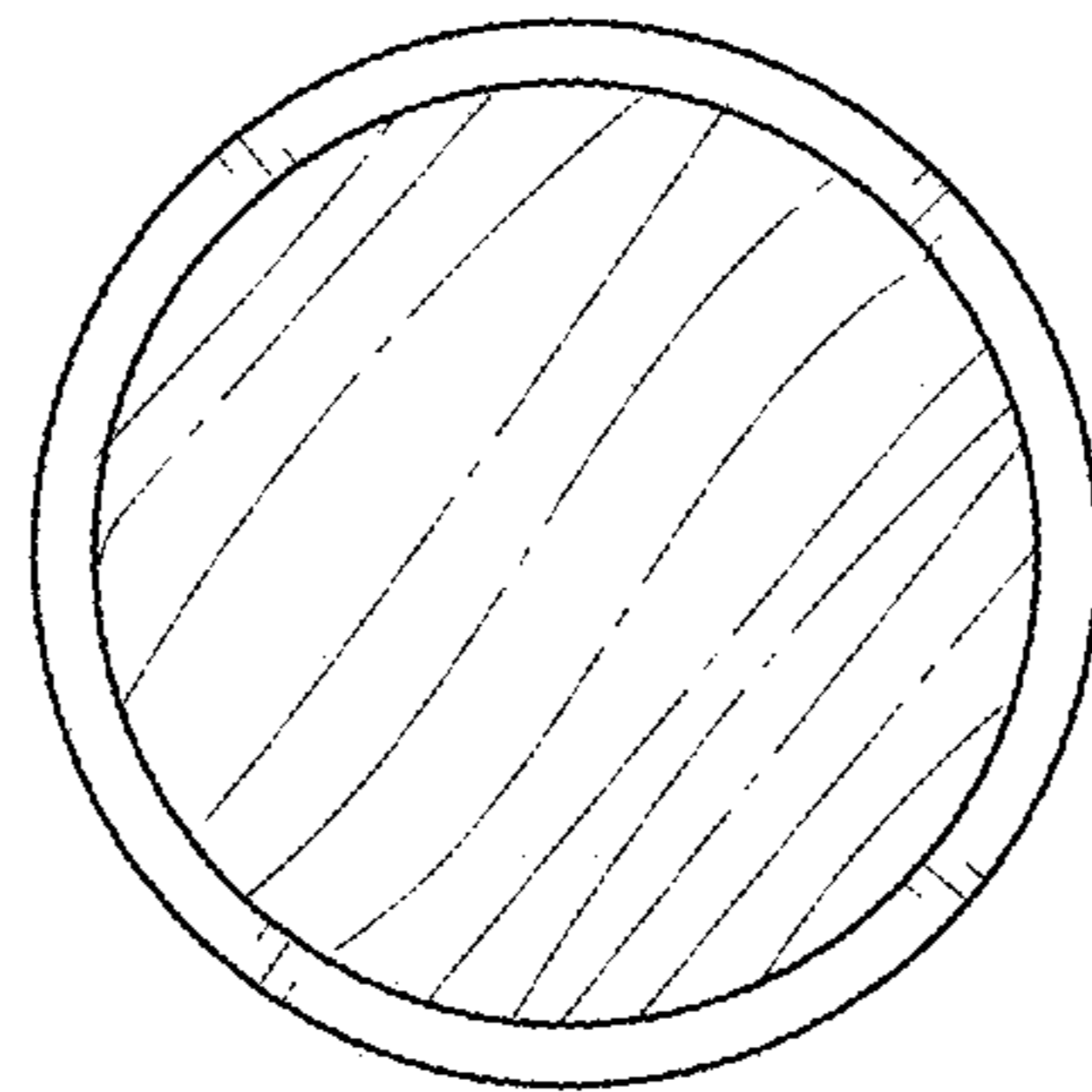


FIG. 5

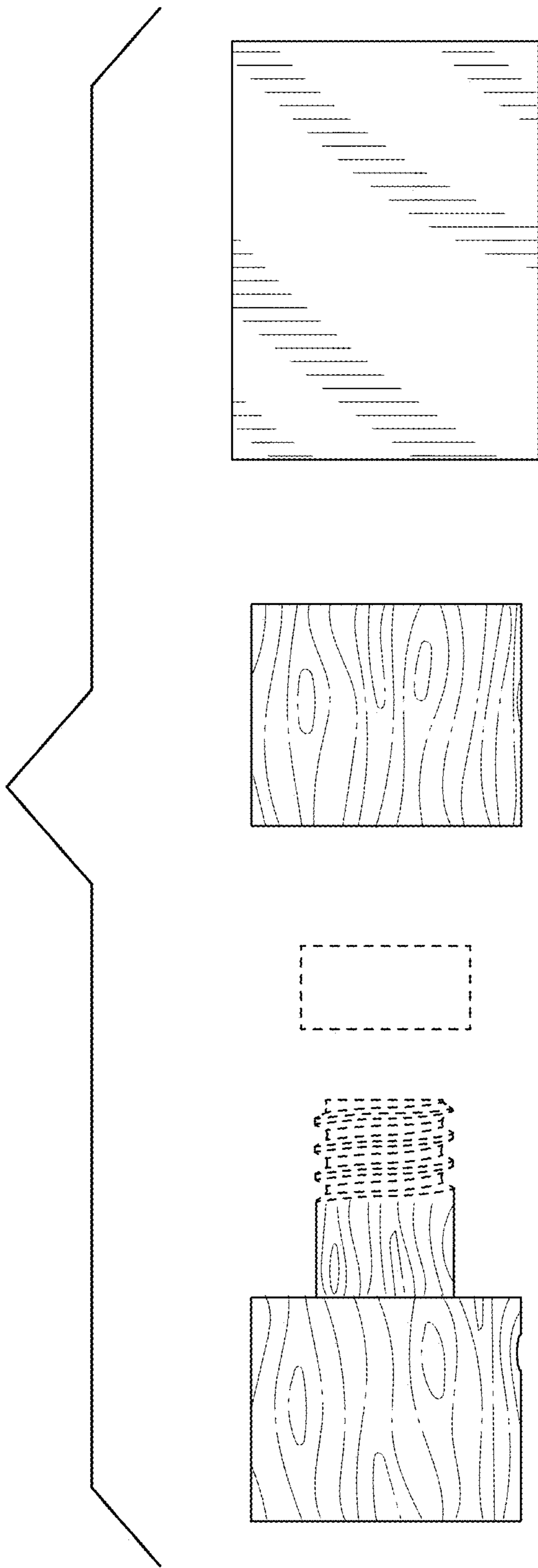


FIG. 6

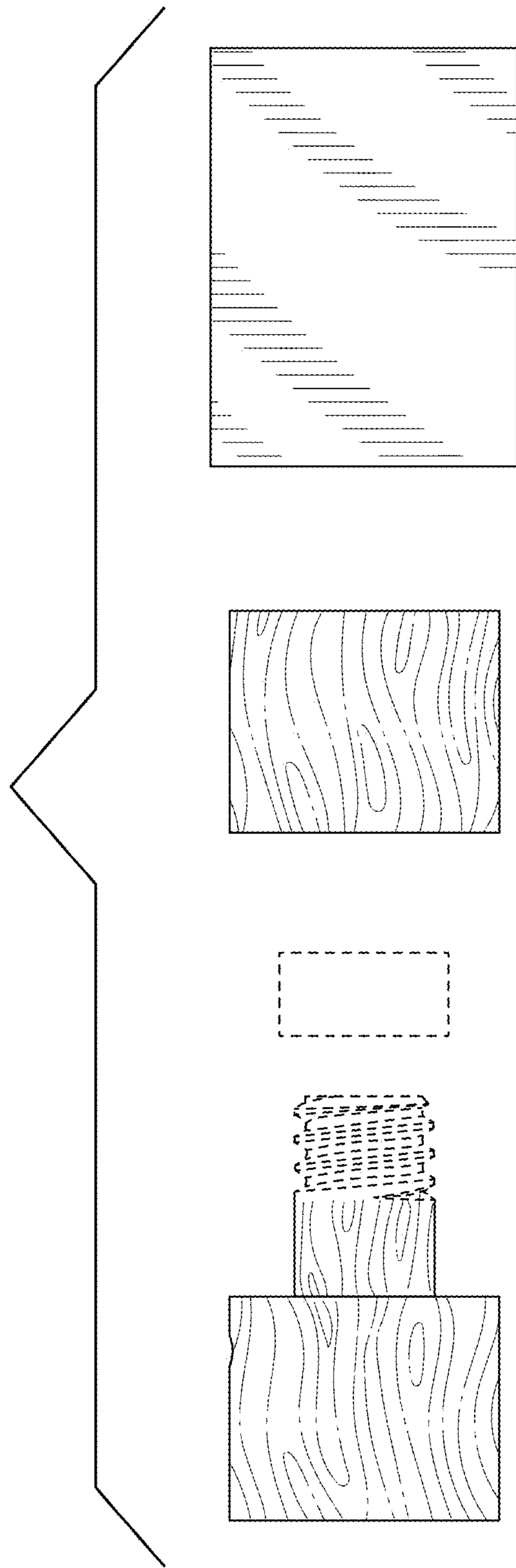


FIG. 7

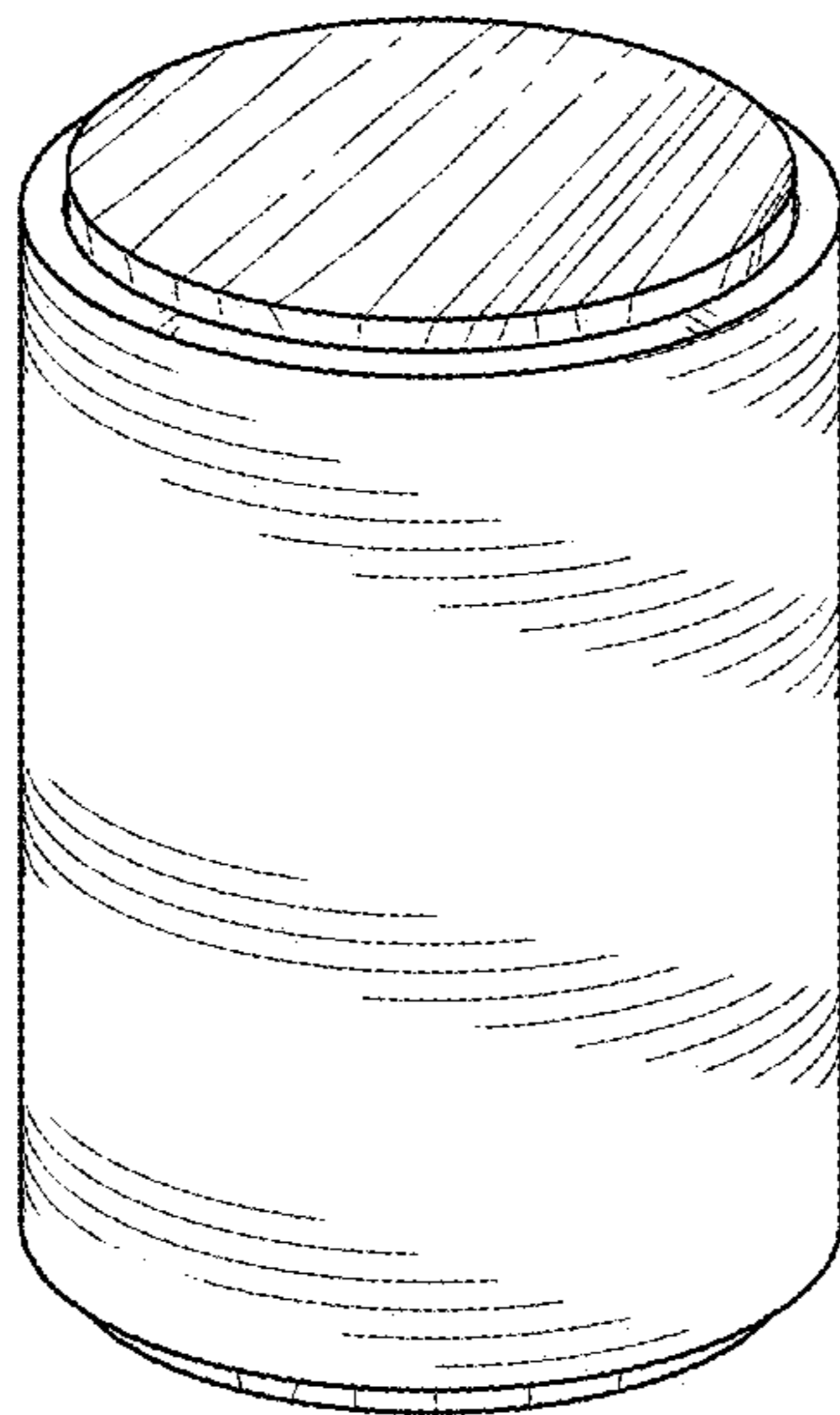


FIG. 8

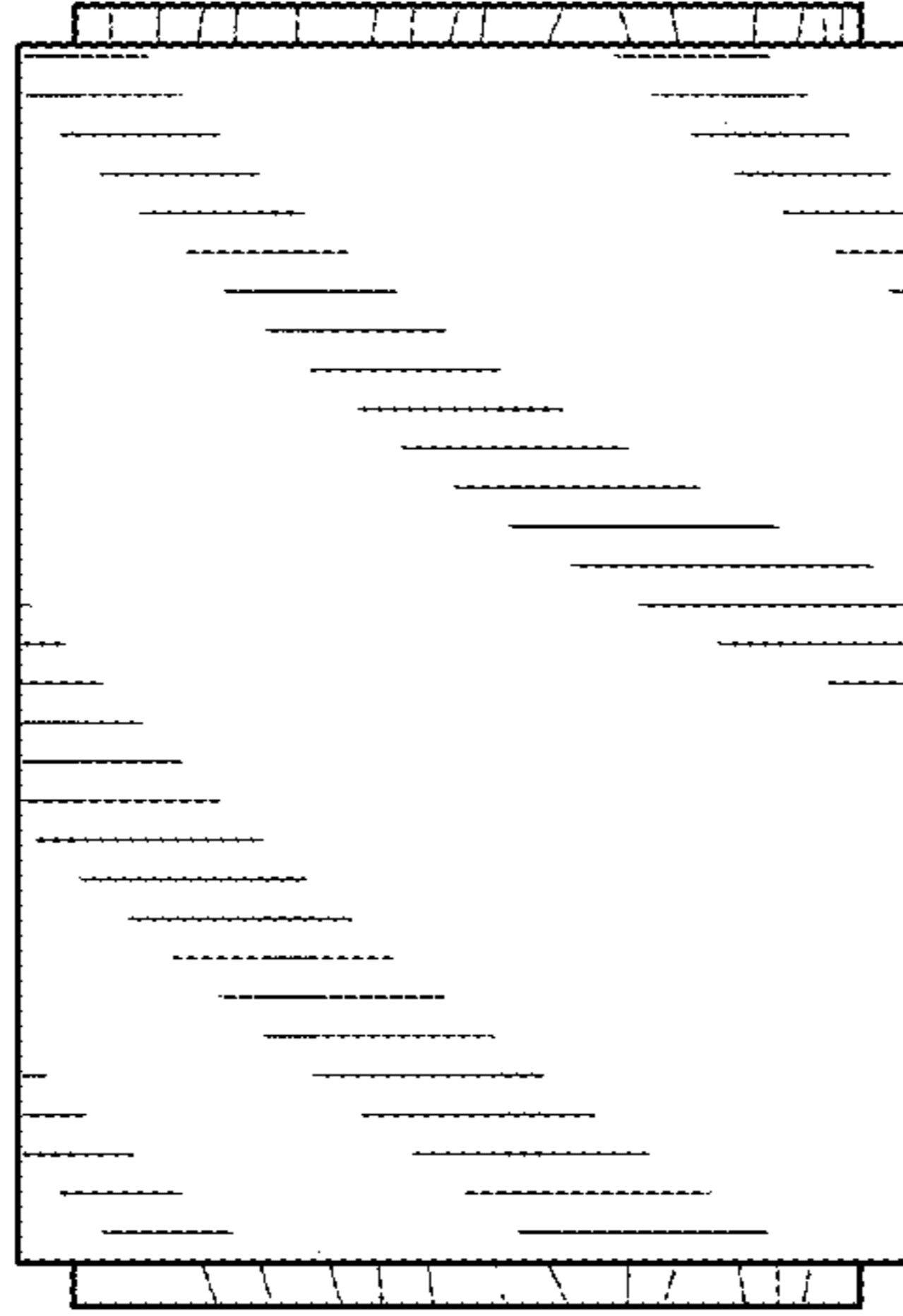


FIG. 9

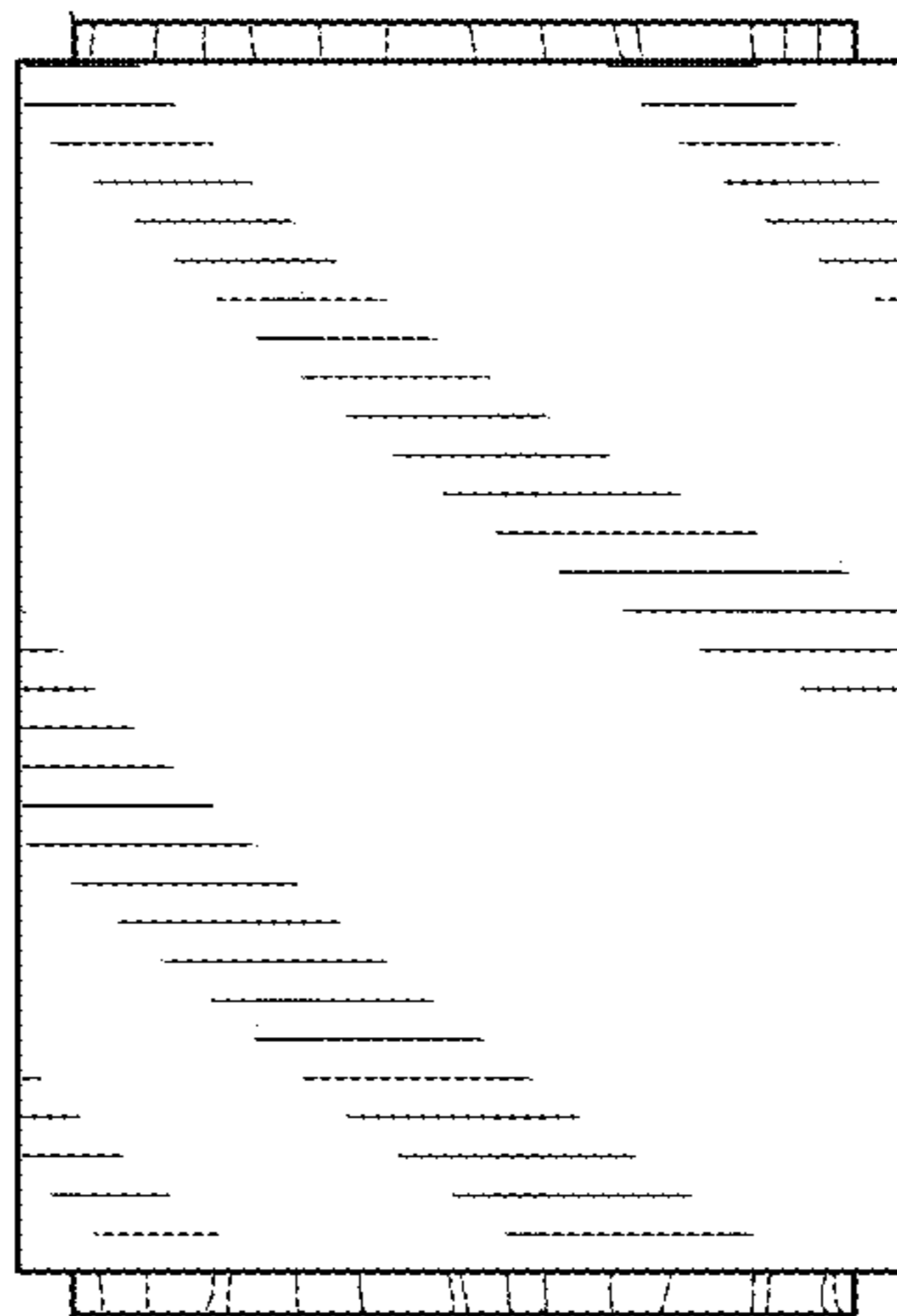


FIG. 10

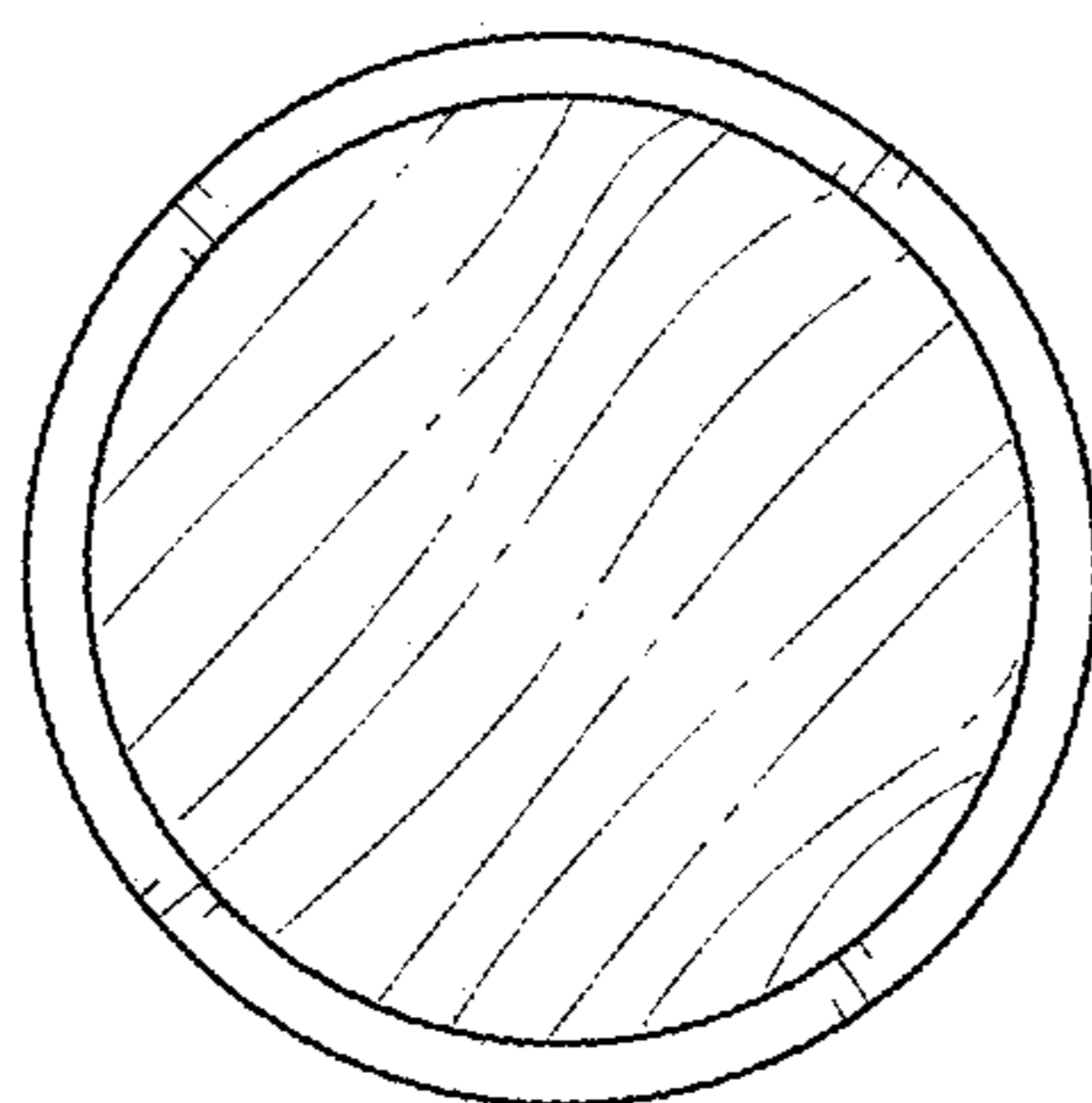


FIG. 11

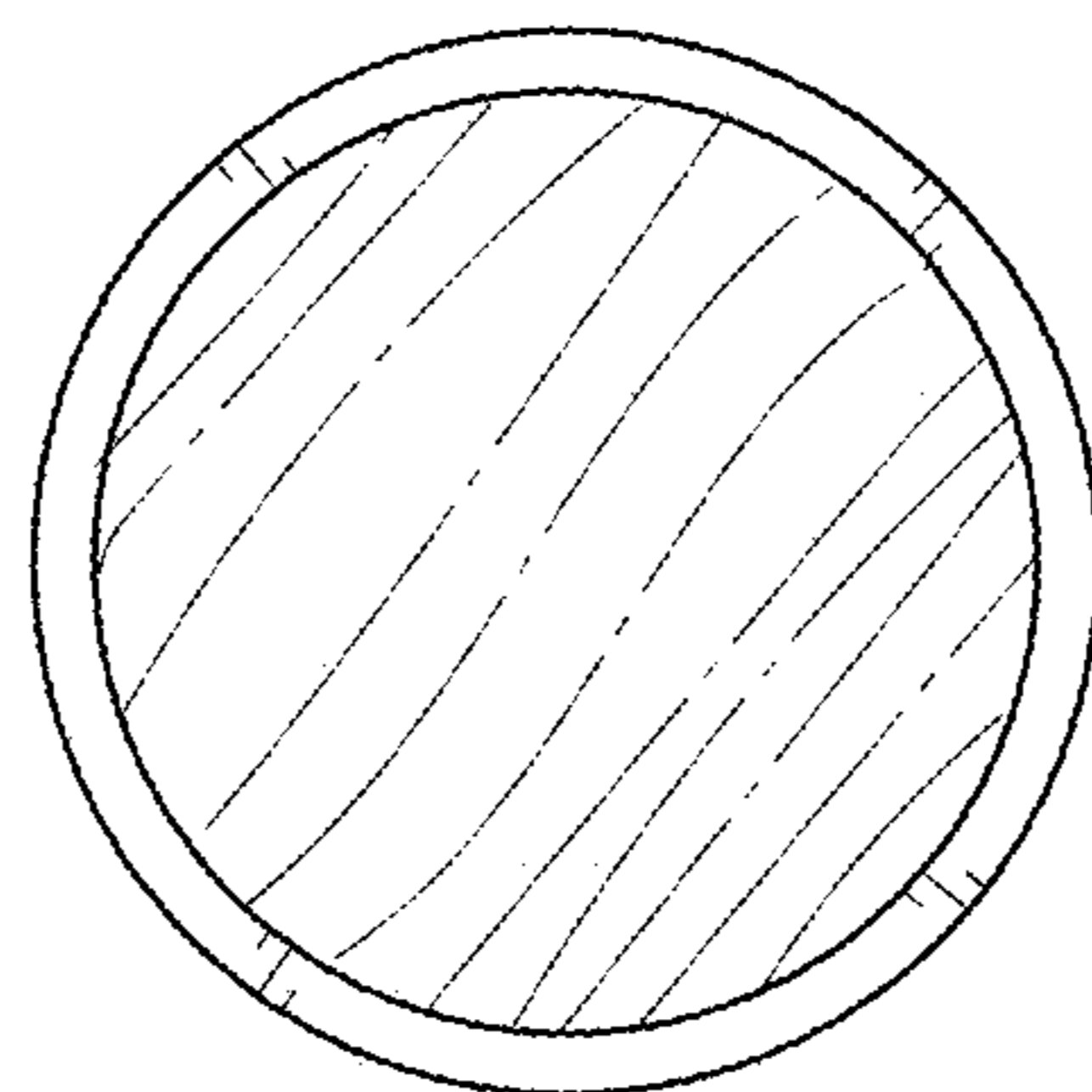


FIG. 12

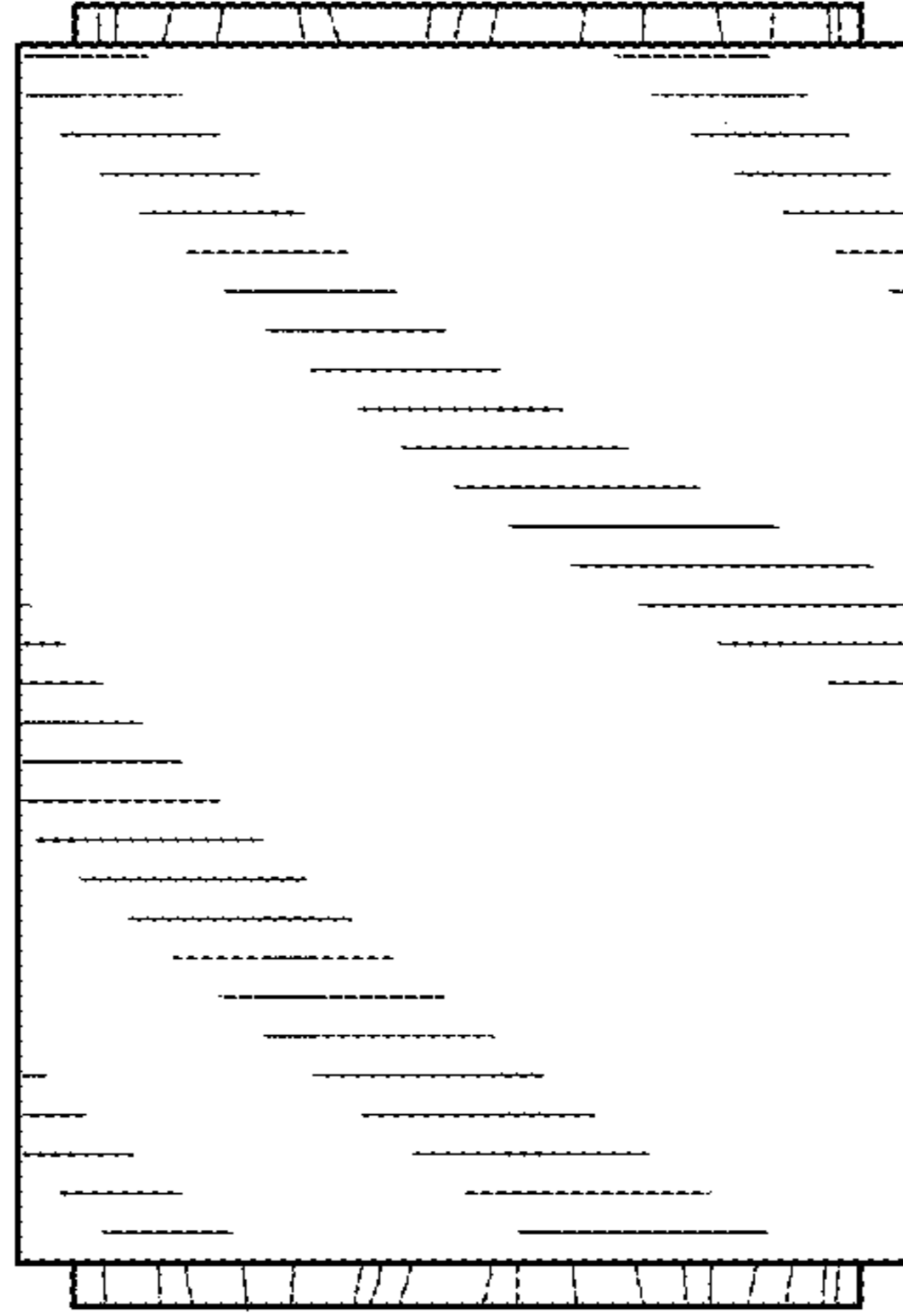


FIG. 13

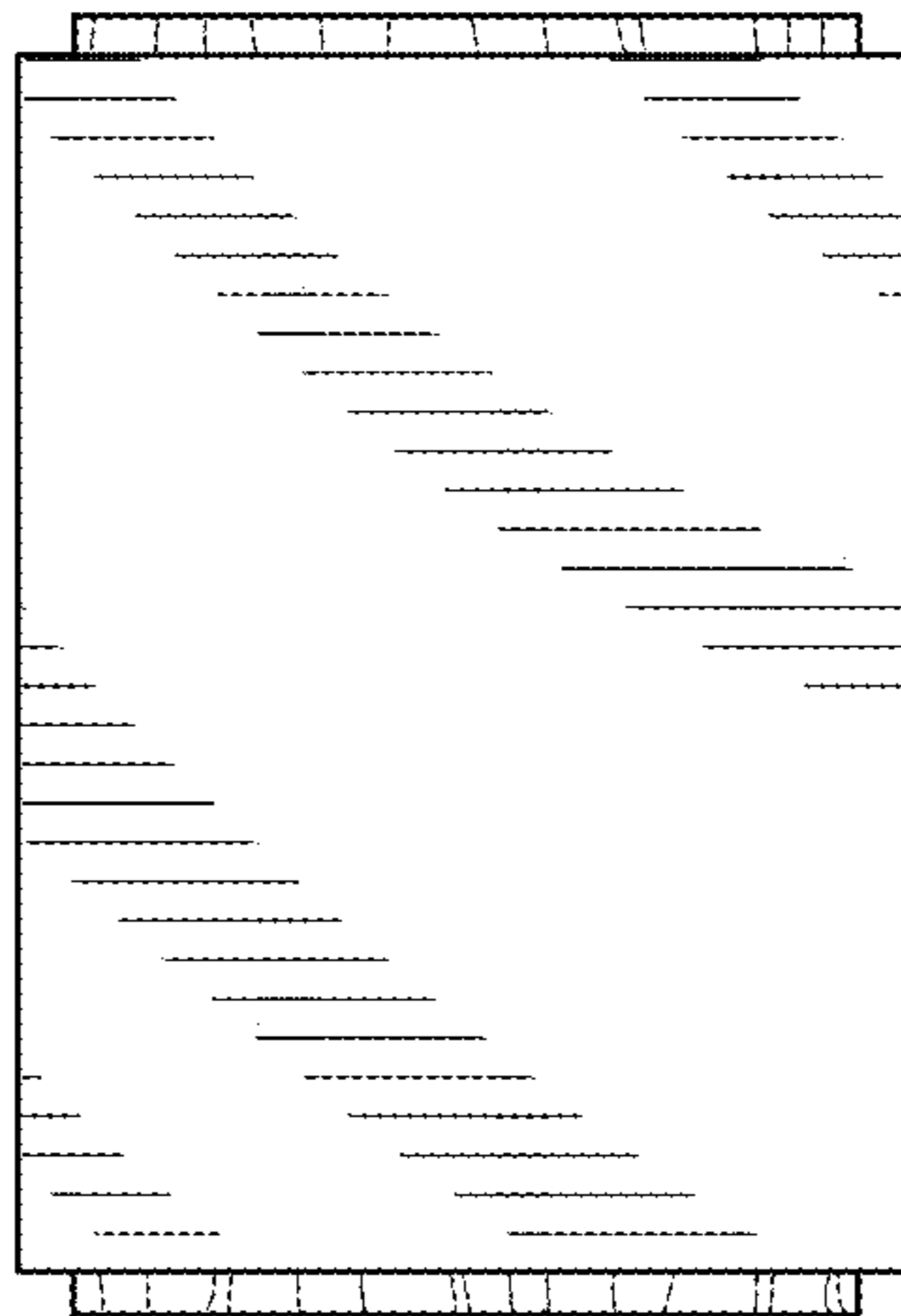


FIG. 14

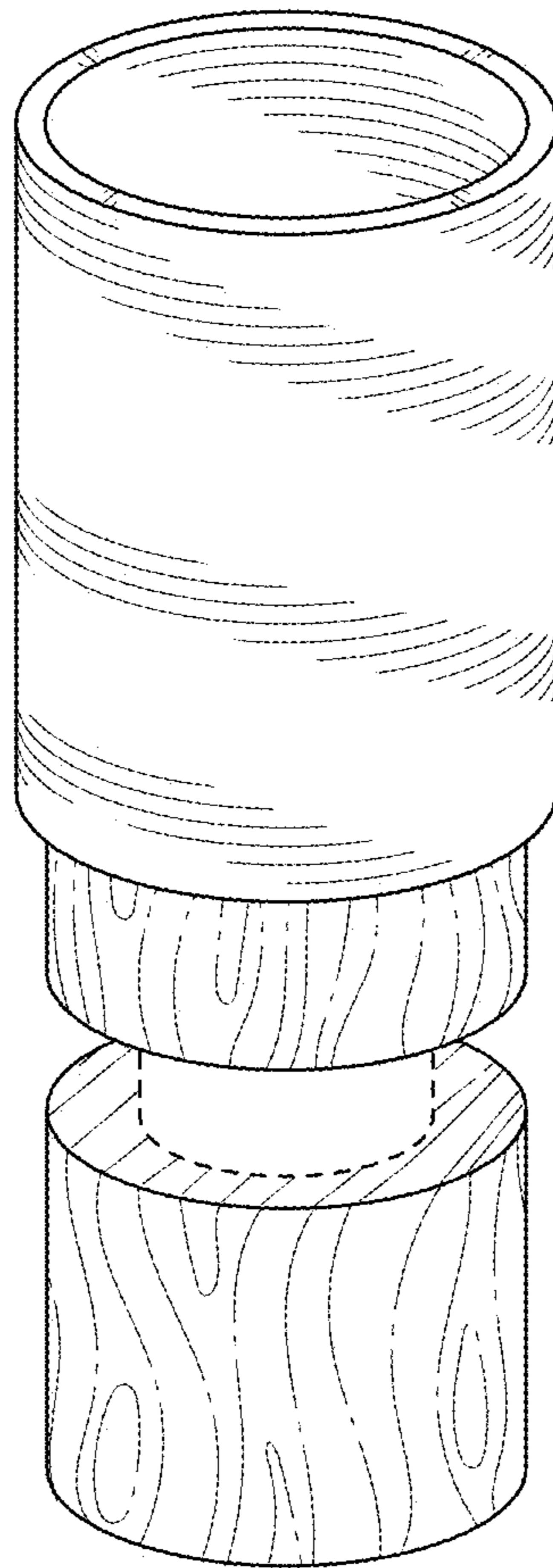


FIG. 15

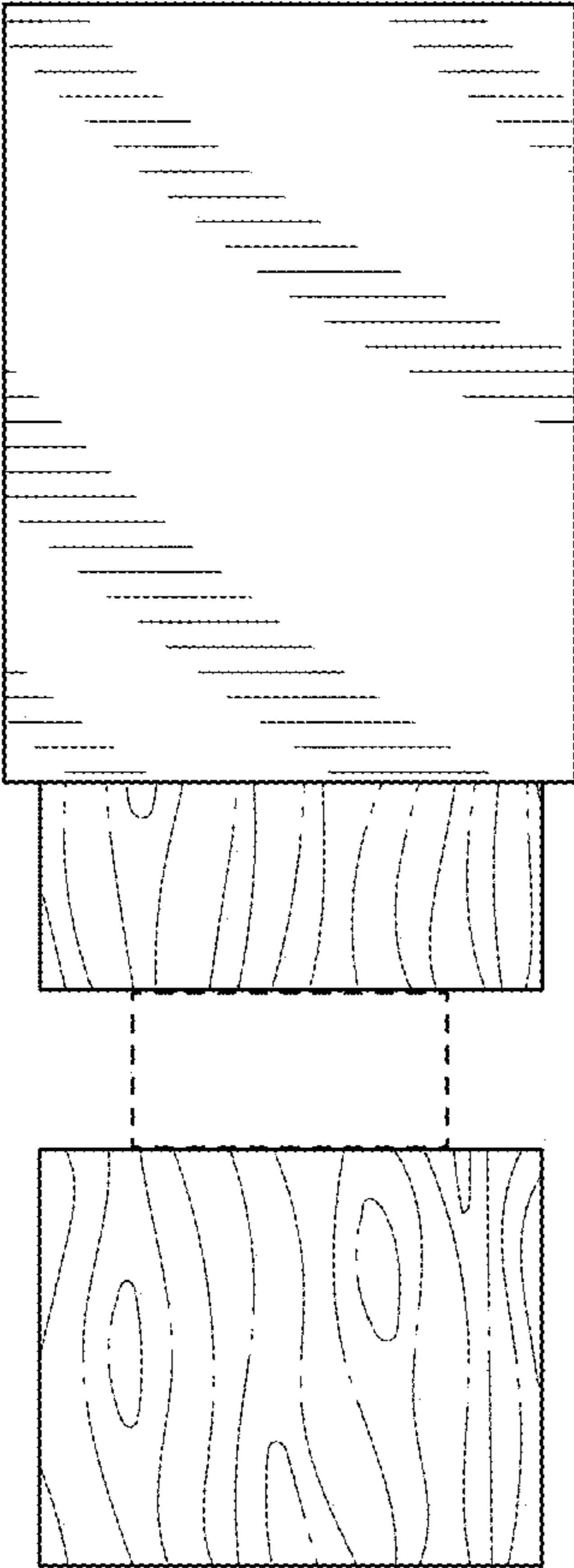


FIG. 16

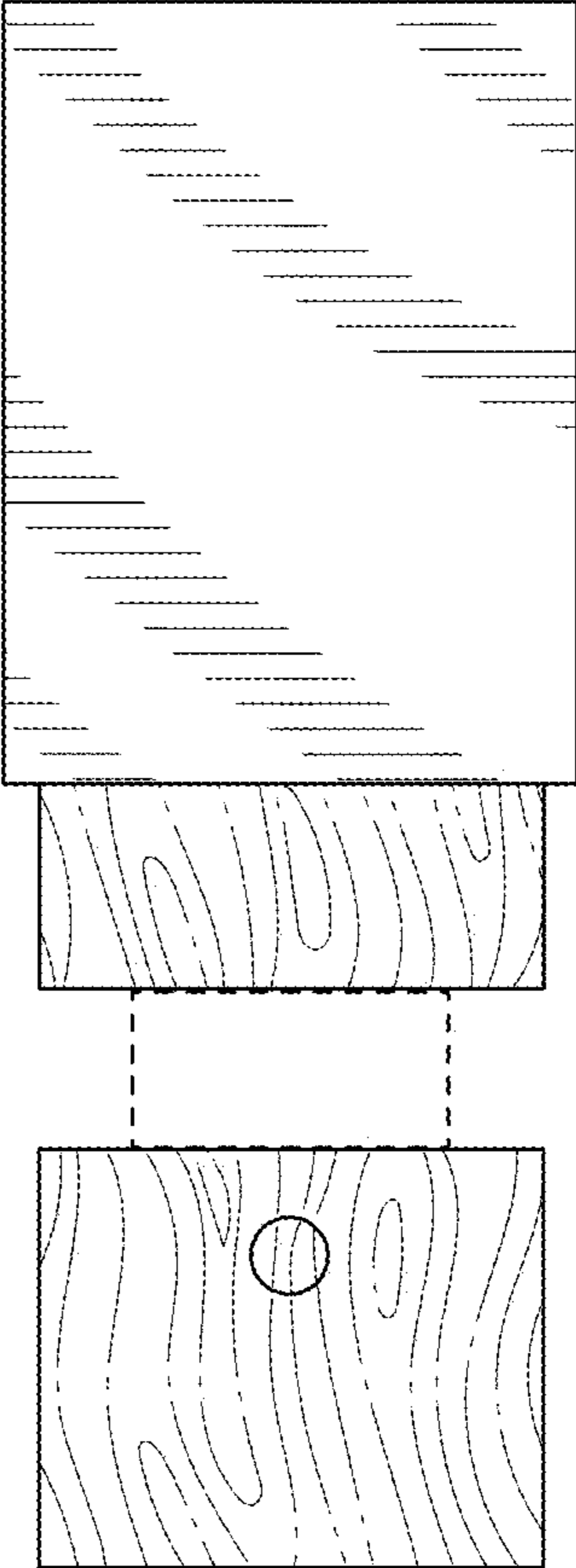


FIG. 17

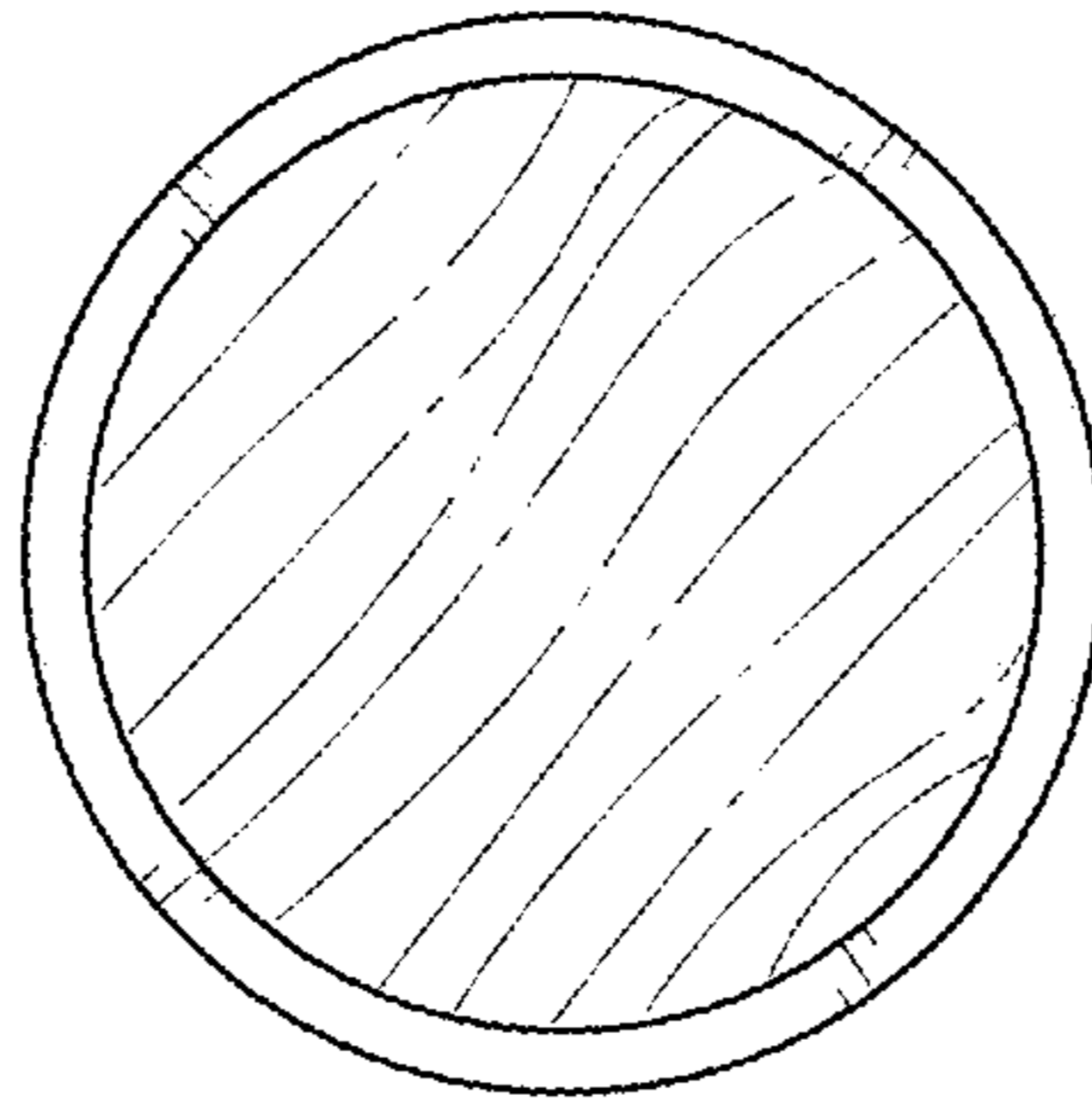


FIG. 18

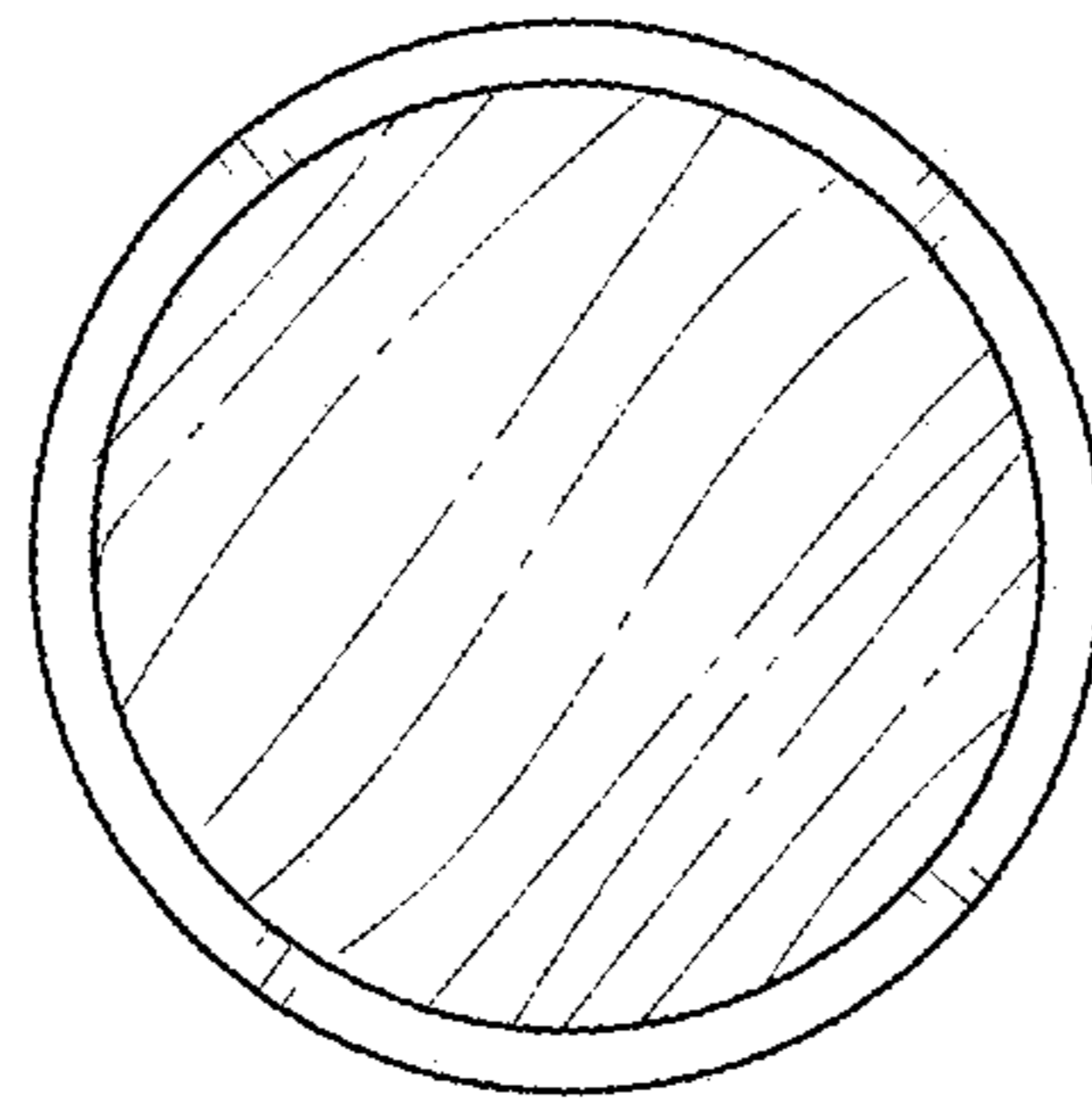


FIG. 19

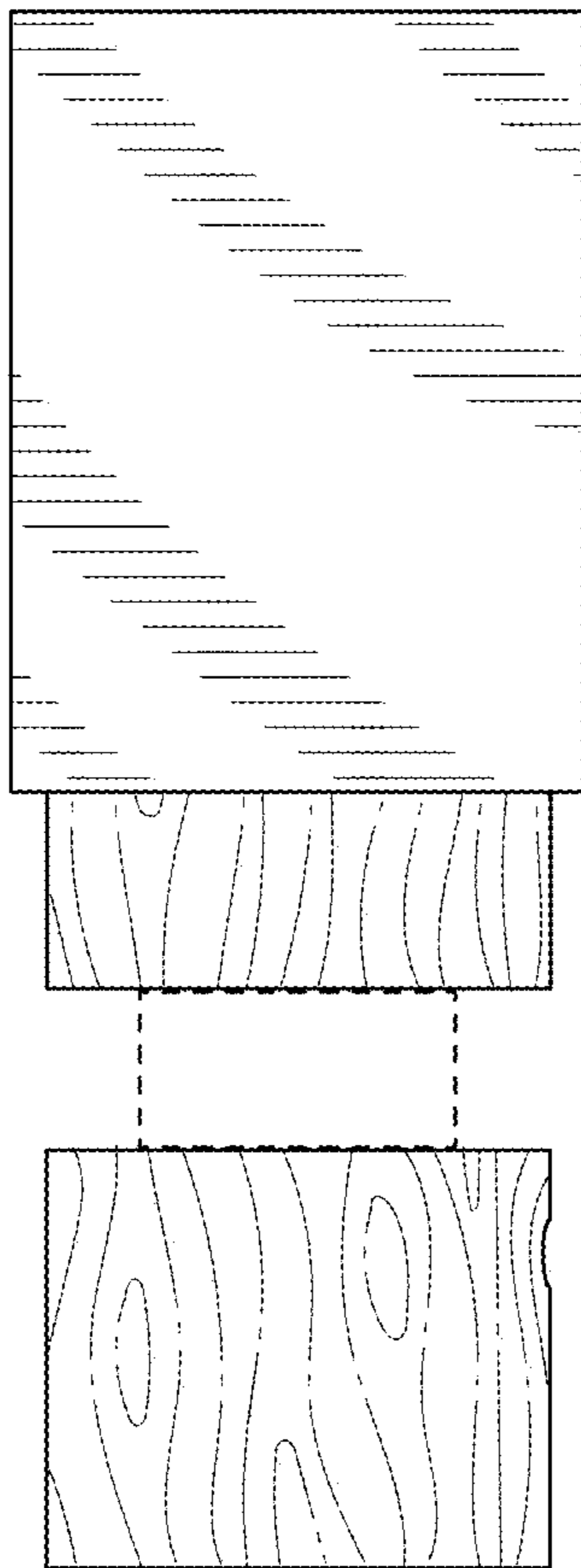


FIG. 20

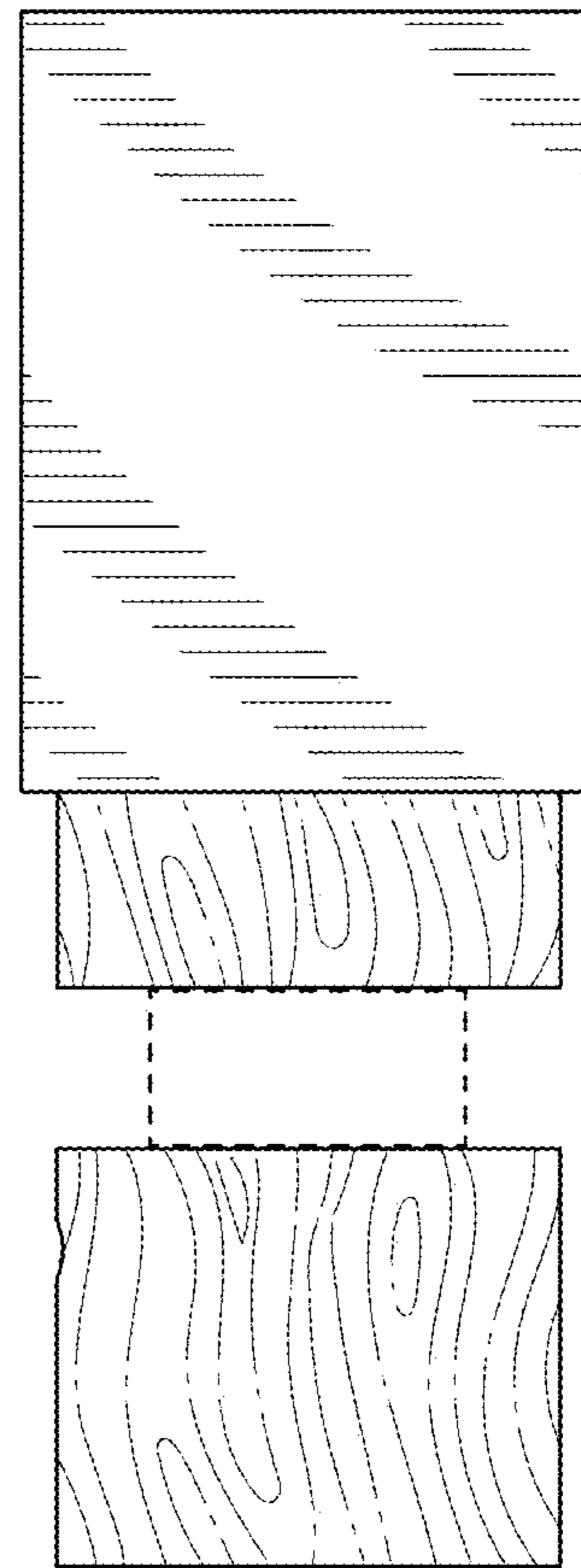


FIG. 21