

US00D946895S

(12) **United States Design Patent**
Xie

(10) **Patent No.:** **US D946,895 S**
(45) **Date of Patent:** **** Mar. 29, 2022**

(54) **CASE WITH EARPHONES**

(71) Applicant: **Sumin Xie**, Maoming (CN)

(72) Inventor: **Sumin Xie**, Maoming (CN)

(**) Term: **15 Years**

(21) Appl. No.: **29/779,781**

(22) Filed: **Apr. 21, 2021**

(51) **LOC (13) Cl.** **03-01**

(52) **U.S. Cl.**
USPC **D3/294**

(58) **Field of Classification Search**
USPC D3/201, 207, 208, 209, 210, 211, 212,
D3/218, 249, 273, 289, 294, 301, 302,
D3/303, 702; D6/407, 629, 632, 633,
D6/635

CPC H04R 1/1025; A45C 2011/001
See application file for complete search history.

(56) **References Cited**

U.S. PATENT DOCUMENTS

D49,217 S *	6/1916	King	D3/265
D586,557 S *	2/2009	Jalet	D3/294
D853,108 S *	7/2019	Zaihui	D3/218
D887,351 S *	6/2020	Bonahoom	H02J 7/0044 D13/108
D905,002 S	12/2020	Koneru et al.		
D907,009 S	1/2021	Akana et al.		
D908,084 S *	1/2021	He	D3/294
D928,123 S *	8/2021	Gao	D14/223
D933,004 S *	10/2021	Li	D3/294
2019/0069066 A1 *	2/2019	Song	H02J 7/0044

FOREIGN PATENT DOCUMENTS

CN	304426540	*	12/2017
CN	306199329	*	12/2020
CN	306478692	*	4/2021

OTHER PUBLICATIONS

Dayan Cube Matte Zipper Earphones Carrying Case, Announced Aug. 29, 2014 [online], [site visited Jan. 28, 2022]. Available from internet, URL: <https://www.amazon.com/Earphones-Carrying-Wireless-Headphone-Replacement/dp/B00N4WUOO8/> (Year: 2014).*
Smatree Charging Case, announced Nov. 16, 2017, [online], [site visited Jan. 14, 2022]. Available from internet, URL: <https://www.amazon.com/Smatree-Charging-Powerbeats-Bluetooth-Headphone/dp/B071G5LSFM/> (Year: 2017).*
PRTUKYTY Wireless Earbuds, announced Jan. 19, 2021 [online], [site visited Jan. 28, 2022]. Available from internet, URL: <https://www.amazon.com/Wireless-Bluetooth-Headphones-Earphones-Playtime/dp/B08TC3G2VY/> (Year: 2021).*

* cited by examiner

Primary Examiner — Kevin K Rudzinski
Assistant Examiner — Amber J Rabie

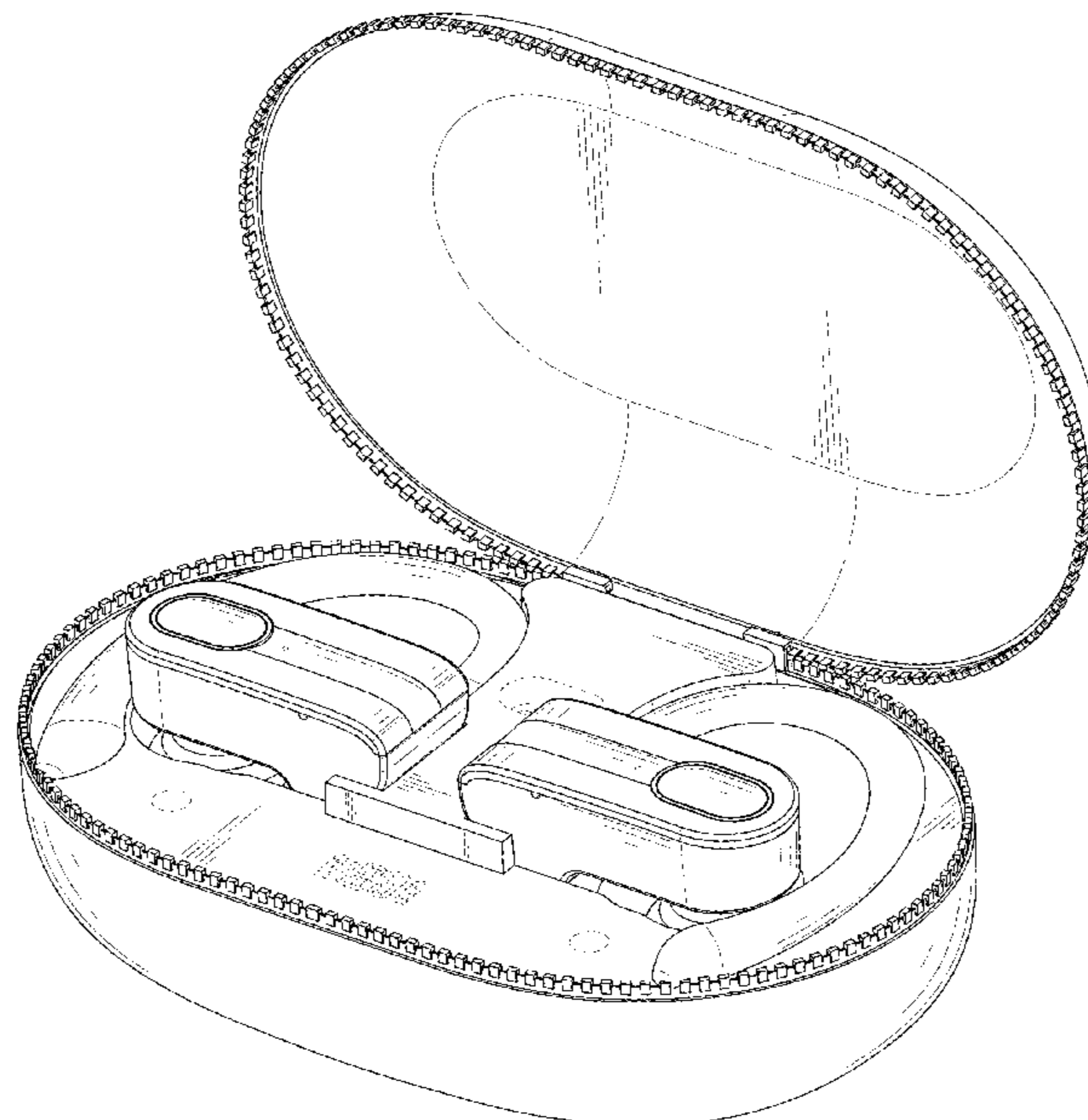
(57) **CLAIM**

The ornamental design for a case with earphones, as shown and described.

DESCRIPTION

FIG. 1 is a top front perspective view of a case with earphones showing my new design;
FIG. 2 is a bottom rear perspective view thereof;
FIG. 3 is a front elevational view thereof;
FIG. 4 is a rear elevational view thereof;
FIG. 5 is a left side elevational view thereof;
FIG. 6 is a right side elevational view thereof;
FIG. 7 is a top plan view thereof; and,
FIG. 8 is a bottom plan view thereof.
The broken lines in the drawings are for the purpose of illustrating portions of the case with earphones that form no part of the claimed design.

1 Claim, 8 Drawing Sheets



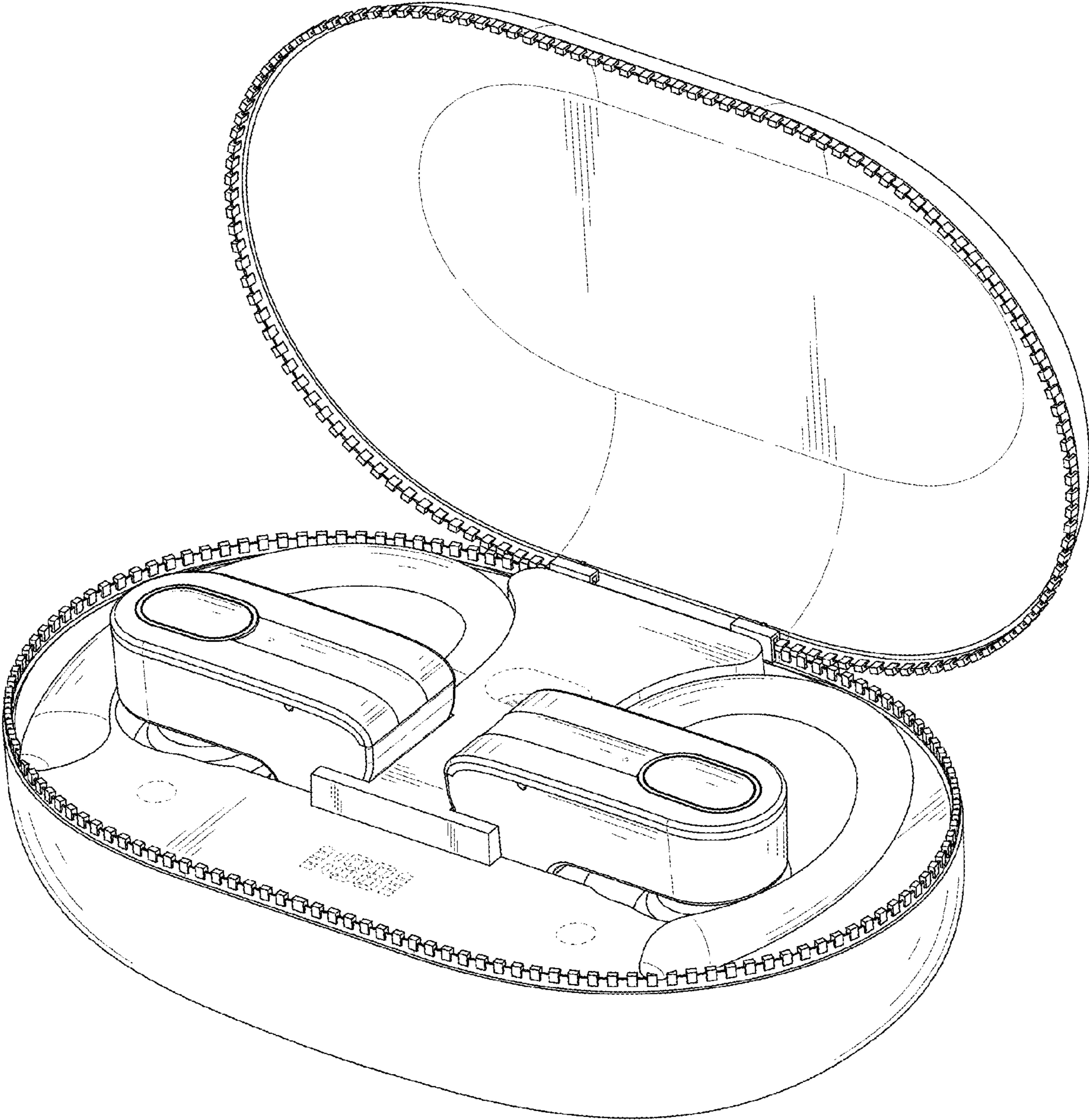


FIG. 1

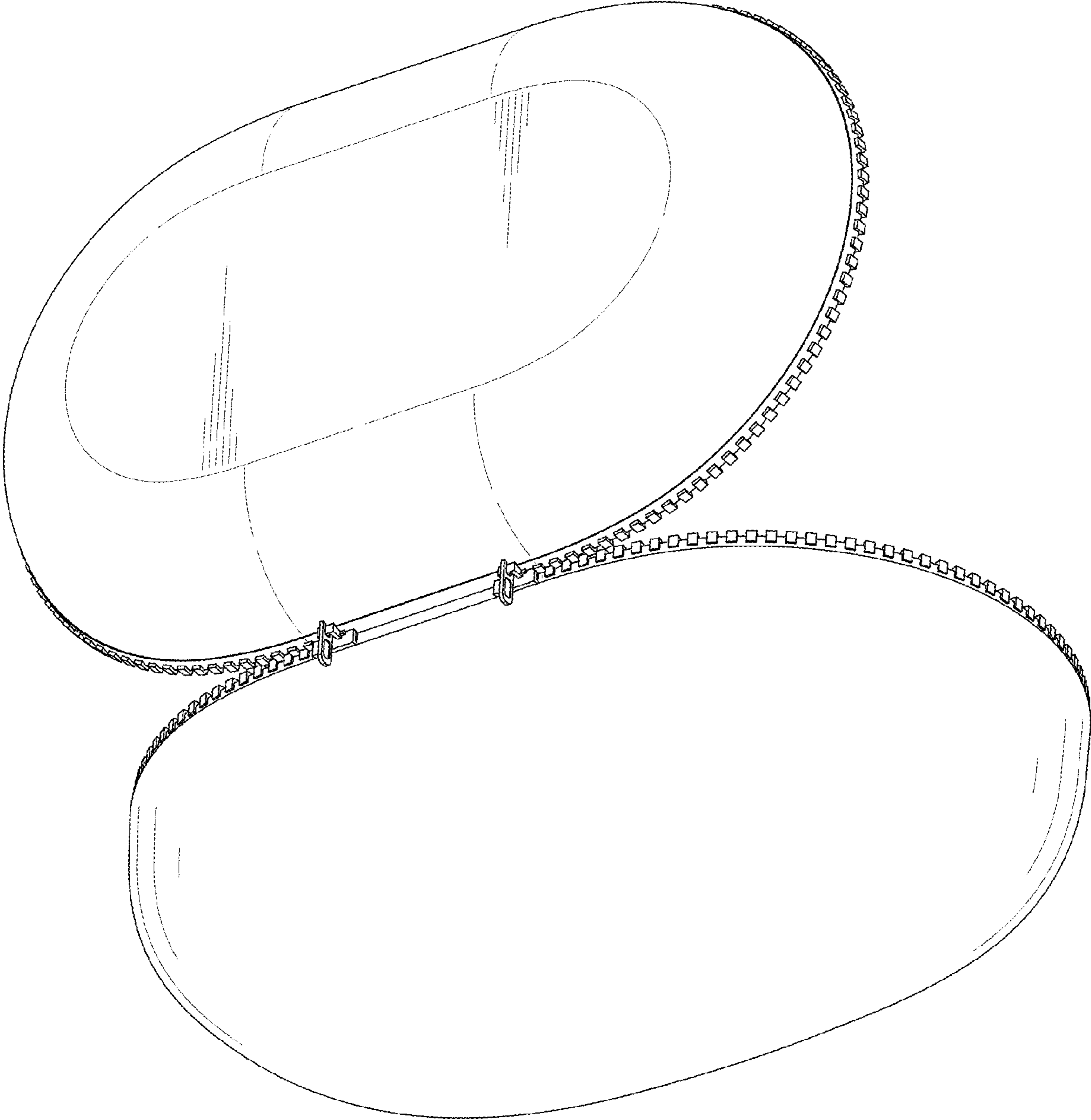


FIG. 2

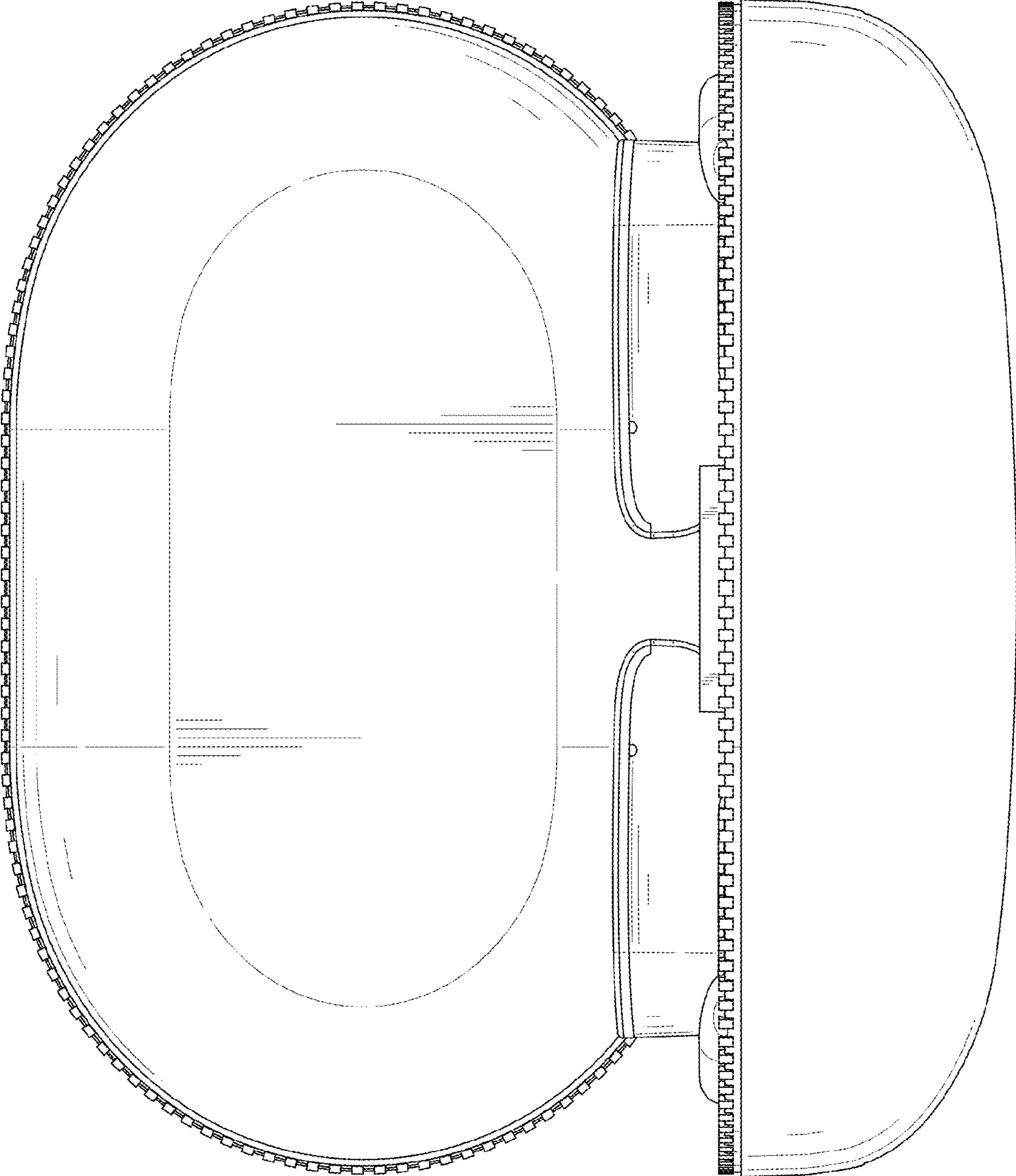


FIG. 3

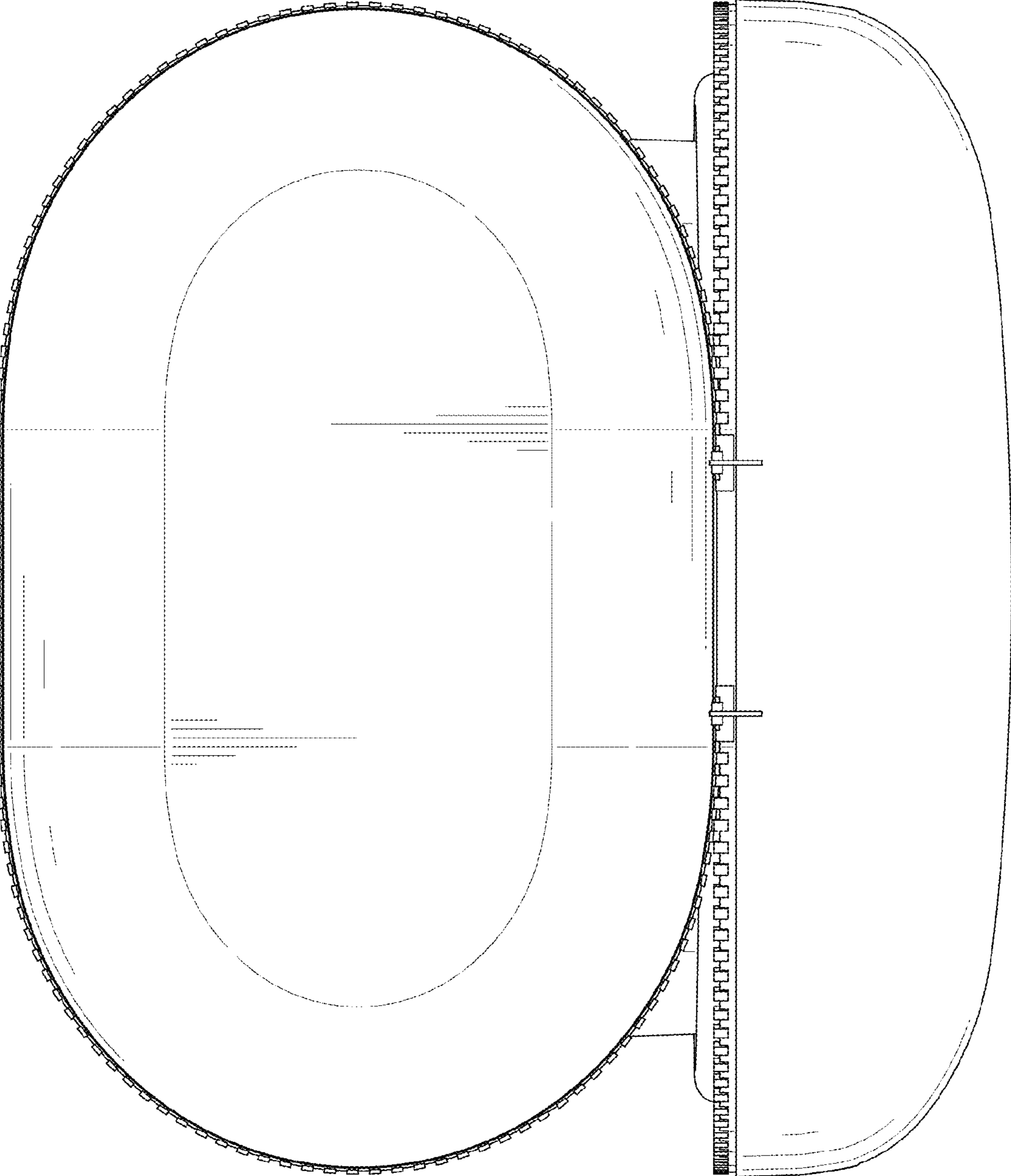


FIG. 4

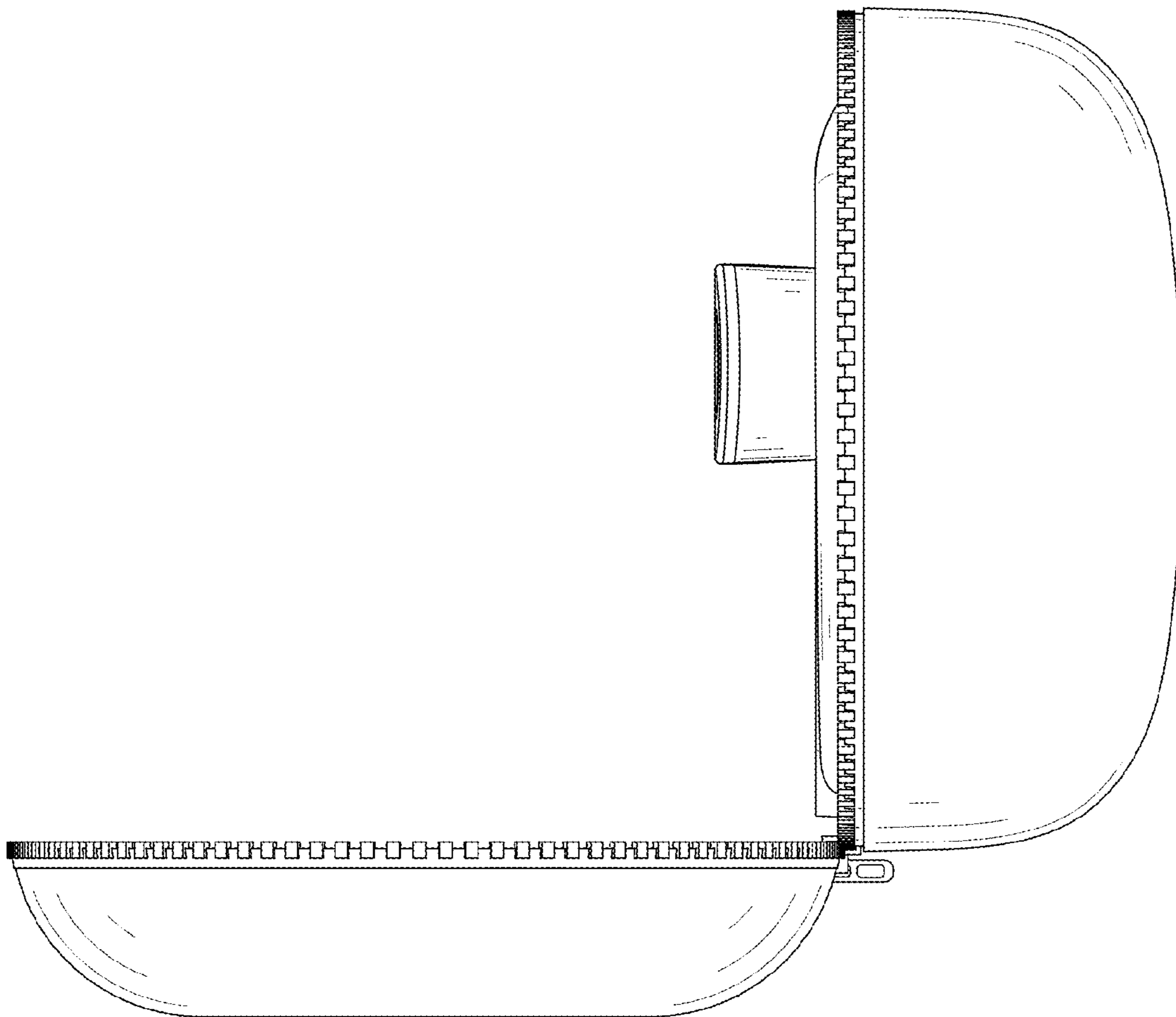


FIG. 5

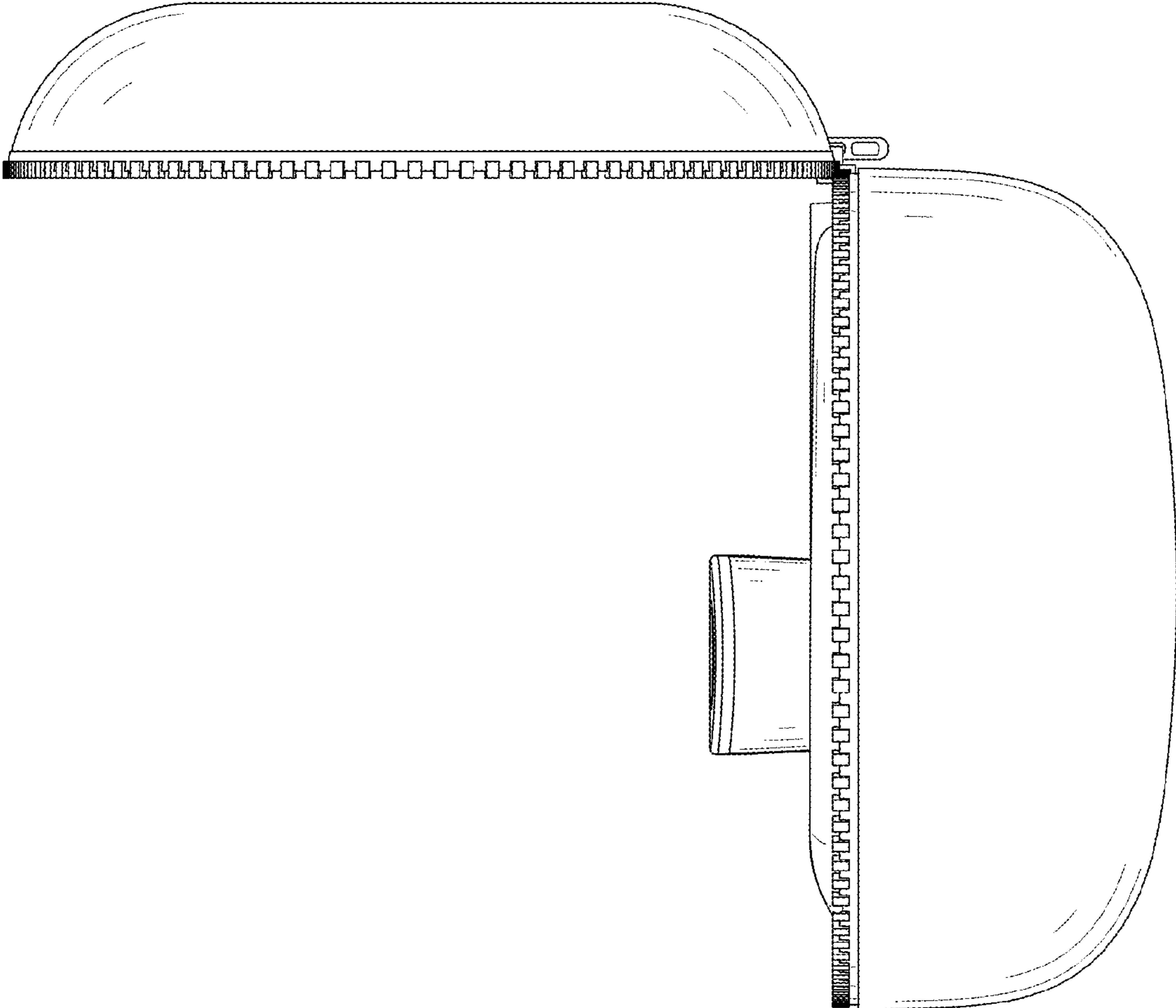


FIG. 6

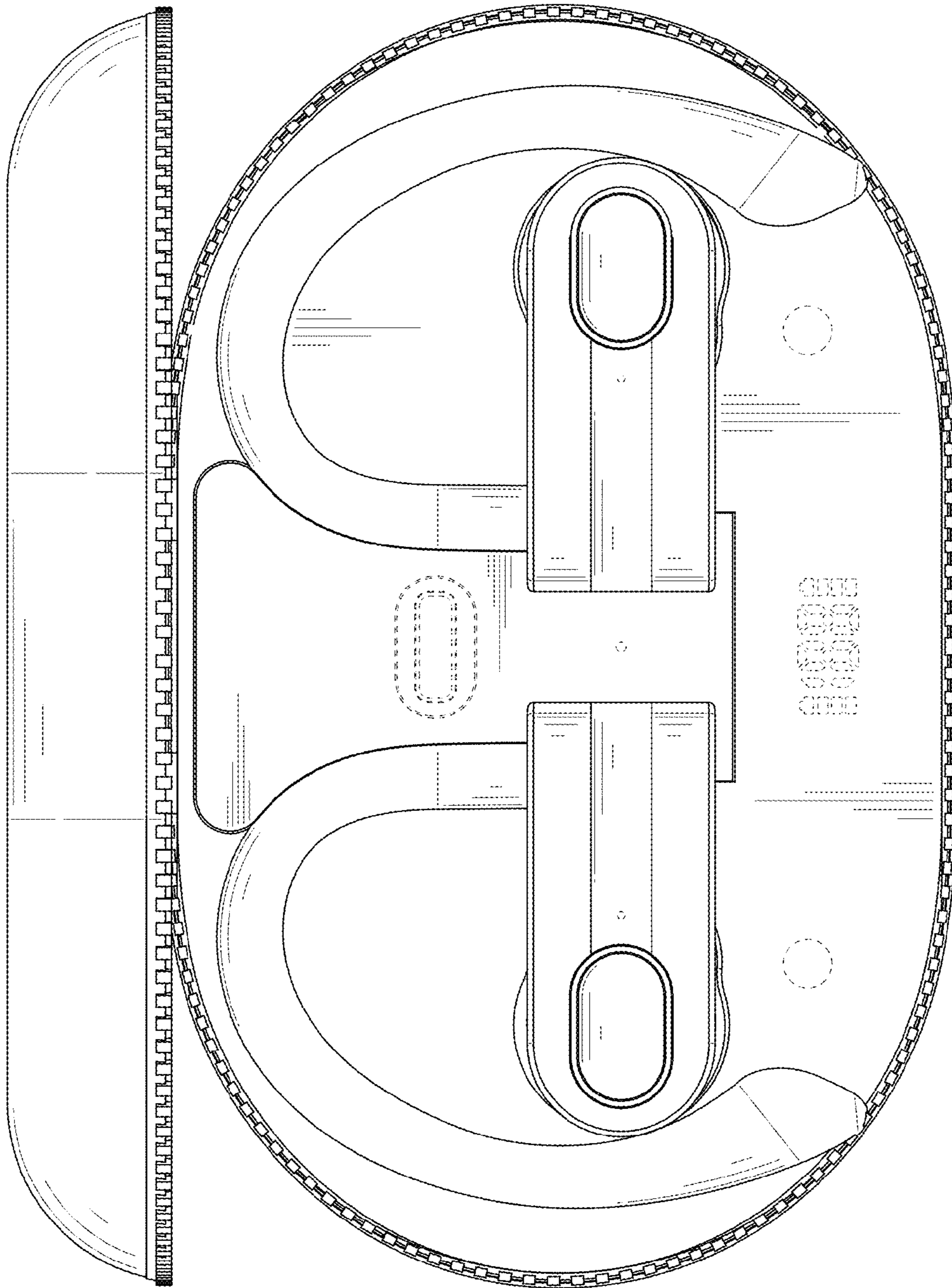


FIG. 7

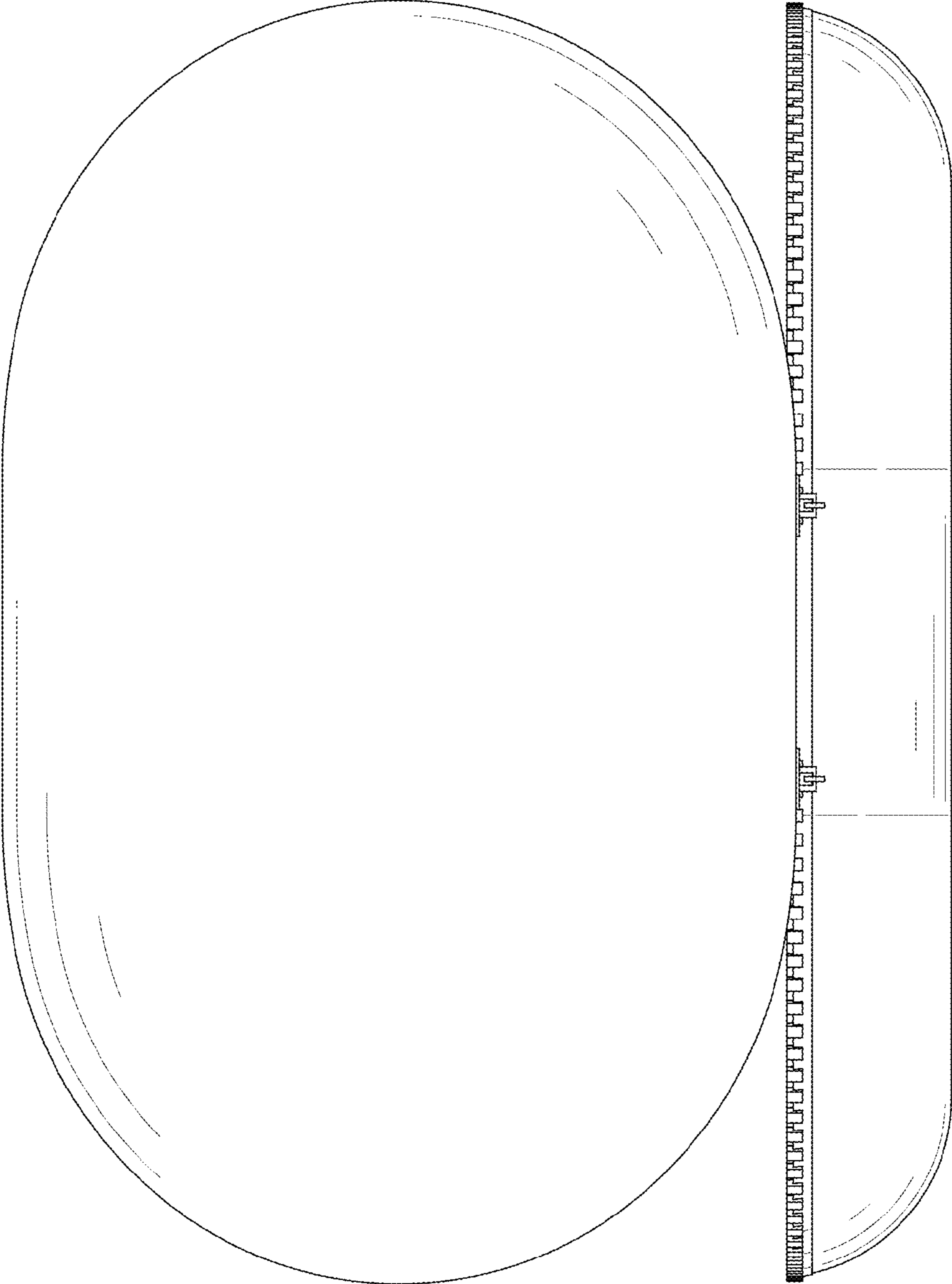


FIG. 8