

US00D946893S

(12) **United States Design Patent**
Liu et al.

(10) **Patent No.: US D946,893 S**
(45) **Date of Patent: ** Mar. 29, 2022**

(54) **FIREPROOF FOLDING STORAGE BOX**

OTHER PUBLICATIONS

(71) Applicant: **Shenzhen Yihuaxing Technology Co., Ltd.**, Shenzhen (CN)

Amazon, "Fireproof Box with Lock . . . ", First on sale Jul. 4, 2021. (<https://www.amazon.com/dp/B097T4FPWR/?th=1>) (Year: 2021).*
Amazon, "File Box Fireproof Box with Lock, BALAPERI . . . ", First on sale May 14, 2021. (<https://www.amazon.com/dp/B094Y6V94P/?th=1>) (Year: 2021).*
Amazon, "File Box with Lock,ENGPOW . . . ", First on sale Jul. 17, 2020. (<https://www.amazon.com/ENGPOW-Fireproof-Bags/dp/B08D6JLTXJ>) (Year: 2020).*

(72) Inventors: **Yuming Liu**, Lianyuan (CN); **Xuyang He**, Lianyuan (CN)

(**) Term: **15 Years**

* cited by examiner

(21) Appl. No.: **29/787,602**

Primary Examiner — April Rivas

(22) Filed: **Jun. 8, 2021**

(51) **LOC (13) Cl.** **03-01**

(57) **CLAIM**

(52) **U.S. Cl.**

The ornamental design for a fireproof folding storage box, as shown and described.

USPC **D3/289**; D3/902

(58) **Field of Classification Search**

DESCRIPTION

USPC D3/273, 276, 283, 289, 290, 902, 302

CPC B65D 5/36; A45C 7/0036; A62C 3/00

See application file for complete search history.

FIG. 1 is a front perspective view of a fireproof folding storage box, in a closed configuration, showing my new design;

(56) **References Cited**

U.S. PATENT DOCUMENTS

D452,075 S *	12/2001	Mogil	A45C 7/0077
				D3/289
7,044,277 B2 *	5/2006	Redzisz	A45C 7/0077
				190/107
D598,194 S *	8/2009	Turvey	D3/289
D602,253 S *	10/2009	Rees	D3/272
D665,169 S *	8/2012	Filip	D3/283
D799,823 S *	10/2017	Schartle	D3/285
D865,363 S	11/2019	Liu		
D873,565 S *	1/2020	Long	D3/290
10,689,156 B2 *	6/2020	Sawachi	A45C 13/002
D899,090 S	10/2020	Zhang		
D911,710 S *	3/2021	Karalis	D3/289
D917,167 S	4/2021	Fenech		
D918,296 S *	5/2021	Merckenschlager	D19/86
D918,583 S *	5/2021	Fu	D3/289

FIG. 2 is a front perspective view of the fireproof folding storage box thereof, in an open configuration;

FIG. 3 is a front perspective view of the fireproof folding storage box thereof, with the body shown collapsed;

FIG. 4 is a top view of the fireproof folding storage box thereof, in a closed configuration;

FIG. 5 is a left side view thereof;

FIG. 6 is a front view thereof;

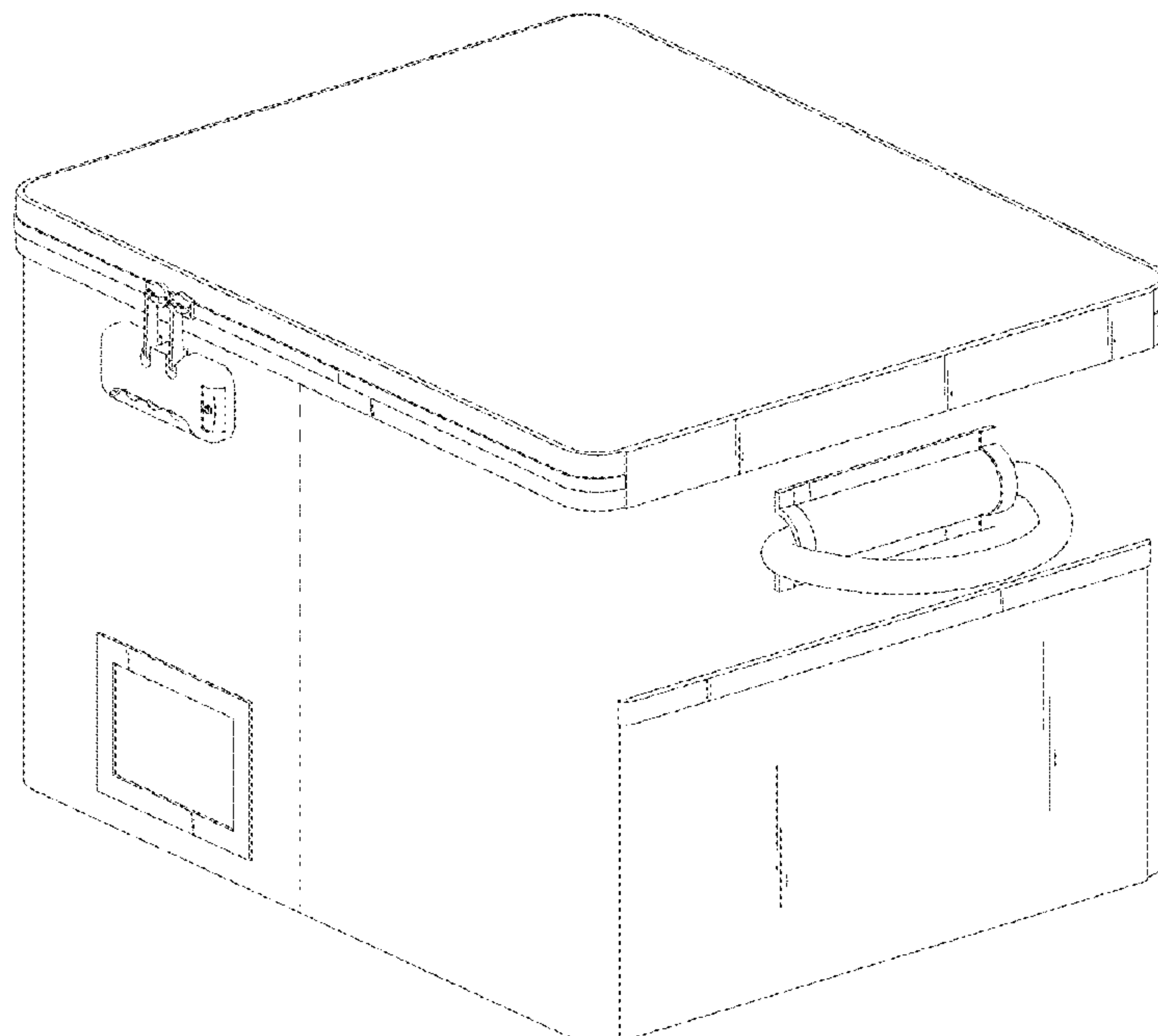
FIG. 7 is a right side view thereof;

FIG. 8 is a back view thereof; and,

FIG. 9 is a bottom view thereof.

The broken lines shown in the drawings depict portions of the fireproof folding storage box in which the design is embodied that form no part of the claimed design.

1 Claim, 9 Drawing Sheets



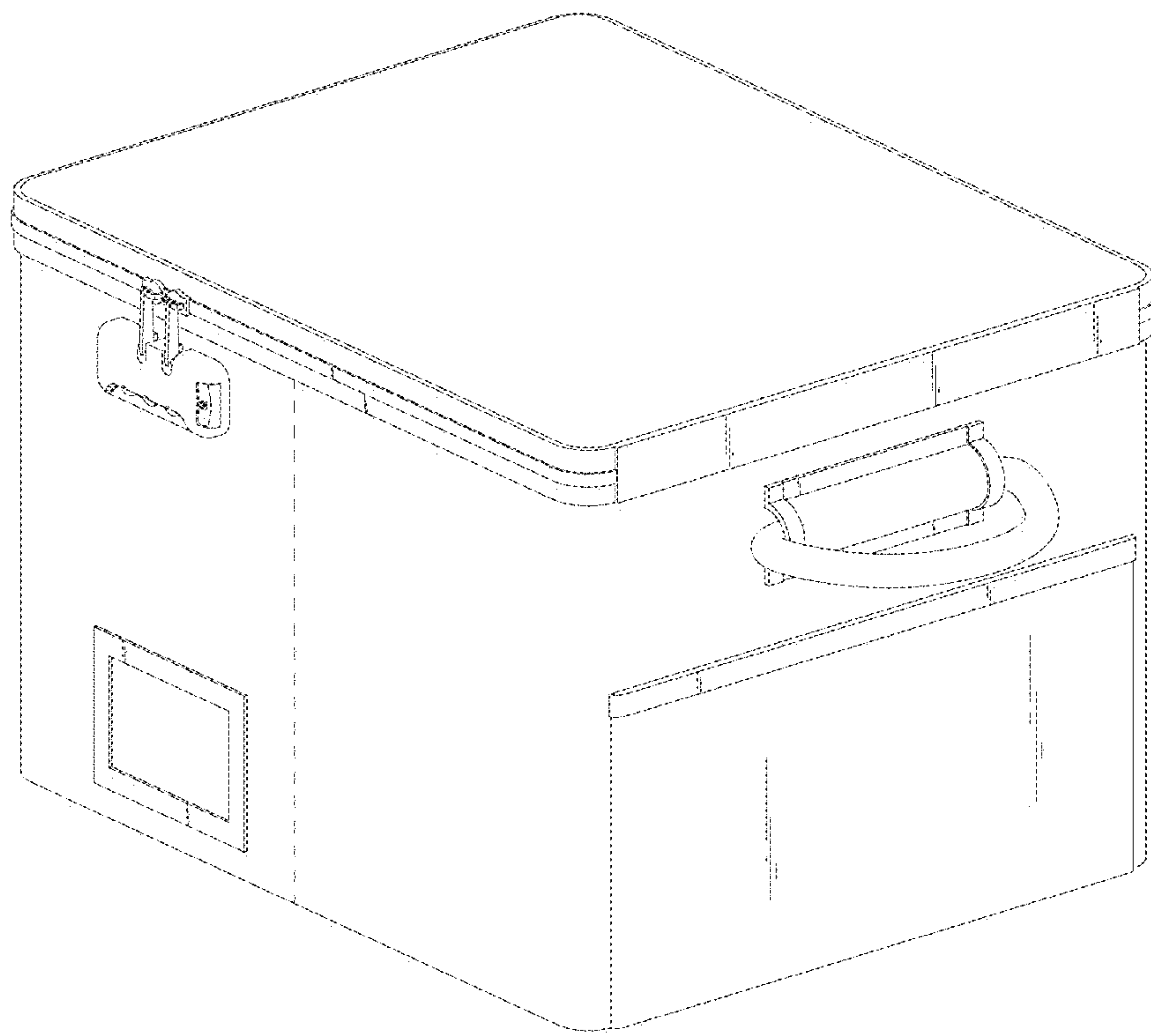


FIG.1

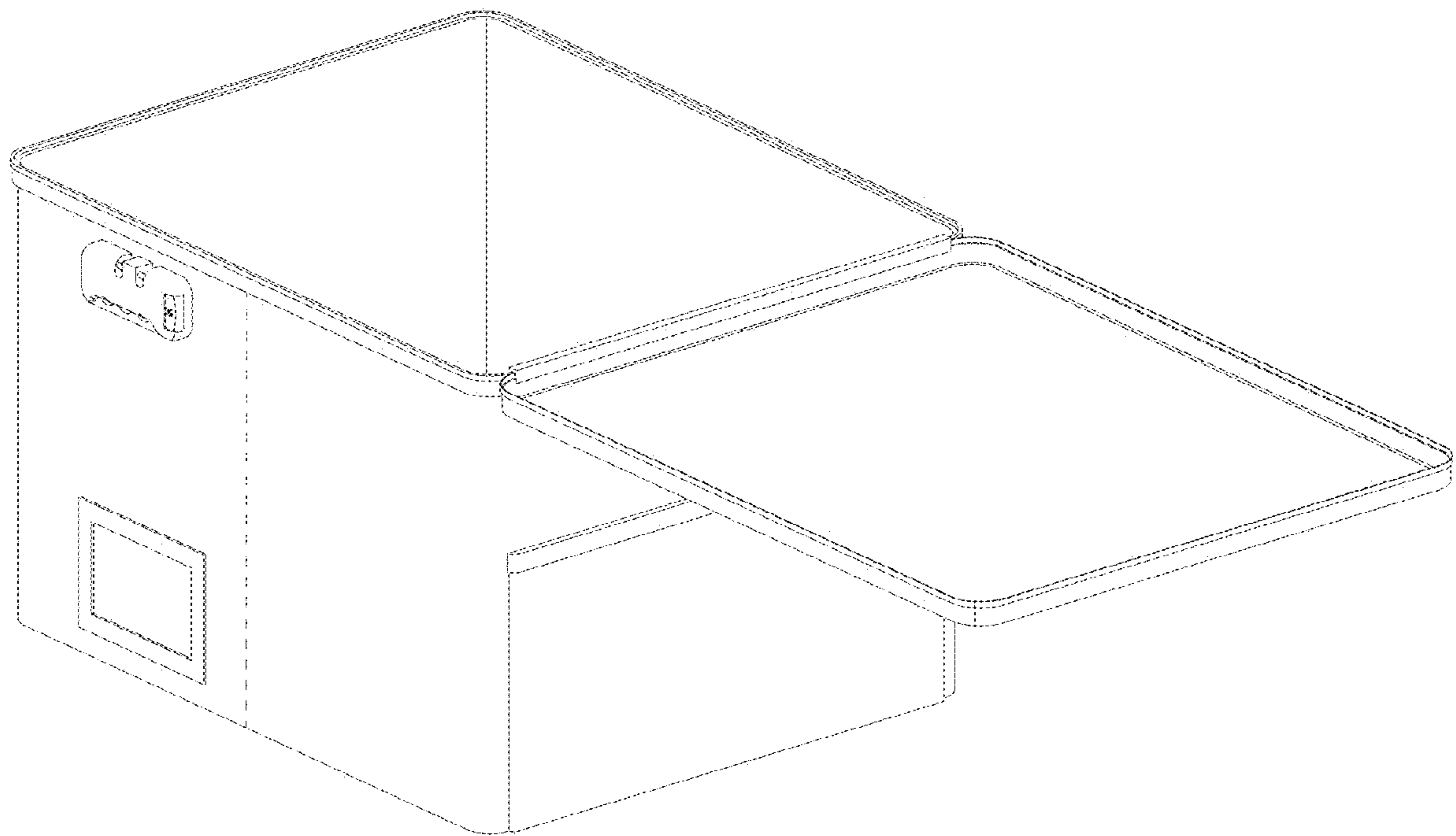


FIG. 2

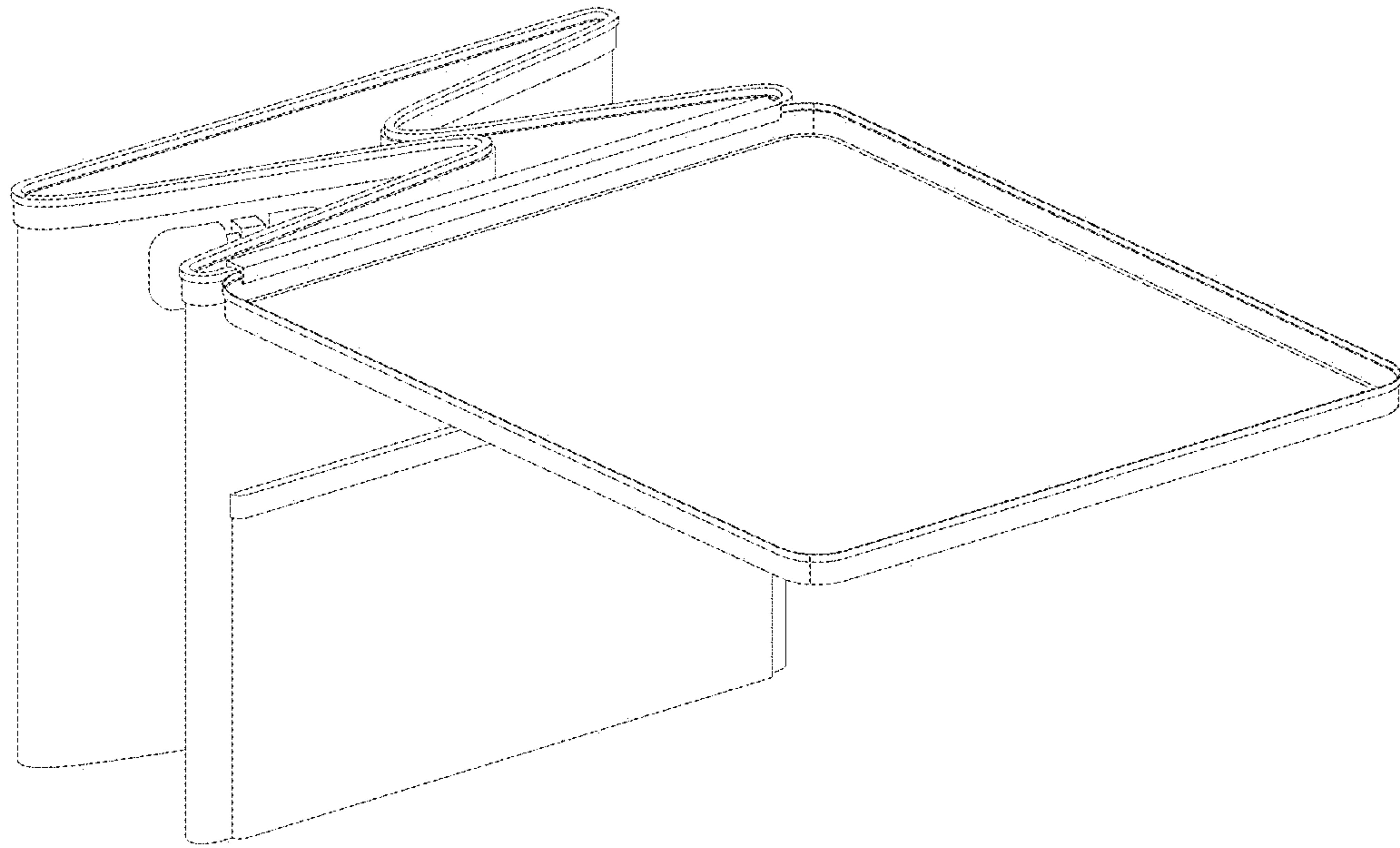


FIG.3

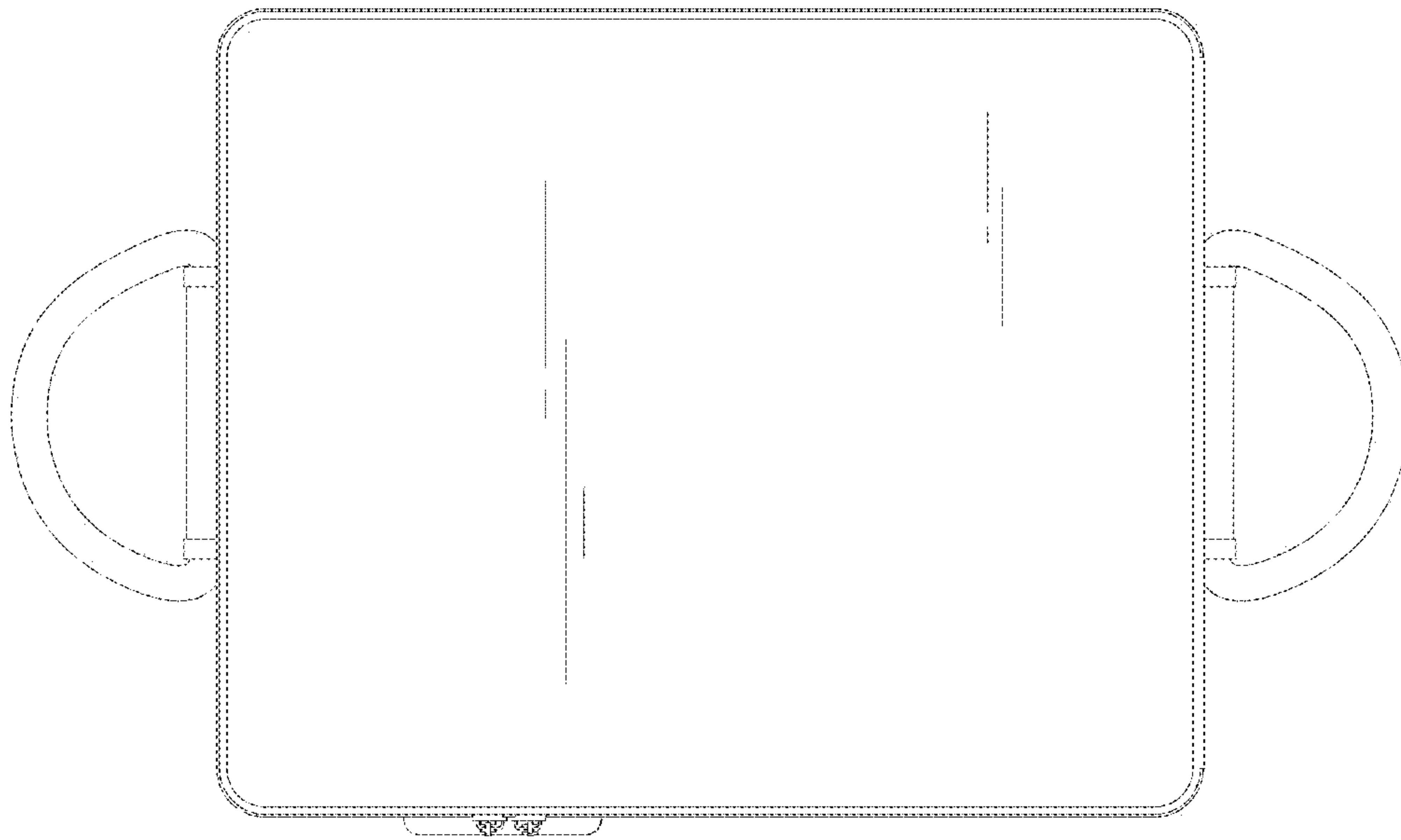


FIG. 4

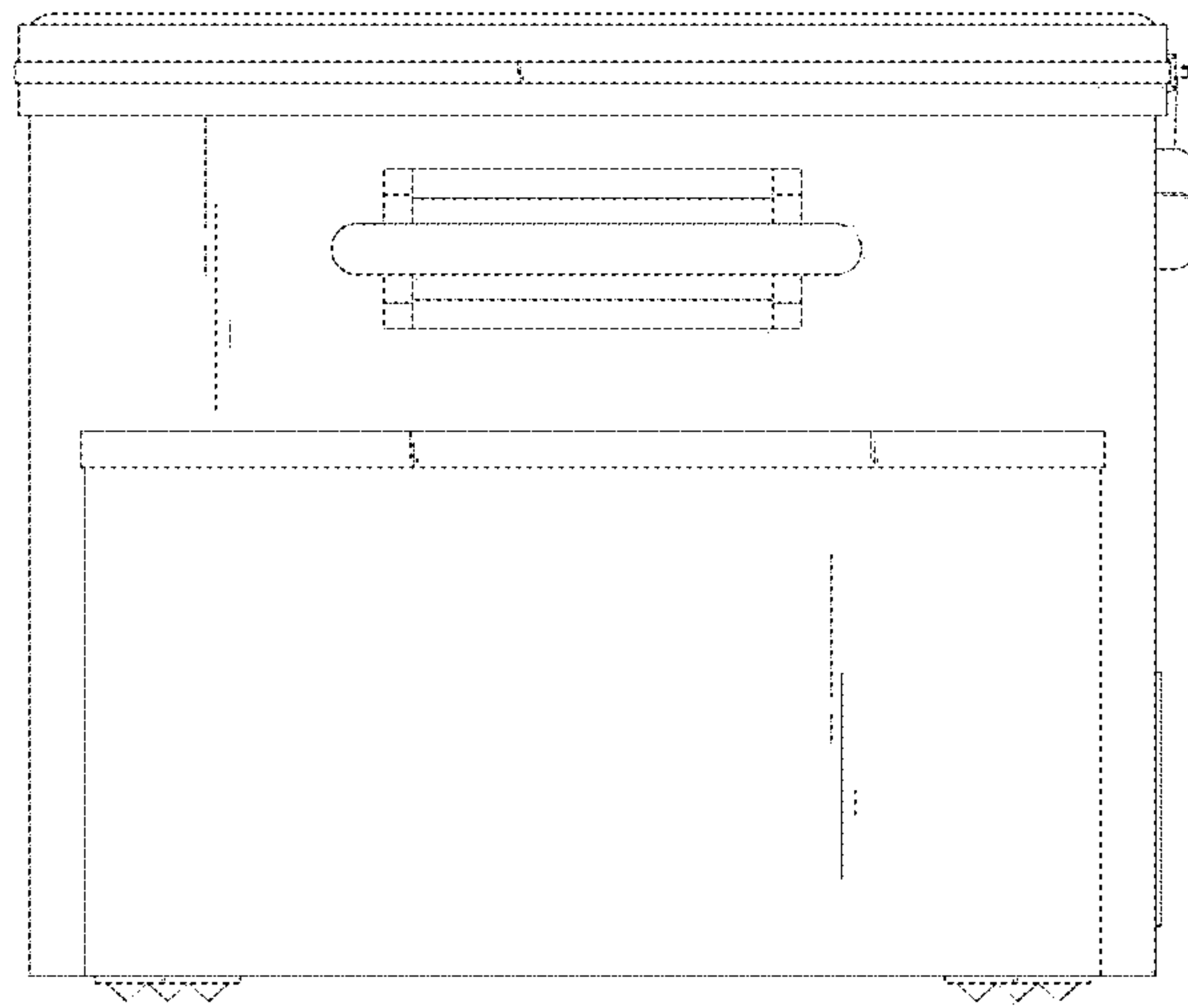


FIG. 5

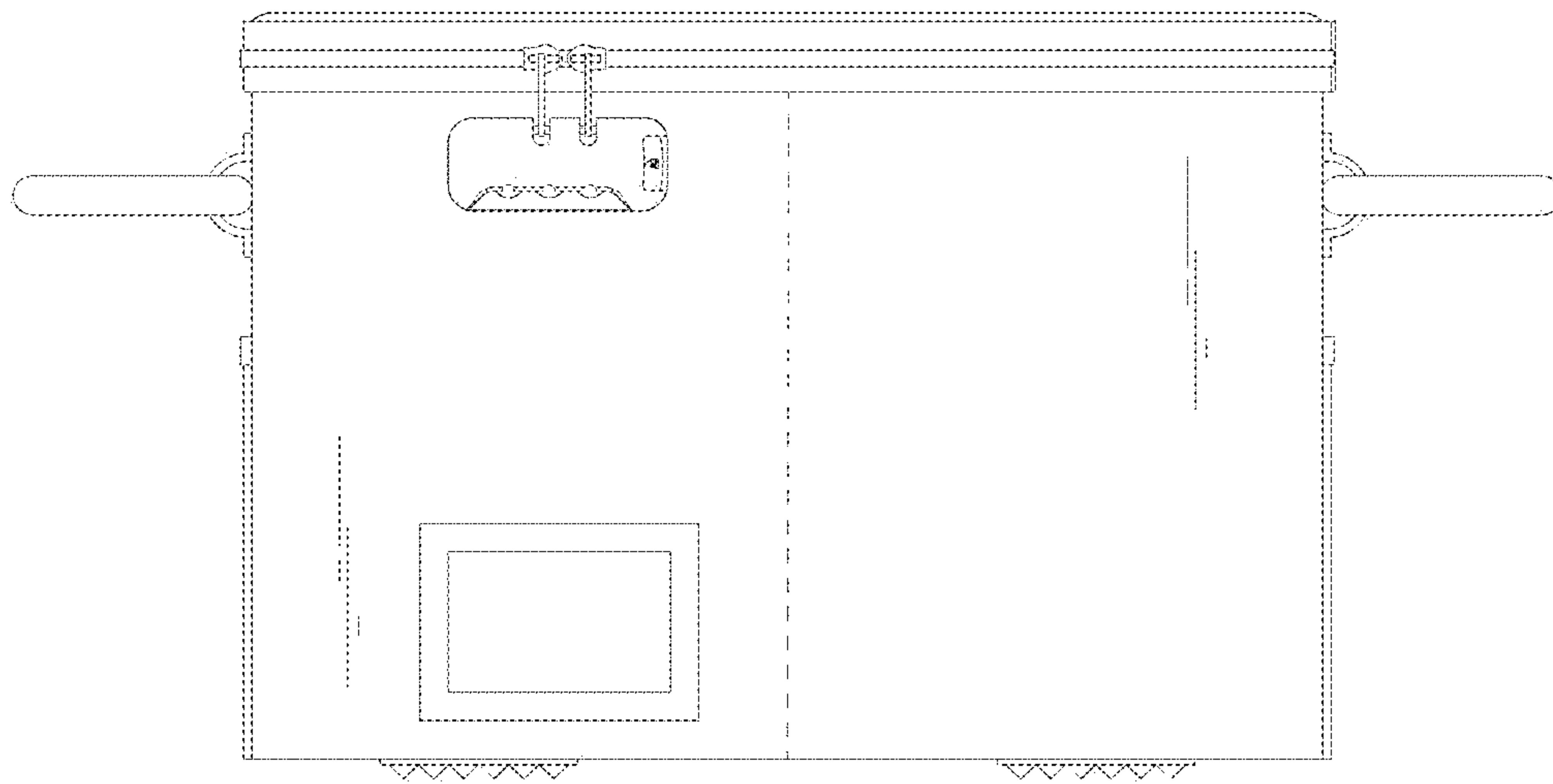


FIG.6

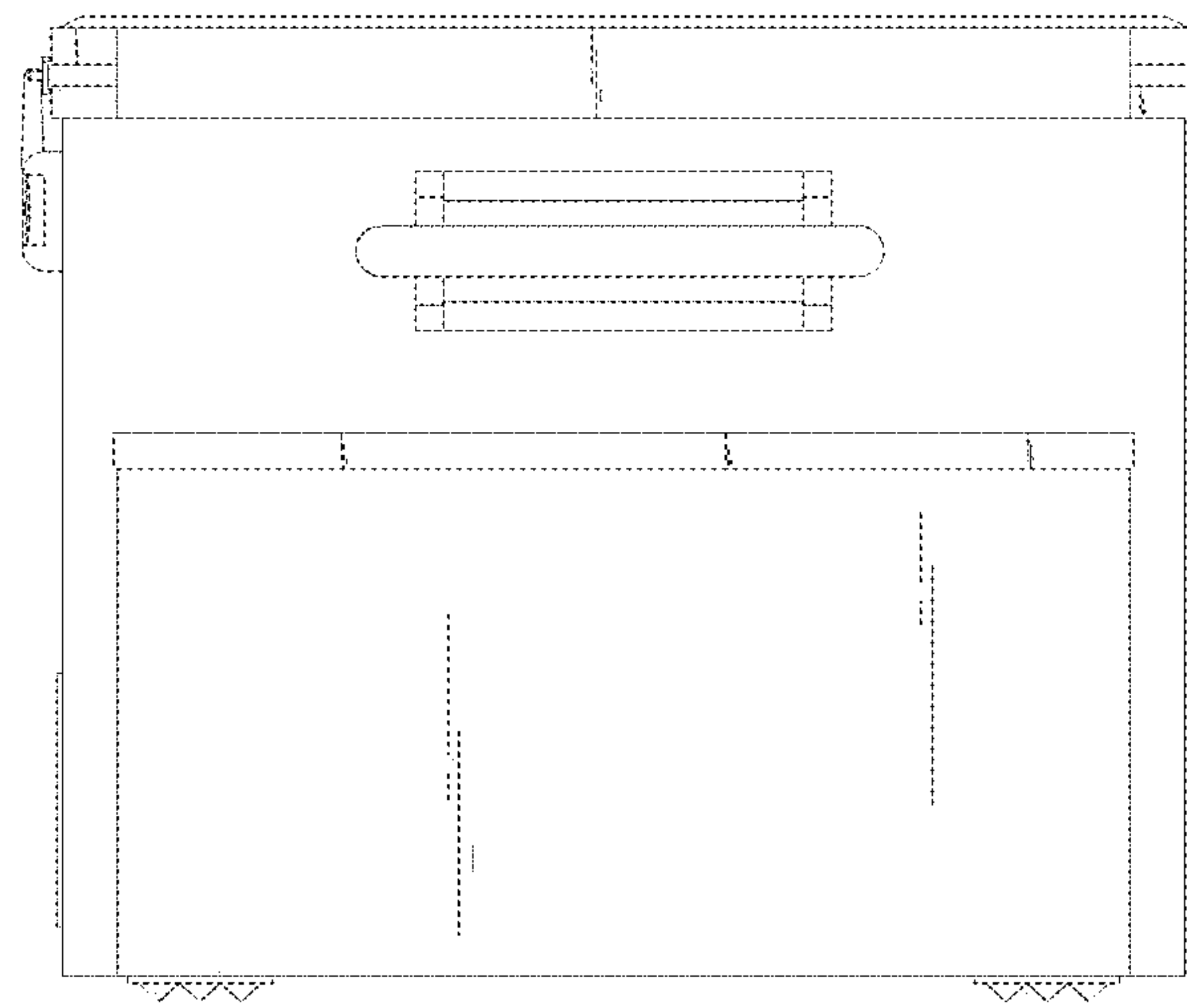


FIG. 7

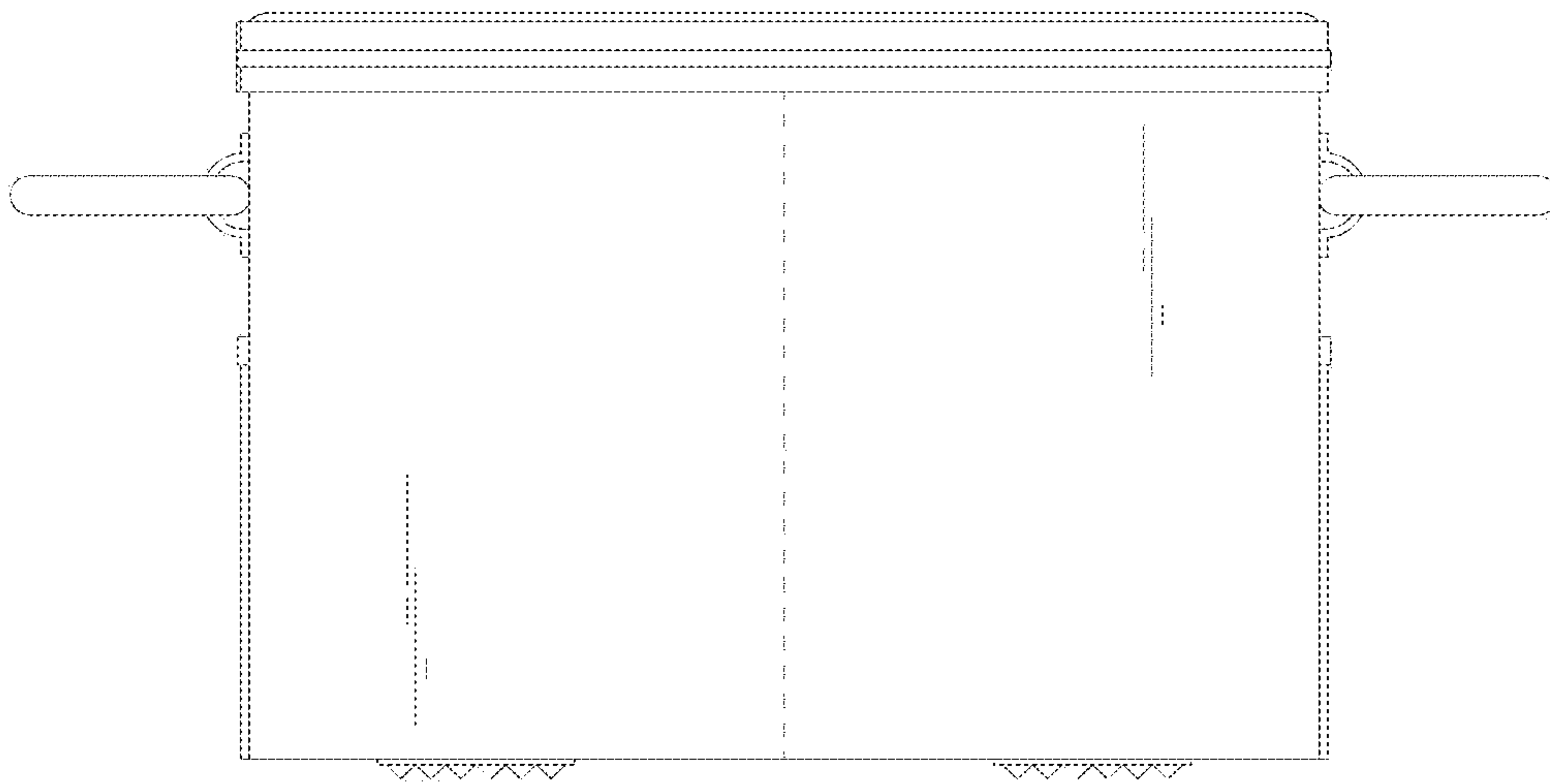


FIG.8

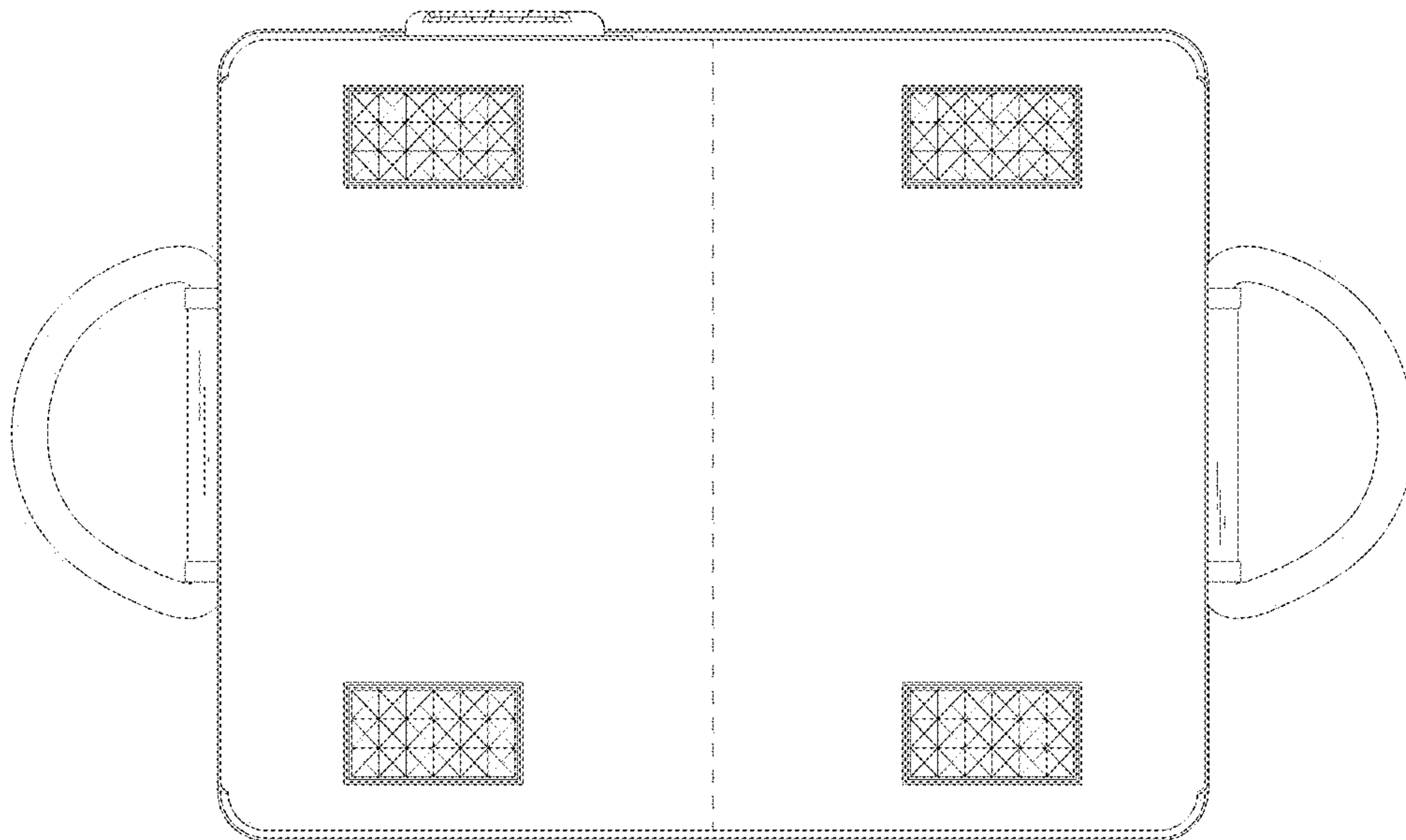


FIG. 9