



US00D946892S

(12) **United States Design Patent**  
**Liu et al.**

(10) **Patent No.: US D946,892 S**  
(45) **Date of Patent: \*\* Mar. 29, 2022**

(54) **FIREPROOF FOLDING STORAGE BOX**

(71) Applicant: **Shenzhen Yihuaxing Technology Co., Ltd.**, Shenzhen (CN)

(72) Inventors: **Yuming Liu**, Lianyuan (CN); **Xuyang He**, Lianyuan (CN)

(\*\*) Term: **15 Years**

(21) Appl. No.: **29/787,600**

(22) Filed: **Jun. 8, 2021**

(51) **LOC (13) Cl.** ..... **03-01**

(52) **U.S. Cl.**  
USPC ..... **D3/289**; D3/902

(58) **Field of Classification Search**  
USPC ..... D3/273, 276, 283, 289, 290, 902, 302  
CPC ..... B65D 5/36; A45C 7/0036; A62C 3/00  
See application file for complete search history.

(56) **References Cited**

**U.S. PATENT DOCUMENTS**

D452,075 S *	12/2001	Mogil	.....	A45C 7/0077
				D3/289
7,044,277 B2 *	5/2006	Redzisz	.....	A45C 7/0077
				190/107
D598,194 S *	8/2009	Turvey	.....	D3/289
D602,253 S *	10/2009	Rees	.....	D3/272
D665,169 S *	8/2012	Filip	.....	D3/283
D728,931 S	5/2015	Faupel		
D799,823 S *	10/2017	Schartle	.....	D3/285
D872,477 S	1/2020	Perella et al.		
D873,565 S *	1/2020	Long	.....	D3/290
10,689,156 B2 *	6/2020	Sawachi	.....	A45C 13/002
D906,670 S	1/2021	Kuhls		
D911,710 S *	3/2021	Karalis	.....	D3/289
D918,296 S *	5/2021	Merckenschlager	.....	D19/86
D918,583 S *	5/2021	Fu	.....	D3/289

**OTHER PUBLICATIONS**

Amazon, "Fireproof Document Bag with Lock . . .", First on sale Apr. 11, 2021. (<https://www.amazon.com/dp/B0927BZVGZ/>) (Year: 2021).\*

Amazon, "ENGPOW File Organizer Box with Lock . . .", First on sale Jul. 26, 2021. (<https://www.amazon.com/dp/B09B7447KR>) (Year: 2021).\*

Amazon, "COZYZOOM File Box with Lock . . .", First on sale Oct. 6, 2021. (<https://www.amazon.com/dp/B09CTF5CYR>) (Year: 2021).\*

\* cited by examiner

*Primary Examiner* — April Rivas

(57) **CLAIM**

The ornamental design for a fireproof folding storage box, as shown and described.

**DESCRIPTION**

FIG. 1 is a front perspective view of a fireproof folding storage box, in an open configuration, showing my new design;

FIG. 2 is a front perspective view of the fireproof folding storage box thereof, with the body shown collapsed;

FIG. 3 is a front perspective view of the fireproof folding storage box thereof, in a closed configuration;

FIG. 4 is a top view of the fireproof folding storage box thereof, in an open configuration;

FIG. 5 is a left side view thereof;

FIG. 6 is a front view thereof;

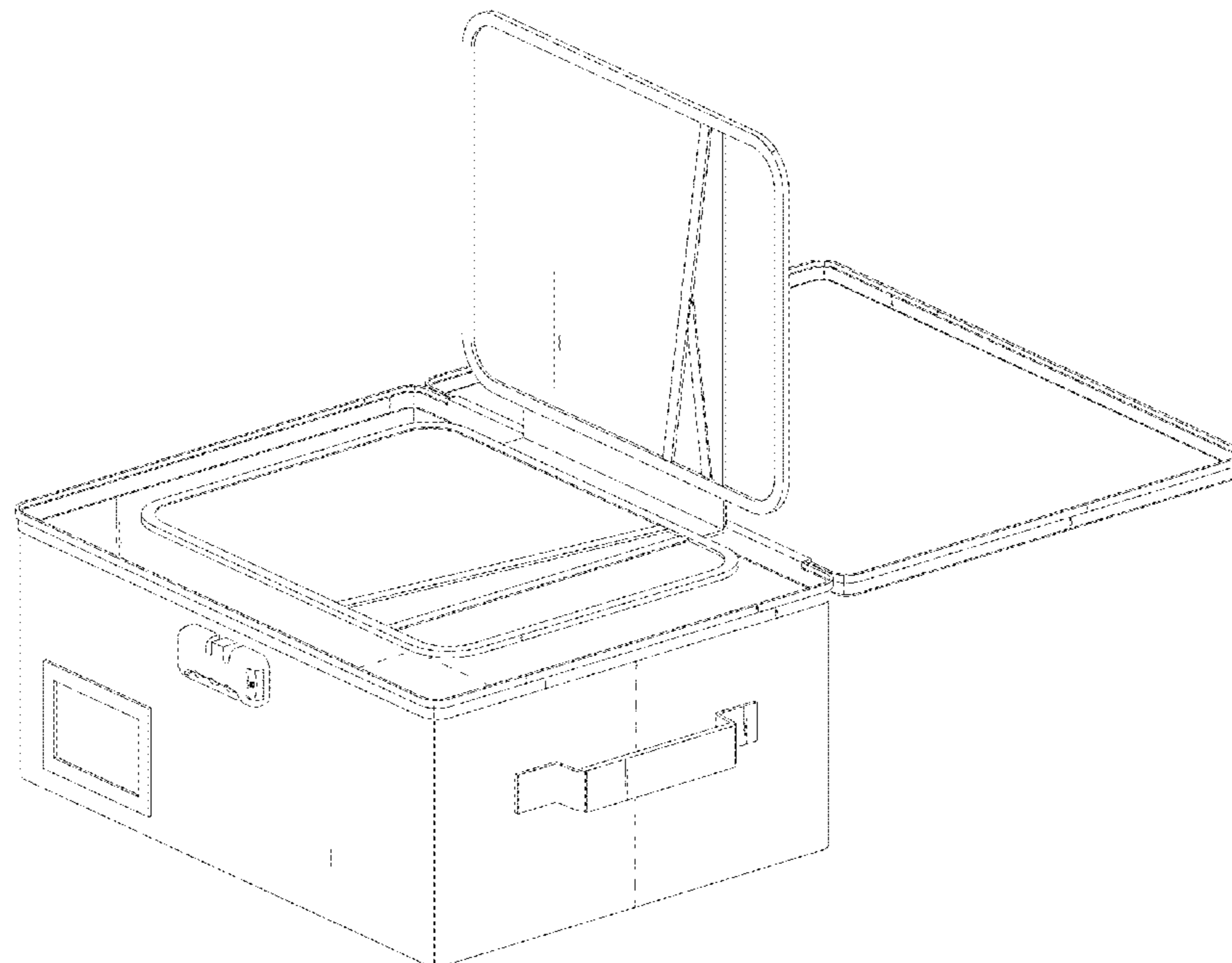
FIG. 7 is a right side view thereof;

FIG. 8 is a back view thereof; and,

FIG. 9 is a bottom view thereof.

The broken lines shown in the drawings depict portions of the fireproof folding storage box in which the design is embodied that form no part of the claimed design.

**1 Claim, 9 Drawing Sheets**



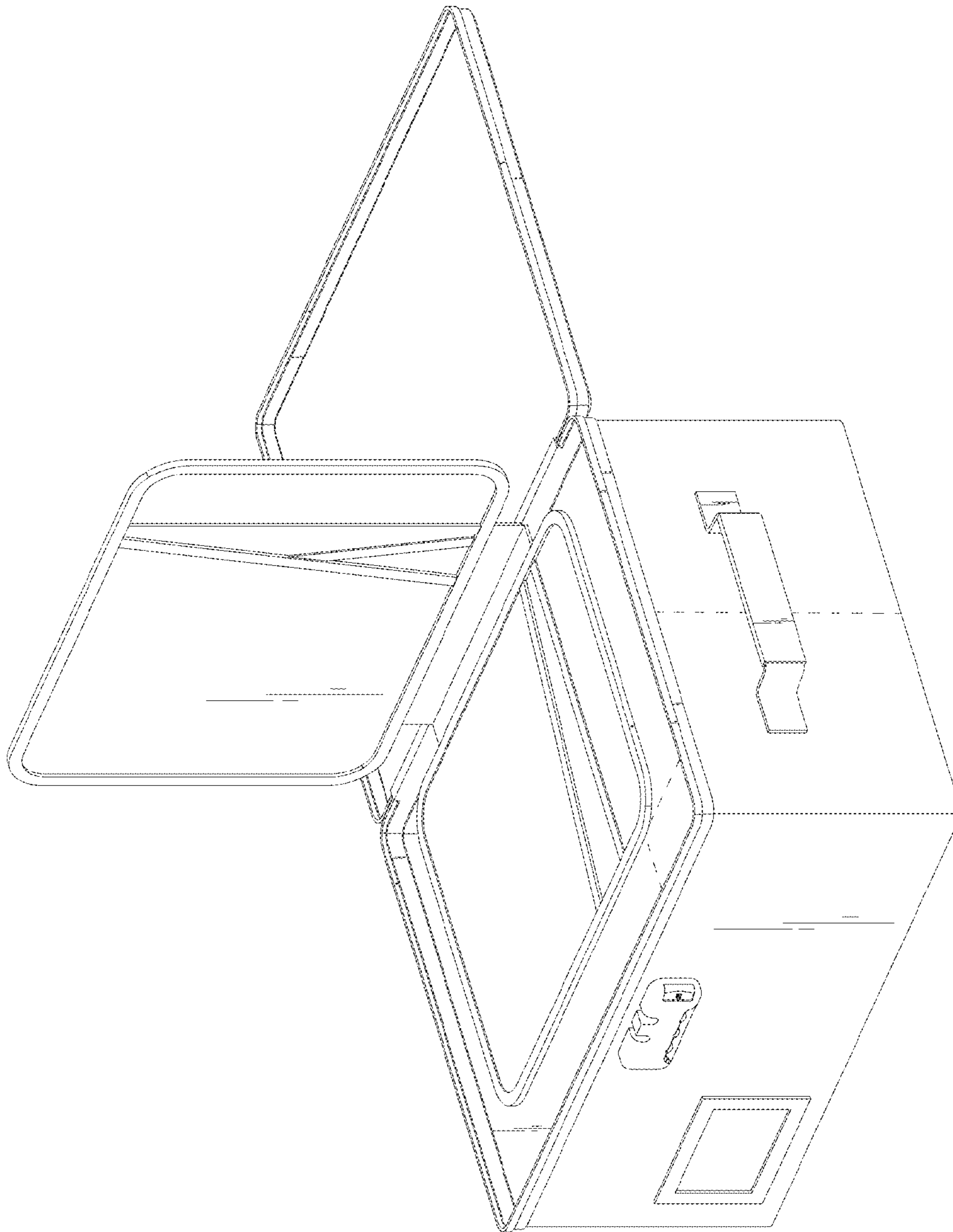


FIG. 1

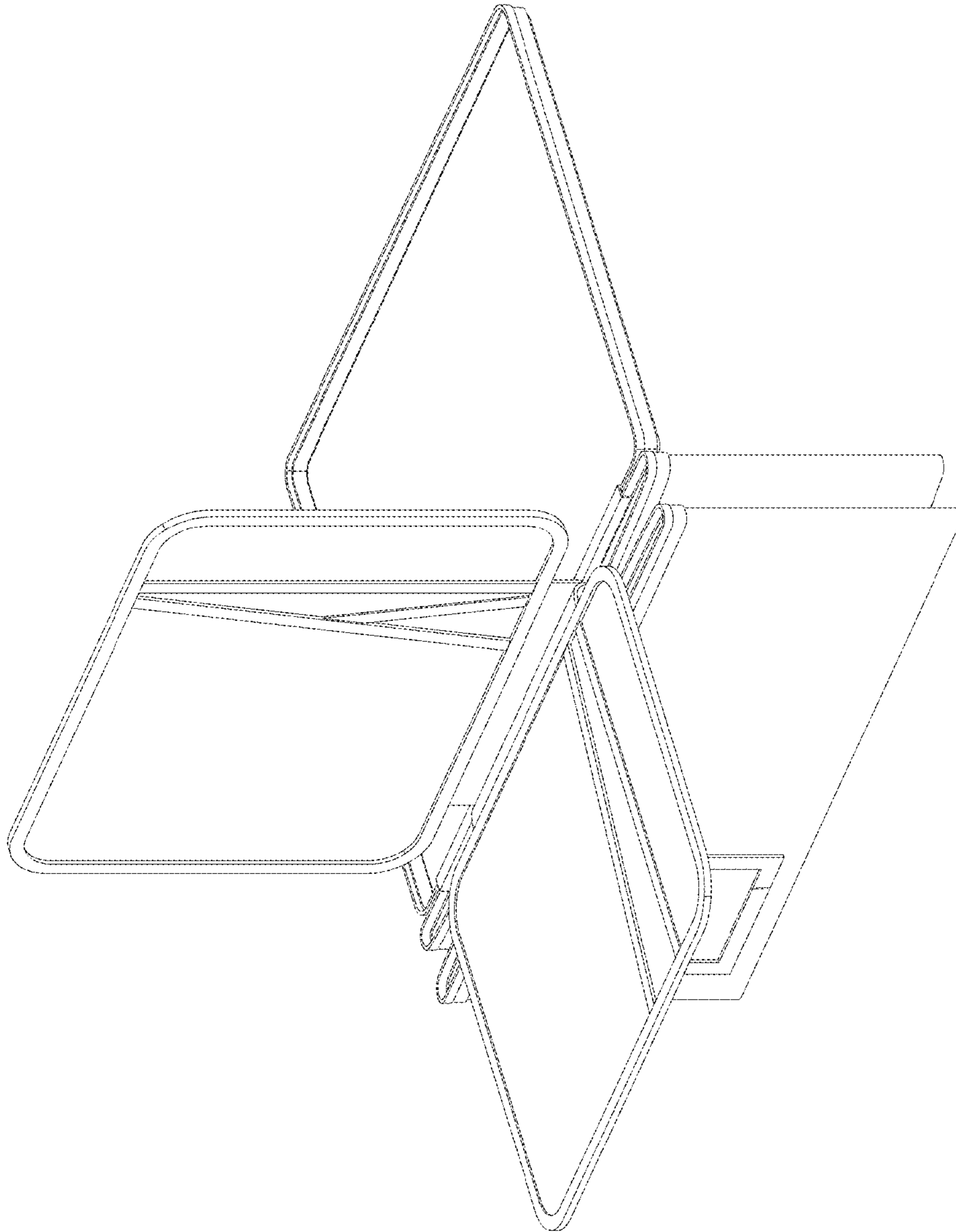


FIG. 2

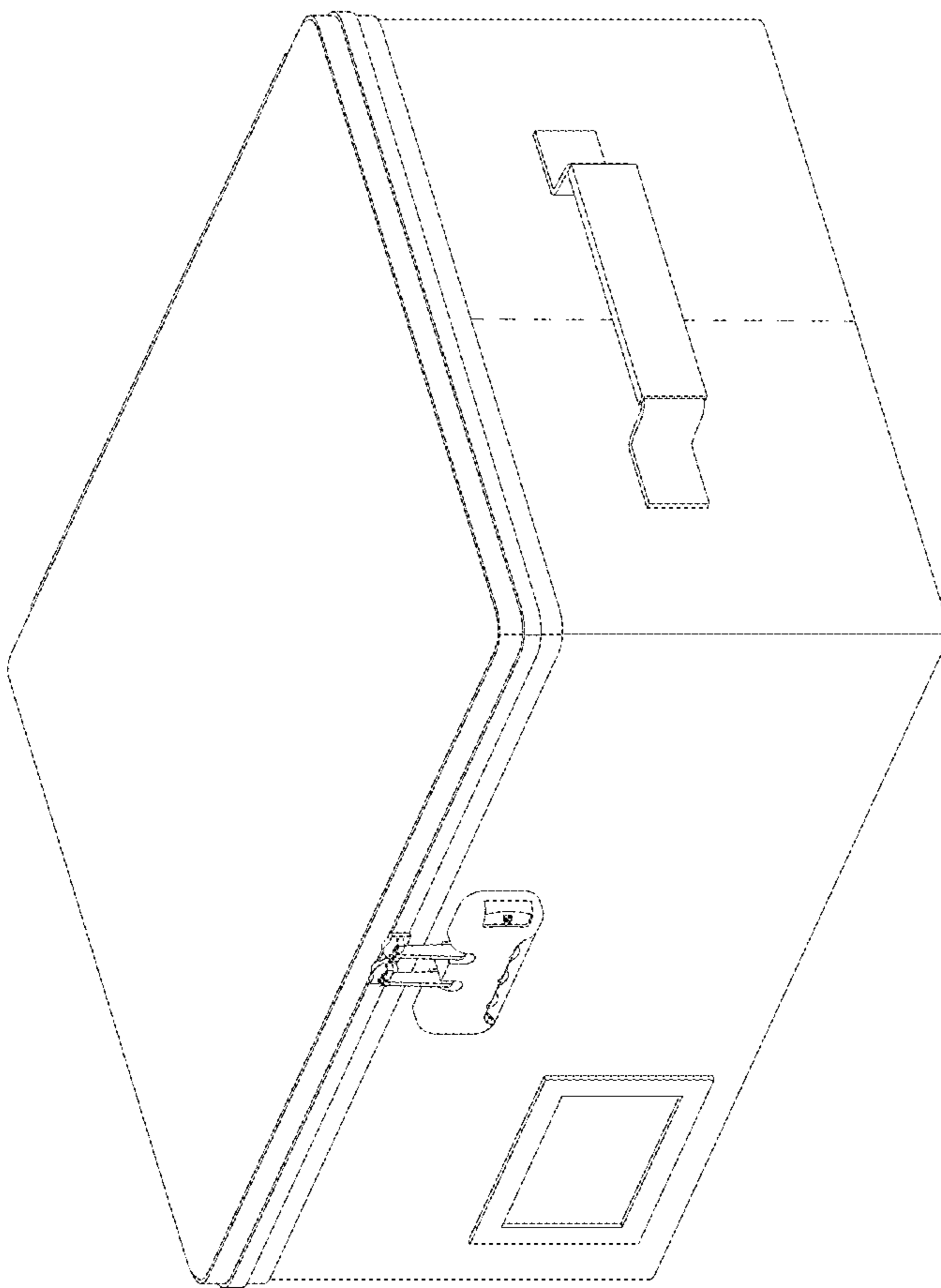


FIG. 3

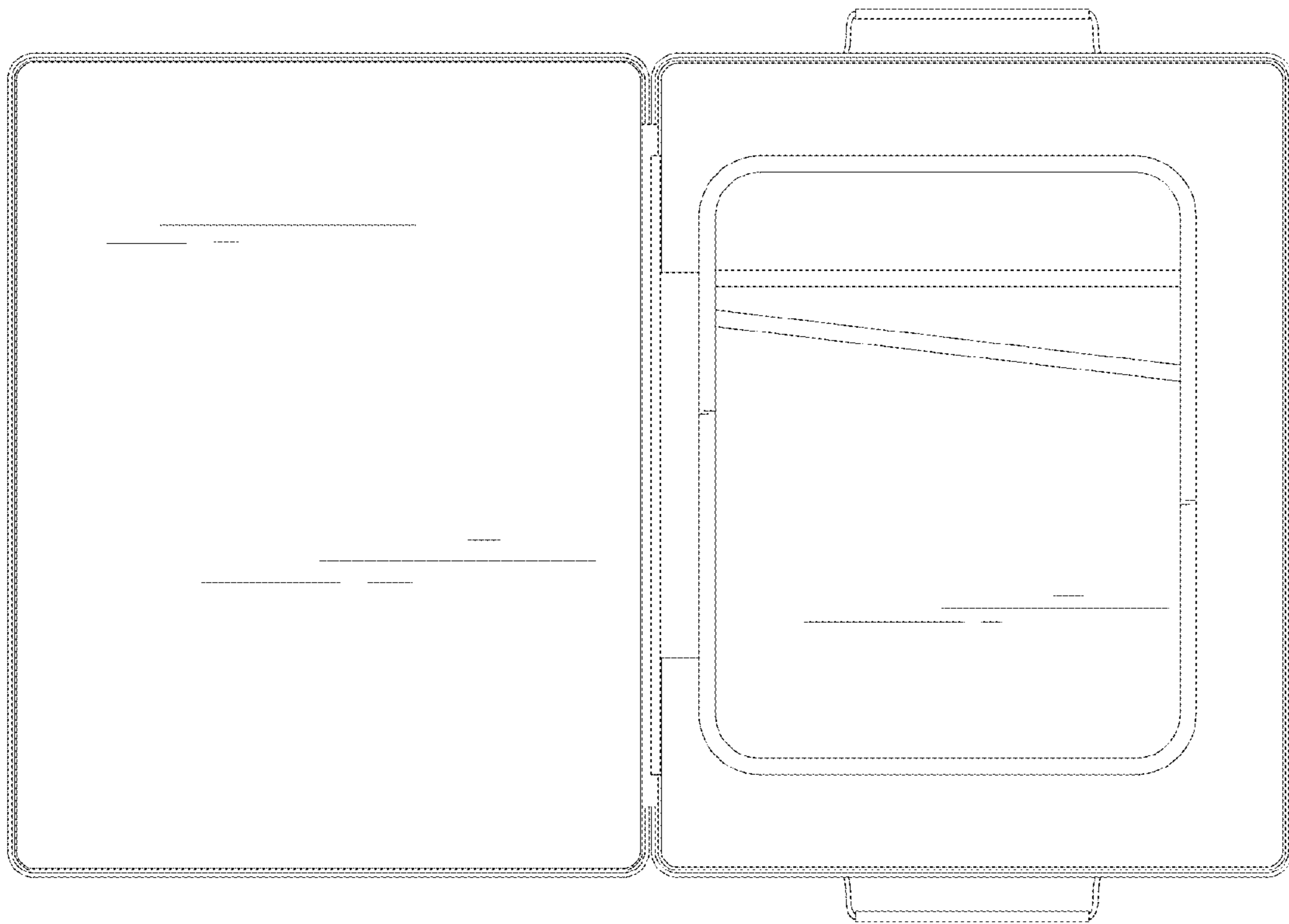


FIG. 4

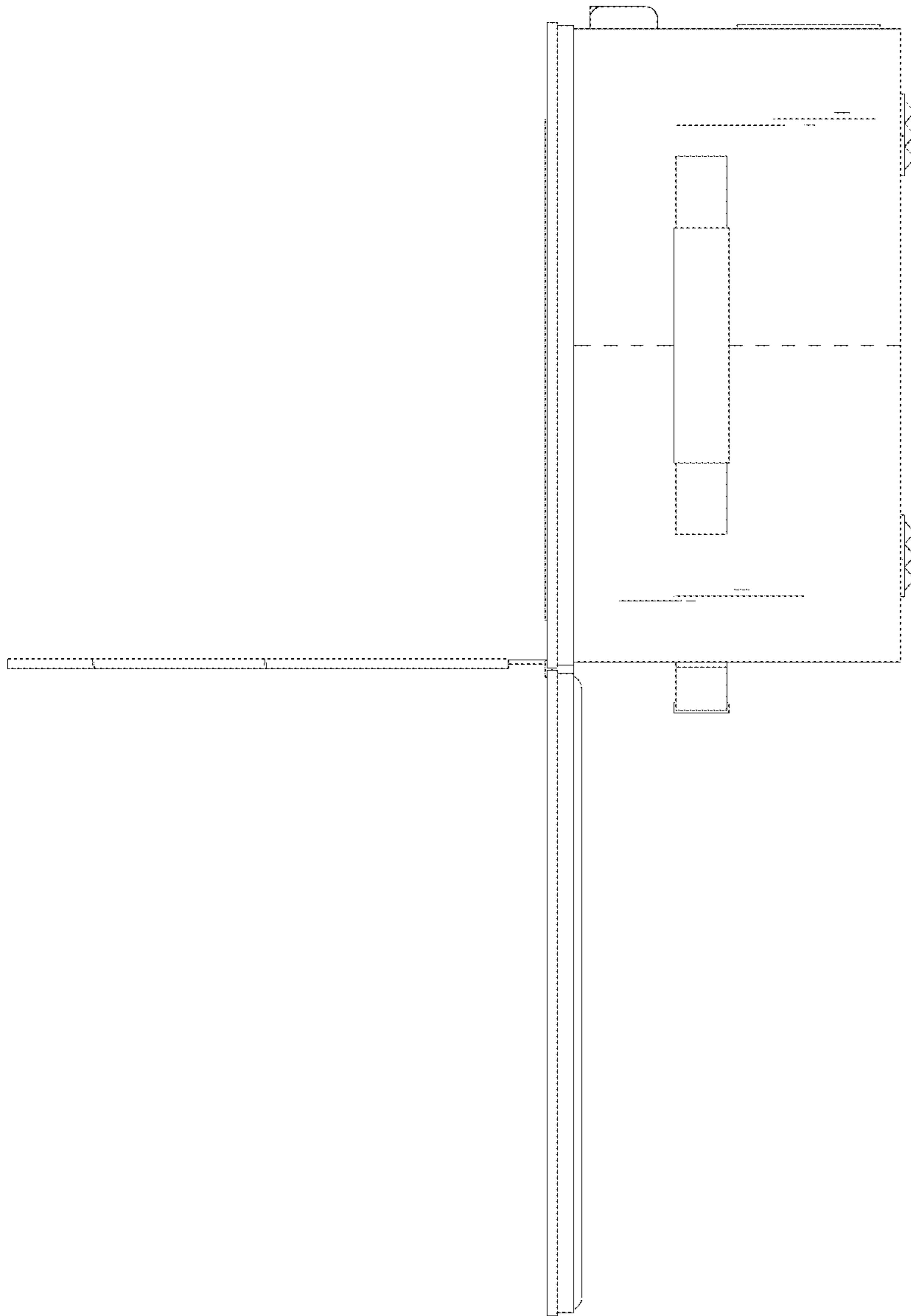


FIG. 5

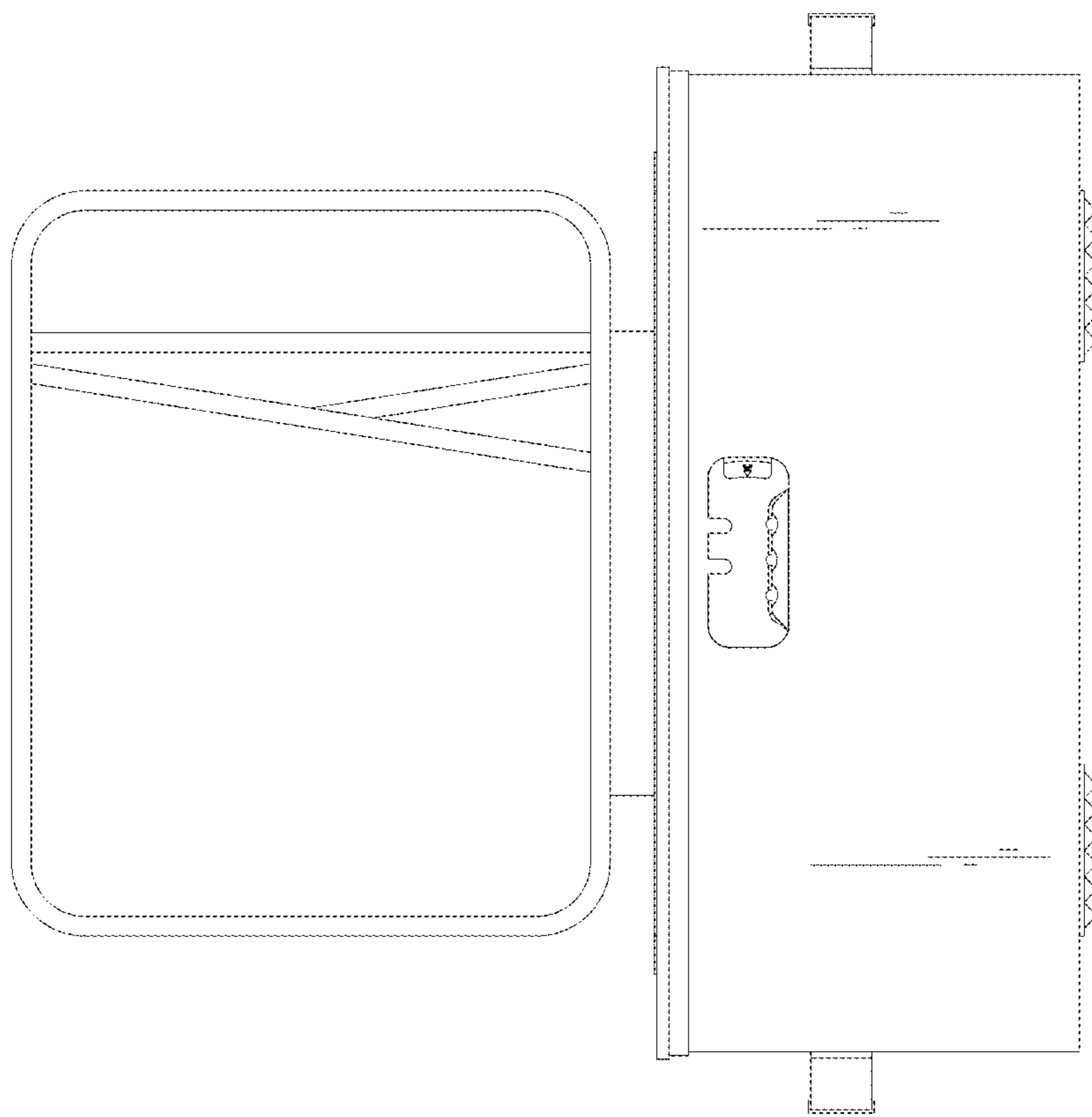


FIG. 6

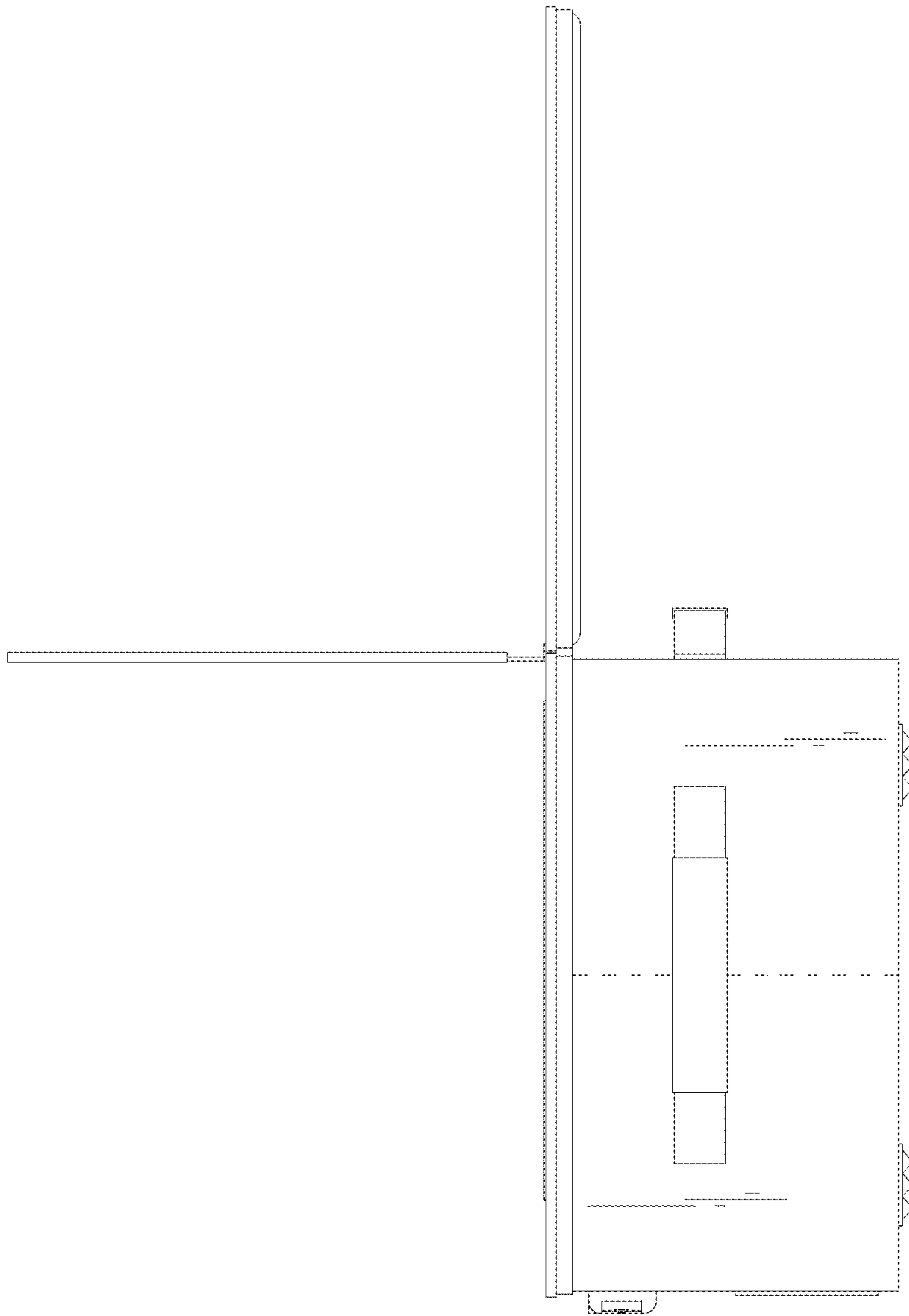


FIG. 7



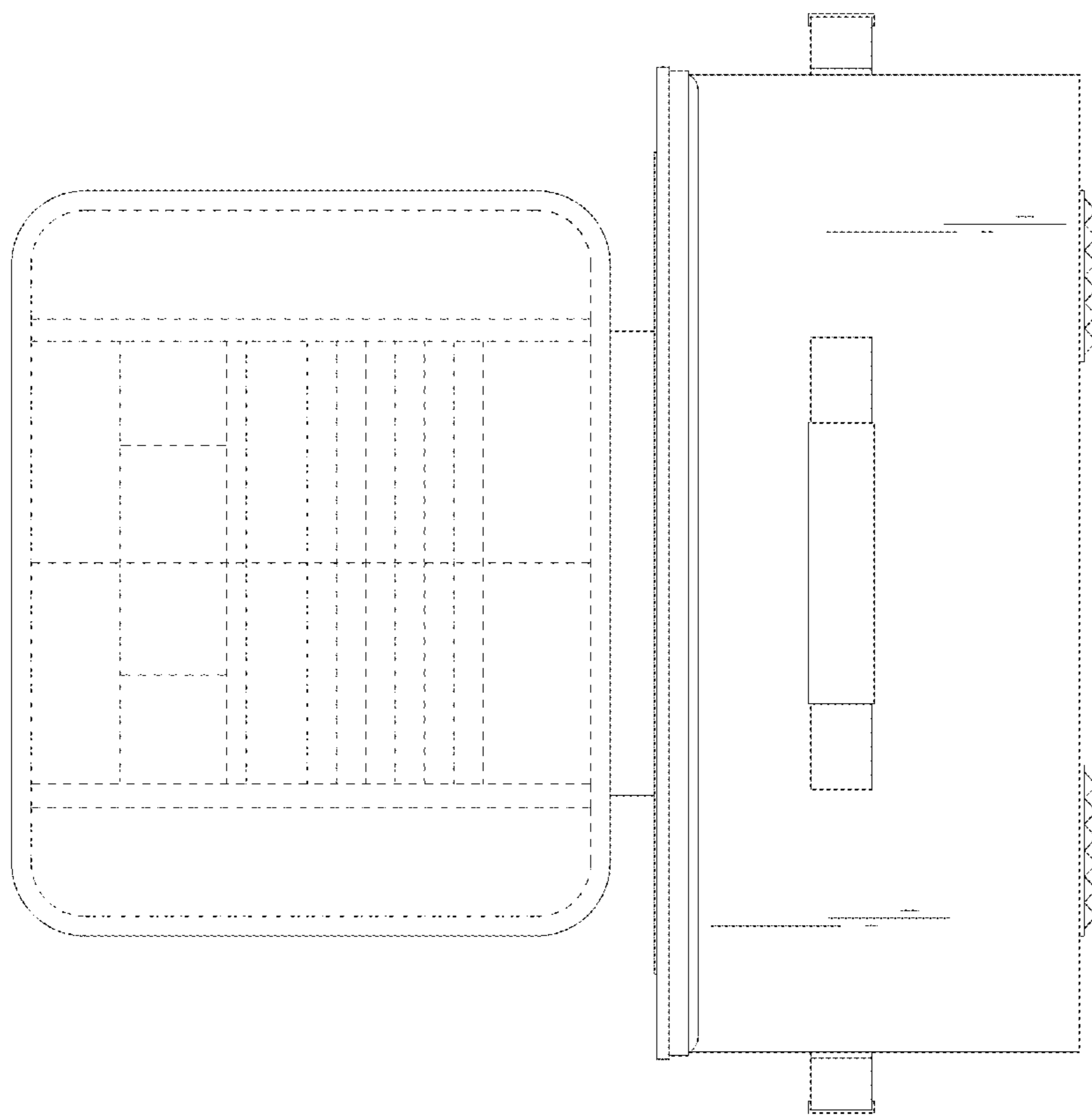


FIG. 8

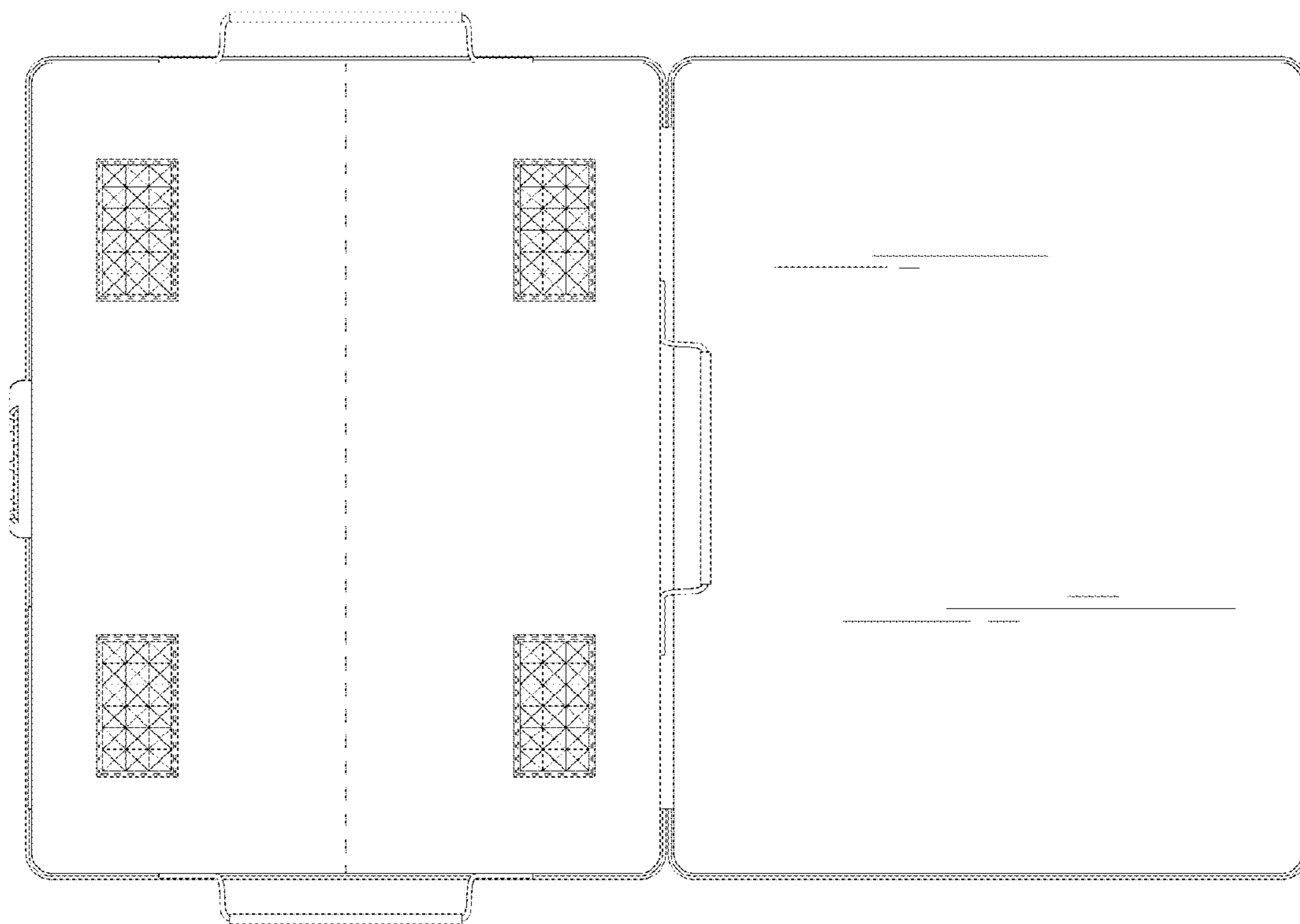


FIG. 9