



US00D946890S

(12) **United States Design Patent**
Eskridge

(10) **Patent No.:** **US D946,890 S**
(45) **Date of Patent:** **** Mar. 29, 2022**

- (54) **CONTAINER**
- (71) Applicant: **BLACK & DECKER INC.**, New Britain, CT (US)
- (72) Inventor: **Evan G. Eskridge**, Baltimore, MD (US)
- (73) Assignee: **BLACK & DECKER INC.**, New Britain, CT (US)
- (**) Term: **15 Years**
- (21) Appl. No.: **29/687,615**
- (22) Filed: **Apr. 15, 2019**
- (51) **LOC (13) Cl.** **03-01**
- (52) **U.S. Cl.**
USPC **D3/276; D3/905**
- (58) **Field of Classification Search**
USPC D3/201, 217, 273, 276, 279, 283, 285, D3/289, 290, 900, 902, 905, 257, 258, D3/278, 318, 303, 254, 321, 216, 901; D9/424; D32/53
CPC A45C 2003/008; A45C 2005/035; A45C 2003/007; A45C 13/02; A45C 11/02; A45C 2200/10; A45C 2013/026; A45C 2013/025; B25H 3/02; B65F 1/04; B65F 1/08
See application file for complete search history.

D729,480 S * 5/2015 Silkaitis D32/53
 D848,147 S * 5/2019 Chen D3/276
 D878,695 S * 3/2020 Reinhart D32/53

OTHER PUBLICATIONS

Lowes, "Craftsman 5-Gallon (20-Quart) Black Tote with Latching Lid", First reviewed Jun. 30, 2019. (<https://www.lowes.com/pd/CRAFTSMAN-5-Gallon-20-Quart-Black-Tote-with-Latching-Lid/1000976088>) (Year: 2019).*

Lowes, "Commander 5-Gallon (20-Quart) Black Tote with Standard Snap Lid", First reviewed Jul. 2, 2019. (<https://www.lowes.com/pd/COMMANDER-5-Gallon-20-Quart-Black-Tote-with-Standard-Snap-Lid/1000976060>) (Year: 2019).*

* cited by examiner

Primary Examiner — April Rivas
 (74) *Attorney, Agent, or Firm* — Adan Ayala

(57) **CLAIM**

The ornamental design for a container, as shown and described.

DESCRIPTION

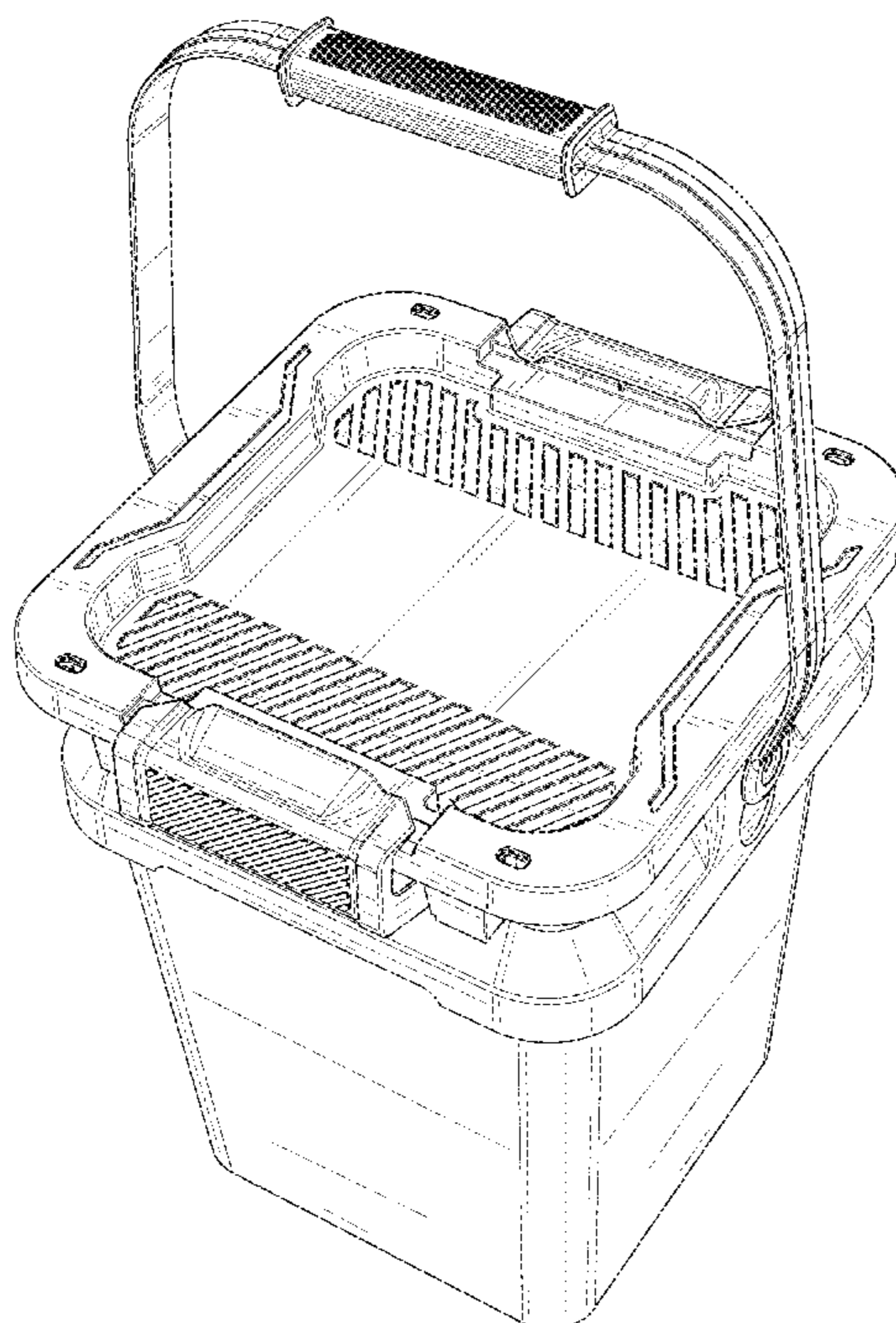
FIG. 1 is a front perspective view of a container according to the invention.
 FIG. 2 is a front view of the container of FIG. 1.
 FIG. 3 is a rear view of the container of FIG. 1.
 FIG. 4 is a right side view of the container of FIG. 1.
 FIG. 5 is a left side view of the container of FIG. 1.
 FIG. 6 is a top plan view of the container of FIG. 1; and, FIG. 7 is a bottom plan view of the container of FIG. 1.
 The broken lines illustrate portions of the container and form no part of the claimed design.

(56) **References Cited**

U.S. PATENT DOCUMENTS

D503,534 S * 4/2005 Dong D3/276
 D587,566 S * 3/2009 Albrecht D9/424

1 Claim, 7 Drawing Sheets



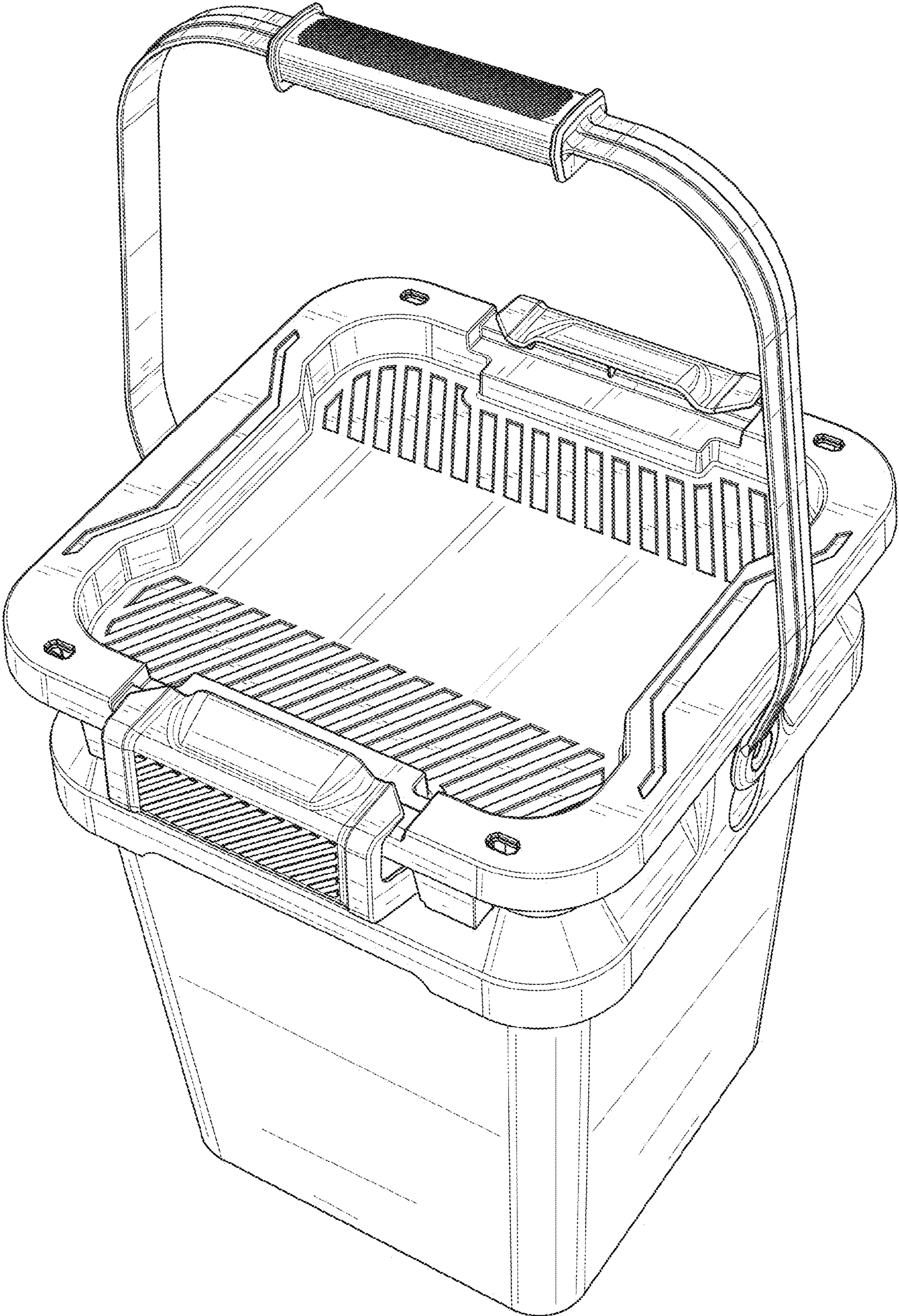


FIG. 1

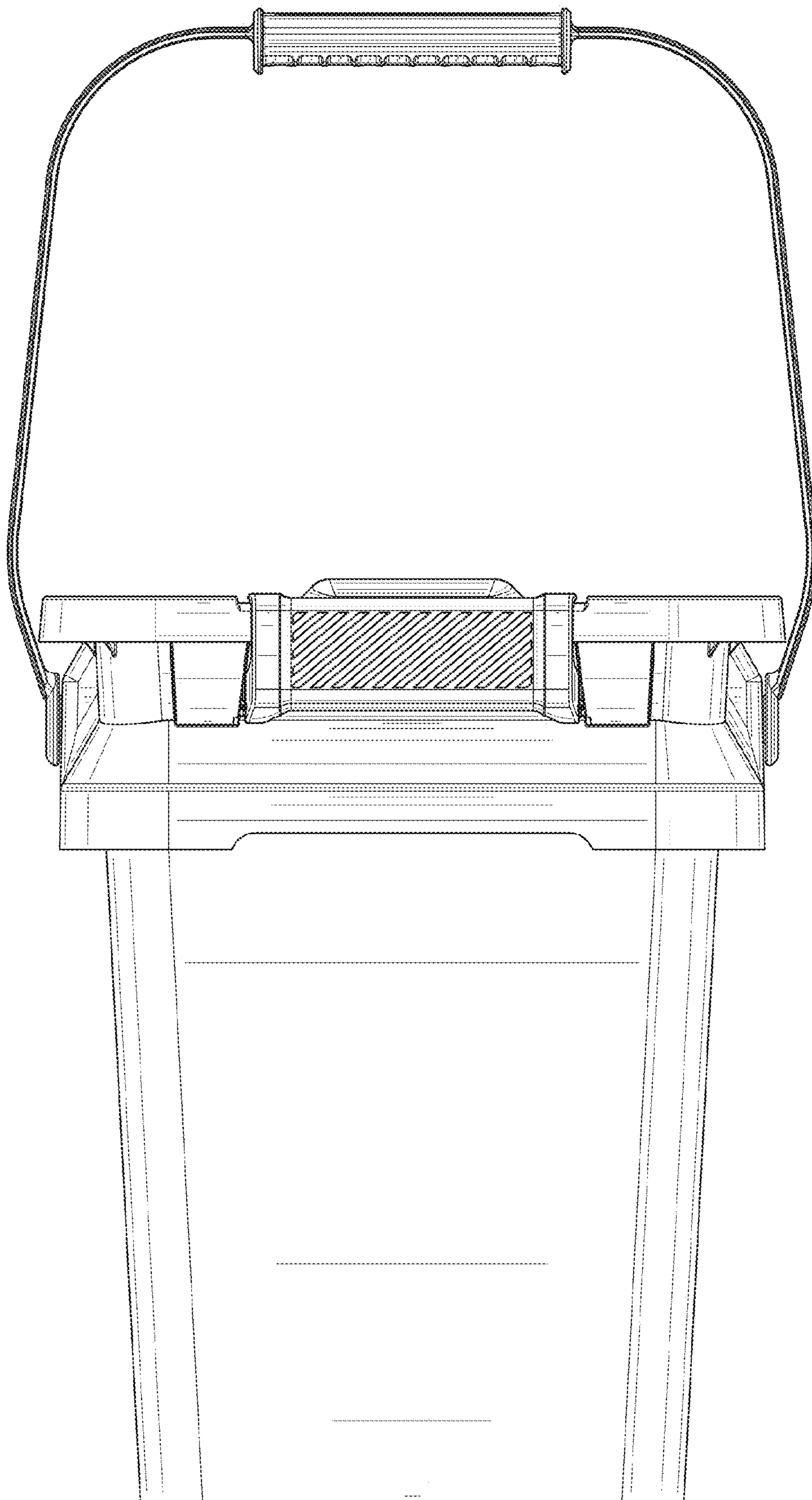


FIG. 2

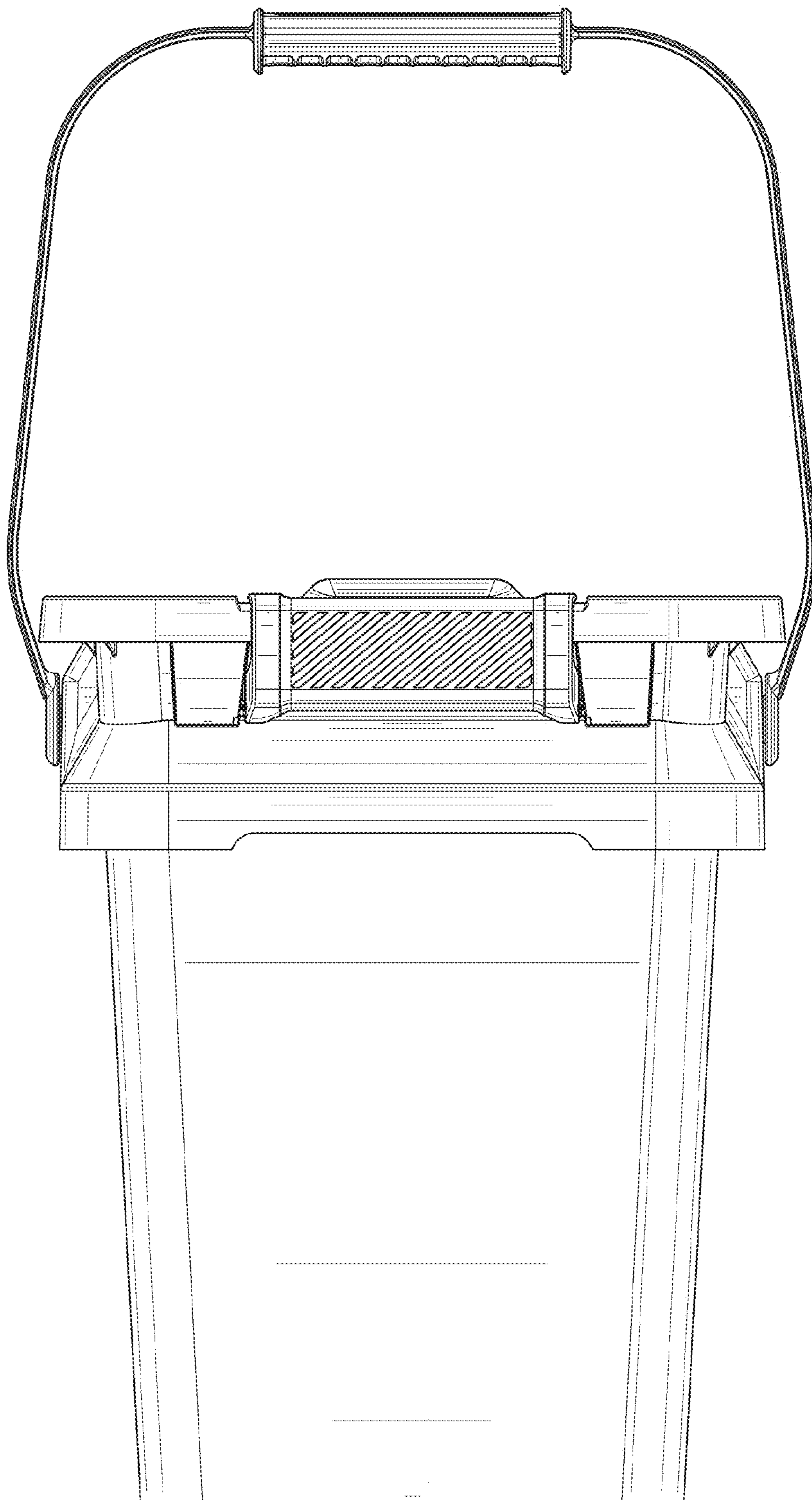


FIG. 3

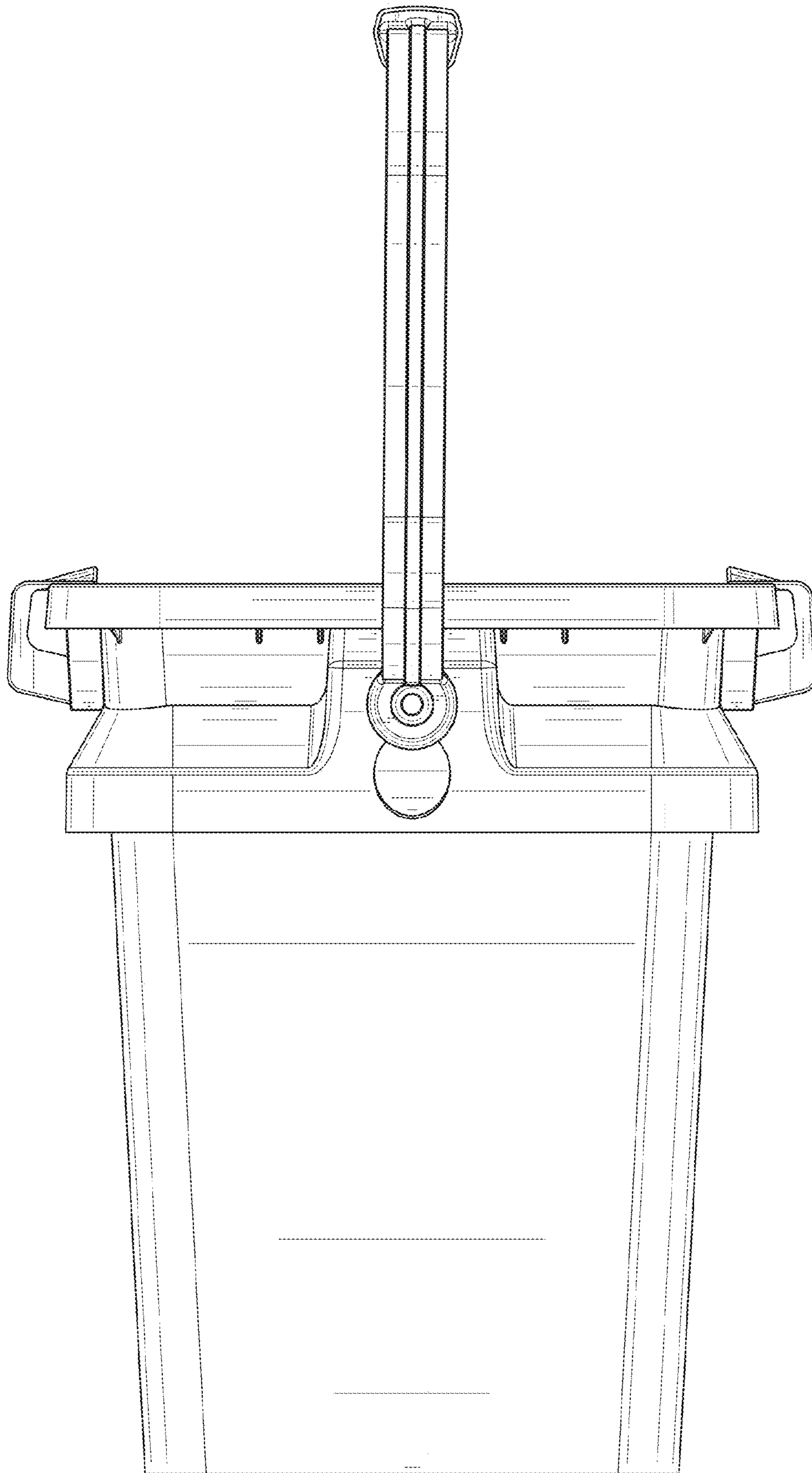


FIG. 4

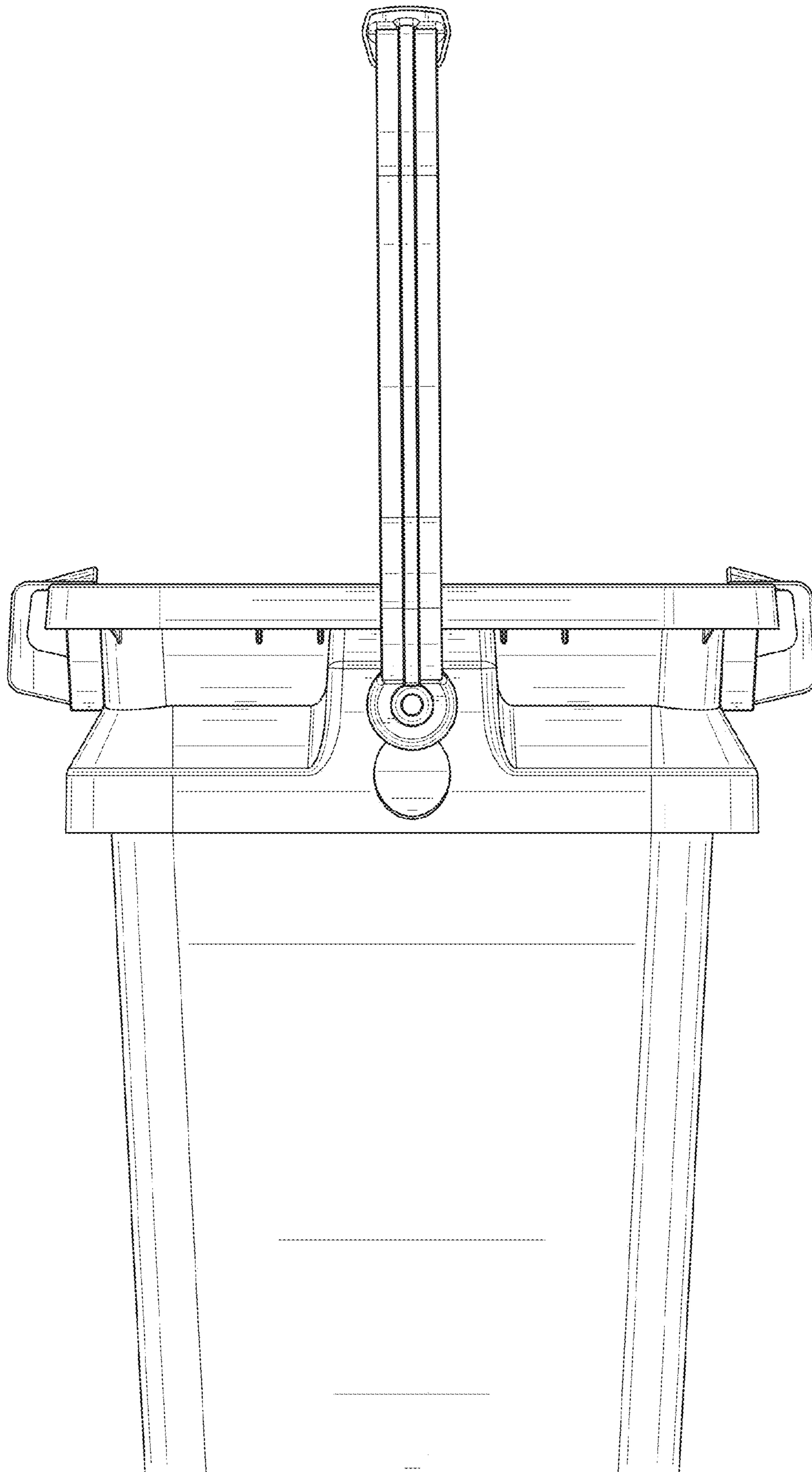


FIG. 5

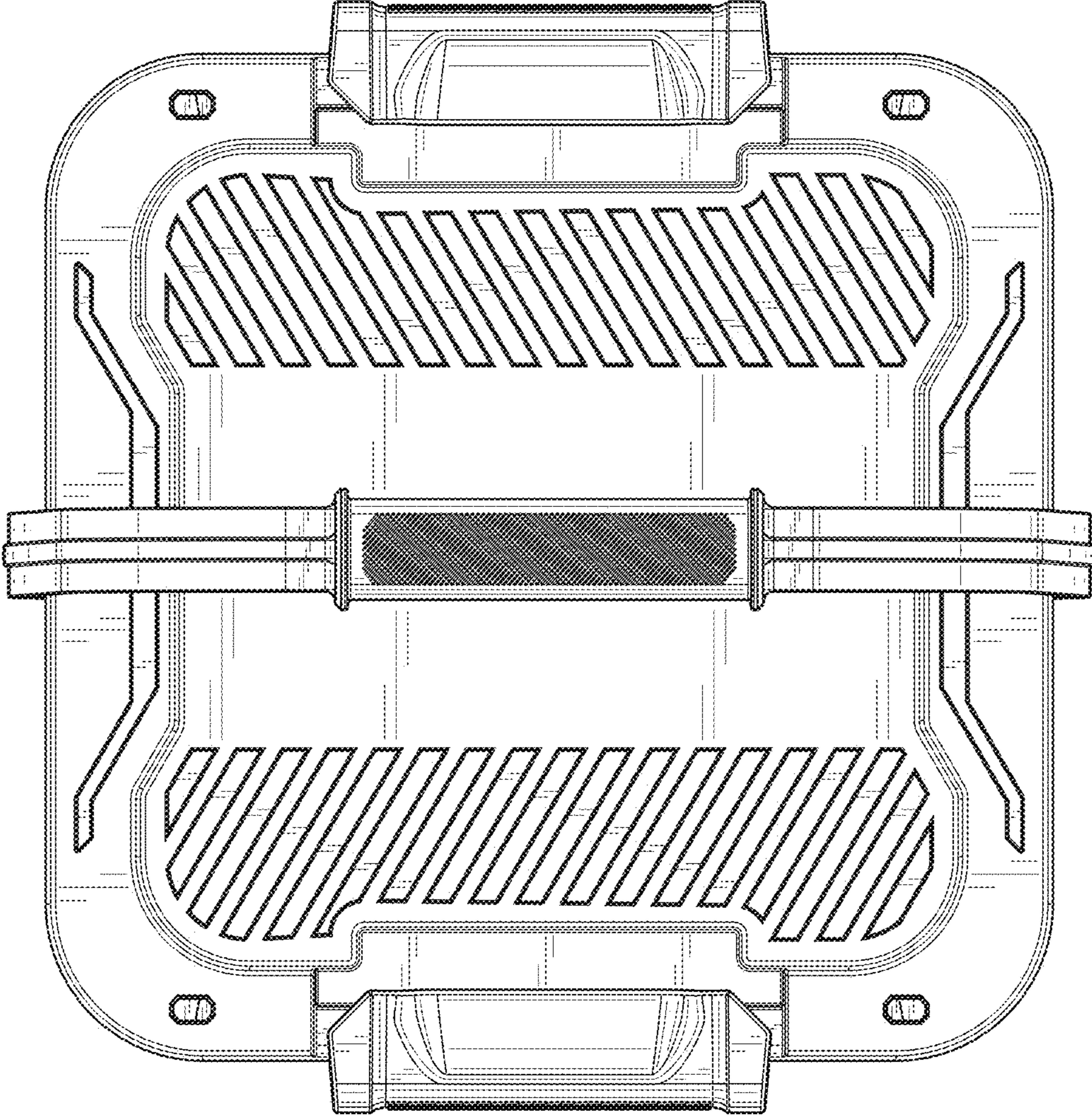


FIG. 6

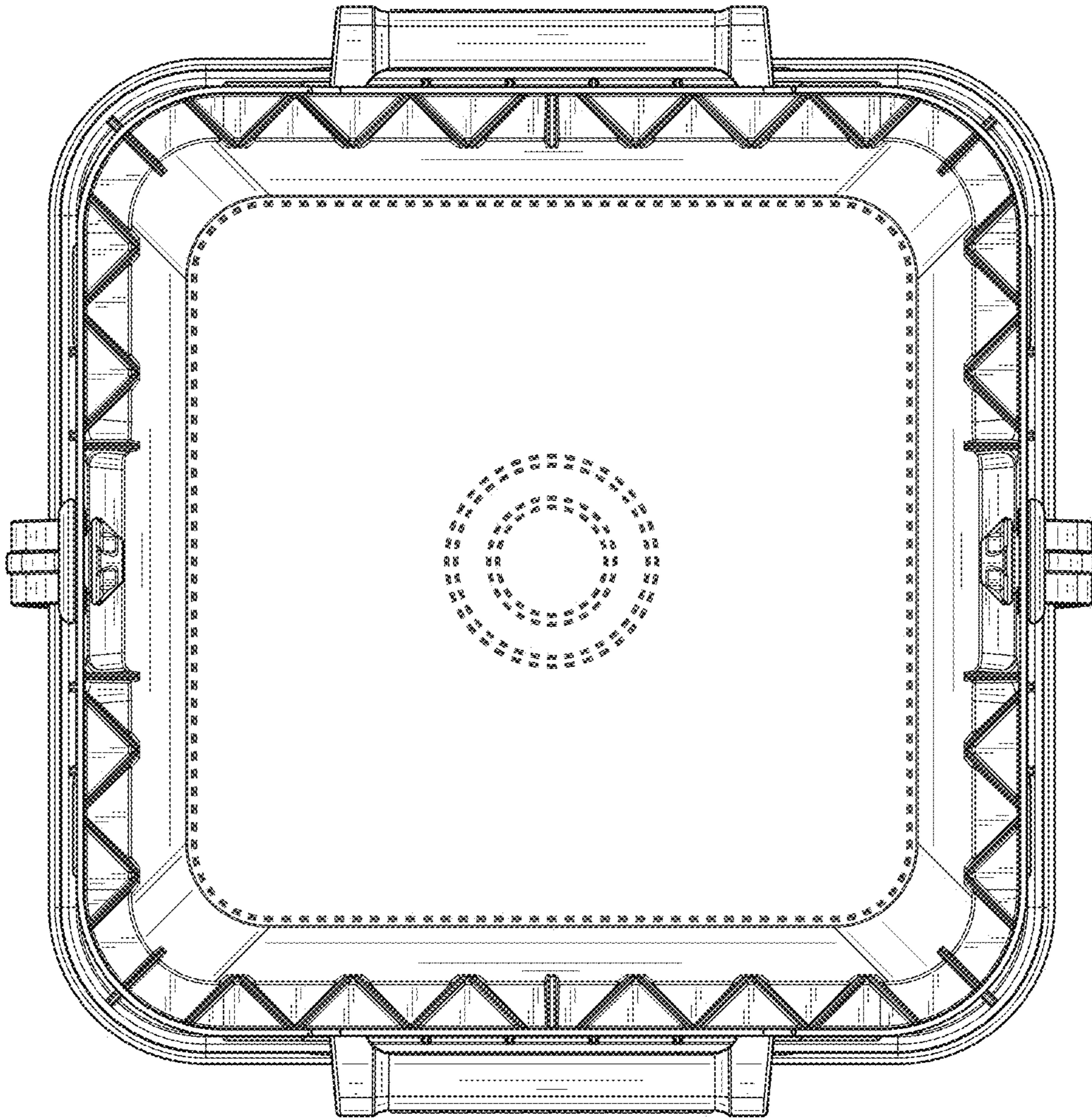


FIG. 7