



US00D946886S

(12) **United States Design Patent**  
**Zhang**

(10) **Patent No.:** **US D946,886 S**  
(45) **Date of Patent:** **\*\* \*Mar. 29, 2022**

(54) **GUN HOLSTER**  
(71) Applicant: **Cytac Technology Limited**, Shenzhen (CN)  
(72) Inventor: **Yong Zhang**, Shenzhen (CN)  
(\* ) Notice: This patent is subject to a terminal disclaimer.  
(\*\*) Term: **15 Years**

7,841,497 B1 \* 11/2010 Gregory ..... F41C 33/0263  
224/243  
8,720,755 B2 \* 5/2014 Gregory ..... F41C 33/0263  
224/244  
D801,041 S \* 10/2017 Lance ..... F41C 33/0254  
D3/222  
D836,329 S \* 12/2018 Myers ..... D3/222  
D839,589 S \* 2/2019 Dolfi ..... D3/222  
D841,319 S \* 2/2019 Tang ..... D3/222  
D874,131 S \* 2/2020 Zhang ..... D3/222  
2007/0175935 A1 \* 8/2007 Clifton, Jr. .... F41C 33/0227  
224/243

(21) Appl. No.: **29/711,835**  
(22) Filed: **Nov. 4, 2019**

**FOREIGN PATENT DOCUMENTS**

CA 2779960 \* 5/2011 ..... F41C 33/02

(30) **Foreign Application Priority Data**  
Jun. 11, 2019 (CN) ..... 201930299590.6

**OTHER PUBLICATIONS**

Level III Duty Holster . . . <https://www.cytacstore.com/holster/duty-holster.html> (Year: 2019).\*

(51) **LOC (13) Cl.** ..... **03-01**  
(52) **U.S. Cl.**  
USPC ..... **D3/222**

\* cited by examiner

*Primary Examiner* — Catherine R Oliver-Garcia

(58) **Field of Classification Search**  
USPC ..... D3/222; D22/108; 224/191–193, 199,  
224/238, 240, 243–246, 911–912, 901.4,  
224/672–674, 587, 665, 682; 89/34;  
42/106  
CPC .... A45F 5/02; A45F 5/021; A45F 3/14; F41C  
33/0236; F41C 33/041; F41C 33/048;  
F41C 33/04; F41C 33/0263; F41C  
33/0218; F41C 33/046; F41C 33/0209;  
F41C 33/0254; F41C 33/0227  
See application file for complete search history.

(57) **CLAIM**

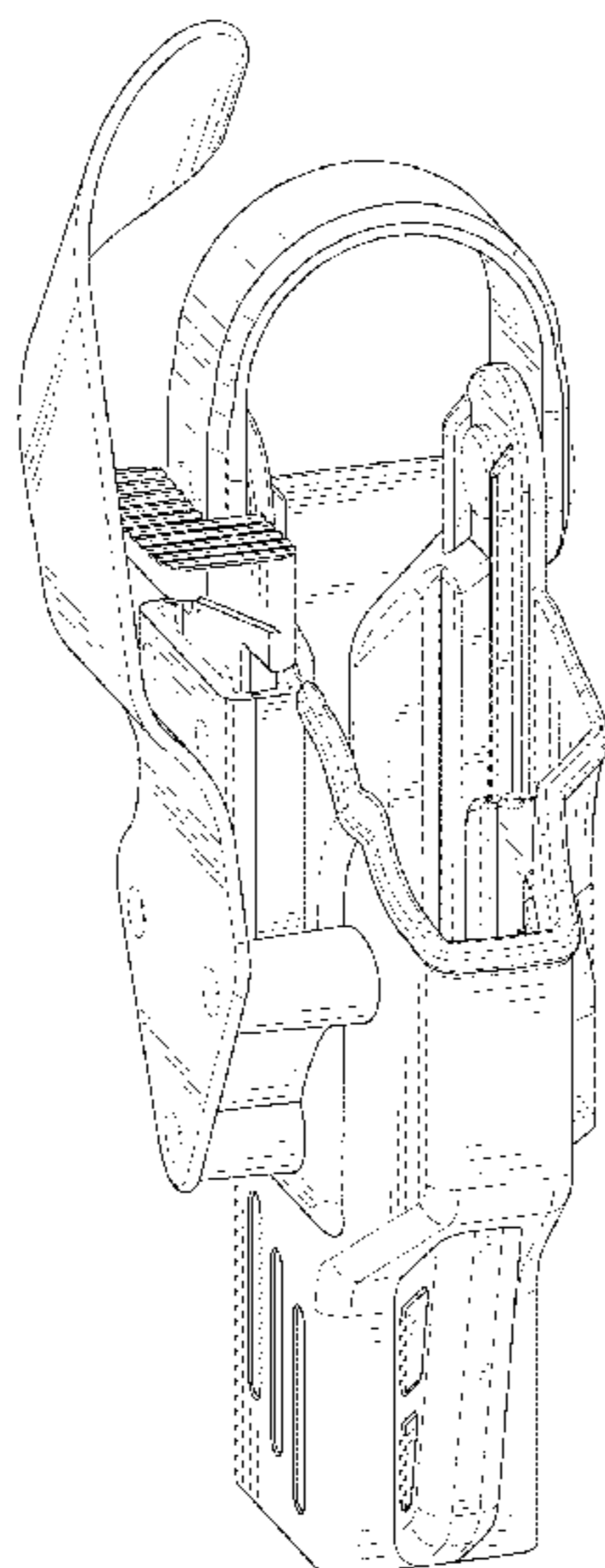
The ornamental design for a gun holster, as shown and described.

**DESCRIPTION**

FIG. 1 is a front and top perspective view of a gun holster, showing my new design;  
FIG. 2 is a rear and bottom perspective view thereof;  
FIG. 3 is a front elevational view thereof;  
FIG. 4 is a rear elevational view thereof;  
FIG. 5 is a left side elevational view thereof;  
FIG. 6 is a right side elevational view thereof;  
FIG. 7 is a top plan view thereof; and,  
FIG. 8 is a bottom plan view thereof.  
The broken lines in the figures illustrate portions of the gun holster that form no part of the claimed design.

(56) **References Cited**  
U.S. PATENT DOCUMENTS  
D227,099 S \* 6/1973 Barrow ..... D3/222  
4,886,197 A \* 12/1989 Bowles ..... F41C 33/0227  
224/243  
4,905,880 A \* 3/1990 Cupp ..... F41C 33/0227  
224/192

**1 Claim, 8 Drawing Sheets**



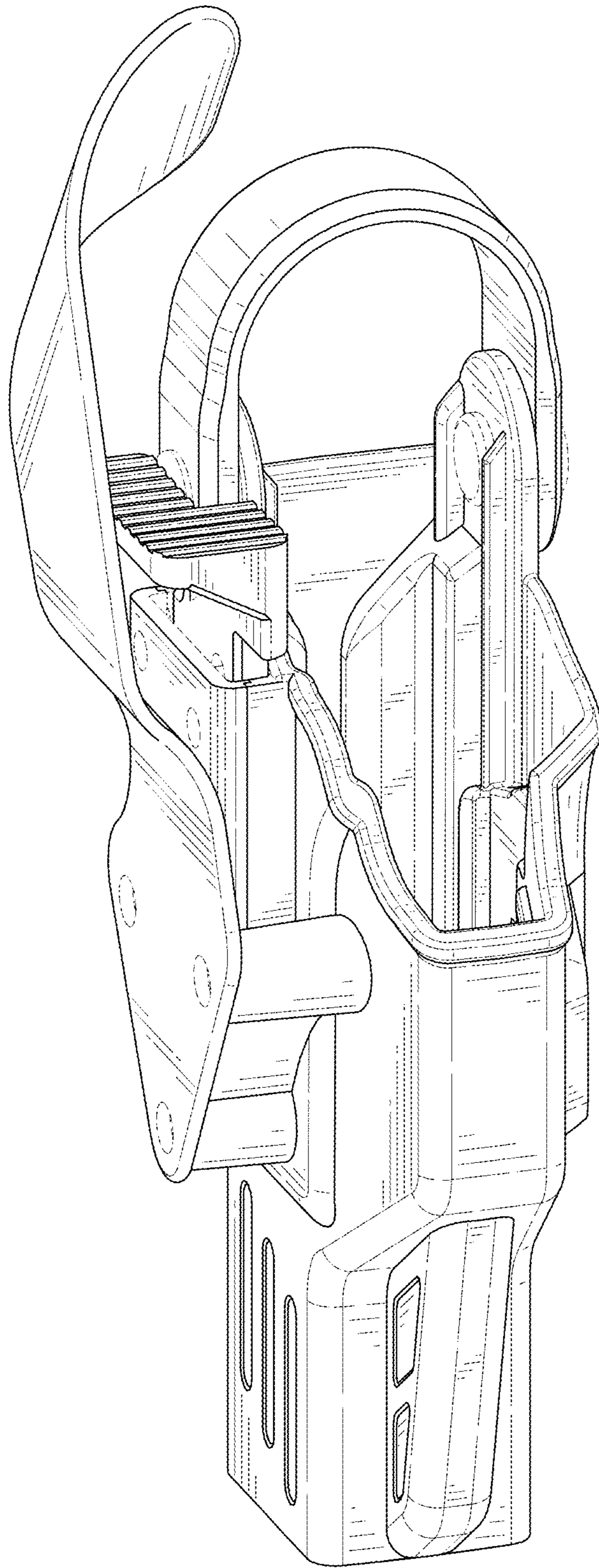


FIG. 1

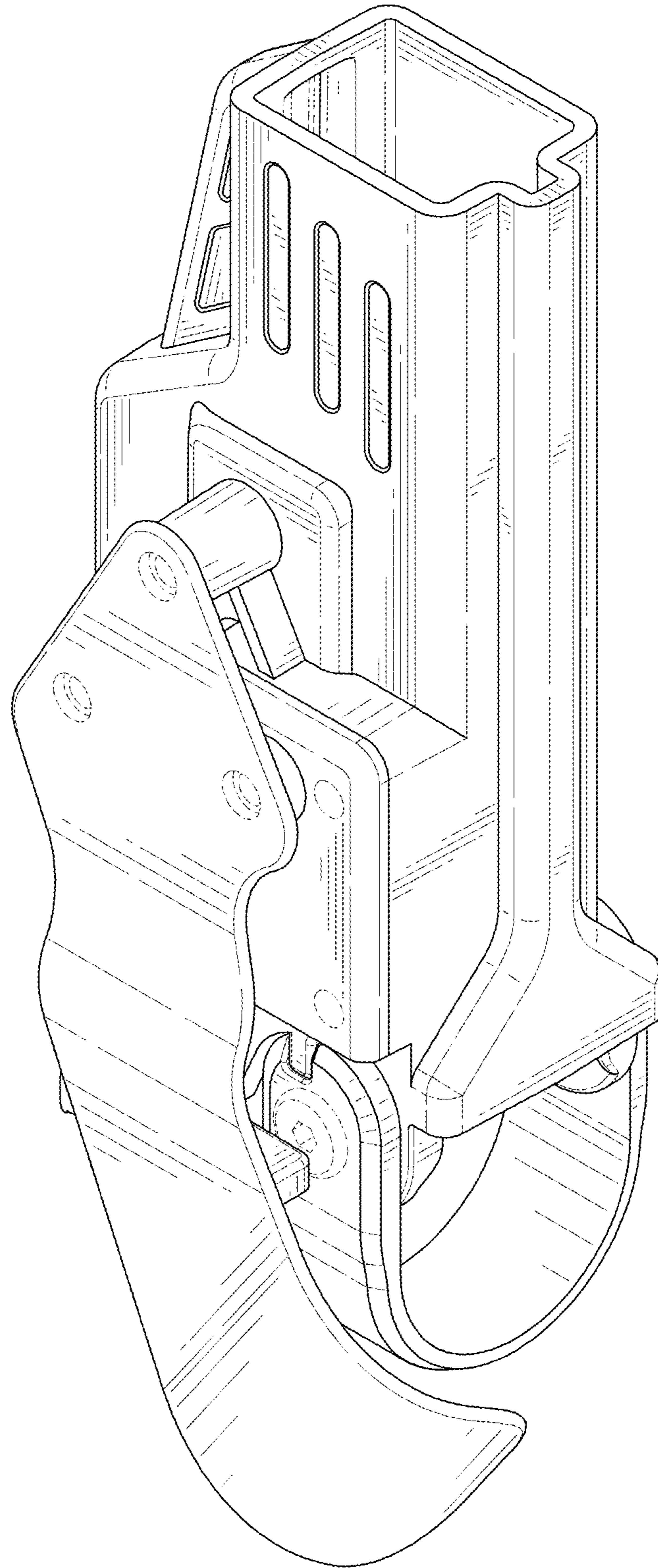


FIG. 2

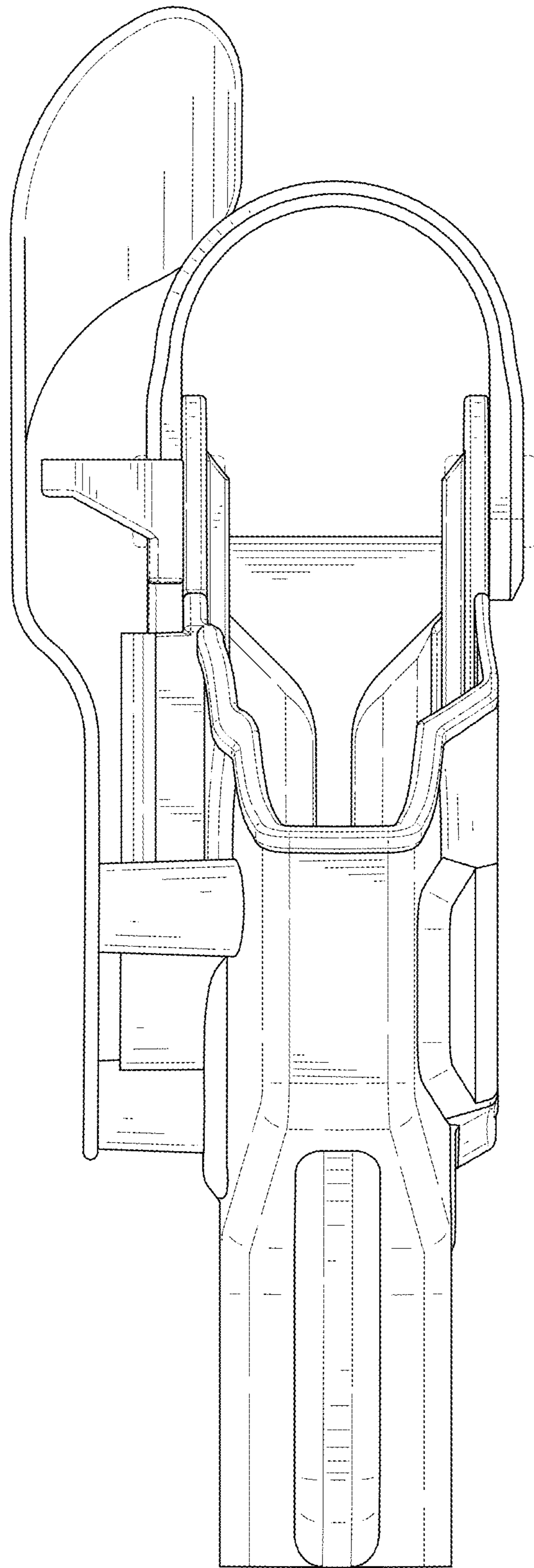


FIG. 3

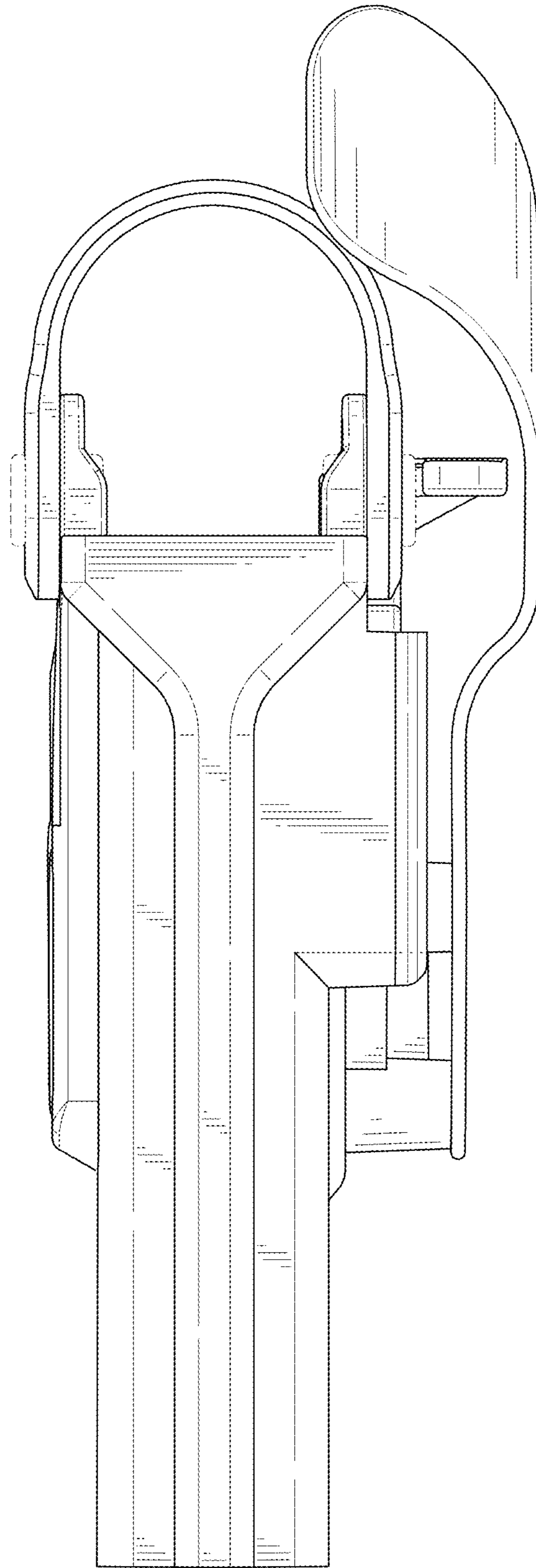


FIG. 4

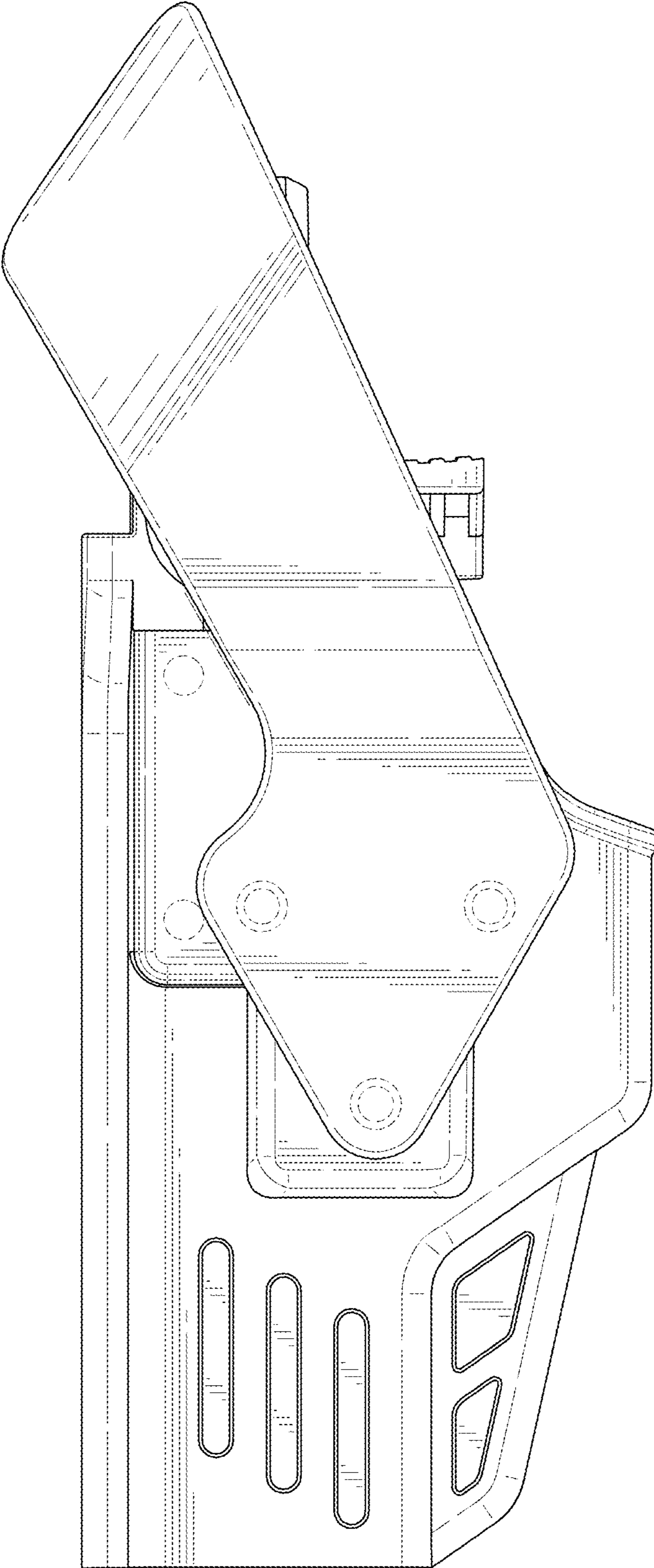


FIG. 5

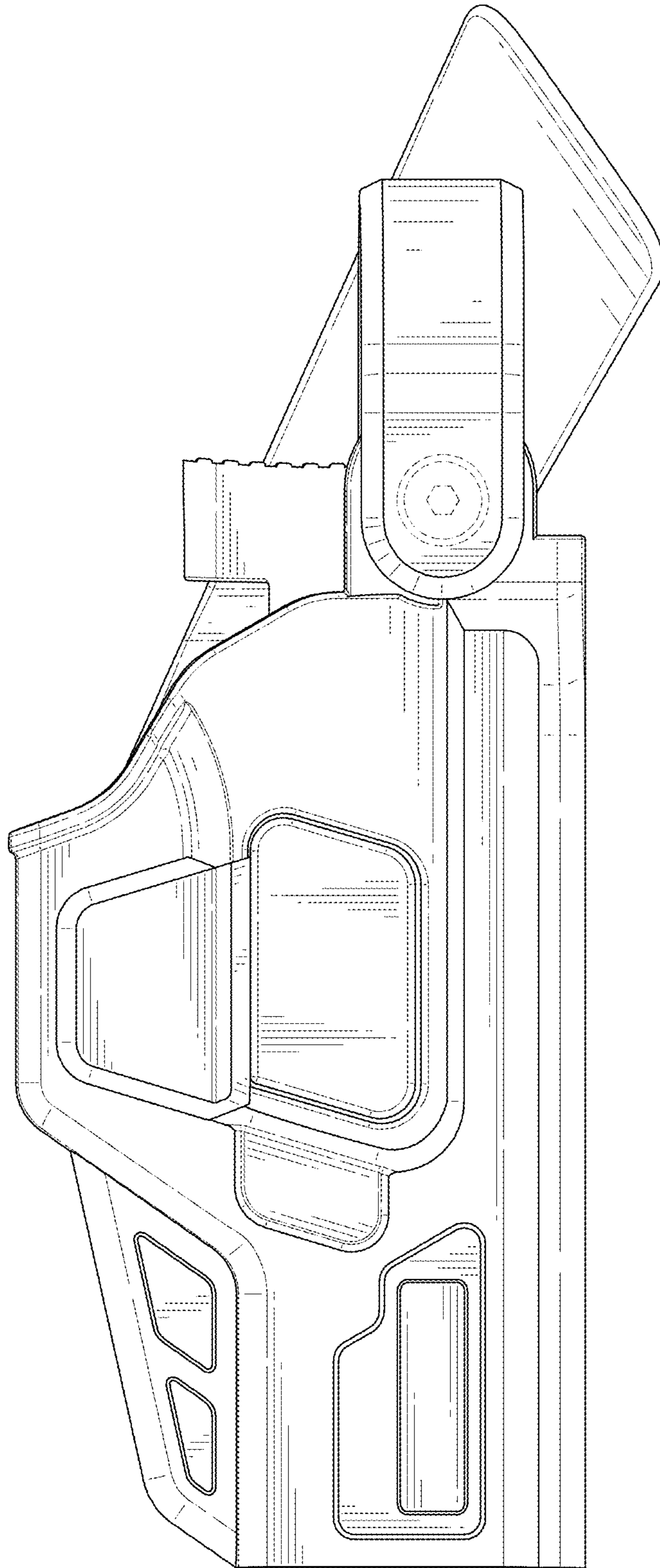


FIG. 6

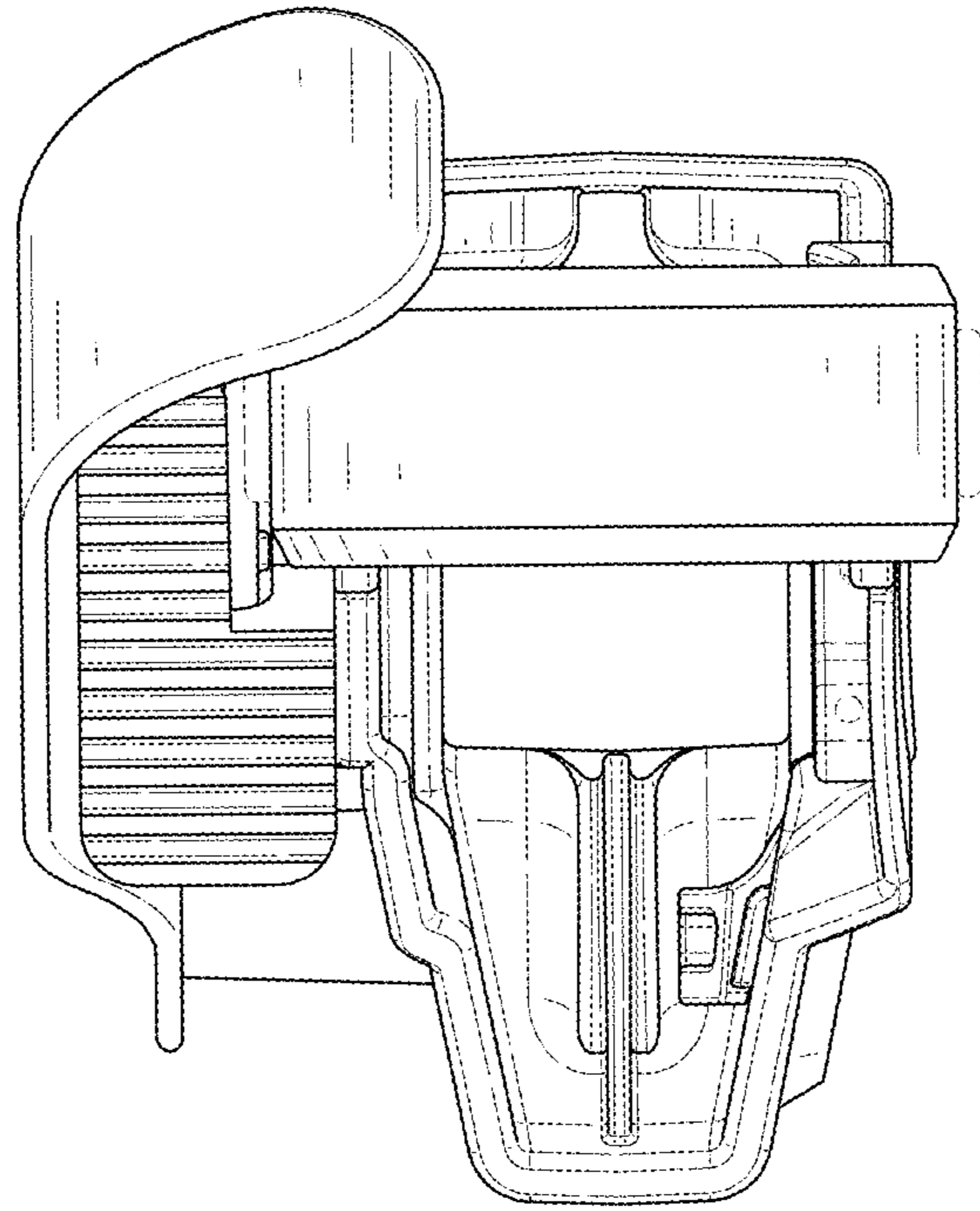


FIG. 7



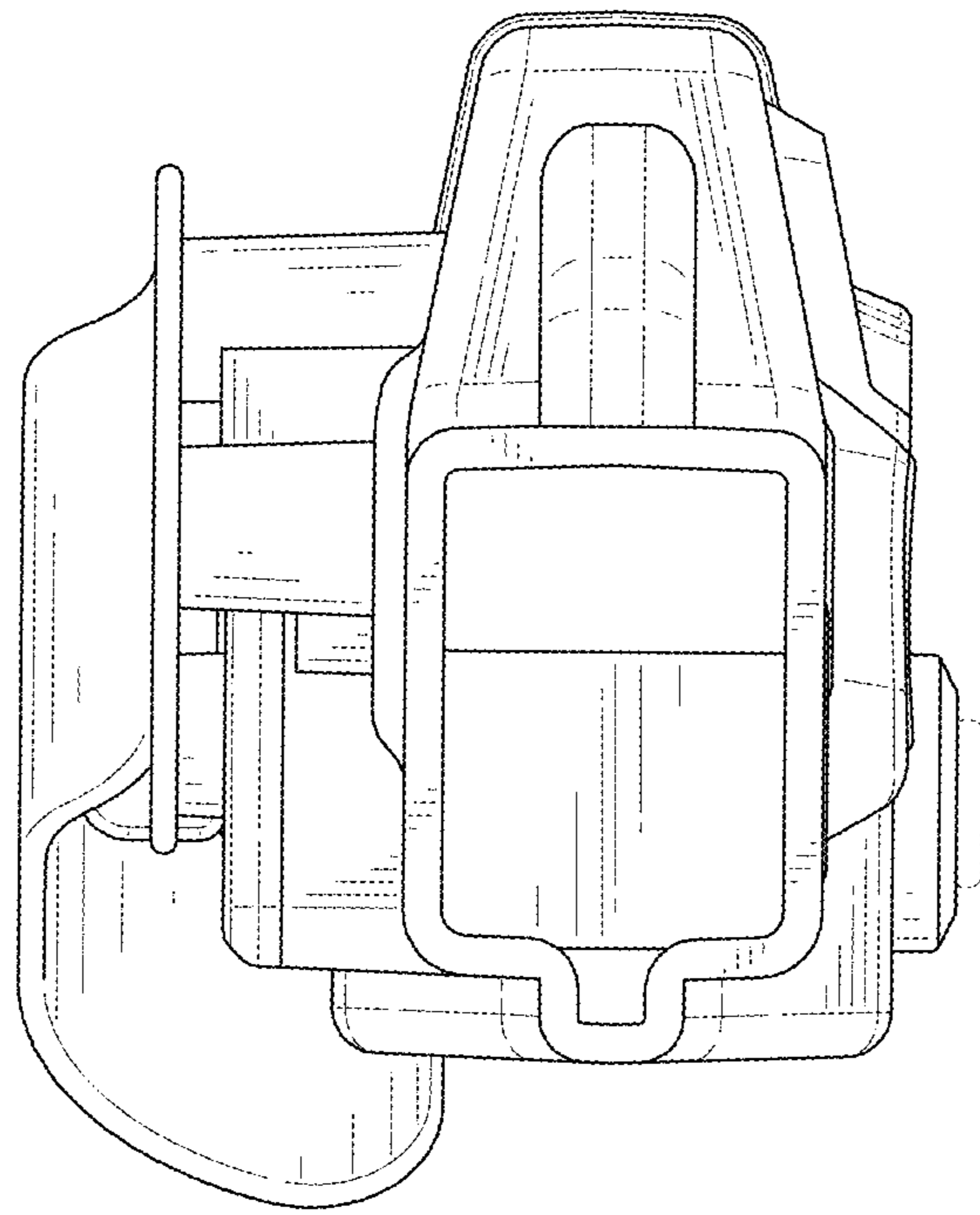


FIG. 8