



US00D946884S

(12) **United States Design Patent**
Maduro

(10) **Patent No.:** **US D946,884 S**

(45) **Date of Patent:** **** *Mar. 29, 2022**

(54) **BACKPACK**

(71) Applicant: **Clement Maduro**, Fall River, MA (US)

(72) Inventor: **Clement Maduro**, Fall River, MA (US)

(*) Notice: This patent is subject to a terminal disclaimer.

(**) Term: **15 Years**

(21) Appl. No.: **29/537,479**

(22) Filed: **Aug. 26, 2015**

(51) **LOC (13) Cl.** **03-01**

(52) **U.S. Cl.**
USPC **D3/217**

(58) **Field of Classification Search**
USPC D3/201, 213–219, 221, 224, 225, 229,
D3/230, 232, 243–246, 254, 318
CPC A45F 3/04; A45F 4/02; A45F 2200/0525;
A45F 2003/045; A45C 11/00; A45C
13/30; A45C 2011/002; A45C 2011/003;
A45C 2011/001; A45C 15/00
See application file for complete search history.

(56) **References Cited**

U.S. PATENT DOCUMENTS

4,793,534 A	12/1988	Berry	
4,884,731 A	12/1989	Sibley	
5,562,236 A	10/1996	Monzingo	
5,564,612 A	10/1996	Gregory	
5,628,443 A	5/1997	Deutsch	
5,743,447 A	4/1998	McDermott	
5,934,527 A	8/1999	Von Neumann	
6,062,446 A	5/2000	Daneau	
D511,620 S *	11/2005	Van Himbeeck	D3/217
7,124,921 B1	10/2006	Hubbell	
D548,455 S *	8/2007	Aliberti	D3/216
D605,397 S *	12/2009	Shor	D3/216
D661,085 S *	6/2012	Custer	D3/217

D694,002 S *	11/2013	Bland	D29/101.3
8,919,628 B2	12/2014	Jamlang	
D758,715 S *	6/2016	Daniel	D3/217
2002/0139820 A1 *	10/2002	Godshaw	A45F 4/02 224/153
2004/0065708 A1	4/2004	Amram	
2007/0045370 A1 *	3/2007	Hsieh	A45C 5/14 224/576
2009/0139814 A1 *	6/2009	Grossman	A45C 7/0086 190/18 A
2010/0237110 A1	9/2010	Hunter	
2011/0186611 A1	8/2011	Eberle	
2013/0169069 A1 *	7/2013	Stone	H02J 1/00 307/150

FOREIGN PATENT DOCUMENTS

DE	202010004768 U1	3/2012
WO	2008013781 A2	1/2008

* cited by examiner

Primary Examiner — Jennifer L Watkins
(74) *Attorney, Agent, or Firm* — Lambert Shortell & Connaughton; David J. Connaughton, Jr.

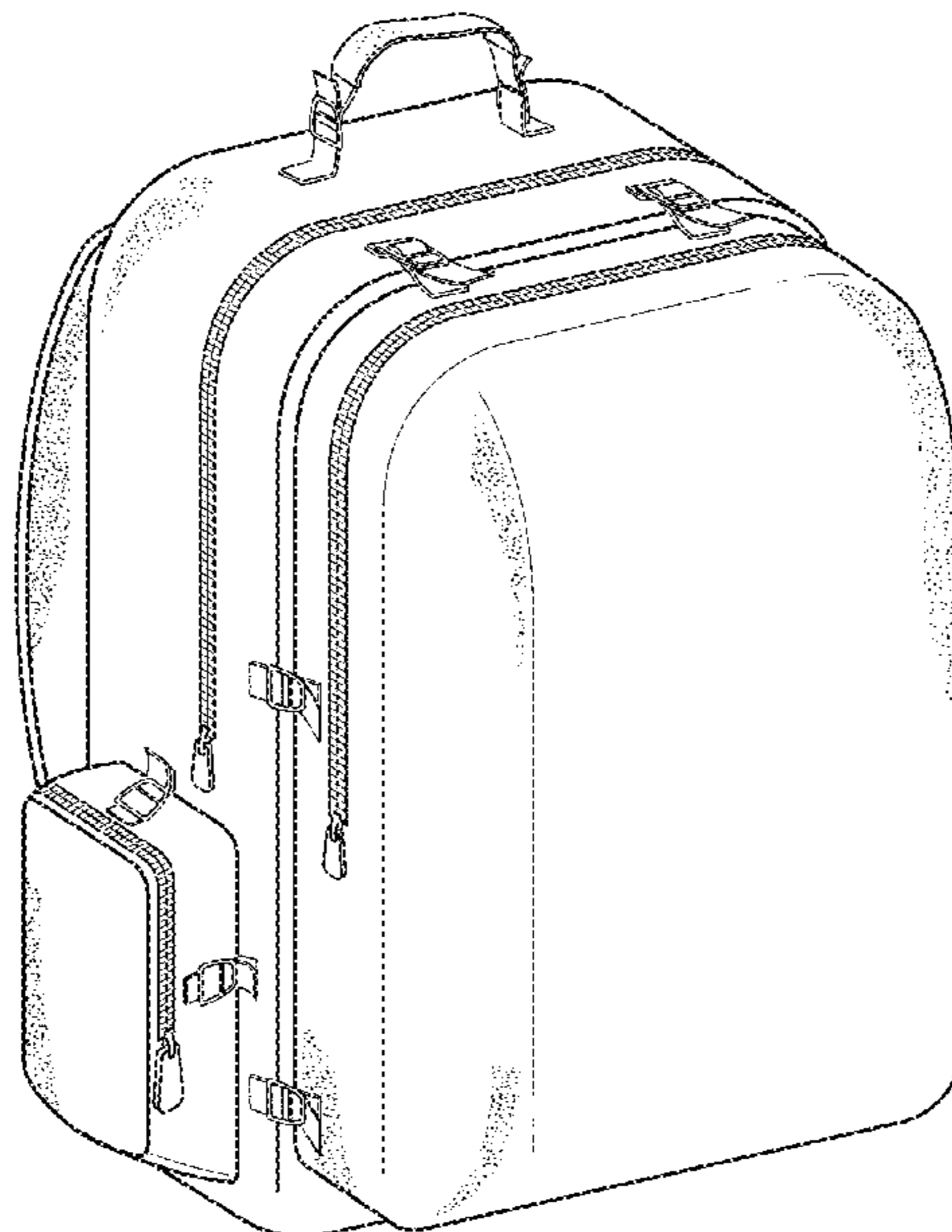
(57) **CLAIM**

The ornamental design for a backpack, as shown and described.

DESCRIPTION

FIG. 1 is a front isometric view of the backpack, which embodies my design;
FIG. 2 is a left side view of the backpack;
FIG. 3 is a right side view of the backpack;
FIG. 4 is a top plane view of the backpack;
FIG. 5 is a bottom plane view of the backpack;
FIG. 6 is a front side view of the backpack;
FIG. 7 is a back side view of the backpack; and,
FIG. 8 is an exploded isometric view of the backpack.

1 Claim, 8 Drawing Sheets



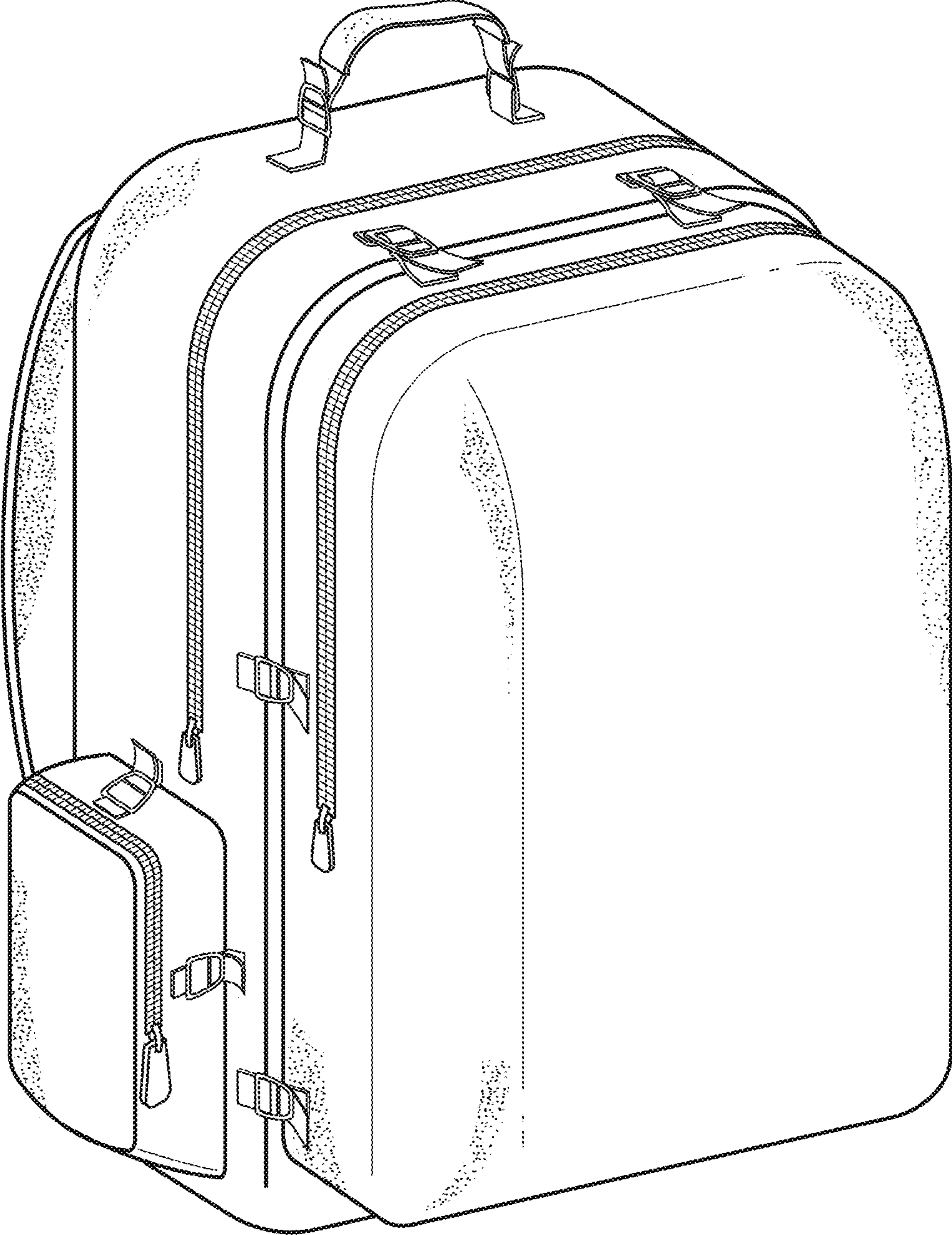


Fig. 1

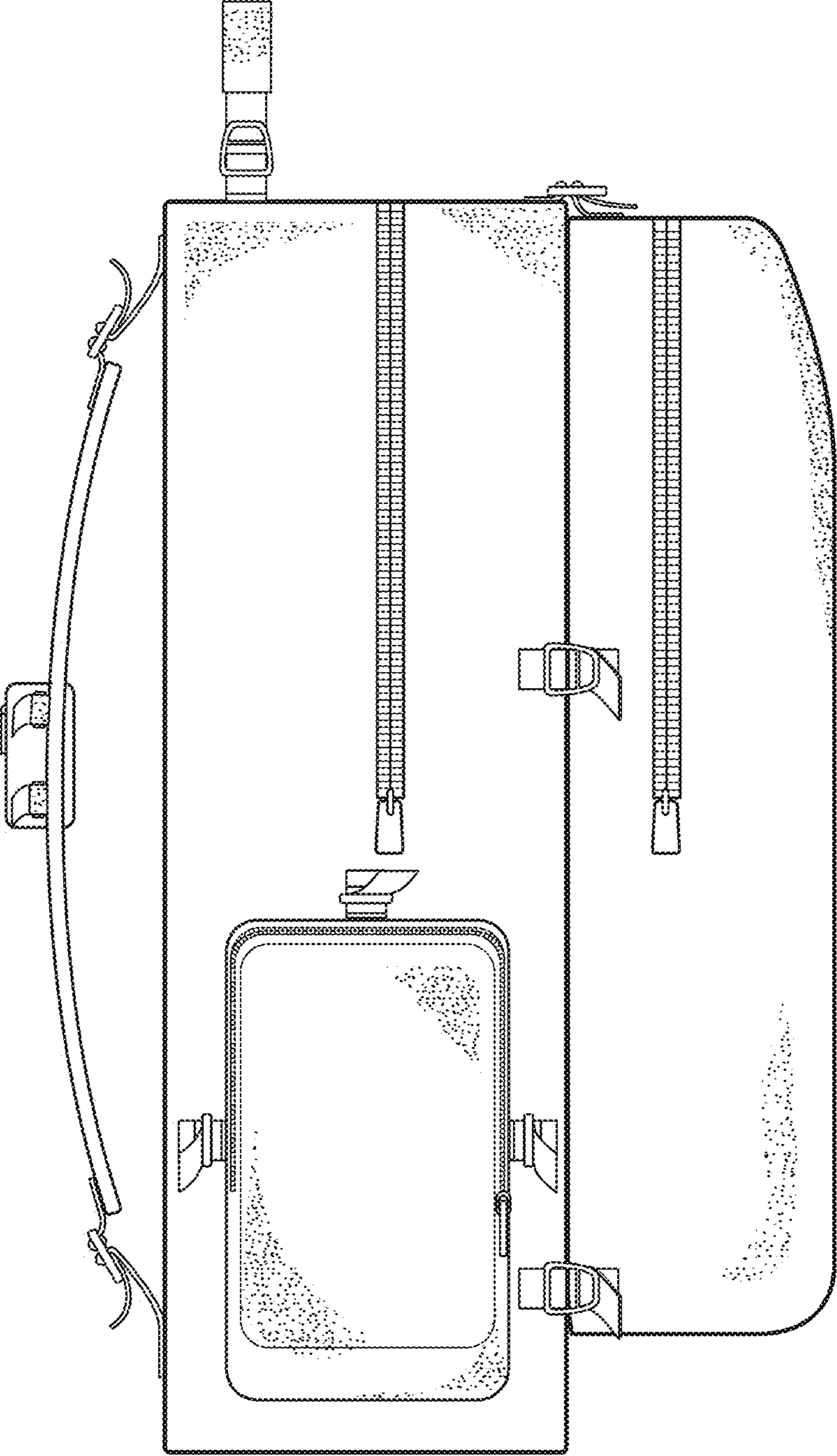


Fig. 2

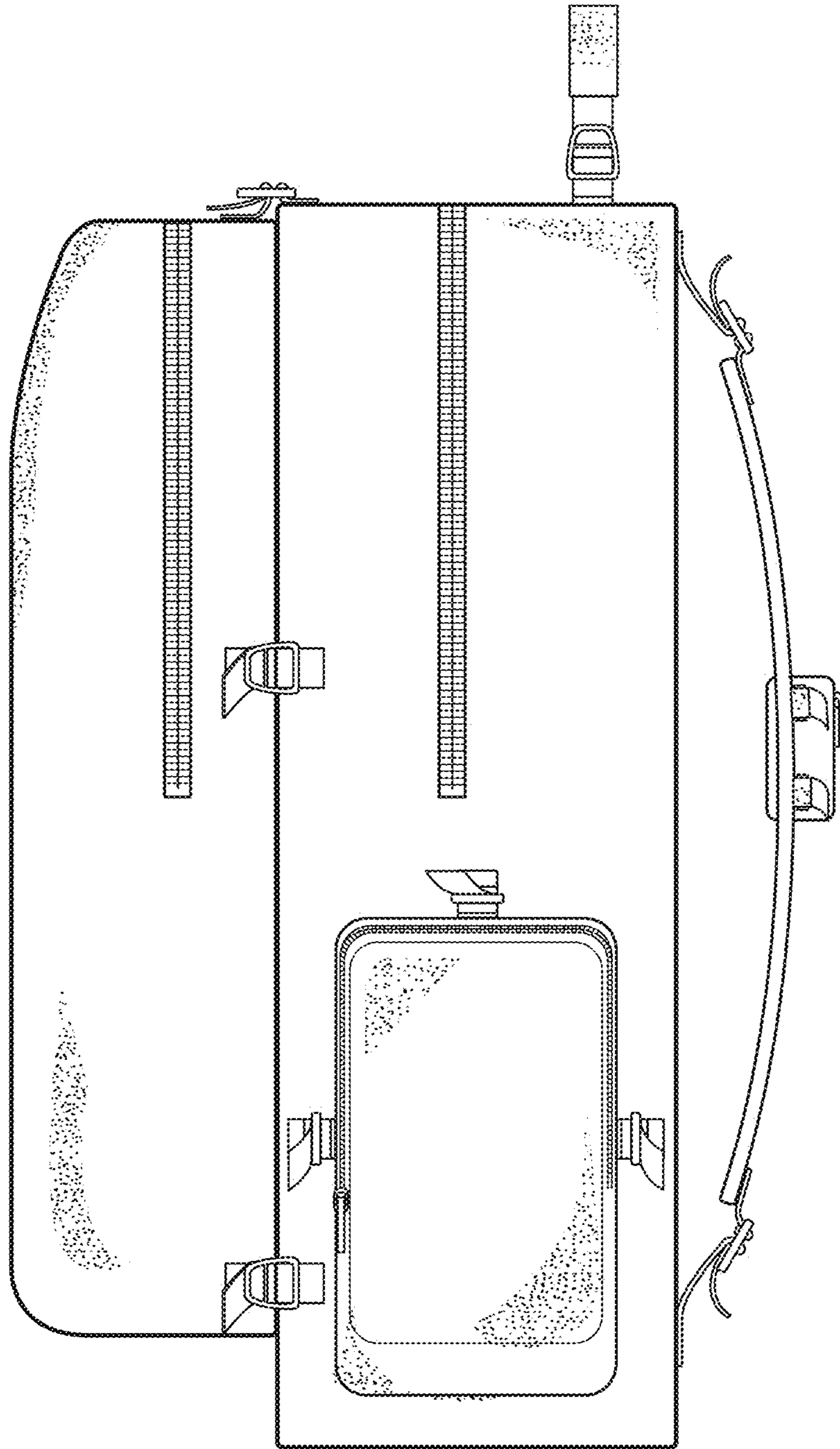


Fig. 3

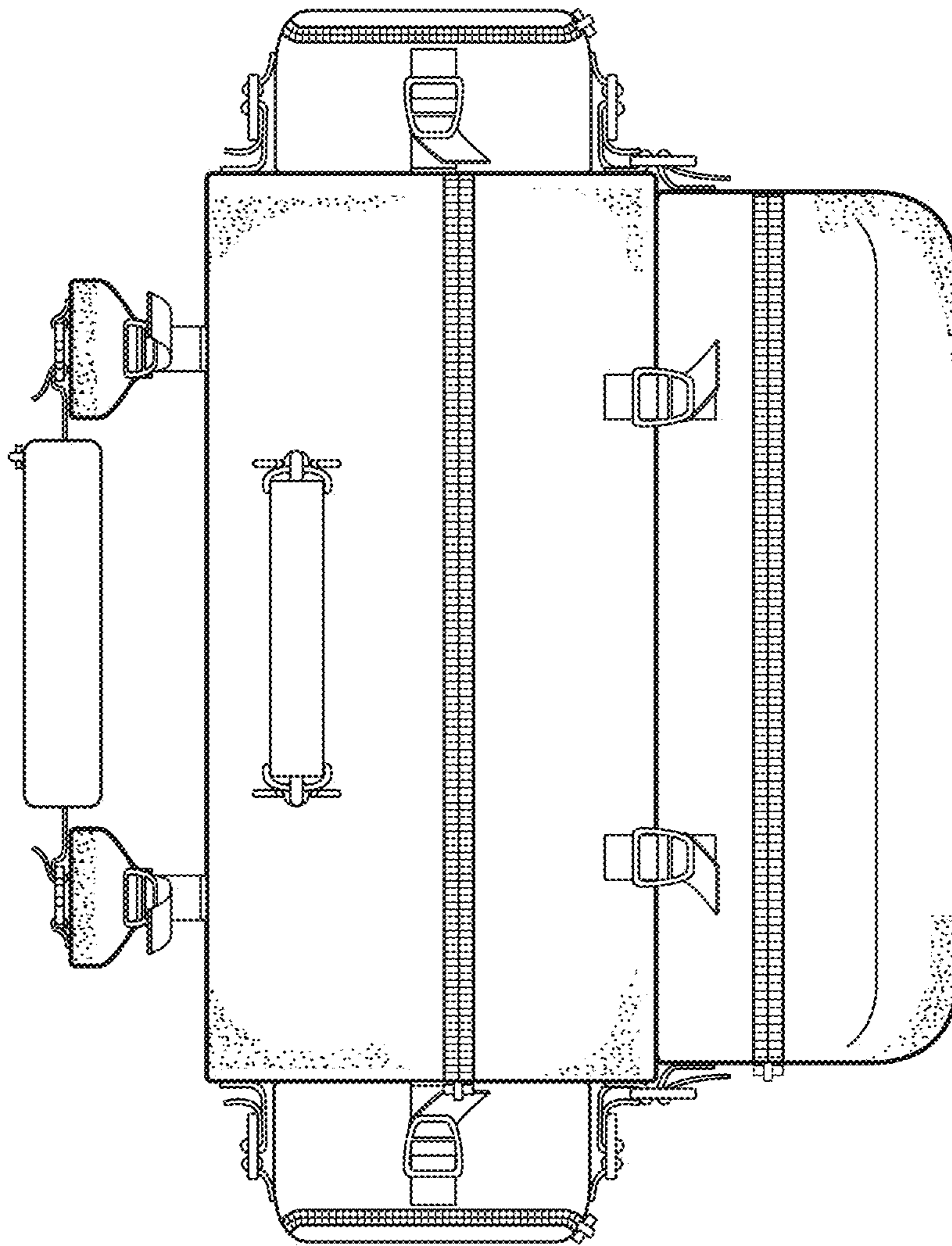


Fig. 4

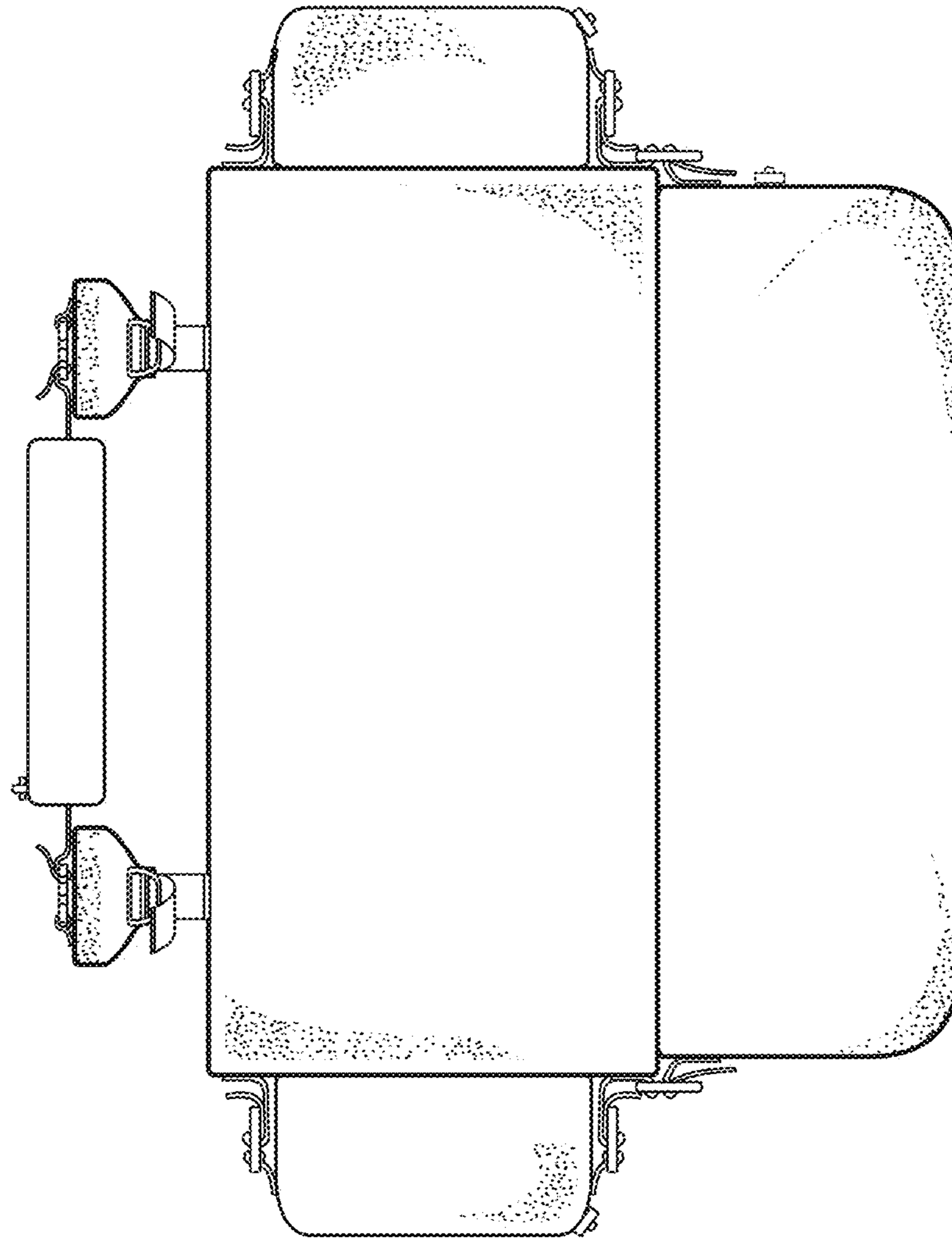


Fig. 5

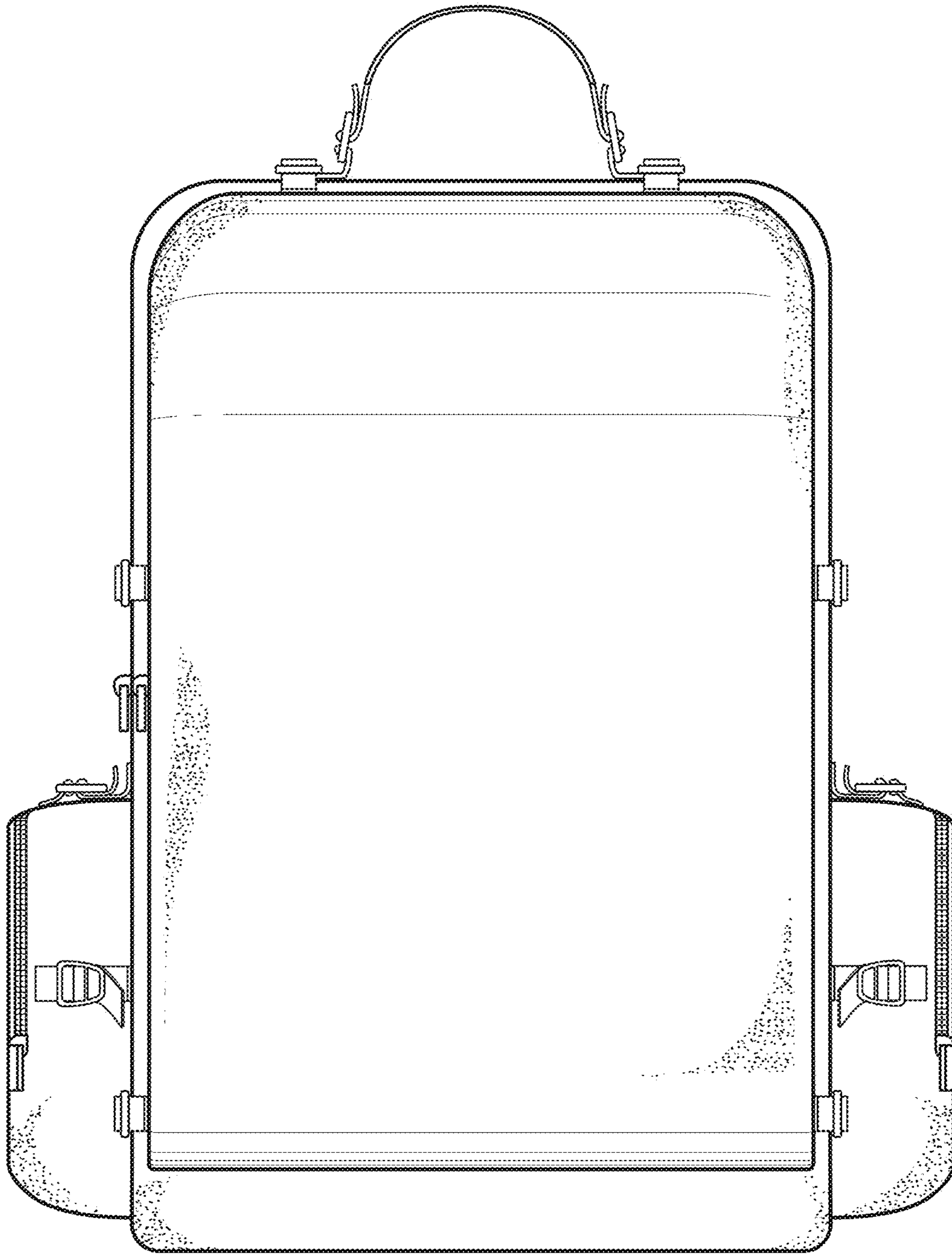


Fig. 6

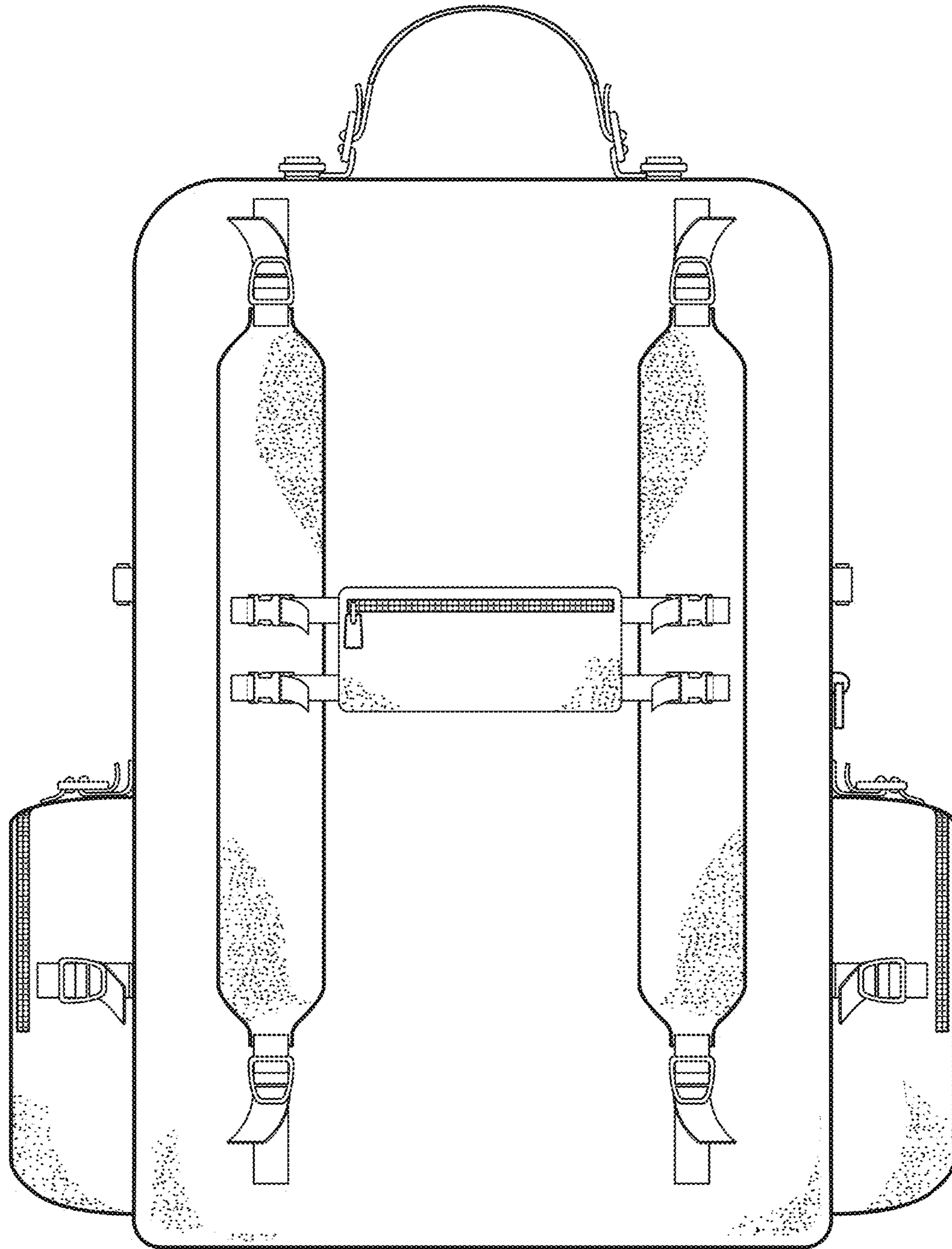


Fig. 7

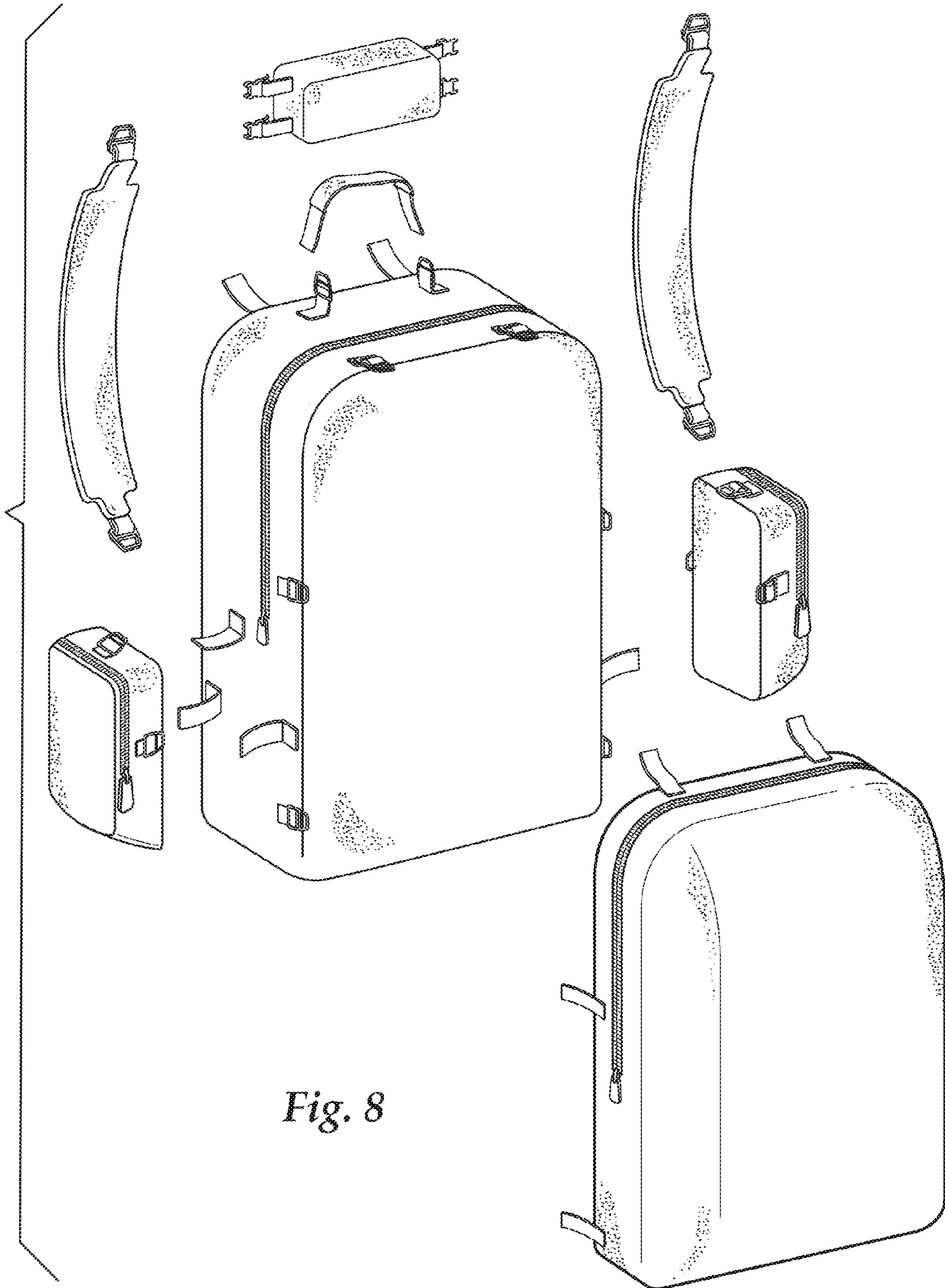


Fig. 8