



US00D946883S

(12) **United States Design Patent** (10) **Patent No.:** **US D946,883 S**
Lateef (45) **Date of Patent:** **** *Mar. 29, 2022**

(54) **STORAGE CONTAINER FOR MEDICATION**

(71) Applicant: **LockMed of Florida, Inc.**,
Jacksonville, PA (US)
(72) Inventor: **Mujahed B. Lateef**, Pittsburgh, PA
(US)
(73) Assignee: **Lockmed of Florida, Inc.**, Jacksonville,
FL (US)

D228,580 S * 10/1973 Schurman D3/281
D315,247 S * 3/1991 Lovell D3/281
D351,283 S * 10/1994 Wolff D3/205
D354,622 S * 1/1995 Lovell D3/281
D432,309 S * 10/2000 Tsai D3/305
D490,206 S 5/2004 Perella et al.
D493,936 S 8/2004 Perella et al.
D496,791 S 10/2004 Perella et al.
D500,922 S 1/2005 Perella et al.
D501,083 S * 1/2005 Perella D3/276
D503,503 S 3/2005 Perella et al.

(Continued)

(*) Notice: This patent is subject to a terminal dis-
claimer.

(**) Term: **15 Years**

(21) Appl. No.: **29/732,166**

(22) Filed: **Apr. 22, 2020**

(51) **LOC (13) Cl.** **03-01**

(52) **U.S. Cl.**
USPC **D3/203.1; D3/291**

(58) **Field of Classification Search**
USPC ... D3/201, 203.1–203.8, 206, 273–274, 276,
D3/281–282, 290–292, 294, 900–901,
D3/903, 905; D7/602, 605, 709,
D7/629–630; D8/331, 336, 338; D28/73;
D99/28, 34–35
CPC A45C 1/02; A45C 3/00; A45C 3/02; A45C
2003/007; A45C 2003/008; A45C 5/00;
A45C 5/005; A45C 5/04; A45C 11/00;
A45C 11/008; A45C 11/16; A45C
2011/007; A45C 15/00; A45C 15/04;
A45C 2200/00; A45C 2200/10; A45D
33/008; A45D 29/20; A45D 2200/00;
B25H 3/02

See application file for complete search history.

(56) **References Cited**

U.S. PATENT DOCUMENTS

D178,950 S * 10/1956 Berry D3/284
3,746,210 A * 7/1973 Evans B25H 3/02
220/633

FOREIGN PATENT DOCUMENTS

CN 301414872 * 10/2010

OTHER PUBLICATIONS

Lockmed Guardian Medium Key Lockbox, unknown first available
date, lockmed.com [online], [site visited Aug. 6, 2021], Available at
internet URL: <https://www.lockmed.com/product-p/asa-1450.htm> (Year:
2021).*

(Continued)

Primary Examiner — Jeffrey D Asch
Assistant Examiner — Caitlin A Laverty
(74) *Attorney, Agent, or Firm* — McKay Law

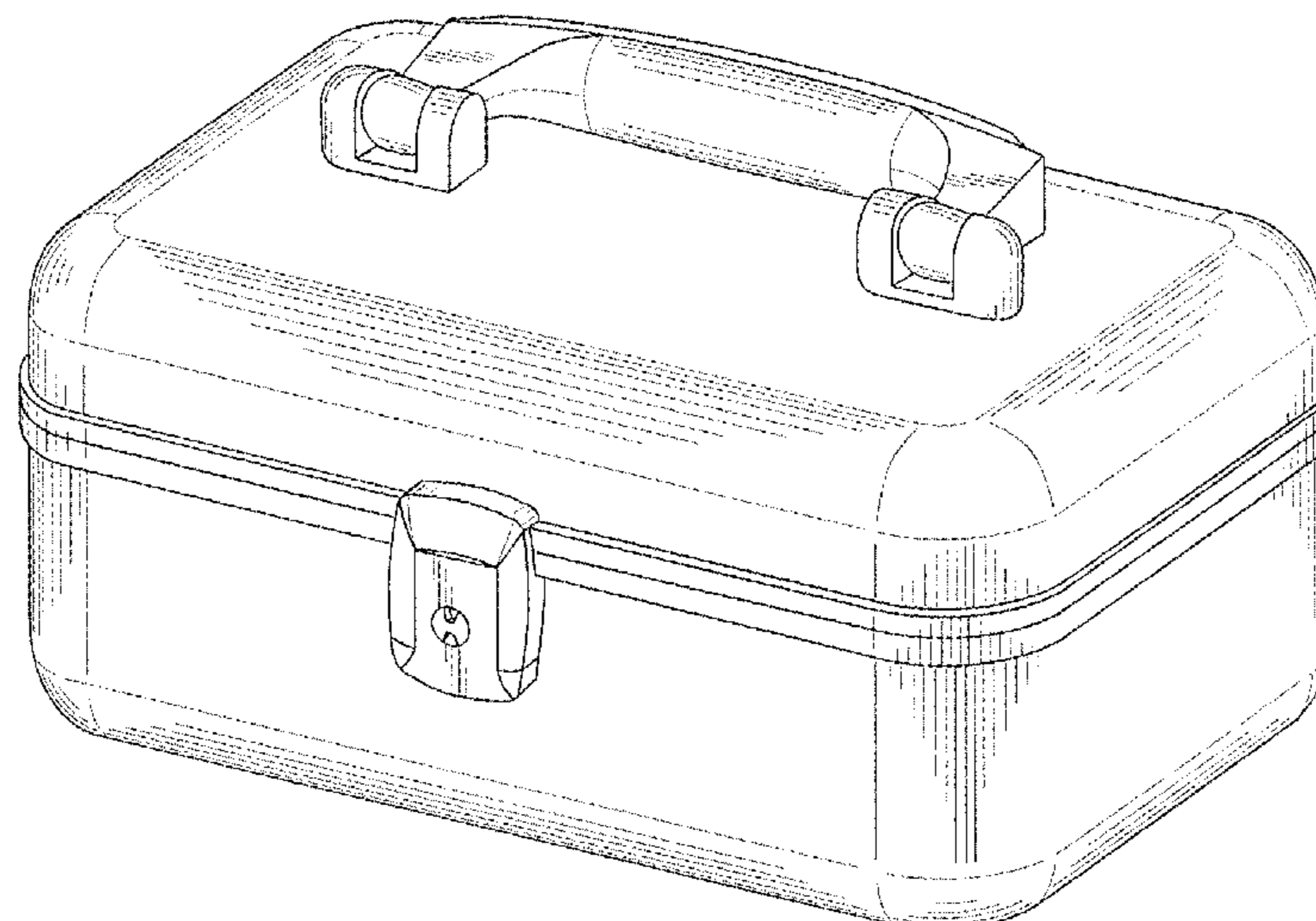
(57) **CLAIM**

The ornamental design for a storage container for medica-
tion, as shown.

DESCRIPTION

FIG. 1 is a perspective view of a storage container for
medication showing my new design;
FIG. 2 is a front elevation view thereof;
FIG. 3 is a rear elevation view thereof;
FIG. 4 is a top plan view thereof;
FIG. 5 is a bottom plan view thereof;
FIG. 6 is a right side view thereof; and,
FIG. 7 is a left side view thereof.

1 Claim, 4 Drawing Sheets



(56)

References Cited

U.S. PATENT DOCUMENTS

D504,990	S	5/2005	Perella et al.	
D509,357	S *	9/2005	Perella	D3/267
D511,035	S	10/2005	Perella et al.	
D522,746	S	6/2006	Perella et al.	
D529,287	S	10/2006	Perella et al.	
D549,447	S *	8/2007	Perella	D3/206
D657,915	S *	4/2012	Lai	D28/83
D677,555	S *	3/2013	Cenzano	D8/331
D736,519	S *	8/2015	Chui	D3/276
D774,759	S *	12/2016	Beilman	D3/284
D779,201	S *	2/2017	Beilman	D3/284
D853,113	S *	7/2019	Wang	D3/276
D853,723	S *	7/2019	Shuai	D3/291
D872,477	S *	1/2020	Perella	D3/291
D893,869	S *	8/2020	Kramer	D3/282
D894,599	S *	9/2020	Kramer	D3/282
D907,362	S *	1/2021	Perella	D3/294
D927,851	S *	8/2021	Chasseriaux	D3/294

OTHER PUBLICATIONS

Reme Makeup Train Case Cosmetic Organizer . . . , available from Oct. 8, 2019 based on customer photo review, amazon.com [online], [site visited Aug. 6, 2021], Available at internet URL: <https://www.amazon.com/dp/B083P1R25L> (Year: 2019).*

Hewei Durable Empty Medicine Box . . . , first available Jul. 2, 2019, amazon.com [online], [site visited Aug. 6, 2021], Available at internet URL: <https://www.amazon.com/dp/B07TS8K6XN> (Year: 2019).*

* cited by examiner

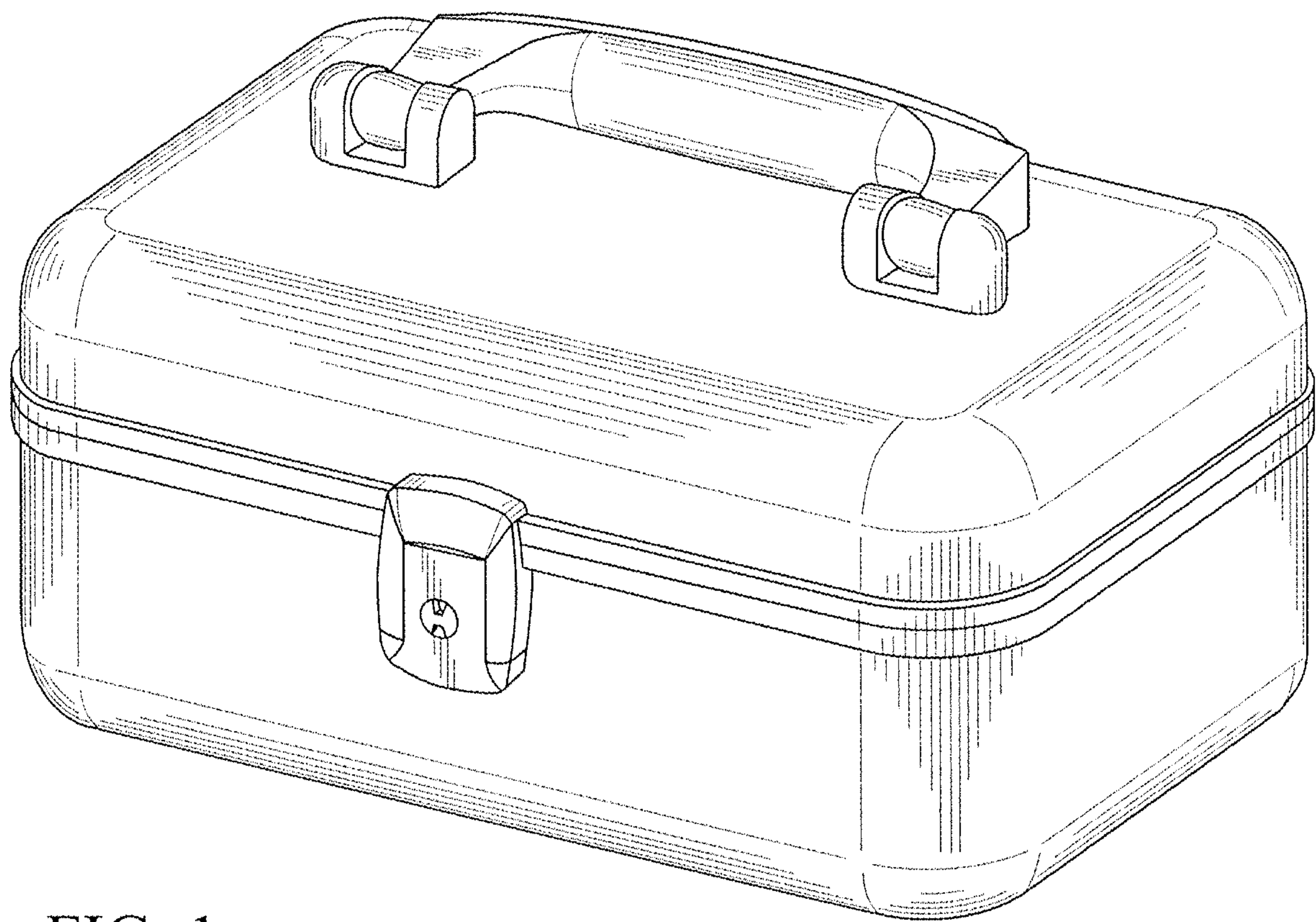


FIG. 1

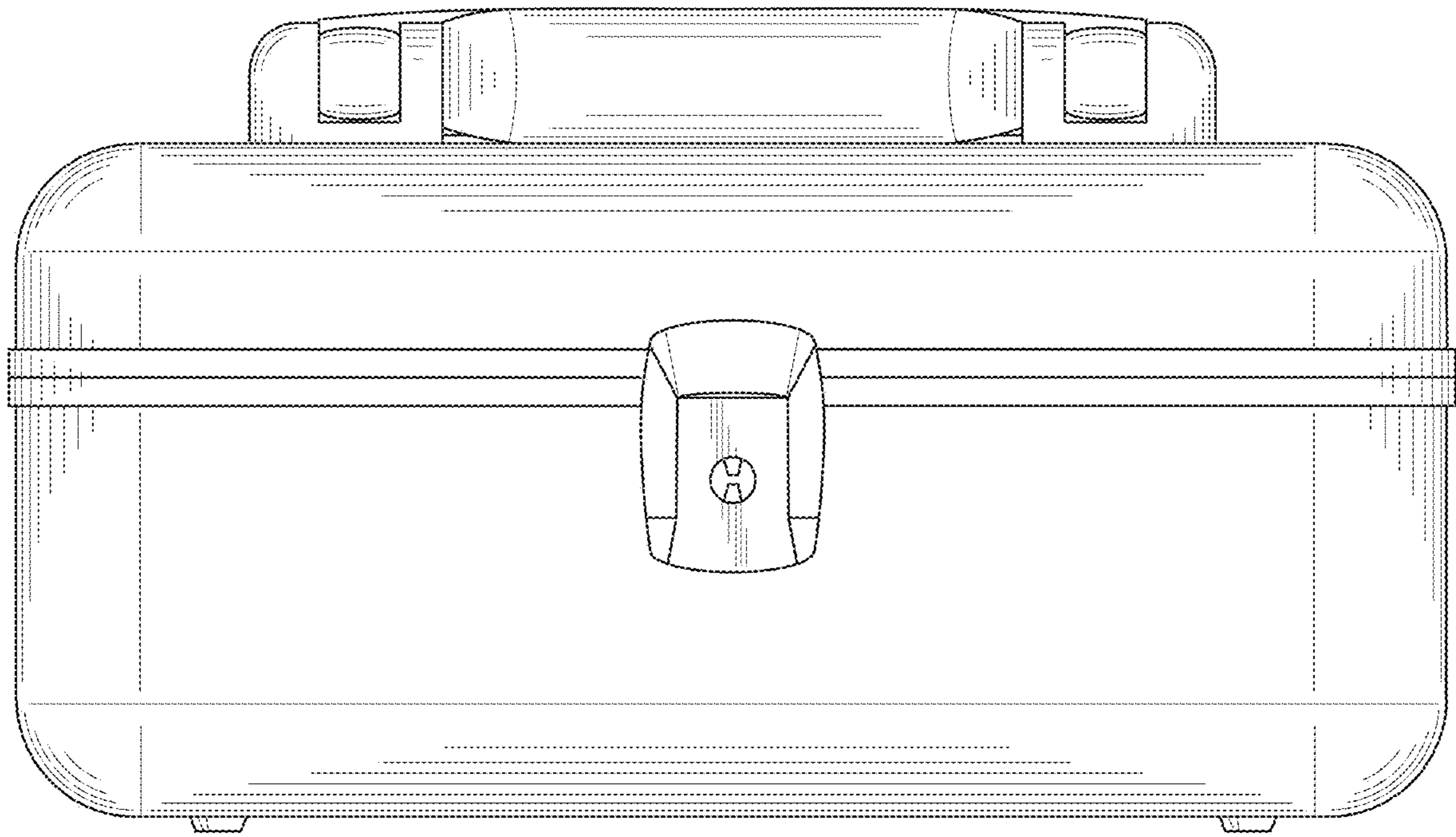


FIG. 2

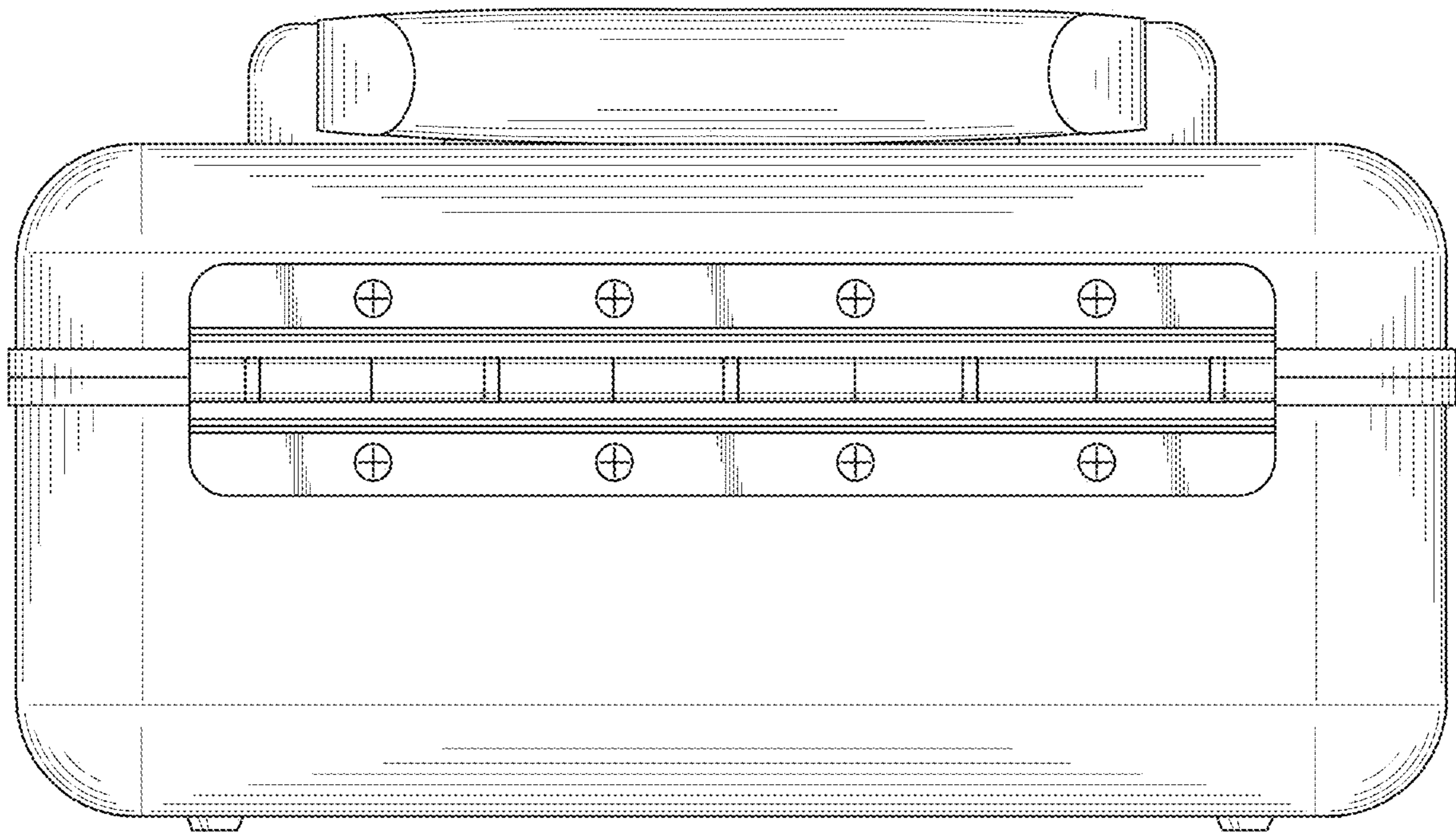


FIG. 3

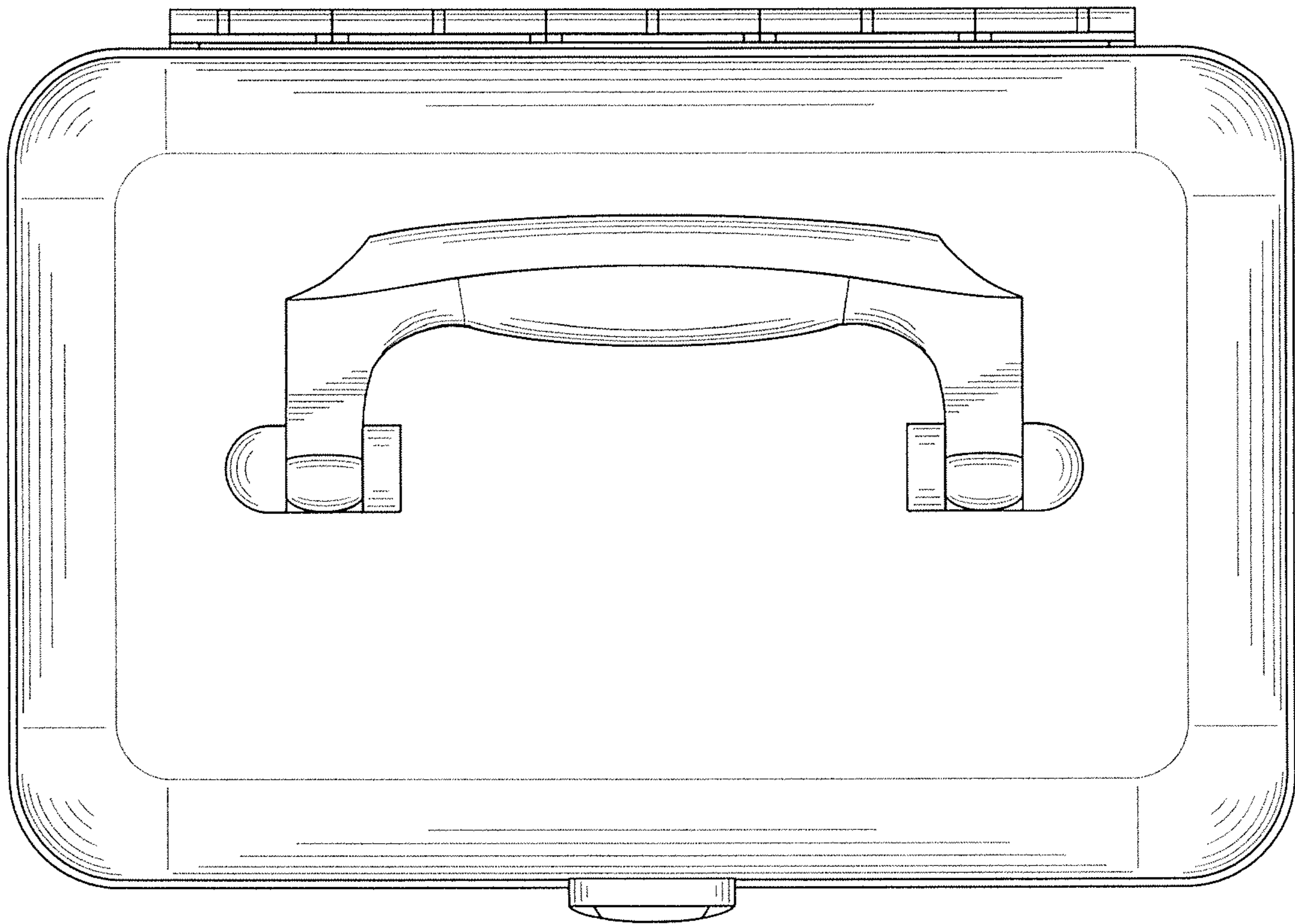


FIG. 4

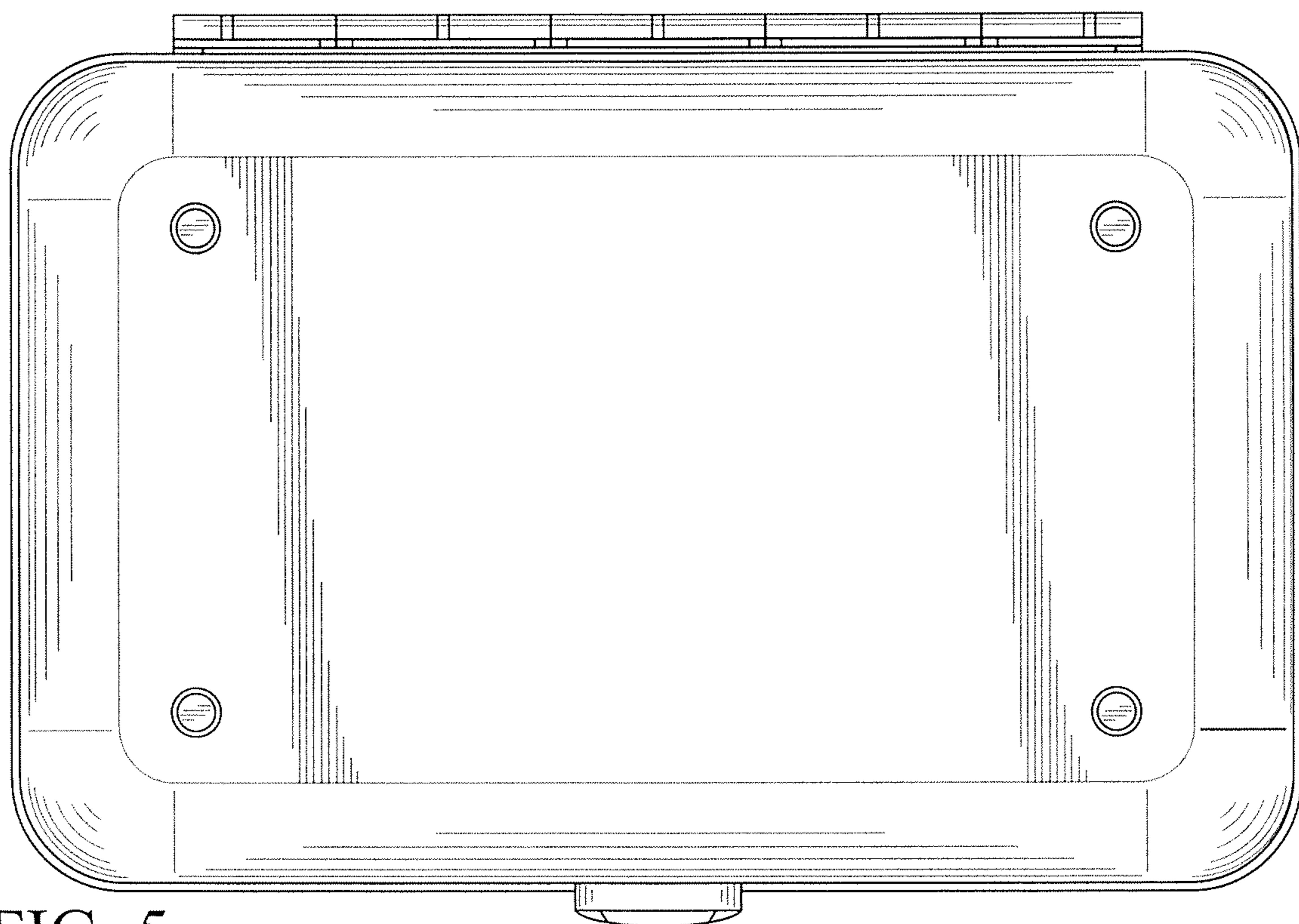


FIG. 5

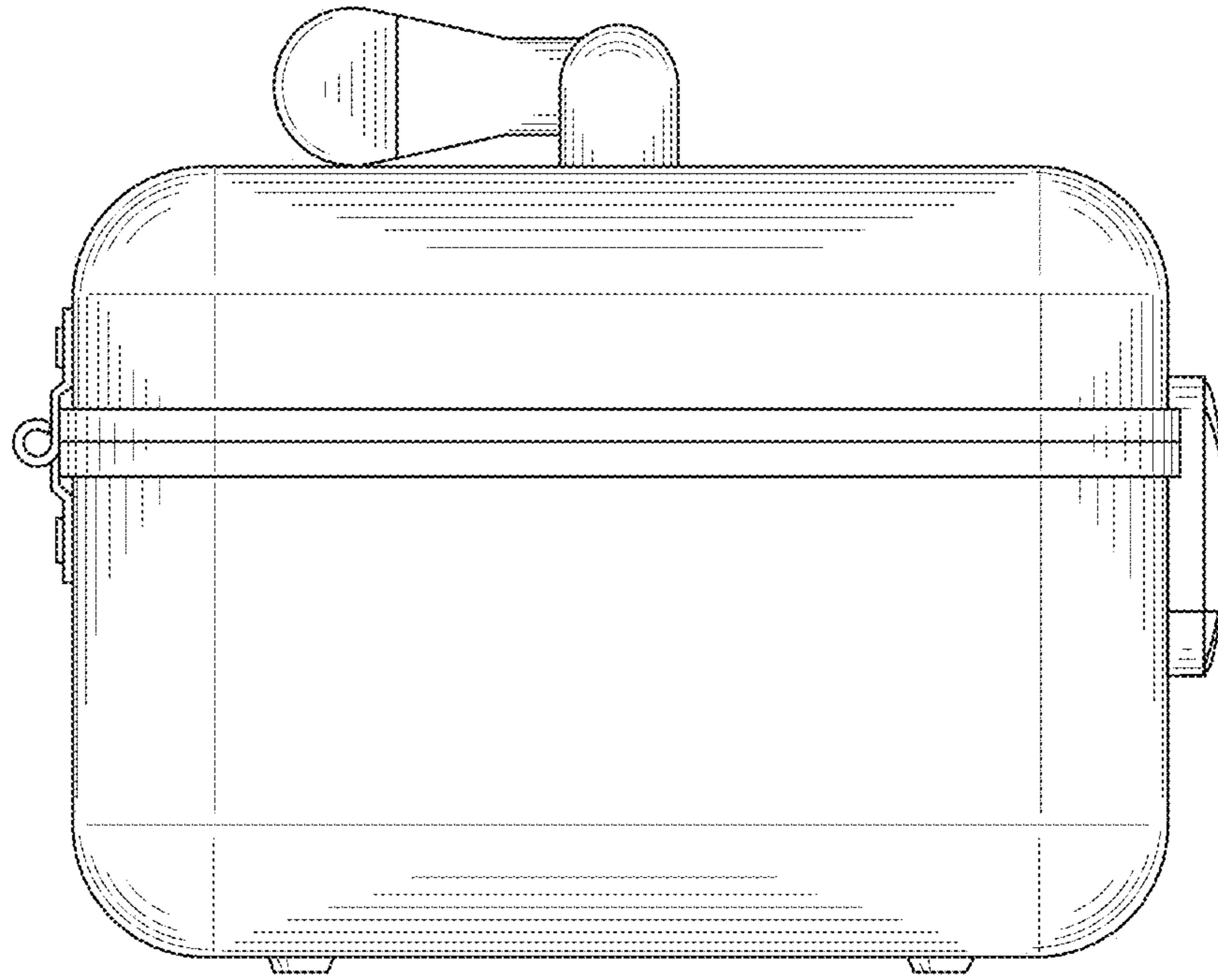


FIG. 6

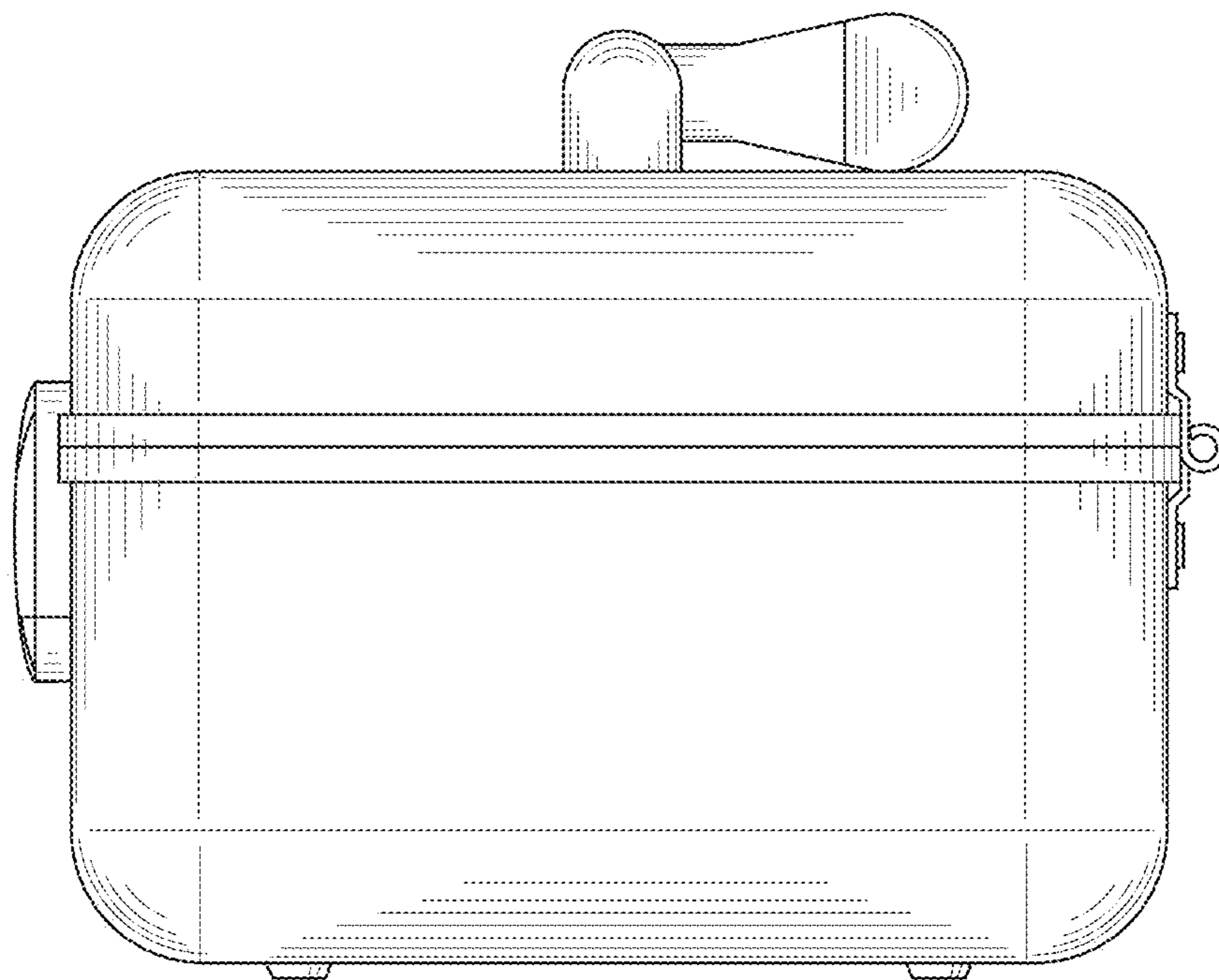


FIG. 7