



US00D946882S

(12) **United States Design Patent**
Yang

(10) **Patent No.:** **US D946,882 S**

(45) **Date of Patent:** **** Mar. 29, 2022**

(54) **BOW MAKER**

(71) Applicant: **Weiye Yang, Yiwu (CN)**

(72) Inventor: **Weiye Yang, Yiwu (CN)**

(**) Term: **15 Years**

(21) Appl. No.: **29/755,488**

(22) Filed: **Oct. 21, 2020**

(51) **LOC (13) Cl.** **02-07**

(52) **U.S. Cl.**
USPC **D3/26**

(58) **Field of Classification Search**
USPC D3/18, 20, 23, 24, 25, 26; D6/681,
D6/681.1, 682, 682.5, 682.6; D32/58
CPC D04D 7/00; D04D 7/10; D04D 11/00
See application file for complete search history.

(56) **References Cited**

U.S. PATENT DOCUMENTS

D142,530 S *	10/1945	Rosenblatt et al.	D04D 7/10 D3/25
2,666,249 A *	1/1954	Ruiz	A41G 1/00 28/150
2,959,825 A *	11/1960	Gould	D01G 15/62 19/157
D243,313 S *	2/1977	Varnado	D32/58
4,629,100 A *	12/1986	Owens	D04D 7/10 223/46
D291,841 S *	9/1987	Owens	D3/26
D337,430 S *	7/1993	Gaither	D3/23
D351,745 S *	10/1994	Seifert	D6/682.6
5,356,056 A *	10/1994	Teuten	D04D 7/10 223/44
5,411,188 A *	5/1995	Teuten	D04D 7/10 223/44
D364,732 S *	12/1995	Hyché	D3/26
D364,733 S *	12/1995	Cavender	D3/26
D371,233 S *	7/1996	Kelly	D3/25
D371,728 S *	7/1996	Krueger	D32/58

D377,552 S *	1/1997	Papadea	D32/58
5,617,979 A *	4/1997	Cavender	D04D 7/10 223/44
D389,998 S *	2/1998	Cavender	D3/26
D393,147 S *	4/1998	Renshaw	D3/26
5,810,214 A *	9/1998	Hecht	D04D 7/10 223/46
6,131,778 A *	10/2000	Etzion	D04D 7/10 223/46
D460,295 S *	7/2002	Fissell	D32/58
D462,542 S *	9/2002	Lee	D6/407
D465,891 S *	11/2002	Brown	D32/55

(Continued)

OTHER PUBLICATIONS

Gacuyi Bow Maker, amazon.com, <https://www.amazon.com/Multipurpose-Bowdabra-Decoration-Halloween-Christmas/dp/B08JM1R1BL> (Year: 2020).*

(Continued)

Primary Examiner — Steven J Czyn

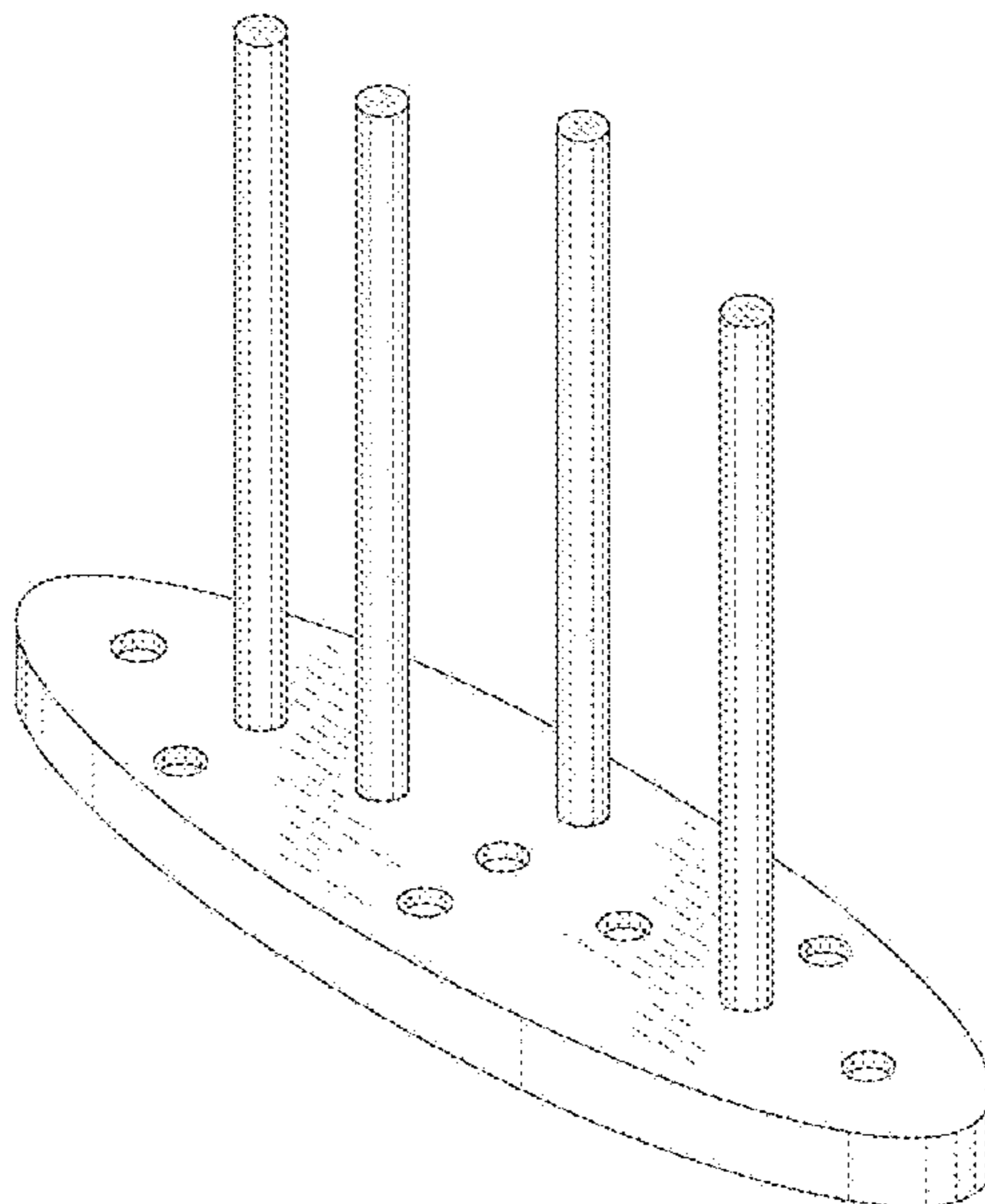
(57) **CLAIM**

The ornamental design for a bow maker, as shown and described.

DESCRIPTION

FIG. 1 is a perspective view of a bow maker showing my new design;
FIG. 2 is a front elevational view thereof;
FIG. 3 is a rear elevational view thereof;
FIG. 4 is a left side elevational view thereof;
FIG. 5 is a right side elevational view thereof;
FIG. 6 is a top plan view thereof;
FIG. 7 is a bottom plan view thereof;
FIG. 8 is a perspective view of the bow maker where the bow maker is in a configuration of use; and,
FIG. 9 is an exploded perspective view of the bow maker.

1 Claim, 9 Drawing Sheets



(56)

References Cited

U.S. PATENT DOCUMENTS

6,691,903	B2 *	2/2004	West, Sr.	A41G 1/02 223/46
D488,603	S *	4/2004	Bardenhagen-Shuster	D32/58
D499,881	S *	12/2004	Williams	D3/20
D538,066	S *	3/2007	Wagner	D6/681.1
D544,670	S *	6/2007	Sorvill	D32/58
7,721,923	B2 *	5/2010	Holt	D06C 3/08 223/1
8,317,066	B1 *	11/2012	Meyer	D04D 7/10 223/46
8,430,282	B2 *	4/2013	Sellers	D04D 7/10 223/46
D682,537	S *	5/2013	Maligno	D3/26
D762,403	S *	8/2016	Williams	D6/681.1
D785,925	S *	5/2017	Gholston	D04D 7/10 D3/24
D820,620	S *	6/2018	McLoud	D6/681.1
D826,544	S *	8/2018	Yip	D01G 15/62 D3/18
D841,310	S *	2/2019	Yip	A41G 1/00 D3/18

OTHER PUBLICATIONS

Sacatr Bow Maker, amazon.com, https://www.amazon.com/dp/B08R37G1R9/ref=sspa_dk_detail_1?psc=1&pd_rd_i=B08R37G1R9&pd_rd_w=XfyCJ&pf_rd_p=887084a2-5c34-4113-a4f8-b7947847c308&pd_rd_wg=llsNq&pf_rd_r=MB4DSJCCV17R2NHHST8N&pd_rd_r=4c7f01e0-c972-4f56-b7ce-f1b7161ed118&spLa=ZW5jcnlwdGVkUXVhbGlmaWVyPUEyMVROVDRUWURaSTIzJmVuY3J5cHRIZEIkPUEwMDk0NDQxMIVGWExVSEtQVINITSZlbnNyeXB0ZWZRBZEIkPUEwODk3MzczMIAxMUdCTFRaVUkwRiZ3aWRnZXROYW1IPXNwX2RldGFpbCZlY3Rpb249Y2xpY2tSZWRpcmVjdCZkb05vdExvZ0NsaWNrPXRydWU= (Year: 2021).*

https://www.amazon.com/Wreaths-Multipurpose-Creating-Christmas-Holiday/dp/B08MDWKF1P/ref=pd_di_sccai_4/141-0917367-9493832?pd_rd_w=TO7uZ&pf_rd_p=c9443270-b914-4430-a90b-72e3e7e784e0&pf_rd_r=92KQEbn4FR13DQZ271XC&pd_rd_r=6366935e-83be-4782-81c4-86deee6a85f9&pd_rd_wg=t54dH&pd_rd_i=B08MDWKF1P&psc=1 (Year: 2021).*

* cited by examiner

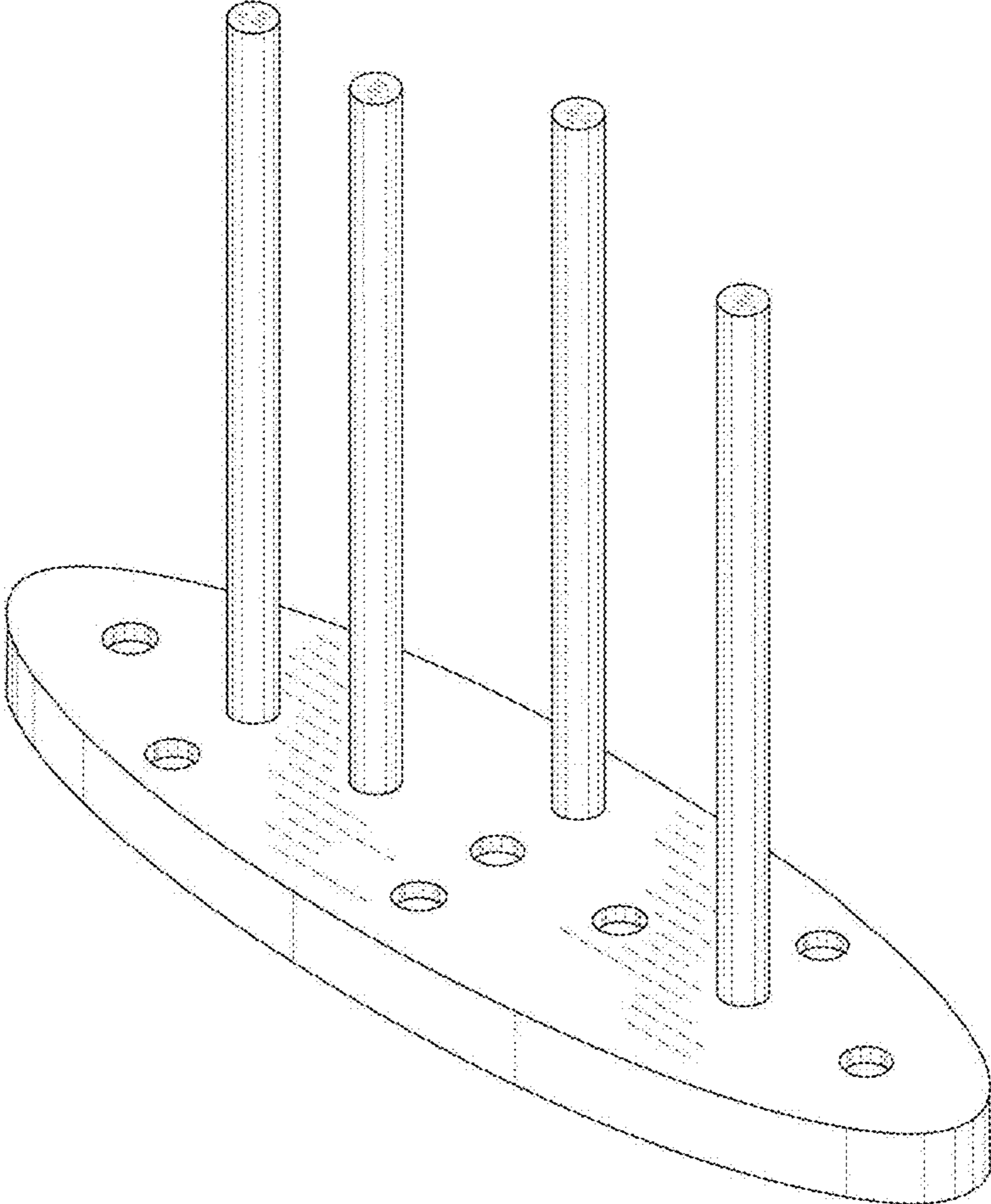


FIG.1

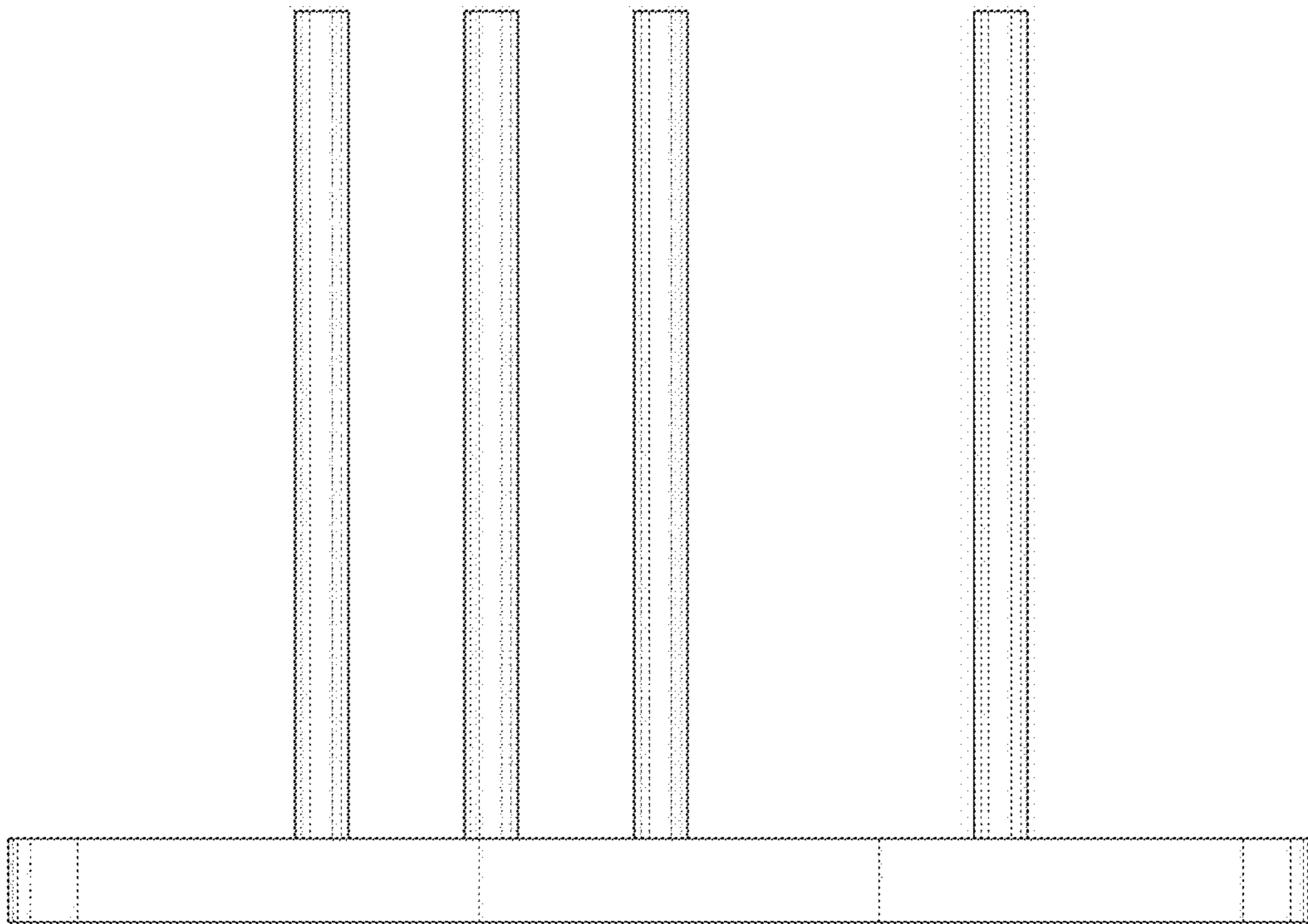


FIG.2

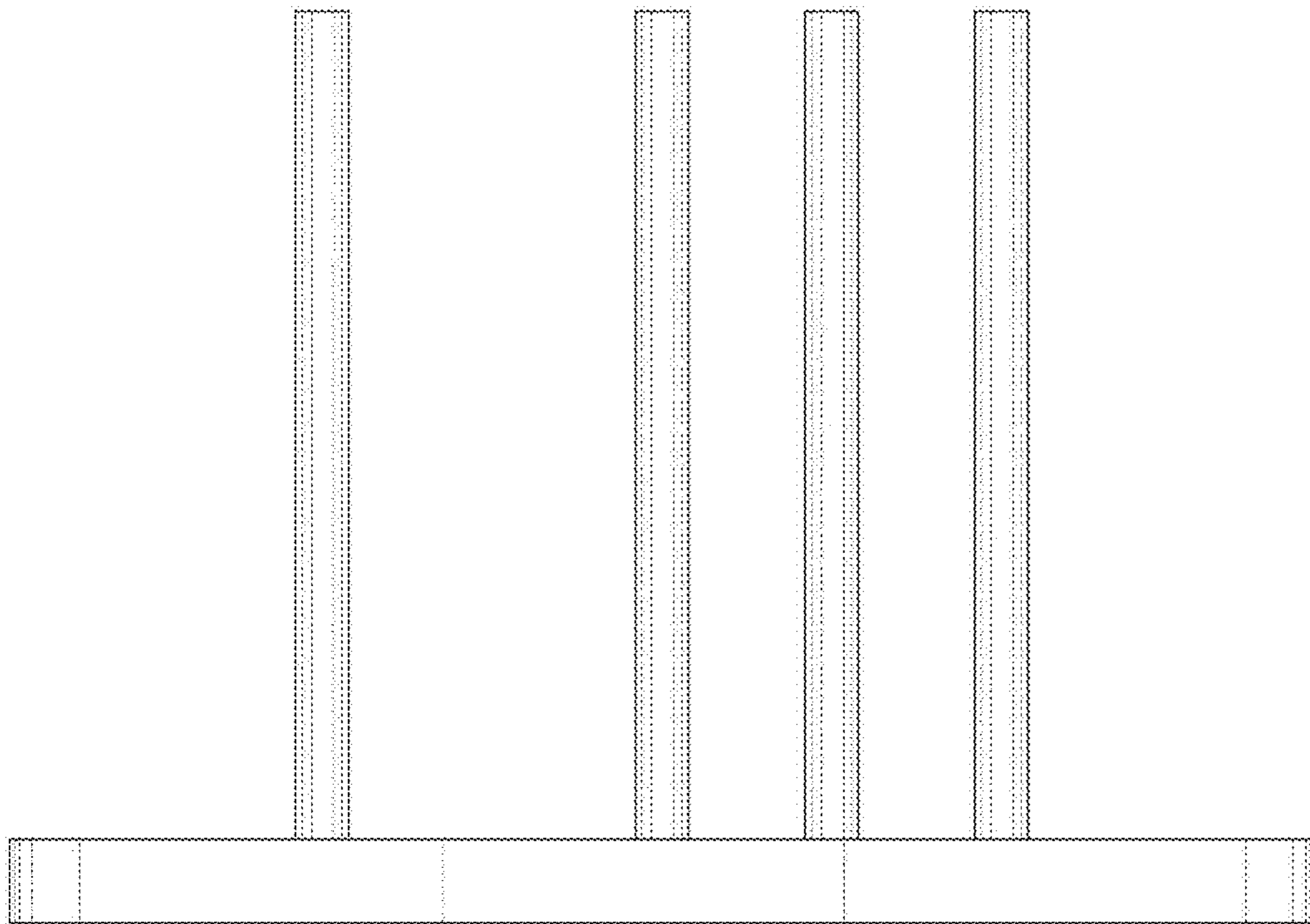


FIG.3

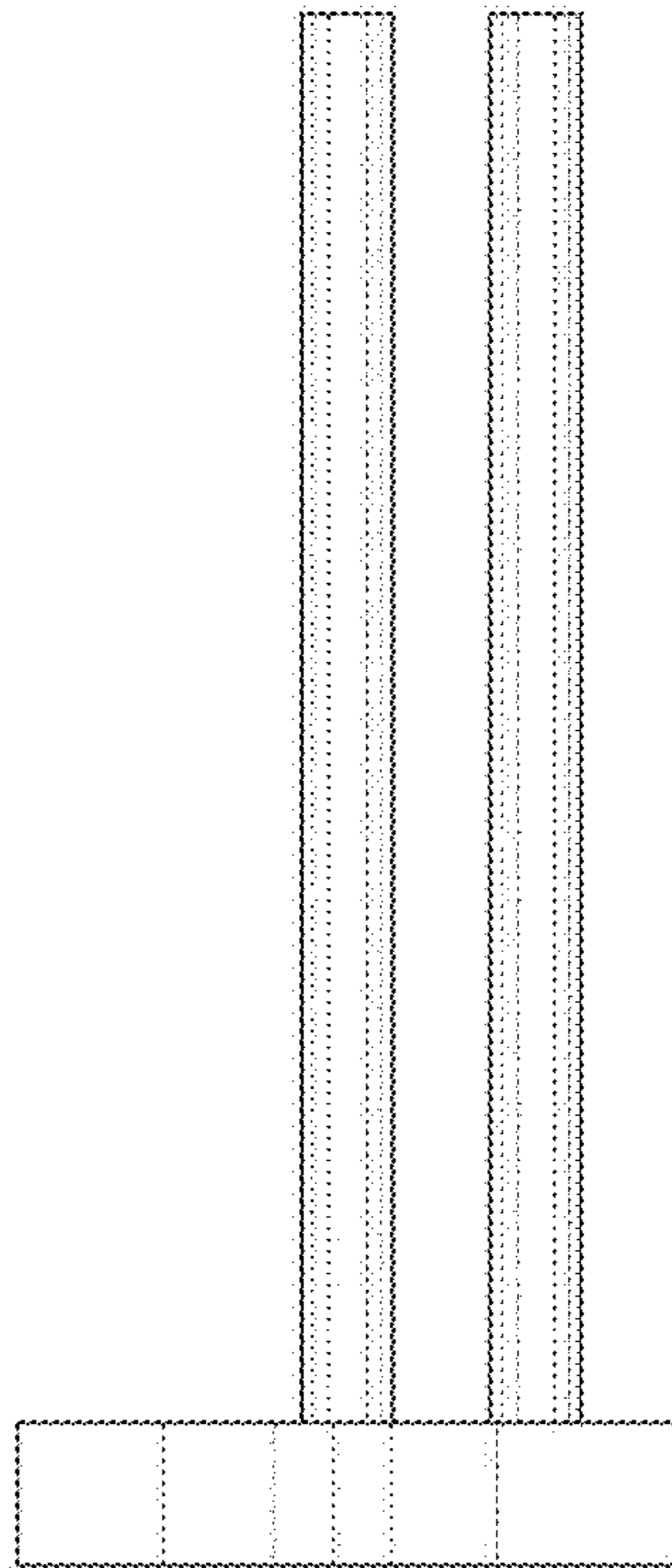


FIG.4

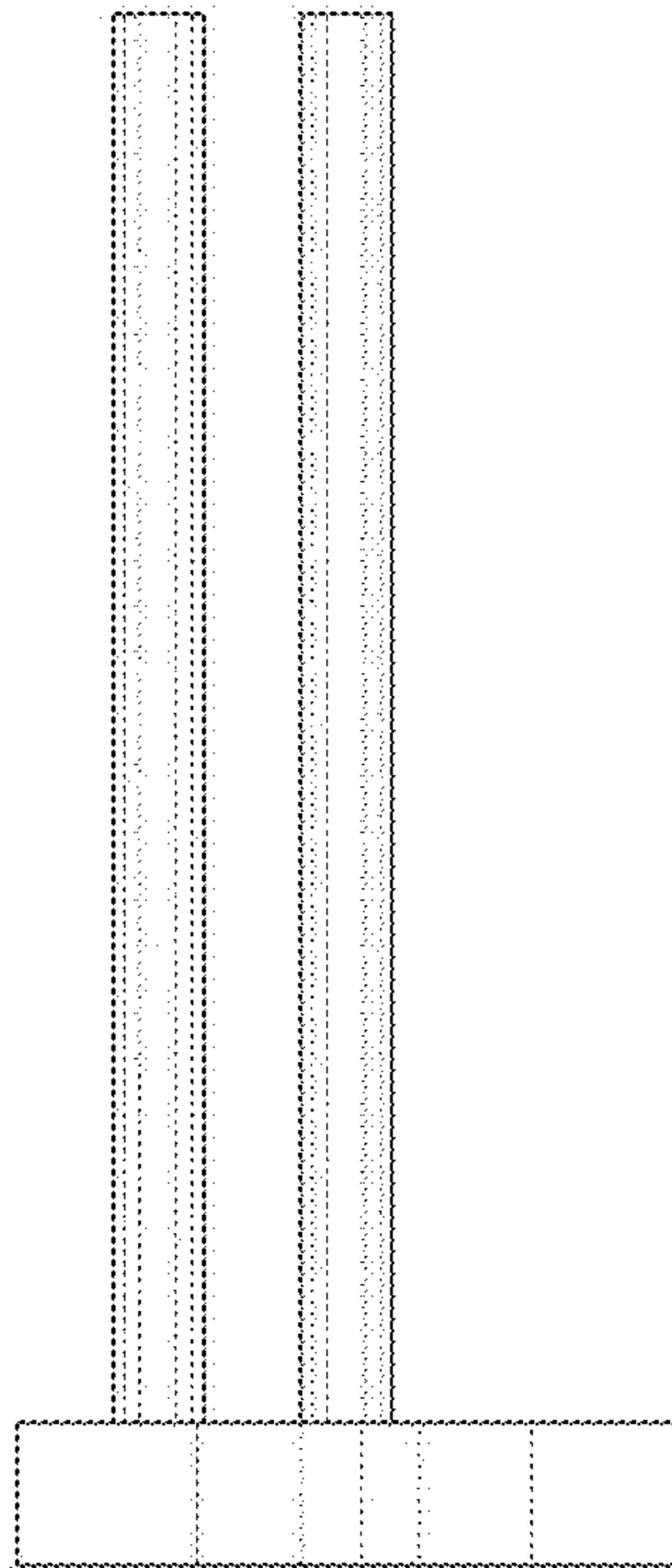


FIG.5

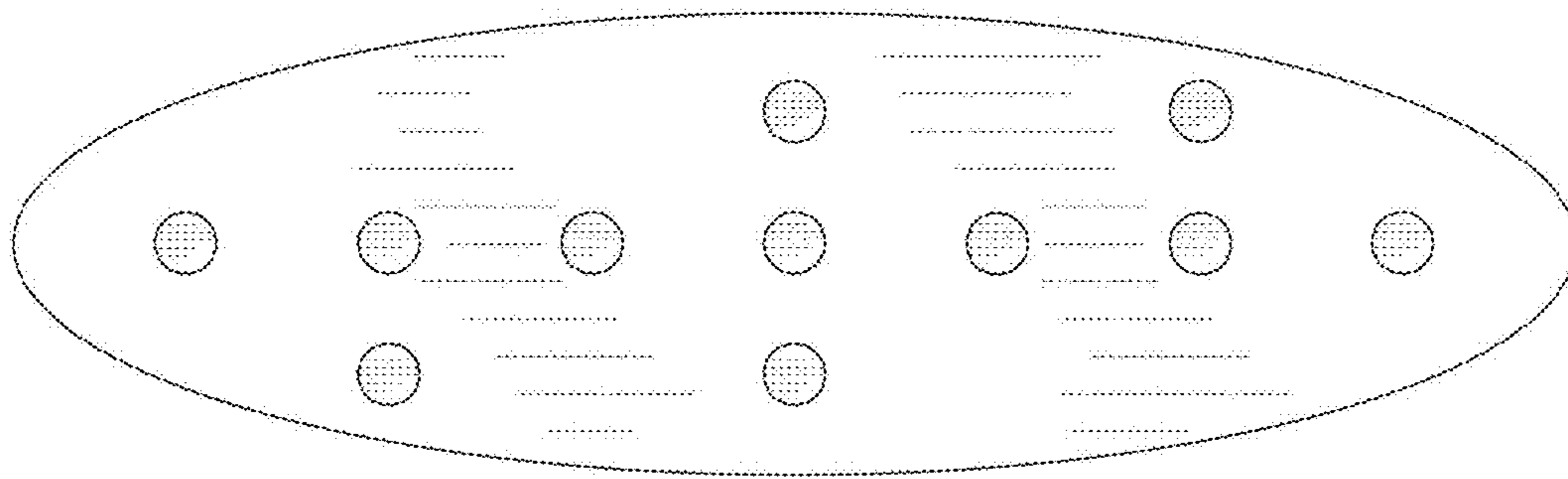


FIG.6



FIG.7

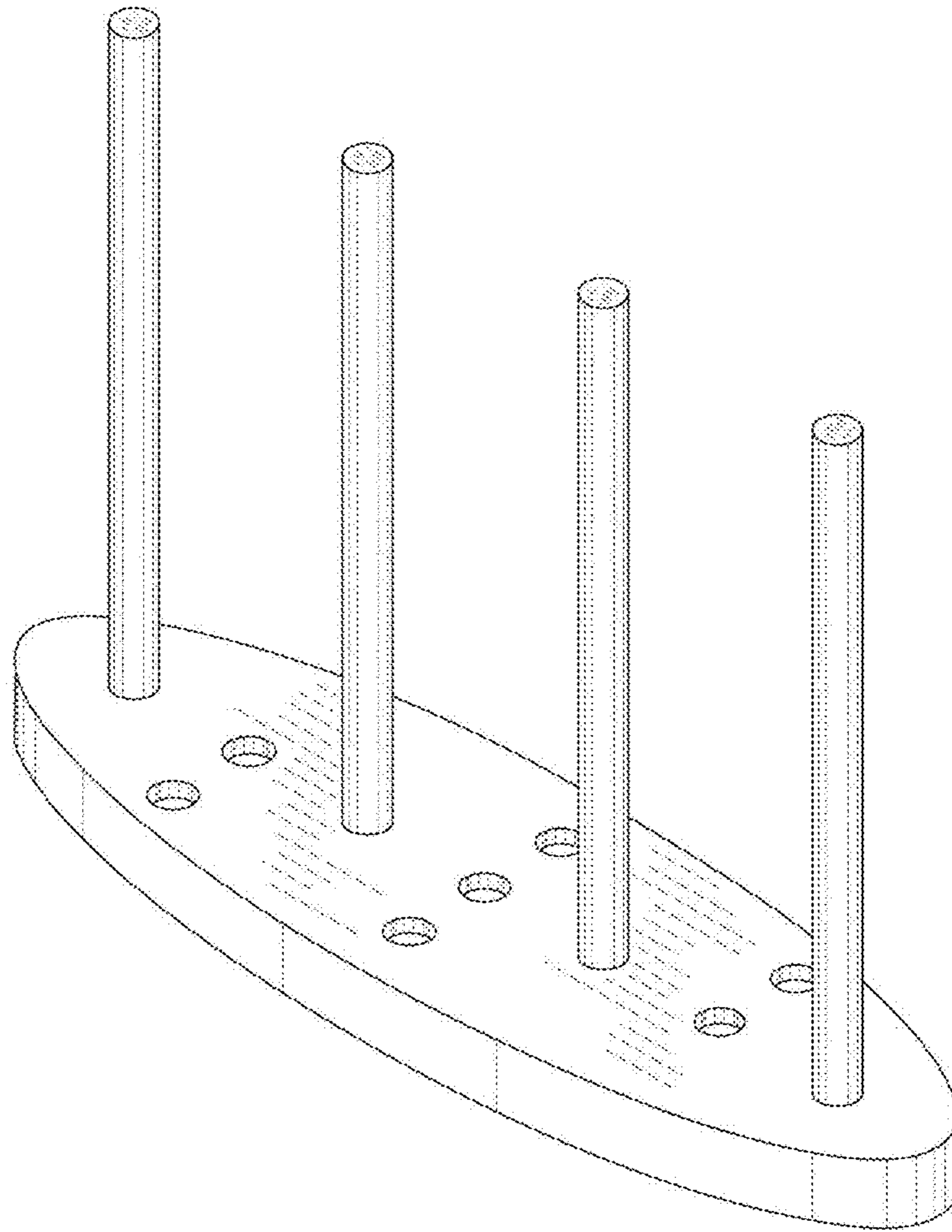


FIG.8

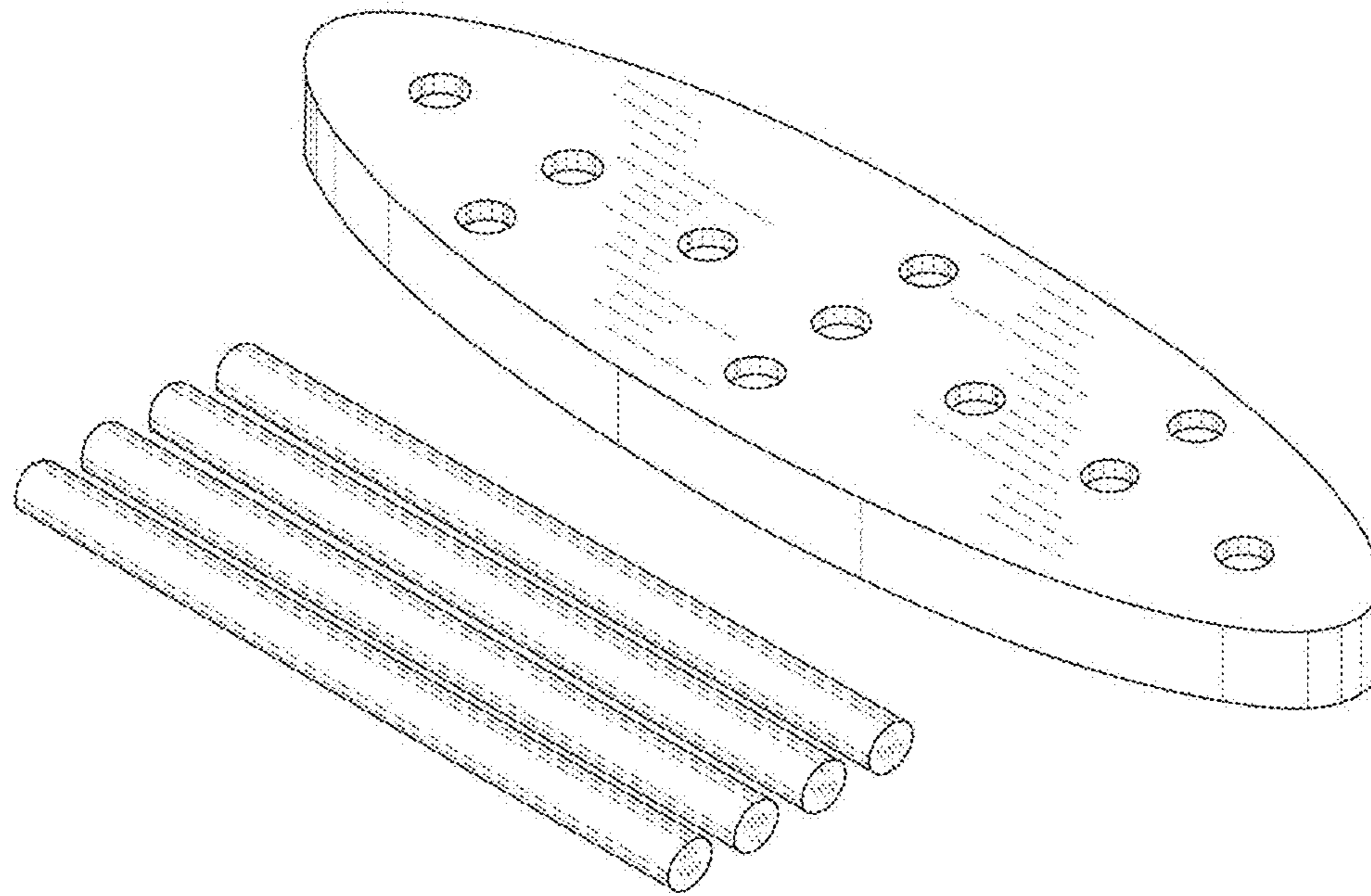


FIG.9