



US00D946881S

(12) **United States Design Patent**
Lin

(10) **Patent No.:** **US D946,881 S**
(45) **Date of Patent:** **** Mar. 29, 2022**

(54) **HANDLE FOR UMBRELLAS**

D520,849 S * 5/2006 Mentasti D8/303
D544,777 S * 6/2007 Yeh D8/303
D551,054 S * 9/2007 Eijvinsoon D8/303
D565,384 S * 4/2008 Chen D8/303

(71) Applicant: **Deping Lin**, Fujian (CN)

(Continued)

(72) Inventor: **Deping Lin**, Fujian (CN)

(**) Term: **15 Years**

FOREIGN PATENT DOCUMENTS

(21) Appl. No.: **29/736,489**

CN 305817393 * 6/2020
CN 306096318 * 10/2020
CN 306135600 * 10/2020

(22) Filed: **Jun. 1, 2020**

OTHER PUBLICATIONS

(30) **Foreign Application Priority Data**

Dec. 6, 2019 (CN) 201930680564.8

Schwinn Ergonomic Bicycle Grip, first available Jan. 28, 2020, amazon.com [online], [site visited Jul. 27, 2021], Available at internet URL: https://www.amazon.com/-/es/dp/B0030RS68S/ref=twister_B0849Z94P3?_encoding=UTF8&th=1 (Year: 2020).*

(51) **LOC (13) Cl.** **03-03**

(Continued)

(52) **U.S. Cl.**
USPC **D3/12**

(58) **Field of Classification Search**
USPC D3/5-17; D8/303, 83, 107;
D22/137-142; D4/138
CPC A45B 3/02; A45B 3/04; A45B 9/02; A45B
11/00; A45B 15/00; A45B 17/00; A45B
19/00; A45B 19/04; A45B 19/08; A45B
19/10; A45B 21/00; A45B 2200/1081;
A45B 23/00; A45B 2023/0012; A45B
2023/005; A45B 2023/0037; A45B
2023/0043; A45B 2023/0056; A45B
2023/0068; A45B 2023/0075; A45B
25/00; A45B 25/02; A45B 25/06; A45B
25/08; A45B 25/10; A45B 25/14; A45B
25/18; A45B 25/20; A45B 25/22; A45B
25/143; A45B 2025/003

Primary Examiner — Jeffrey D Asch
Assistant Examiner — Caitlin A Laverty

See application file for complete search history.

(57) **CLAIM**

The ornamental design for a handle for umbrellas, as shown and described.

(56) **References Cited**

DESCRIPTION

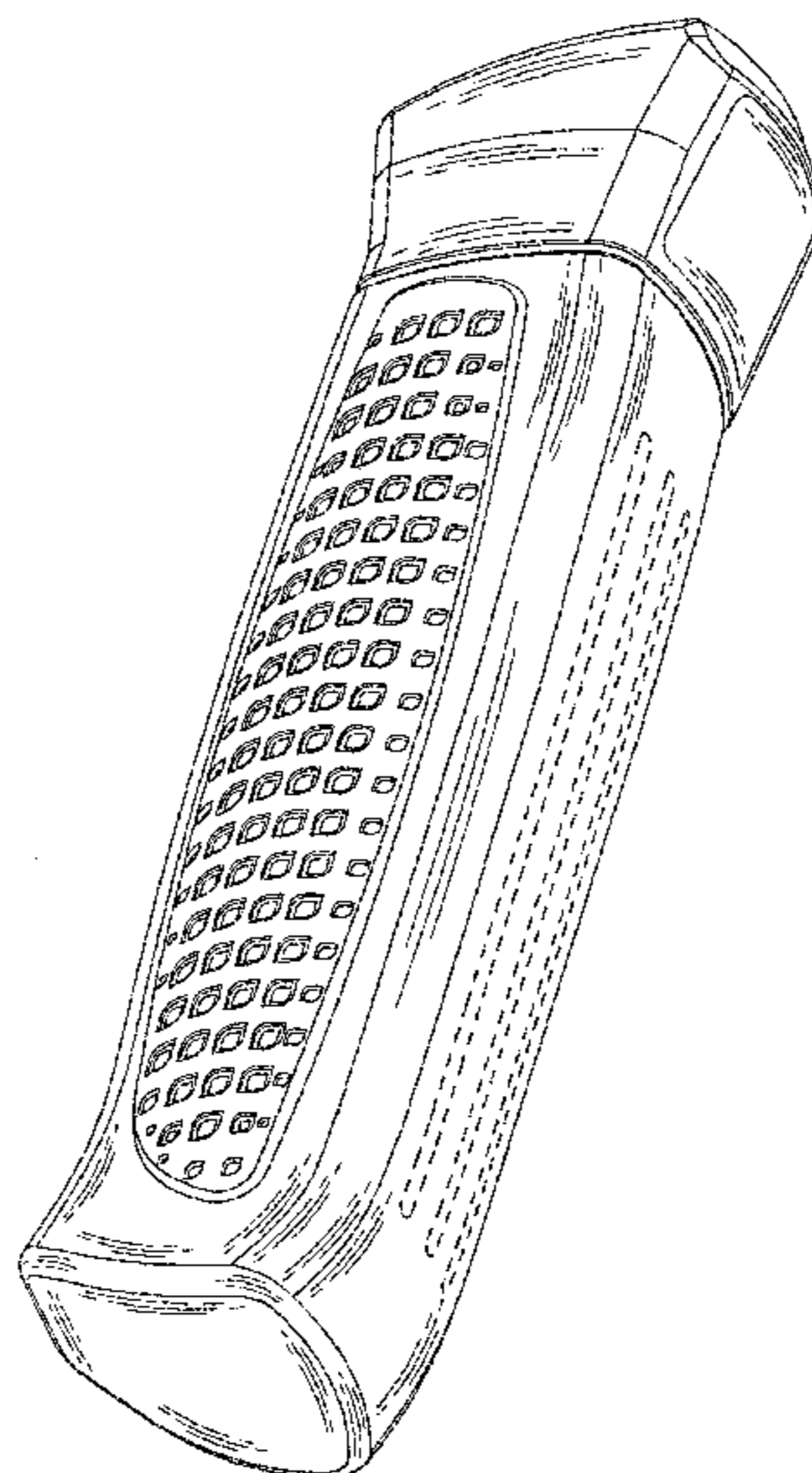
U.S. PATENT DOCUMENTS

D191,751 S * 11/1961 Woodall, Jr. D21/775
D195,520 S * 6/1963 Miller D21/775
D450,441 S * 11/2001 Chen D3/12
D471,702 S * 3/2003 You D3/12

FIG. 1 is a perspective view of a handle for umbrellas showing my new design;
FIG. 2 is a front elevational view thereof;
FIG. 3 is a rear elevational view thereof;
FIG. 4 is a left side elevational view thereof;
FIG. 5 is a right side elevational view thereof;
FIG. 6 is an enlarged top plan view thereof;
FIG. 7 is an enlarged bottom plan view thereof; and,
FIG. 8 is a further enlarged view of the detail encircled in FIG. 7.

The broken lines in the drawings depict portions of the handle for umbrellas that form no part of the claimed design.

1 Claim, 8 Drawing Sheets



(56)

References Cited

U.S. PATENT DOCUMENTS

D570,182	S	*	6/2008	Chen	D8/107
D590,146	S	*	4/2009	You	D3/12
D609,048	S	*	2/2010	Yeh	D7/395
D637,816	S	*	5/2011	Nitkin	D3/318
D698,219	S	*	1/2014	Lee	D8/107
D720,594	S	*	1/2015	Henderson	D8/107
D723,791	S	*	3/2015	Headley	D3/12
D798,351	S	*	9/2017	Whited	D15/144
D818,259	S	*	5/2018	Ye	D3/12
D828,009	S	*	9/2018	Ye	D3/12
D859,810	S	*	9/2019	Headley	D3/12
D926,553	S	*	8/2021	Buckley	D8/322
D929,204	S	*	8/2021	Su	D8/107
2015/0251077	A1	*	9/2015	Pedersen	A63C 11/222 280/821

OTHER PUBLICATIONS

Ergonomic Handle High Quality Umbrella with Custom Printing, unknown first available date, globalmarket.com [online], [site visited Jul. 27, 2021], Available at internet URL: <http://www.globalmarket.com/product-info/ergonomic-handle-high-quality-umbrella-with-custom-printing-10214812.html> (Year: 2021).*

* cited by examiner

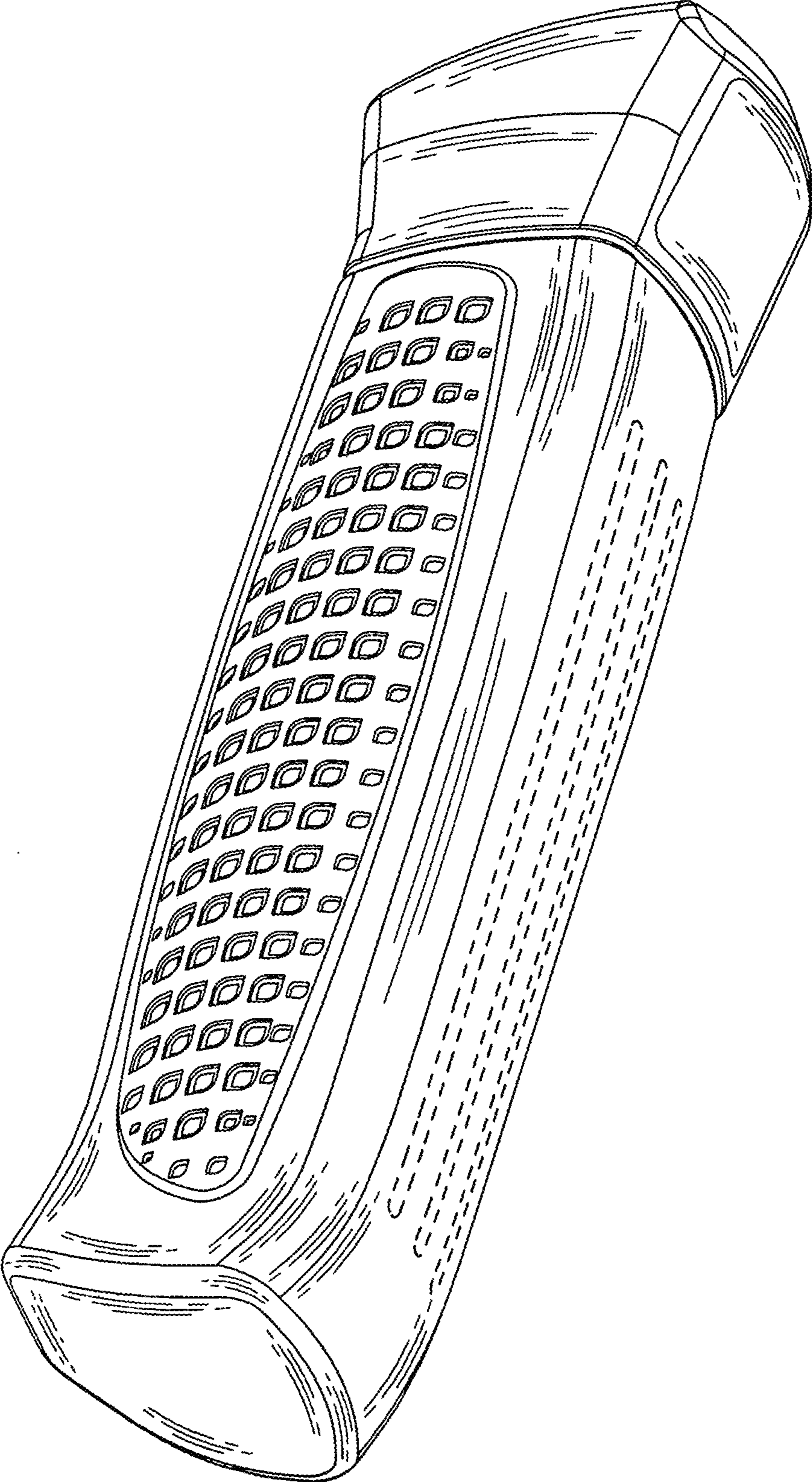


FIG. 1

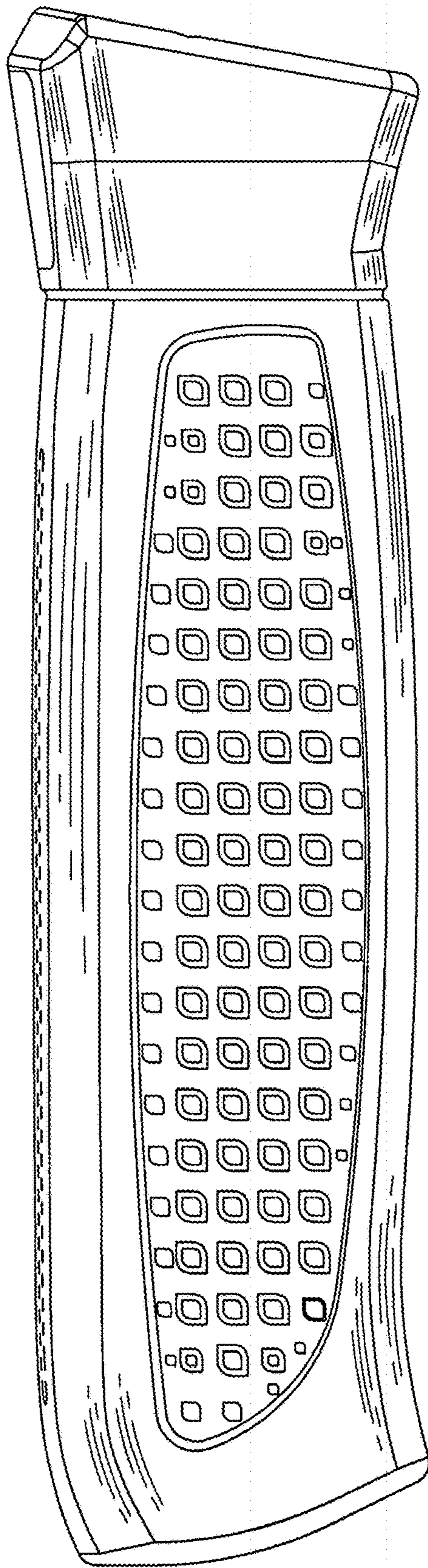


FIG. 2

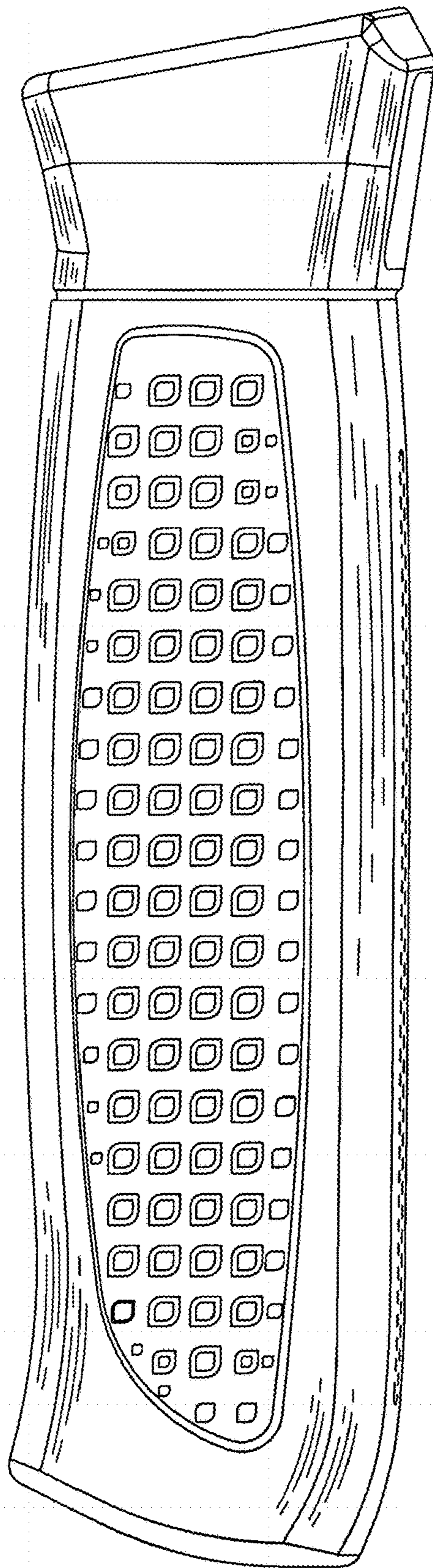


FIG. 3

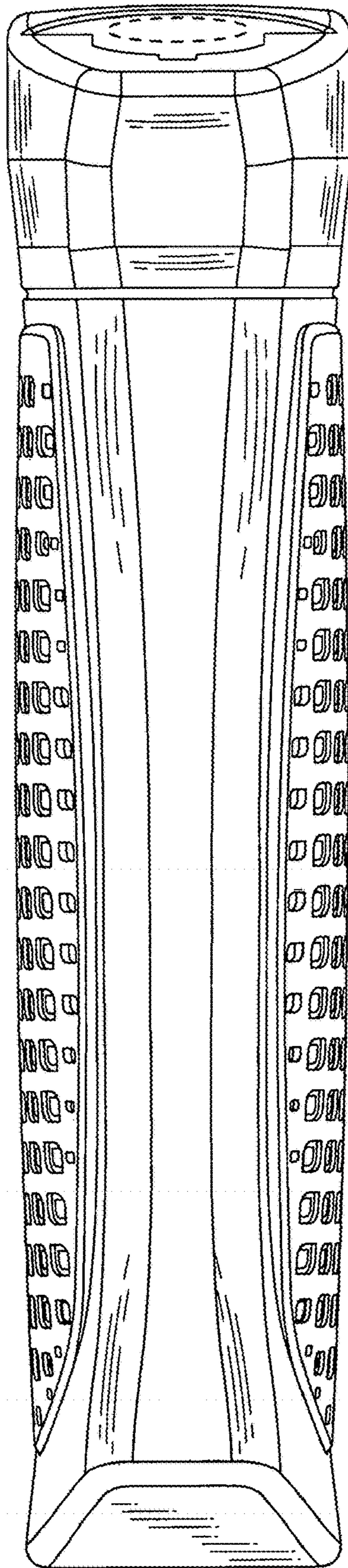


FIG. 4

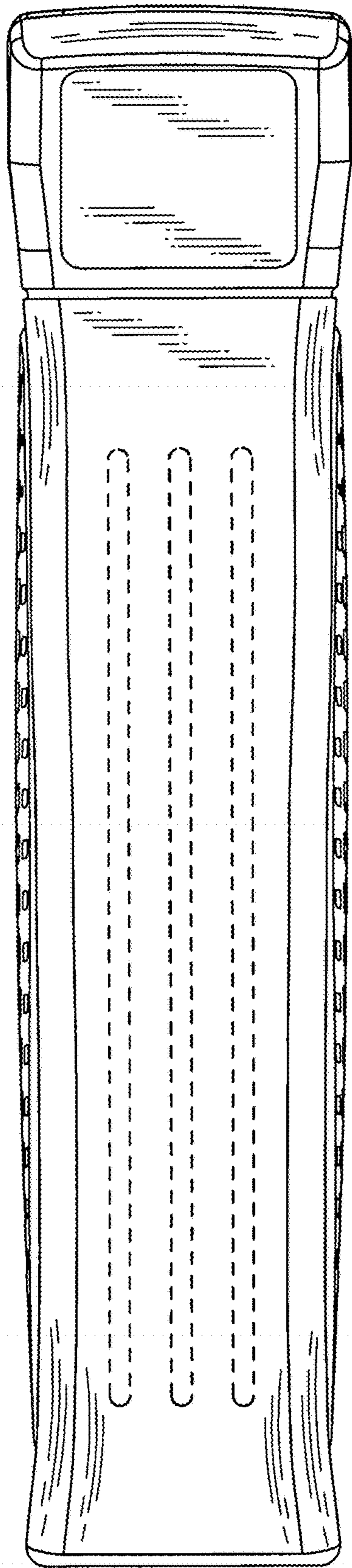


FIG. 5

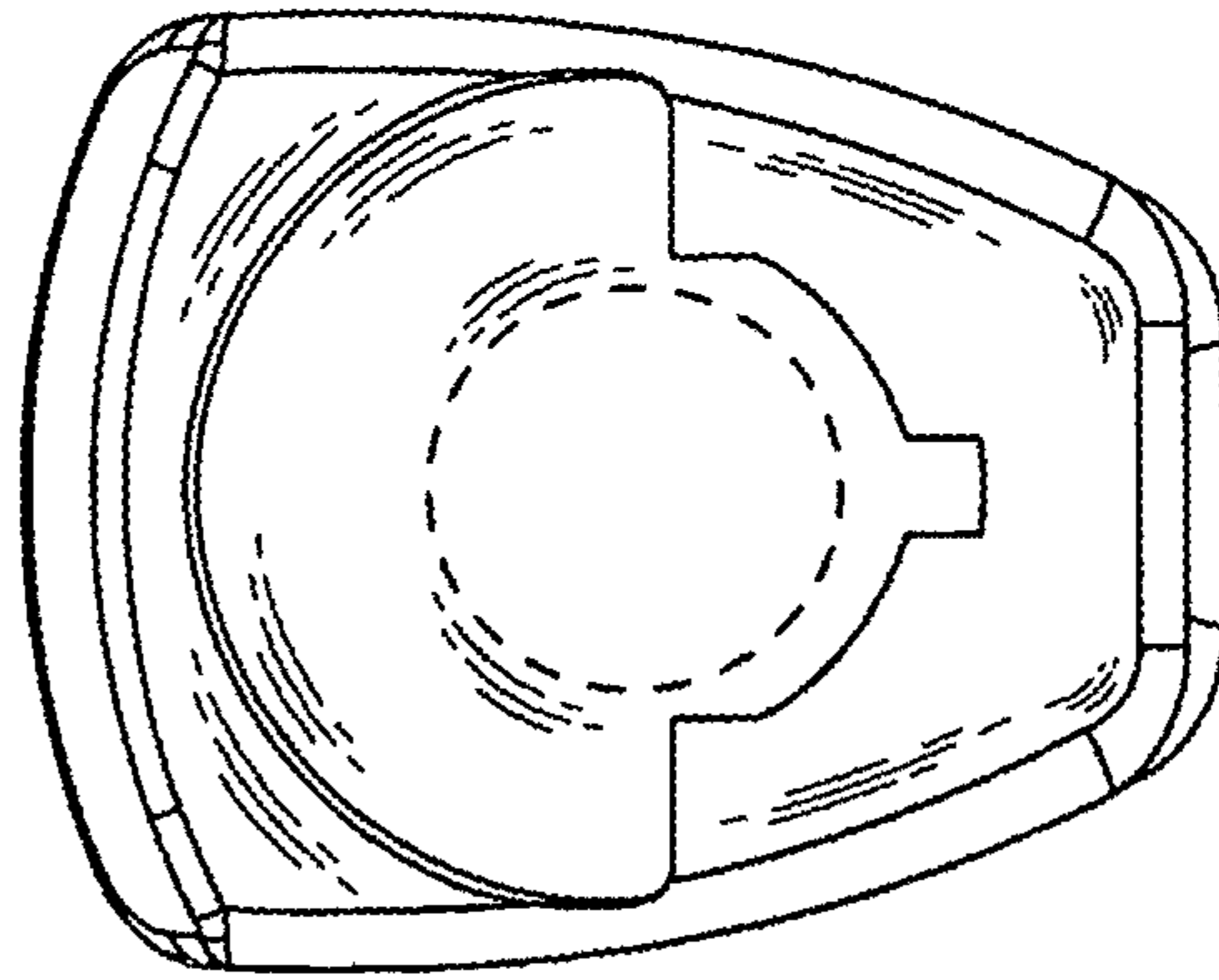


FIG. 6

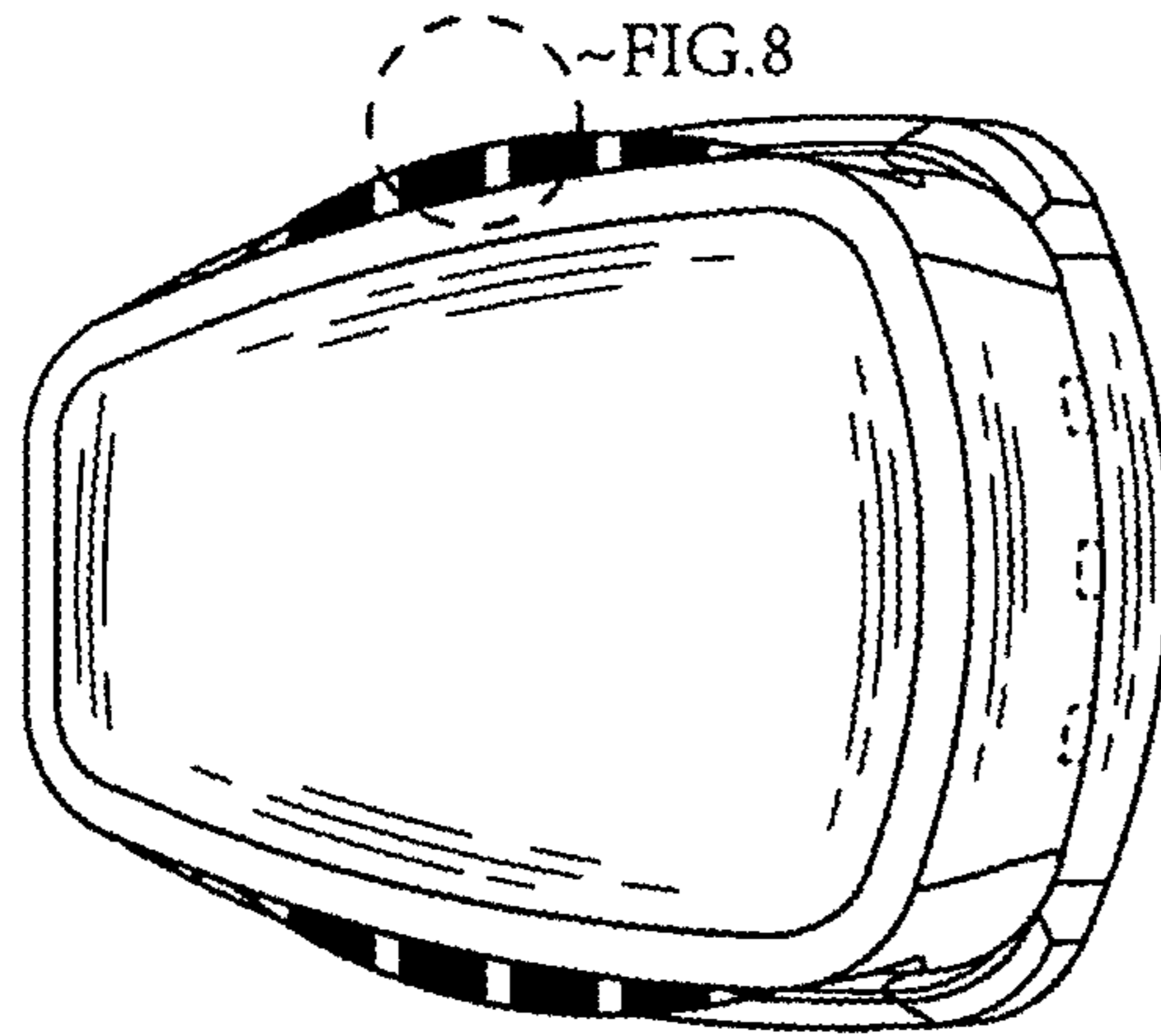


FIG. 7

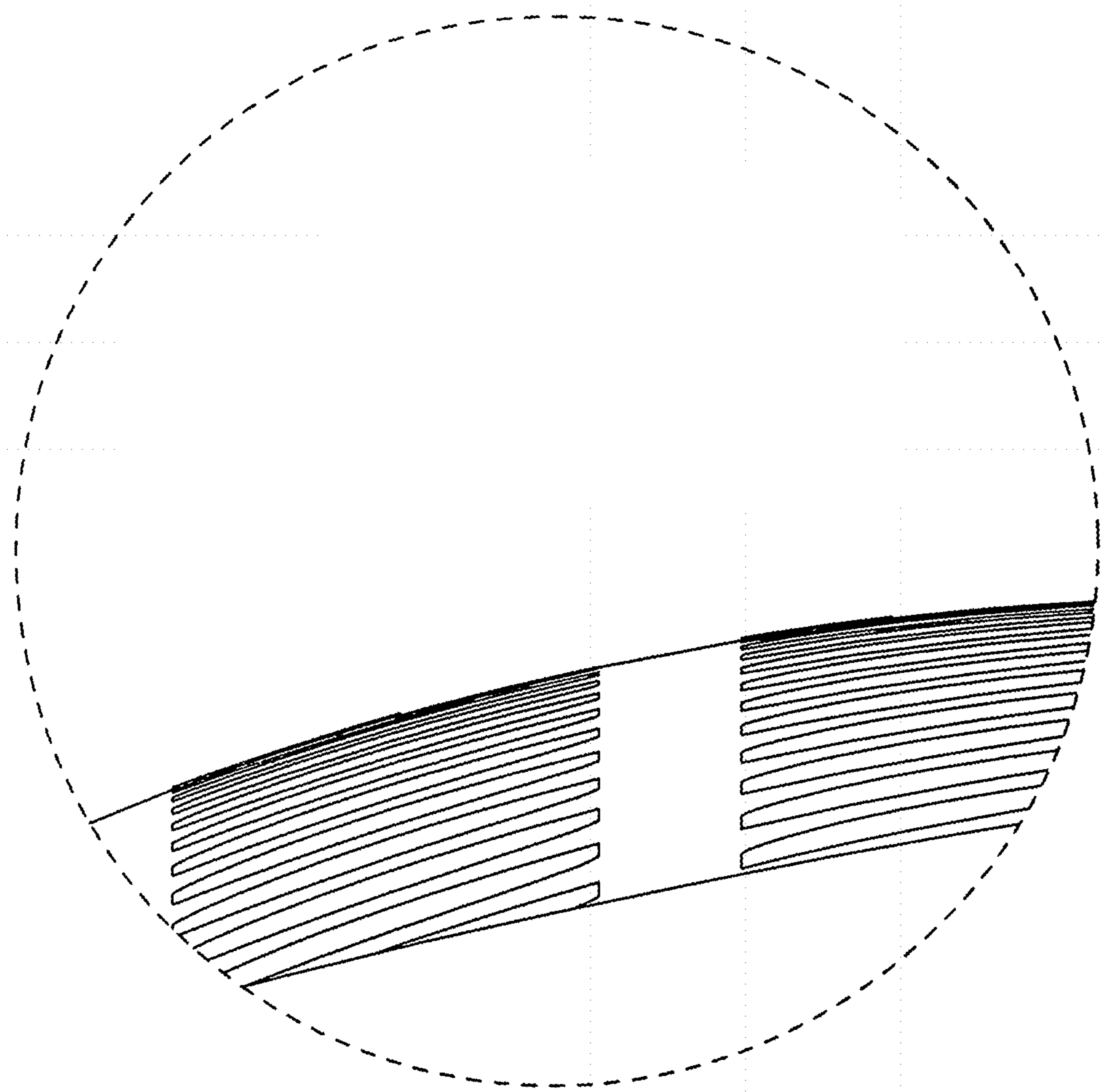


FIG. 8