



US00D946869S

(12) **United States Design Patent**
Sartori

(10) **Patent No.:** **US D946,869 S**

(45) **Date of Patent:** **** Mar. 29, 2022**

(54) **SHOE SOLE**

(71) Applicant: **CONSITEX S.A.**, Stabio (CH)

(72) Inventor: **Alessandro Sartori**, Trivero (IT)

(73) Assignee: **CONSITEX S.A.**

(**) Term: **15 Years**

(21) Appl. No.: **29/722,156**

(22) Filed: **Jan. 27, 2020**

(30) **Foreign Application Priority Data**

Jul. 26, 2019 (EM) 006649695

(51) **LOC (13) Cl.** **02-04**

(52) **U.S. Cl.**

USPC **D2/947**; D2/951; D2/953

(58) **Field of Classification Search**

USPC D2/902, 906, 908, 916, 918, 925,
D2/946-962, 977; 36/3 B, 22 R, 24.5,
36/25 R, 28, 32 R, 34 R, 59 C, 67 A, 103
CPC A43B 13/00; A43B 13/02; A43B 13/023;
A43B 13/026; A43B 13/04; A43B 13/08;
A43B 13/10; A43B 13/12; A43B 13/14;
A43B 13/141; A43B 13/143; A43B
13/16; A43B 13/18; A43B 13/181; A43B
13/187; A43B 13/189; A43B 13/20; A43B
13/22; A43B 13/223; A43B 13/24; A43B
13/28; A43B 13/30; A43B 13/32; A43B
13/34; A43B 13/36

See application file for complete search history.

(56) **References Cited**

U.S. PATENT DOCUMENTS

2,083,310 A * 6/1937 Barber A43B 3/02
36/73
3,822,488 A * 7/1974 Johnson A43B 23/025
36/129

D238,626 S * 2/1976 Senter D2/907
D278,092 S * 3/1985 Gamm D2/918
4,766,682 A * 8/1988 Malloy, III A43B 3/0078
36/132
D306,231 S * 2/1990 Dorfman D2/977
D309,370 S * 7/1990 Nagai D2/953
D384,798 S * 10/1997 Gray D2/959
D385,102 S * 10/1997 Avar D2/946
D407,539 S * 4/1999 Weissman D2/946
D482,515 S * 11/2003 St-Louis D2/972
D514,778 S * 2/2006 Berg A43B 3/0078
D2/916
D536,518 S * 2/2007 Gallegos D2/961
D557,887 S * 12/2007 Kaiser A43B 13/187
D2/951
D591,031 S * 4/2009 Cofinco D2/902
D622,050 S * 8/2010 Amphyon D2/972
D625,503 S * 10/2010 Walden D2/969
D644,823 S * 9/2011 Costello A43B 23/22
D2/916

(Continued)

Primary Examiner — T Chase Nelson

(74) *Attorney, Agent, or Firm* — Saidman DesignLaw
Group, LLC

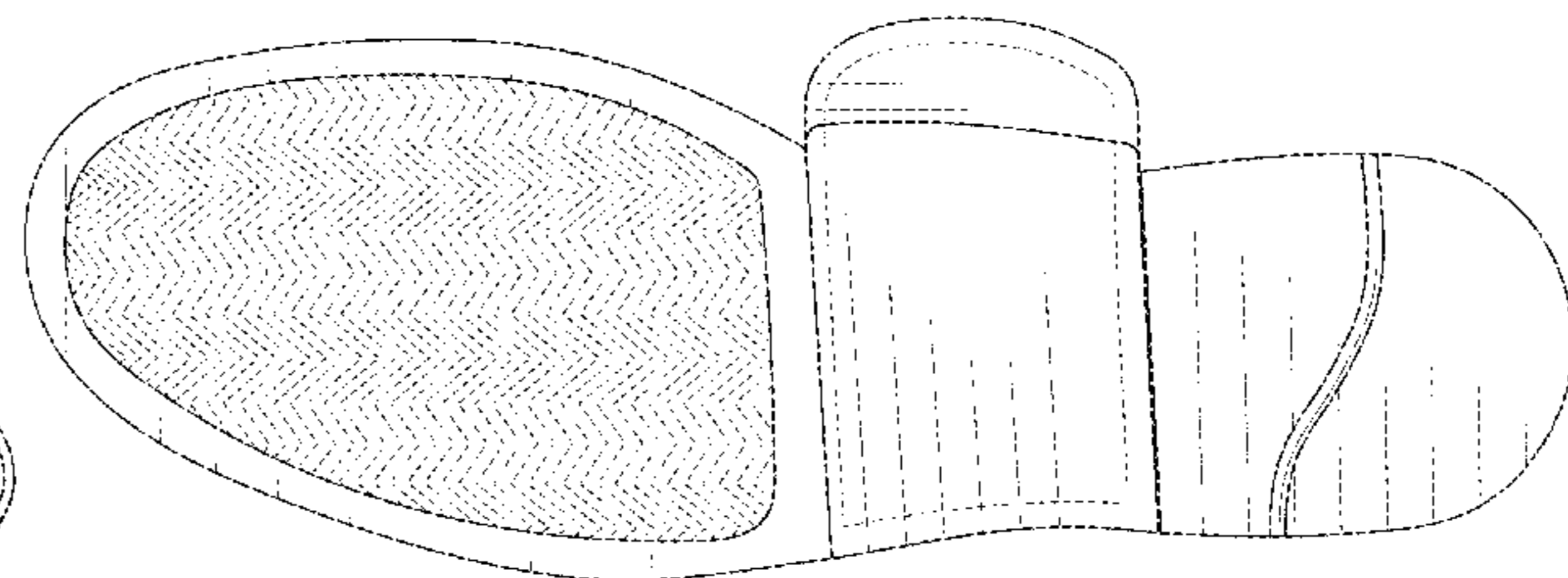
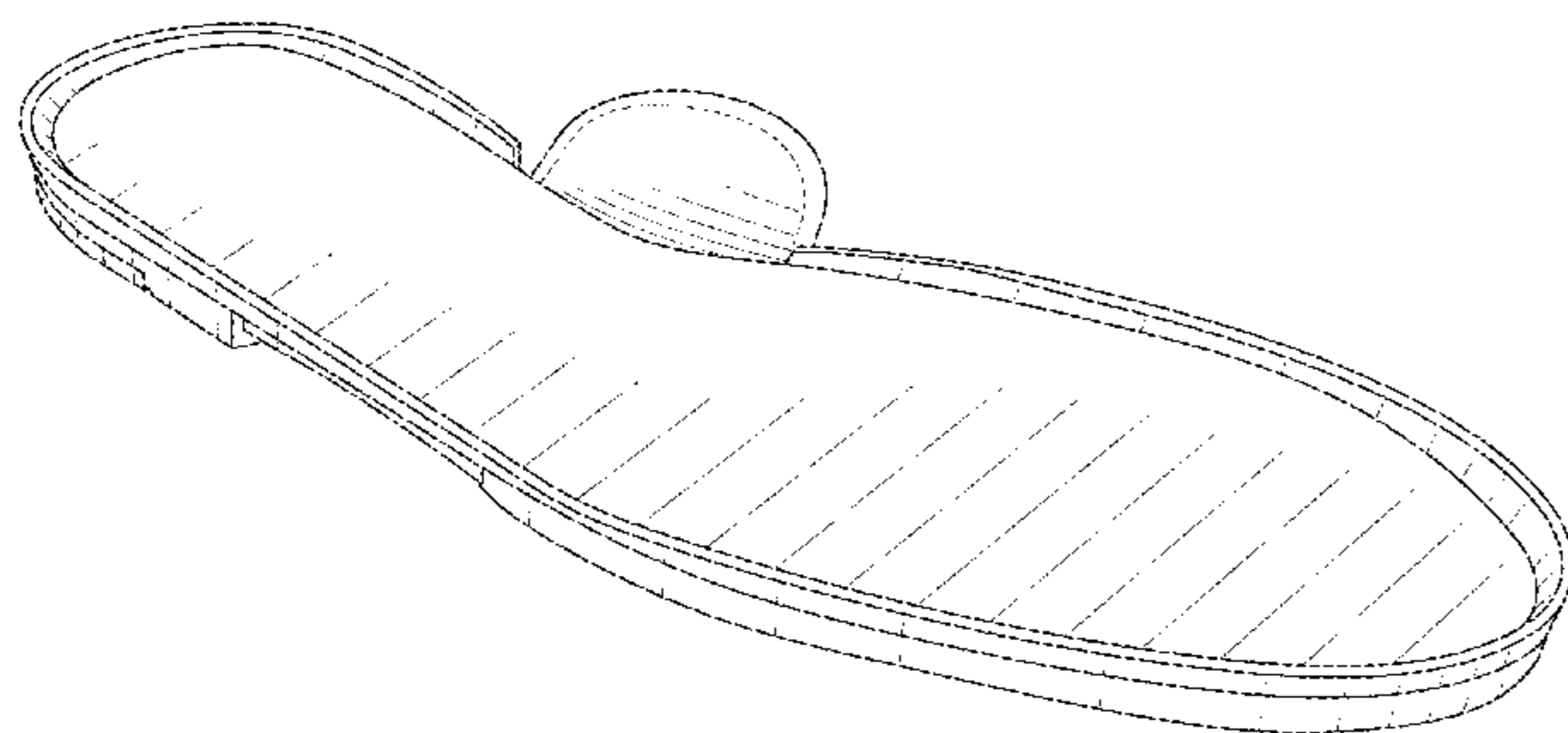
(57) **CLAIM**

The ornamental design for a shoe sole, as shown and
described.

DESCRIPTION

FIG. 1 is a perspective view of a shoe sole showing my new
design;
FIG. 2 is a right side view thereof;
FIG. 3 is a left side view thereof;
FIG. 4 is a front view thereof;
FIG. 5 is a rear view thereof;
FIG. 6 is a top view thereof; and,
FIG. 7 is a bottom view thereof.
The dashed broken lines illustrate portions of the shoe sole
which form no part of the claimed design.

1 Claim, 6 Drawing Sheets



(56)

References Cited

U.S. PATENT DOCUMENTS

D674,580 S * 1/2013 Rinaldi B29D 35/126
D2/916
D699,026 S * 2/2014 Stark D2/953
D719,726 S * 12/2014 Amphyon D2/951
D761,437 S * 7/2016 Spiteri D24/189
D777,409 S * 1/2017 Rimer, Jr. D2/916
D782,165 S * 3/2017 Slimane D2/902
D830,043 S * 10/2018 Sartori D2/947
D855,964 S * 8/2019 Sartori D2/972
D864,537 S * 10/2019 Mokos D2/953
D871,048 S * 12/2019 Sartori D2/972
D891,744 S * 8/2020 Han D2/947
D892,479 S * 8/2020 Han D2/947
D899,759 S * 10/2020 Sartori D2/978
10,912,348 B2 * 2/2021 Owings A43B 1/14
D914,349 S * 3/2021 Holmes D2/972
D917,845 S * 5/2021 Huang D2/947
11,006,693 B2 * 5/2021 Hanft A43B 7/32
2005/0257405 A1 * 11/2005 Kilgore A43B 13/141
36/97
2006/0230643 A1 * 10/2006 Affleck A43B 13/189
36/153
2012/0186107 A1 * 7/2012 Crary B29D 35/126
36/103
2013/0283640 A1 * 10/2013 Elder B29D 35/126
36/102
2015/0089836 A1 * 4/2015 Smaldone A43B 23/22
36/84
2018/0368509 A1 * 12/2018 Cook A43B 7/24
2020/0008522 A1 * 1/2020 Kim A43B 17/02
2020/0221812 A1 * 7/2020 Isse A43B 1/04
2020/0221816 A1 * 7/2020 Morgan A43B 13/187
2021/0022438 A1 * 1/2021 Hoffer A43B 13/16

* cited by examiner

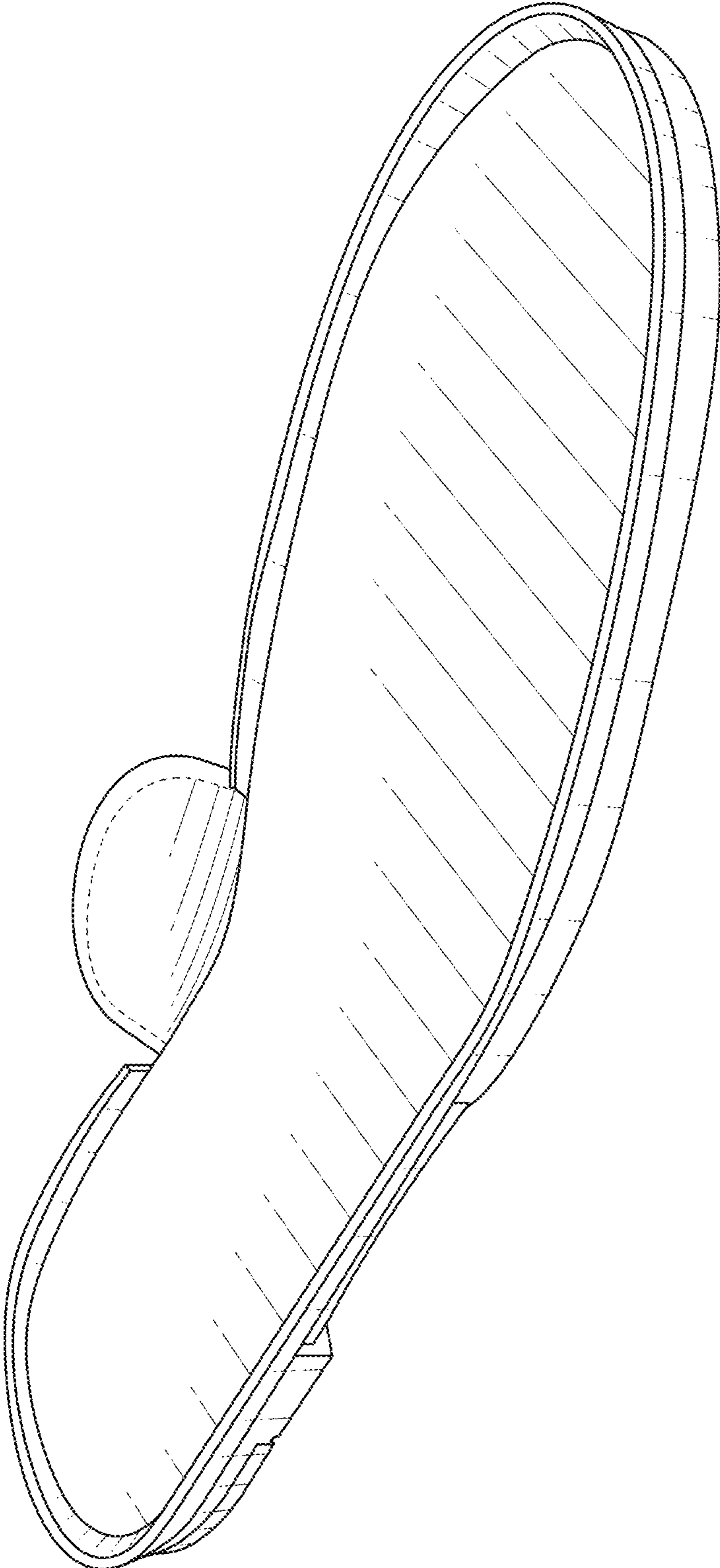


FIG. 1

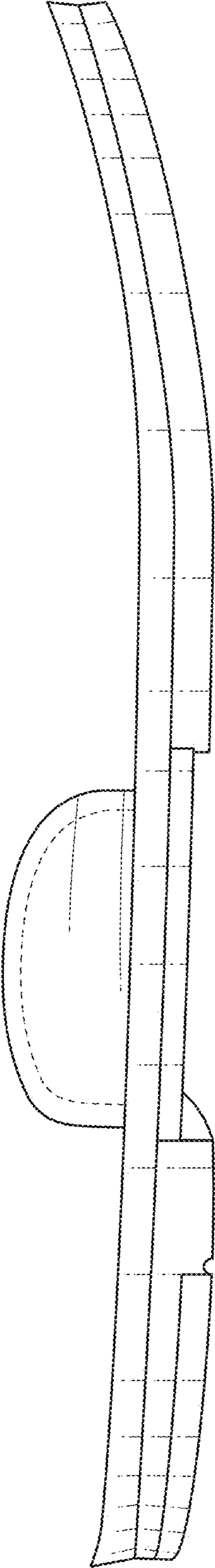


FIG. 2

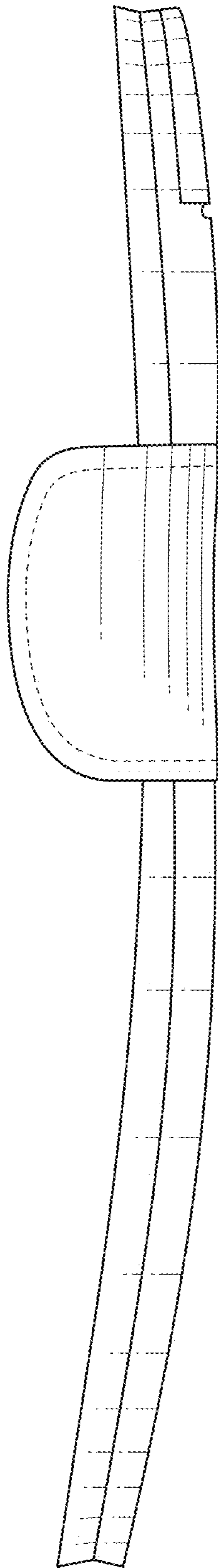


FIG. 3

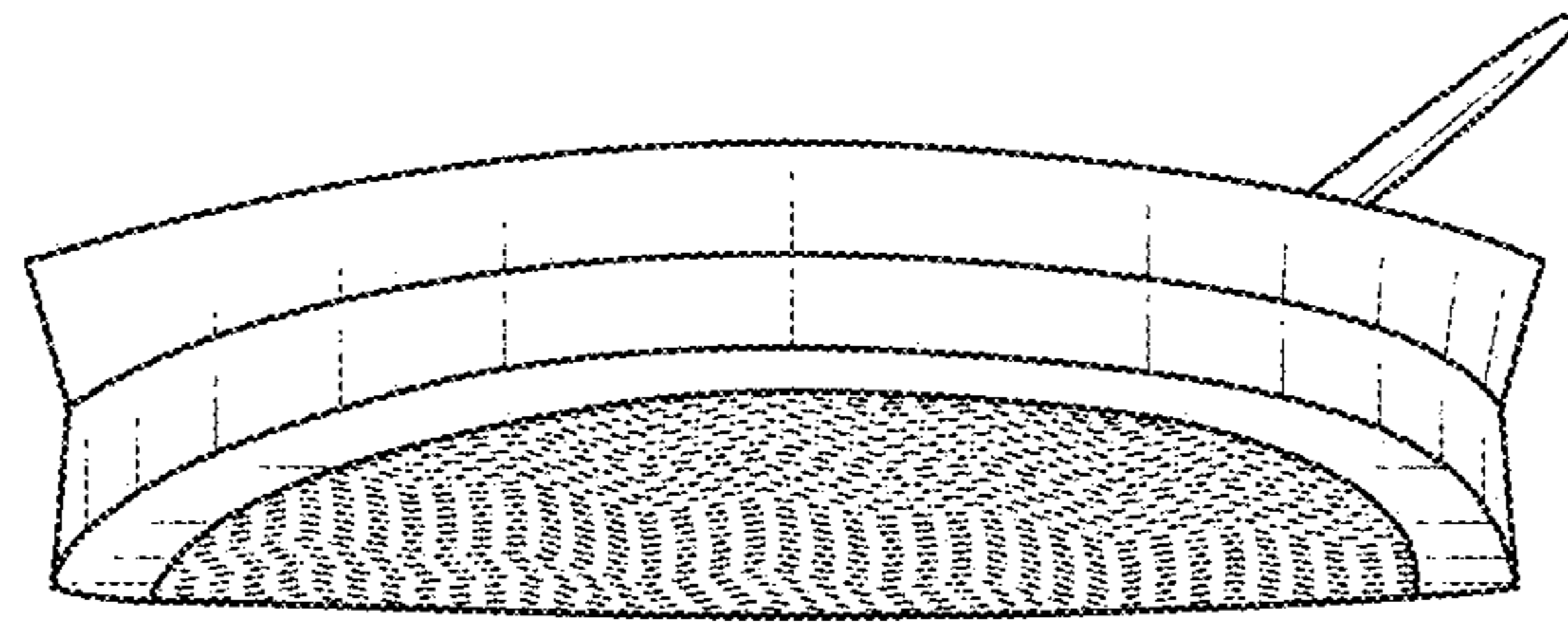


FIG. 4

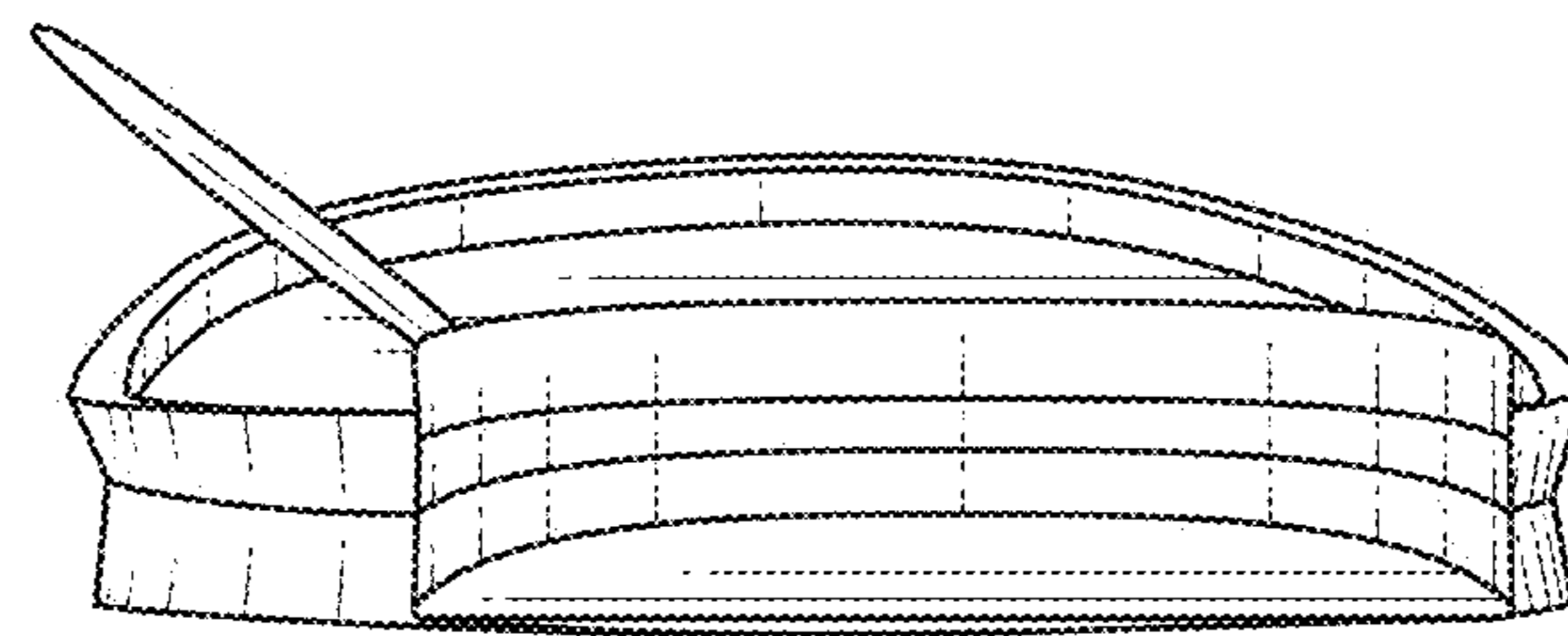


FIG. 5

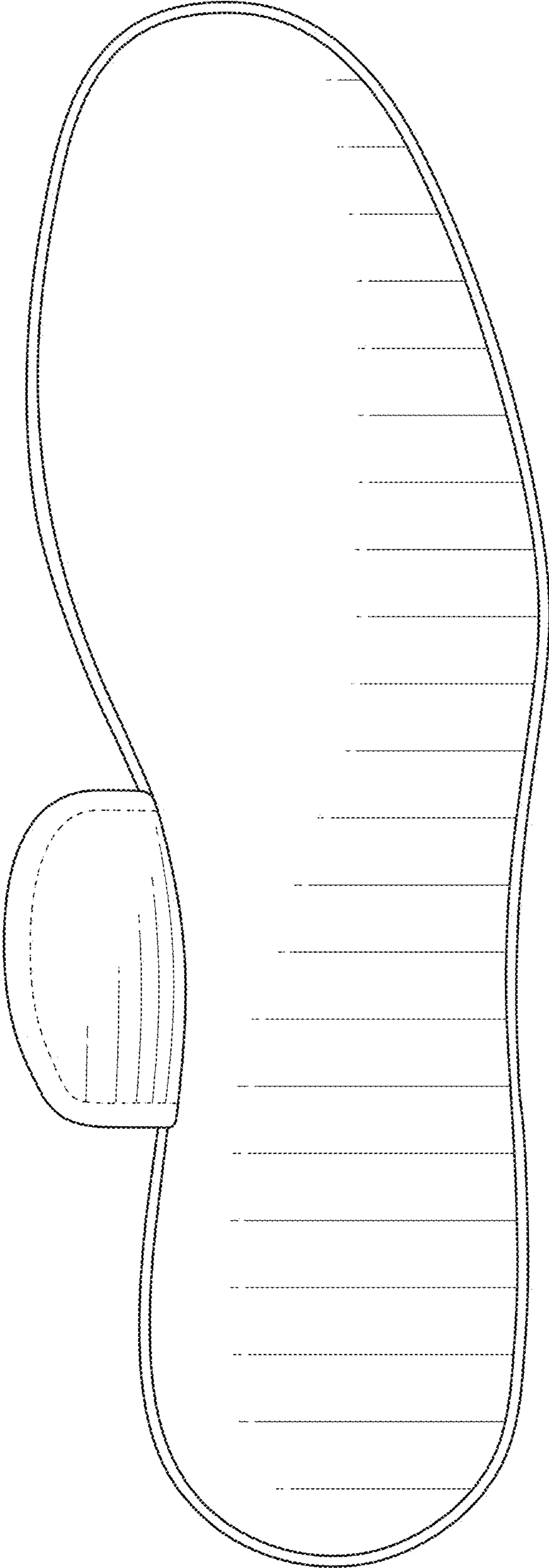


FIG. 6

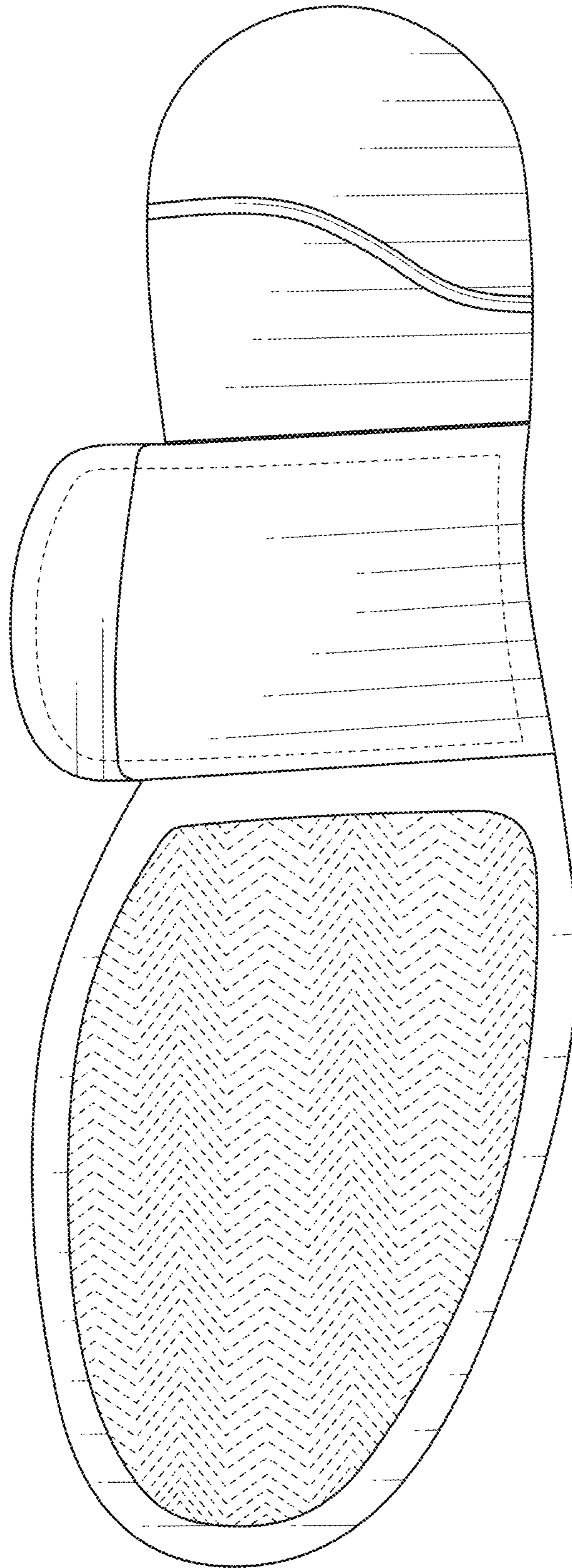


FIG. 7