



US00D946861S

(12) **United States Design Patent**
Hepler

(10) **Patent No.:** **US D946,861 S**

(45) **Date of Patent:** **** Mar. 29, 2022**

(54) **TOOTHBRUSH SHAPED PET TREAT**

(71) Applicant: **POLYSHOT CORPORATION**, West
Henrietta, NY (US)

(72) Inventor: **Douglas Christopher Hepler**,
Rochester, NY (US)

(73) Assignee: **POLYSHOT CORPORATION**, West
Henrietta, NY (US)

(**) Term: **15 Years**

(21) Appl. No.: **29/712,128**

(22) Filed: **Nov. 5, 2019**

6,455,083	B1	9/2002	Wang	
6,474,268	B1	11/2002	Suchowski	
D466,695	S	12/2002	Chen	
6,602,013	B2	8/2003	Clark	
D499,226	S *	12/2004	Axelrod D1/106
D503,998	S	4/2005	Axelrod	
D531,365	S	10/2006	Axelrod	
D531,383	S	11/2006	Dettmer	
D584,476	S	1/2009	Caudill	

(Continued)

FOREIGN PATENT DOCUMENTS

BE	893448	10/1982
JP	4869557	8/2005
WO	WO 03/088740 A1	10/2003

OTHER PUBLICATIONS

“Fresh,” Rolls Rocky Natural Italian Treats for Your Pet, Website Excerpt from <https://rollsrocky.com/en/prodotti/fresh/> (accessed Oct. 13, 2019).

(Continued)

Primary Examiner — Khawaja Anwar

(74) *Attorney, Agent, or Firm* — Sunit Talapatra; Foley & Lardner LLP

(57) **CLAIM**

The ornamental design for a toothbrush shaped pet treat, as shown and described.

DESCRIPTION

FIG. 1 depicts a toothbrush shaped pet treat according to the claimed design;

FIG. 2 is a top view thereof;

FIG. 3 is a bottom view thereof;

FIG. 4 is a side view thereof;

FIG. 5 is another side view thereof;

FIG. 6 is a front view thereof; and,

FIG. 7 is a rear view thereof.

1 Claim, 7 Drawing Sheets

Related U.S. Application Data

(63) Continuation of application No. 35/001,421, filed on Aug. 23, 2017 (U.S. filing date under 35 U.S.C. 384), and having an international filing date of Aug. 23, 2017, now abandoned.

(51) **LOC (13) Cl.** **01-01**

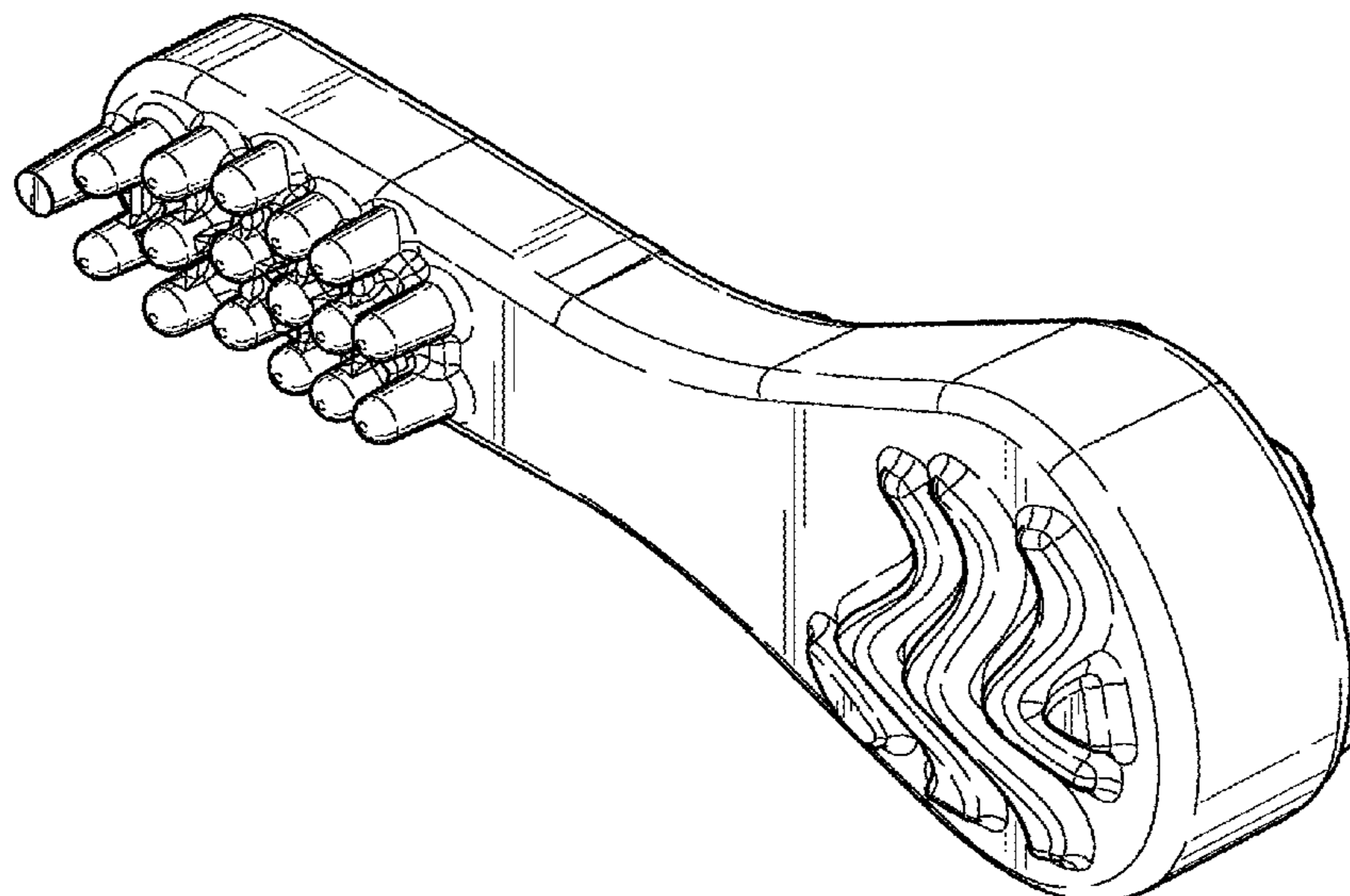
(52) **U.S. Cl.**
USPC **D1/106**

(58) **Field of Classification Search**
USPC D1/100–130
CPC A23L 27/84; A23L 29/035; A23L 29/25;
A23L 2/52; A23L 33/10; A23L 33/105;
A23L 33/115; A23L 33/15; A23L 3/44
See application file for complete search history.

(56) **References Cited**

U.S. PATENT DOCUMENTS

2,095,741	A	11/1935	Hachman
4,471,506	A	9/1984	Massari
5,200,212	A	4/1993	Axelrod
5,263,436	A	11/1993	Axelrod
5,675,859	A	10/1997	Barre
D404,495	S	1/1999	Chien
6,405,681	B1	6/2002	Ward



(56)

References Cited

U.S. PATENT DOCUMENTS

7,490,579	B2	2/2009	Axelrod	
D587,428	S *	3/2009	Torney	D1/106
7,497,189	B2	3/2009	Torney et al.	
D590,127	S	4/2009	Caudill	
D603,127	S *	11/2009	Townsend	D1/106
7,647,894	B2	1/2010	Axelrod	
8,367,144	B2	2/2013	Pater	
D684,746	S	6/2013	Pang	
D715,016	S *	10/2014	Huang	D1/106
D740,518	S *	10/2015	Axelrod	D1/199
D745,241	S *	12/2015	Doerr	D1/106
D747,067	S	1/2016	Axelrod	
D822,339	S	7/2018	Wilson	
D822,340	S	7/2018	Wilson	
D849,355	S *	5/2019	Guo	D1/106
D903,227	S *	12/2020	Baikie	D1/106
D930,947	S *	9/2021	O'Brien	D1/199
2007/0101946	A1	5/2007	Penny	
2008/0041320	A1 *	2/2008	Torney	A23K 50/40 119/709
2008/0201881	A1	8/2008	Dunn	
2012/0279460	A1	11/2012	Pang	

OTHER PUBLICATIONS

Notice of Allowance in U.S. Appl. No. 35/001,421 dated Aug. 16, 2019.

Notice of Allowance in U.S. Appl. No. 29/703,225 dated Jul. 24, 2020.

* cited by examiner

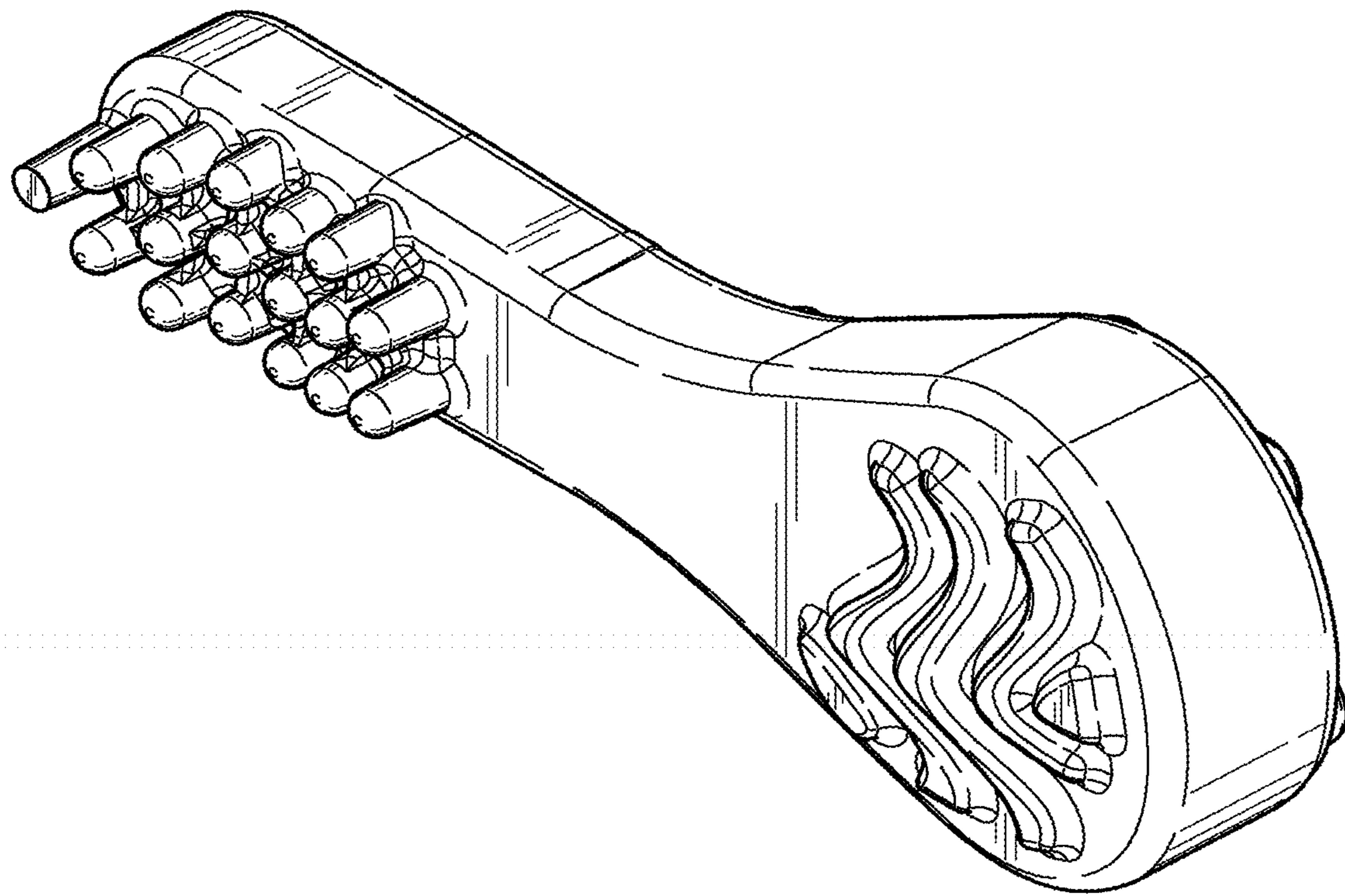


FIG. 1

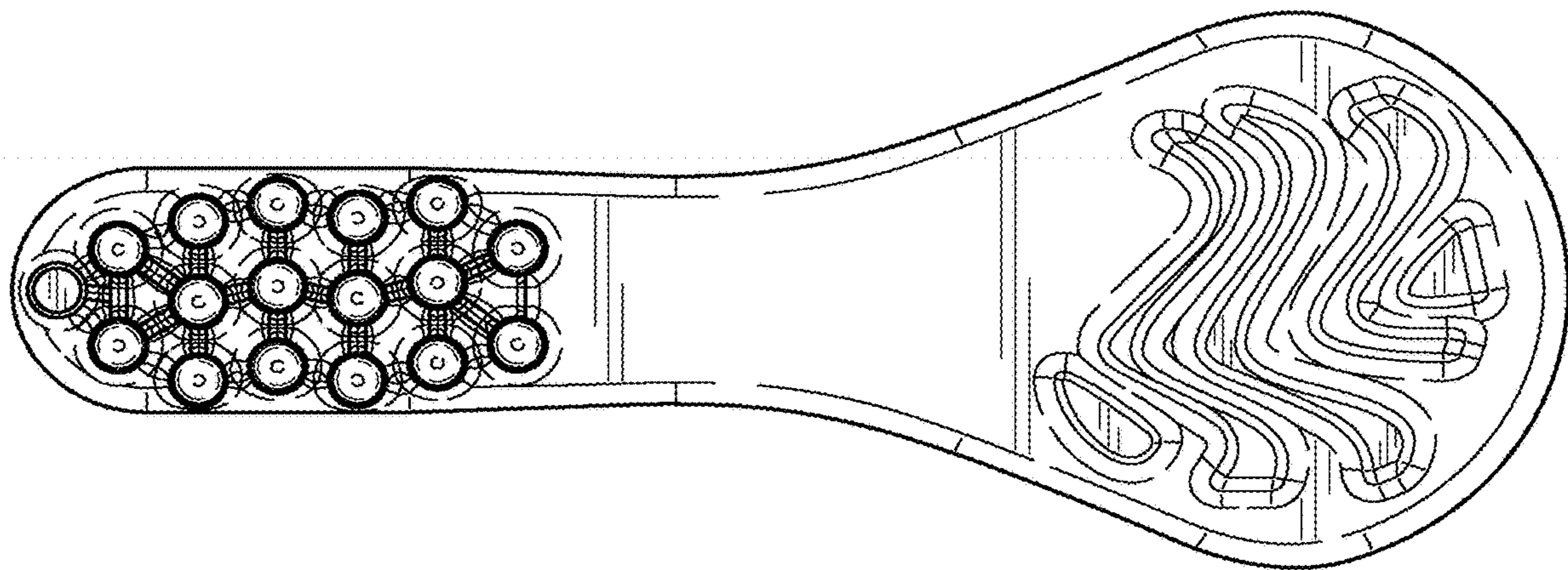


FIG. 2

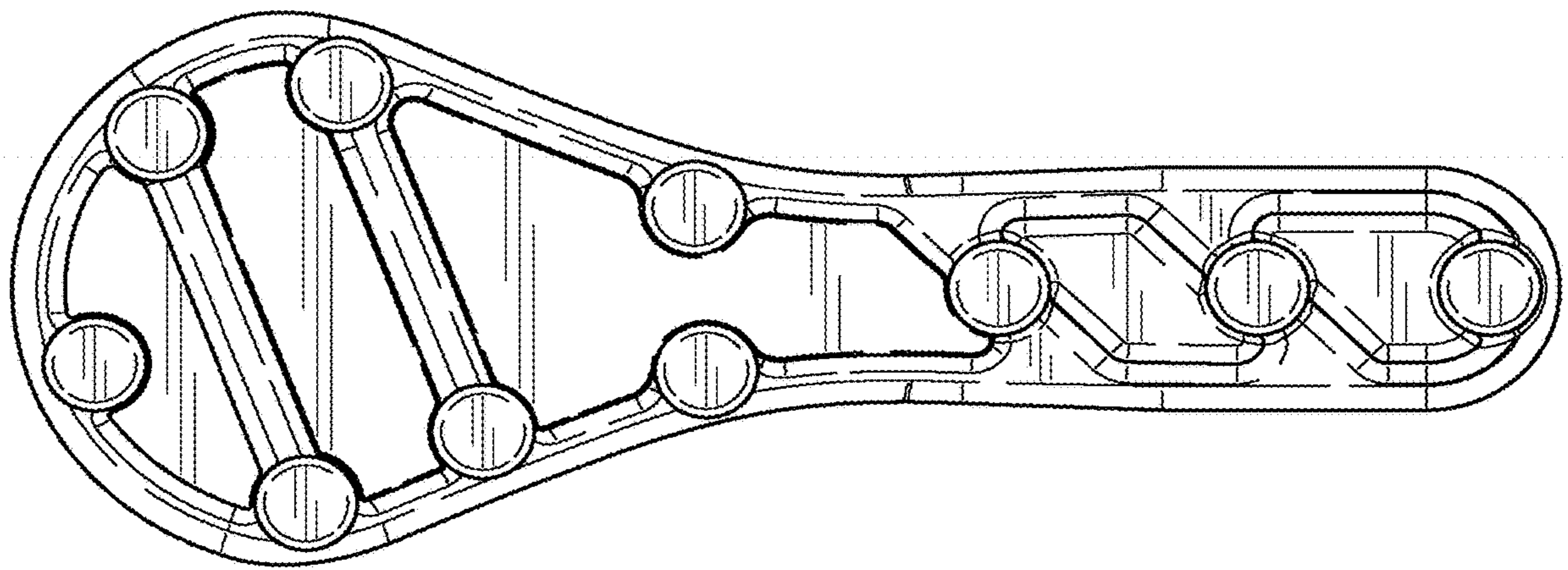


FIG. 3

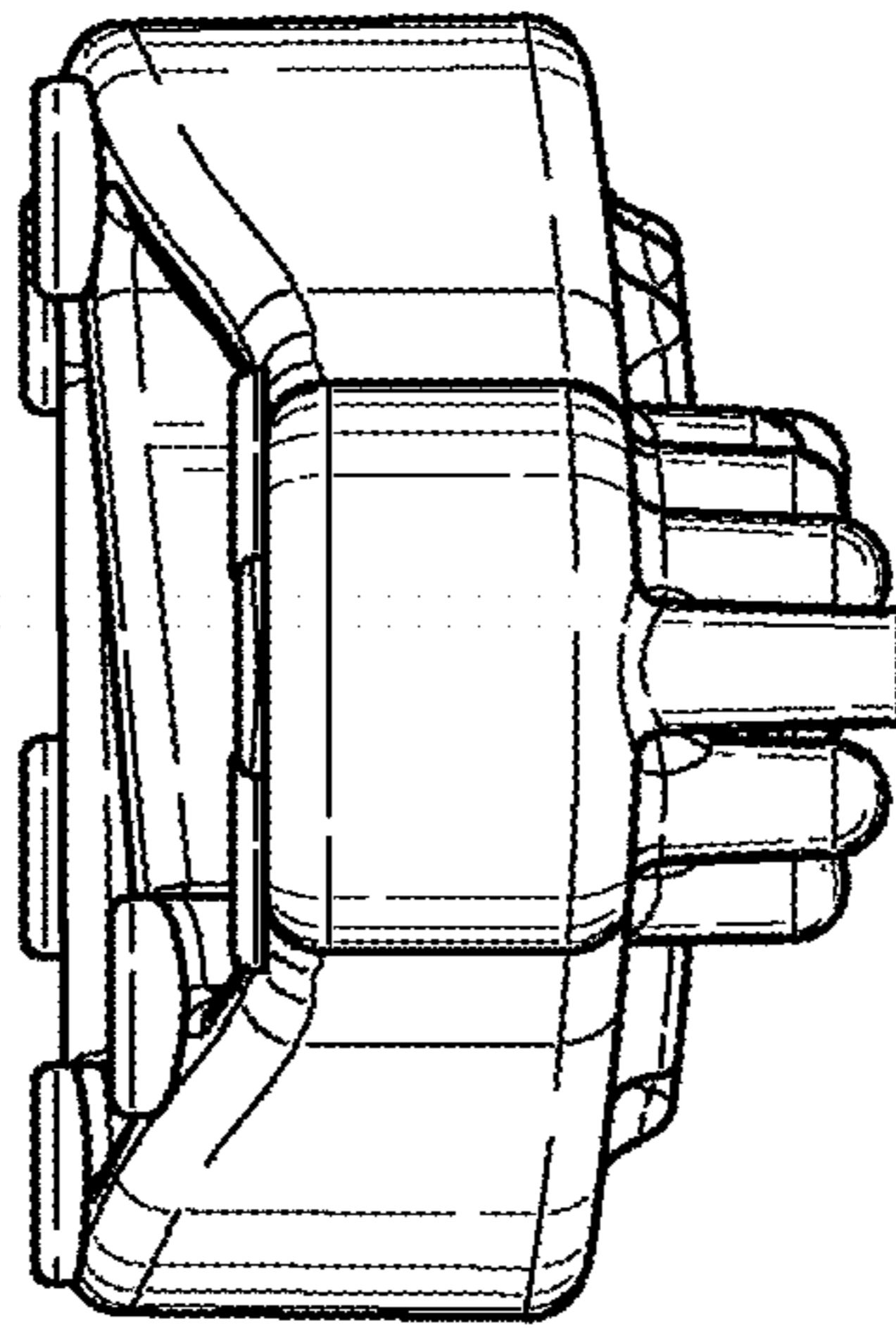


FIG. 4

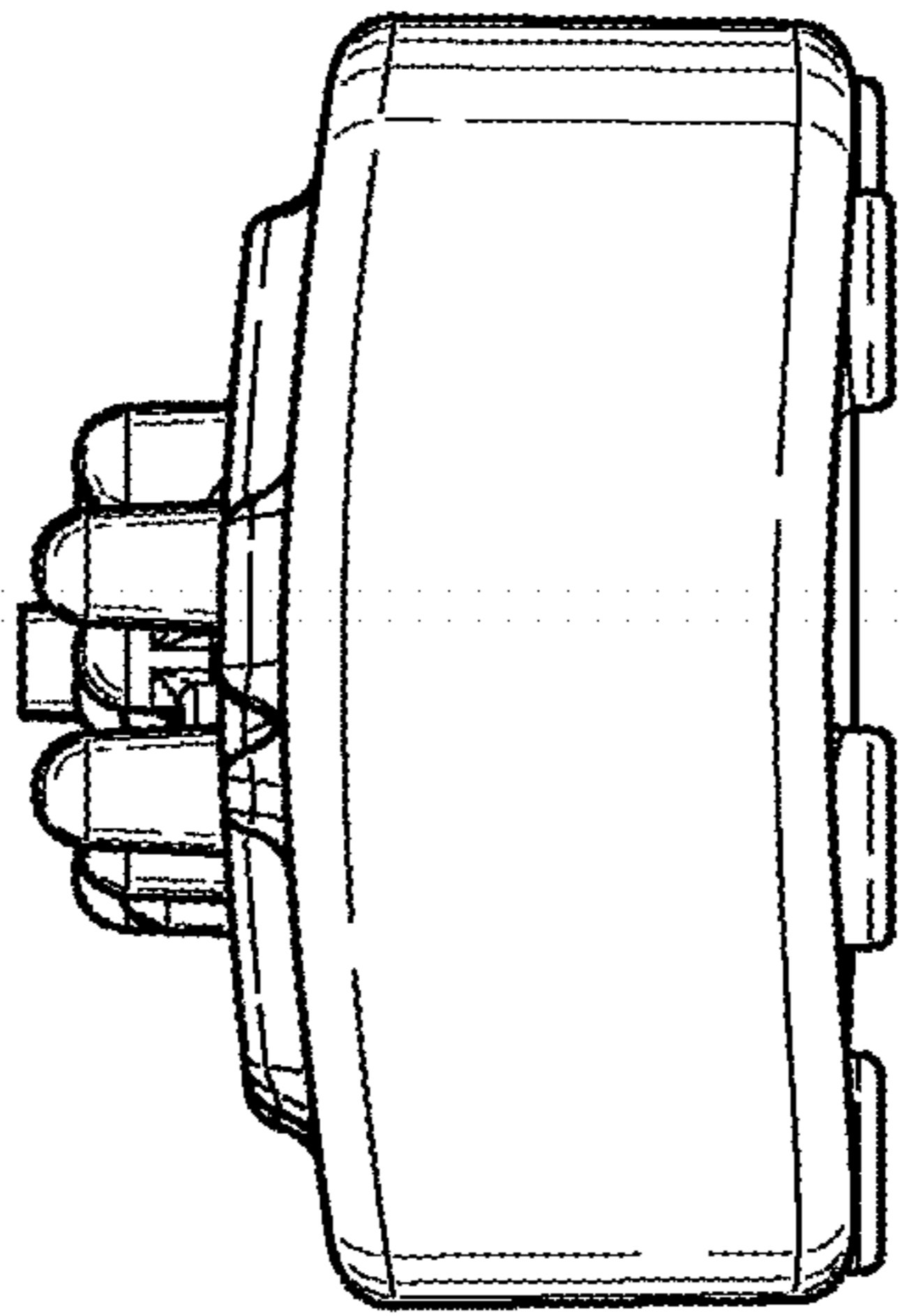


FIG. 5

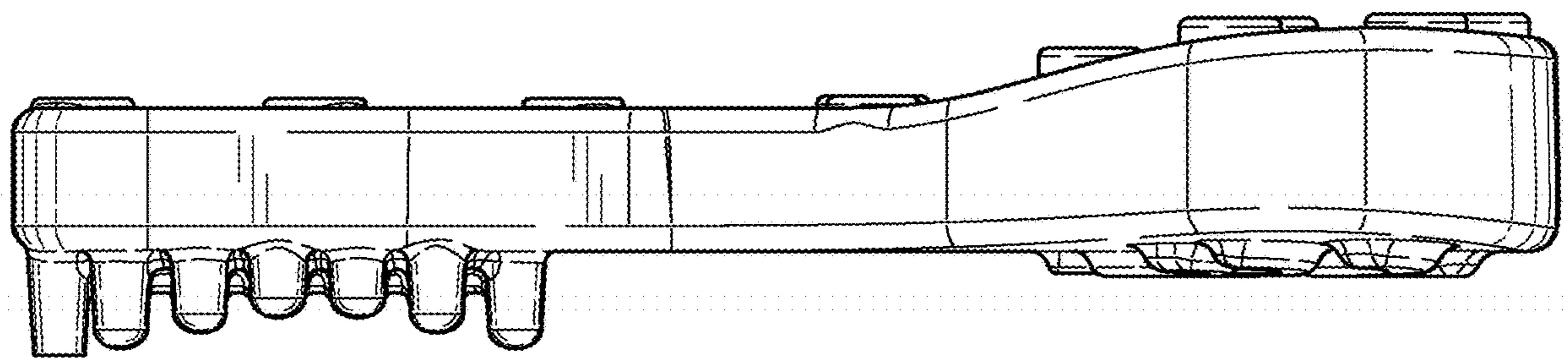


FIG. 6

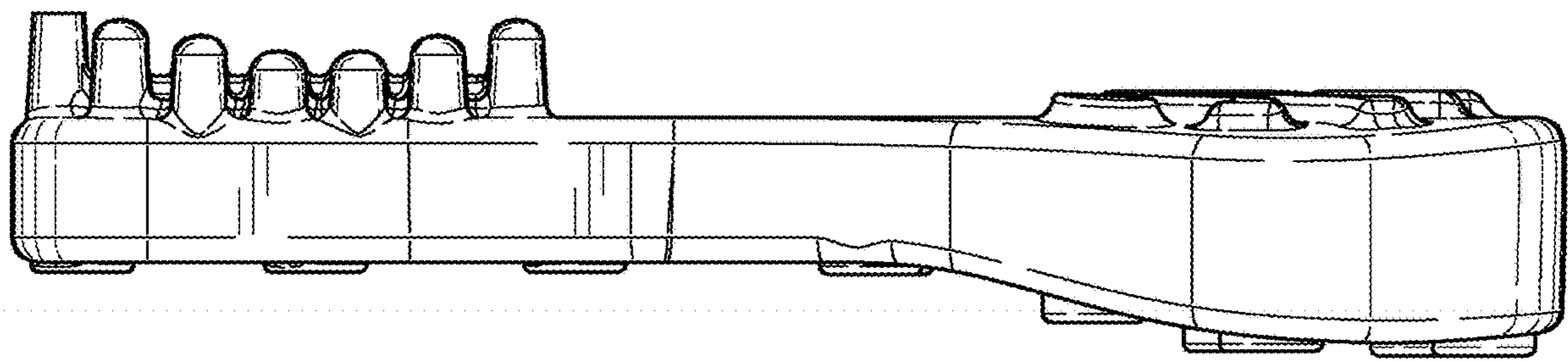


FIG. 7