



US00D946860S

(12) **United States Design Patent**
Maimon et al.

(10) **Patent No.:** **US D946,860 S**
(45) **Date of Patent:** **** Mar. 22, 2022**

(54) **CURRENCY DISPENSING MACHINE**

(71) Applicant: **WalletSocket Inc.**, Sheridan, WY (US)

(72) Inventors: **Eric Steven Maimon**, Sheridan, WY (US); **Samuel Keith Lester**, Sheridan, WY (US); **Sanuree Ida Gomes**, Sheridan, WY (US)

(73) Assignee: **WalletSocket Inc.**, Sheridan, WY (US)

(**) Term: **15 Years**

(21) Appl. No.: **29/724,279**

(22) Filed: **Feb. 13, 2020**

(51) **LOC (13) Cl.** **99-00**

(52) **U.S. Cl.**
USPC **D99/28**

(58) **Field of Classification Search**
USPC D99/28, 34, 35, 36, 43, 99;
D14/300-302, 305, 307, 900-902;
D18/3.1-3.3, 4.1-4.6, 12.1-12.3;
D21/324, 325, 329, 369, 370; 101/66;
109/1 R, 1 V, 2, 23, 24.1, 25, 58, 58.5,
109/66; 446/8-13; 705/16, 17, 18, 42,
705/43, 44, 45; 235/51, 379, 380, 381,
235/382, 382.5, 386; 206/0.8, 0.81,
206/0.815, 0.82, 0.84
CPC .. G06Q 20/10; G06Q 20/108; G06Q 20/1085;
G06Q 20/18; G07D 1/00; G07D 1/02;
G07D 1/04; G07D 1/06; G07D 11/00;
G07D 9/002; G07D 9/04; G07F 19/20;
G07F 19/201; G07F 19/202; G07F
19/203; G07F 19/204; G07F 19/105;
G07F 19/21; G07F 19/00; G07F 7/04;
G07F 5/00; G07F 1/00; E05G 7/001;
E05G 1/006; A63H 33/00; A63H 33/005
See application file for complete search history.

(56) **References Cited**

U.S. PATENT DOCUMENTS

D197,221	S	*	12/1963	Dreyfuss	D6/640
D252,410	S	*	7/1979	Graser	D99/28
D626,543	S	*	11/2010	Hagen	D14/307
D695,285	S	*	12/2013	Smith	D14/307
D707,012	S	*	6/2014	Swaine	D99/28
D762,635	S	*	8/2016	Szeredi	D14/307
D763,247	S	*	8/2016	Yeppez	D14/307
D769,569	S	*	10/2016	Kennedy	D99/28
D790,530	S	*	6/2017	Mangeot	D14/307
D839,529	S	*	1/2019	Nelson	D99/28
2009/0057398	A1	*	3/2009	Douglass	G07F 19/00 235/379

* cited by examiner

Primary Examiner — Elizabeth J Oswecki
(74) *Attorney, Agent, or Firm* — Reid E. Dammann;
Gordon Rees Scully Mansukhani LLP

(57) **CLAIM**

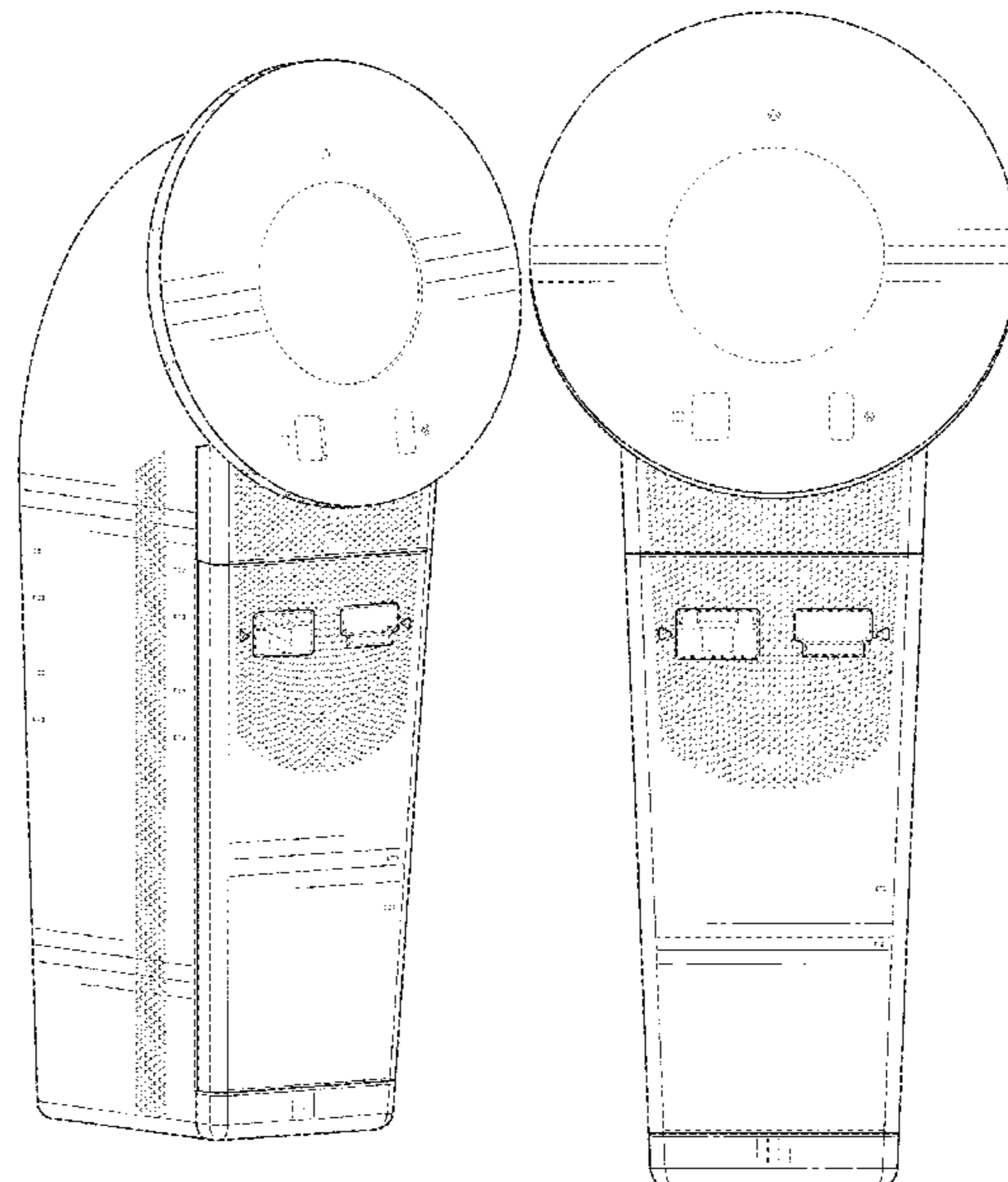
The ornamental design for a currency dispensing machine, as shown and described.

DESCRIPTION

FIG. 1 is a perspective view of a currency dispensing machine showing our new design;
FIG. 2 is a front elevation view thereof;
FIG. 3 is a back elevation view thereof;
FIG. 4 is a left side elevation view thereof;
FIG. 5 is a right side elevation view thereof;
FIG. 6 is a top plan view thereof; and,
FIG. 7 is a bottom plan view thereof.

The broken lines shown in the drawings represent portions of the currency dispensing machine that form no part of the claimed design. The half-circular line pattern shown in FIGS. 1, 2, 4, 5 and 7 form no part of the claimed design.

1 Claim, 7 Drawing Sheets



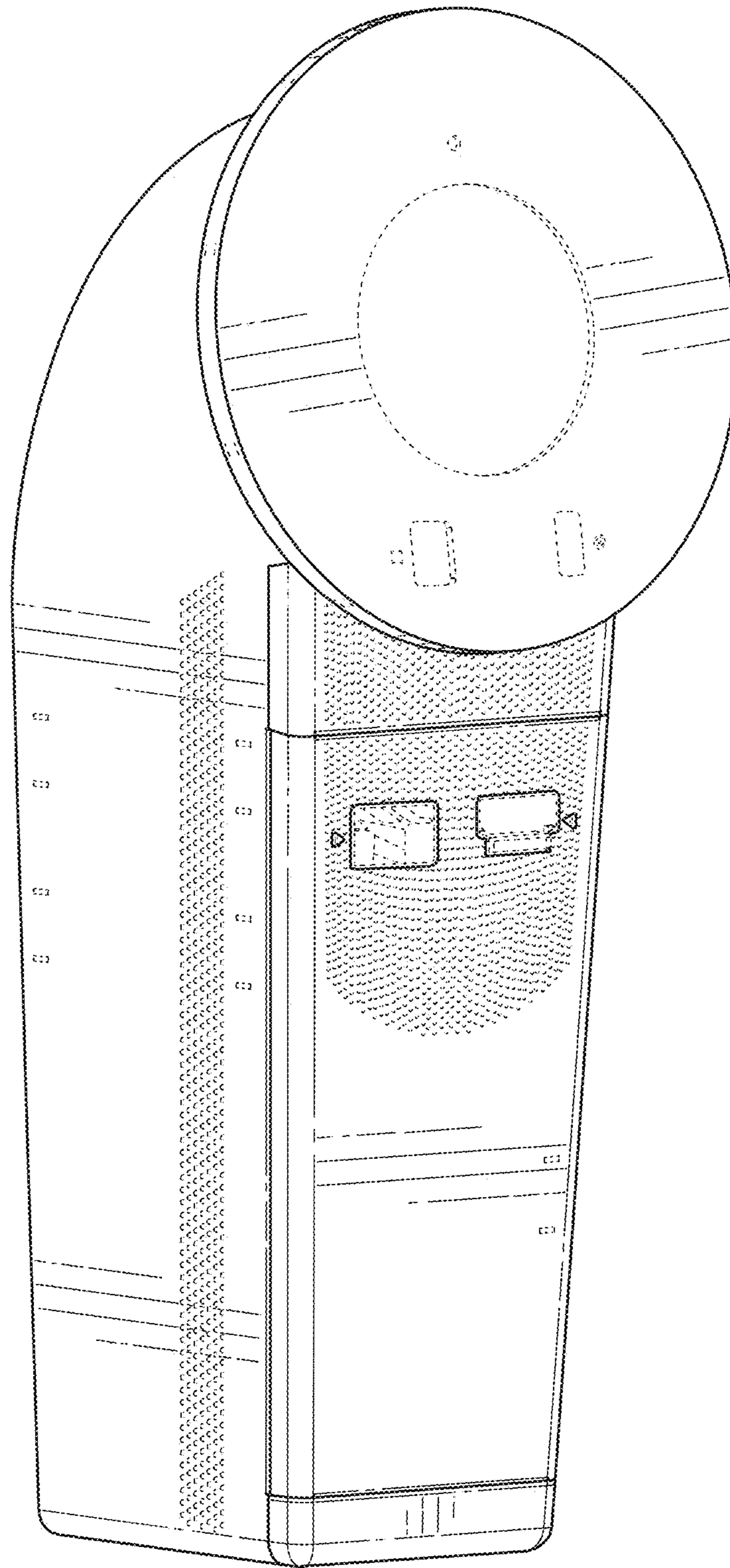


FIG. 1

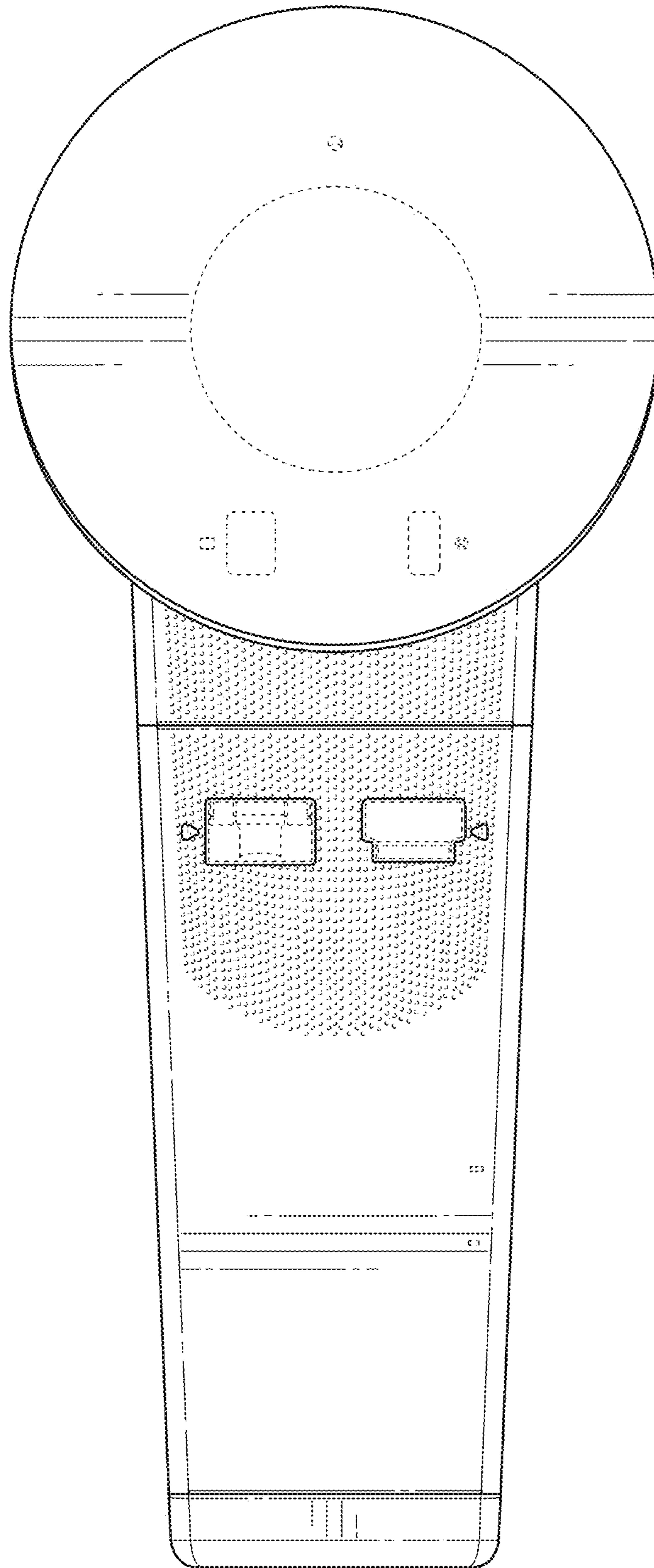


FIG. 2

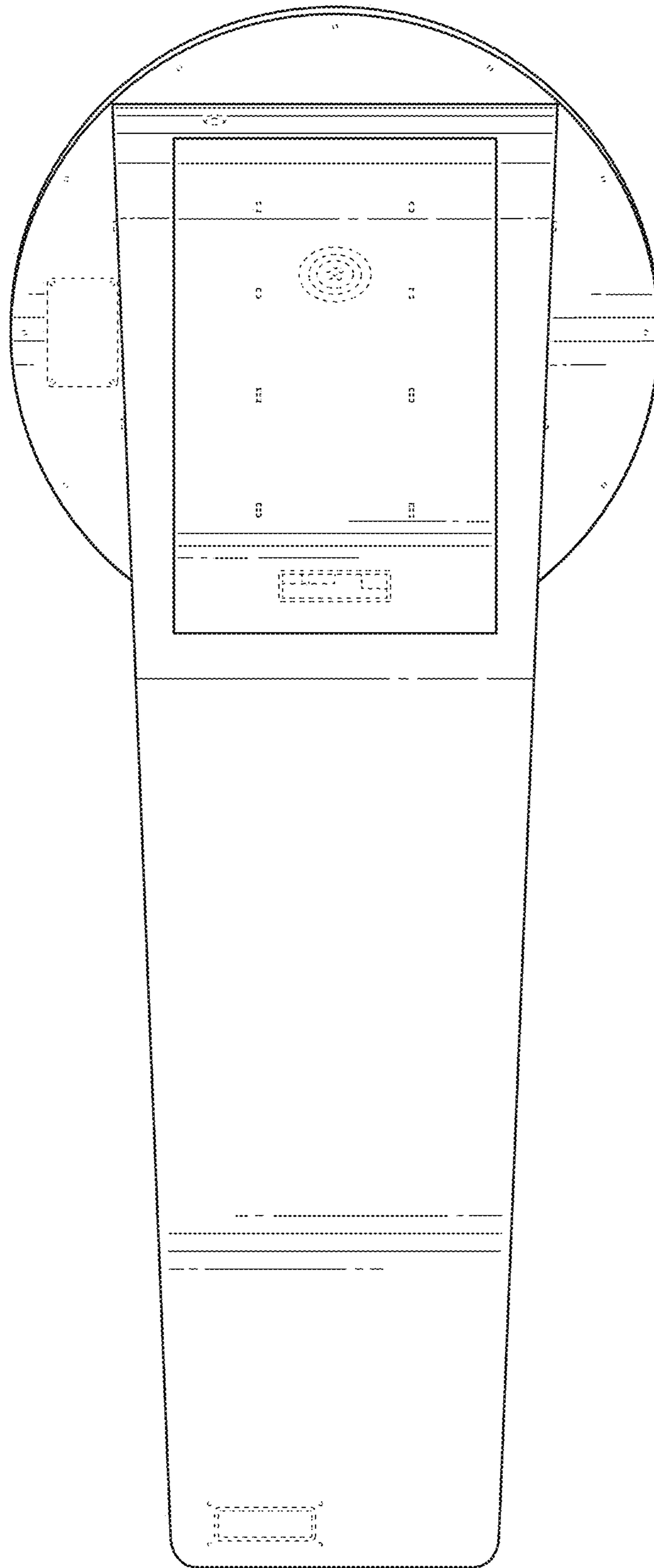


FIG. 3

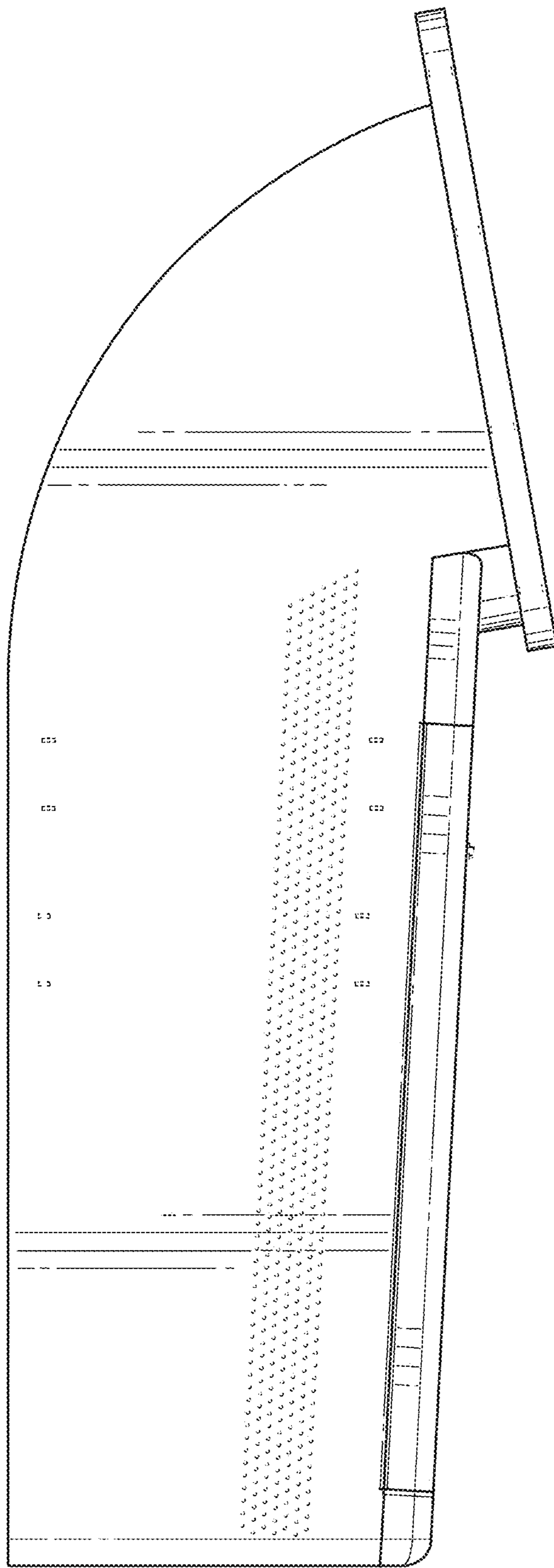


FIG. 4

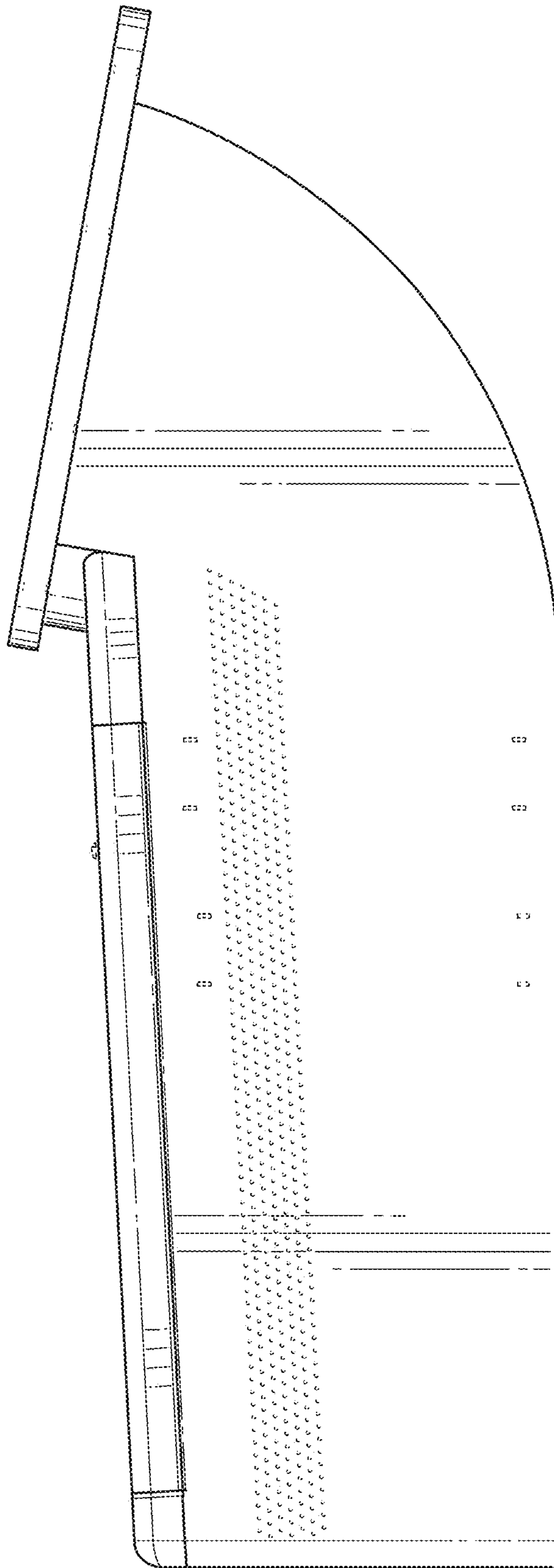


FIG. 5

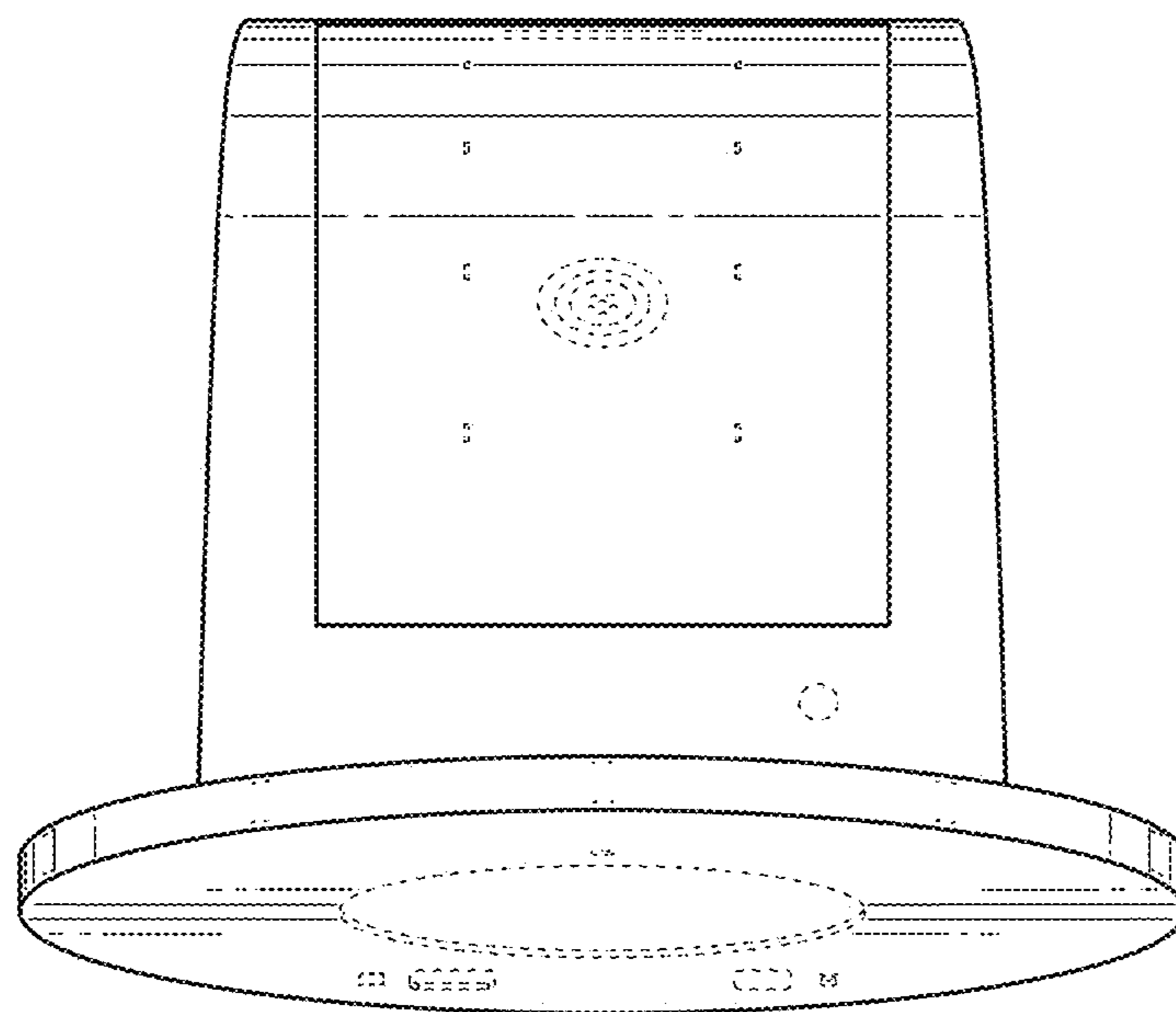


FIG. 6

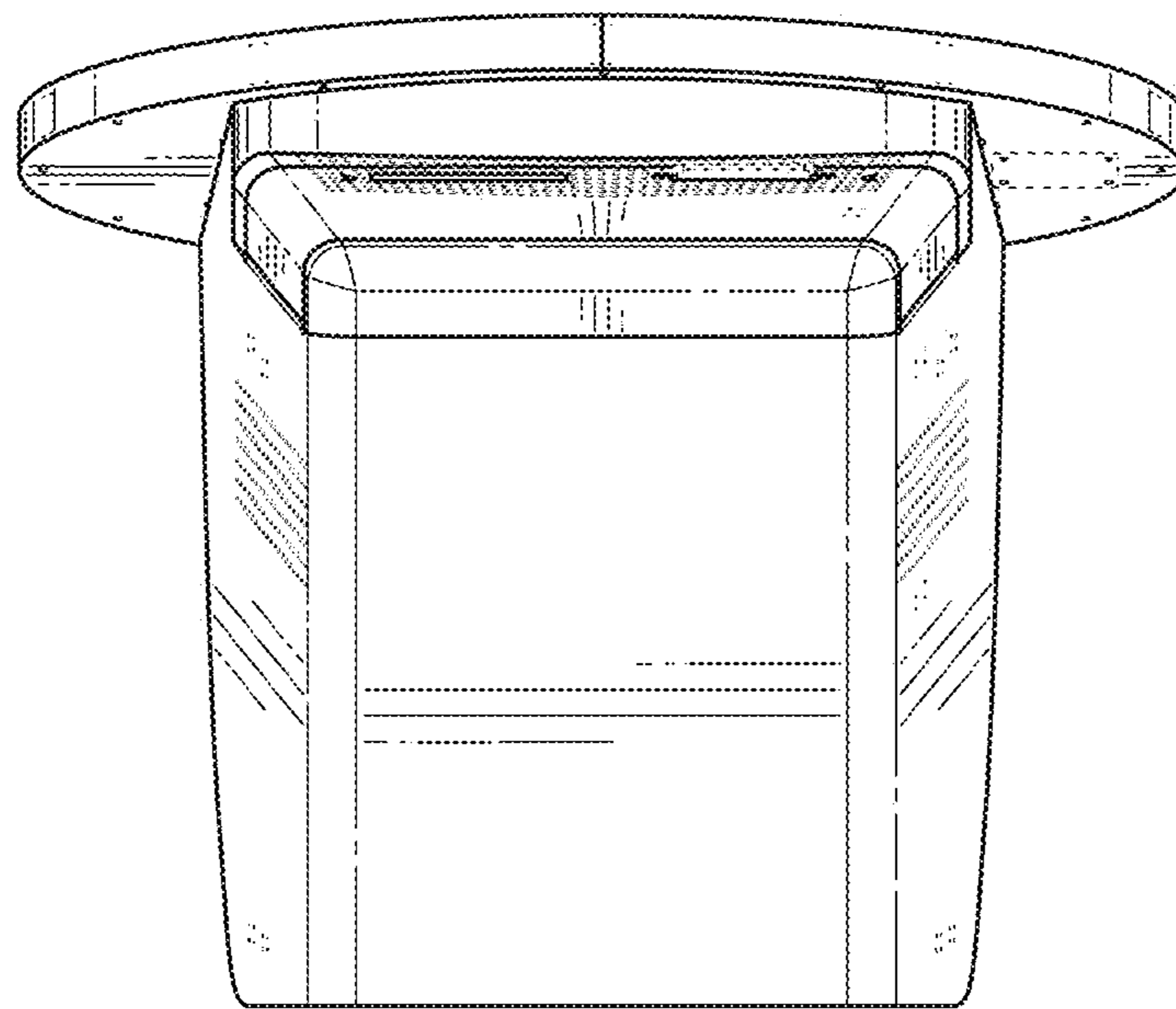


FIG. 7