

US00D946858S

(12) **United States Design Patent**
Bartells

(10) **Patent No.:** **US D946,858 S**

(45) **Date of Patent:** **** Mar. 22, 2022**

(54) **CONTAINER**

(71) Applicant: **Rebecca Bartells**, Whangamata (NZ)

(72) Inventor: **Rebecca Bartells**, Whangamata (NZ)

(**) Term: **15 Years**

(21) Appl. No.: **29/715,307**

(22) Filed: **Nov. 30, 2019**

(30) **Foreign Application Priority Data**

Jul. 8, 2019 (NZ) 426213

(51) **LOC (13) Cl.** **99-00**

(52) **U.S. Cl.**

USPC **D99/1; D9/432**

(58) **Field of Classification Search**

USPC D9/414, 416, 430, 432, 433, 419, 501,
D9/503, 504; D3/272, 273; D6/675,
D6/691; D99/1, 6

CPC . B65D 5/46; B65D 5/542; B65D 5/64; B65D
5/0227; B65D 71/00; A61G 17/0073;
A61G 17/00; A61G 17/007

See application file for complete search history.

(56) **References Cited**

U.S. PATENT DOCUMENTS

- 2,154,218 A * 4/1939 Seifer B65D 5/6667
229/144
- 2,316,469 A * 4/1943 Thor B65D 83/0882
225/48
- 2,782,981 A * 2/1957 Mires B65D 5/4612
229/117.13
- 3,114,190 A * 12/1963 Hegman A61G 17/044
27/12
- 3,432,090 A * 3/1969 Engel B65D 5/64
229/226
- 3,470,593 A * 10/1969 Baron A61G 17/041
27/15

3,924,309 A * 12/1975 Andrus, Jr. A61G 17/028
27/2

3,969,798 A * 7/1976 Sahlin A61G 17/00
27/4

4,156,956 A * 6/1979 Partridge A61G 17/044
27/4

(Continued)

OTHER PUBLICATIONS

Wool coffin wins national innovation competition: Announced [Aug. 30, 2019, online]. Site Visited [Jan. 13, 2021, online]. Available from Internet URL: <https://www.newshub.co.nz/home/rural/2019/08/wool-coffin-product-wins-national-innovation-competition.html> (Year: 2019) (Year: 2019).*

(Continued)

Primary Examiner — Leanne Was-Englehart

(74) *Attorney, Agent, or Firm* — Michael P. Eddy

(57)

CLAIM

The ornamental design for a container, as shown and described.

DESCRIPTION

FIG. 1 is a right front perspective view of a container showing my new design;

FIG. 2 is a right front perspective view of FIG. 1 shown with the lid off;

FIG. 3 is a top front perspective view of FIG. 1;

FIG. 4 is a top rear perspective view thereof;

FIG. 5 is a right side elevation view thereof;

FIG. 6 is a left side elevation view thereof;

FIG. 7 is a top plan view thereof;

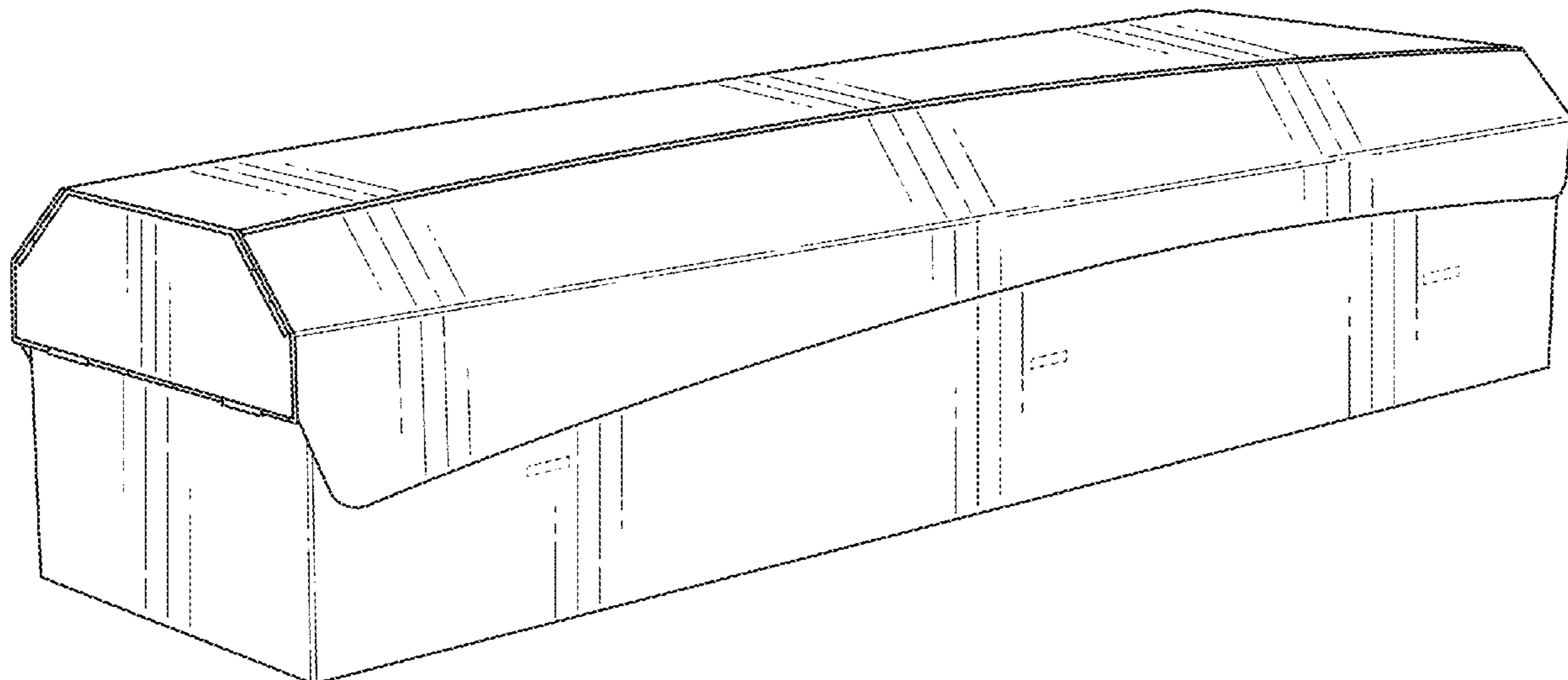
FIG. 8 is a bottom plan view thereof;

FIG. 9 is a front elevation view thereof; and,

FIG. 10 is a rear elevation view thereof.

The broken lines are shown for the purpose of illustrating both parts of the article as well as environmental subject matter. None of the broken lines form part of the claim.

1 Claim, 10 Drawing Sheets



(56)

References Cited

U.S. PATENT DOCUMENTS

4,556,167 A * 12/1985 Fox B65D 5/4283
 229/125.39
 D292,839 S * 11/1987 Brogdon 229/110
 4,800,631 A * 1/1989 Pellmann A61G 17/0136
 27/7
 D306,402 S * 3/1990 Colla D9/414
 D313,936 S * 1/1991 Ferrero D9/782
 D321,647 S * 11/1991 Oldorf D9/734
 5,307,545 A * 5/1994 Stoltz A61G 17/0073
 27/4
 D356,420 S * 3/1995 Etzel D99/1
 5,476,218 A * 12/1995 Reisman B65D 5/18
 206/425
 5,623,752 A * 4/1997 Gillard A61G 17/0073
 27/2
 5,740,592 A * 4/1998 Lau A61G 17/0073
 27/4
 D395,600 S * 6/1998 Borghorst D9/432
 D403,832 S * 1/1999 Gerke D99/1
 5,996,197 A * 12/1999 Jurkovic A61G 17/02
 27/2
 6,269,526 B1 * 8/2001 Bischoff A61G 17/007
 27/35
 6,317,943 B1 * 11/2001 Wood 27/4
 D454,494 S * 3/2002 Bryan D9/430
 D495,252 S * 8/2004 Poole D9/432
 D509,733 S * 9/2005 Jongens D9/420
 D516,421 S * 3/2006 Girondi D9/431
 D553,011 S * 10/2007 Nouvel D9/421
 D657,239 S * 4/2012 Gavrilencov D9/432
 D690,593 S * 10/2013 Kaps D9/432
 D697,790 S * 1/2014 Iwegbu D9/420
 D708,514 S * 7/2014 Kiamilev D9/432
 D728,364 S * 5/2015 Baker D9/432
 D769,115 S * 10/2016 Shimizu D9/432
 D787,324 S * 5/2017 Sotka D9/433
 D801,053 S * 10/2017 Jose D3/321

D811,845 S * 3/2018 Johnson D8/90
 D813,667 S * 3/2018 Shimizu D9/434
 D824,250 S * 7/2018 Struggl D9/430
 10,160,568 B2 * 12/2018 Wiley B65D 5/3628
 D838,477 S * 1/2019 Hedberg D3/262
 10,669,061 B2 * 6/2020 Smalley B65D 5/542
 D893,997 S * 8/2020 Ryan D9/430
 D895,419 S * 9/2020 Huang D9/420
 2003/0093886 A1 * 5/2003 Chen A61G 17/007
 27/4
 2003/0167611 A1 * 9/2003 Belanger A61G 17/0073
 27/4
 2005/0050700 A1 * 3/2005 Davis A61G 17/04
 27/10
 2009/0172931 A1 * 7/2009 Rosato A61G 17/004
 27/4
 2009/0249593 A1 * 10/2009 Kemmerer A61G 17/041
 27/4
 2010/0132171 A1 * 6/2010 Jianping A61G 17/0073
 27/4
 2012/0042488 A1 * 2/2012 Hsu A61G 17/0073
 27/4
 2012/0047700 A1 * 3/2012 Kelly A61G 17/044
 27/2
 2012/0073098 A1 * 3/2012 Centenari A61G 17/041
 27/4
 2015/0173989 A1 * 6/2015 Mitchell A61G 17/0106
 27/2
 2016/0354270 A1 * 12/2016 Cox A61G 17/0073
 2017/0014293 A1 * 1/2017 Socha A61G 17/0407

OTHER PUBLICATIONS

No frills: the coffin company that wants to bury you in cardboard: Announced [Feb. 27, 2020, online]. Site Visited [Jan. 13, 2021, online]. Available from Internet URL: <https://thespinoff.co.nz/business/28-12-2020/no-frills-the-coffin-company-that-wants-to-bury-you-in-cardboard-2/> (Year: 2020) (Year: 2020).*

* cited by examiner

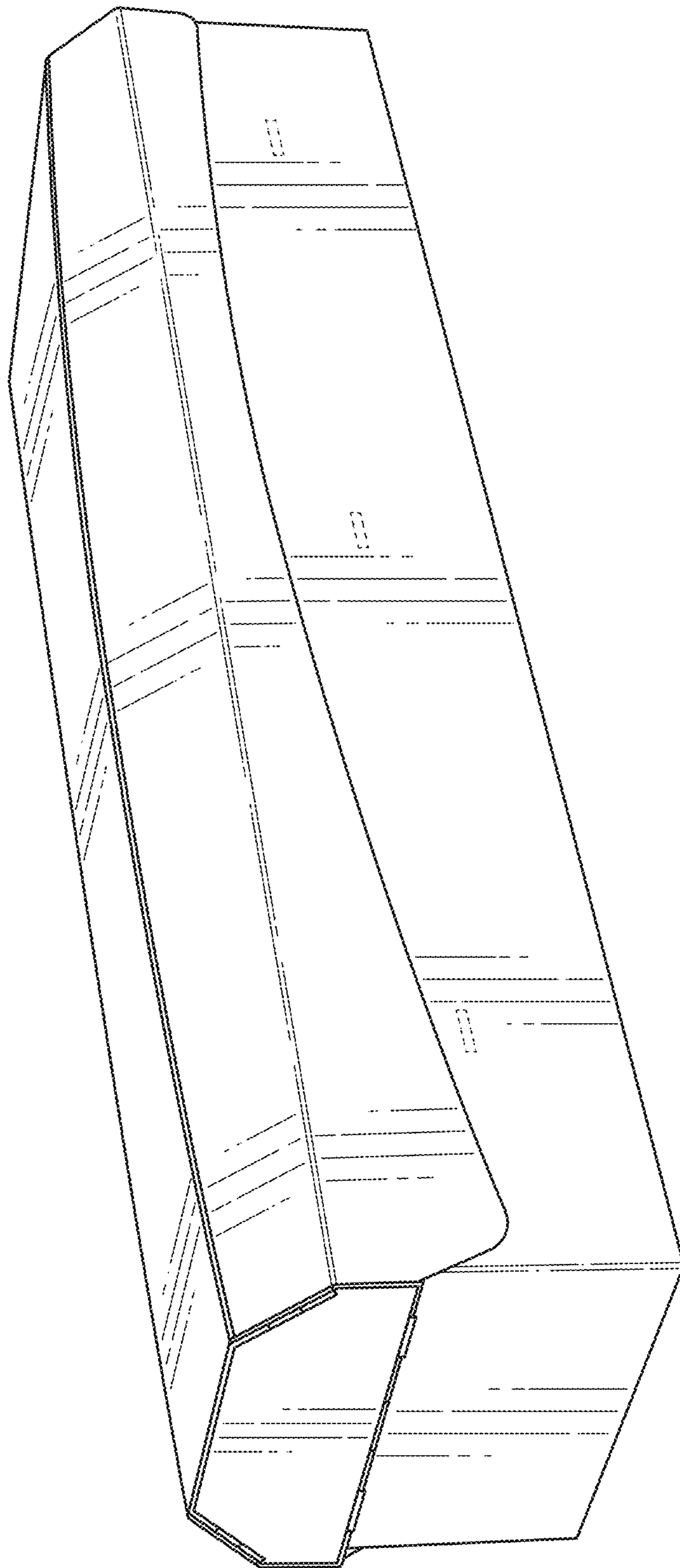


FIG. 1

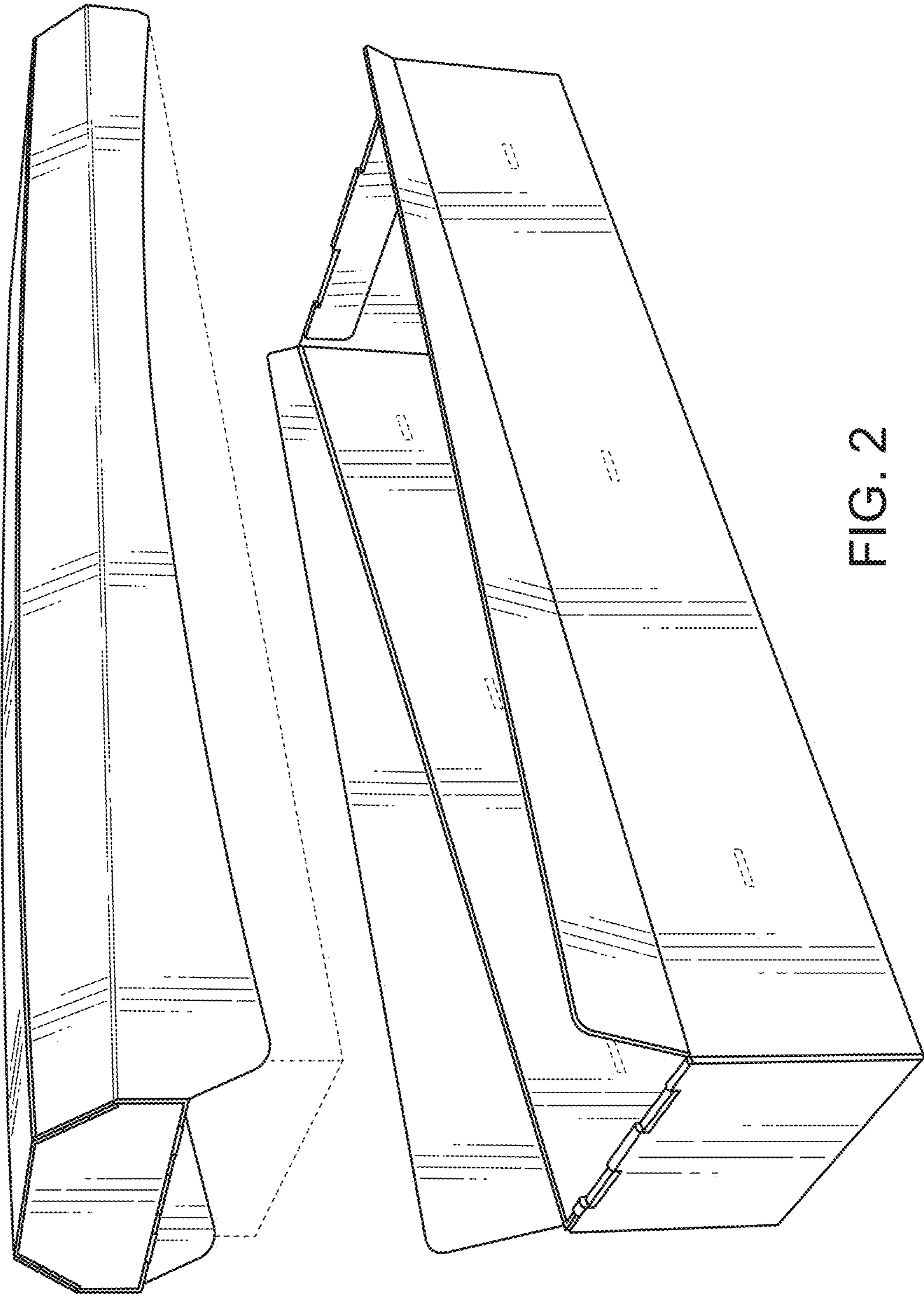


FIG. 2

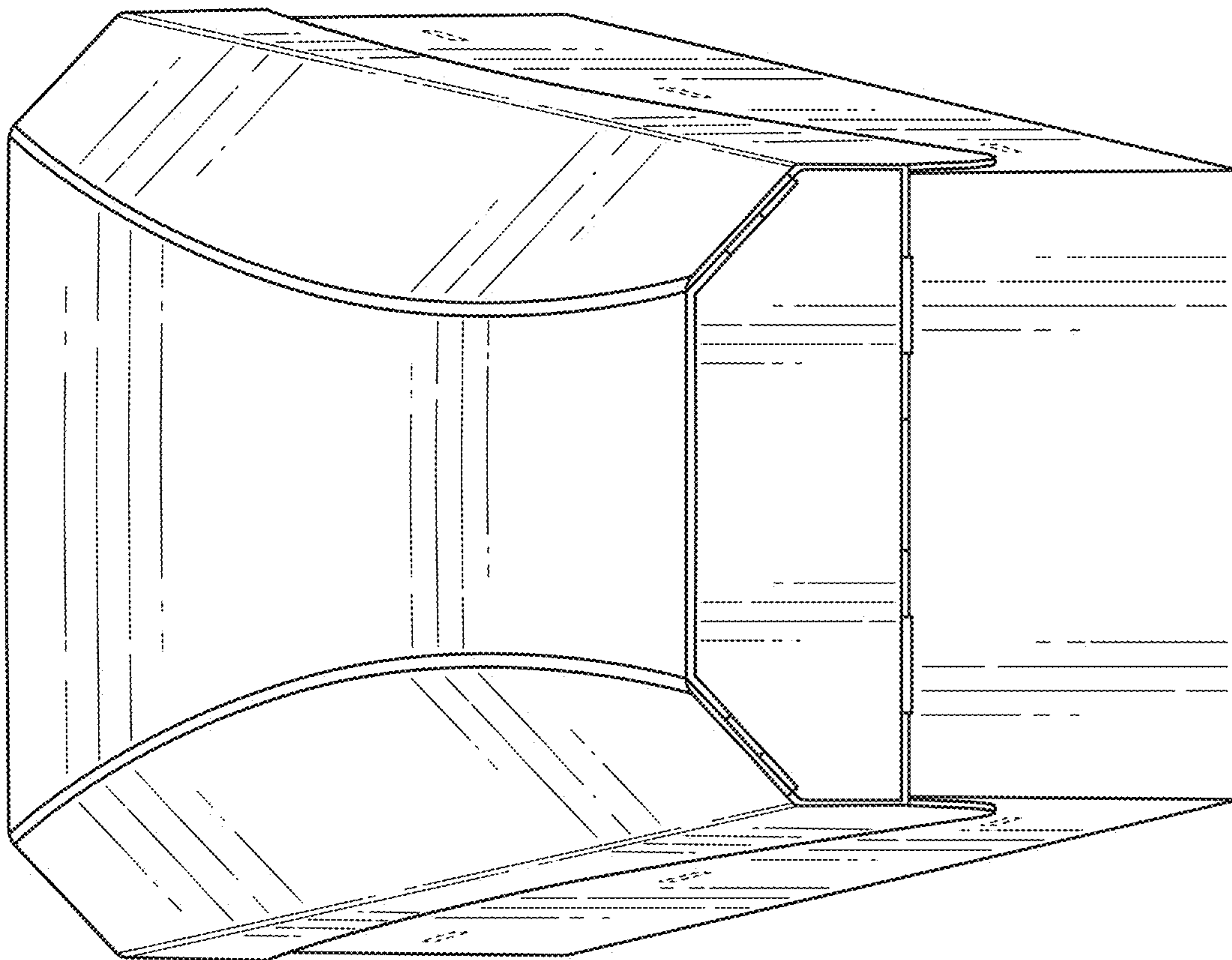


FIG. 3

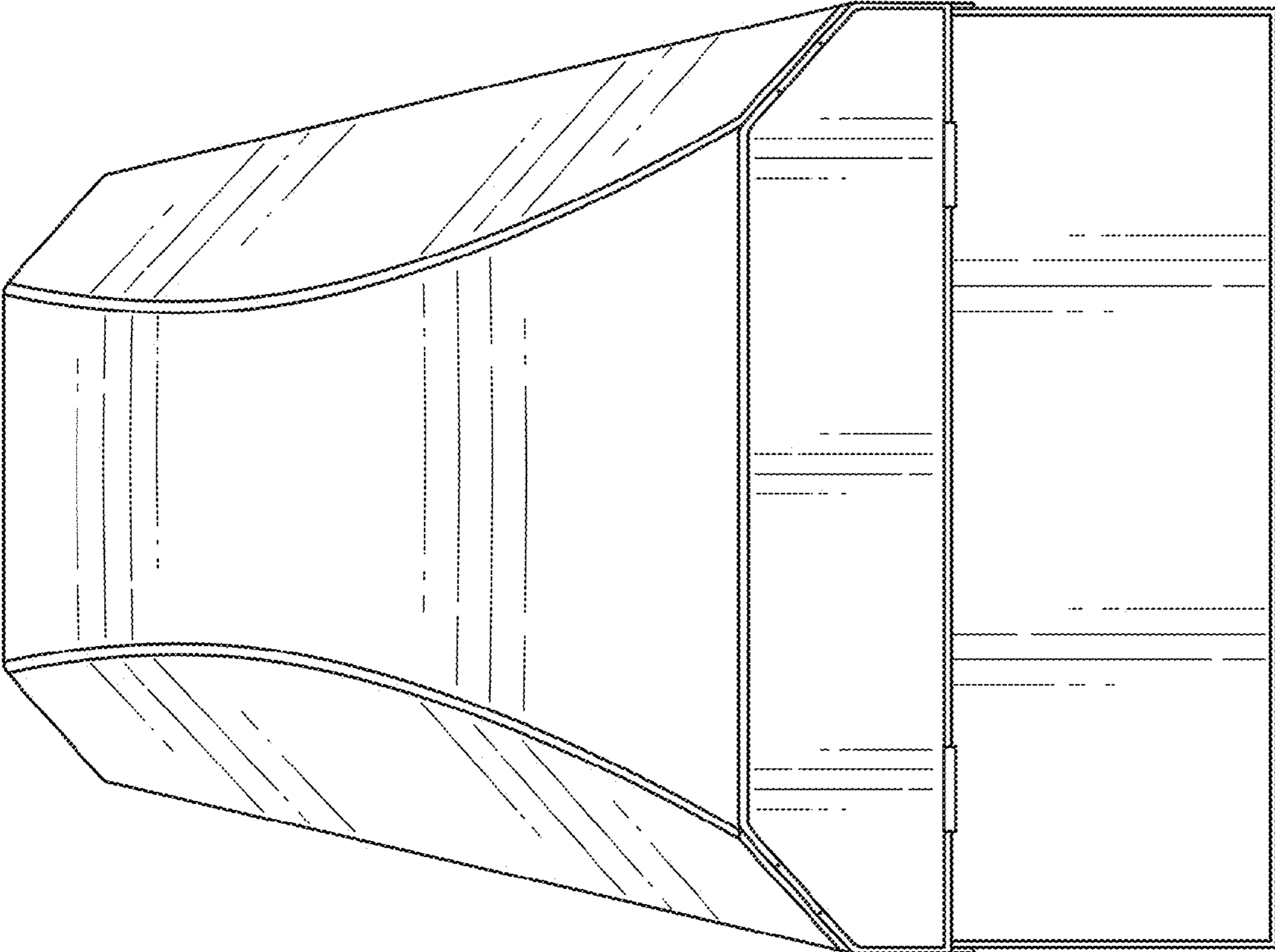


FIG. 4

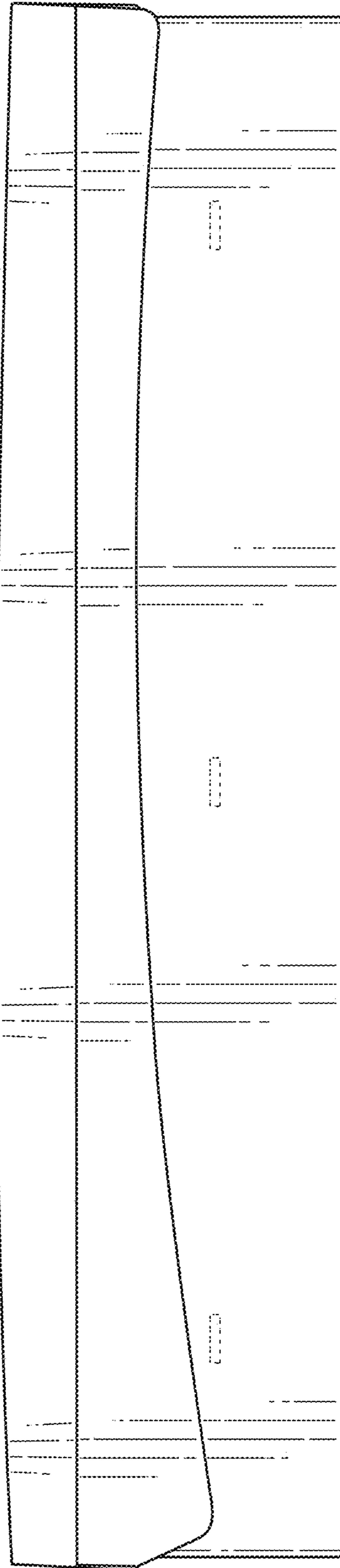


FIG. 5

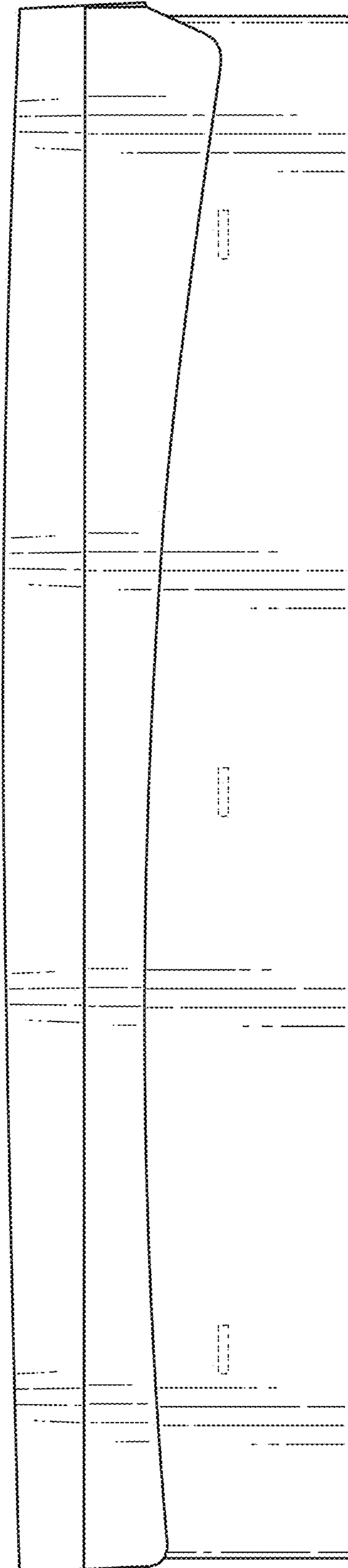


FIG. 6

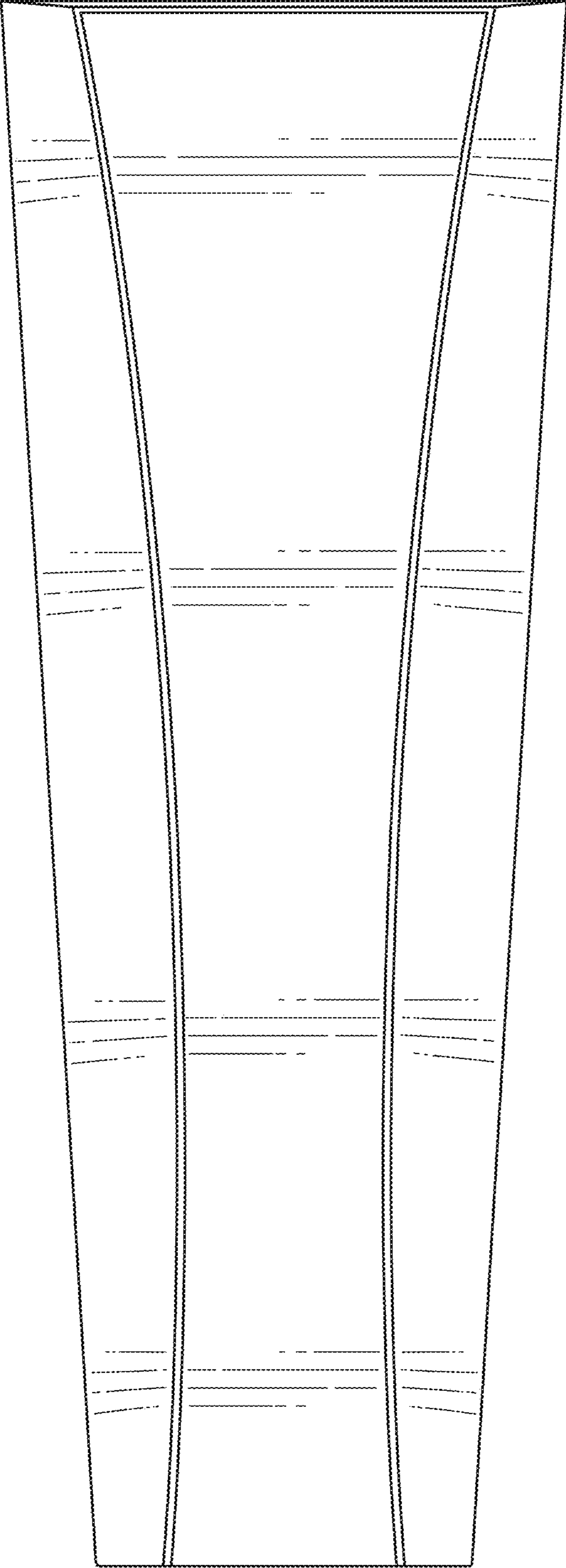


FIG. 7

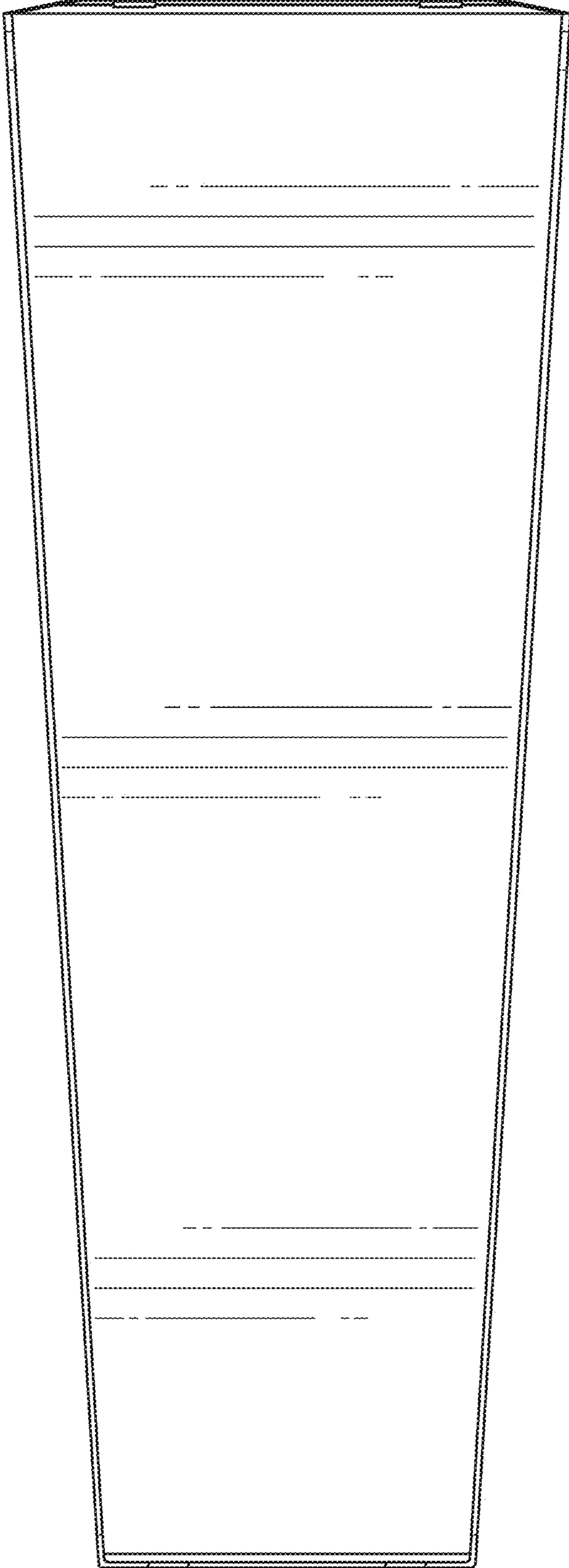


FIG. 8

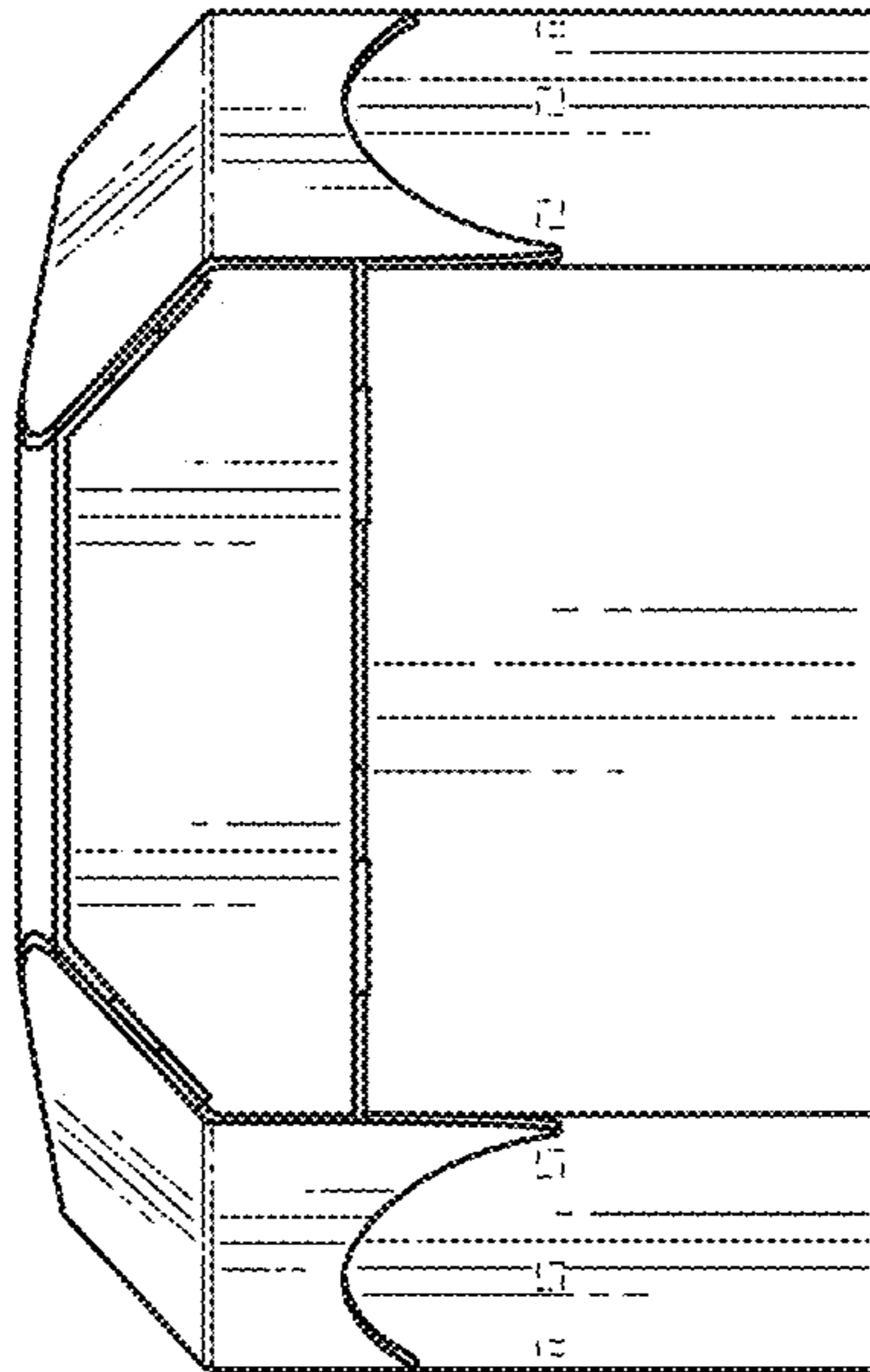


FIG. 9

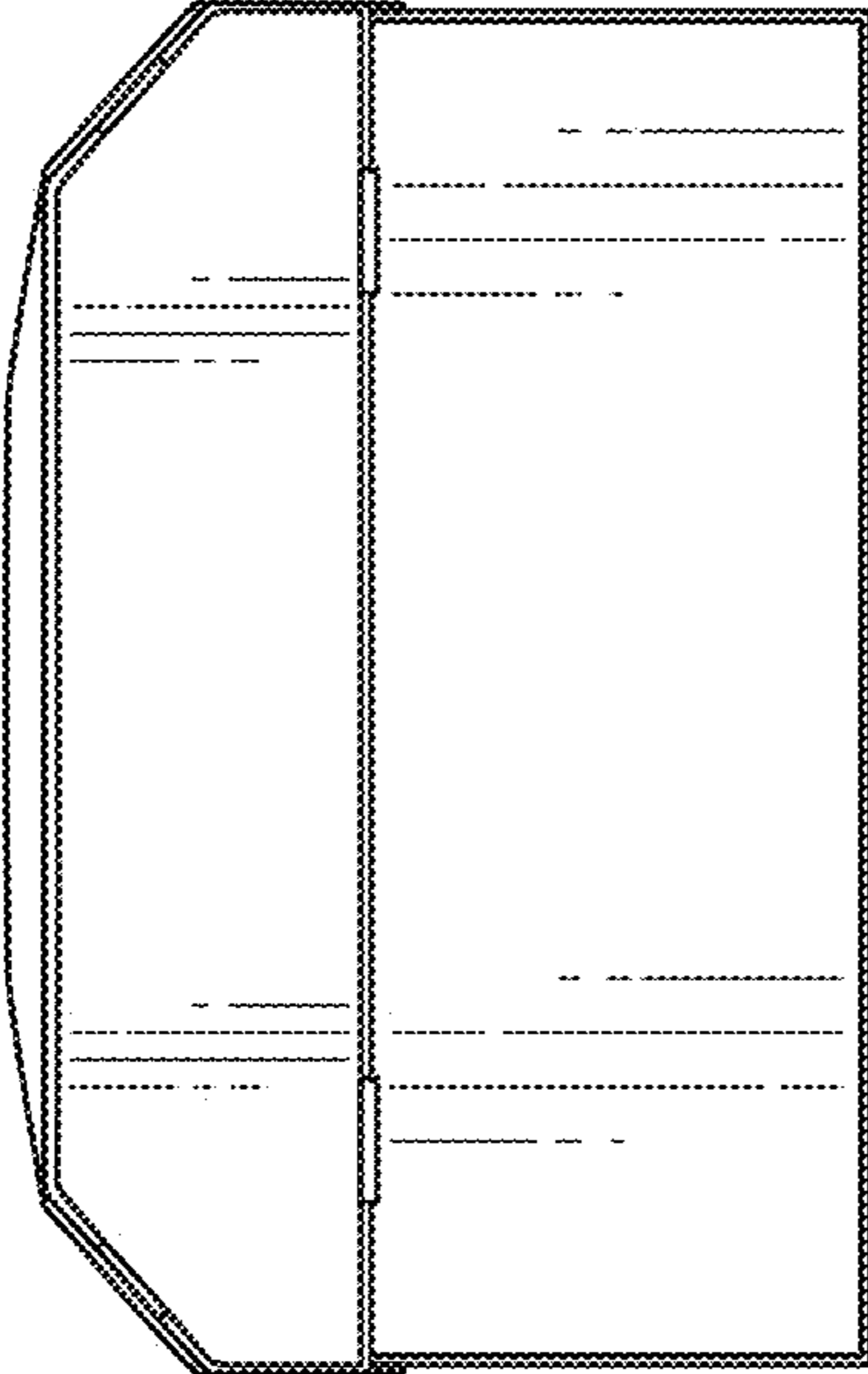


FIG. 10