

US00D946857S

(12) **United States Design Patent** (10) **Patent No.:** **US D946,857 S**  
**Marshall, III** (45) **Date of Patent:** **\*\* Mar. 22, 2022**

(54) **UTILITY CART**

(71) Applicant: **Your Crawl Space, Inc.**,  
McClellanville, SC (US)

(72) Inventor: **Henry Bennie Marshall, III**, Pawleys  
Island, SC (US)

(73) Assignee: **YOUR CRAWL SPACE, INC.**,  
McClellanville, SC (US)

(\*\*) Term: **15 Years**

(21) Appl. No.: **29/743,204**

(22) Filed: **Jul. 20, 2020**

(51) **LOC (13) Cl.** ..... **12-02**

(52) **U.S. Cl.**  
USPC ..... **D34/12**

(58) **Field of Classification Search**  
USPC ..... D34/12, 14, 17, 20, 21, 23, 27, 25, 19  
CPC ..... B62B 1/18; B62B 1/20; B62B 1/2208;  
B62B 1/002; B62B 1/10; B62B 1/14;  
B62B 1/204; B62B 1/22; B62B 1/00;  
B62B 1/16; B62B 1/206; B62B 5/00;  
B62B 5/067; B62B 5/068; B62B 5/0083;  
B62B 5/062; B62B 5/006

See application file for complete search history.

(56) **References Cited**

**U.S. PATENT DOCUMENTS**

2,433,246	A *	12/1947	Stelzer	.....	B62B 1/18 280/8
4,778,191	A *	10/1988	Heisson	.....	B62B 1/18 220/501
D535,802	S *	1/2007	Wittkowski	.....	D34/12
D723,762	S *	3/2015	Treadwell	.....	D34/17
D737,534	S *	8/2015	Kinberger	.....	D34/12
D752,307	S *	3/2016	Wyse	.....	D34/16
D767,232	S *	9/2016	Blitzer	.....	D34/27
2012/0139201	A1 *	6/2012	Chauza	.....	B62B 1/16 280/47.19

2016/0031355	A1 *	2/2016	Medina, Sr.	.....	B62B 1/20 298/1 B
2018/0099686	A1 *	4/2018	Ruiz	.....	B62B 13/06
2020/0369307	A1 *	11/2020	Dopf	.....	B62B 13/18

**OTHER PUBLICATIONS**

Yourcrawlspace.com Dec. 14, 2021, Crawl haul, <https://www.yourcrawlspace.com/products/crawl-haul>, (Year: 2021).\*  
Photograph Crawl space Caddy, <https://forum.nachi.org/t/crawlspace-caddy/192529>, <http://www.nachi.org/bbsystem/usrimages/D/DSC03383.JPG> (Year: 2005).\*  
JLC The Journal of light construction Dec. 14, 2021, Crawl Space Caddy, [https://www.jlconline.com/tools/fastening-tools/power-tools/crawlspace-caddy\\_o](https://www.jlconline.com/tools/fastening-tools/power-tools/crawlspace-caddy_o) (Year: 2012).\*

\* cited by examiner

*Primary Examiner* — Cynthia Ramirez  
(74) *Attorney, Agent, or Firm* — Kim and Lahey Law Firm, LLC; Seann P. Lahey

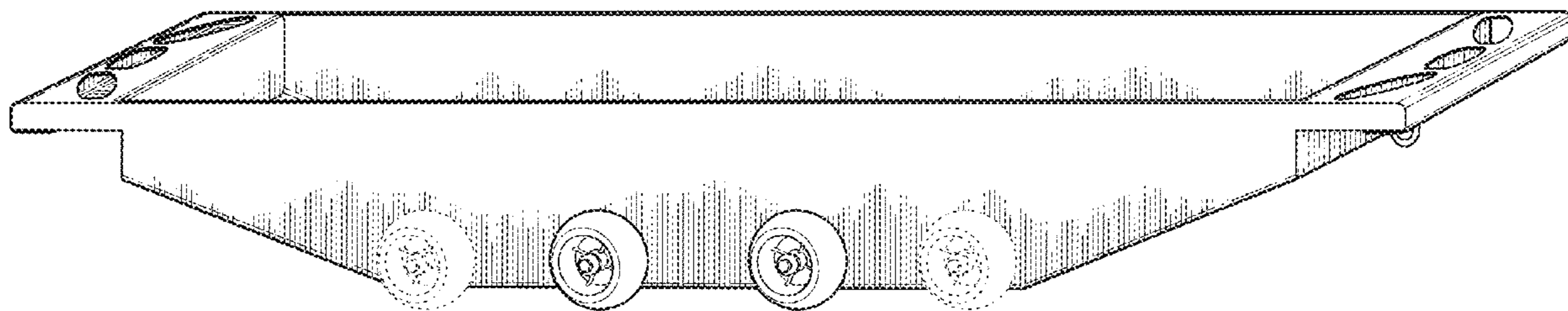
(57) **CLAIM**

The ornamental design for a utility cart, as shown and described.

**DESCRIPTION**

FIG. 1 is a top perspective view of the utility cart showing my new design;  
FIG. 2 is a bottom perspective view thereof;  
FIG. 3 is a first end elevational view thereof;  
FIG. 4 is the other end elevational view thereof;  
FIG. 5 is a left side elevational view thereof;  
FIG. 6 is a right side elevational view thereof;  
FIG. 7 is a top plan view thereof; and,  
FIG. 8 is a bottom plan view thereof.  
The broken lines in the figures show environment and form no part of the claimed design.

**1 Claim, 4 Drawing Sheets**



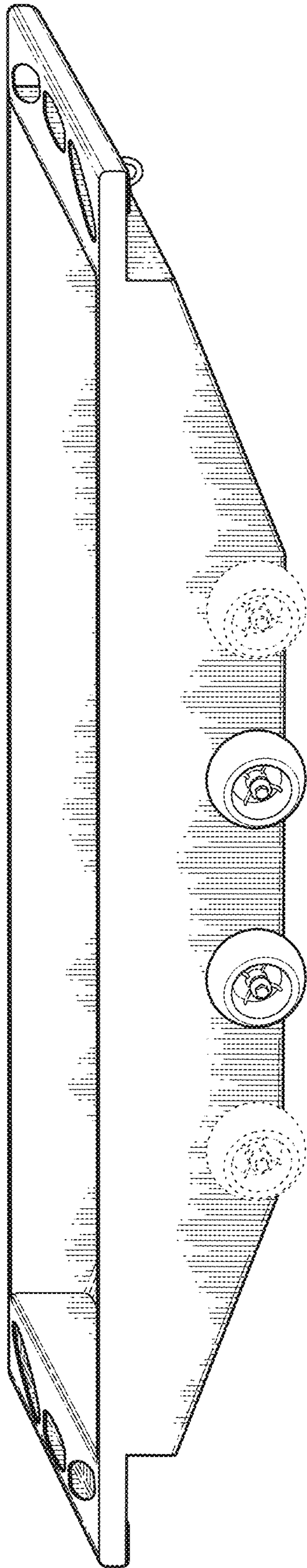


Fig. 1

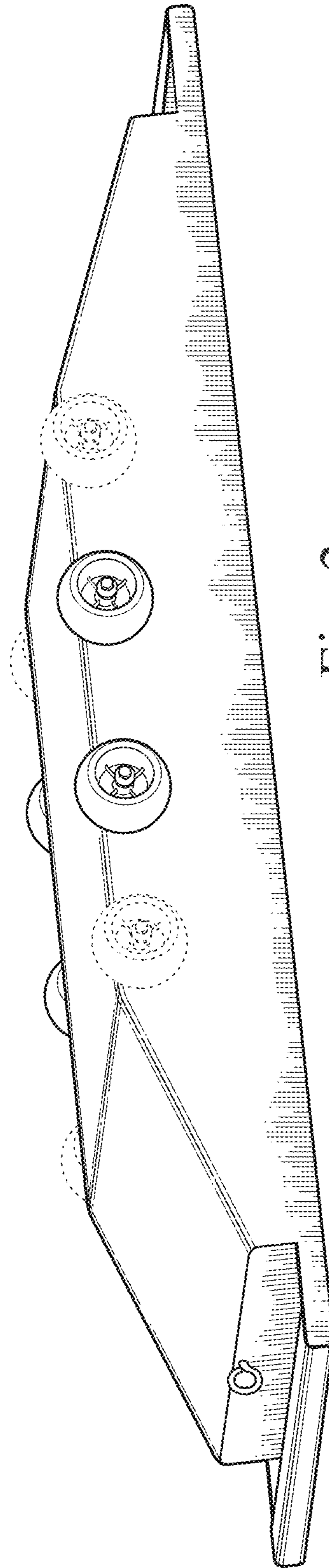


Fig. 2

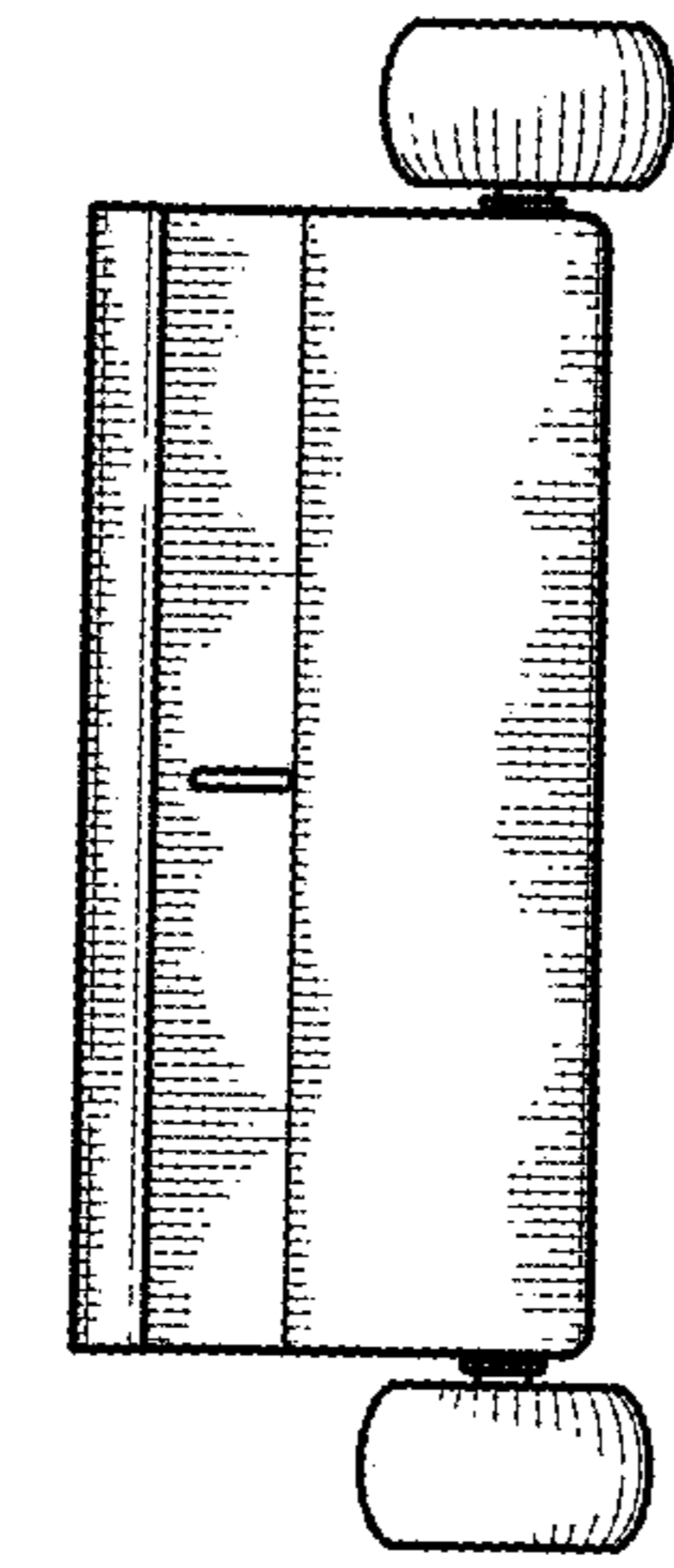


Fig. 4

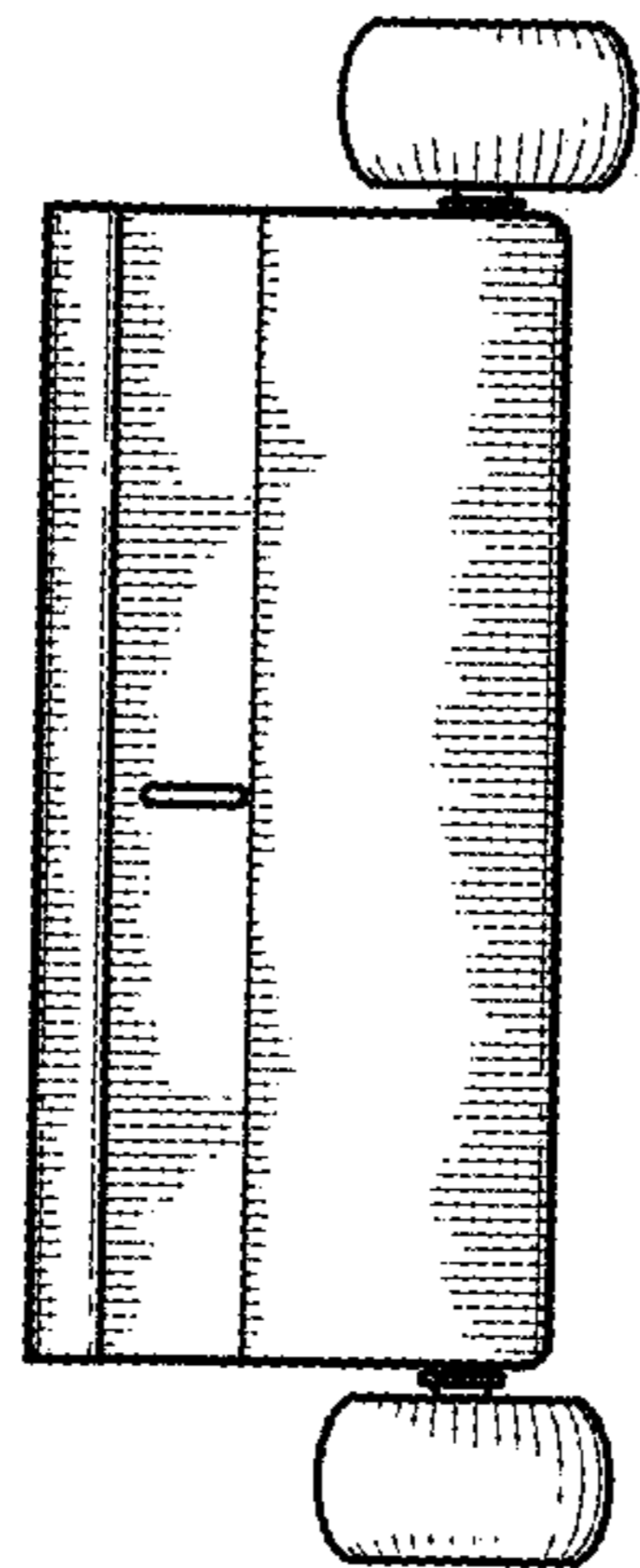


Fig. 3



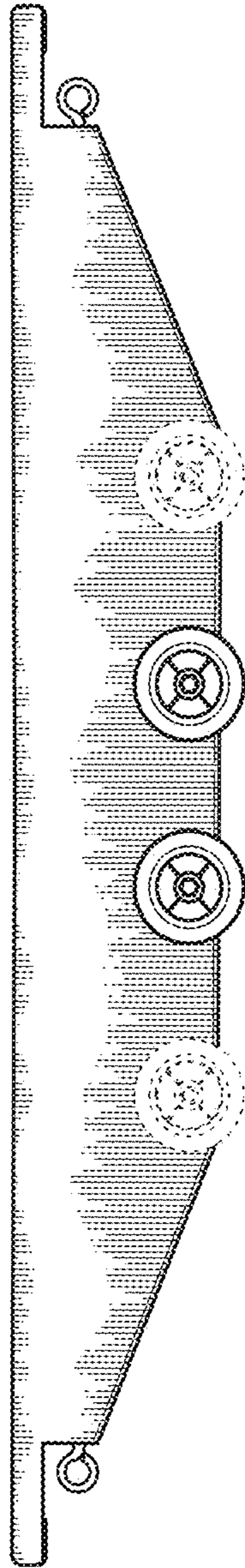


Fig. 5

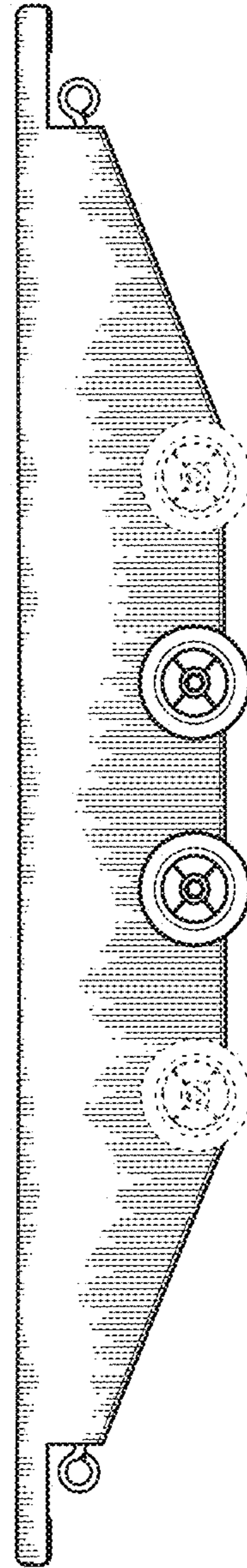


Fig. 6

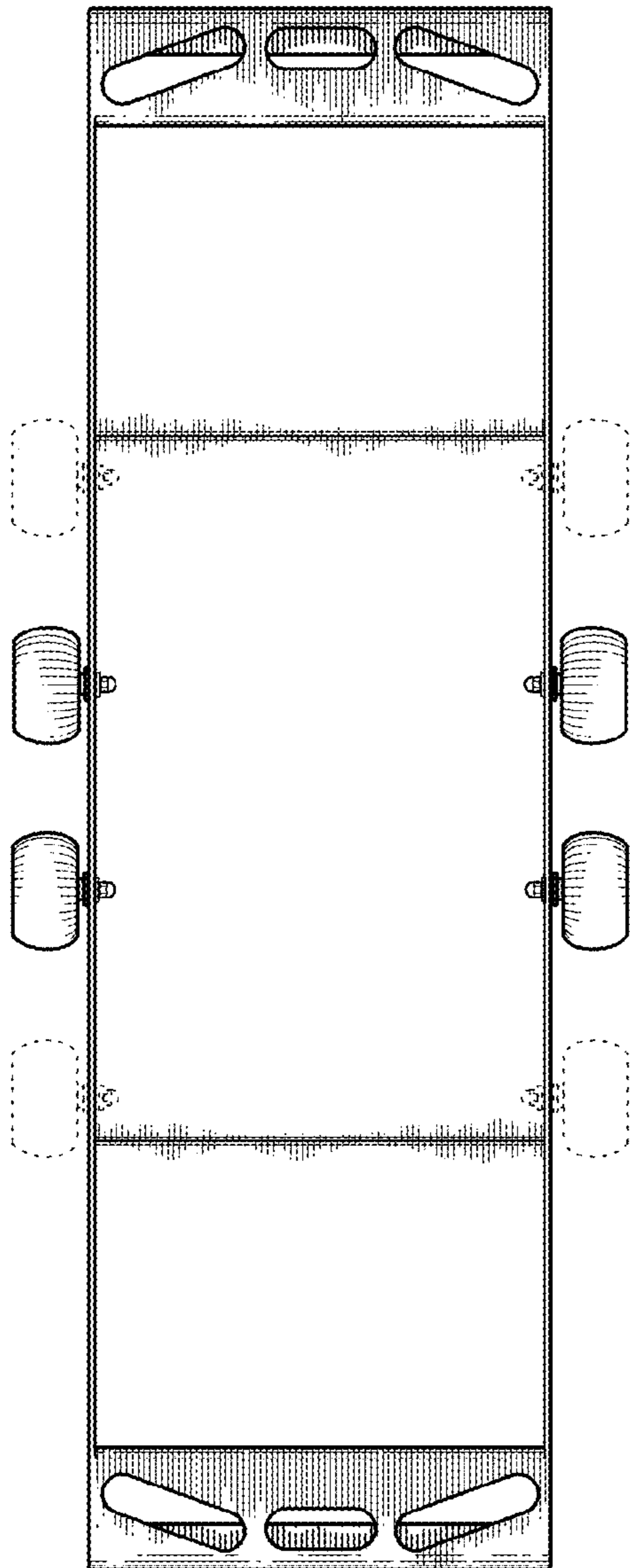


Fig. 7

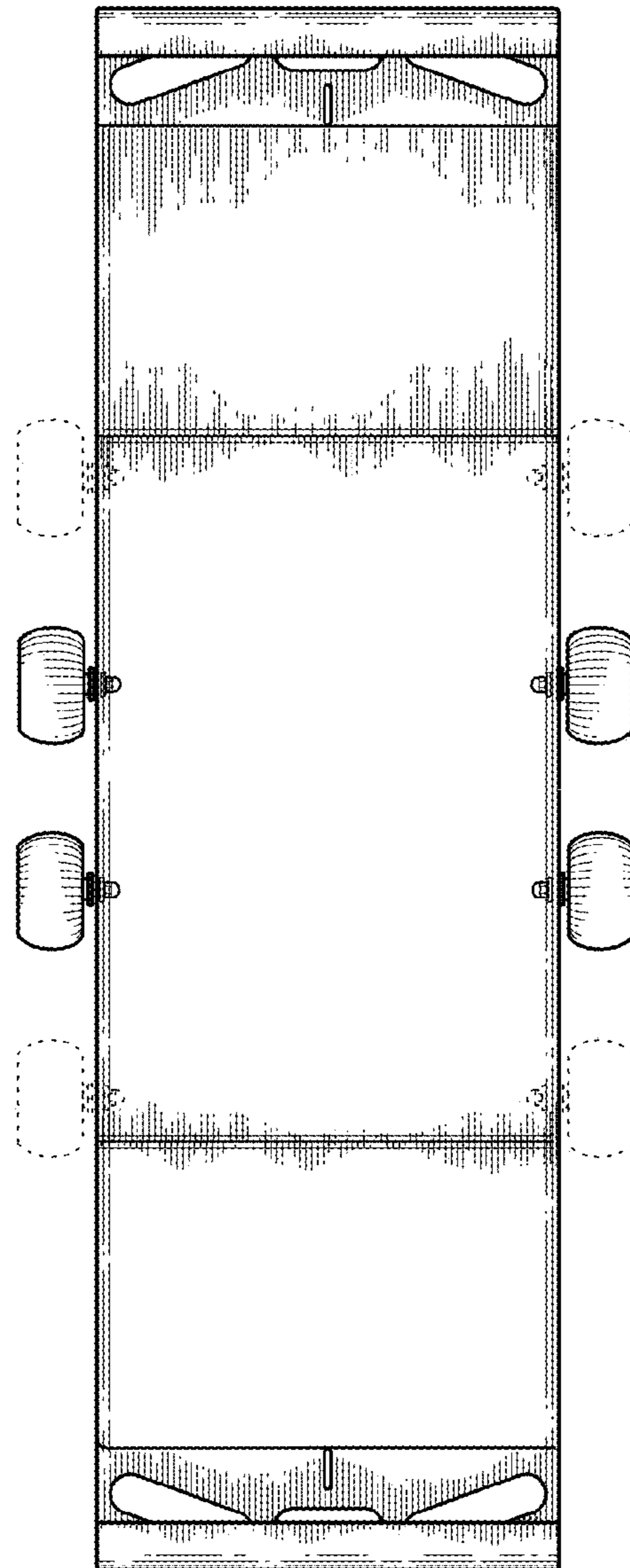


Fig. 8