

US00D946855S

(12) **United States Design Patent**
Park et al.

(10) **Patent No.:** **US D946,855 S**

(45) **Date of Patent:** **** Mar. 22, 2022**

(54) **IRON**

D843,674 S * 3/2019 Buckley D32/70
D855,272 S * 7/2019 Sillett D32/70
D924,519 S * 7/2021 Bae D32/70

(Continued)

(71) Applicant: **LG ELECTRONICS INC.**, Seoul (KR)

Primary Examiner — Austin Murphy

(72) Inventors: **Kyutae Park**, Seoul (KR); **Jaeil Bae**, Seoul (KR); **Kyungah Lee**, Seoul (KR); **Hoil Jeon**, Seoul (KR); **Youngsoo Ha**, Seoul (KR)

(74) *Attorney, Agent, or Firm* — Birch, Stewart, Kolasch & Birch, LLP

(73) Assignee: **LG ELECTRONICS INC.**, Seoul (KR)

(57) **CLAIM**

We claim the ornamental design for an iron, as shown and described.

(**) Term: **15 Years**

DESCRIPTION

(21) Appl. No.: **29/724,834**

FIG. 1 is a perspective view of an iron showing the new design:

(22) Filed: **Feb. 19, 2020**

FIG. 2 is a front elevation view thereof;

(30) **Foreign Application Priority Data**

Aug. 20, 2019 (KR) 30-2019-0039778

FIG. 3 is a rear elevation view thereof;

(51) **LOC (13) Cl.** **07-05**

FIG. 4 is a left-side elevation view thereof;

(52) **U.S. Cl.**
USPC **D32/70**

FIG. 5 is a right-side elevation view thereof;

(58) **Field of Classification Search**
USPC D32/70, 71, 73, 72, 69, 68, 35; D8/71,
D8/373, 349, 396, 30; D15/144, 144.2;
D28/73; 219/231, 242, 229; 165/80.1;
126/414

FIG. 6 is a top plan view thereof;

FIG. 7 is a bottom plan view thereof;

FIG. 8 is a perspective view of an iron showing a state that a head of the steamer connected to a main body is bent forward;

CPC D06F 75/34; D06F 75/08; D06F 75/38;
D06F 75/00; F22B 27/14; B08B 3/006

See application file for complete search history.

FIG. 9 is a front elevation view thereof;

FIG. 10 is a rear elevation view thereof;

FIG. 11 is a left-side elevation view thereof;

FIG. 12 is a right-side elevation view thereof;

FIG. 13 is a top plan view thereof;

FIG. 14 is a bottom plan view thereof;

FIG. 15 is a perspective view of an iron showing a state that one side of a head of the steamer connected to a main body is lifted up;

FIG. 16 is a front elevation view thereof;

FIG. 17 is a rear elevation view thereof;

FIG. 18 is a left-side elevation view thereof;

FIG. 19 is a right-side elevation view thereof;

FIG. 20 is a top plan view thereof; and,

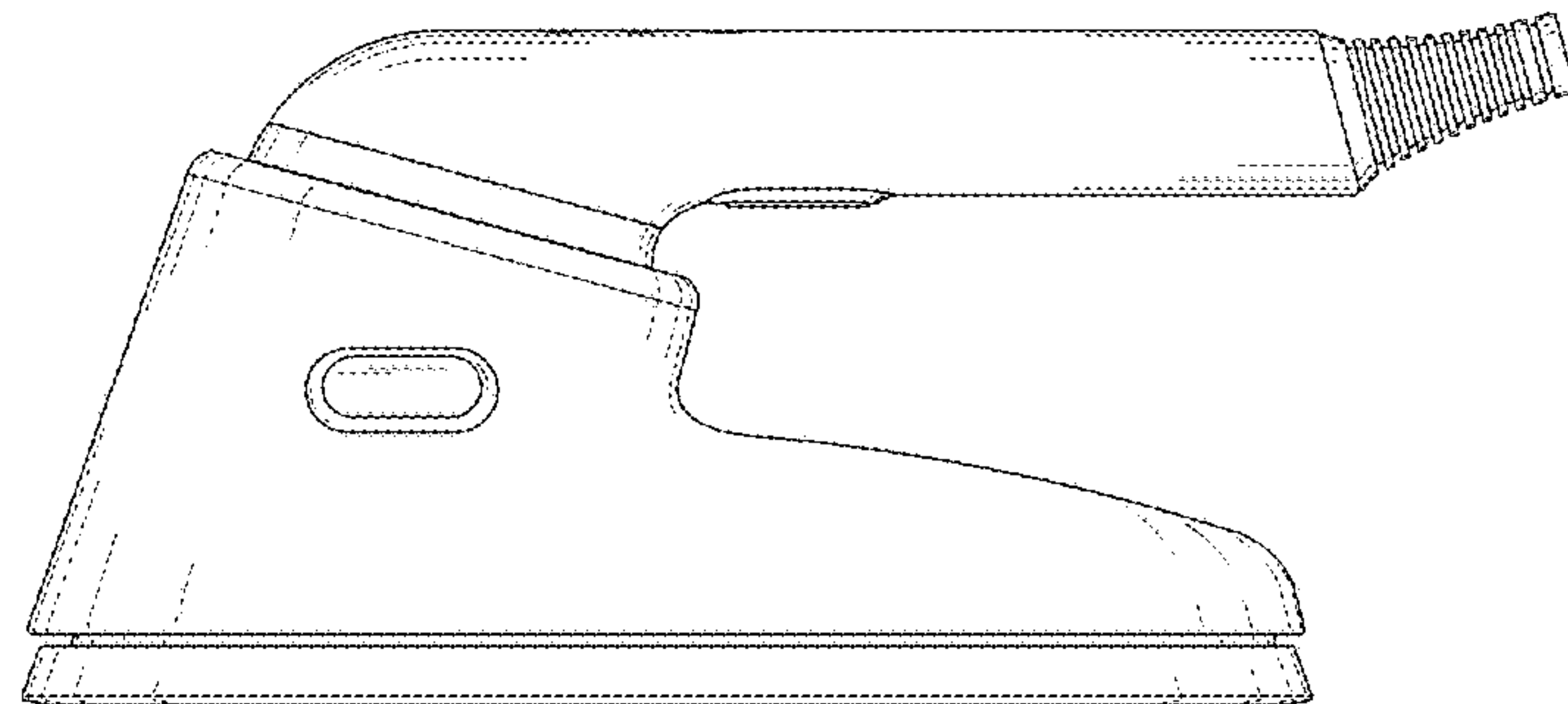
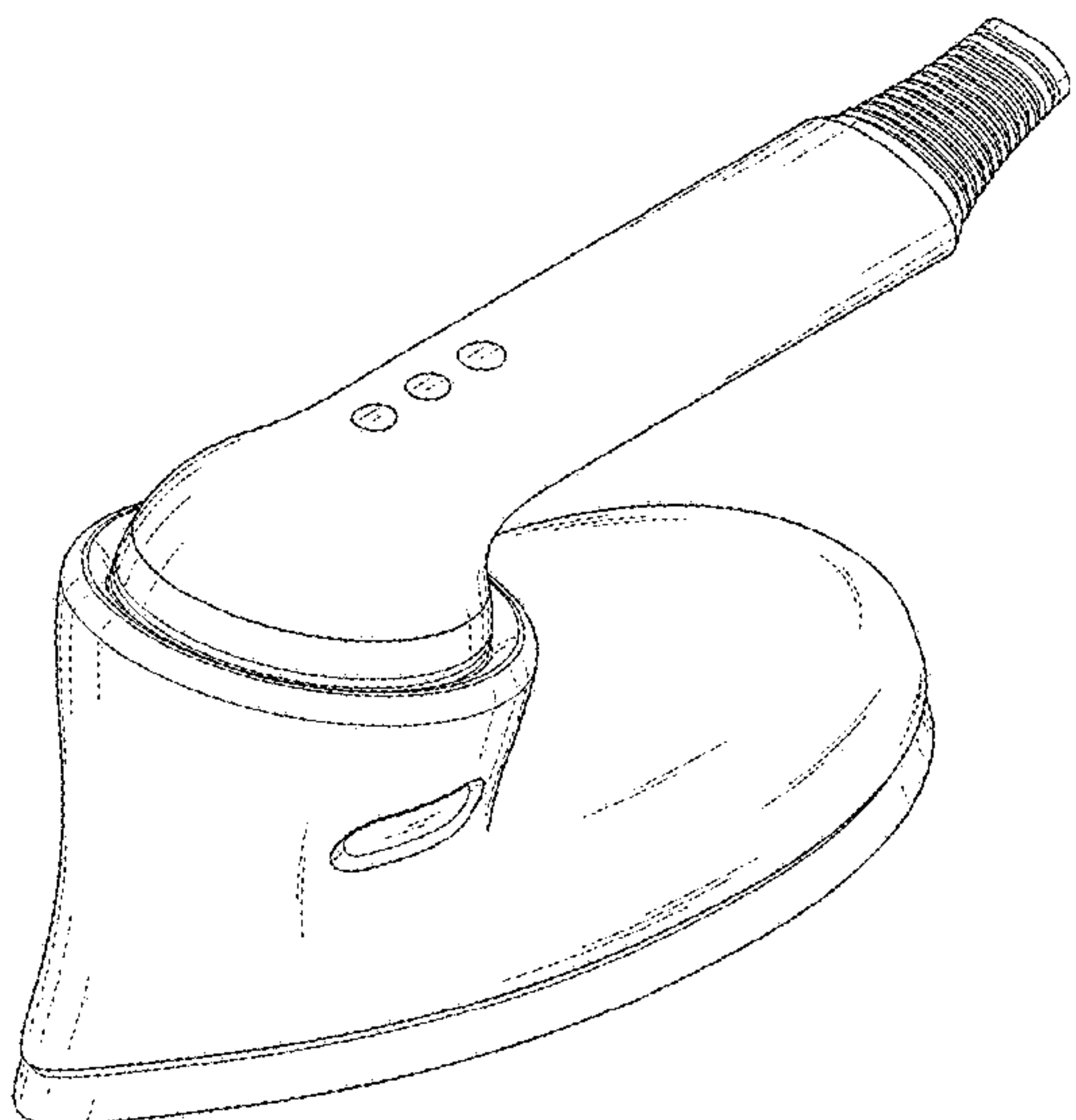
FIG. 21 is a bottom plan view thereof.

(56) **References Cited**

U.S. PATENT DOCUMENTS

D491,705 S * 6/2004 Mishan D32/35
D594,617 S * 6/2009 Yeung D32/69
D714,007 S * 9/2014 La Rovere D32/70
D739,630 S * 9/2015 Luang D32/70
D762,935 S * 8/2016 Dadon D32/70
D789,010 S * 6/2017 Koehler D32/70

1 Claim, 21 Drawing Sheets



(56)

References Cited

U.S. PATENT DOCUMENTS

D925,150 S * 7/2021 Park D32/70
D925,152 S * 7/2021 Park D32/70

* cited by examiner

FIG. 1

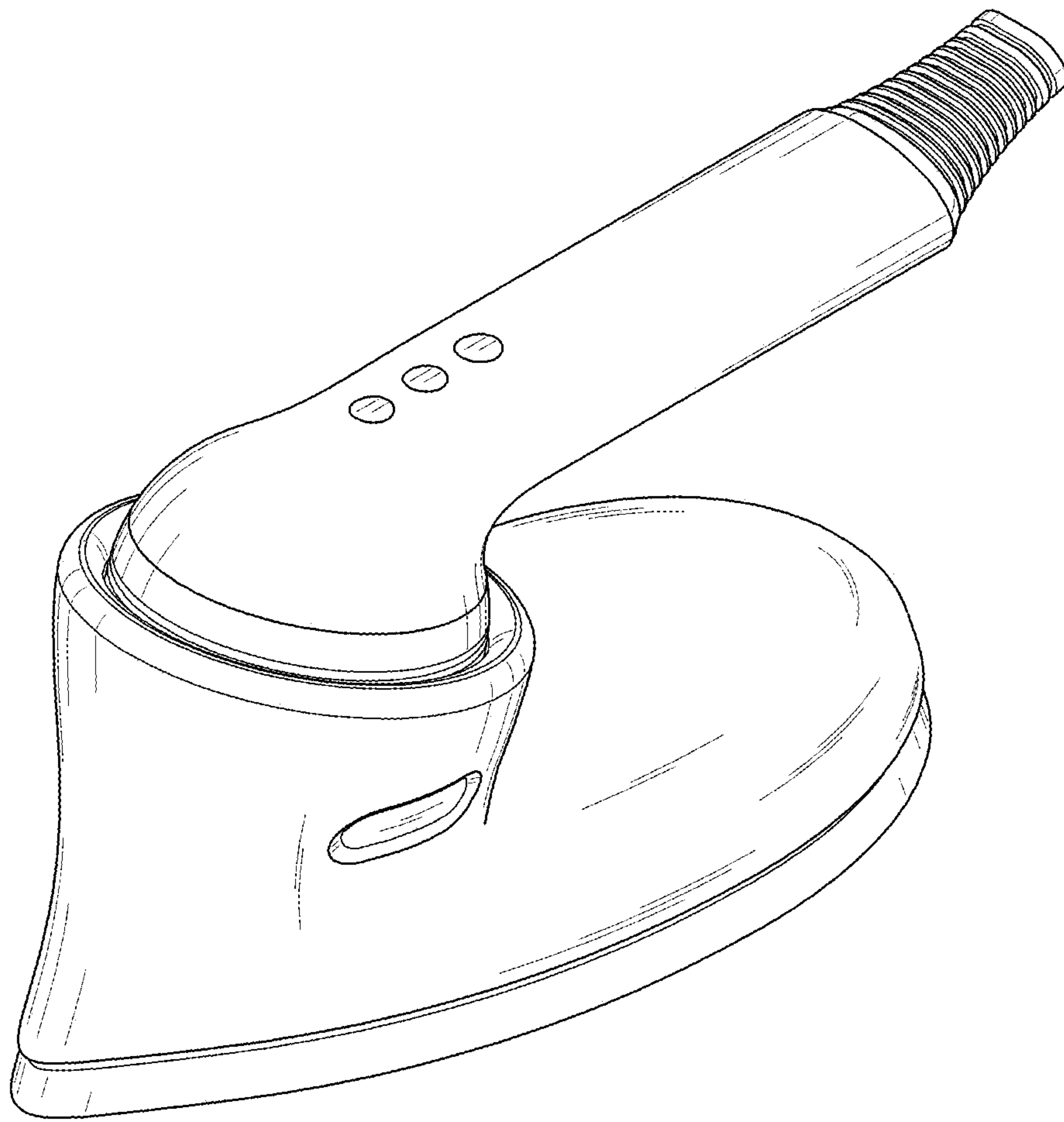


FIG. 2

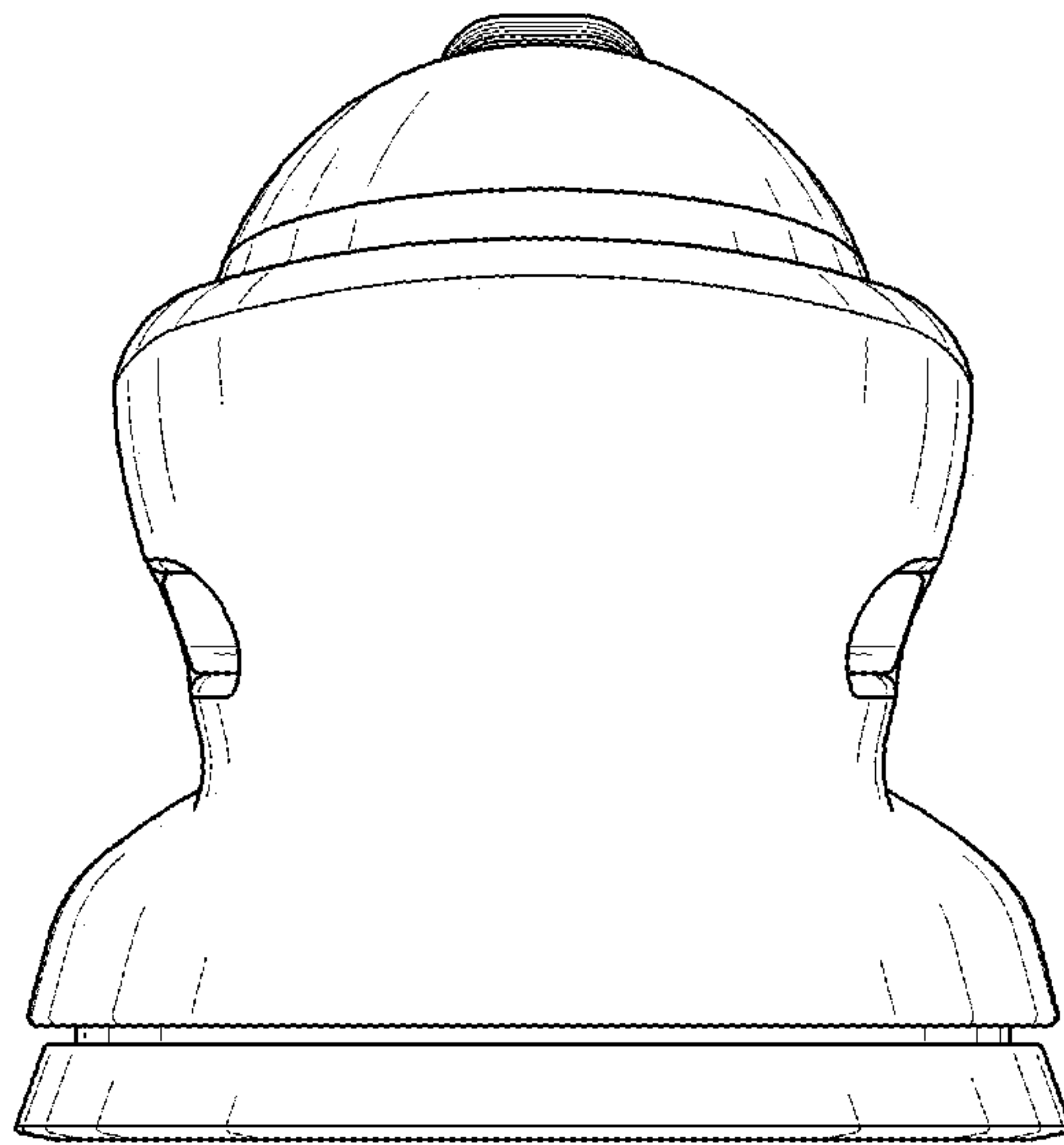


FIG. 3

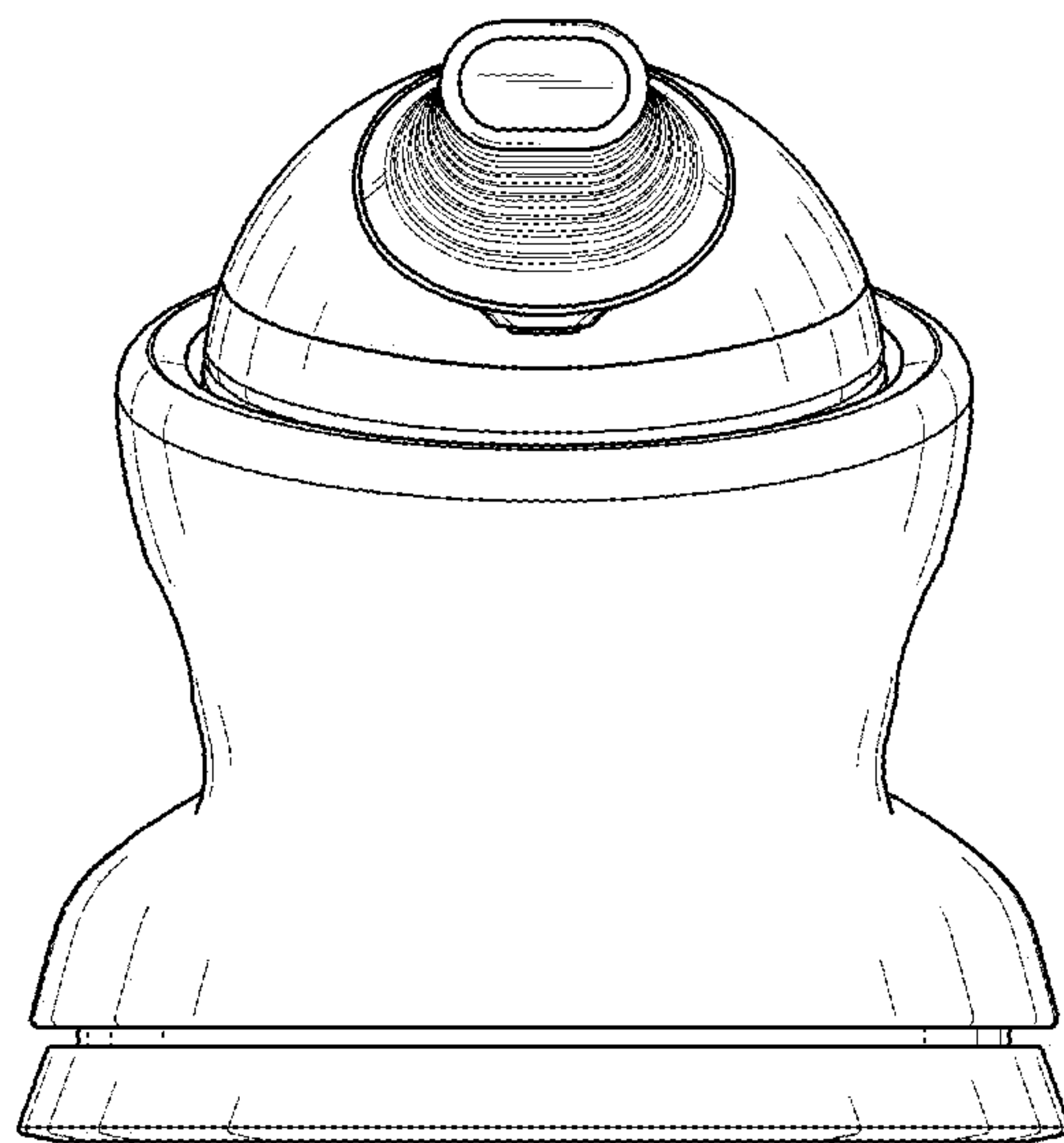


FIG. 4

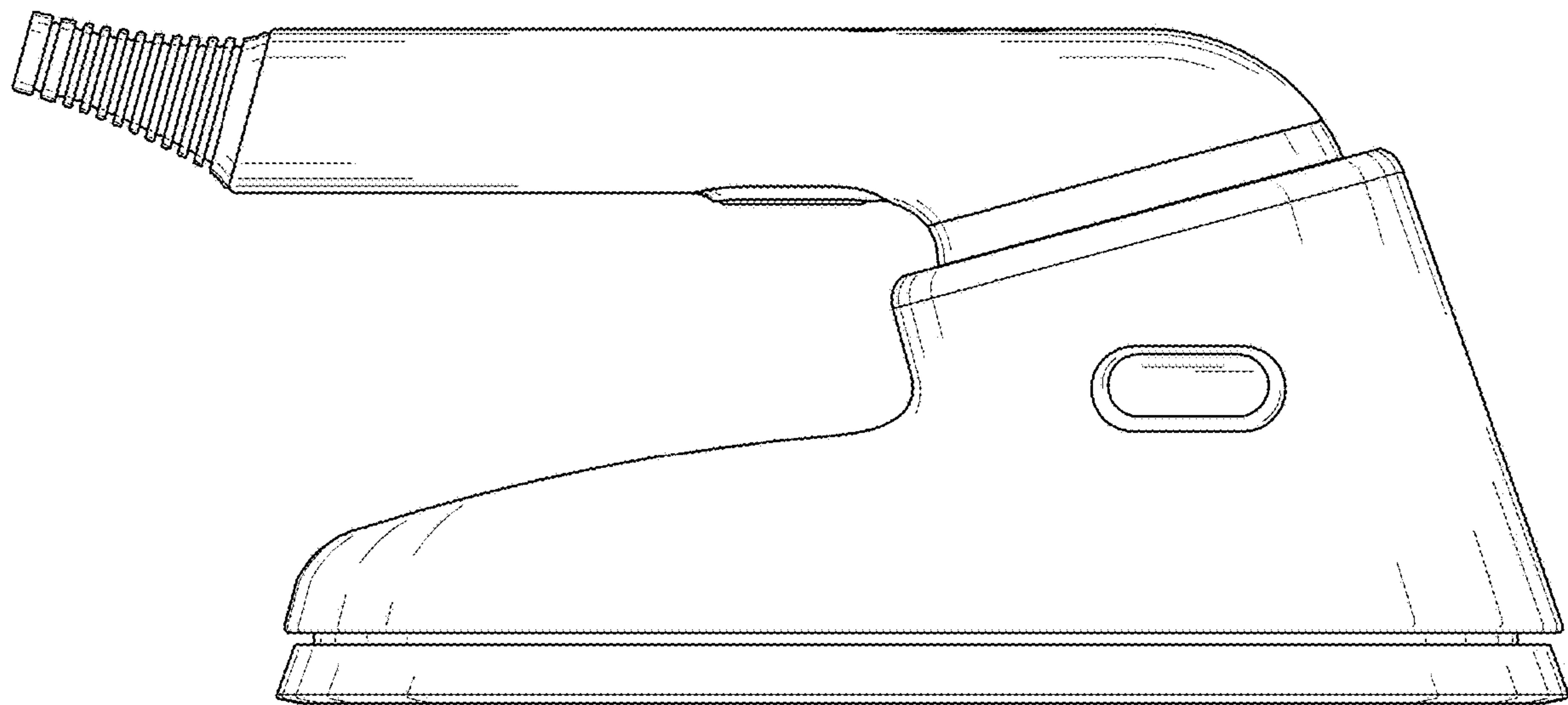


FIG. 5

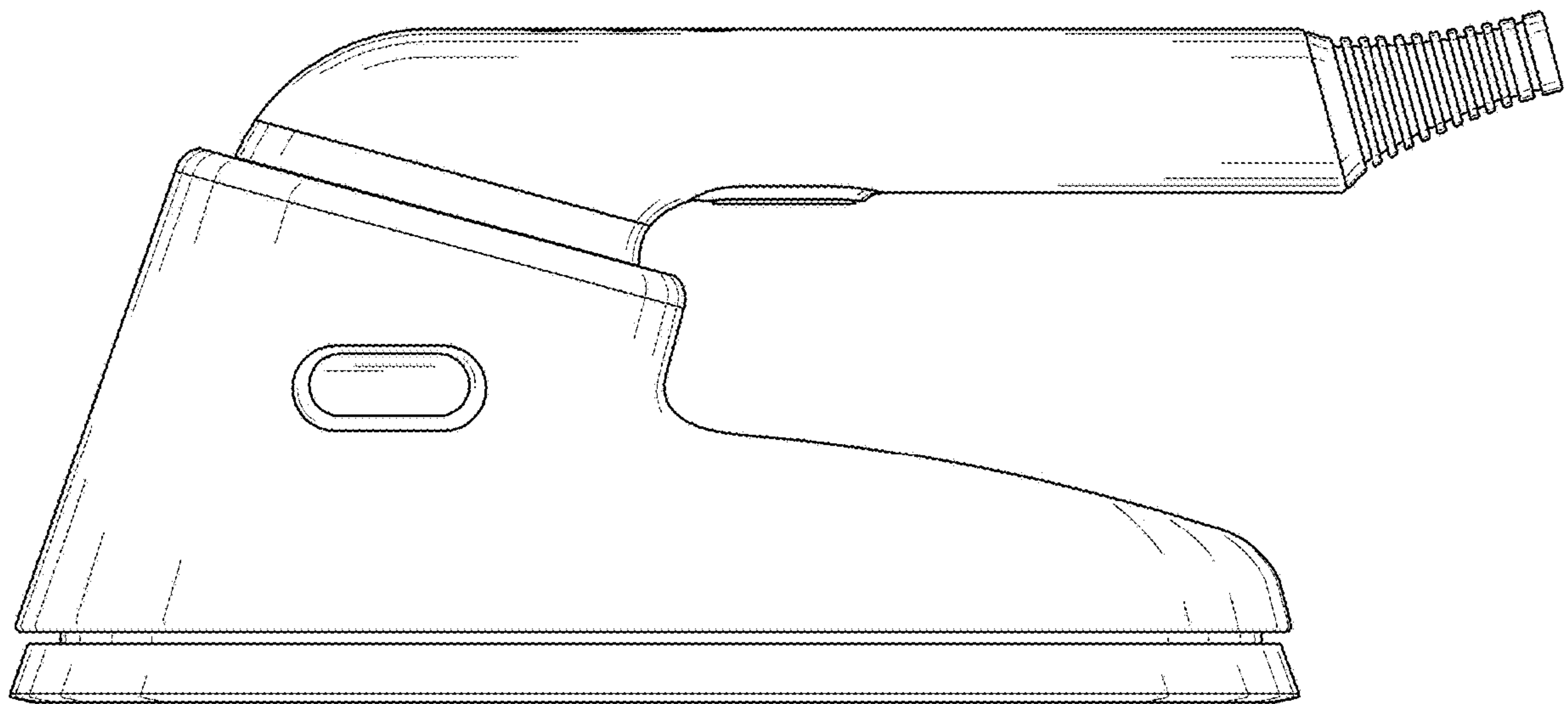


FIG. 6

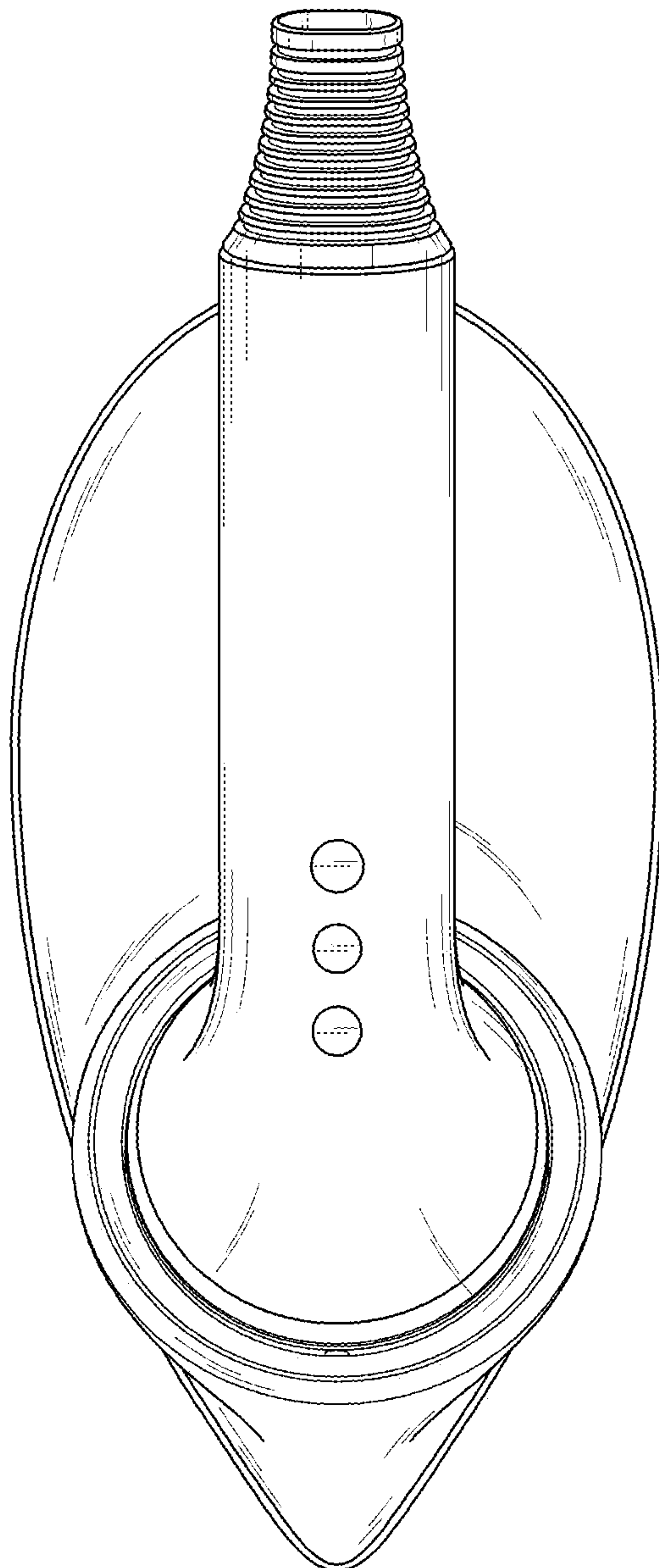


FIG. 7

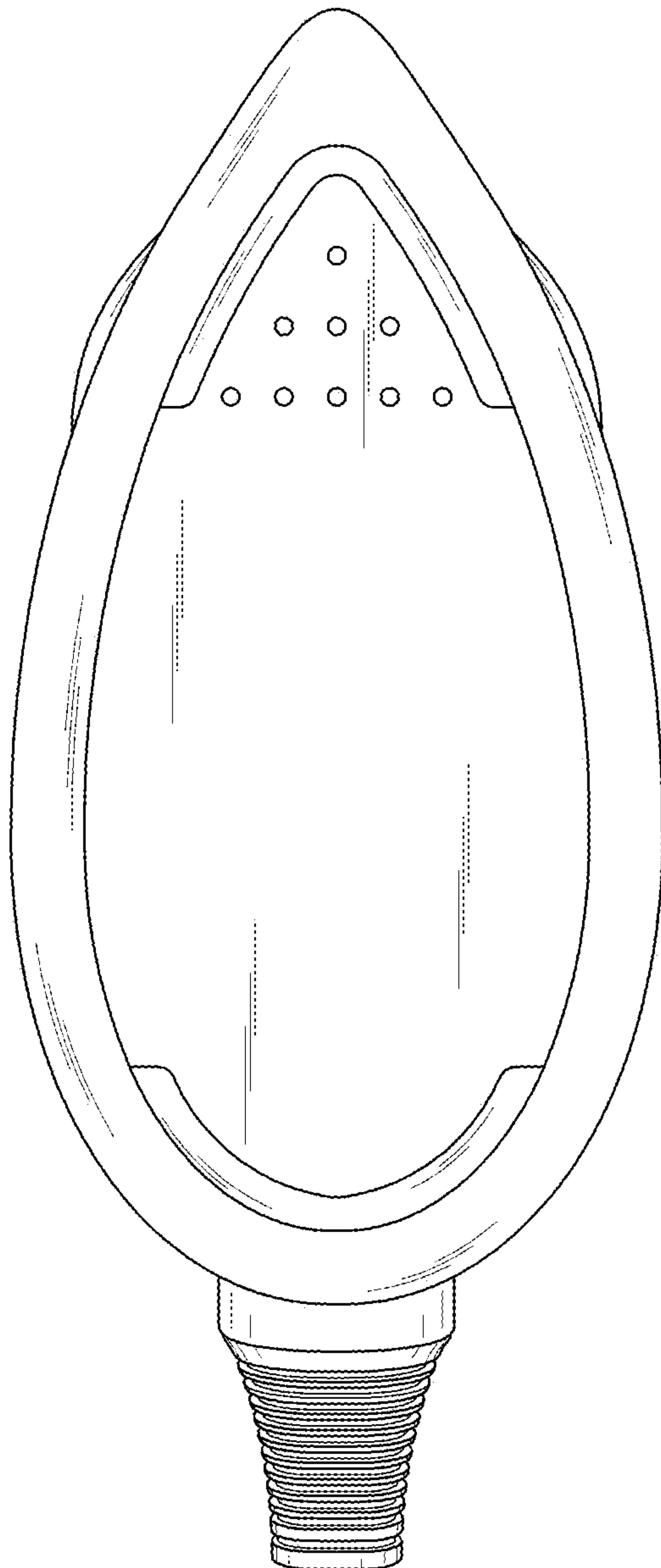


FIG. 8

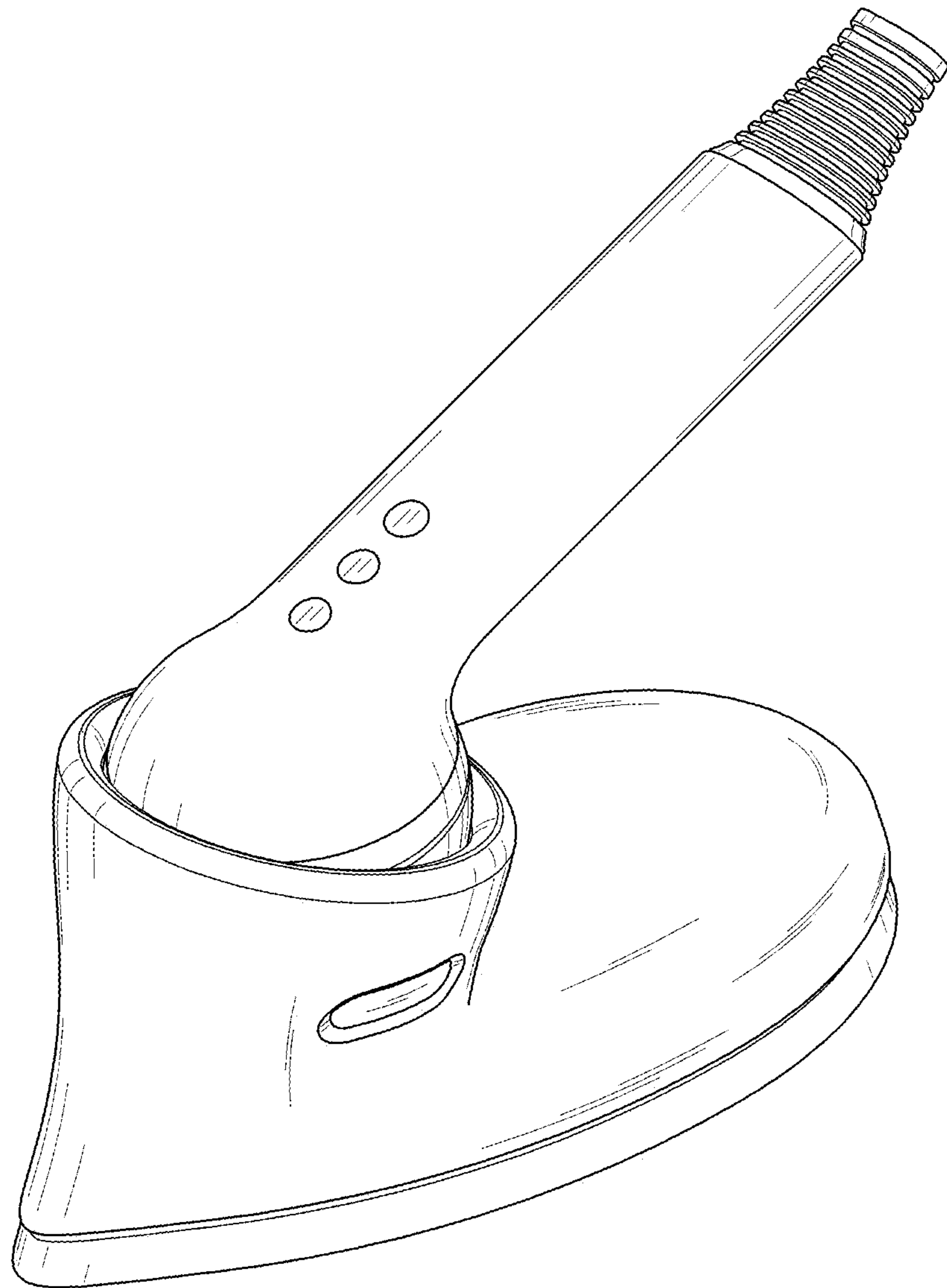


FIG. 9

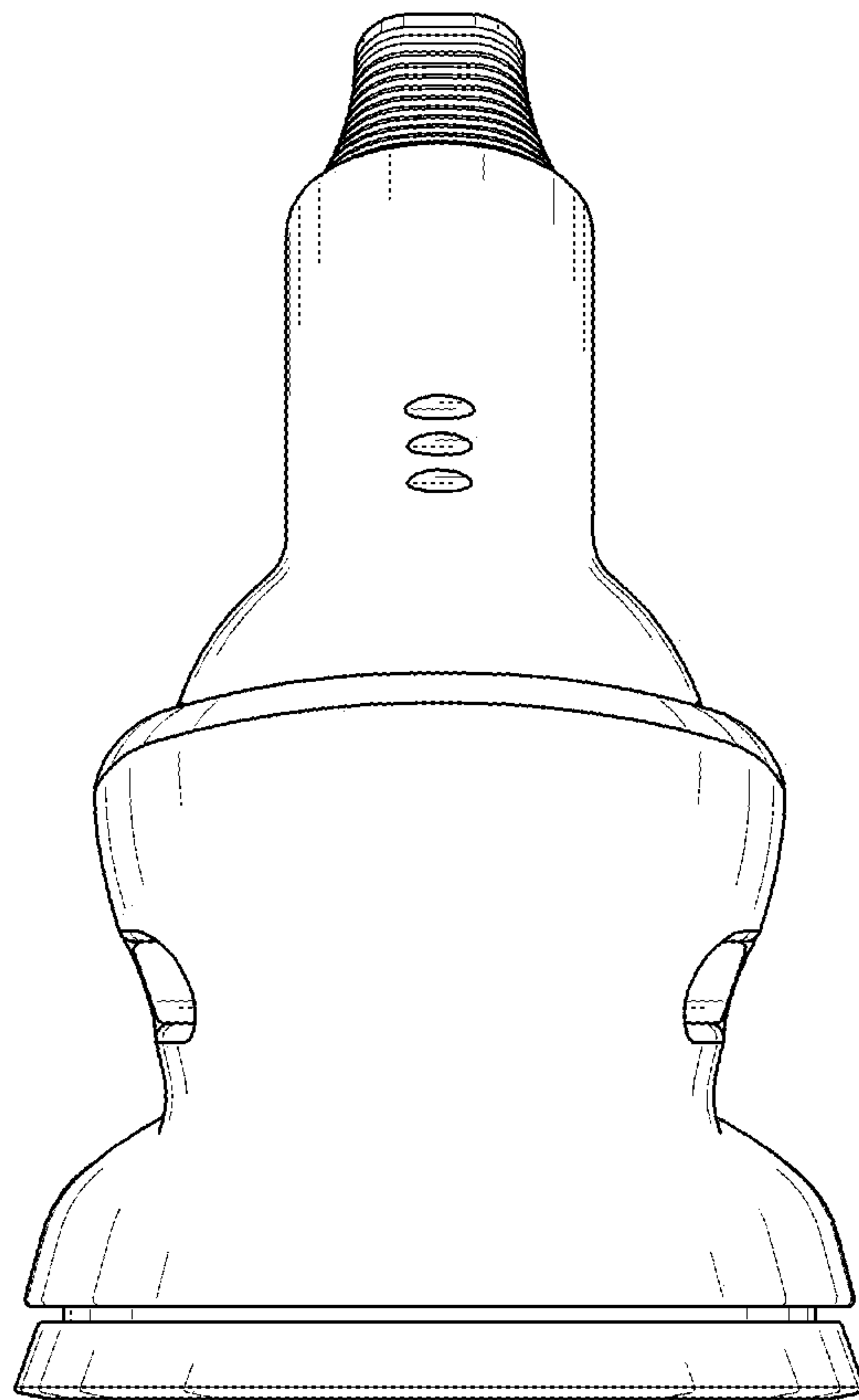


FIG. 10

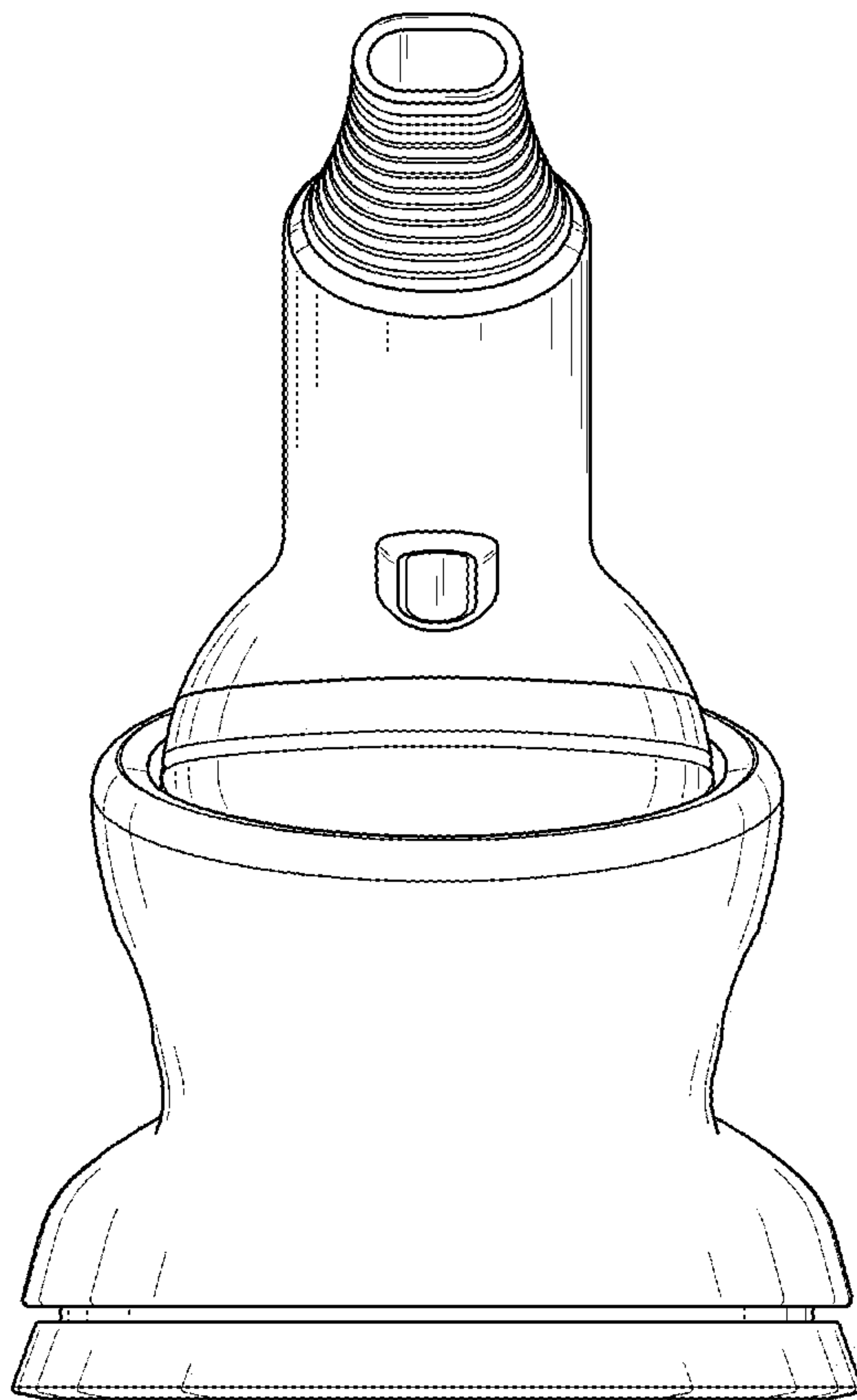


FIG. 11

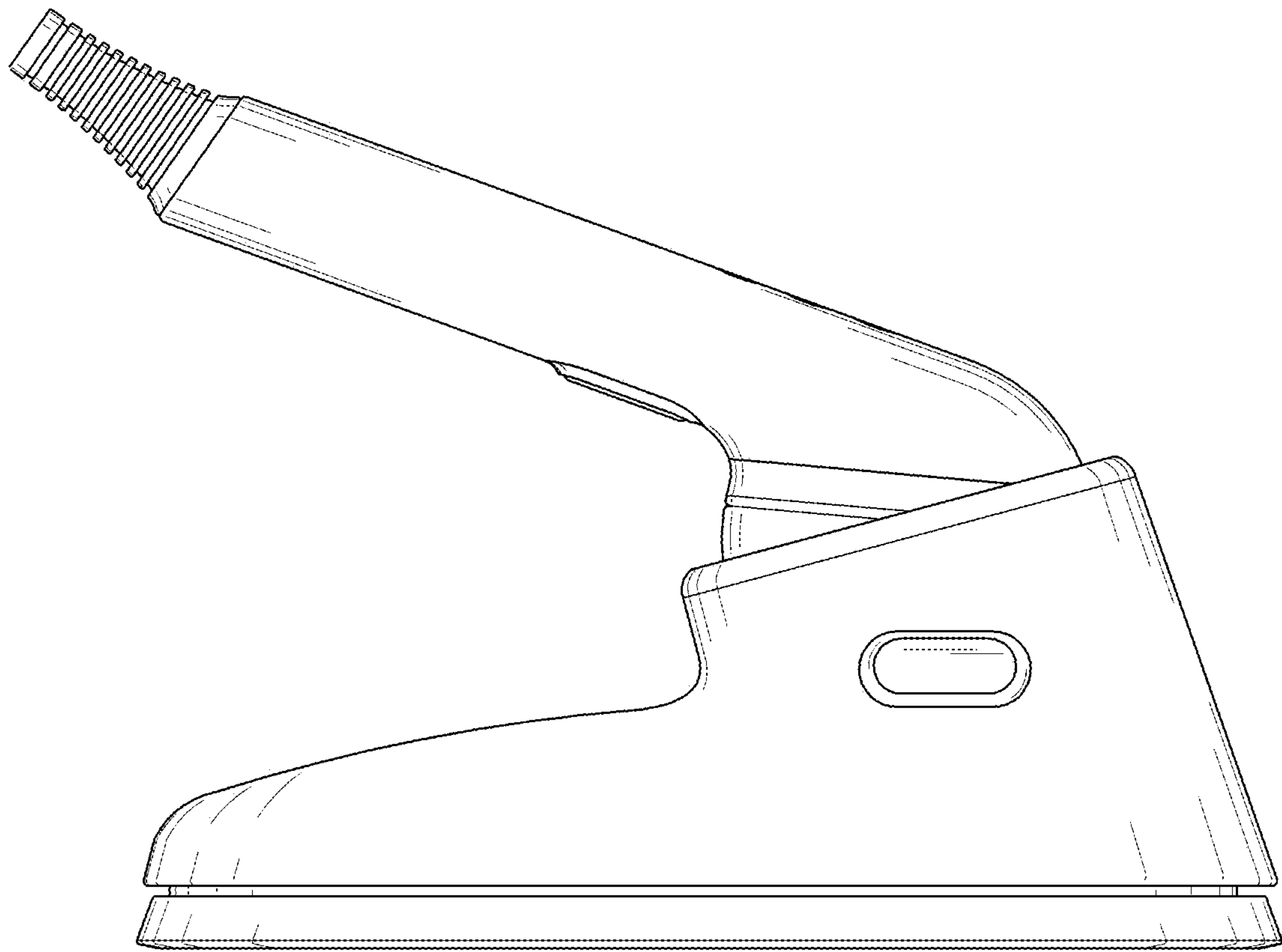


FIG. 12

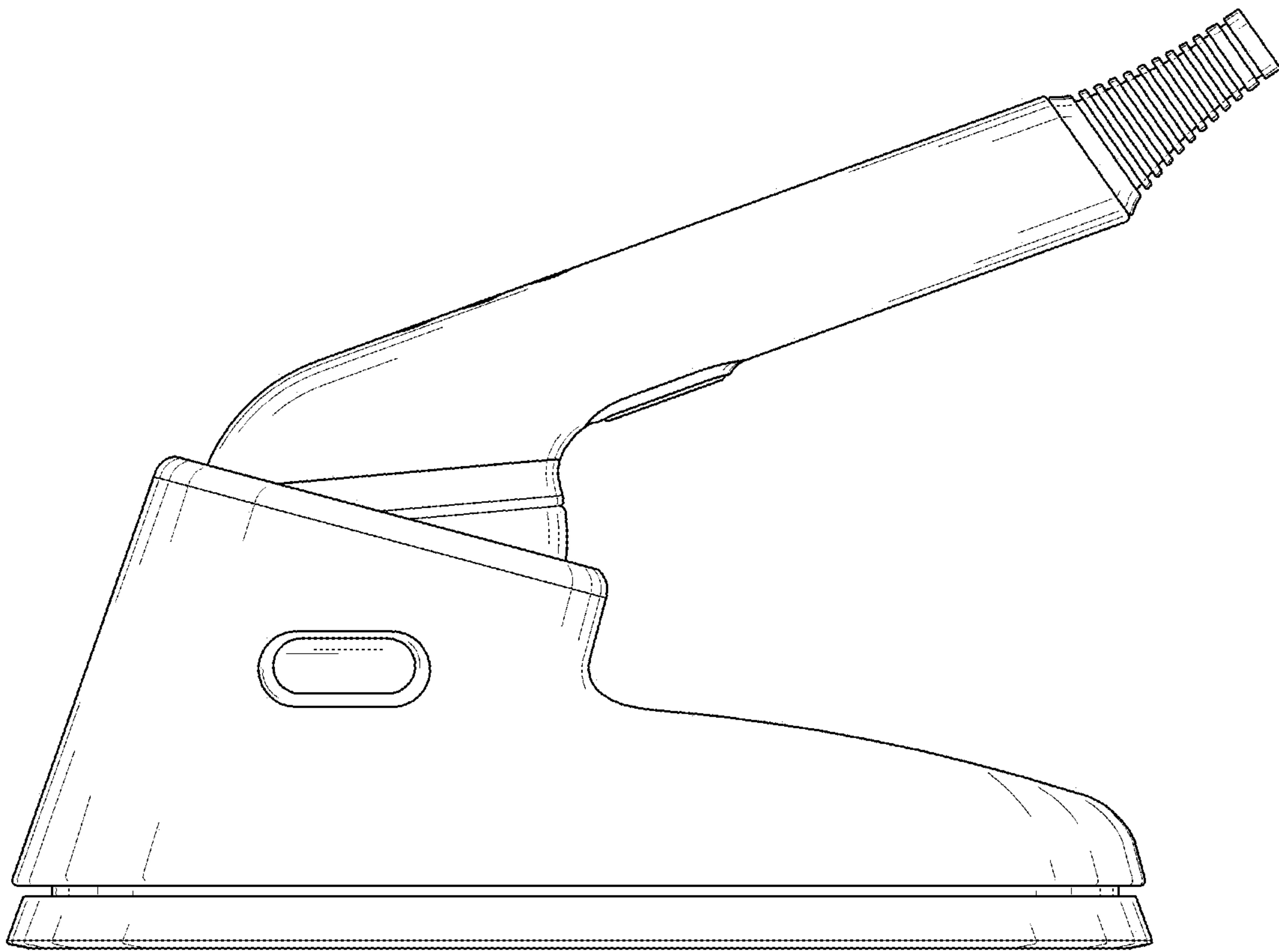


FIG. 13

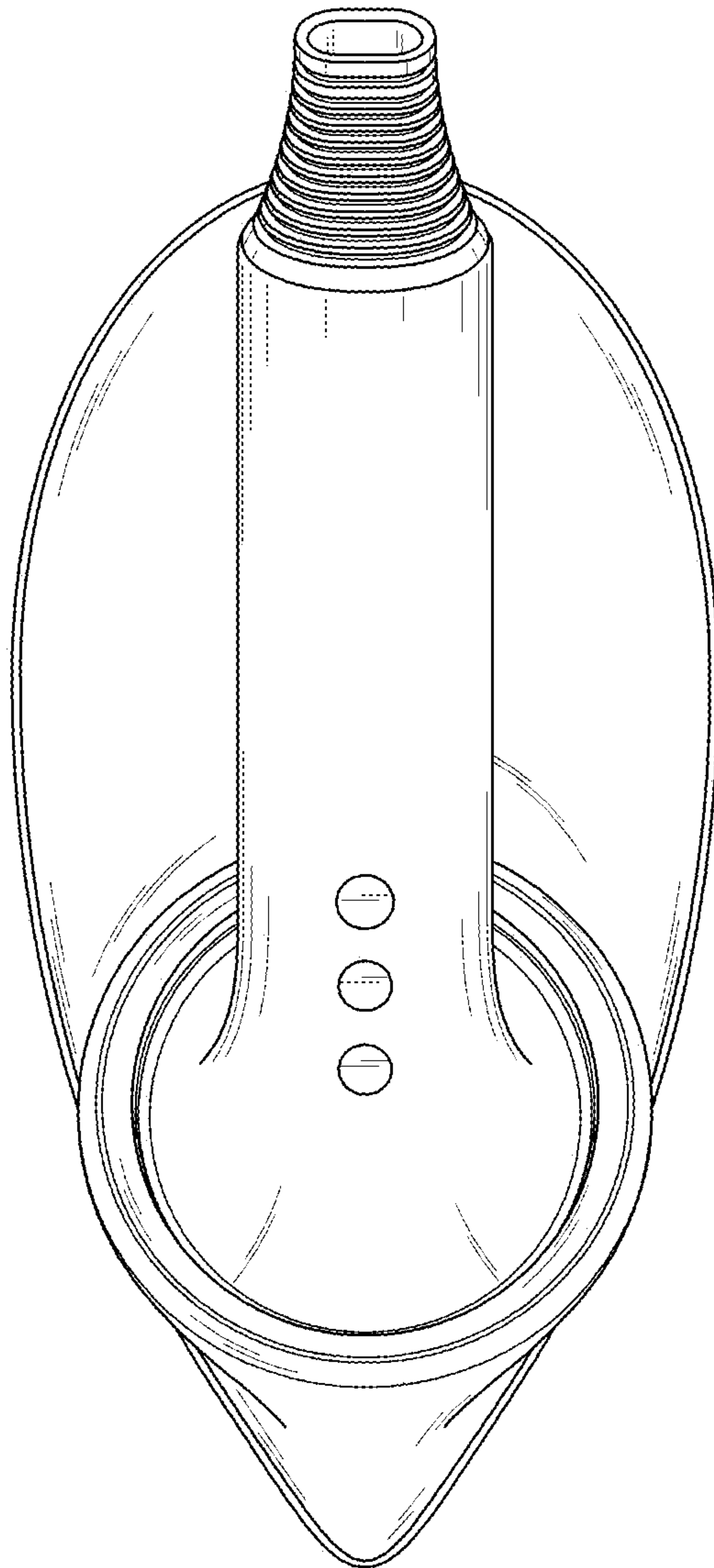


FIG. 14

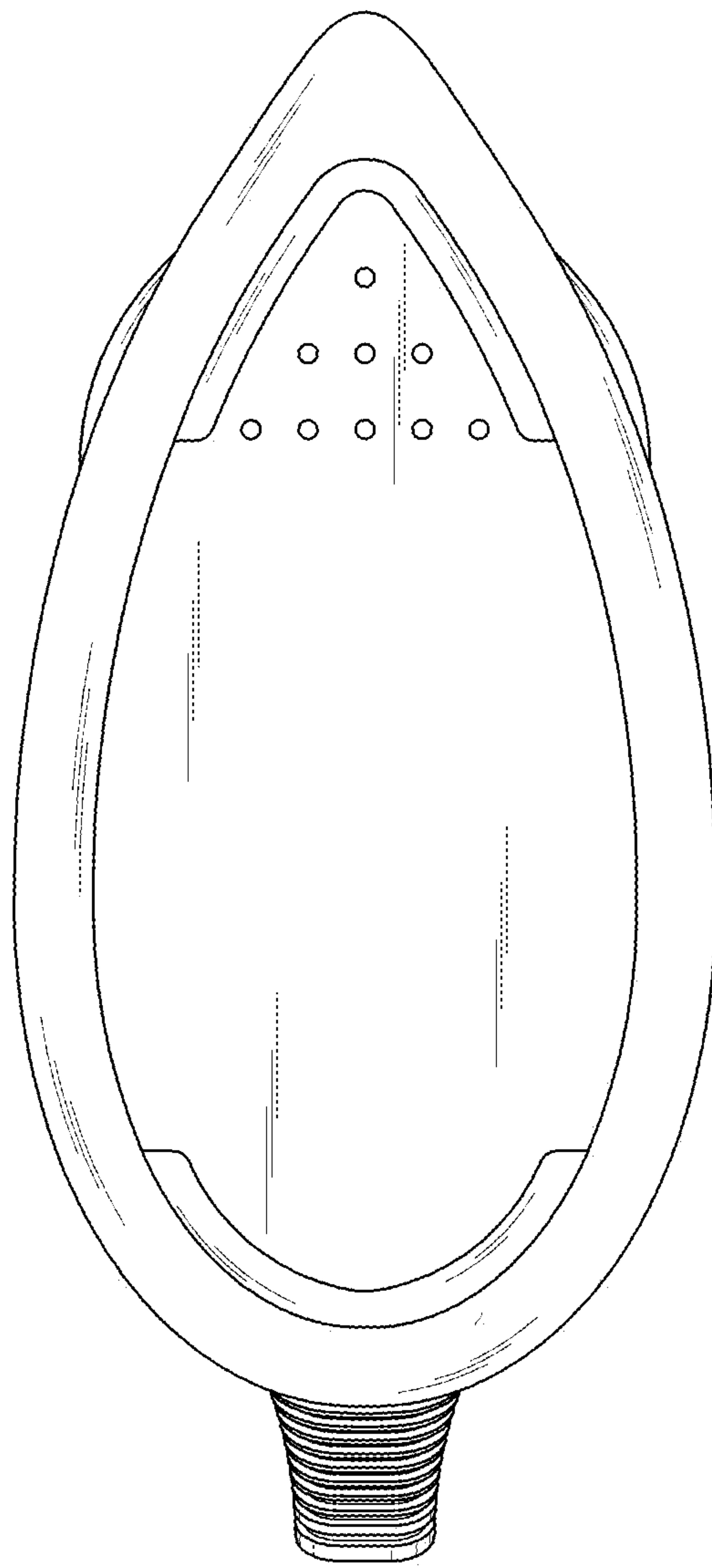


FIG. 15

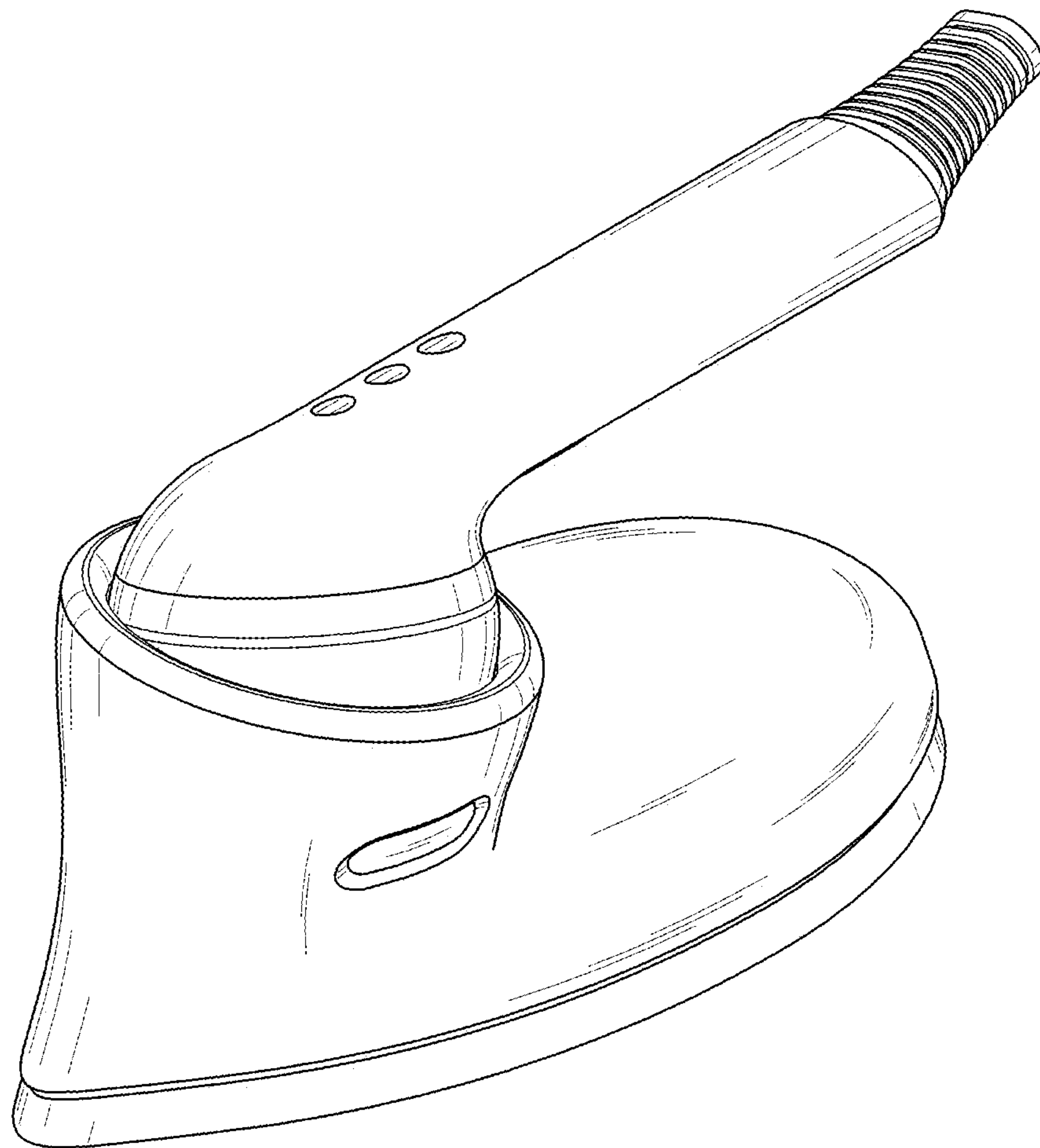


FIG. 16

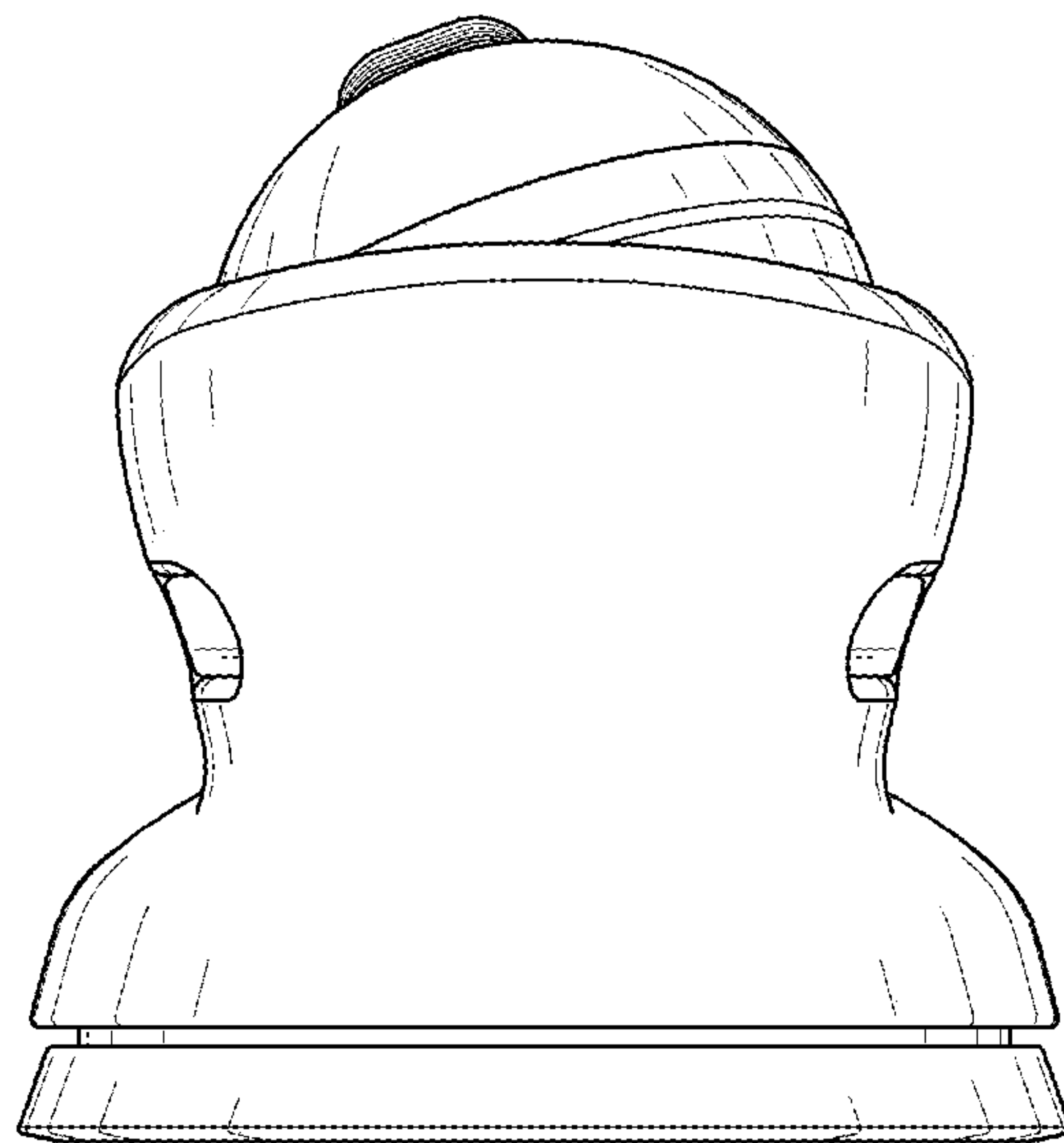


FIG. 17

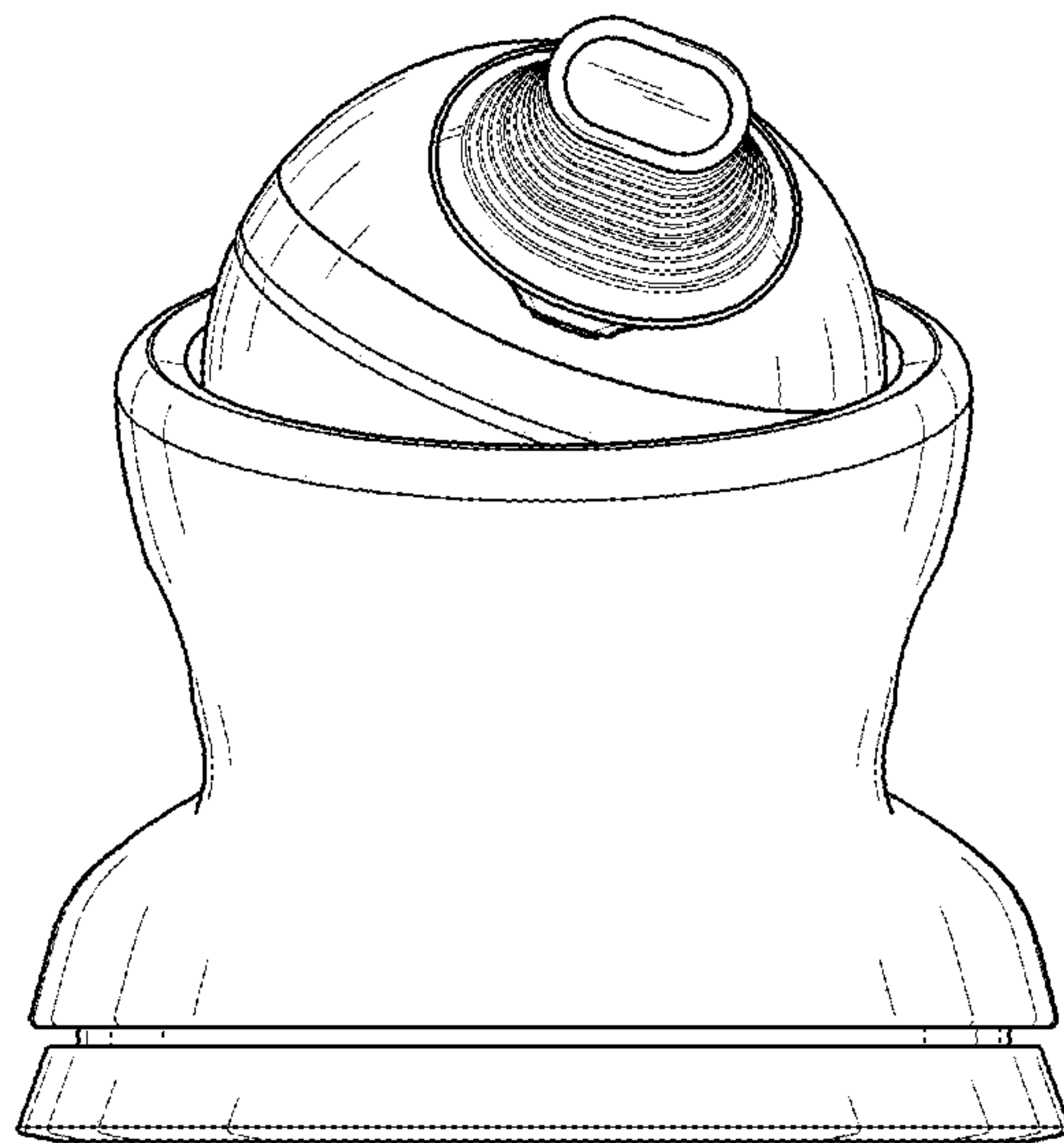


FIG. 18

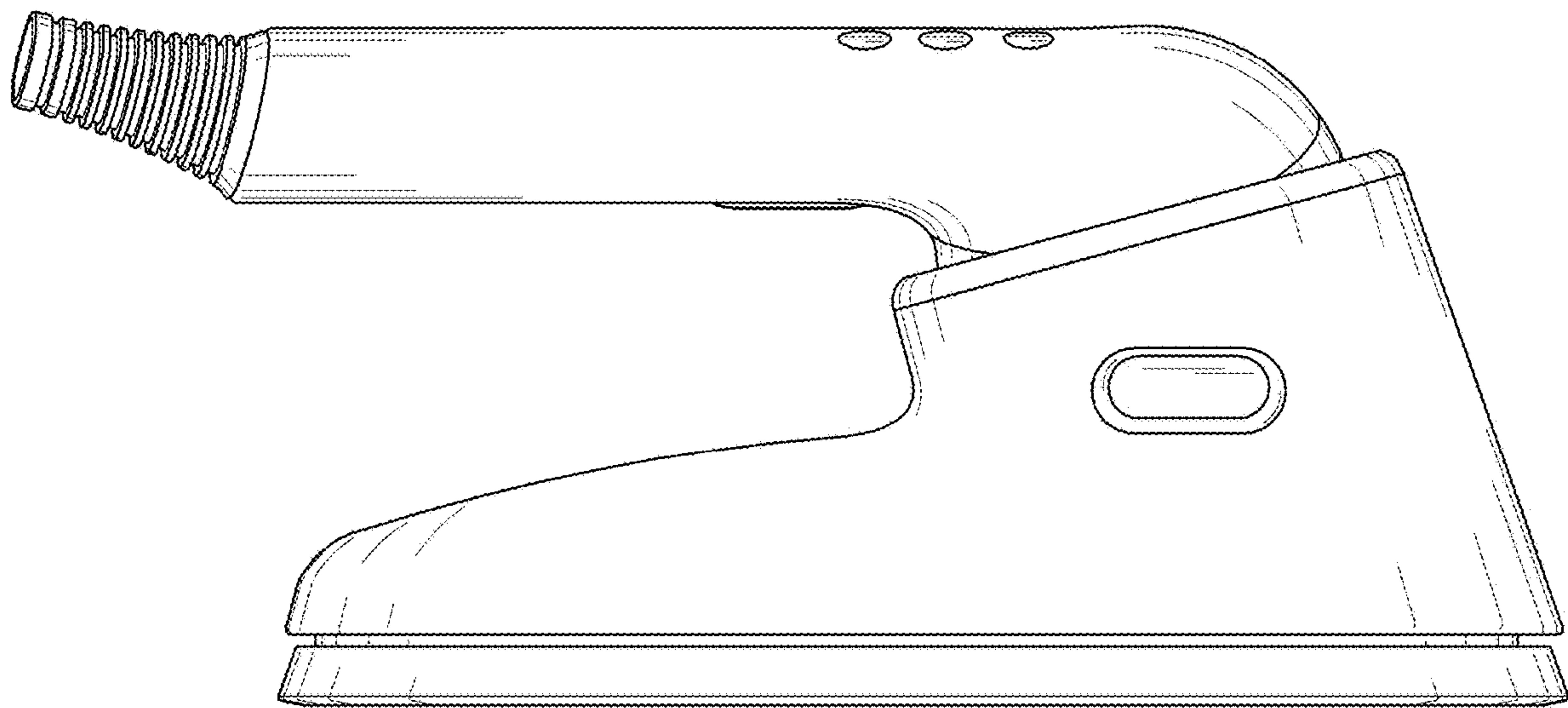


FIG. 19

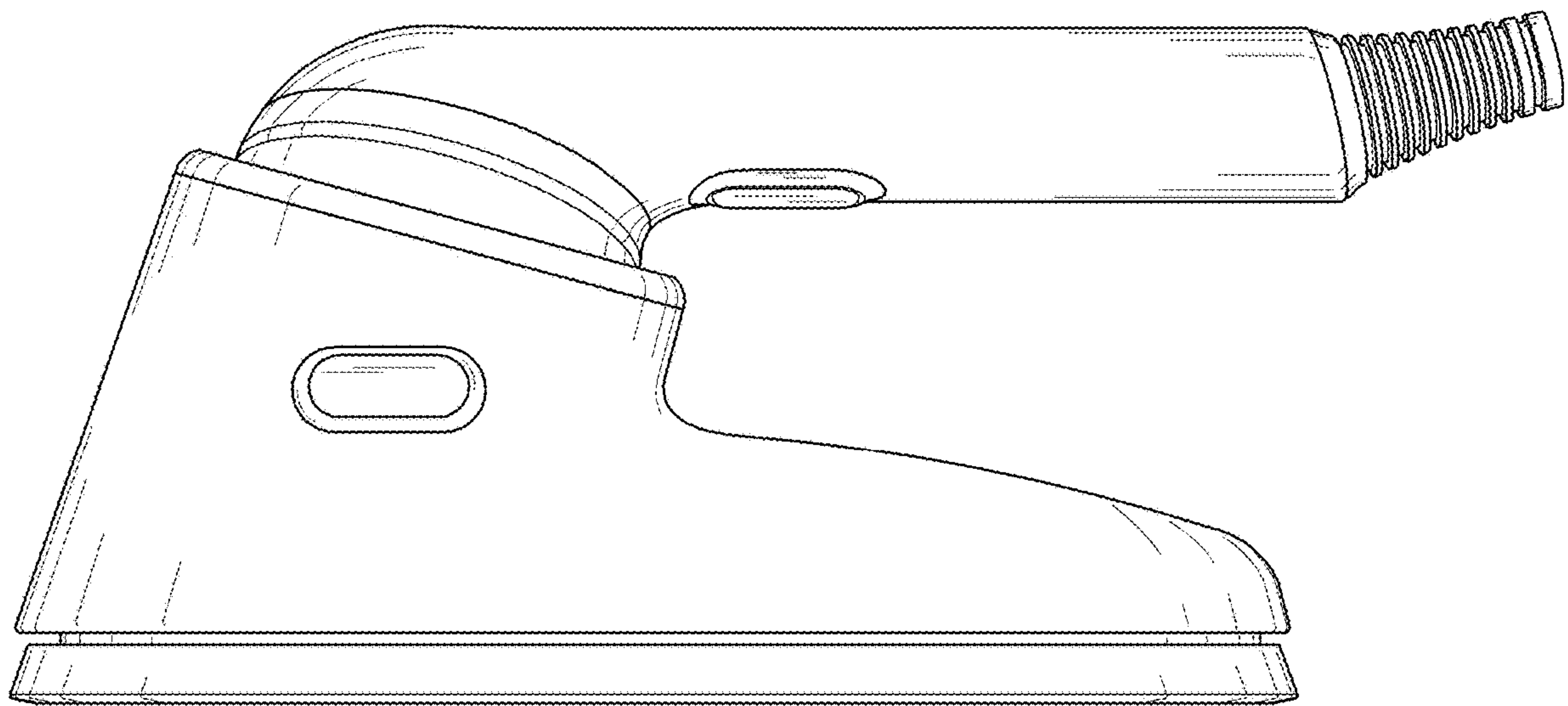


FIG. 20

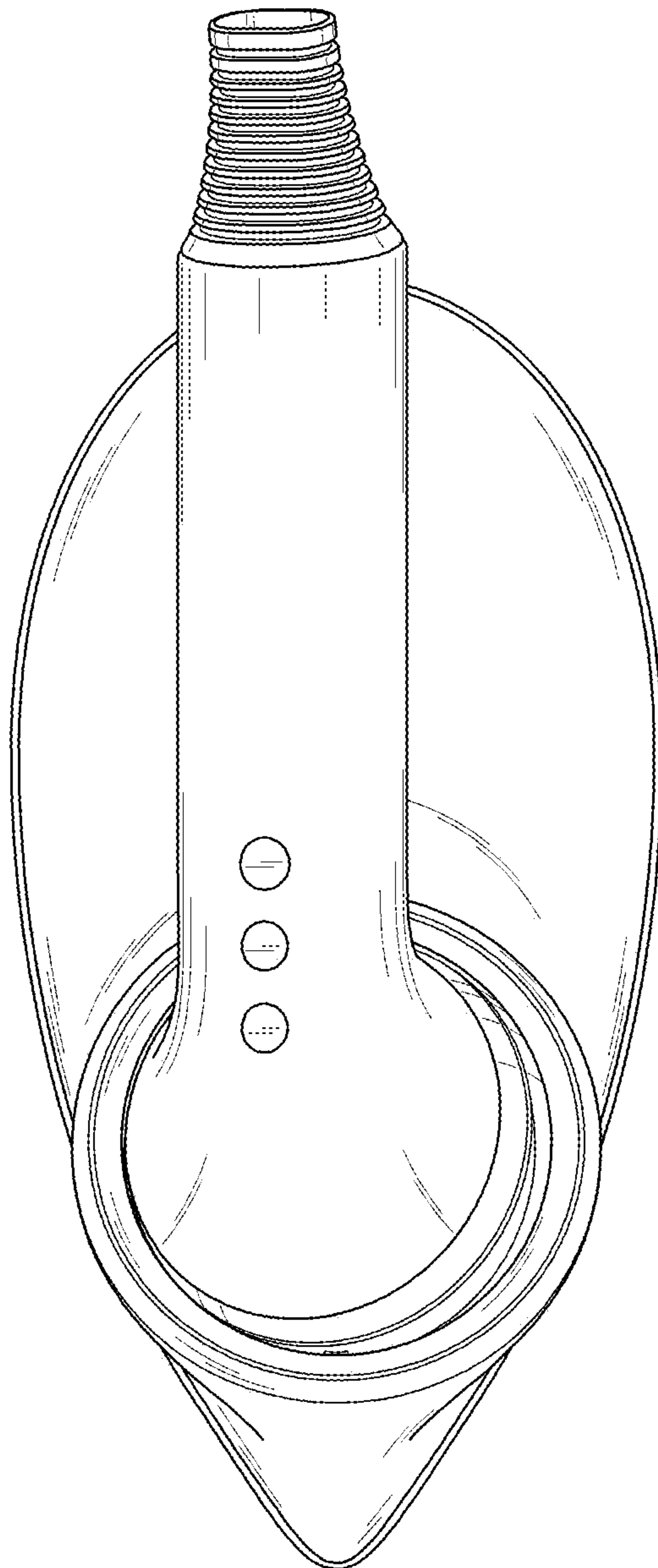


FIG. 21

