



US00D946854S

(12) **United States Design Patent**
Park et al.

(10) **Patent No.:** **US D946,854 S**
(45) **Date of Patent:** **** Mar. 22, 2022**

(54) **IRONING BOARD**

(71) Applicant: **LG ELECTRONICS INC.**, Seoul (KR)
(72) Inventors: **Kyutae Park**, Seoul (KR); **Jaecil Bae**, Seoul (KR); **Kyungah Lee**, Seoul (KR); **Hoil Jeon**, Seoul (KR); **Youngsoo Ha**, Seoul (KR)
(73) Assignee: **LG ELECTRONICS INC.**, Seoul (KR)
(**) Term: **15 Years**

(21) Appl. No.: **29/724,832**

(22) Filed: **Feb. 19, 2020**

(30) **Foreign Application Priority Data**

Aug. 20, 2019 (KR) 30-2019-0039782

(51) **LOC (13) Cl.** **07-05**

(52) **U.S. Cl.**
USPC **D32/66**

(58) **Field of Classification Search**
USPC D32/9, 35, 66, 67; D21/526; D6/406.3, D6/668, 691.1, 691.3, 691.4, 691.6; D14/457, 459, 460, 461
(Continued)

(56) **References Cited**

U.S. PATENT DOCUMENTS

D19,852 S * 5/1890 Hicks D32/66
D28,612 S * 5/1898 Rowse et al. D32/66
(Continued)

FOREIGN PATENT DOCUMENTS

JP D1569944 * 2/2017
JP D1569945 * 2/2017
(Continued)

OTHER PUBLICATIONS

10 Best Ironing Boards to Buy in 2021, available in www.goodhousekeeping.com, announced May 24, 2021 [online], [site visited Nov. 16, 2020], Internet URL: https://www.goodhousekeeping.com/home-products/g36343446/best-ironing-board/ (Year: 2021).*
(Continued)

Primary Examiner — Dana K Weiland
Assistant Examiner — Jennylou M Binas
(74) *Attorney, Agent, or Firm* — Birch, Stewart, Kolasch & Birch, LLP

(57) **CLAIM**

We claim the ornamental design for an ironing board, as shown and described.

DESCRIPTION

FIG. 1 is a perspective view of an ironing board showing the new design;
FIG. 2 is a front elevation view thereof;
FIG. 3 is a rear elevation view thereof;
FIG. 4 is a left side elevation view thereof;
FIG. 5 is a right side elevation view thereof;
FIG. 6 is a top plan view thereof;
FIG. 7 is a bottom plan view thereof;
FIG. 8 is a perspective view of the ironing board showing an alternate configuration with an auxiliary ironing board popped up;
FIG. 9 is a front elevation view thereof;
FIG. 10 is a rear elevation view thereof;
FIG. 11 is a left side elevation view thereof;
FIG. 12 is a right side elevation view thereof;
FIG. 13 is a top plan view thereof;
FIG. 14 is a bottom plan view thereof;
FIG. 15 is a perspective view of the ironing board showing an alternate configuration with an auxiliary ironing board rotated to the side;
FIG. 16 is a front elevation view thereof;
FIG. 17 is a rear elevation view thereof;
FIG. 18 is a left side elevation view thereof;
FIG. 19 is a right side elevation view thereof;
FIG. 20 is a top plan view thereof; and,
(Continued)

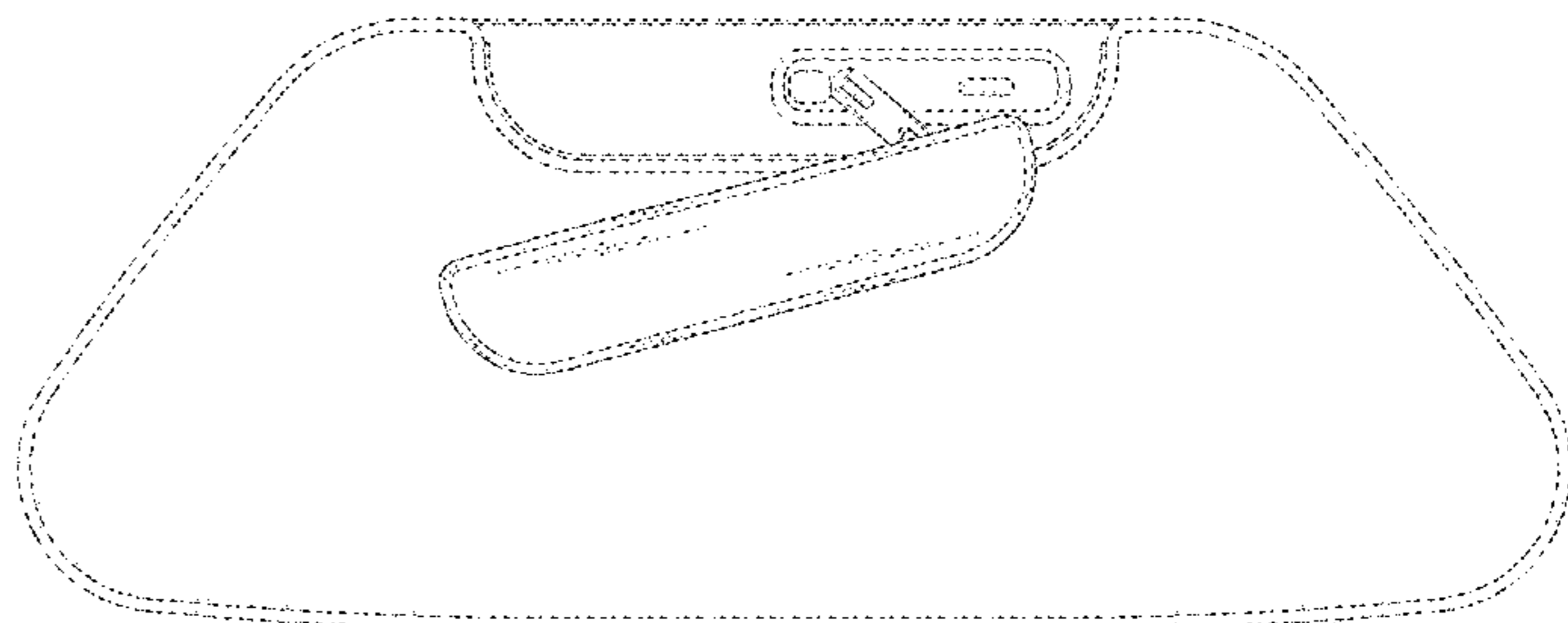
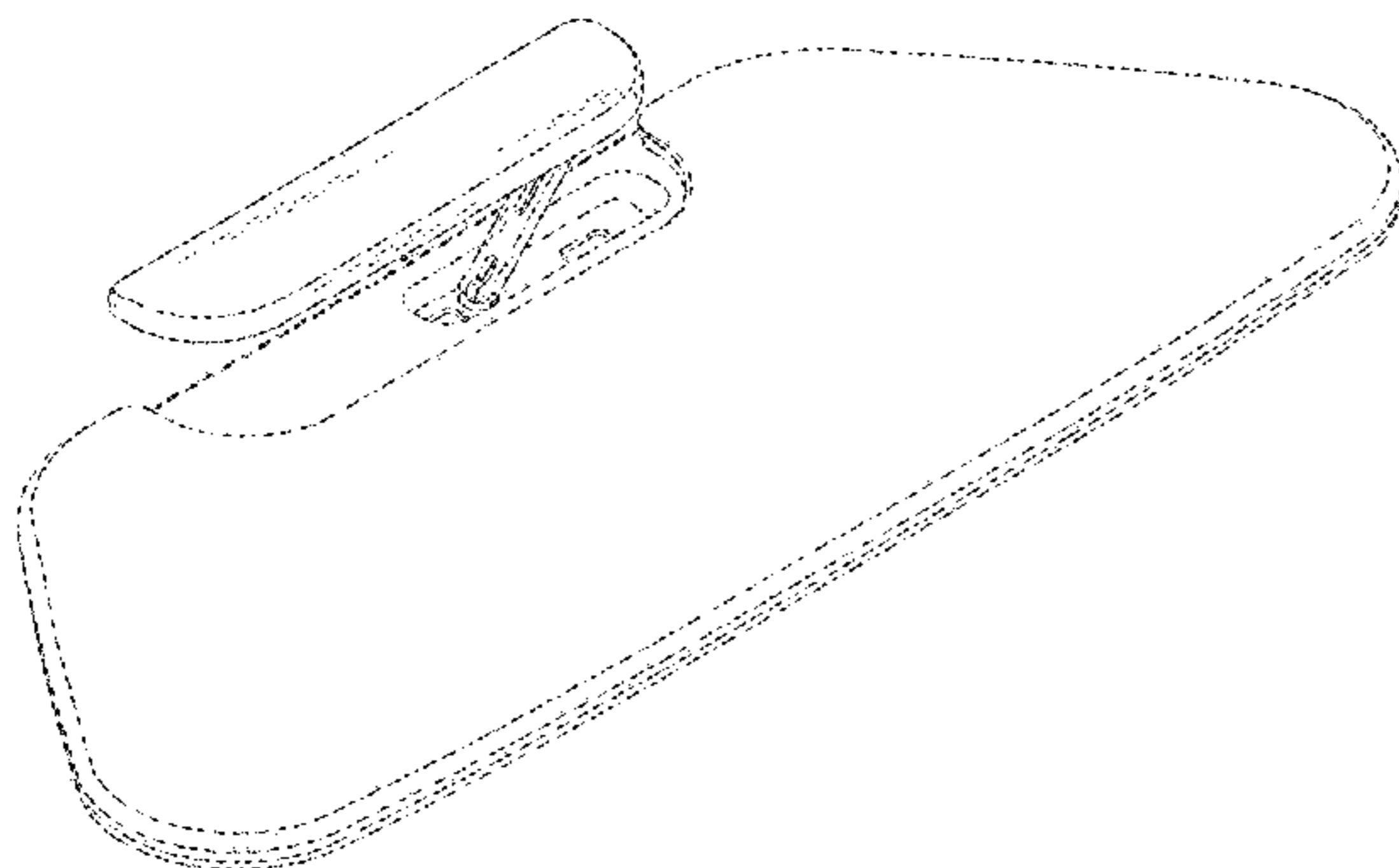


FIG. 21 is a bottom plan view thereof.
The broken lines shown in the figures depict portions of the ironing board that form no part of the claimed design.

1 Claim, 21 Drawing Sheets

(58) **Field of Classification Search**

CPC A47B 39/06; D06F 81/00; D06F 81/003;
D06F 81/006; D06F 81/02; D06F 81/04;
D06F 81/06; D06F 81/08; D06F 81/12;
D06F 83/00; Y10S 38/00; Y10S 38/01;
Y10S 38/02; Y10S 38/03; Y10T 292/305

See application file for complete search history.

(56) **References Cited**

U.S. PATENT DOCUMENTS

D124,329 S *	12/1940	Parker	D32/66
D142,261 S *	8/1945	Meyerhoefer	D32/66
D159,952 S *	9/1950	Buser	D32/66
2,523,425 A *	9/1950	Gargaglione	A47B 77/10 108/13
D167,456 S *	8/1952	Glassie et al.	D32/66
D182,902 S *	5/1958	Kemph	D32/66
D183,468 S *	9/1958	Turner	D32/66
D263,781 S *	4/1982	Pettersson	D32/66
D272,008 S *	12/1983	Flory	D32/66
D348,338 S *	6/1994	Stutzer	D32/66
D373,869 S *	9/1996	Stutzer	D32/66
D413,699 S *	9/1999	Evans	D32/37
D426,040 S *	5/2000	Wicky	D32/66
D426,590 S *	6/2000	Lan	D21/526
D532,220 S *	11/2006	Domack	D6/687
D543,672 S *	5/2007	Chu	D32/66
D546,515 S *	7/2007	Wicky	D32/66
D608,515 S *	1/2010	Park	D32/66

D704,912 S *	5/2014	Gameiro	D32/66
D858,022 S *	8/2019	Wang	D32/66
D937,524 S *	11/2021	Park	D32/66
D938,123 S *	12/2021	Bae	D32/66

FOREIGN PATENT DOCUMENTS

RU	00121483	*	9/2020
RU	00121940	*	10/2020
WO	D206925-001	*	8/2021

OTHER PUBLICATIONS

Kapas Adjustable Garment Steamer, available in freestuff.cafe, announced May 5, 2021 [online], [site visited Sep. 9, 2021], URL: <https://freestuff.cafe/deals/kapas-adjustable-garment-steamer-accessories-for-clothes-build-in-rotatable-ironing-board-211-water-tank-8-ironing-options-for-different-clothes/> (Year: 2021).*

Flash Furniture Trapezoid Table, available in Amazon.com, date 1st available Mar. 26, 2012[online],[site visited Sep. 21, 2021], Available internet URL: https://www.amazon.com/Flash-Furniture-Trapezoid-Laminate-Activity/dp/B00777WHJQ/ref=sr_1_1?dchild=1&keywords=B00777WHJQ&qid=1632242139&s=home-garden&sr=1-1 (Year: 2012).*

Miele B3847 Fashionmaster Ironing System, date 1st available Mar. 9, 2017[online],[site visited Sep. 9, 2021], Available from the internet URL: https://www.amazon.ca/Miele-B3847-Fashionmaster-Ironing-System/dp/B01N705TG5/ref=sr_1_1?dchild=1&keywords=Miele+FashionMaster+Ironing+System&qid=1631218268&sr=8-1 (Year: 2017).*

Ironing board: 30 clever helpers, announced in YouTube on May 27, 2015 [online], [site visited Sep. 22, 2021], Available from the internet URL: <https://www.youtube.com/watch?v=CEO-TPqKQv4> (Year: 2015).*

* cited by examiner

FIG. 1

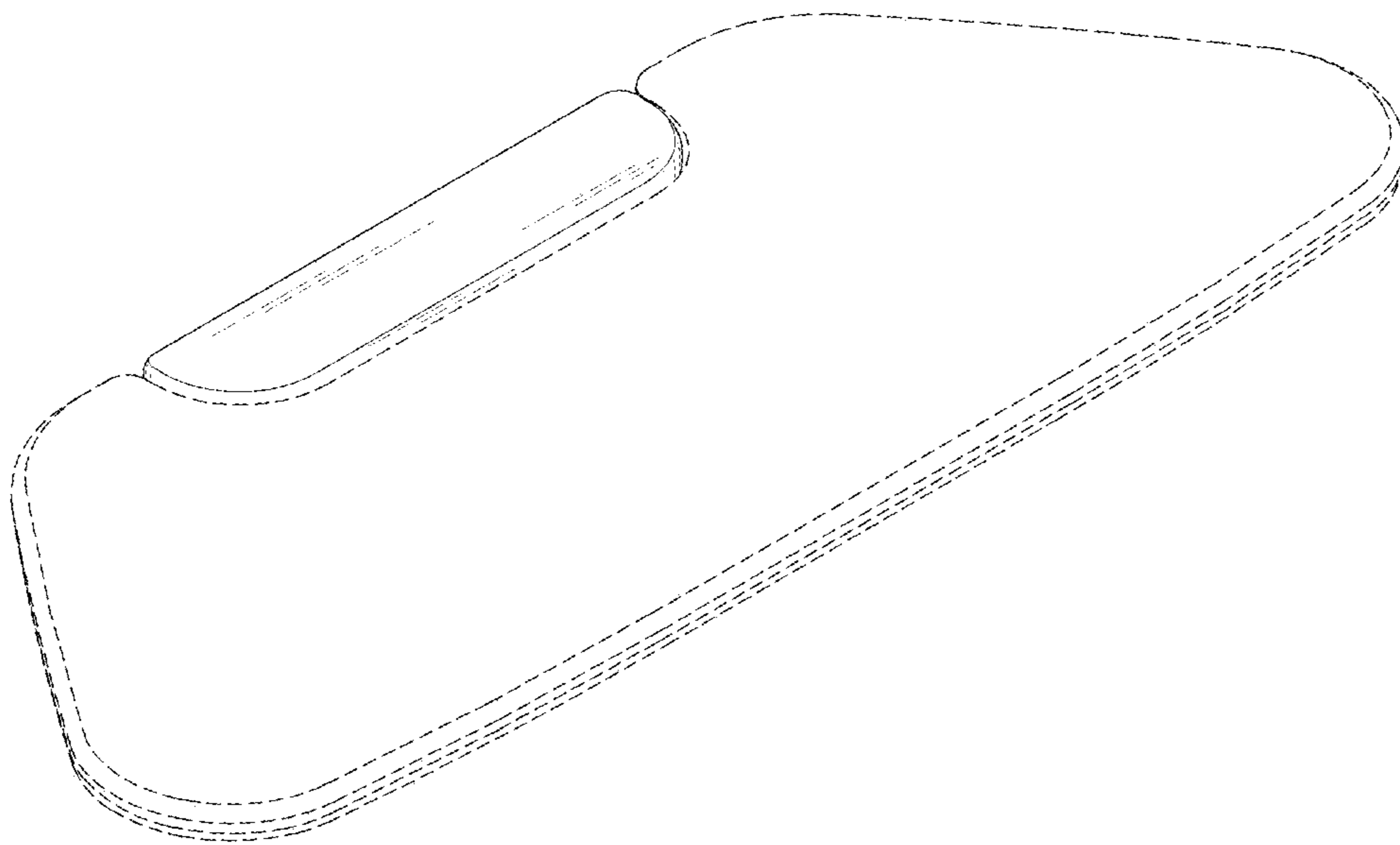


FIG. 2

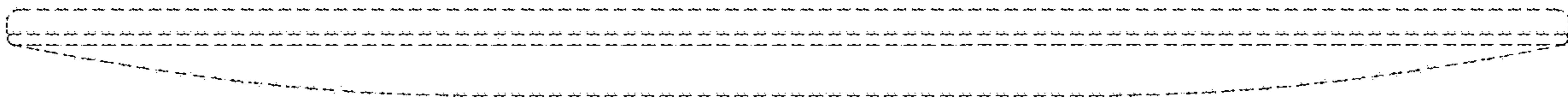


FIG. 3

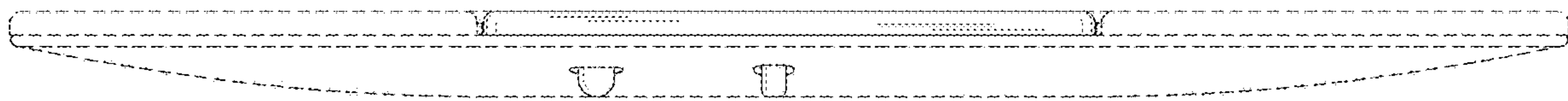


FIG. 4

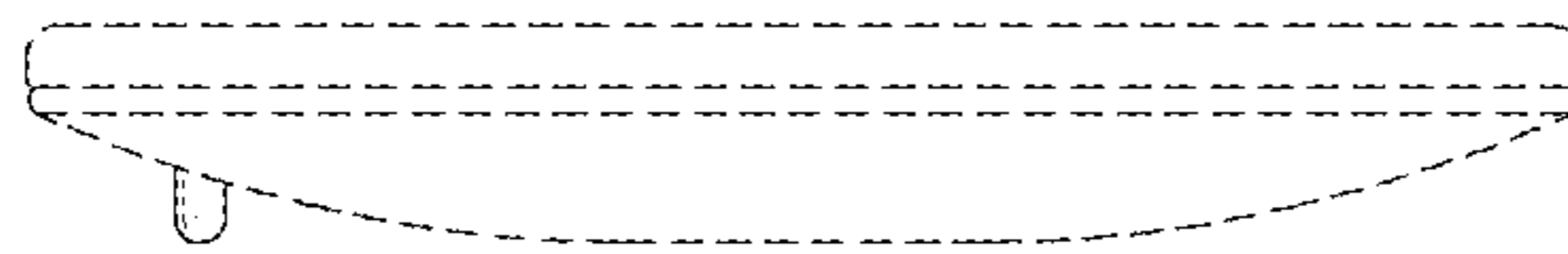


FIG. 5

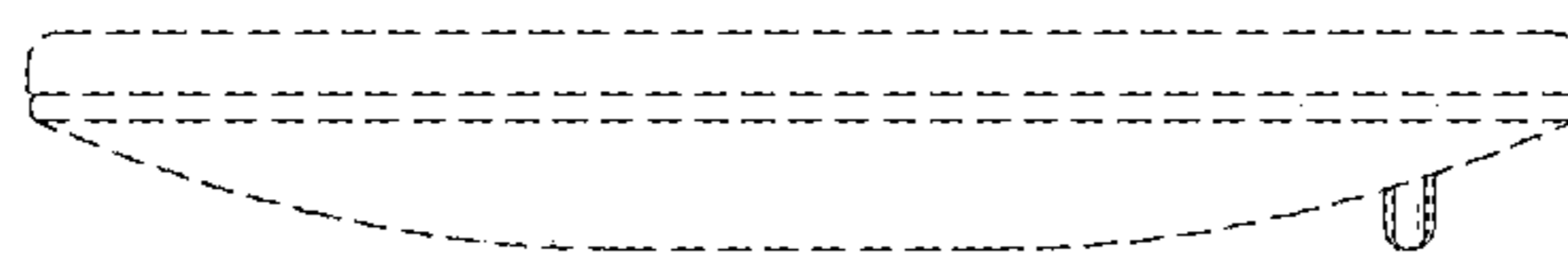


FIG. 6

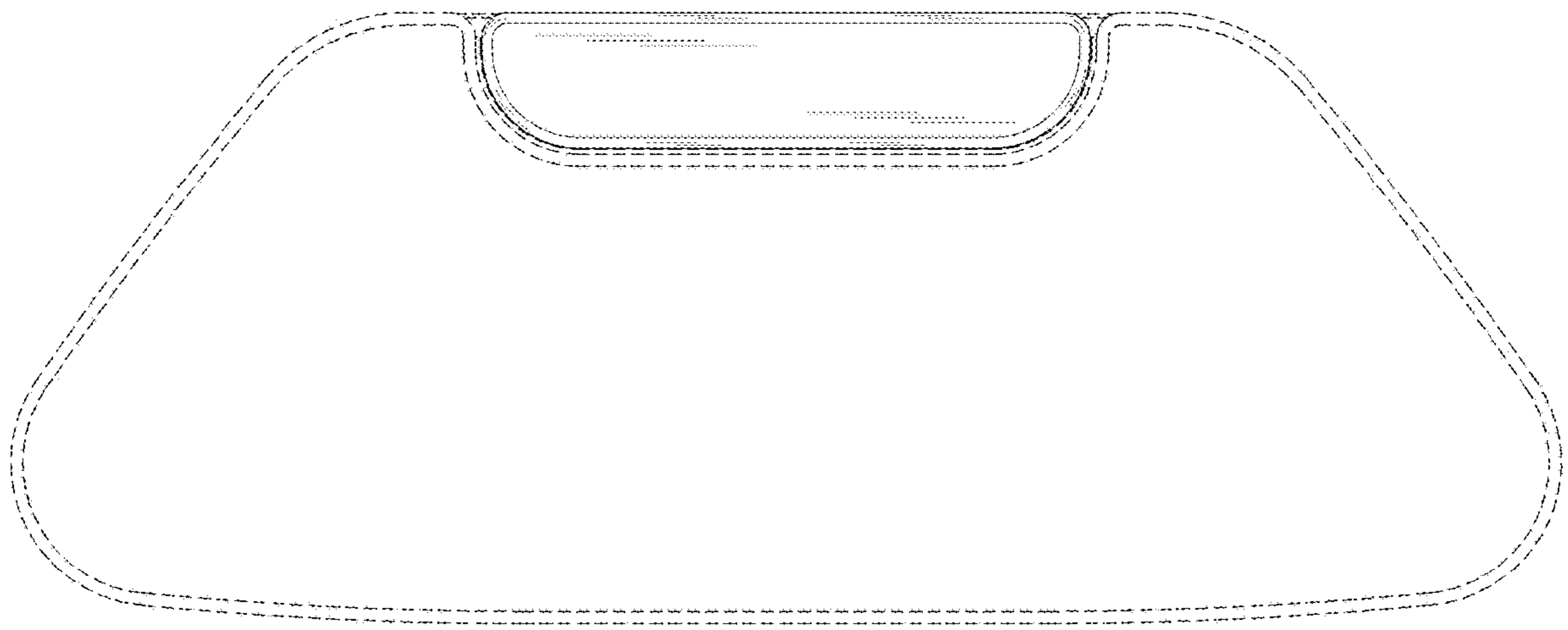


FIG. 7

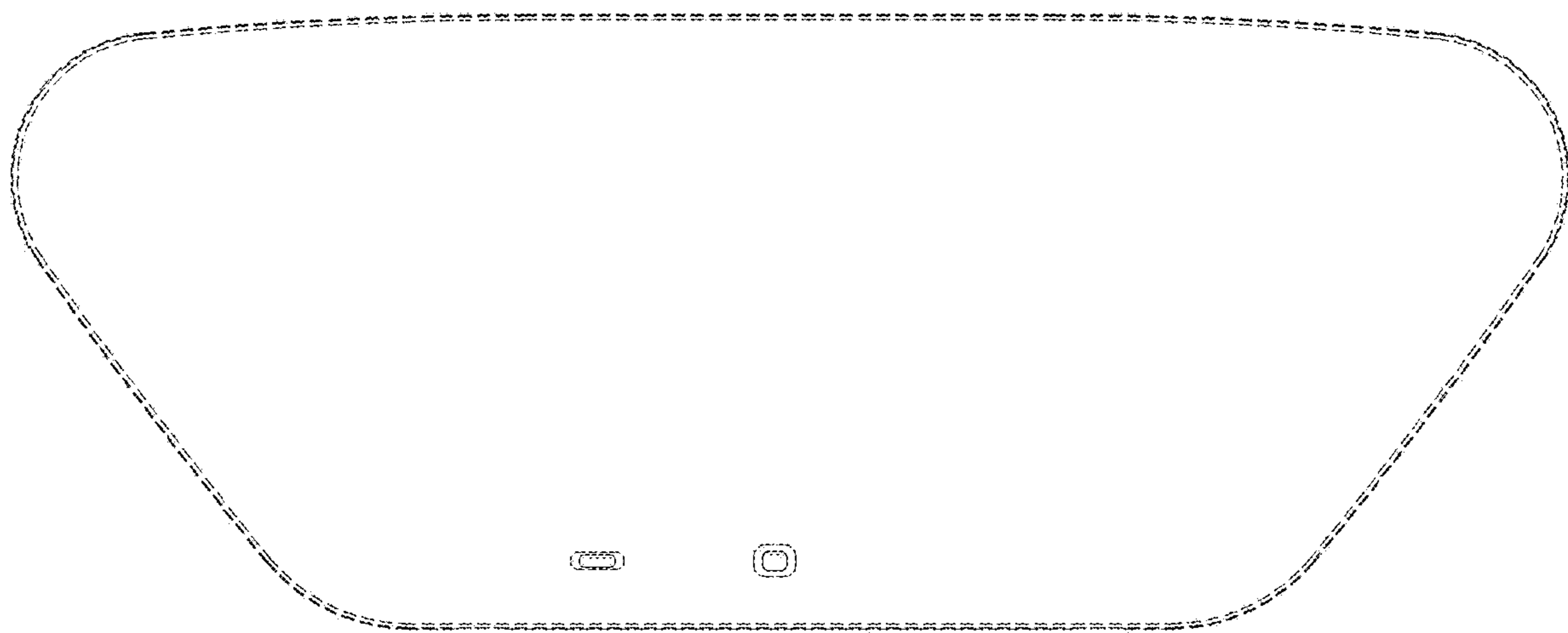


FIG. 8

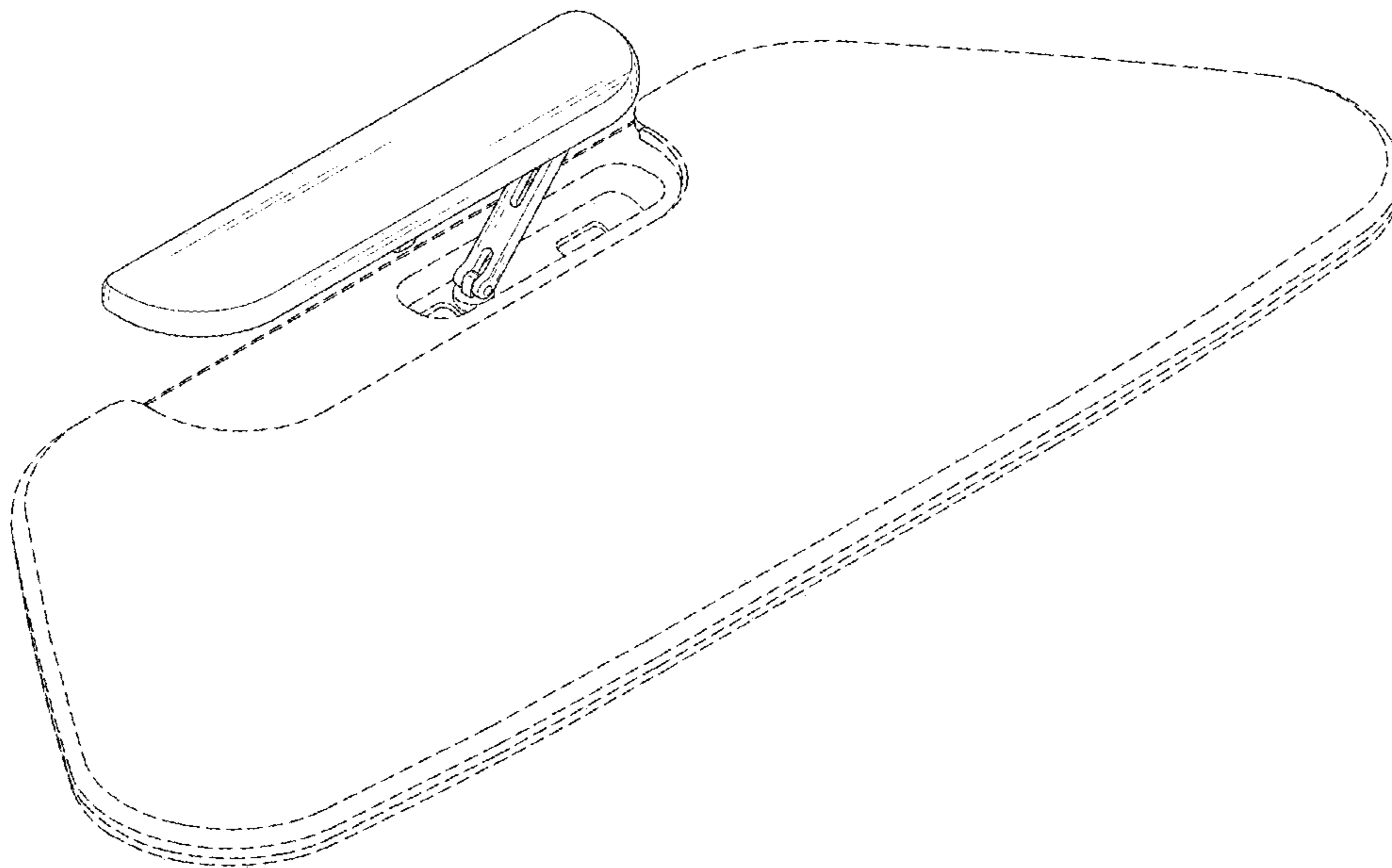


FIG. 9

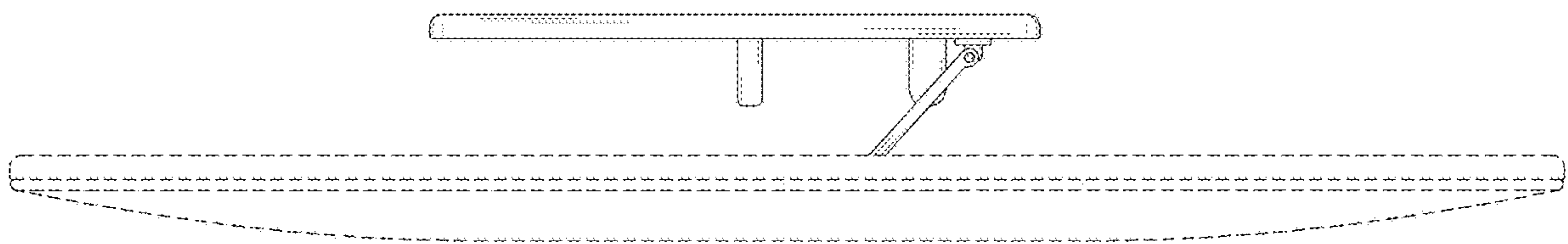


FIG. 10

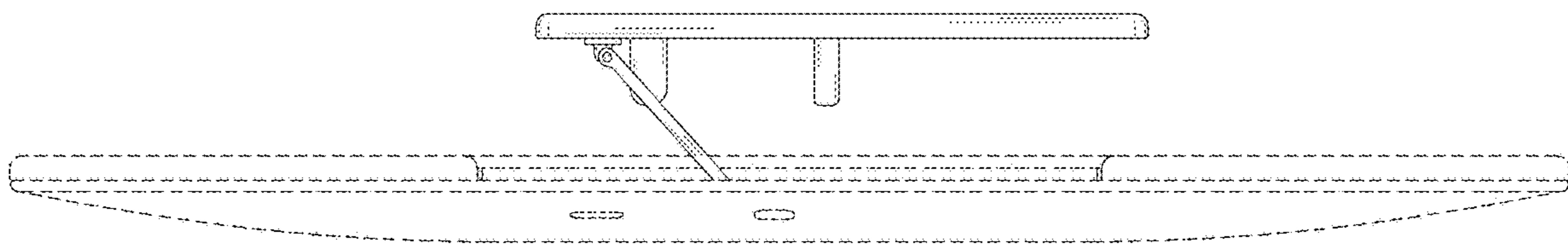


FIG. 11

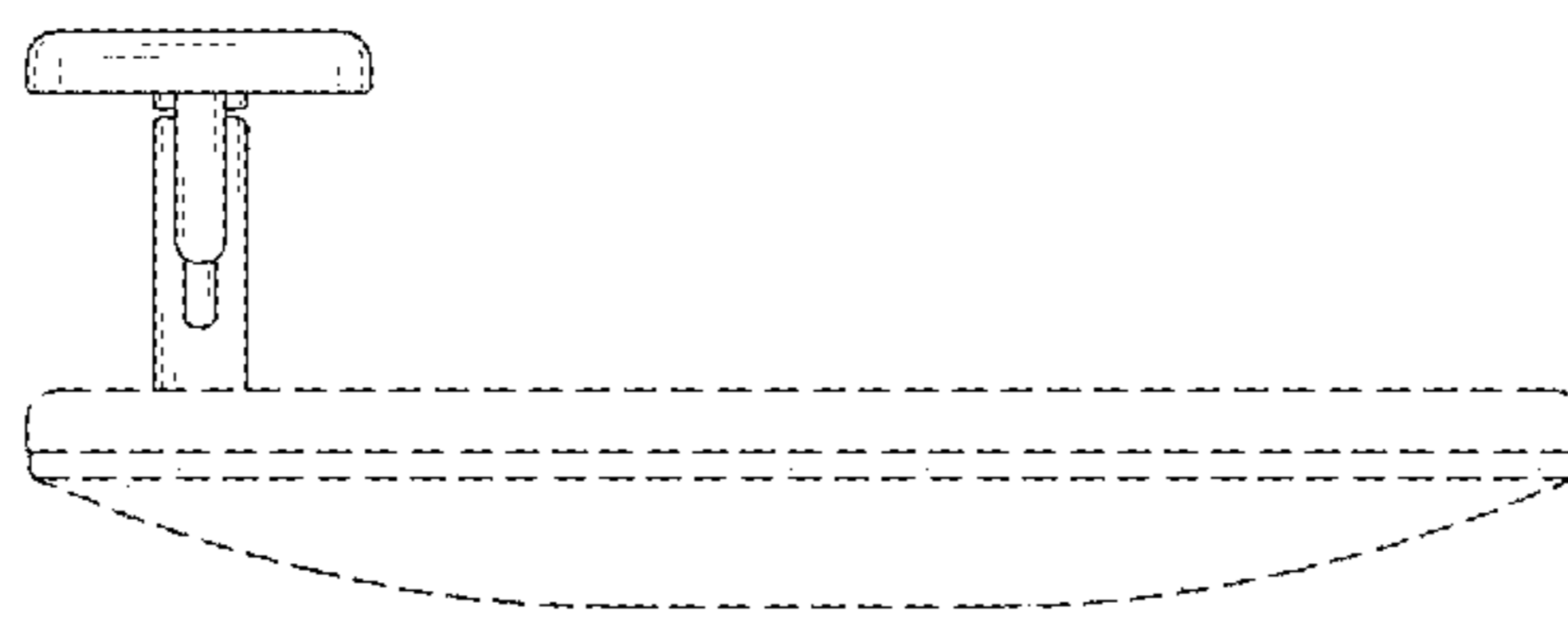


FIG. 12

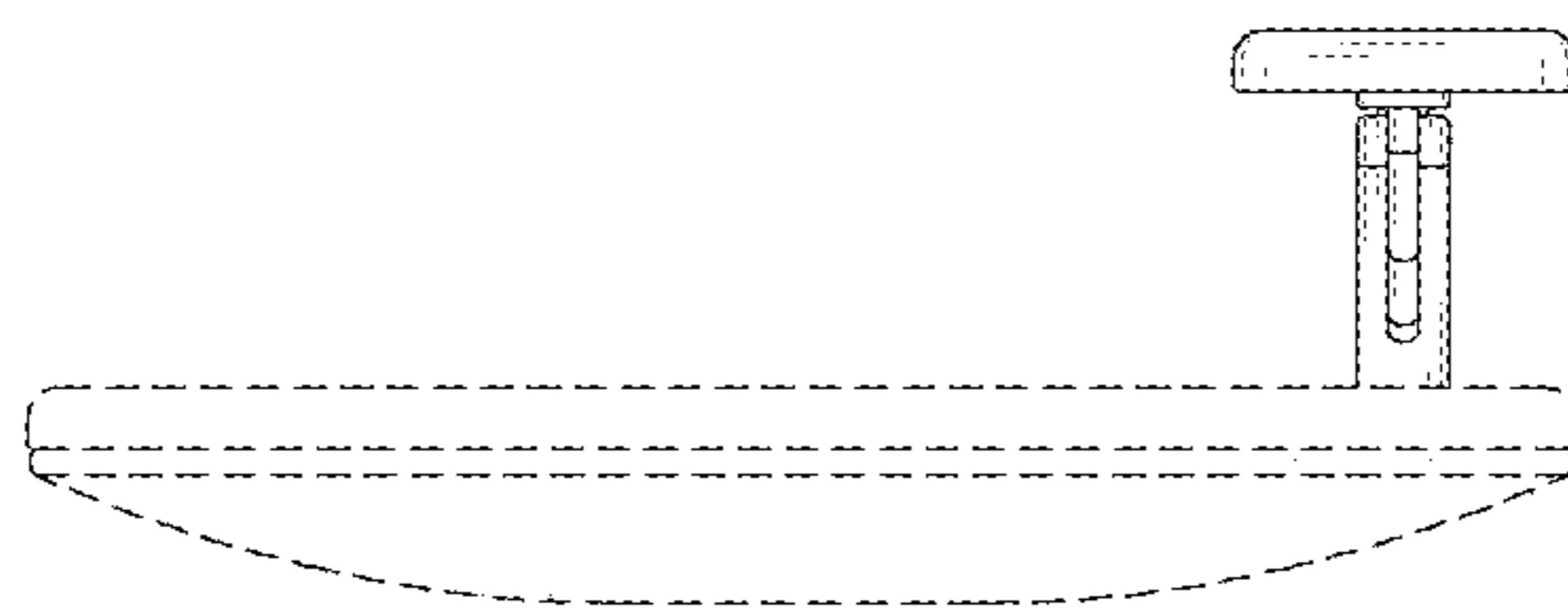


FIG. 13

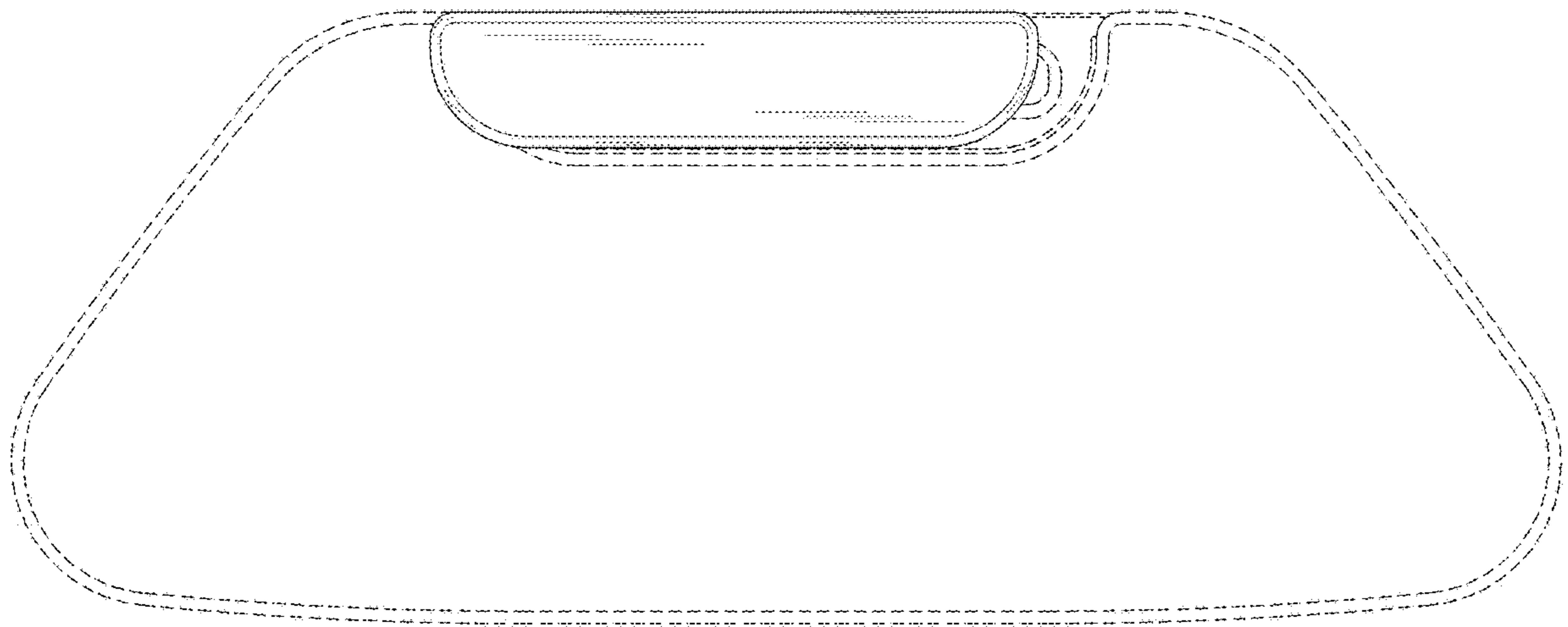


FIG. 14

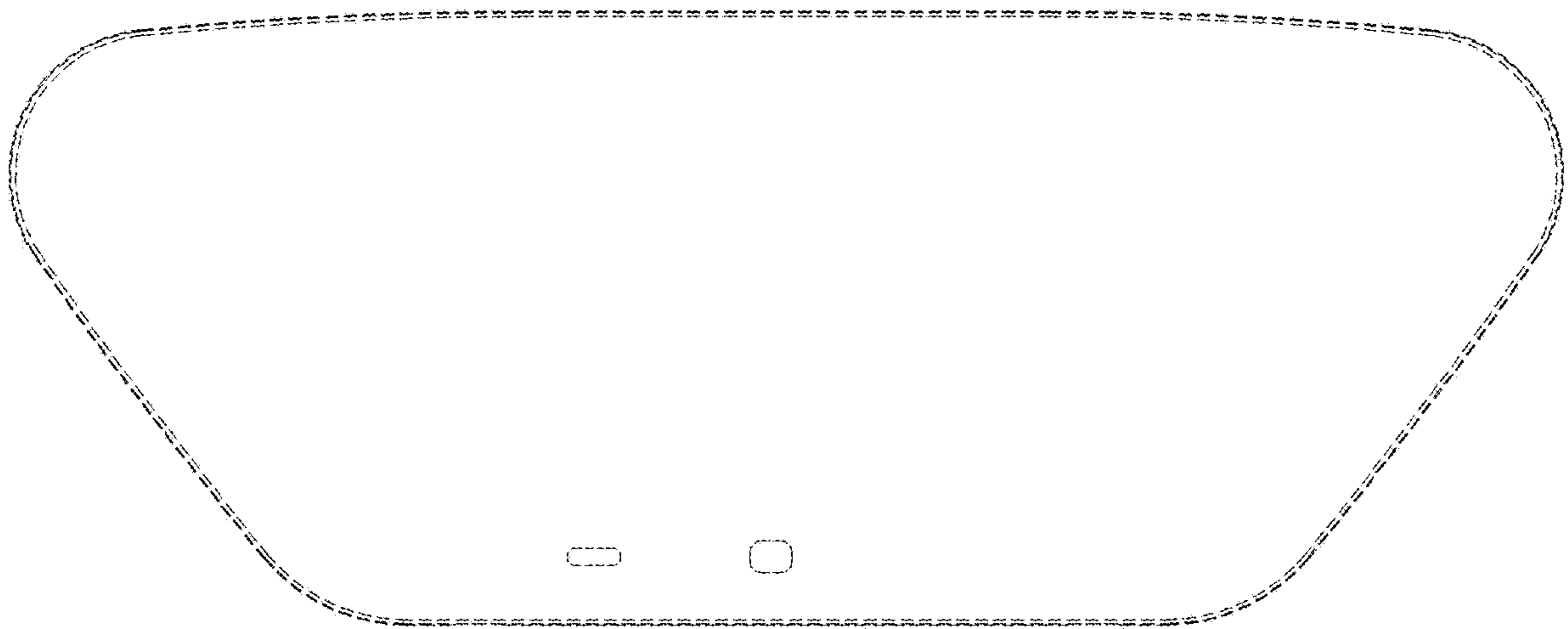


FIG. 15

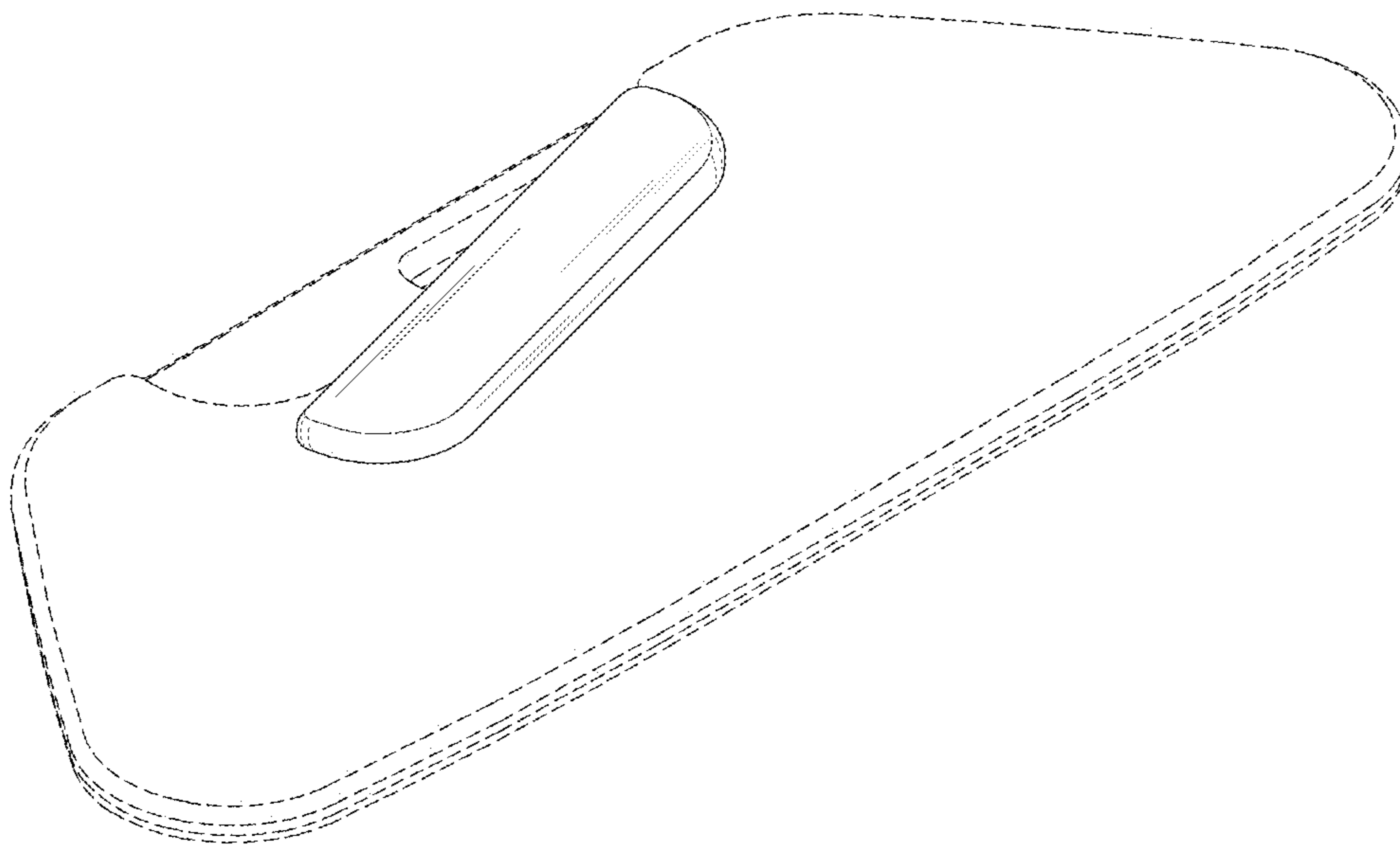


FIG. 16

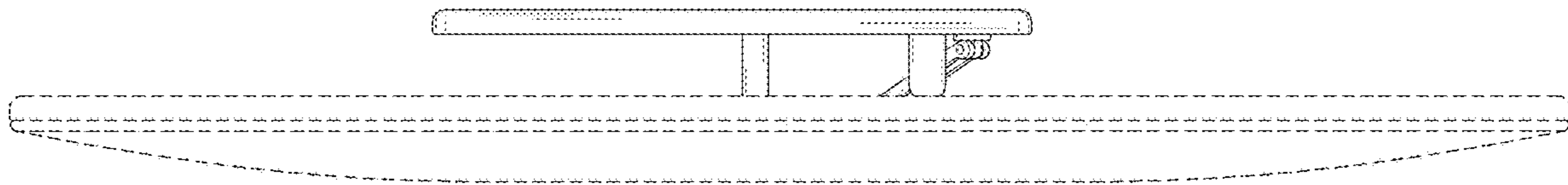


FIG. 17

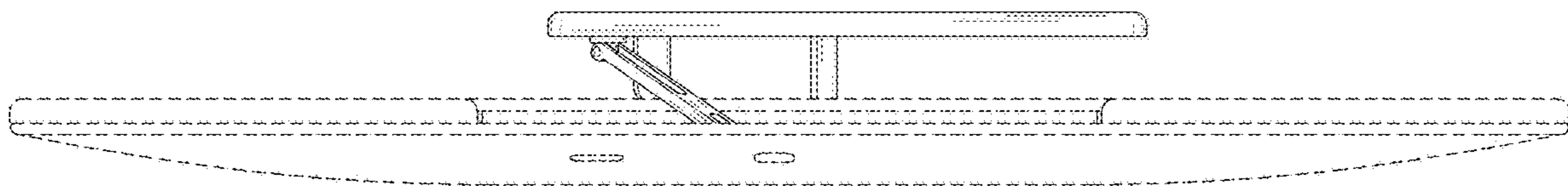


FIG. 18

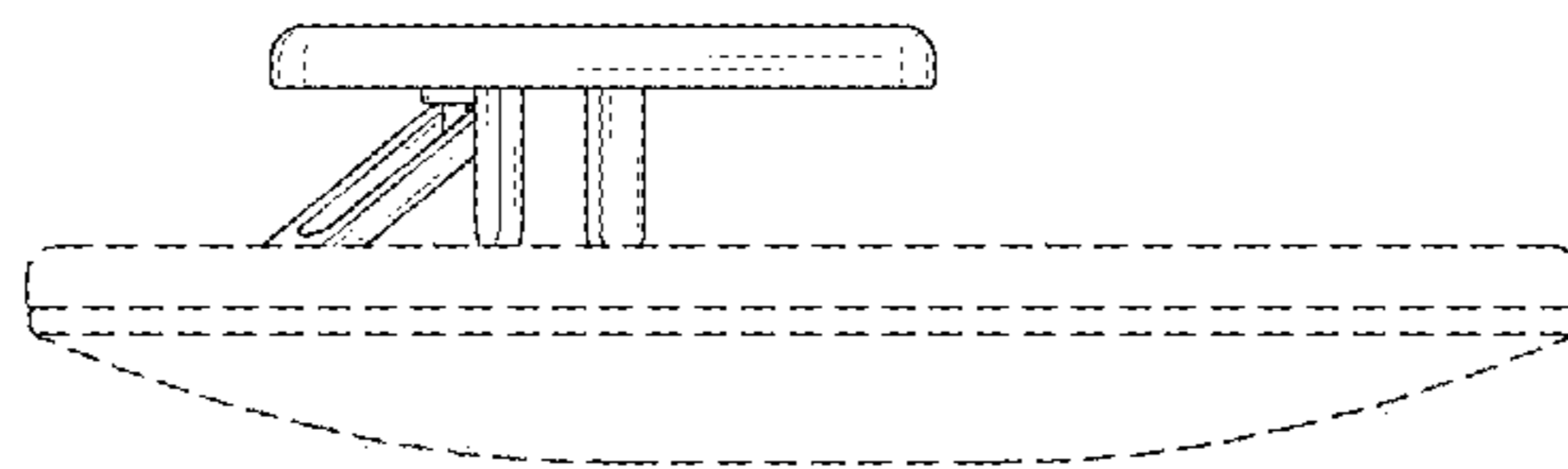


FIG. 19

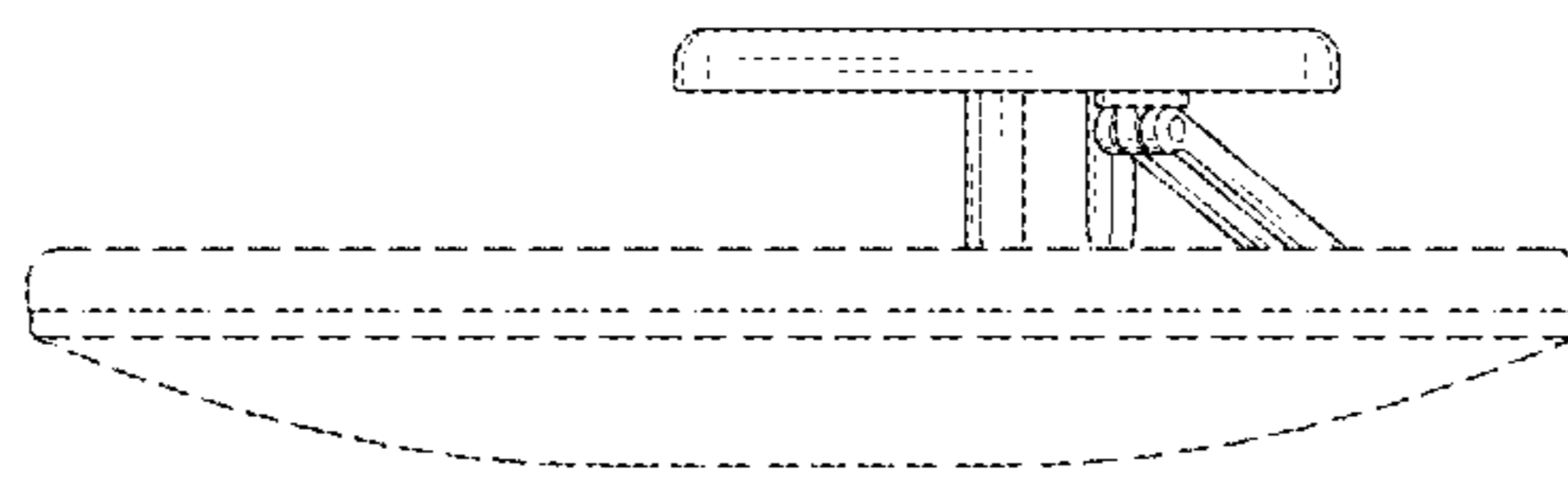


FIG. 20

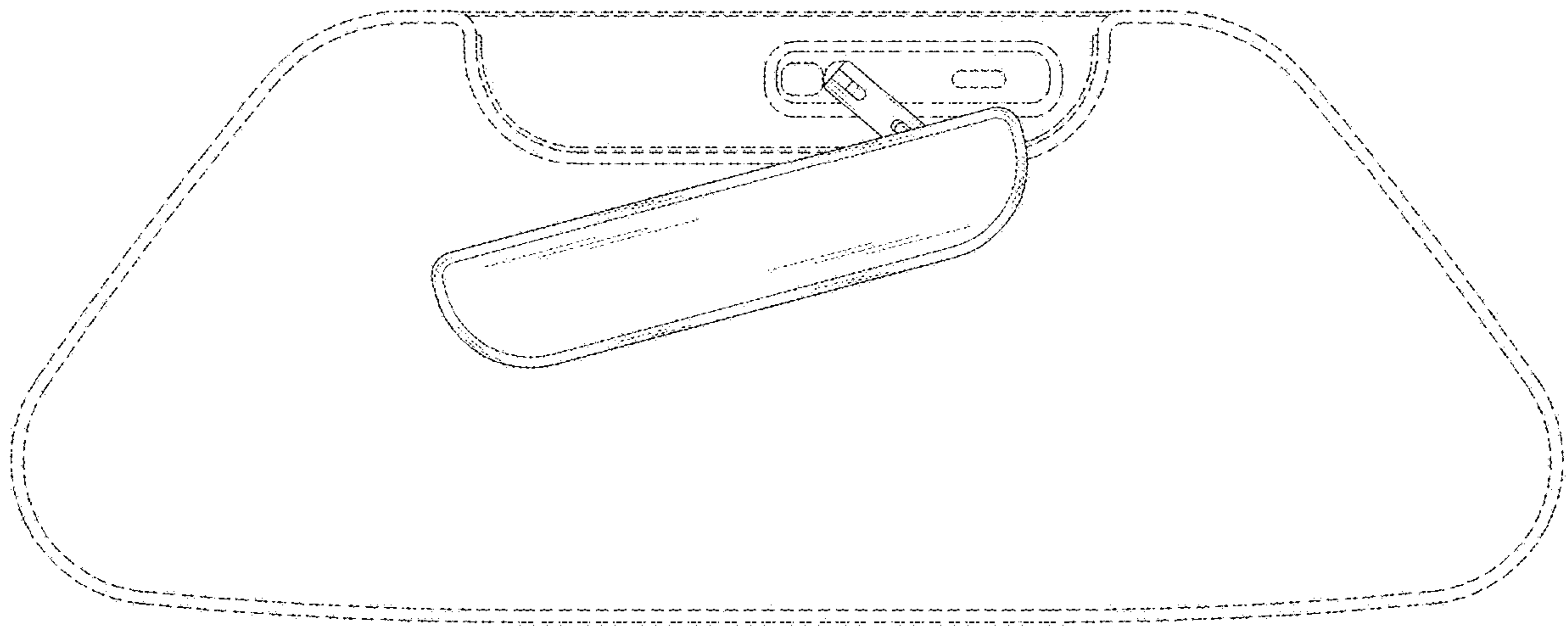


FIG. 21

