



US00D946853S

(12) **United States Design Patent**  
**Park et al.**

(10) **Patent No.:** **US D946,853 S**  
(45) **Date of Patent:** **\*\* Mar. 22, 2022**

(54) **IRONING BOARD**

(71) Applicant: **LG ELECTRONICS INC.**, Seoul (KR)  
(72) Inventors: **Kyutae Park**, Seoul (KR); **Jaecil Bae**, Seoul (KR); **Kyungah Lee**, Seoul (KR); **Hoil Jeon**, Seoul (KR); **Youngsoo Ha**, Seoul (KR)

(73) Assignee: **LG ELECTRONICS INC.**, Seoul (KR)

(\*\*) Term: **15 Years**

(21) Appl. No.: **29/724,732**

(22) Filed: **Feb. 19, 2020**

(30) **Foreign Application Priority Data**

Aug. 20, 2019 (KR) ..... 30-2019-0039785

(51) **LOC (13) Cl.** ..... **07-05**

(52) **U.S. Cl.**  
USPC ..... **D32/66**

(58) **Field of Classification Search**  
USPC ..... D32/6, 9, 35, 60, 66, 67; D21/526;  
D6/691.1, 691.3, 691.4, 559, 663, 668  
CPC ..... A47B 39/06; D06F 81/00; D06F 81/003;  
D06F 81/006; D06F 81/02; D06F 81/04;  
D06F 81/06; D06F 81/08; D06F 81/12;  
D06F 83/00; Y10S 38/02; Y10S 38/03;  
Y10T 292/305  
See application file for complete search history.

(56) **References Cited**

**U.S. PATENT DOCUMENTS**

D47,601 S \* 7/1915 Labadie ..... D3/274  
2,523,425 A \* 9/1950 Gargaglione ..... A47B 77/10  
108/13  
D334,491 S \* 4/1993 Poland ..... D6/663  
D367,196 S \* 2/1996 Mashal ..... D6/559  
D374,364 S \* 10/1996 Morris ..... D6/559

(Continued)

**FOREIGN PATENT DOCUMENTS**

GB 3008808 \* 8/2003  
JP D1178475 \* 7/2003  
KR 301125776.0000 \* 9/2001  
WO D206411-001 \* 8/2021  
WO D206451-001 \* 8/2021

**OTHER PUBLICATIONS**

Giantex Top Loading Water Dispenser with storage cabinet, available in Amazon.com, date 1st available Sep. 8, 2016 [online], [site visited Sep. 8, 2021]. Available from the internet URL: [https://www.amazon.com/Giantex-Loading-Dispenser-Temperature-Electric/dp/B0732HQL7X/ref=cm\\_cr\\_arp\\_d\\_product\\_top?ie=UTF8](https://www.amazon.com/Giantex-Loading-Dispenser-Temperature-Electric/dp/B0732HQL7X/ref=cm_cr_arp_d_product_top?ie=UTF8) (Year: 2016).\*

(Continued)

*Primary Examiner* — Dana K Weiland  
*Assistant Examiner* — Jennylou M Binas

(74) *Attorney, Agent, or Firm* — Birch, Stewart, Kolasch & Birch, LLP

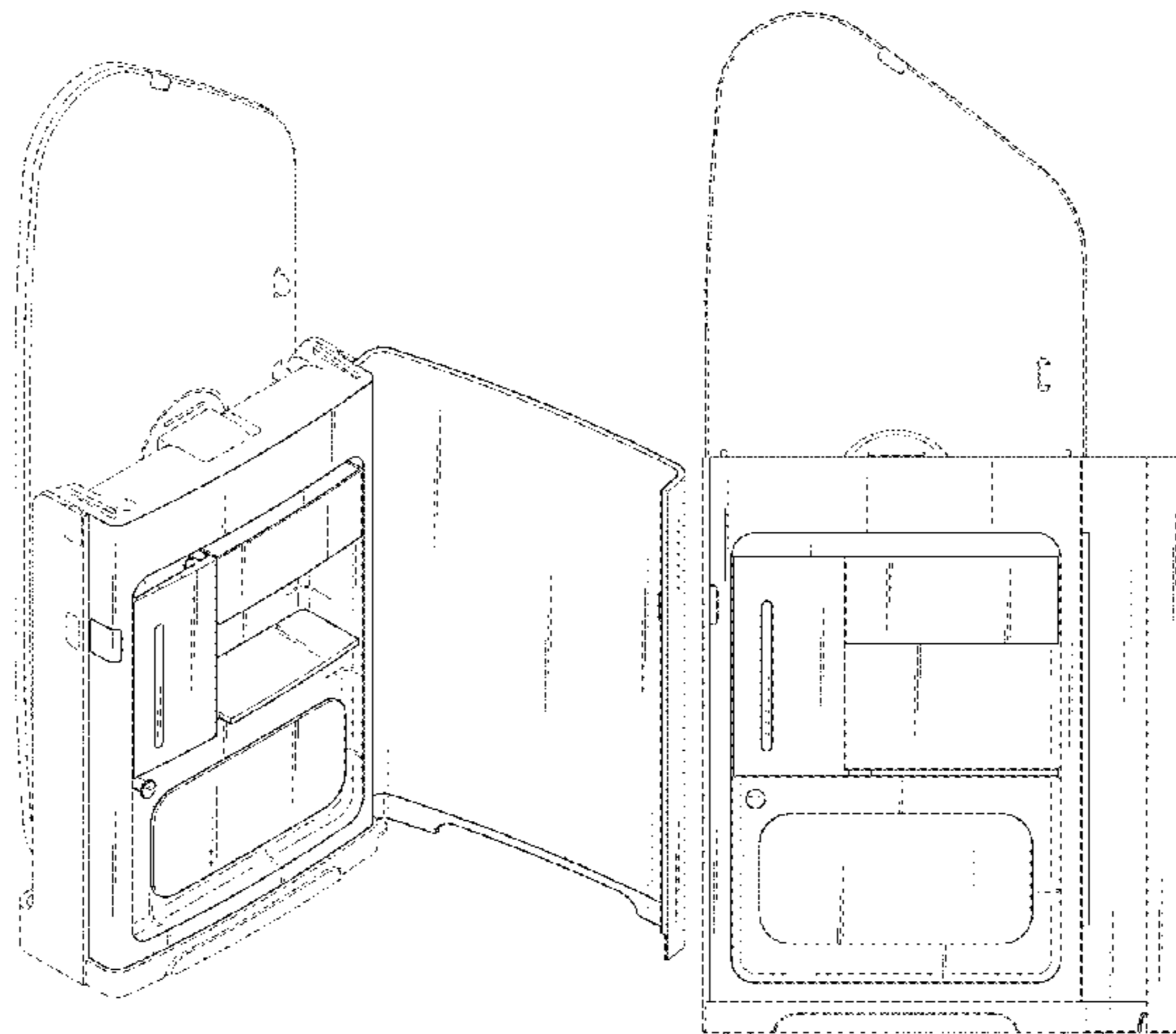
(57) **CLAIM**

We claim the ornamental design for an ironing board, as shown and described.

**DESCRIPTION**

FIG. 1 is a perspective view of an ironing board showing the new design;  
FIG. 2 is a front elevation view thereof;  
FIG. 3 is a rear elevation view thereof;  
FIG. 4 is a left-side elevation view thereof;  
FIG. 5 is a right-side elevation view thereof;  
FIG. 6 is a top plan view thereof; and,  
FIG. 7 is a bottom plan view thereof.  
The parts of the ironing board shown by means of broken lines in the drawing figures are not part of the claimed design.

**1 Claim, 7 Drawing Sheets**



(56)

**References Cited**

U.S. PATENT DOCUMENTS

D413,699 S *	9/1999	Evans .....	D32/37
D476,782 S *	7/2003	Huddleston .....	D32/6
D497,069 S *	10/2004	Aisley .....	D6/559
D543,671 S *	5/2007	Chu .....	D32/66
D543,672 S *	5/2007	Chu .....	D32/66
D545,103 S *	6/2007	Shapiro .....	D6/559
D638,592 S *	5/2011	Suh .....	D32/8
D732,771 S *	6/2015	Chung .....	D32/25
D836,271 S *	12/2018	Chung .....	D32/6
D936,320 S *	11/2021	Bae .....	D32/66

OTHER PUBLICATIONS

ImPress Ironing Station, announced 2002 [online], [site visited Sep. 13, 2021], Available from the internet, URL: <[https://applianceassistant.com/ServiceManuals/8178203\\_I-73\\_whirlpool\\_impress\\_ironing\\_station.pdf](https://applianceassistant.com/ServiceManuals/8178203_I-73_whirlpool_impress_ironing_station.pdf)> (Year: 2002).\*

Boahaus 5202 Ironing Board Cabinet Assembly, announced in YouTube on Oct. 4, 2018 [online], [site visited Sep. 13, 2021], Available from the internet URL: <https://www.youtube.com/watch?v=x9ZPL1KPJMM> (Year: 2018).\*

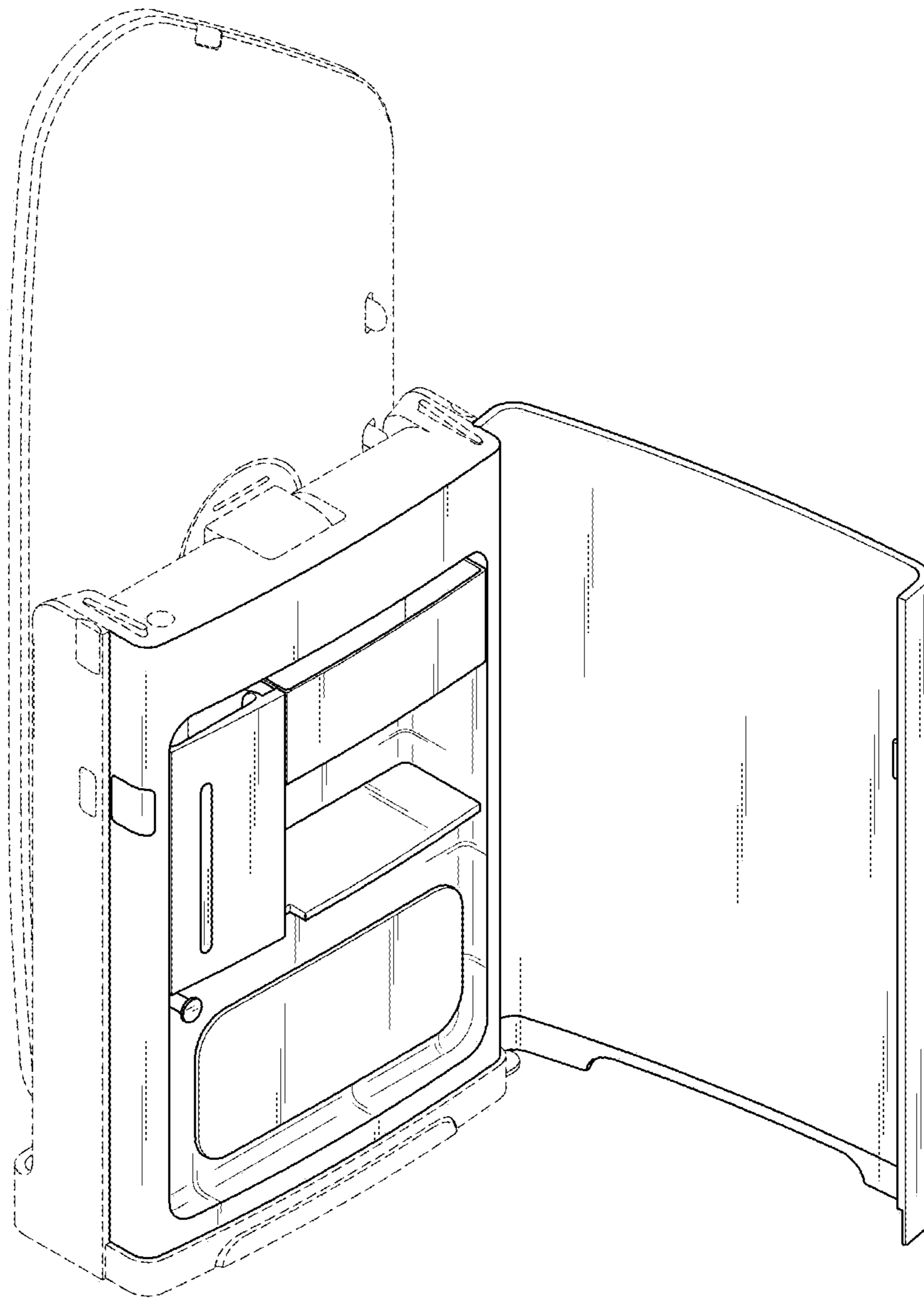
Miele B 3312 FashionMaster Ironing Station, available in Amazon.de, date first available Sep. 30, 2016 [online], [site visited Sep. 13, 2021], Available from the internet URL: [https://www.amazon.de/Miele-3312-FashionMaster-Dampfb%C3%BCgelsystem-Wabensohle/dp/B01LIT41EM?ref\\_=ast\\_sto\\_dp](https://www.amazon.de/Miele-3312-FashionMaster-Dampfb%C3%BCgelsystem-Wabensohle/dp/B01LIT41EM?ref_=ast_sto_dp) (Year: 2016).\*

10 Best Ironing Boards to Buy in 2021, available in [www.goodhousekeeping.com](http://www.goodhousekeeping.com), announced May 24, 2021 [online], [site visited Nov. 16, 2020], Internet URL: <https://www.goodhousekeeping.com/home-products/g36343446/best-ironing-board/> (Year: 2021).\*

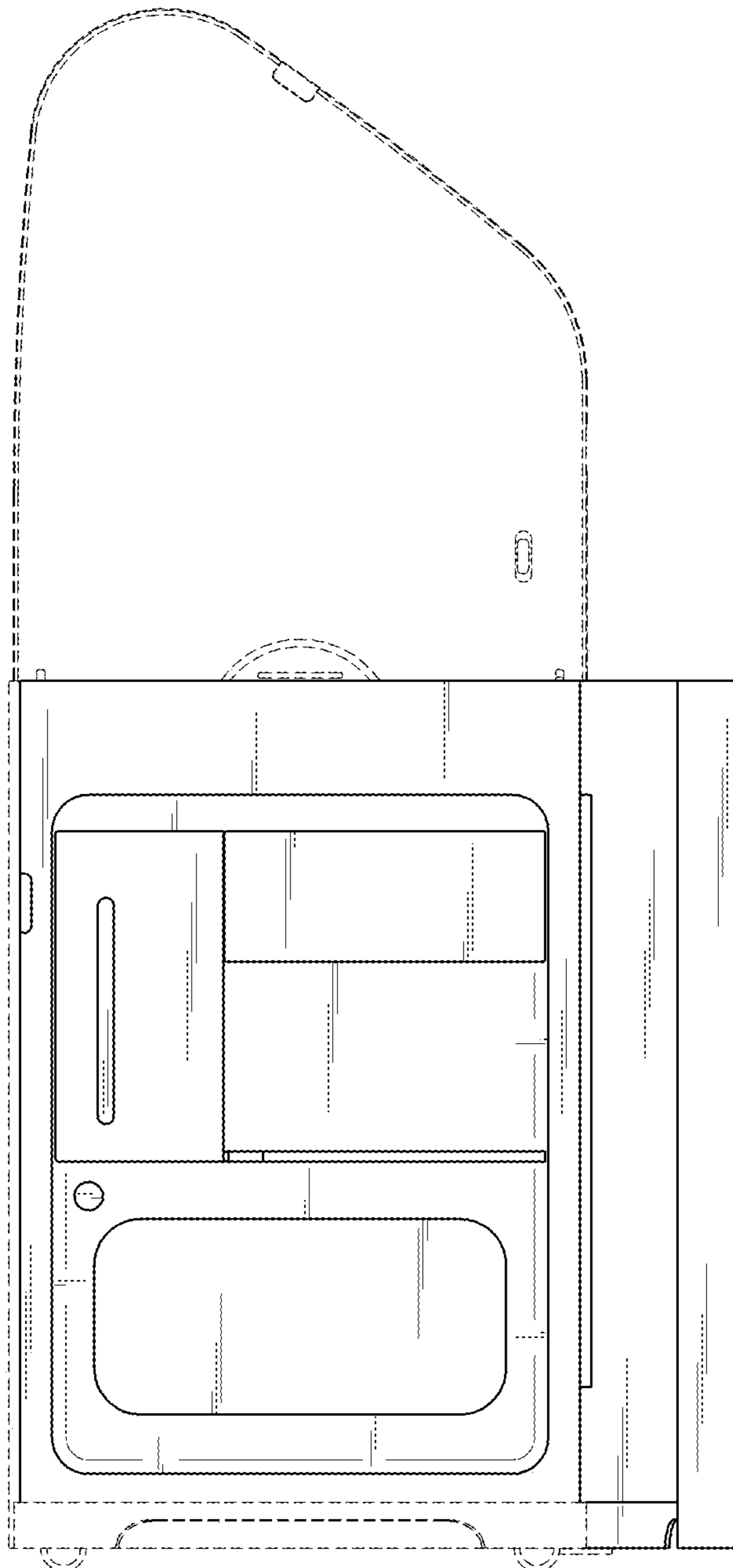
KAPAS Adjustable Garment Steamer, available in [freestuff.cafe](http://freestuff.cafe), announced May 5, 2021 [online], [site visited Sep. 9, 2021], URL: <https://freestuff.cafe/deals/kapas-adjustable-garment-steamer-accessories-for-clothes-build-in-rotatable-ironing-board-211-water-tank-8-ironing-options-for-different-clothes/> (Year: 2021).\*

\* cited by examiner

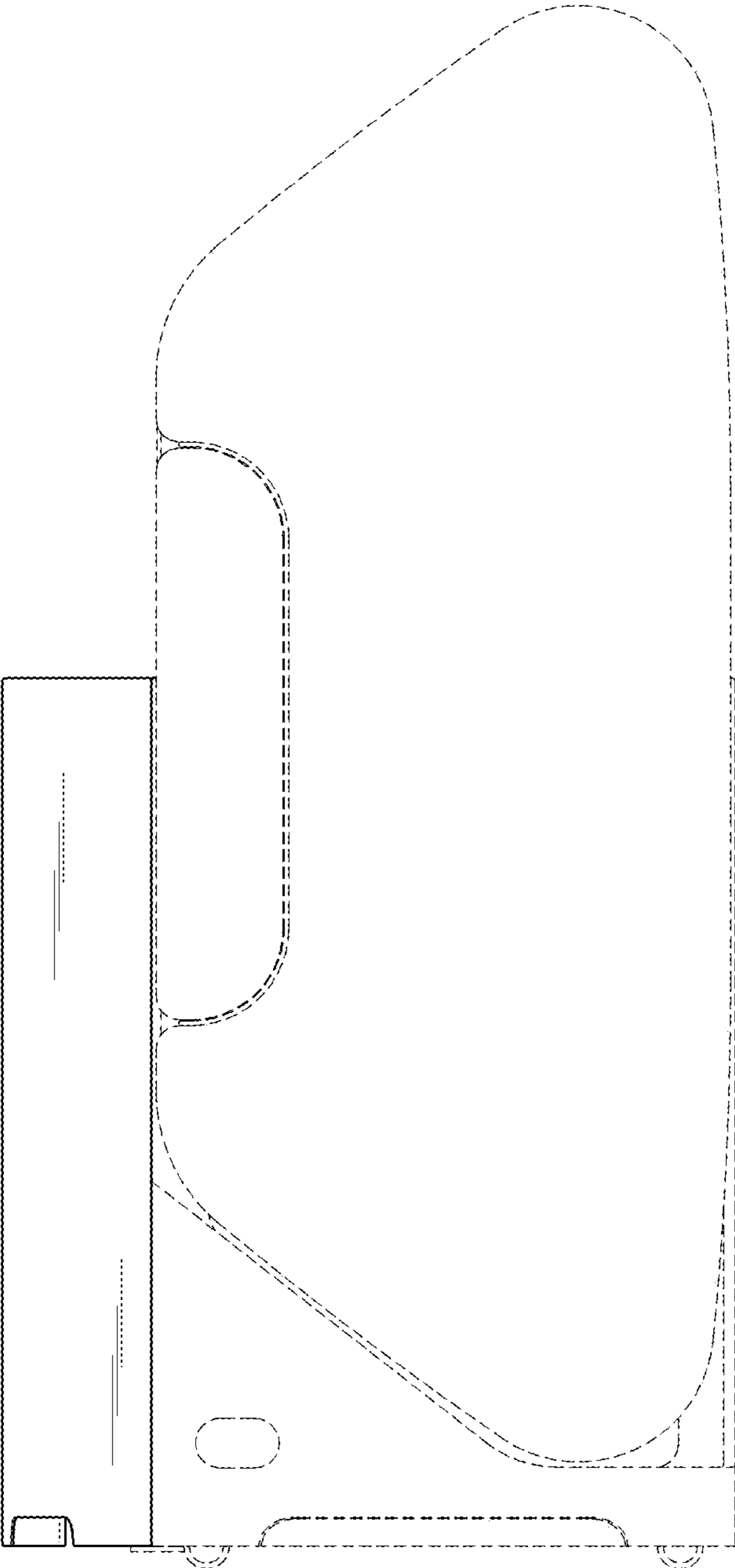
*FIG. 1*



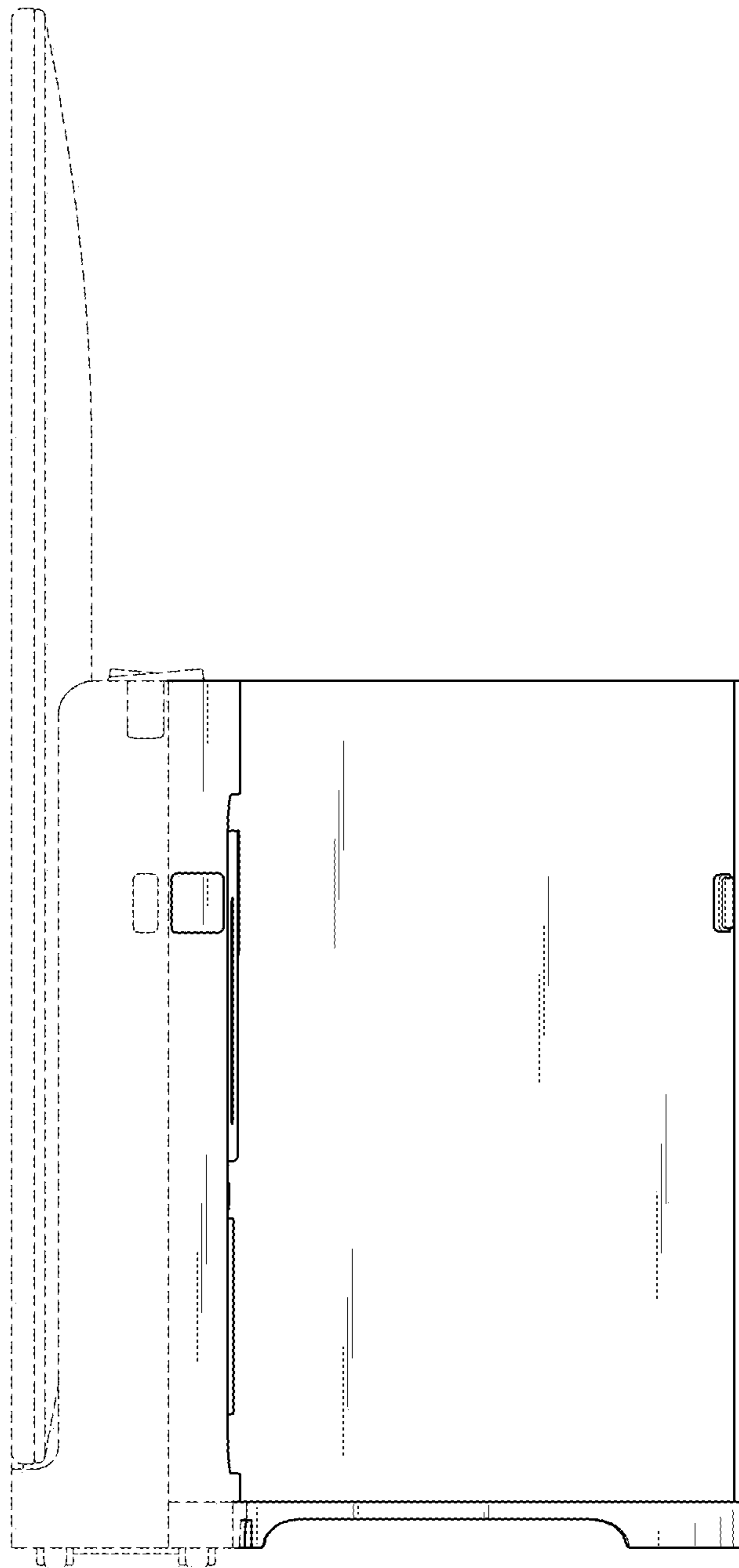
*FIG. 2*



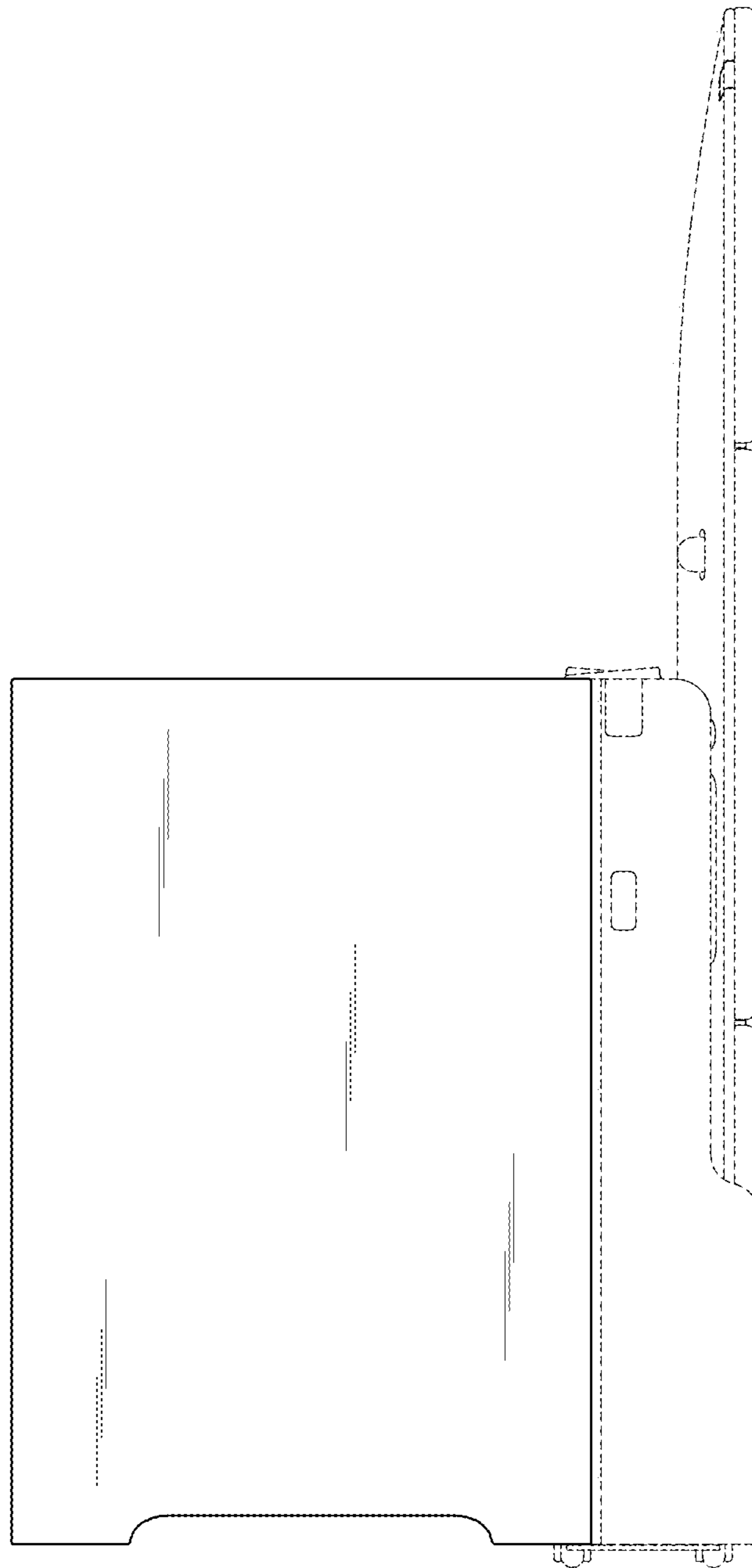
*FIG. 3*



*FIG. 4*



*FIG. 5*



*FIG. 6*





*FIG. 7*

