



US00D946852S

(12) **United States Design Patent**
Shiflett, Jr. et al.

(10) **Patent No.:** **US D946,852 S**
(45) **Date of Patent:** **** Mar. 22, 2022**

- (54) **BUCKET ORGANIZER**
- (71) Applicants: **Ronald C. Shiflett, Jr.**, Midlothian, VA (US); **Grant H. Caldwell**, Midlothian, VA (US); **Timothy J. Powell**, Steinhatchee, FL (US); **Kenneth D. Robertson**, Midlothian, VA (US)
- (72) Inventors: **Ronald C. Shiflett, Jr.**, Midlothian, VA (US); **Grant H. Caldwell**, Midlothian, VA (US); **Timothy J. Powell**, Steinhatchee, FL (US); **Kenneth D. Robertson**, Midlothian, VA (US)

- 4,765,472 A * 8/1988 Dent A47J 47/18
206/373
- 4,826,007 A * 5/1989 Skeie A63H 33/30
206/373
- 5,350,065 A * 9/1994 Darrey B25H 3/00
206/373
- 5,379,885 A * 1/1995 Chen B25H 3/04
206/216
- D382,998 S * 9/1997 Conigliaro D3/313
(Continued)

(**) Term: **15 Years**

(21) Appl. No.: **29/751,694**

(22) Filed: **Sep. 23, 2020**

Related U.S. Application Data

(63) Continuation of application No. 29/679,281, filed on Feb. 4, 2019, now Pat. No. Des. 899,020.

(51) **LOC (13) Cl.** **07-05**

(52) **U.S. Cl.**
USPC **D32/53; D8/71**

(58) **Field of Classification Search**
USPC D32/37, 53, 53.1, 54; D3/304, 307, 315, D3/905; D23/284, 288, 290; D7/603; D21/532
CPC B44D 3/123; B44D 3/128; B44D 3/12; B44D 3/126; B44D 3/127; B65D 2543/00092; B65D 5/22; B65D 5/244; B25H 3/04; E04F 21/02
See application file for complete search history.

(56) **References Cited**

U.S. PATENT DOCUMENTS

- 1,569,157 A * 1/1926 Thompson A47F 3/14
224/610
- 4,362,243 A * 12/1982 Deyesso B25H 3/02
206/373

Primary Examiner — Calvin E Vansant
(74) *Attorney, Agent, or Firm* — Russell Manning; FisherBroyles, LLP

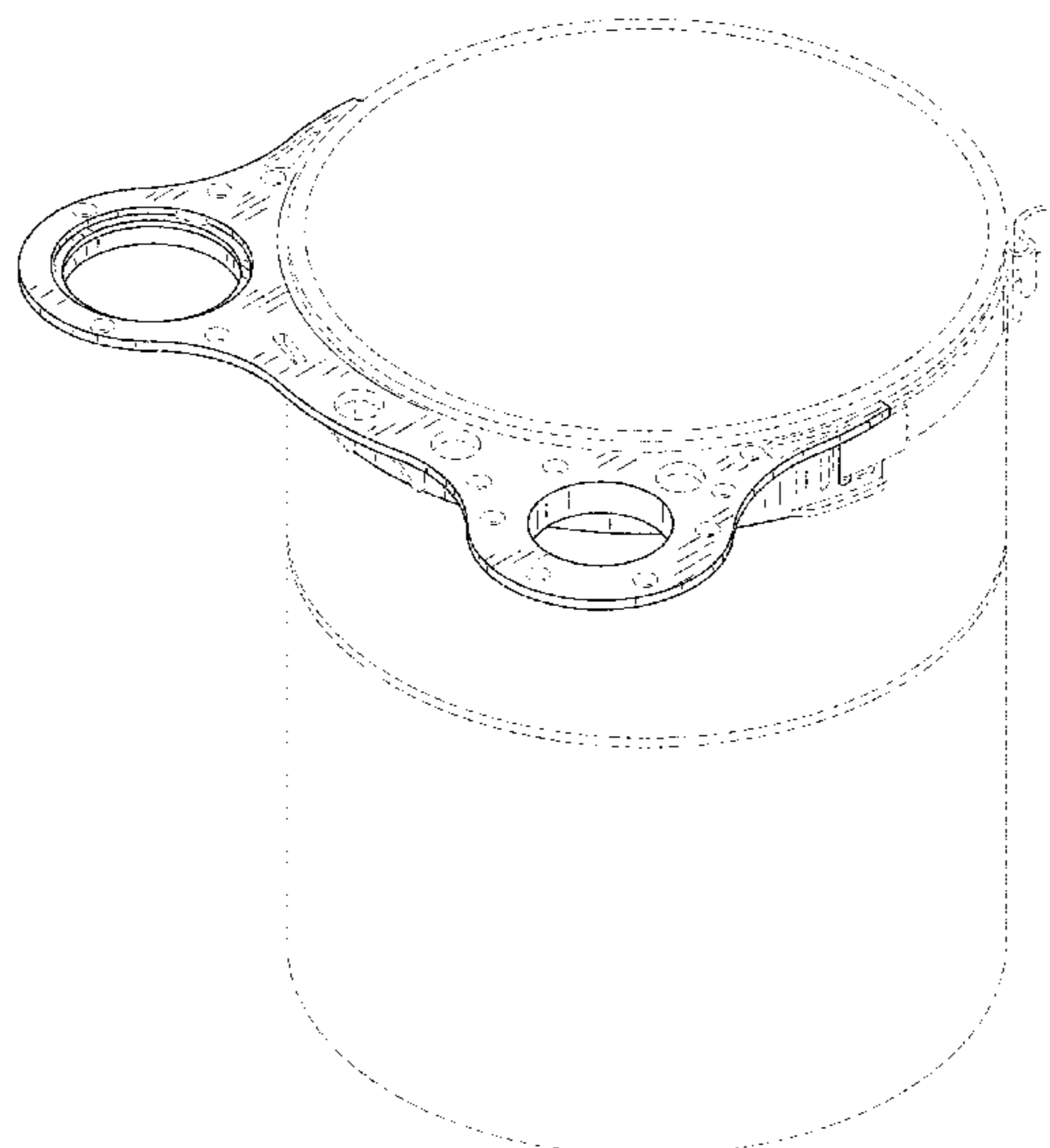
(57) **CLAIM**

The ornamental design for a bucket organizer, as shown and described.

DESCRIPTION

FIG. 1 is perspective view of the bucket organizer attached to a bucket as environment;
FIG. 2 is perspective view of the bucket organizer with an attachment strap as environment;
FIG. 3 is perspective view of the bucket organizer;
FIG. 4 is a right side view of the bucket organizer;
FIG. 5 is left side view of the bucket organizer;
FIG. 6 is a rear view of the bucket organizer;
FIG. 7 is a front view of the bucket organizer;
FIG. 8 is a top view of the bucket organizer; and,
FIG. 9 is a bottom view of the bucket organizer.
The broken lines of FIGS. 1 and 2 depicting a strap and a bucket illustrate environment and form no part of the claimed design; the broken lines in the figures depict portions of the bucket organizer that form no part of the claim.

1 Claim, 7 Drawing Sheets



(56)

References Cited

U.S. PATENT DOCUMENTS

6,360,891 B1 * 3/2002 Rideout B25H 3/00
206/372
6,769,553 B1 * 8/2004 Hurt A47F 7/0028
211/60.1
7,044,424 B2 * 5/2006 Robertson A47F 3/0439
206/561
D628,386 S * 12/2010 Kohn A47B 97/00
D3/313
7,954,649 B1 * 6/2011 Froehlich B25H 3/003
211/69
8,567,640 B1 * 10/2013 Johnson-Lofton A61J 7/0069
221/232
9,056,756 B1 * 6/2015 De Marco A47G 25/0614
9,585,476 B2 * 3/2017 Swisher A47B 97/00
D843,546 S * 3/2019 Fagin D22/147
2006/0277814 A1 * 12/2006 Lucky A01K 97/10
43/21.2
2018/0222034 A1 * 8/2018 Jackson B25H 3/02
2019/0009949 A1 * 1/2019 Castillo B65D 25/10
2020/0122889 A1 * 4/2020 Caldwell B65D 25/20
2021/0070502 A1 * 3/2021 Shiflett, Jr. B65D 25/20

* cited by examiner

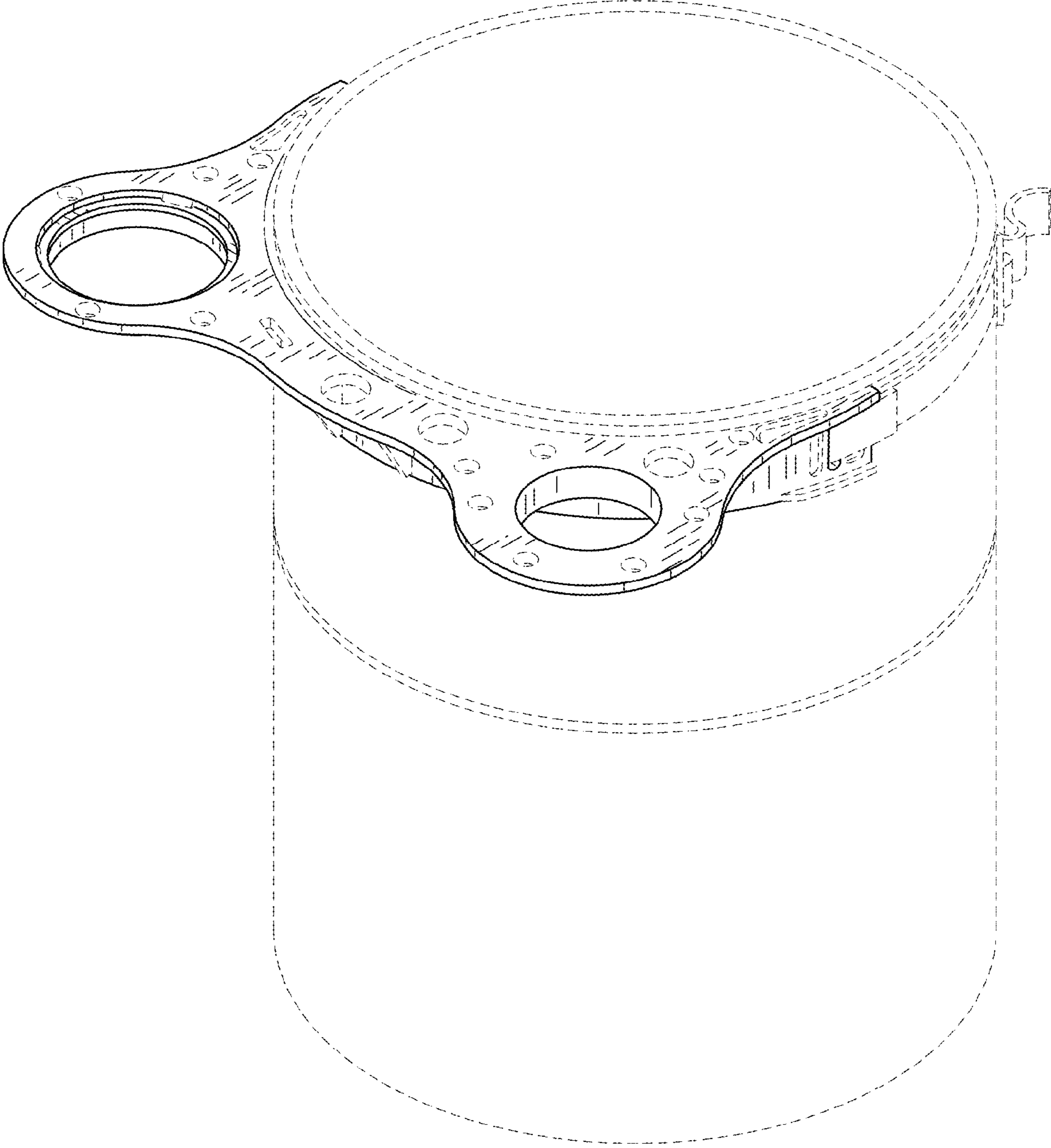


FIG.1

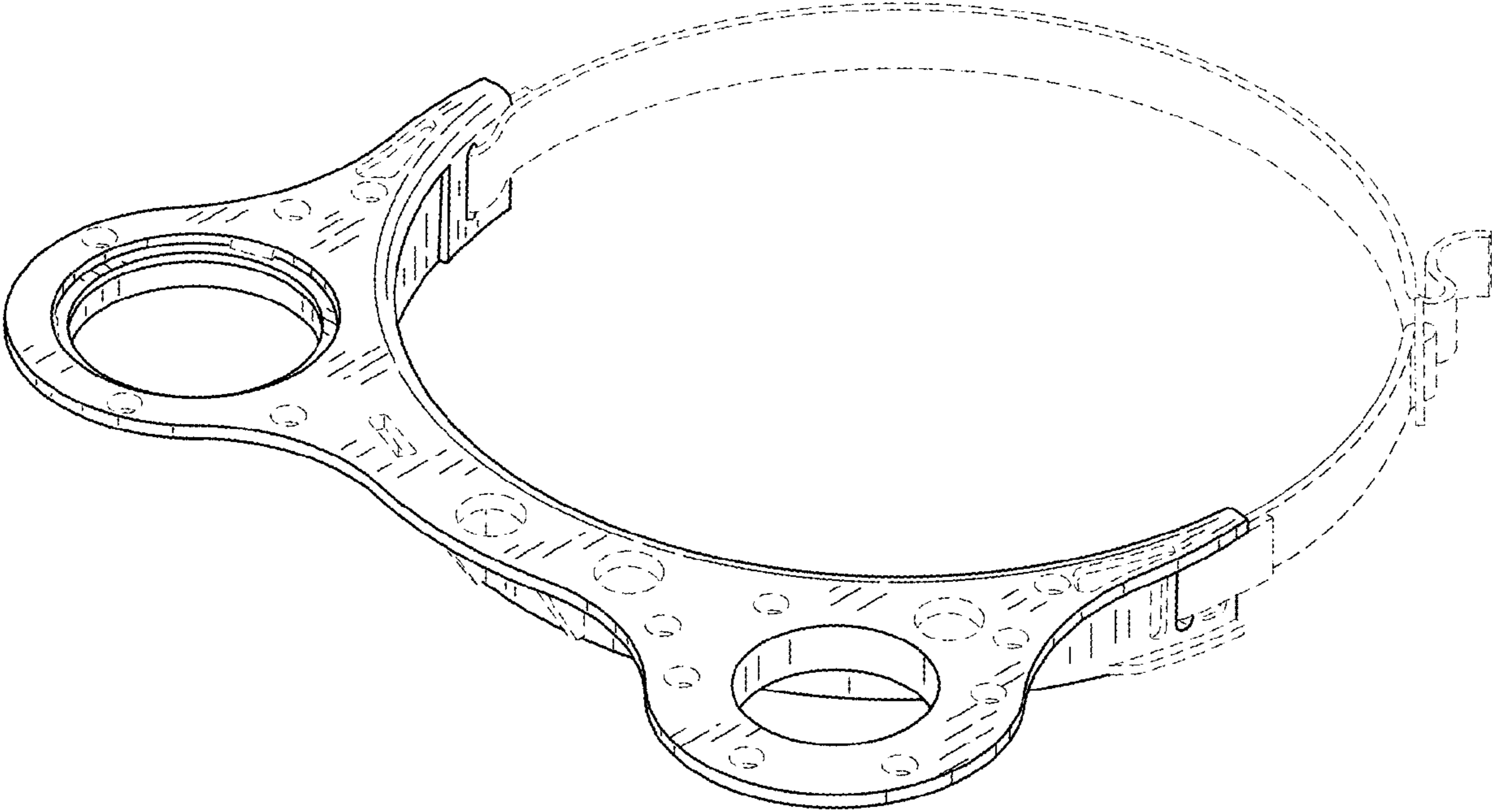


FIG.2

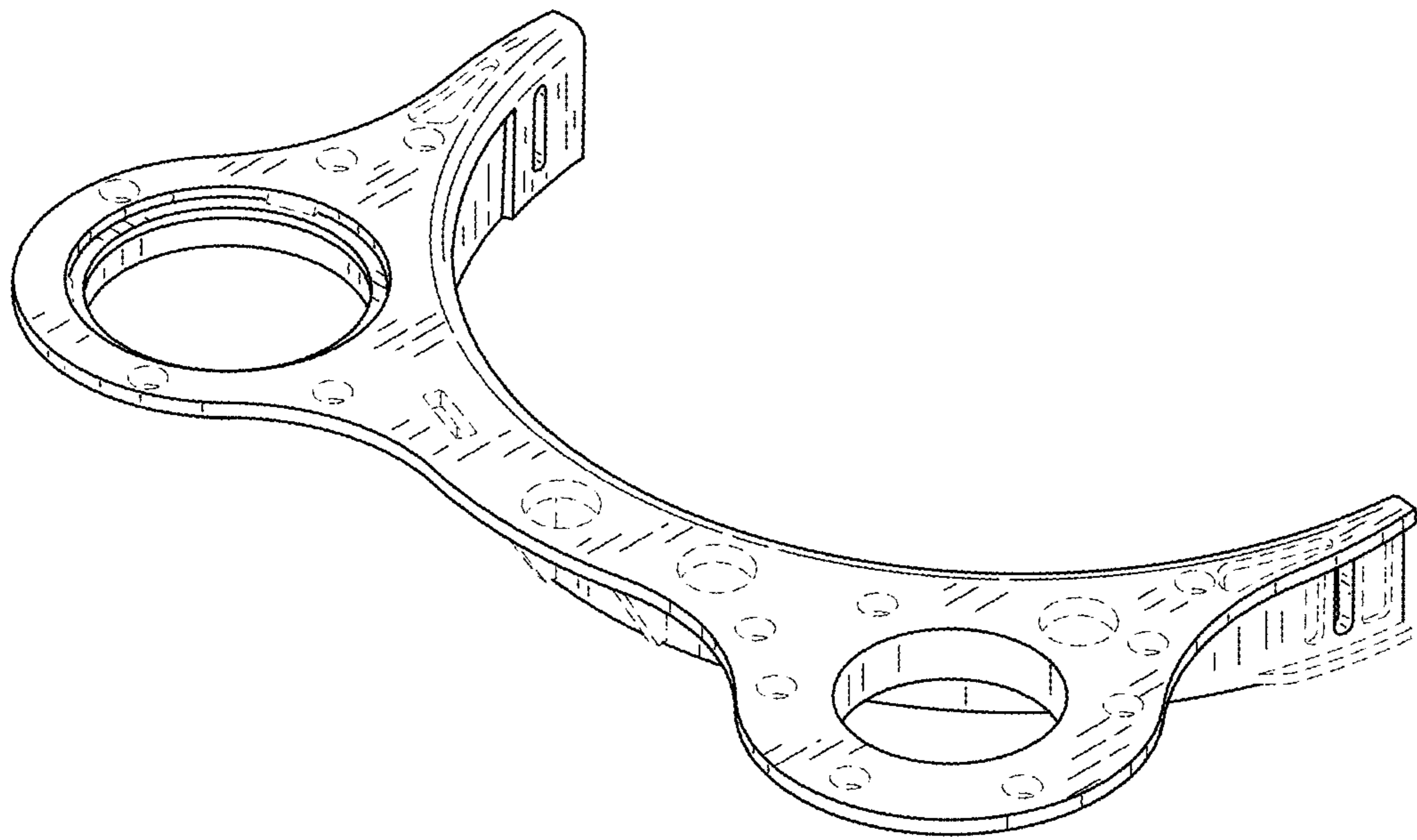


FIG.3

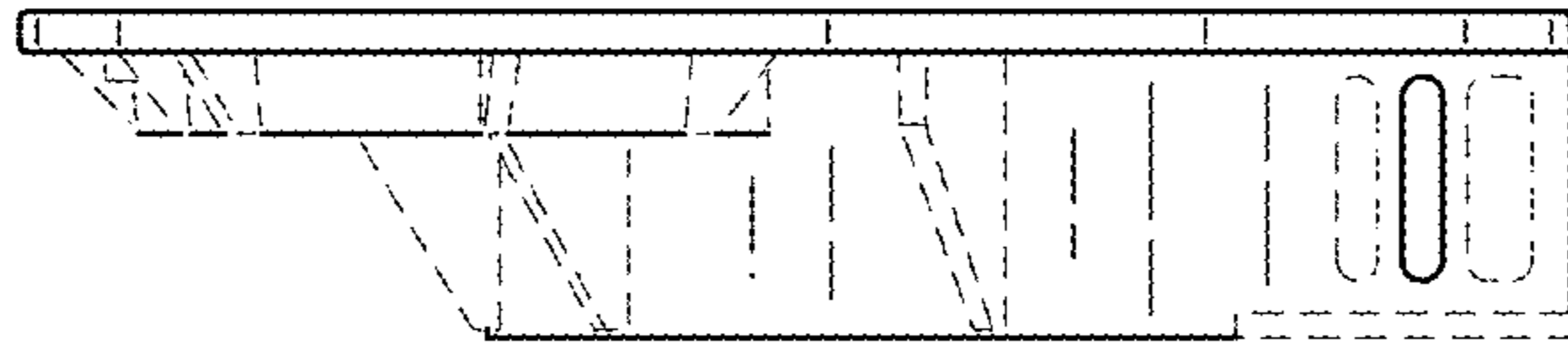


FIG.4

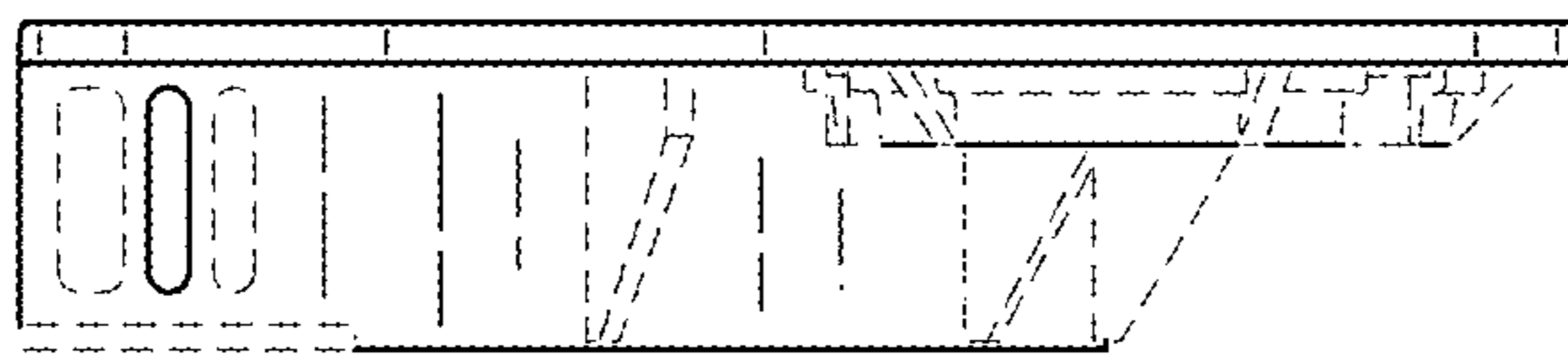


FIG.5

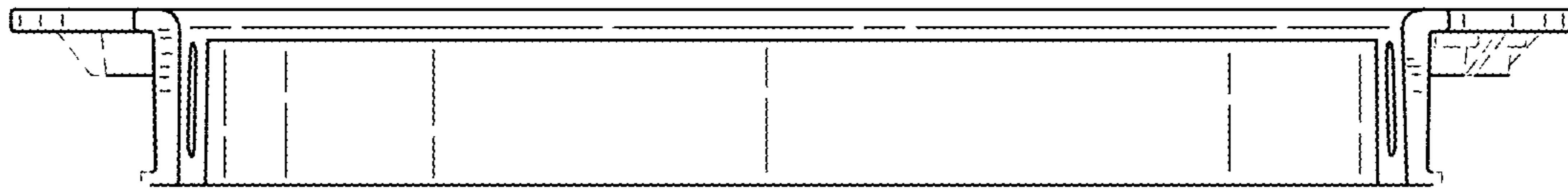


FIG. 6

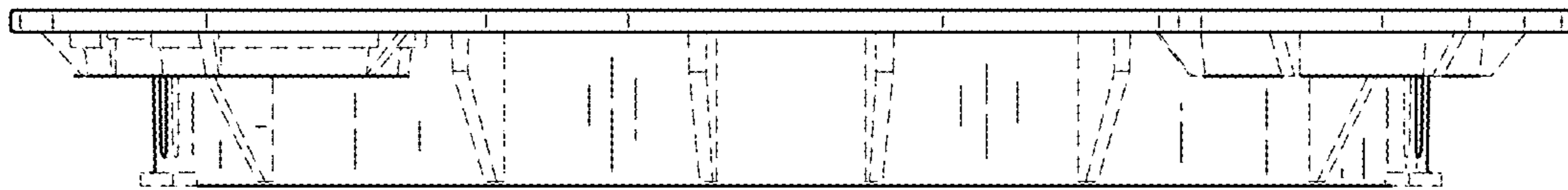


FIG. 7

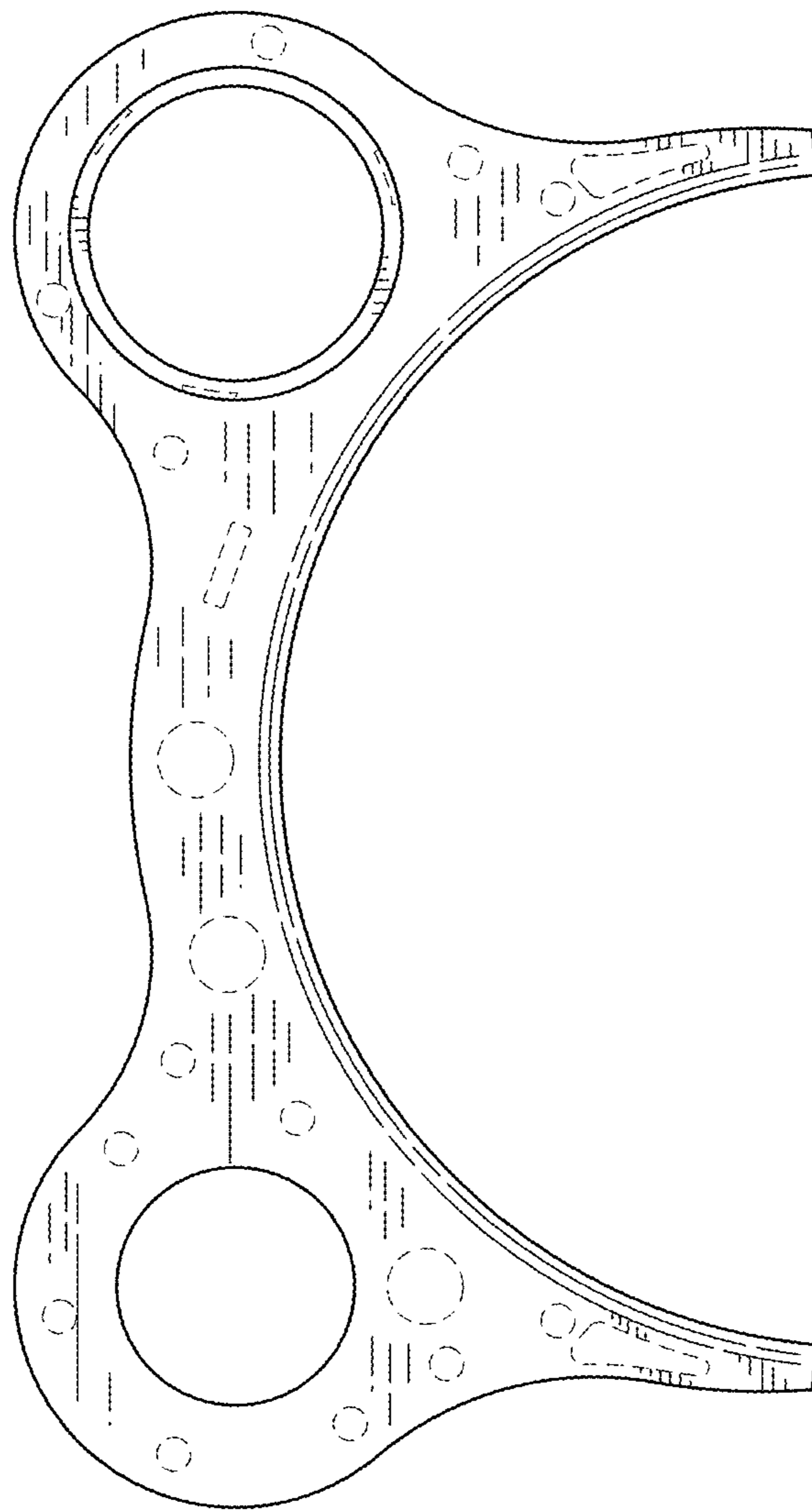


FIG.8

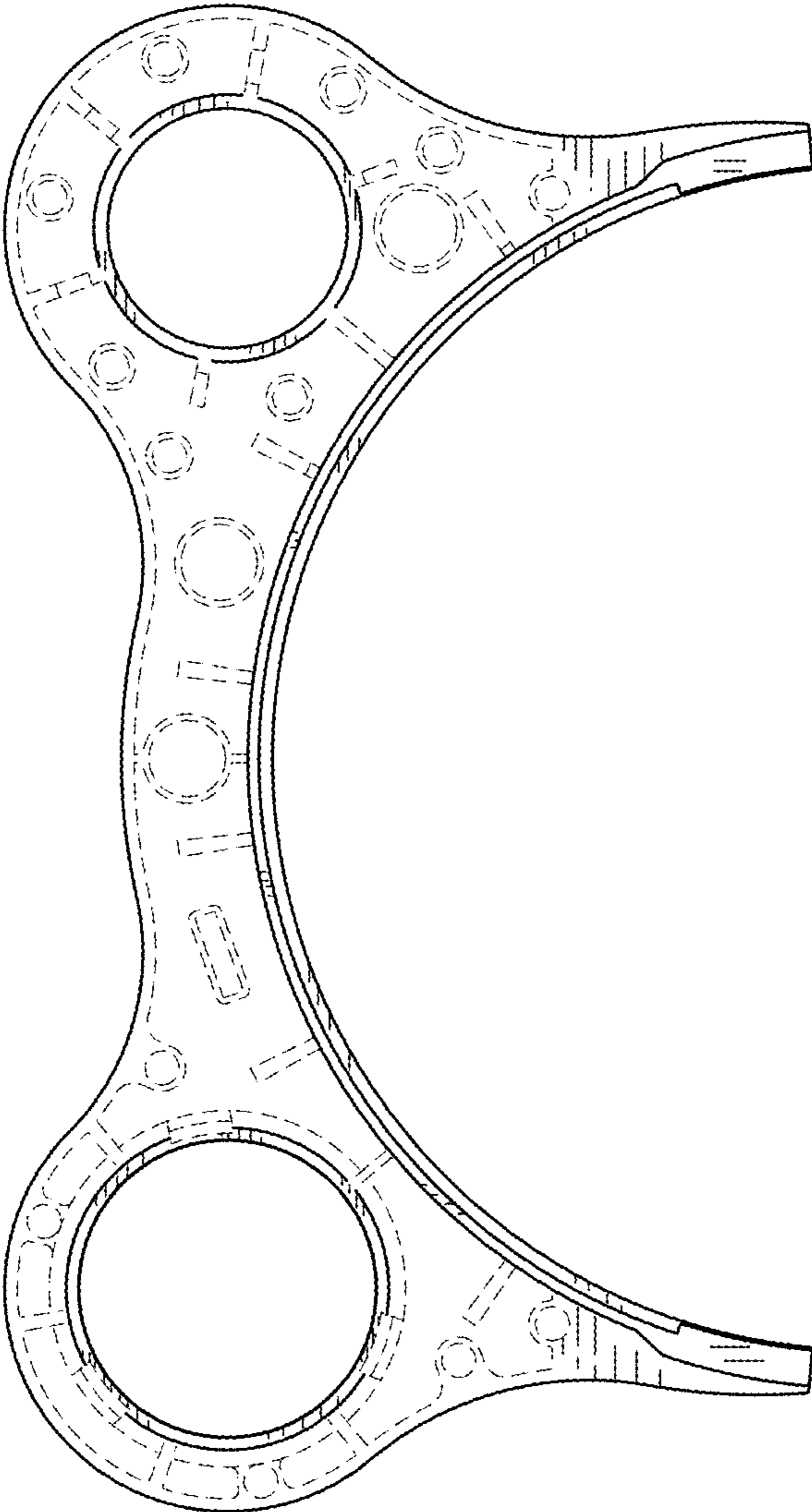


FIG.9