

US00D946841S

(12) **United States Design Patent**  
**Ruble**

(10) **Patent No.:** **US D946,841 S**  
(45) **Date of Patent:** **\*\* Mar. 22, 2022**

(54) **CLEANING IMPLEMENT**

(71) Applicant: **Gene David Ruble**, The Colony, TX  
(US)

(72) Inventor: **Gene David Ruble**, The Colony, TX  
(US)

(\*\*) Term: **15 Years**

(21) Appl. No.: **29/681,789**

(22) Filed: **Feb. 28, 2019**

**Related U.S. Application Data**

(63) Continuation-in-part of application No. 15/788,970,  
filed on Oct. 20, 2017, now Pat. No. 10,653,285.

(51) **LOC (13) Cl.** ..... **15-05**

(52) **U.S. Cl.**  
USPC ..... **D32/25**

(58) **Field of Classification Search**  
USPC ..... D32/30–33, 40–43, 46–49, 25, 20  
CPC ..... A47L 13/02; A47L 13/08; A47L 9/06  
See application file for complete search history.

(56) **References Cited**

**U.S. PATENT DOCUMENTS**

- 2,435,009 A \* 1/1948 Kief ..... B41F 31/04  
15/256.51
- 4,190,181 A \* 2/1980 Arnaud ..... A47L 15/4418  
134/120
- D271,149 S \* 10/1983 Castiglione ..... 15/236.05
- D274,148 S \* 6/1984 Levy ..... D32/48
- D274,567 S \* 7/1984 Levy ..... D32/48
- D274,953 S \* 7/1984 Gringer ..... D32/48
- D472,024 S \* 3/2003 Caldwell ..... B26B 19/14  
D32/32
- D479,636 S \* 9/2003 Kitts ..... D32/32
- D483,162 S \* 12/2003 Lausevic ..... D32/32

(Continued)

*Primary Examiner* — John R Yeh

(74) *Attorney, Agent, or Firm* — Jeffrey Roddy

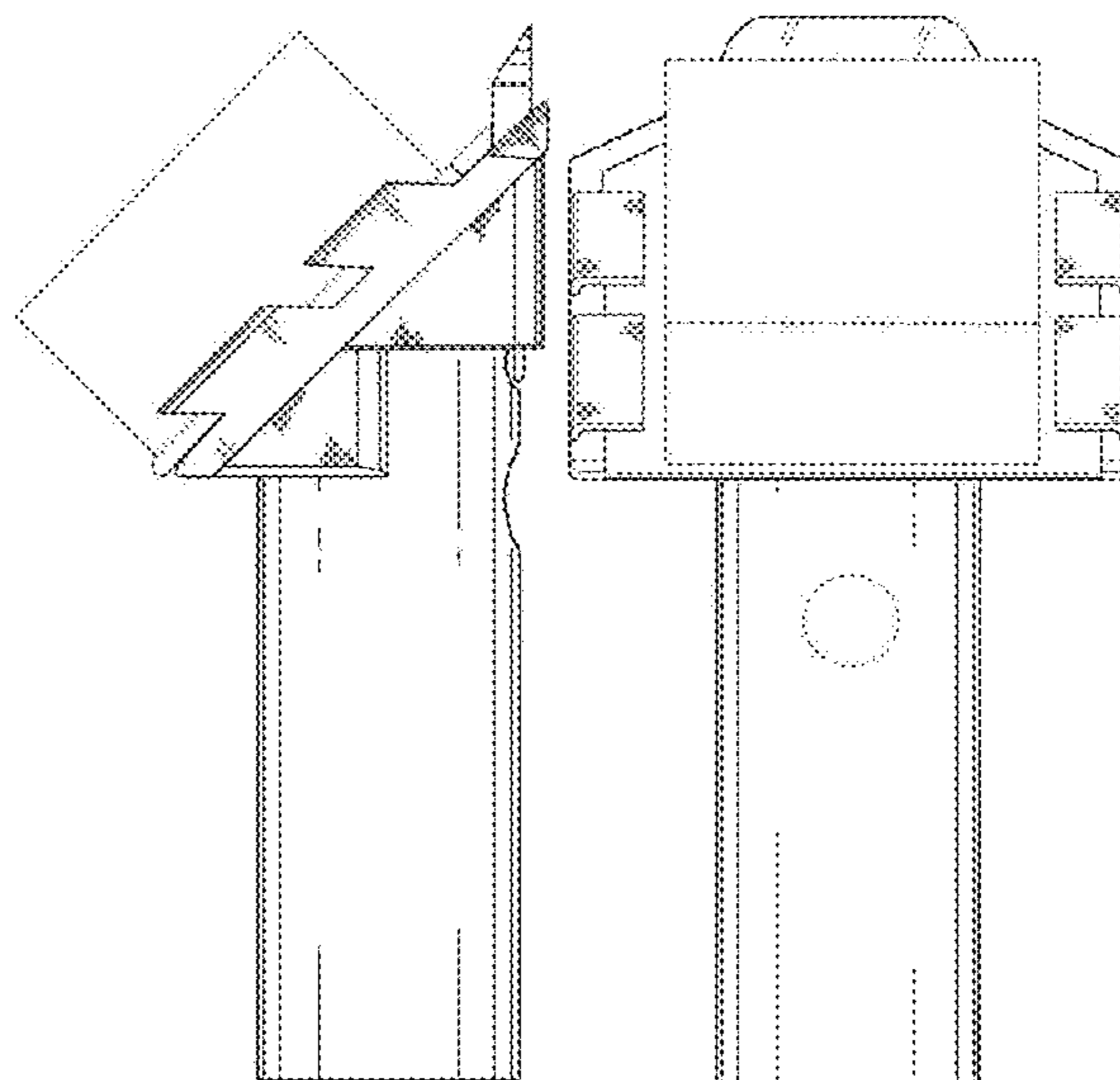
(57) **CLAIM**

The ornamental design for a cleaning implement, as shown and described.

**DESCRIPTION**

FIG. 1 is a right side elevation of my new design for a cleaning implement without the scraper portion;  
 FIG. 2 is a front elevation view thereof;  
 FIG. 3 is a rear elevation view thereof;  
 FIG. 4 is a front, top, left side perspective view thereof;  
 FIG. 5 is a right side elevation of the scraper portion without the cleaning implement;  
 FIG. 6 is a right side, top, front perspective view thereof;  
 FIG. 7 is a right side, top, rear perspective view thereof;  
 FIG. 8 is a front elevation view thereof;  
 FIG. 9 is a rear elevation view thereof;  
 FIG. 10 is a top, rear, left side perspective view of the cleaning implement with scraper portion inserted;  
 FIG. 11 is a right side elevation view thereof;  
 FIG. 12 is a front elevation view thereof;  
 FIG. 13 is a rear elevation taken thereof;  
 FIG. 14 is a left side elevation of the cleaning implement with the scraper portion and scrubbing pad component inserted;  
 FIG. 15 is front elevation view thereof;  
 FIG. 16 is a rear elevation view thereof;  
 FIG. 17 is a right side elevation view of the scrubbing pad component without the cleaning implement;  
 FIG. 18 is a front elevation view thereof;  
 FIG. 19 is a front, top, left side perspective view thereof;  
 FIG. 20 is a left side perspective view of the fully assembled cleaning implement shown in an environment of use; and,  
 FIG. 21 is a top, rear, left side perspective view thereof shown in another environment of use.  
 The broken lines depict portions of the cleaning implement that form no part of the claimed design.

**1 Claim, 9 Drawing Sheets**



(56)

**References Cited**

U.S. PATENT DOCUMENTS

D674,978	S *	1/2013	Hill	.....	D32/32
D722,734	S *	2/2015	Jang	.....	D32/31
D793,638	S *	8/2017	LaBarbera	.....	D32/32
D852,443	S *	6/2019	Martin	.....	D32/33
D868,406	S *	11/2019	Bond	.....	D32/32
D880,791	S *	4/2020	Ducette, Jr	.....	D32/32
D880,793	S *	4/2020	Ducette, Jr.	.....	D32/32
D922,014	S *	6/2021	Roschi	.....	D32/32
2002/0095737	A1 *	7/2002	Panfili	.....	A47L 13/022 15/143.1
2004/0045127	A1 *	3/2004	Albert	.....	A47L 9/0633 15/415.1
2008/0096037	A1 *	4/2008	Daxelmuller	.....	C22C 38/04 428/546
2008/0109986	A1 *	5/2008	Loveless	.....	A47L 9/06 15/401
2008/0131036	A1 *	6/2008	Keller	.....	F16C 29/0645 384/15
2009/0241770	A1 *	10/2009	Blythe	.....	F02B 77/04 92/260
2009/0241990	A1 *	10/2009	Smith	.....	B08B 1/00 134/6
2010/0005619	A1 *	1/2010	Loveless	.....	A47L 9/0673 15/401
2010/0031513	A1 *	2/2010	Lin	.....	E04G 23/006 30/169
2012/0144609	A1 *	6/2012	Nakano	.....	A63C 11/08 15/104.8
2012/0204377	A1 *	8/2012	White	.....	A47L 7/0042 15/322

\* cited by examiner

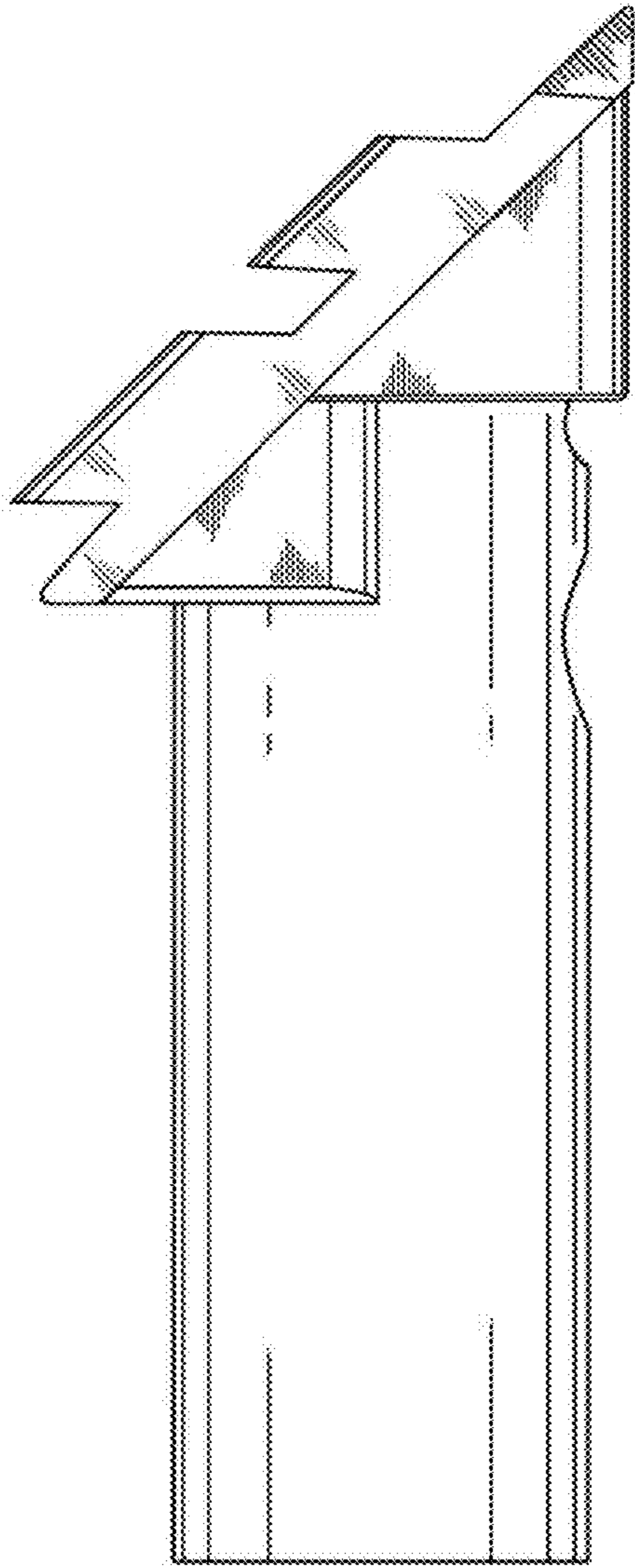


FIG. 1

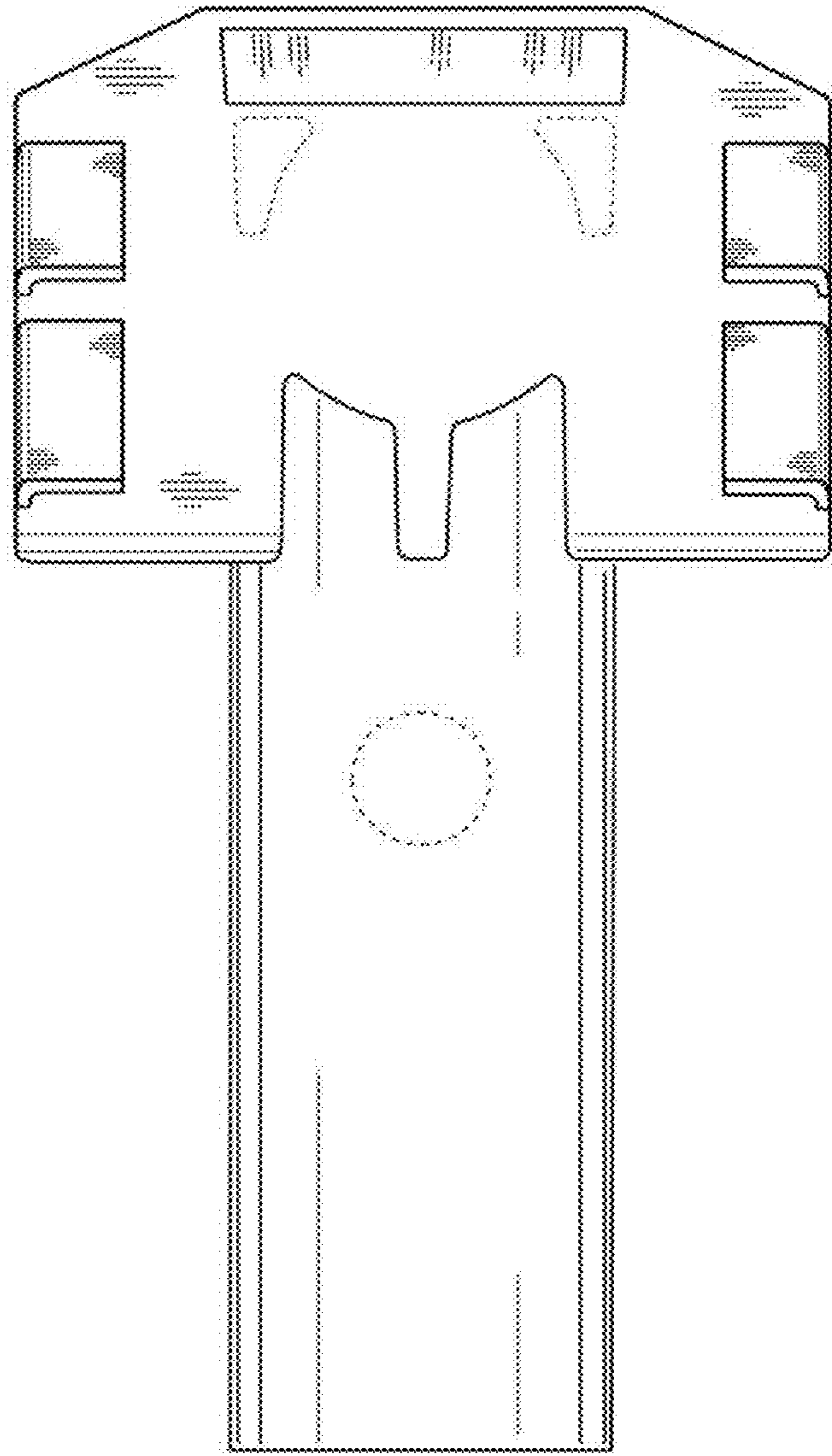


FIG. 2

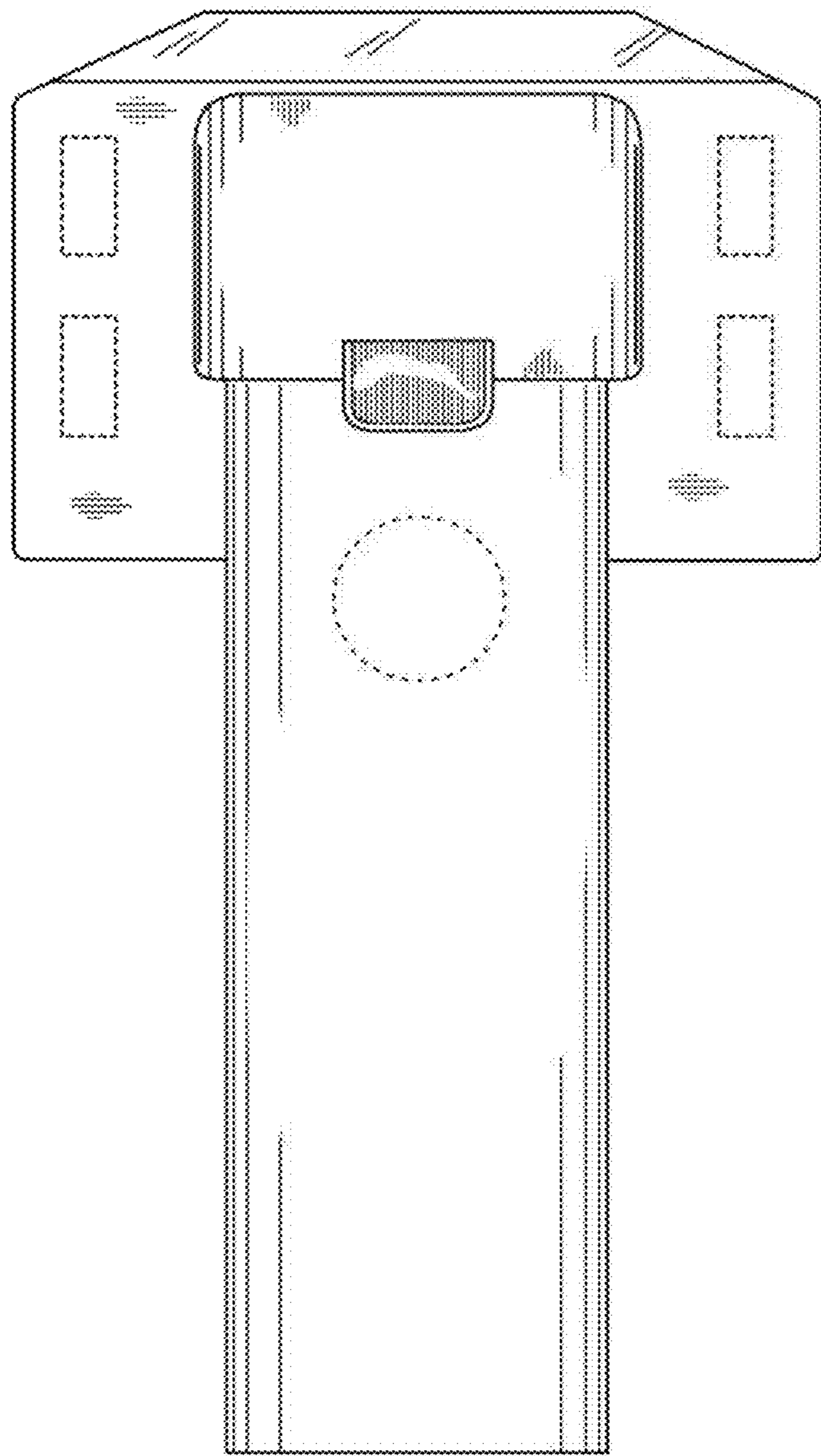


FIG. 3

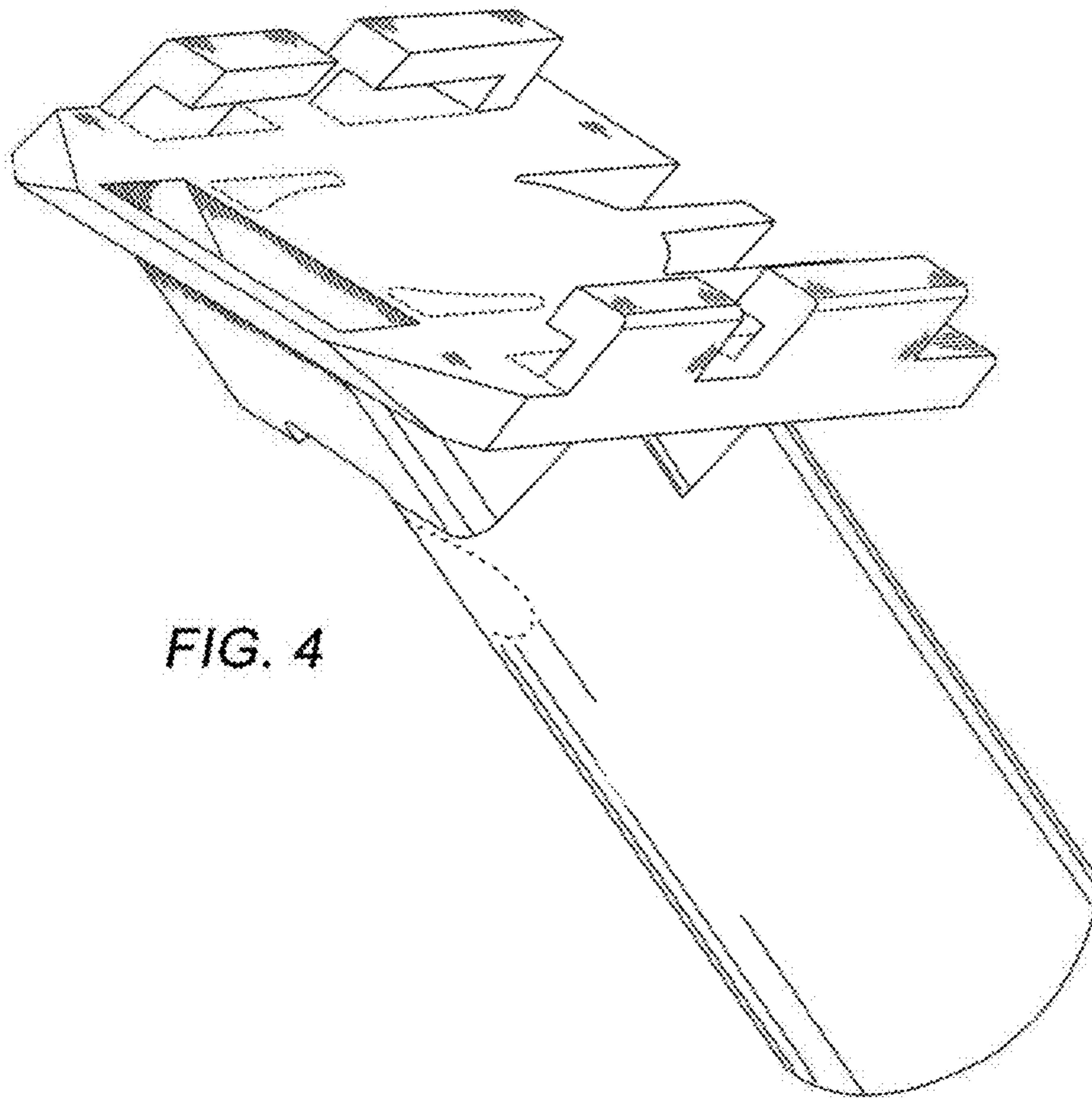


FIG. 4



FIG. 5

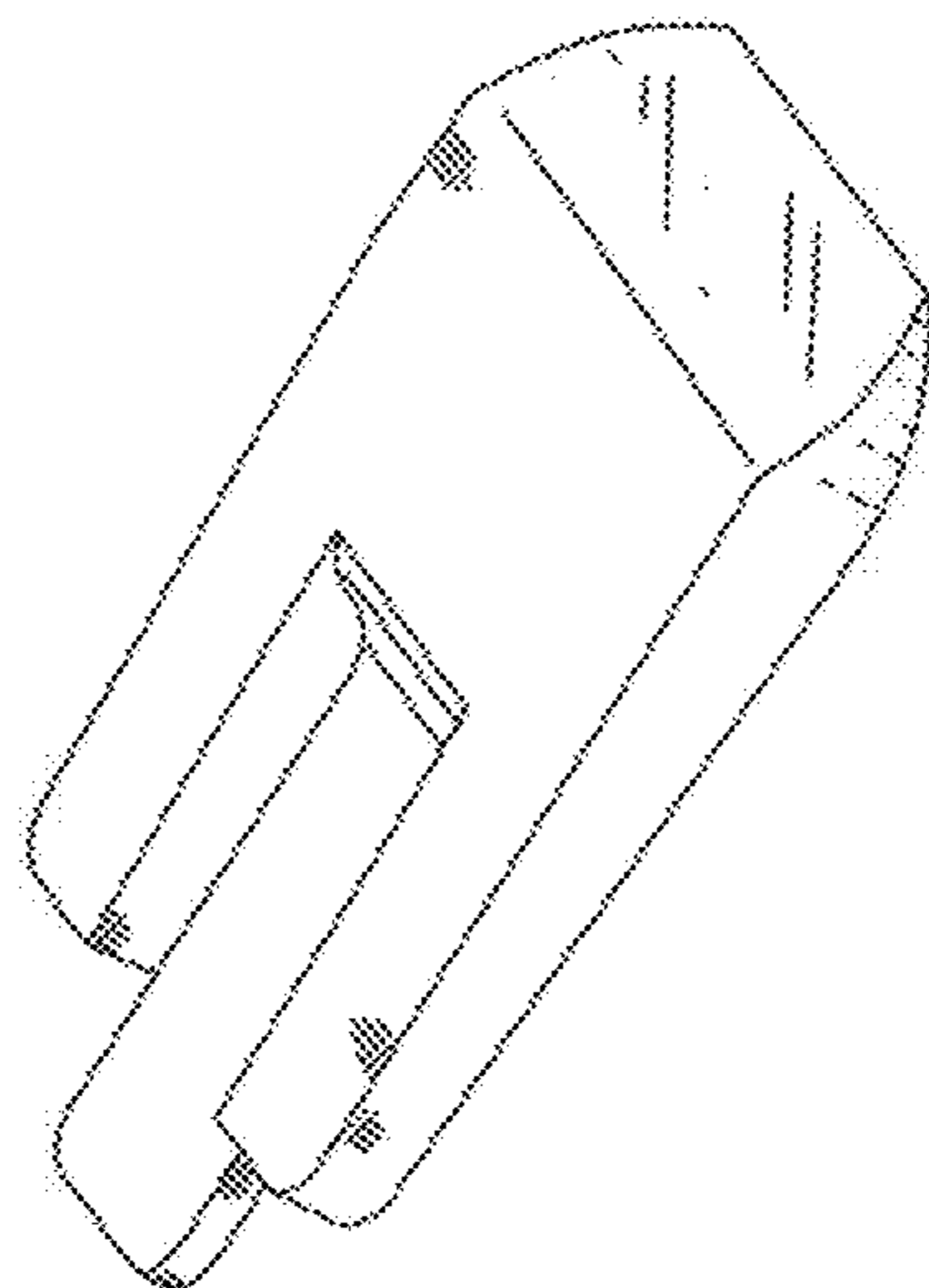


FIG. 6

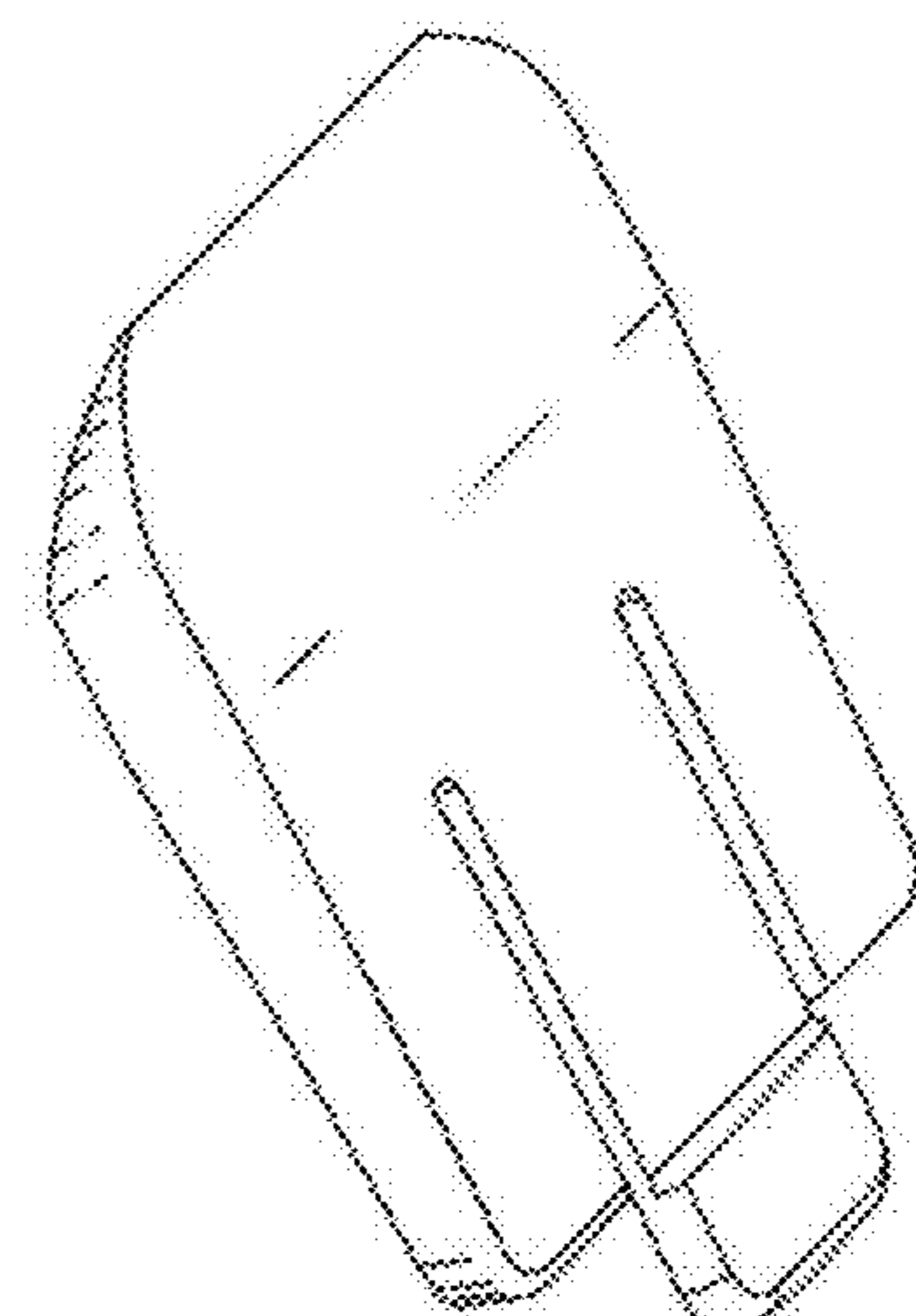


FIG. 7

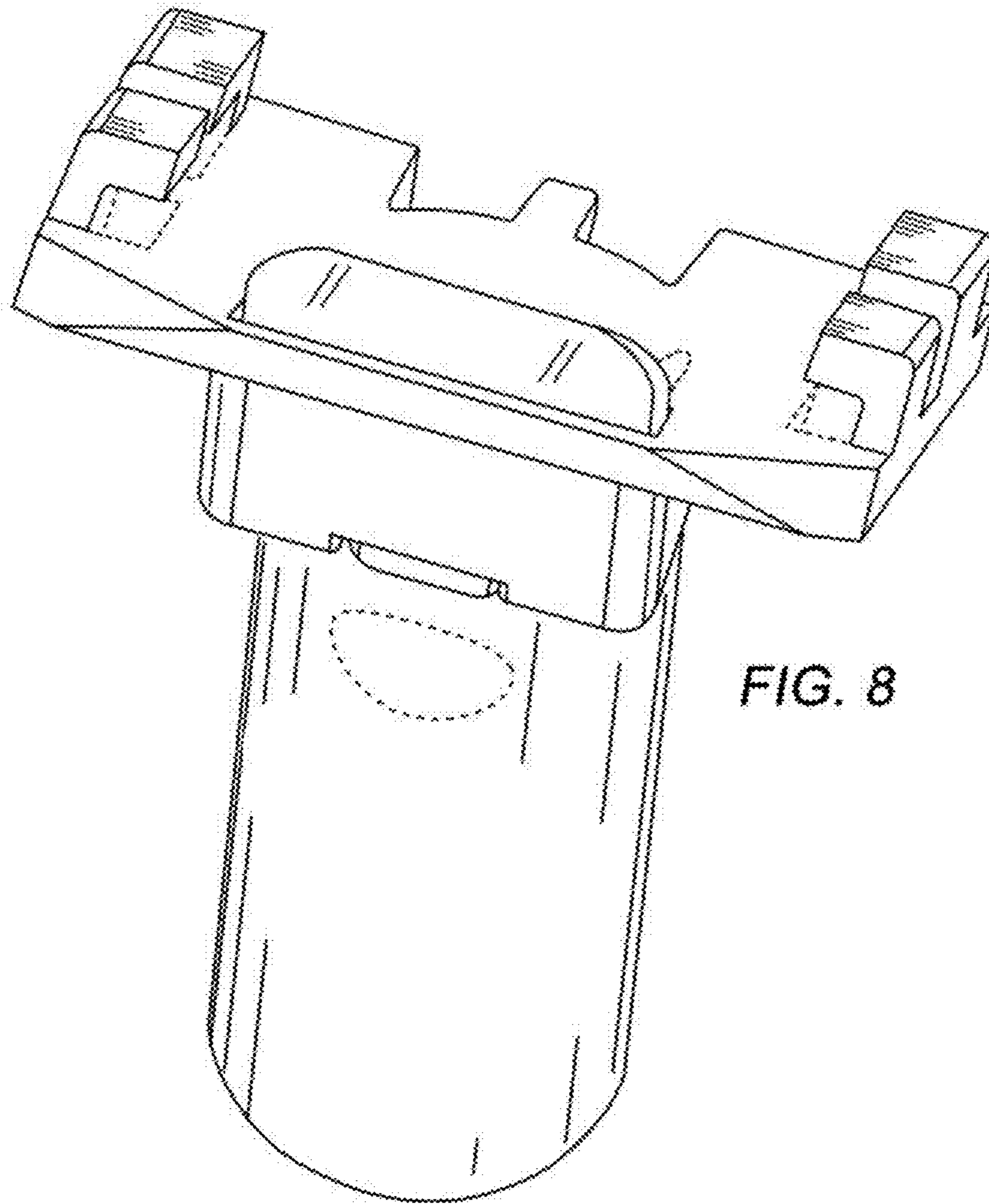


FIG. 8

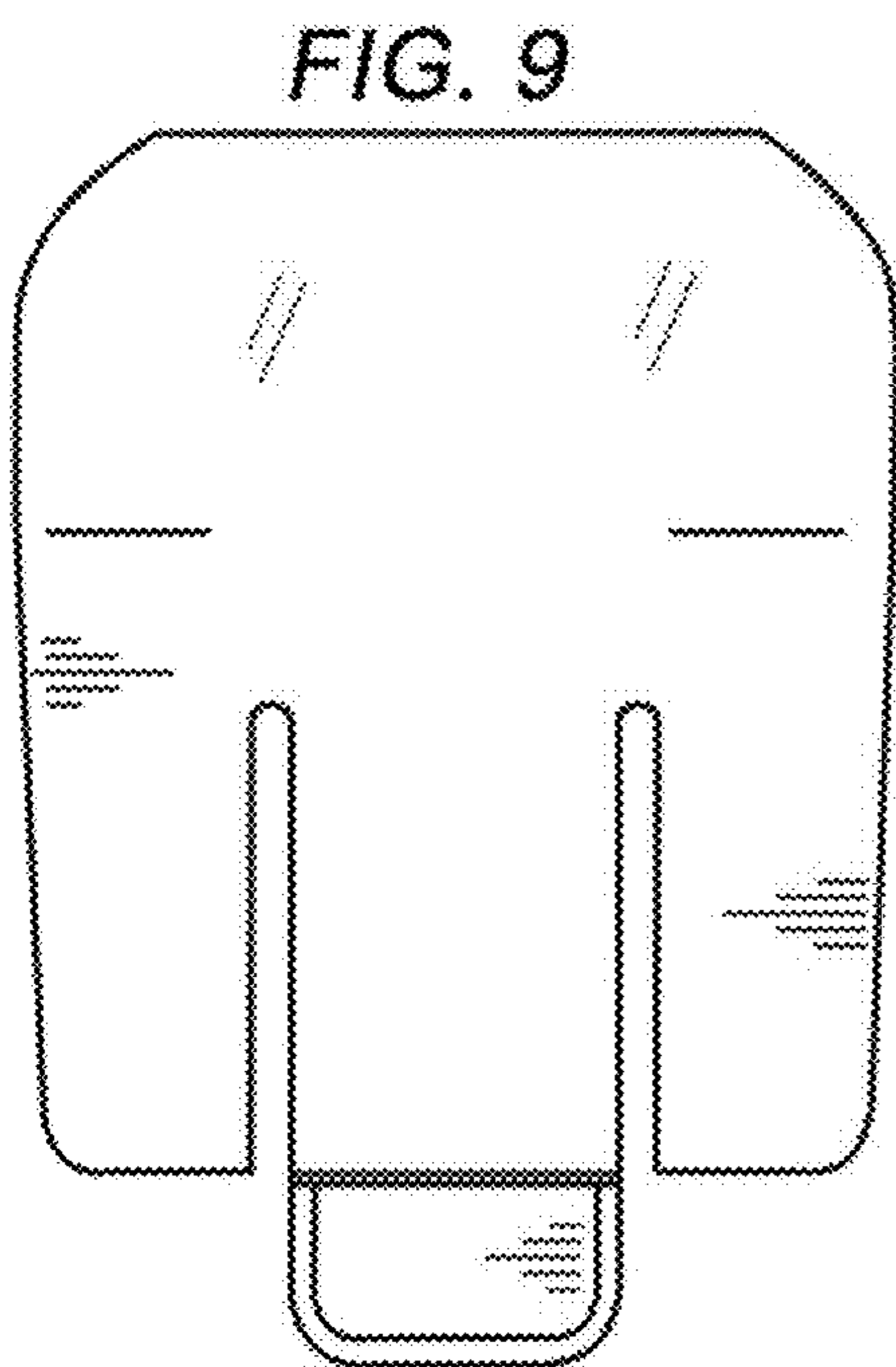


FIG. 9

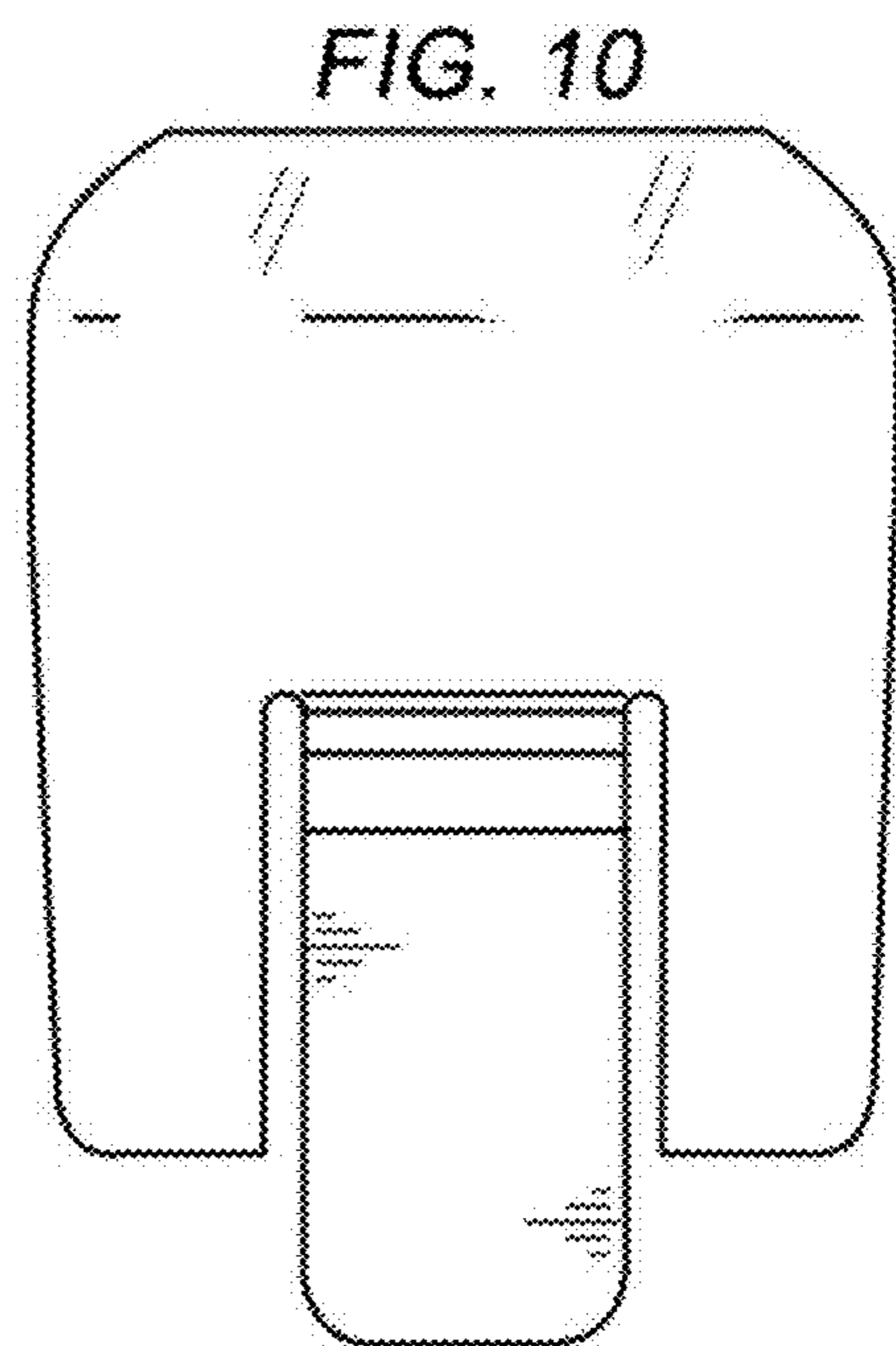


FIG. 10

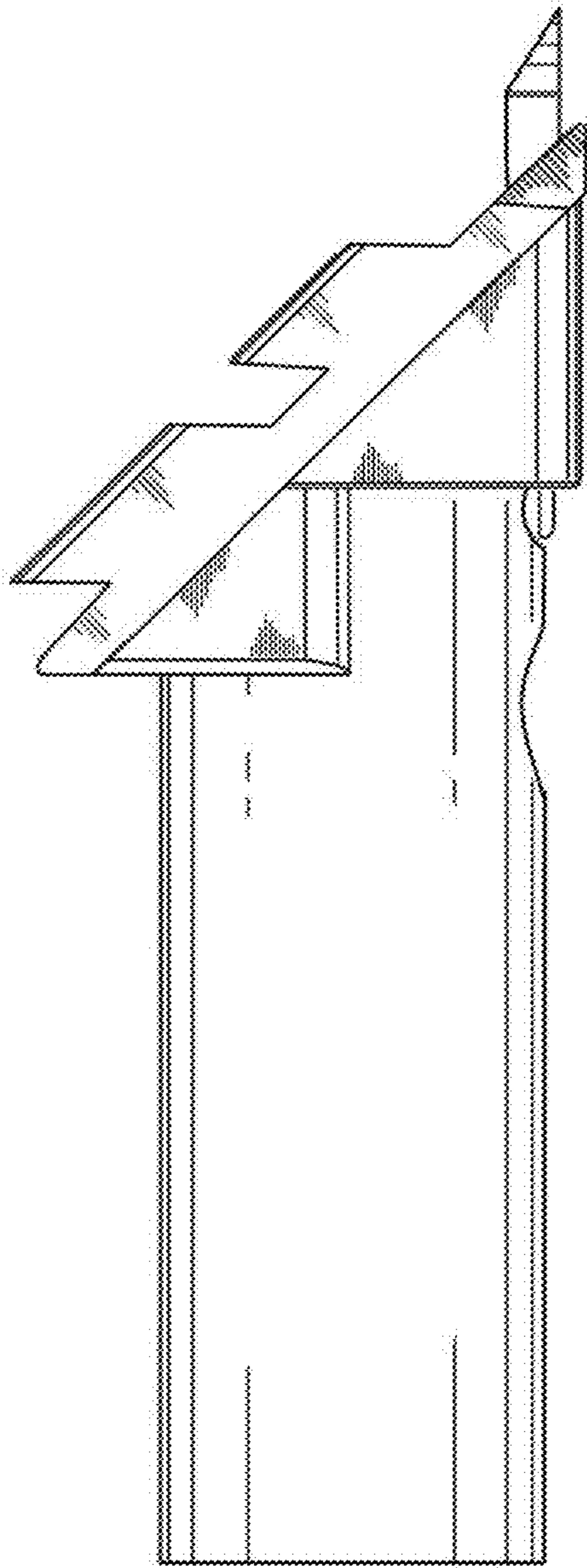


FIG. 11

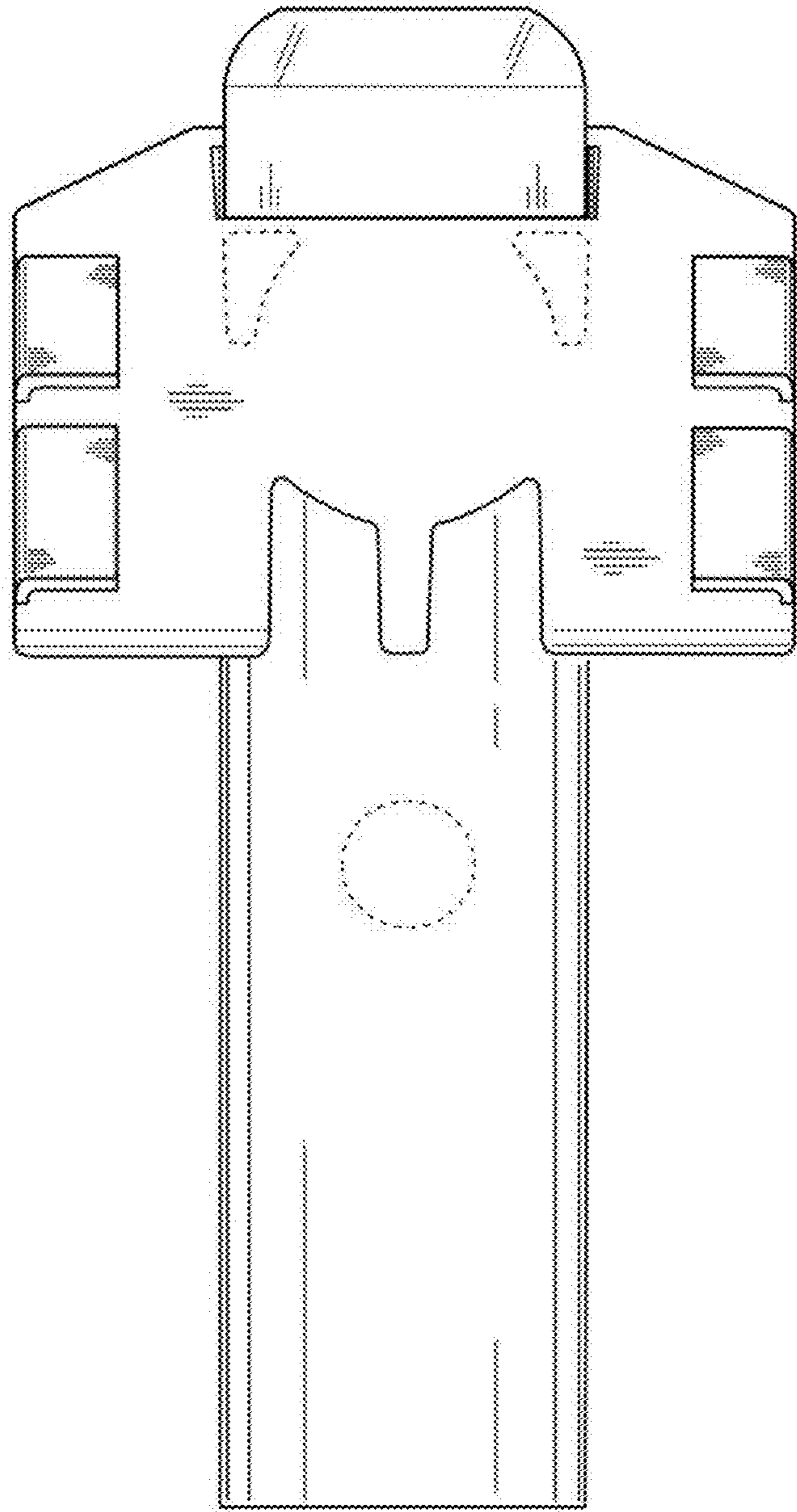


FIG. 12

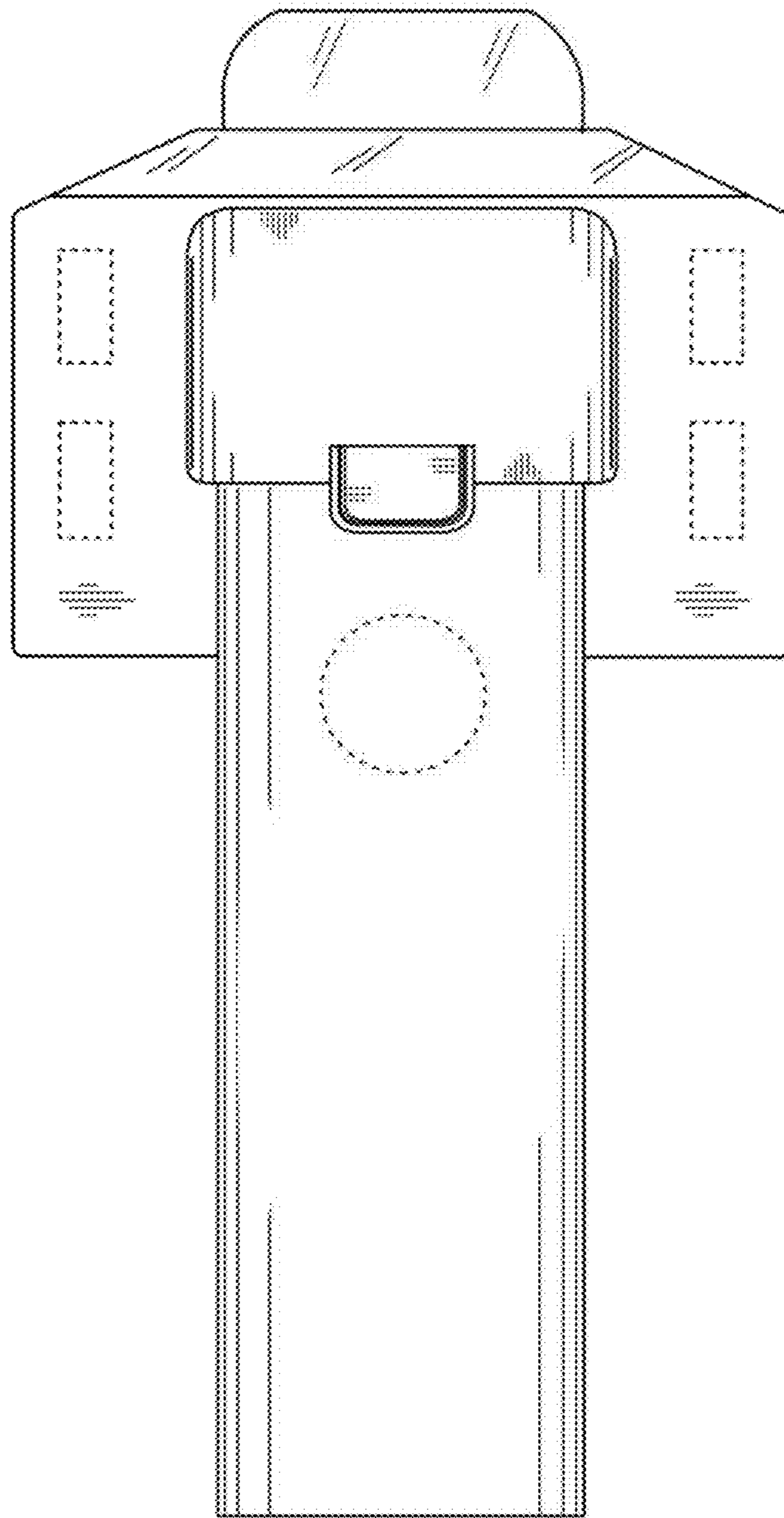


FIG. 13



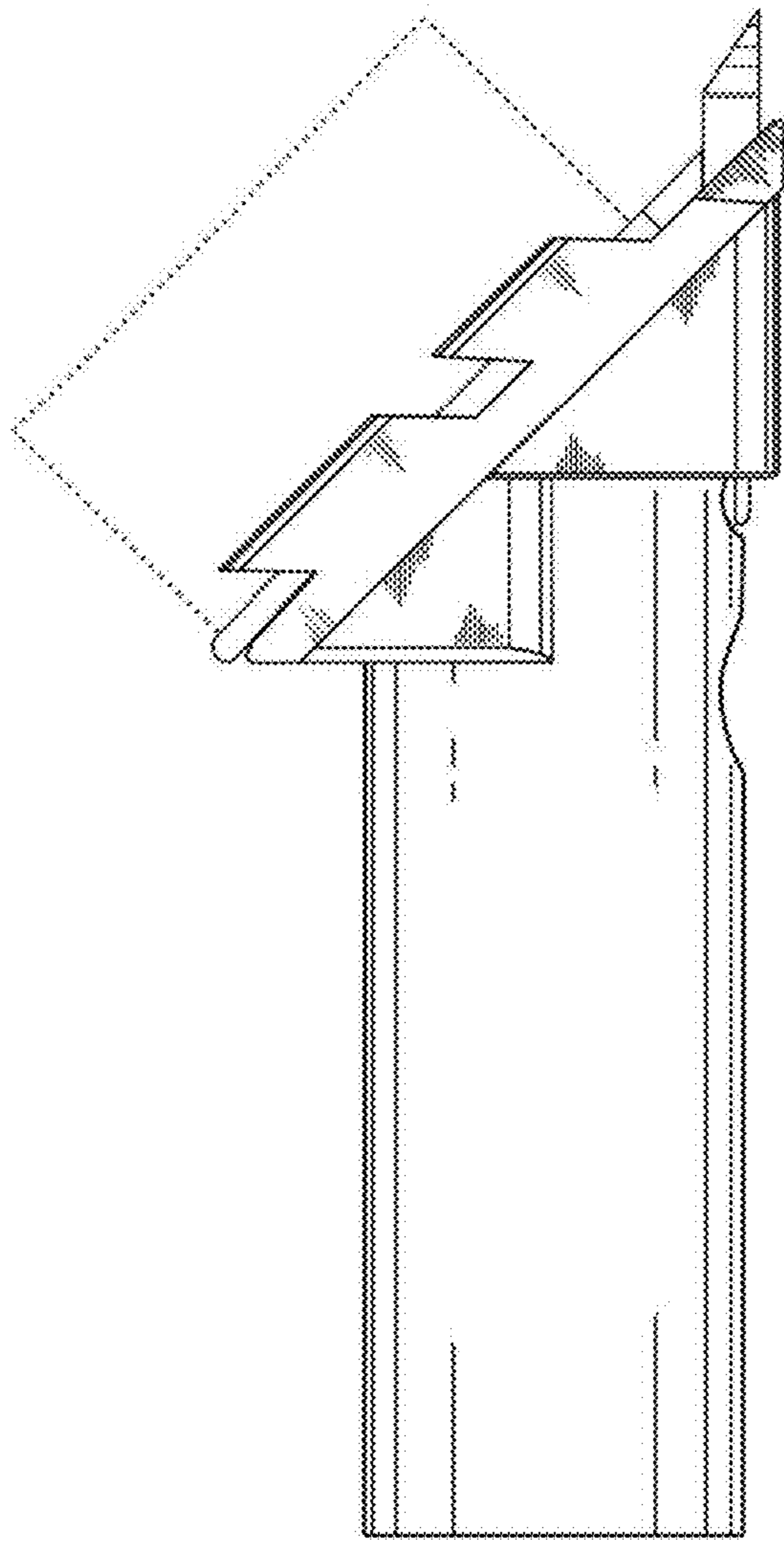


FIG. 14

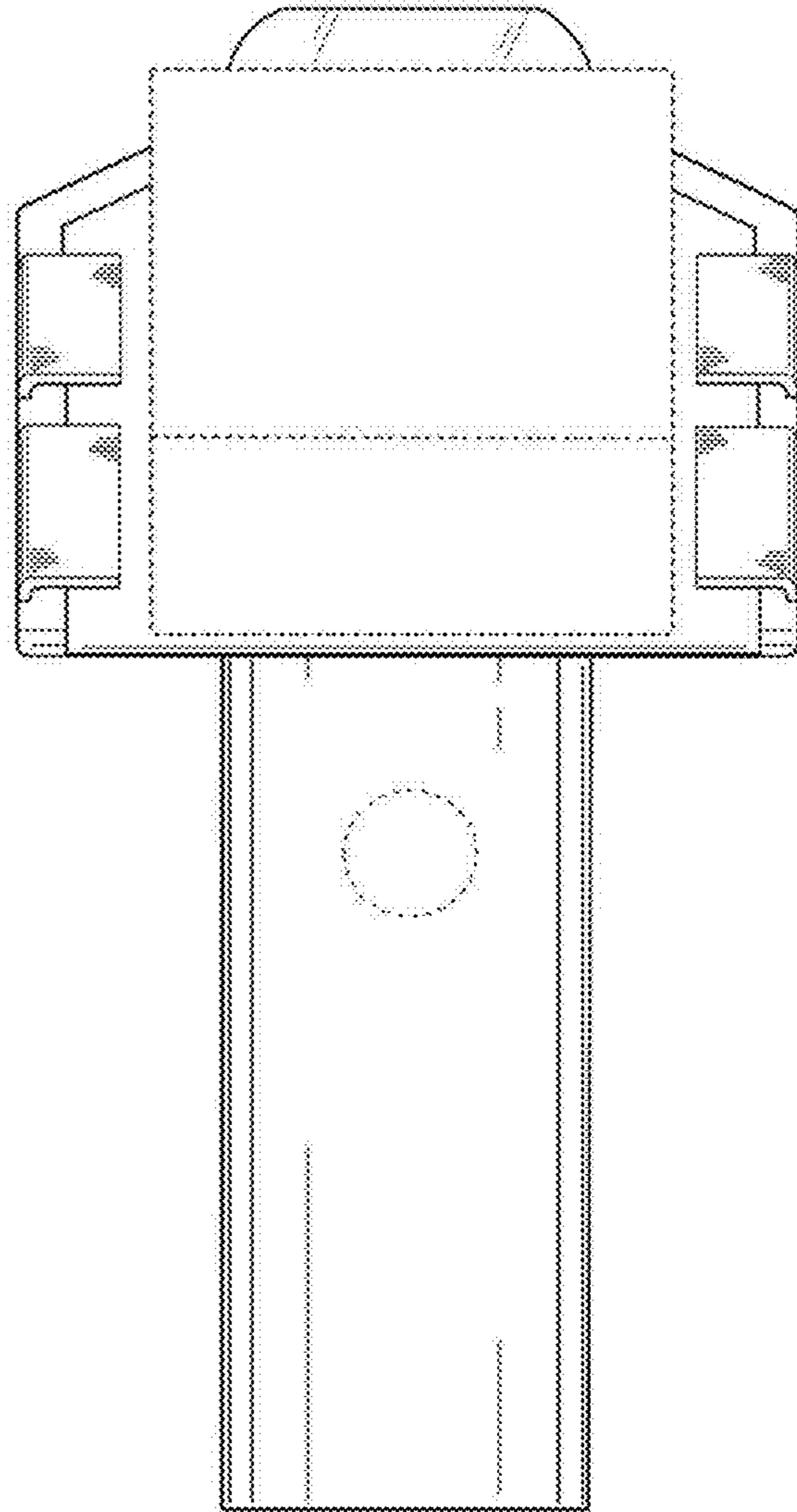


FIG. 15

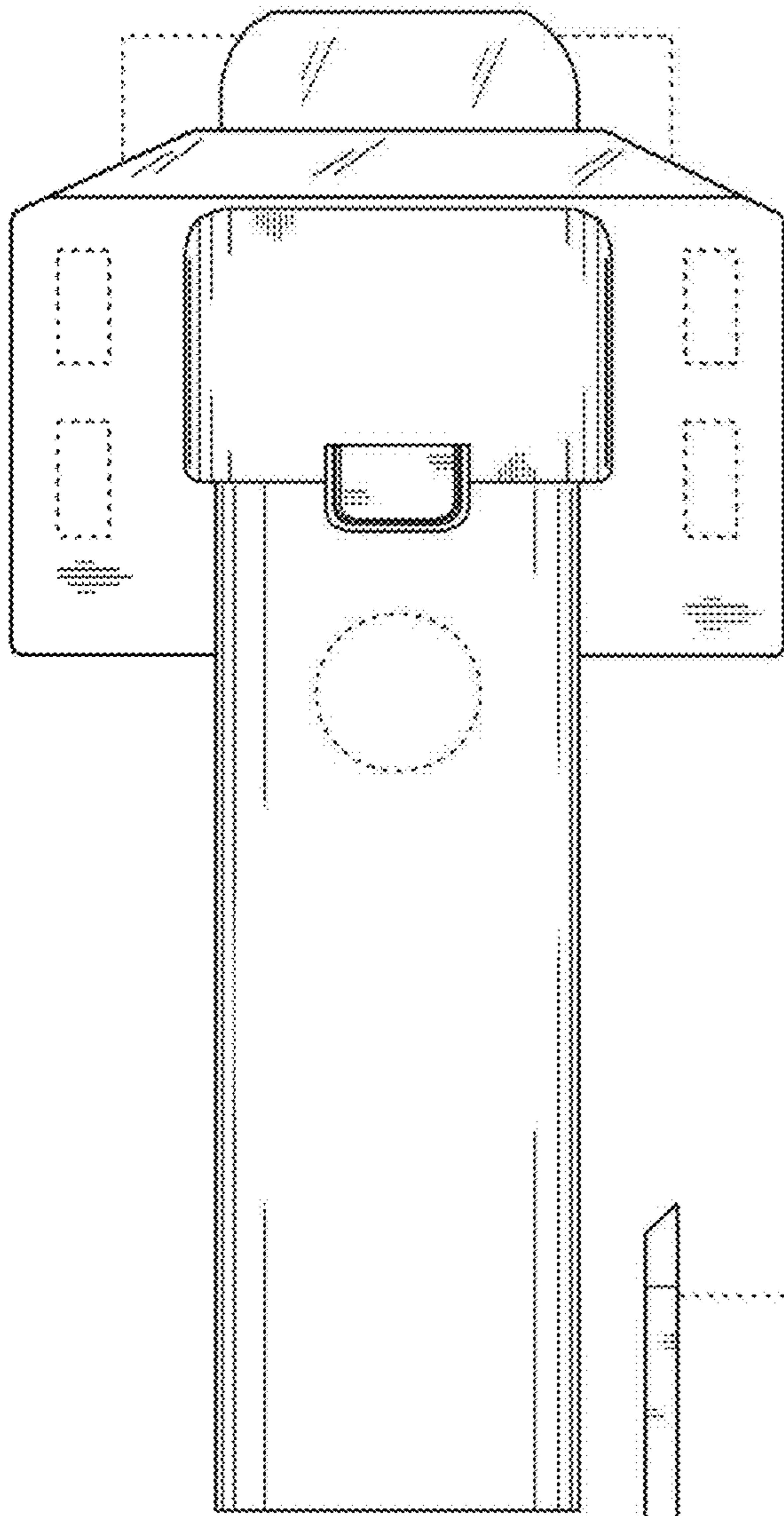


FIG. 16

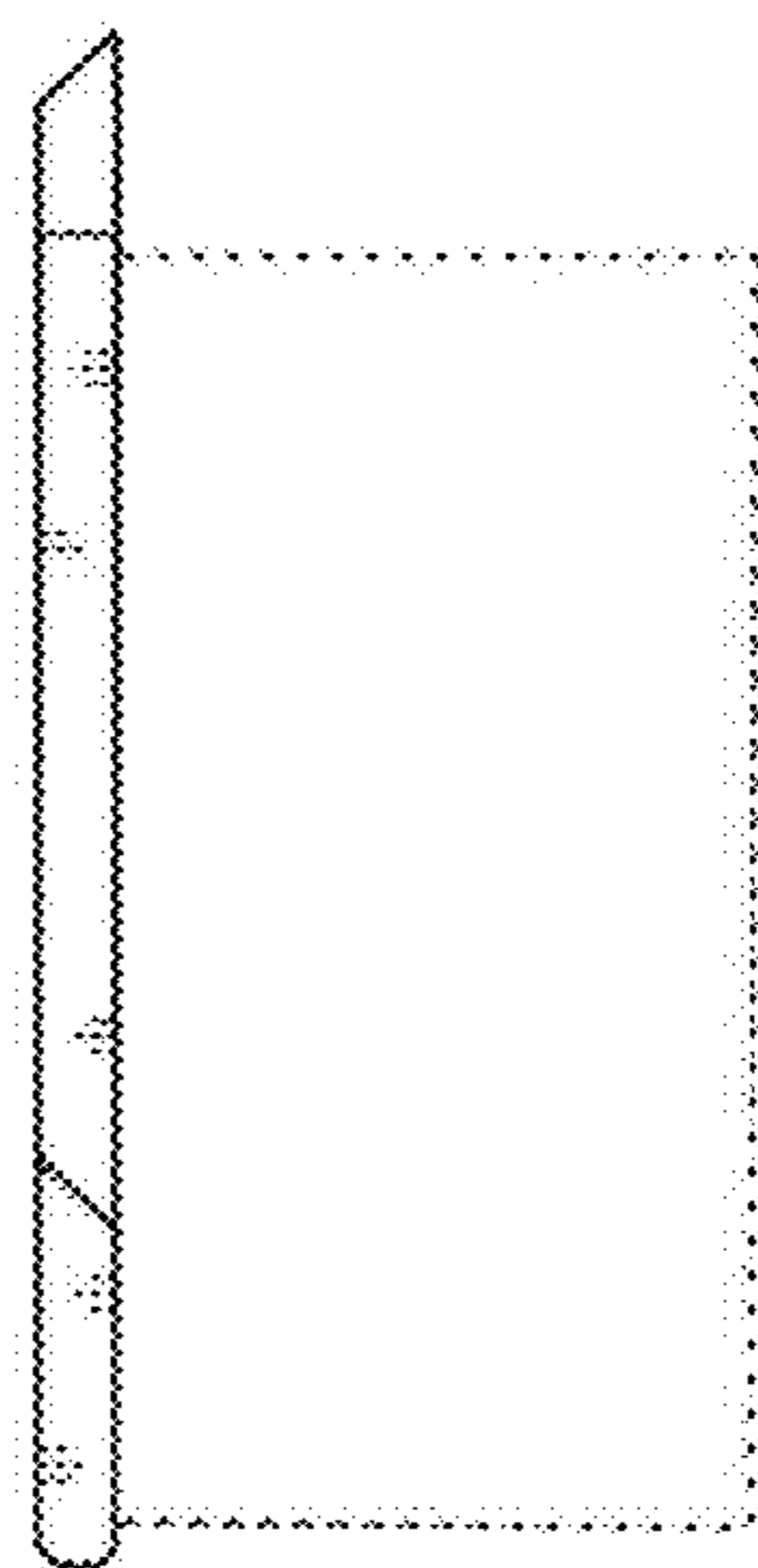


FIG. 17

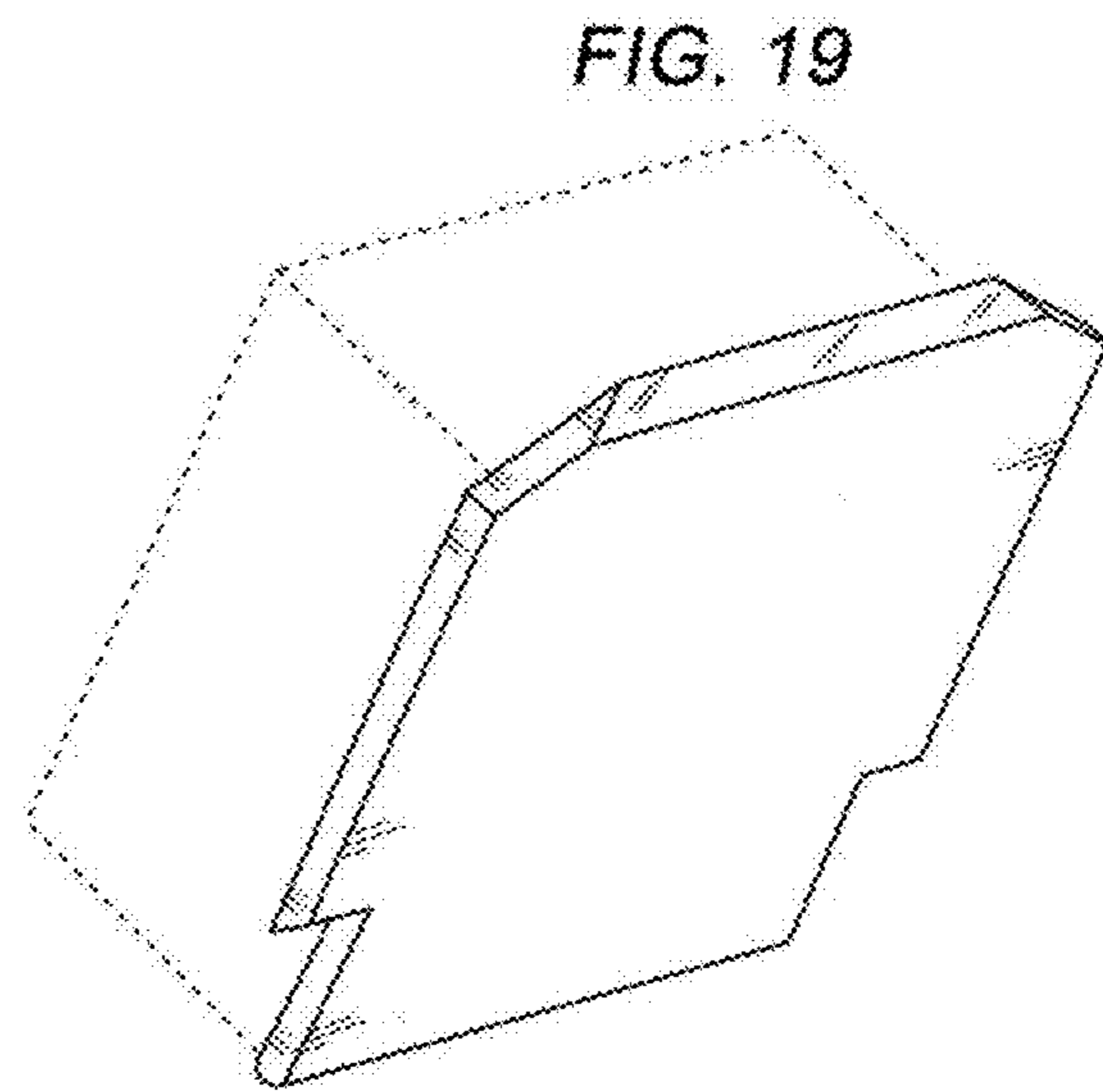


FIG. 19

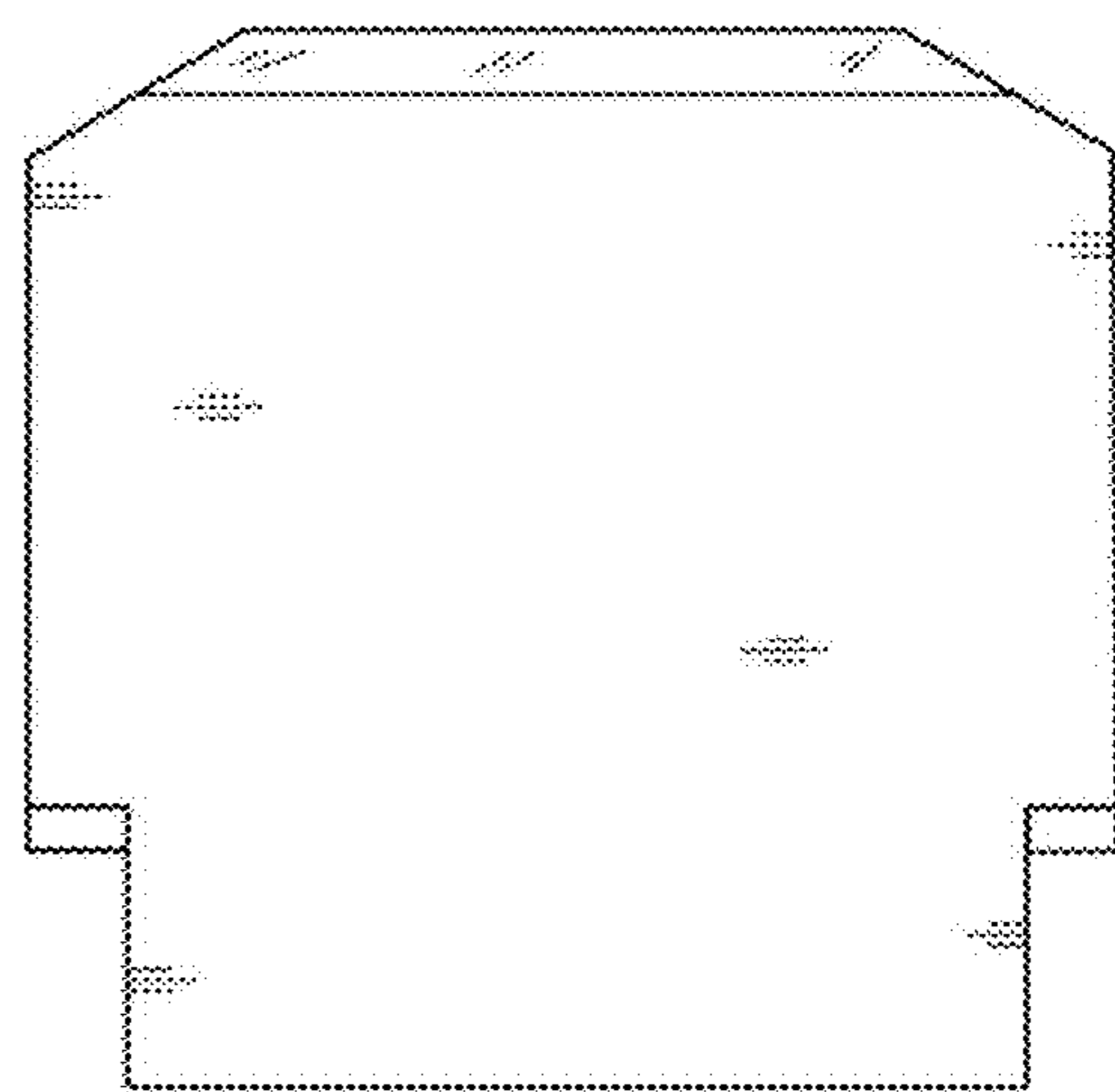


FIG. 18

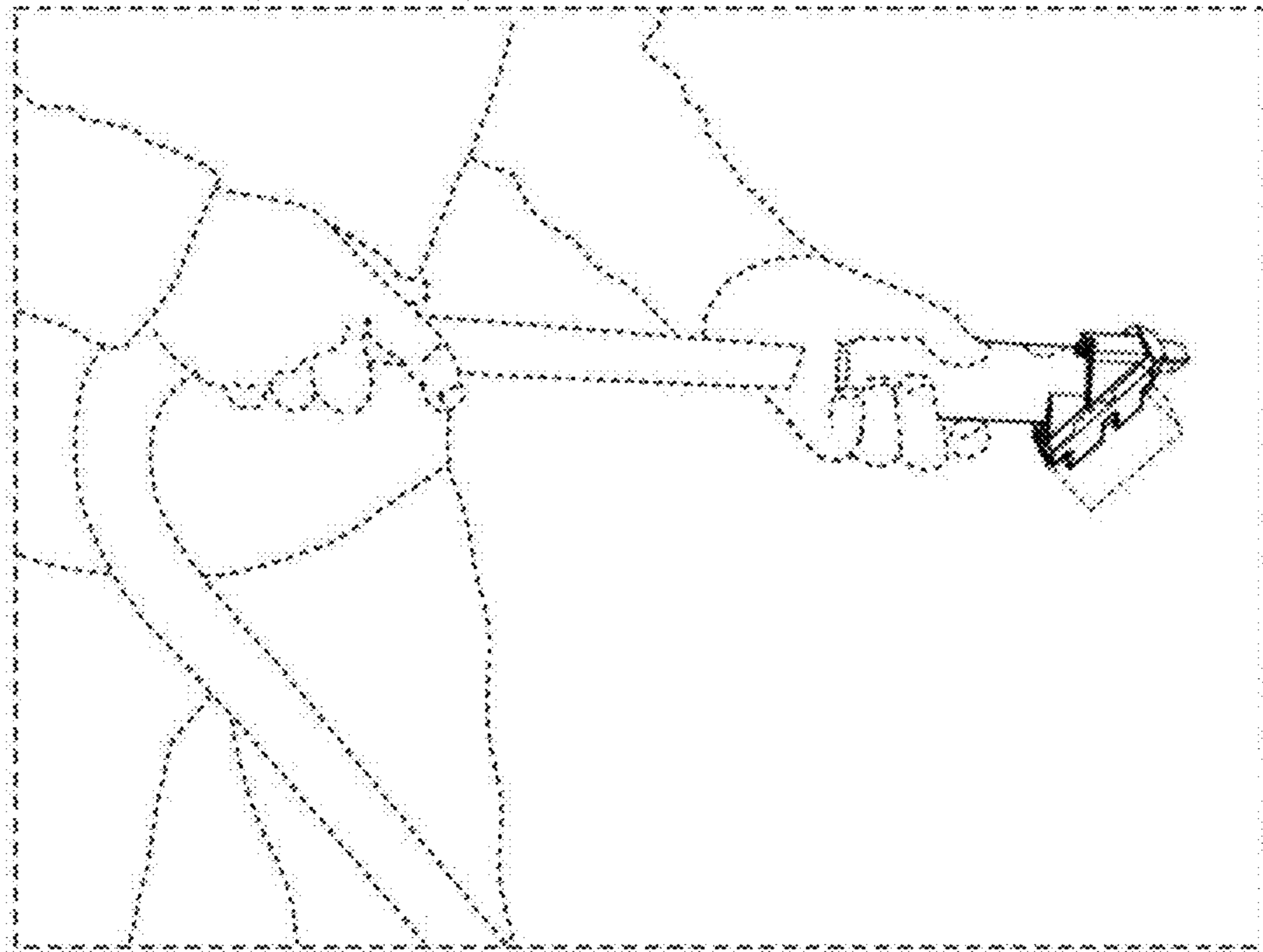


FIG. 20

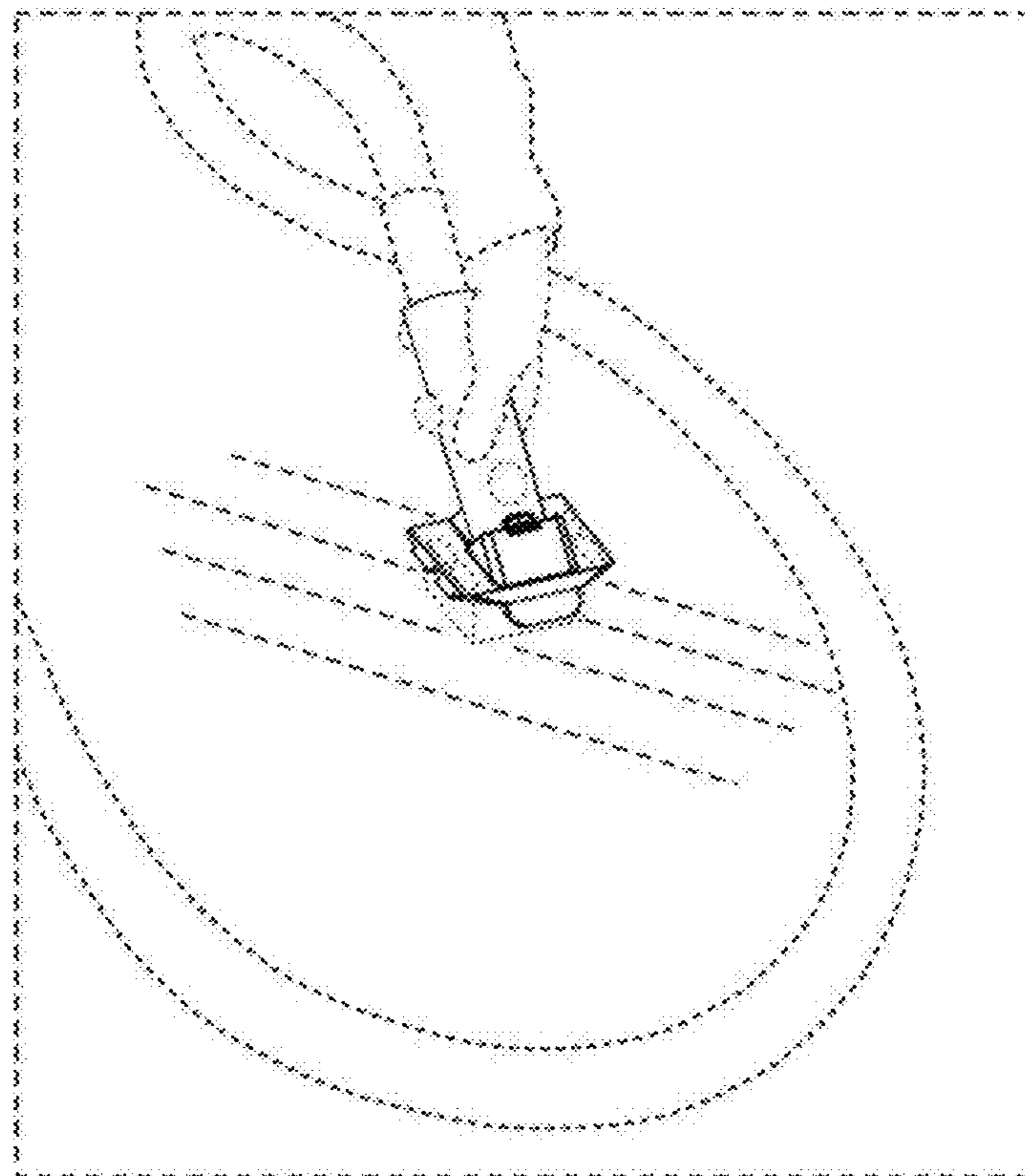


FIG. 21