



US00D946840S

(12) **United States Design Patent**
Lv

(10) **Patent No.:** US D946,840 S

(45) **Date of Patent:** ** Mar. 22, 2022

(54) **ROBOT VACUUM CLEANER**

(71) Applicant: **MIDEA ROBOZONE TECHNOLOGY CO., LTD.**, Suzhou (CN)

(72) Inventor: **Zhaohua Lv**, Suzhou (CN)

(**) Term: **15 Years**

(21) Appl. No.: **29/705,248**

(22) Filed: **Sep. 10, 2019**

(30) **Foreign Application Priority Data**

Mar. 12, 2019 (CN) 201930099040.X

(51) **LOC (13) Cl.** **15-05**

(52) **U.S. Cl.**

USPC **D32/21**

(58) **Field of Classification Search**

USPC D32/21, 31; D21/526, 578; D8/70, 310, D8/330; D10/37, 38, 50, 106.2, 106.5; D13/108, 209

(Continued)

(56) **References Cited**

U.S. PATENT DOCUMENTS

D577,357 S * 9/2008 Poandl D14/216
7,996,051 B2 * 8/2011 Demuyneck H04M 1/0237
455/575.3

(Continued)

FOREIGN PATENT DOCUMENTS

JP D1656335 * 3/2020
JP D1656380 * 3/2020
KR 300827701.0000 * 12/2015

OTHER PUBLICATIONS

Best robot vacuums for 2020 as Asda launch Goblin robot vacuum, available in website.com, announced Aug. 25, 2020 [online], [site

visited Jun. 24, 2021], Internet URL: <https://www.mirror.co.uk/money/shopping-deals/best-robot-vacuums-for-2020-21496225>. amp (Year: 2020).*

(Continued)

Primary Examiner — Dana K Weiland
Assistant Examiner — Jennylou M Binas

(74) *Attorney, Agent, or Firm* — Kilpatrick Townsend & Stockton, LLP

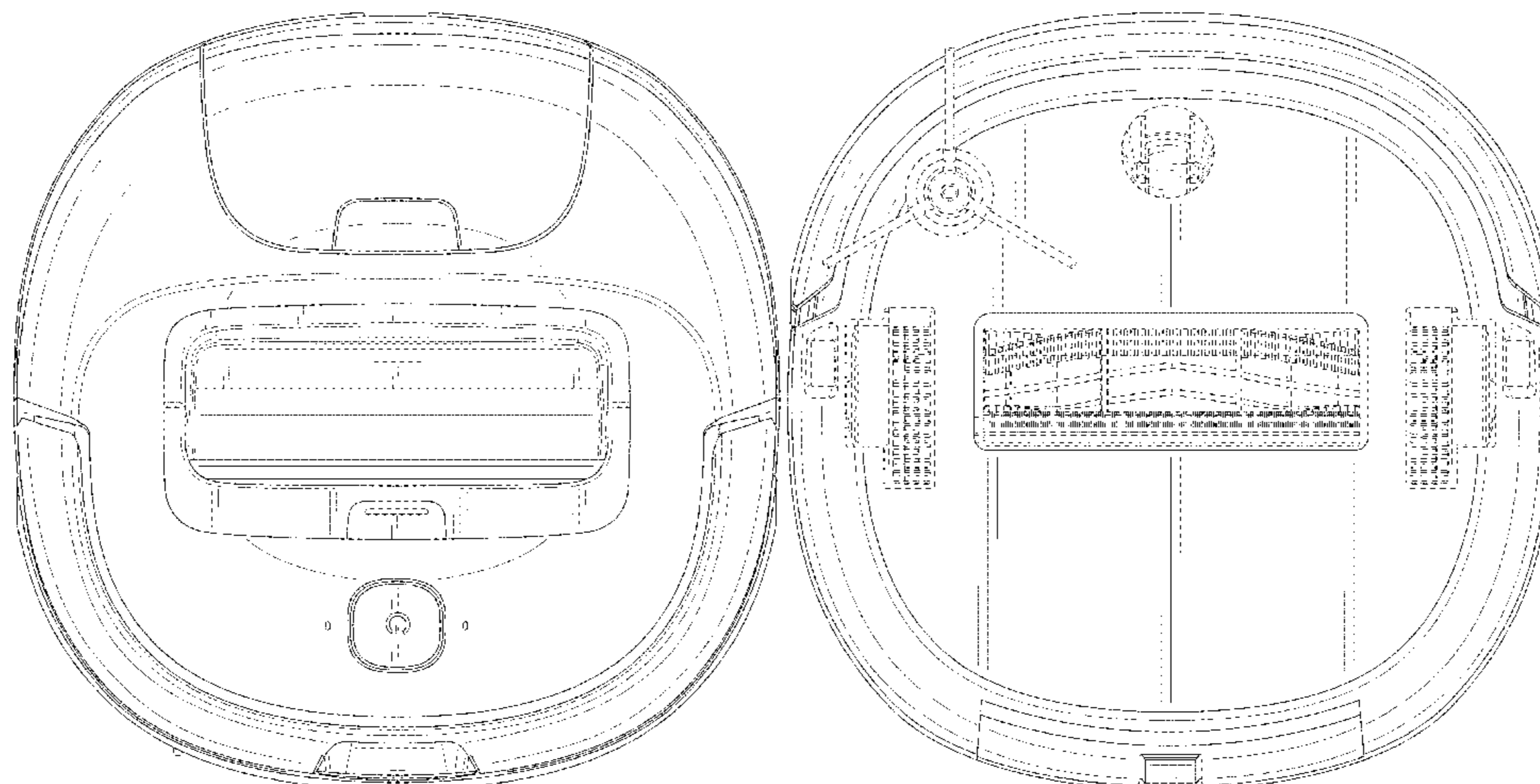
(57) **CLAIM**

The ornamental design for a robot vacuum cleaner, as shown and described.

DESCRIPTION

FIG. 1 is a front elevation view of a first embodiment of a robot vacuum cleaner, showing the new design; FIG. 2 is a back elevation view thereof; FIG. 3 is a left elevation view thereof; FIG. 4 is a right elevation view thereof; FIG. 5 is a top plan view thereof; FIG. 6 is a bottom plan view thereof; FIG. 7 is a front perspective view thereof; FIG. 8 is a rear perspective view thereof; FIG. 9 is a front elevation view of a second embodiment of the robot vacuum cleaner, showing the new design; FIG. 10 is a back elevation view thereof; FIG. 11 is a left elevation view thereof; FIG. 12 is a right elevation view thereof; FIG. 13 is a top plan view thereof; FIG. 14 is a bottom plan view thereof; FIG. 15 is a front perspective view thereof; FIG. 16 is a rear perspective view thereof; FIG. 17 is a front elevation view of a third embodiment of the robot vacuum cleaner, showing the new design; FIG. 18 is a back elevation view thereof; FIG. 19 is a left elevation view thereof; FIG. 20 is a right elevation view thereof; FIG. 21 is a top plan view thereof; FIG. 22 is a bottom plan view thereof; FIG. 23 is a front perspective view thereof; and, FIG. 24 is a rear perspective view thereof.

(Continued)



The broken lines show portions of the robot vacuum cleaner that form no part of the claimed design.

1 Claim, 24 Drawing Sheets

(58) Field of Classification Search

CPC . A47L 5/08; A47L 5/30; A47L 7/0004; A47L 9/04; A47L 9/168; A47L 9/2805; A47L 9/2873; A47L 11/4011; A47L 11/4016; A47L 11/4038; A47L 11/4041; A47L 11/4044; A47L 2201/02; A47L 2201/04; A47L 2201/06; B25J 9/0003; B25J 9/1694; E04H 4/1636; G05D 1/0225; G06N 3/008

See application file for complete search history.

(56) References Cited

U.S. PATENT DOCUMENTS

D691,337 S * 10/2013 Kim D32/21
 D703,397 S * 4/2014 Sungkyung D32/21
 D704,400 S * 5/2014 Shin D32/21
 D709,255 S * 7/2014 Wang D32/21
 D715,504 S * 10/2014 Deoksang D32/21
 D720,510 S * 12/2014 Shin D32/21
 D720,511 S * 12/2014 Shin D32/21
 D737,006 S * 8/2015 Heck D32/21
 D748,878 S * 2/2016 Dooley D32/21
 D796,757 S * 9/2017 Verhoorn D32/31
 D823,561 S * 7/2018 Casini D32/21
 D828,663 S * 9/2018 Yun D32/31
 D852,662 S * 7/2019 Zhong D10/81
 D860,557 S * 9/2019 Gnielka D32/21

D860,558 S * 9/2019 Lee D32/21
 D865,664 S * 11/2019 Liao D13/108
 D869,109 S * 12/2019 Yu D32/21
 D870,403 S * 12/2019 Ebrahimi Afrouzi D32/21
 D871,693 S * 12/2019 Ebrahimi Afrouzi D32/21
 D883,511 S * 5/2020 Li D24/217
 D884,999 S * 5/2020 Ebrahimi Afrouzi D32/21
 D926,728 S * 8/2021 He D14/214
 D931,254 S * 9/2021 Lin D14/215
 D935,118 S * 11/2021 Lee D32/21
 D935,711 S * 11/2021 Han D32/21
 D936,314 S * 11/2021 Lim D32/21
 D936,922 S * 11/2021 Lim D32/21
 2006/0288519 A1* 12/2006 Jaworski A47L 11/4083
 15/340.1
 2012/0084934 A1* 4/2012 Li A47L 11/33
 15/319
 2013/0116826 A1* 5/2013 Kim G05D 1/0246
 700/259
 2014/0156076 A1* 6/2014 Jeong B25J 9/0003
 700/257
 2018/0206687 A1* 7/2018 Kim A47L 9/28
 2018/0344118 A1* 12/2018 Kim B62D 55/125
 2018/0360281 A1* 12/2018 Shin A47L 9/0494
 2020/0046183 A1* 2/2020 Choi A47L 9/0477

OTHER PUBLICATIONS

Eureka Groove Robot Vacuum Cleaner, available in Amazon.com, date first available May 20, 2020 [online], [site visited Jun. 24, 2021], Available from the internet URL: https://www.amazon.com/dp/B087CG9MYK/ref=cm_sw_r_em_apa_fabc_1QPWC5ETQ7AXE2S1SRJA?_encoding=UTF8&pvc=1 (Year: 2020).*

* cited by examiner

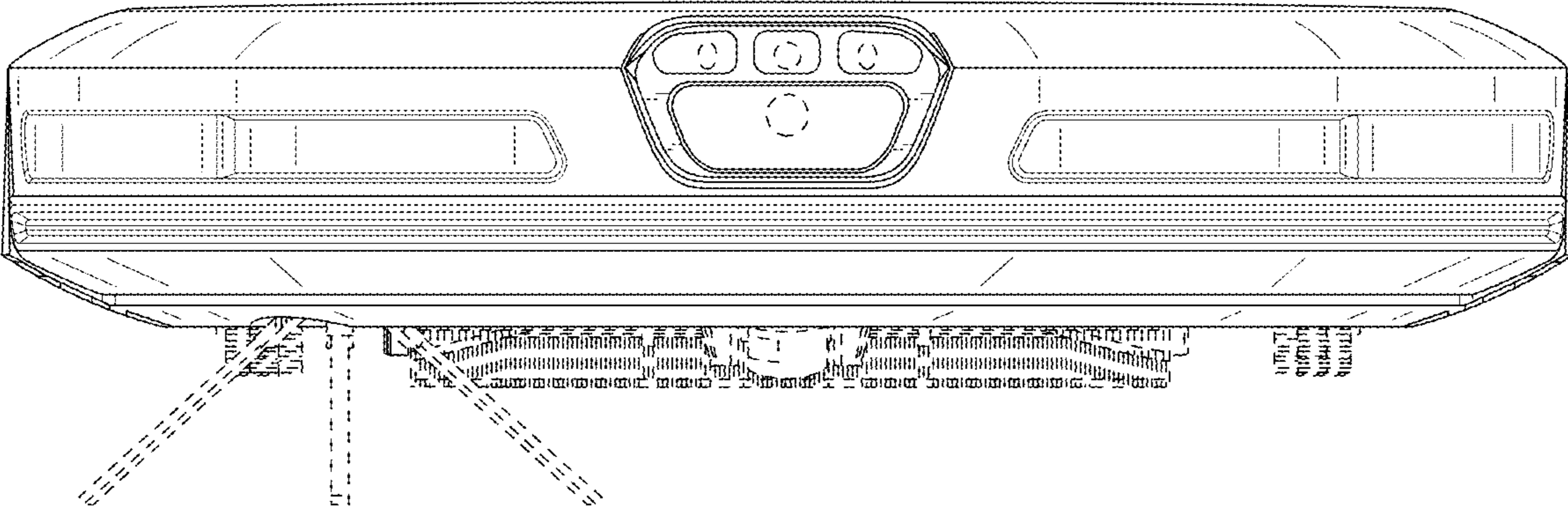


FIG. 1

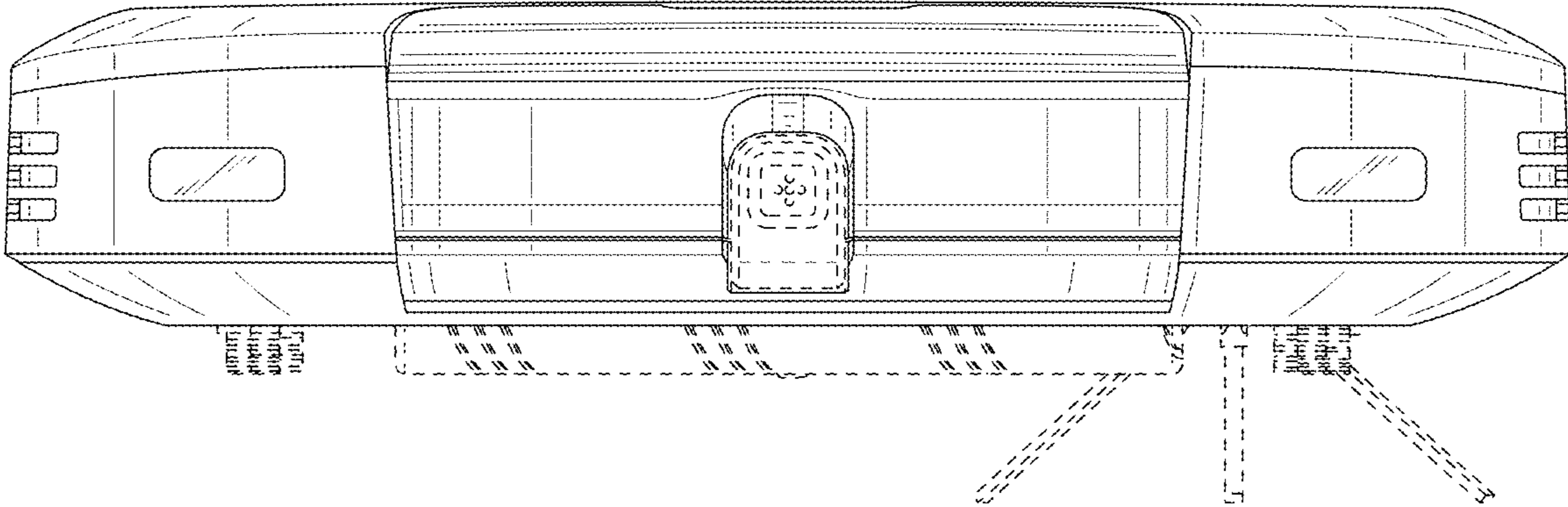


FIG. 2

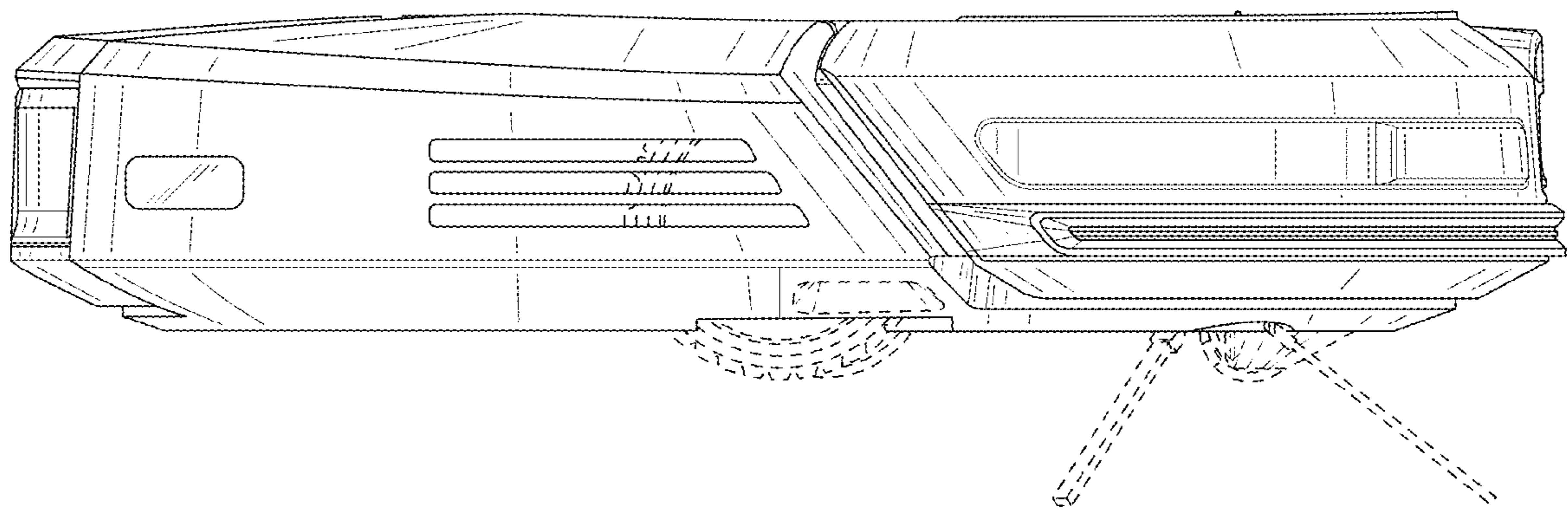


FIG. 3

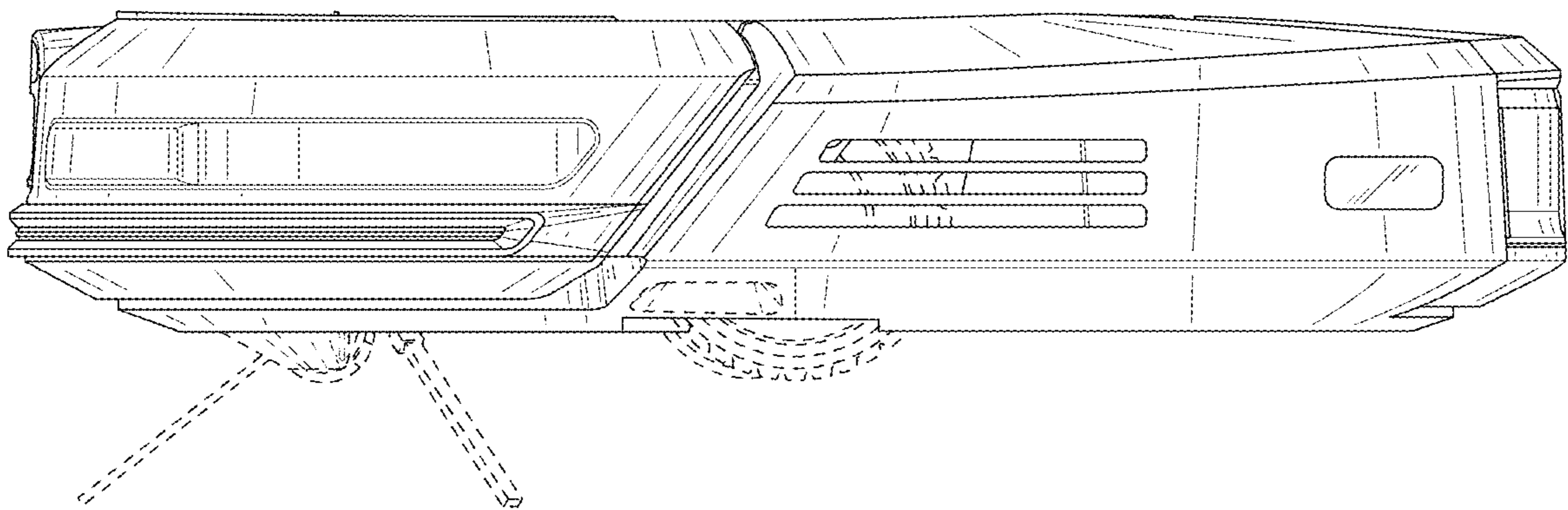


FIG. 4

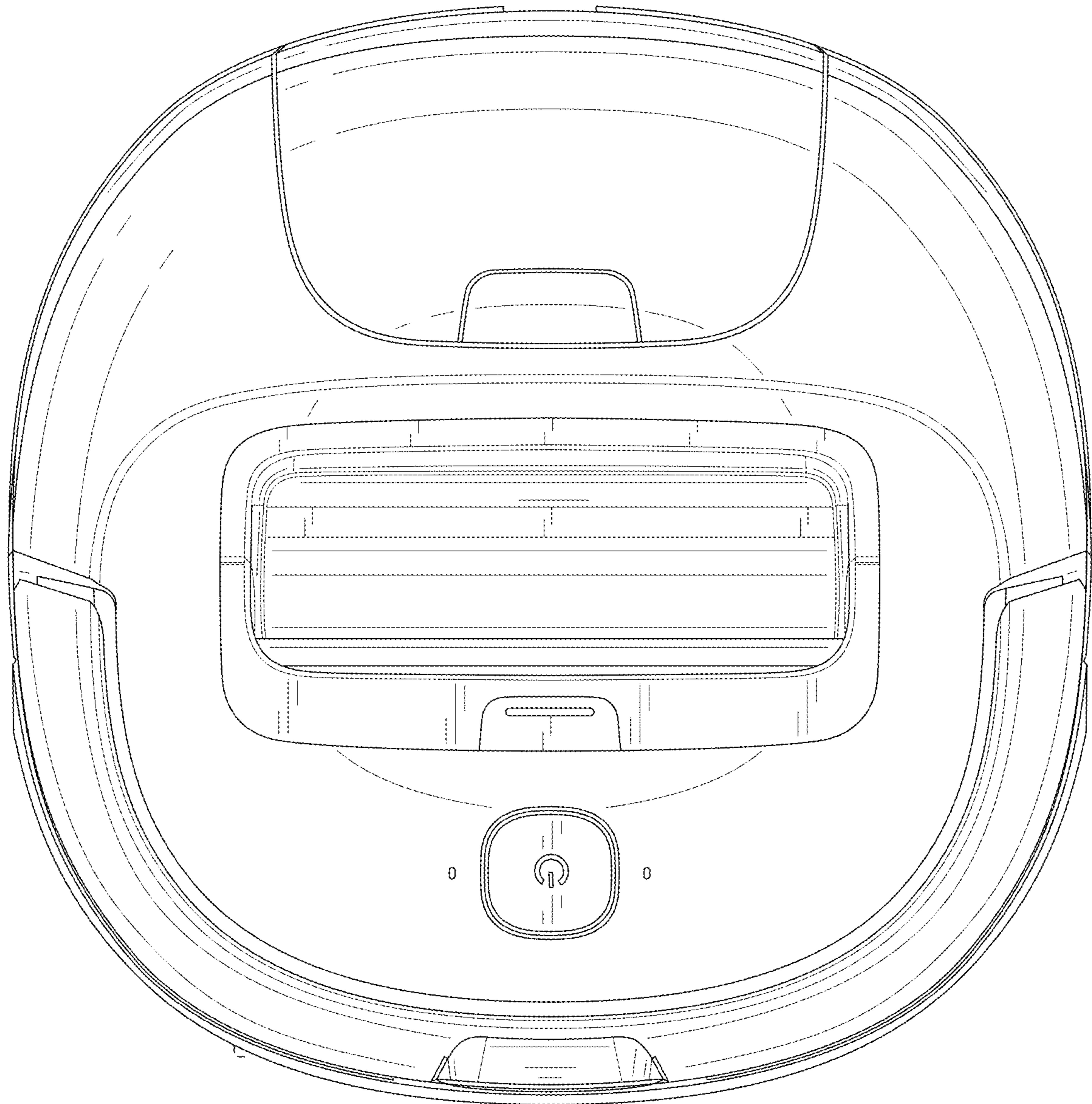


FIG. 5

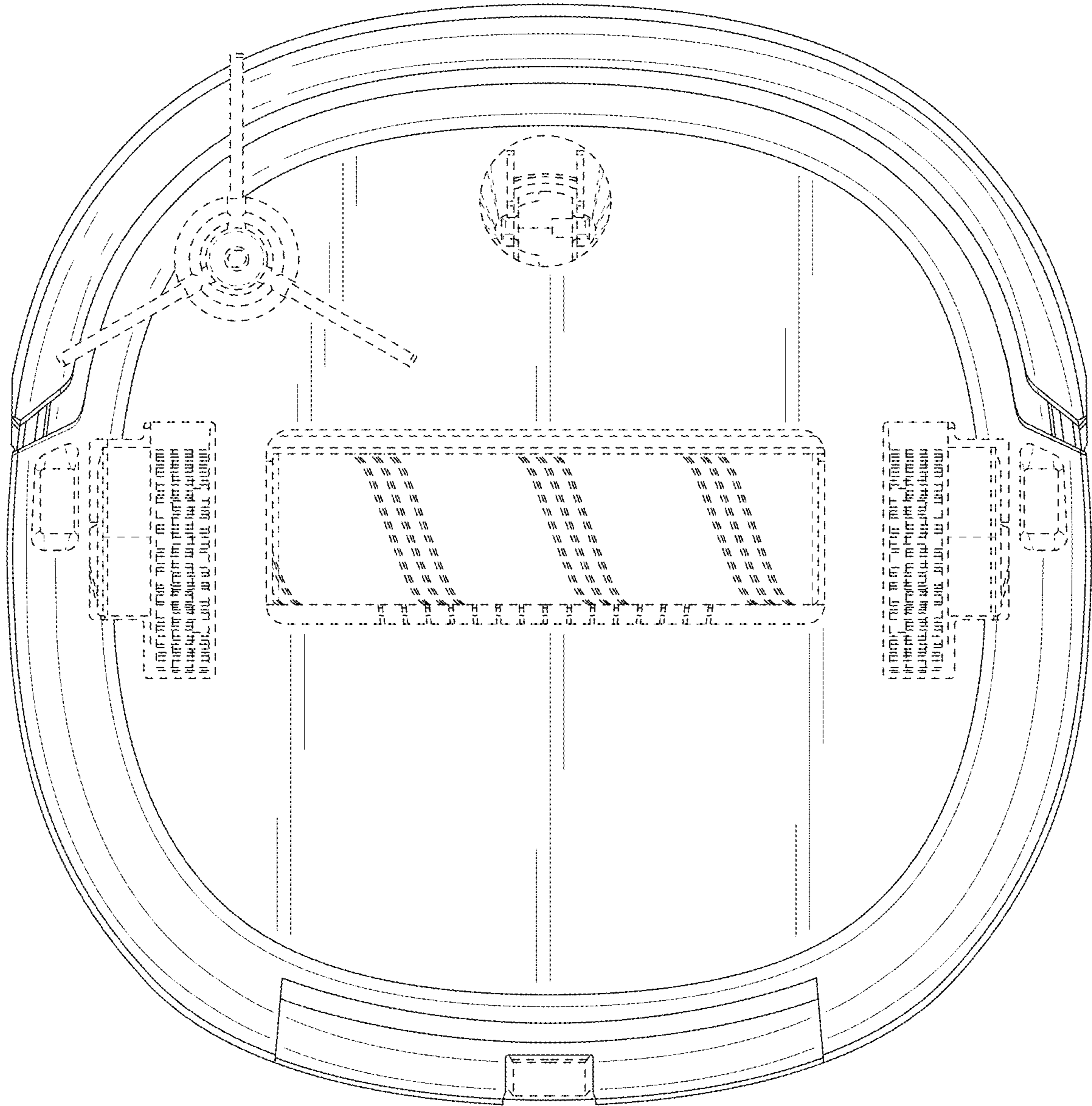


FIG. 6

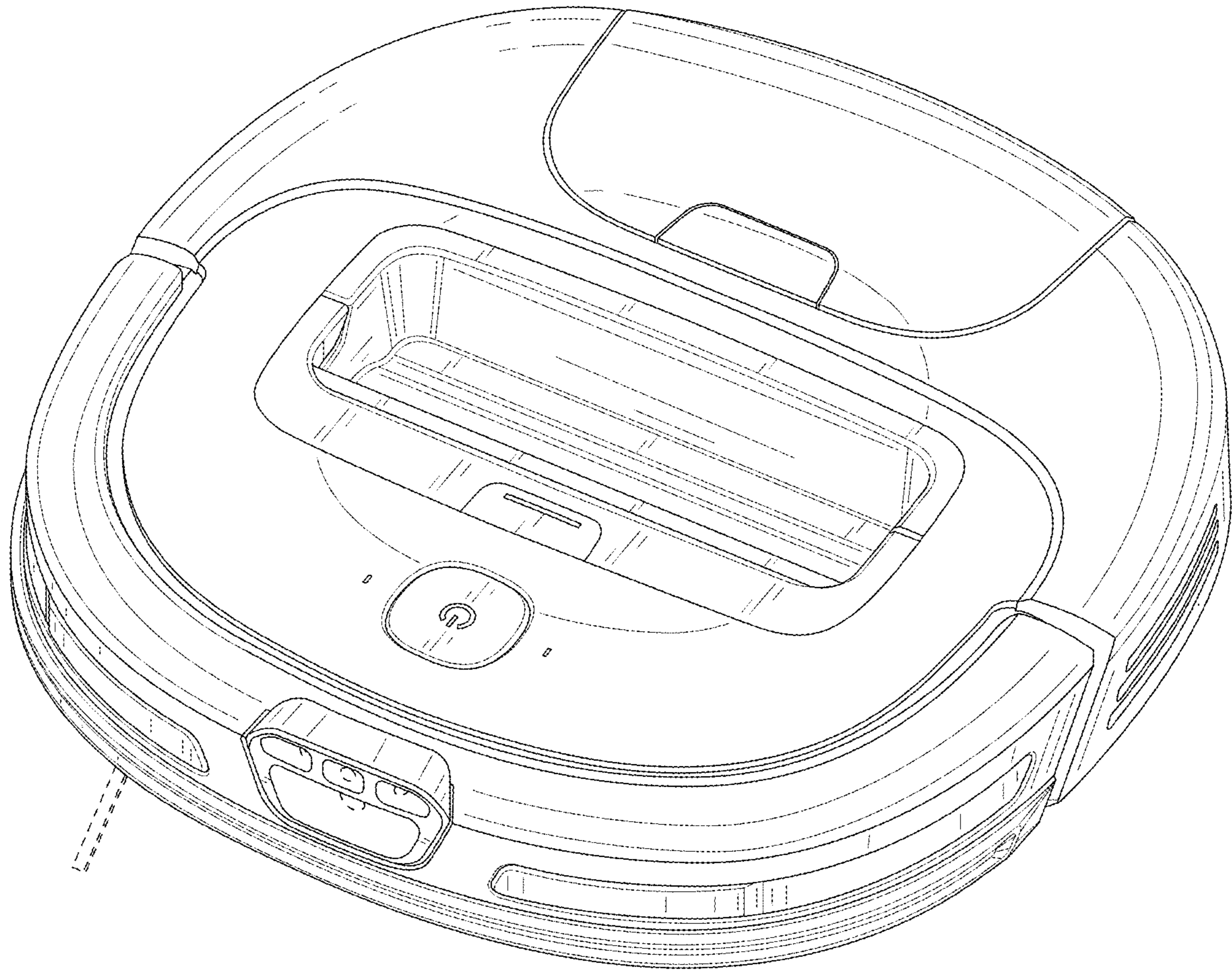


FIG. 7

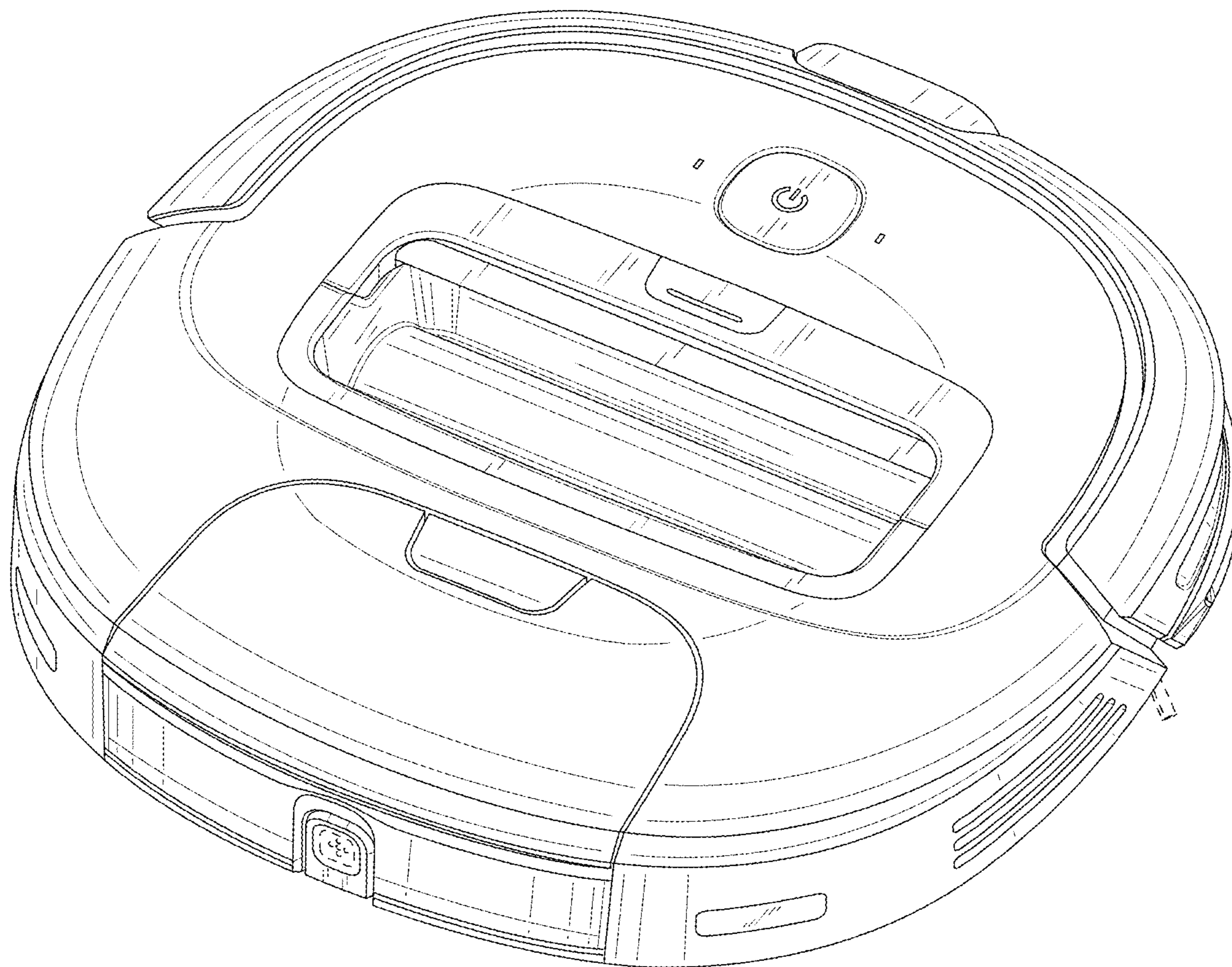


FIG. 8

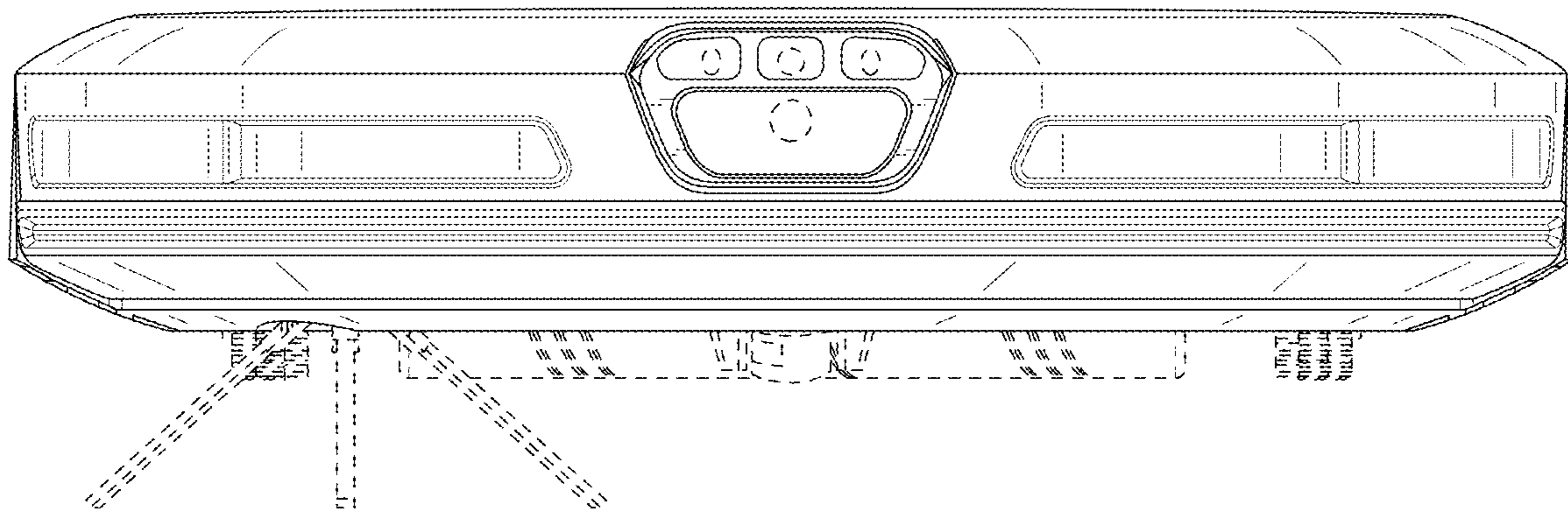


FIG. 9

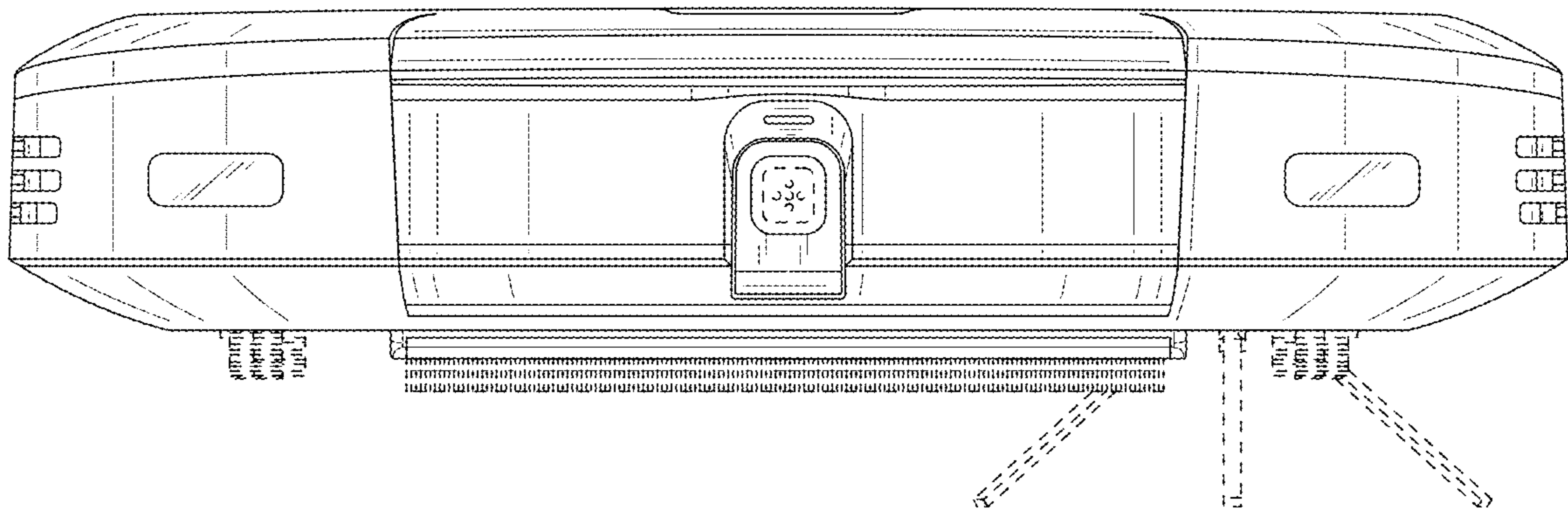


FIG. 10

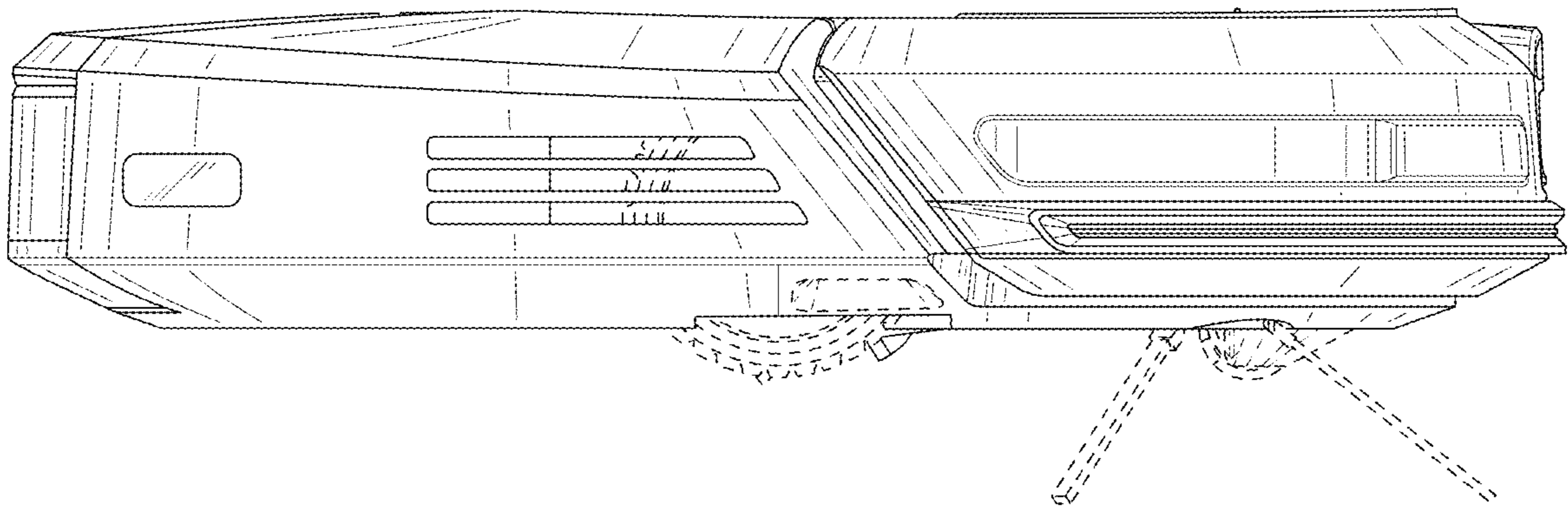


FIG. 11

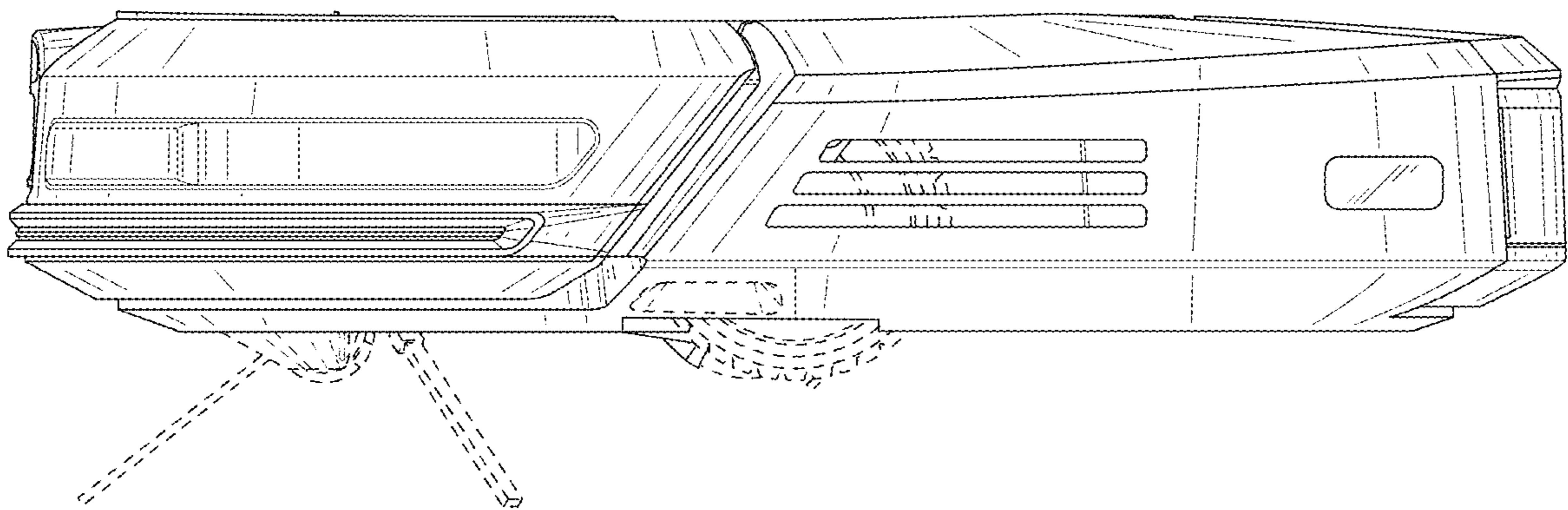


FIG. 12

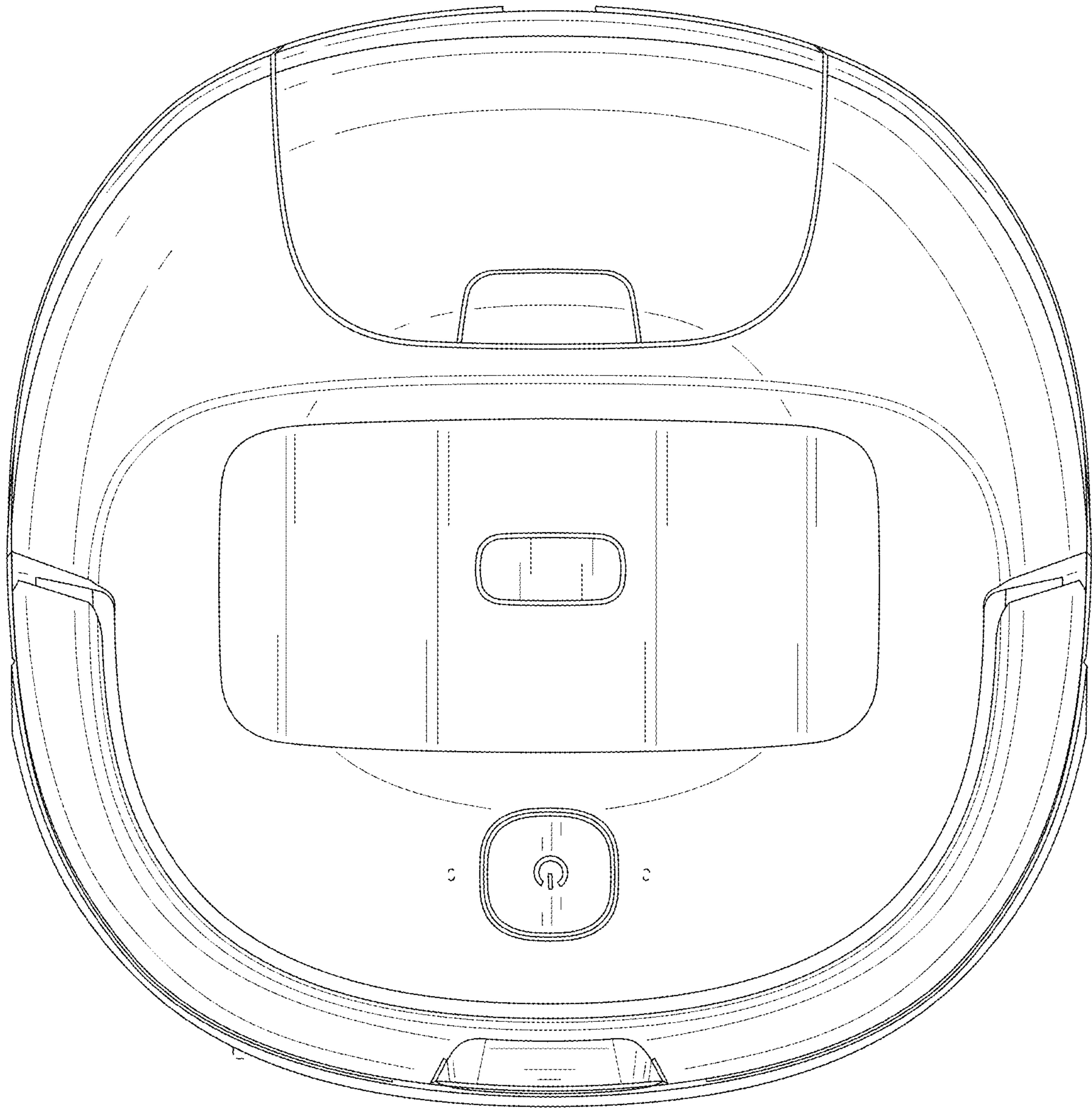


FIG. 13

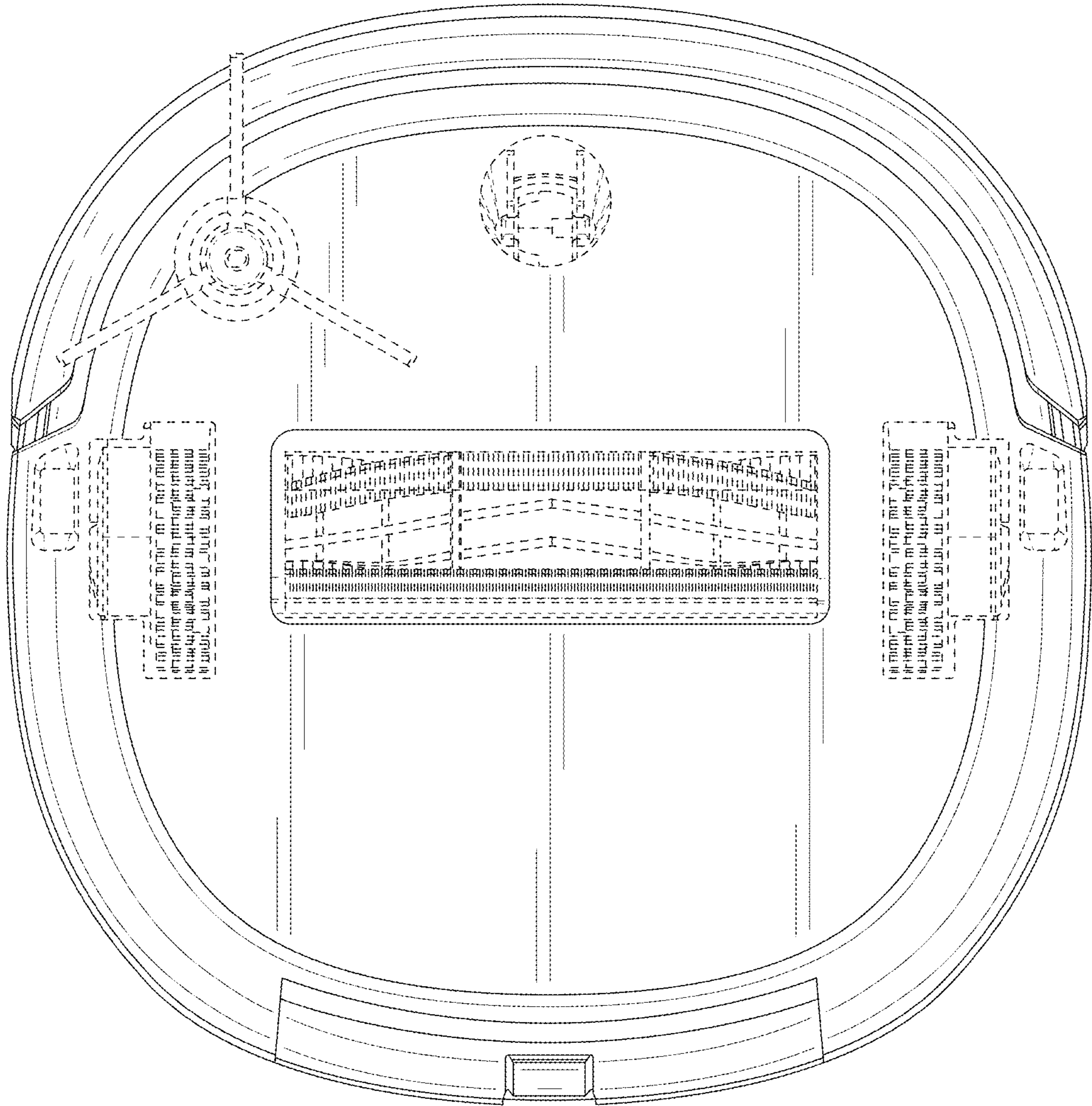


FIG. 14

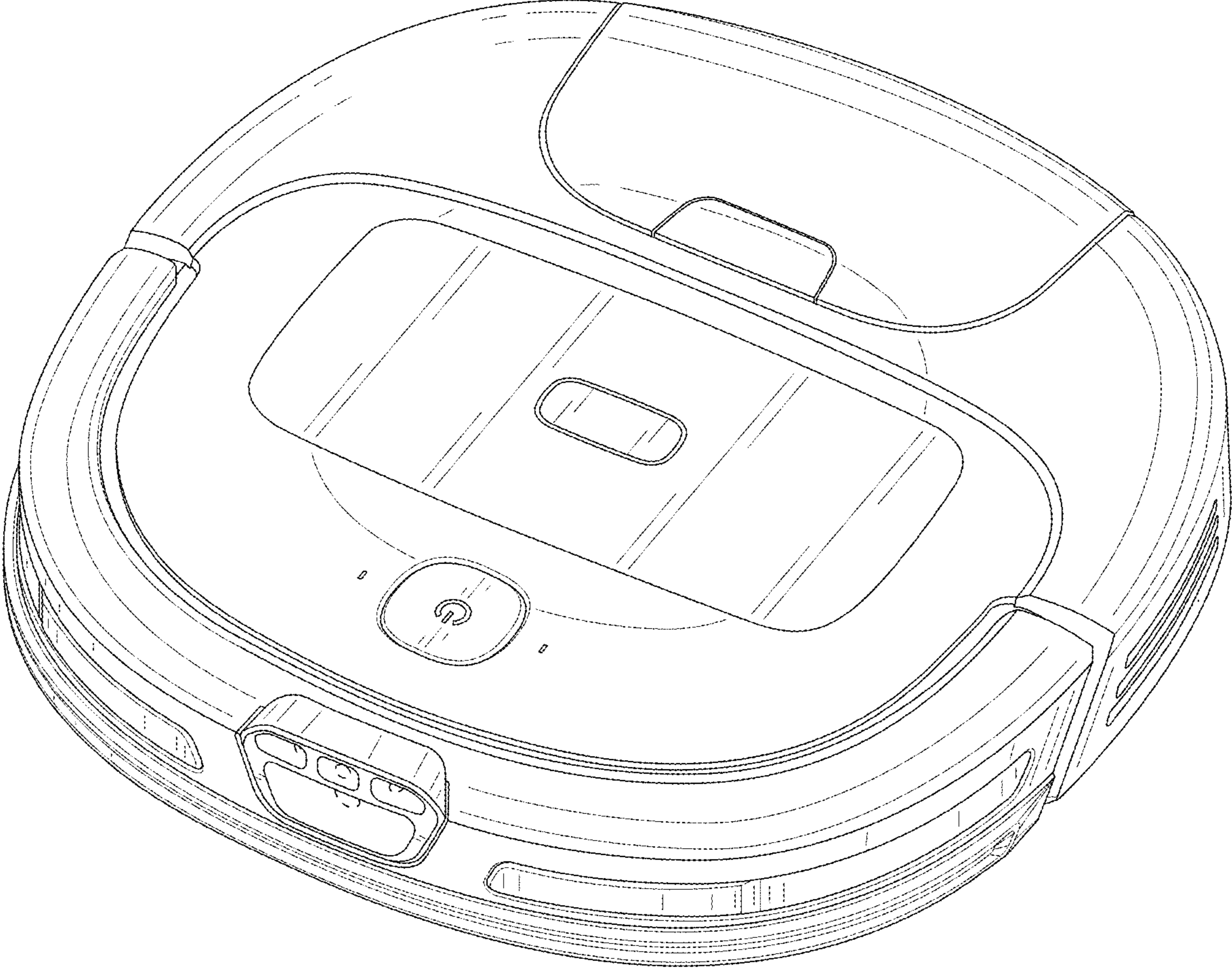


FIG. 15

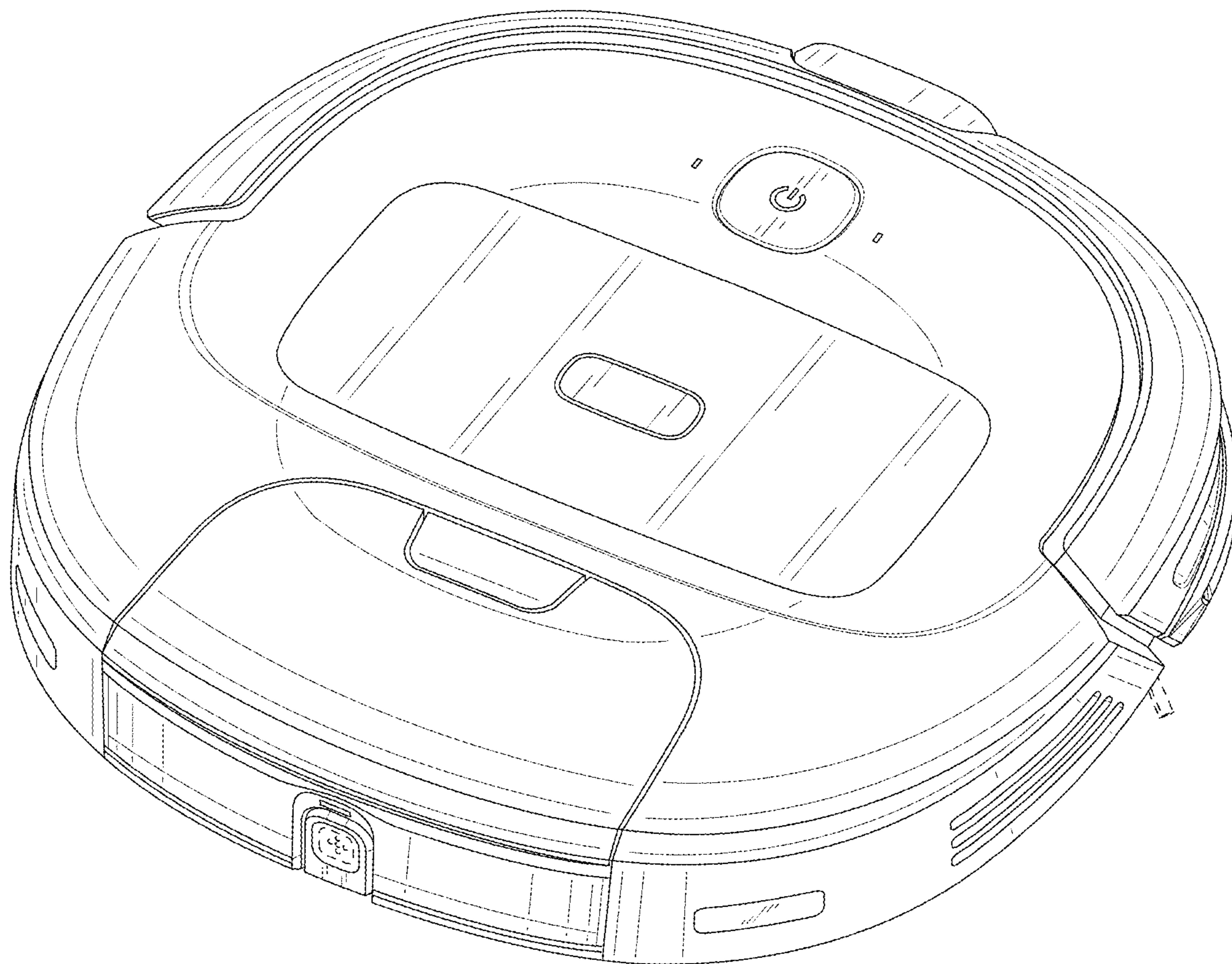


FIG. 16

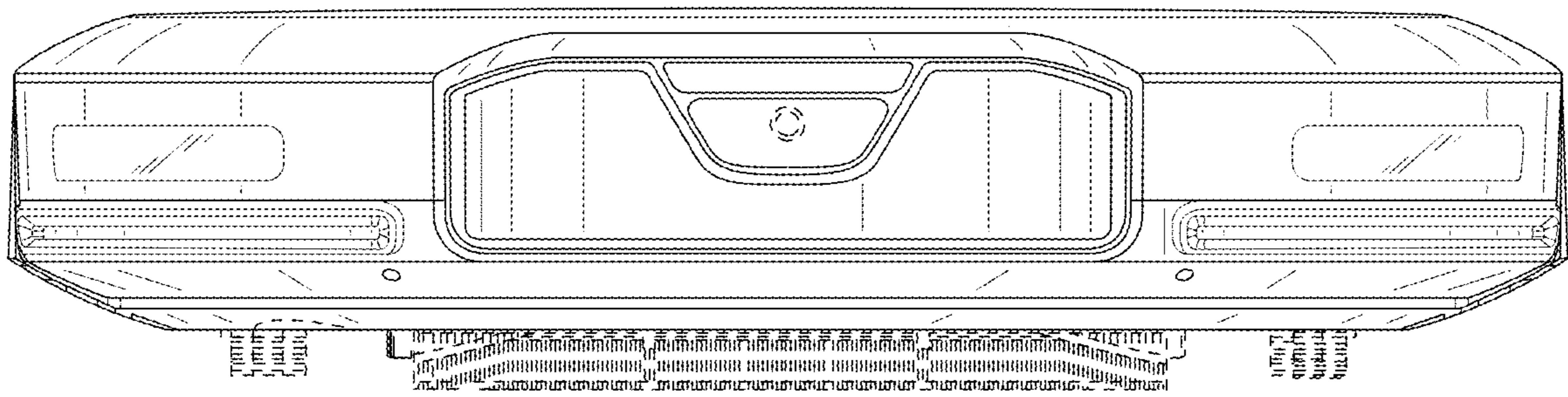


FIG. 17

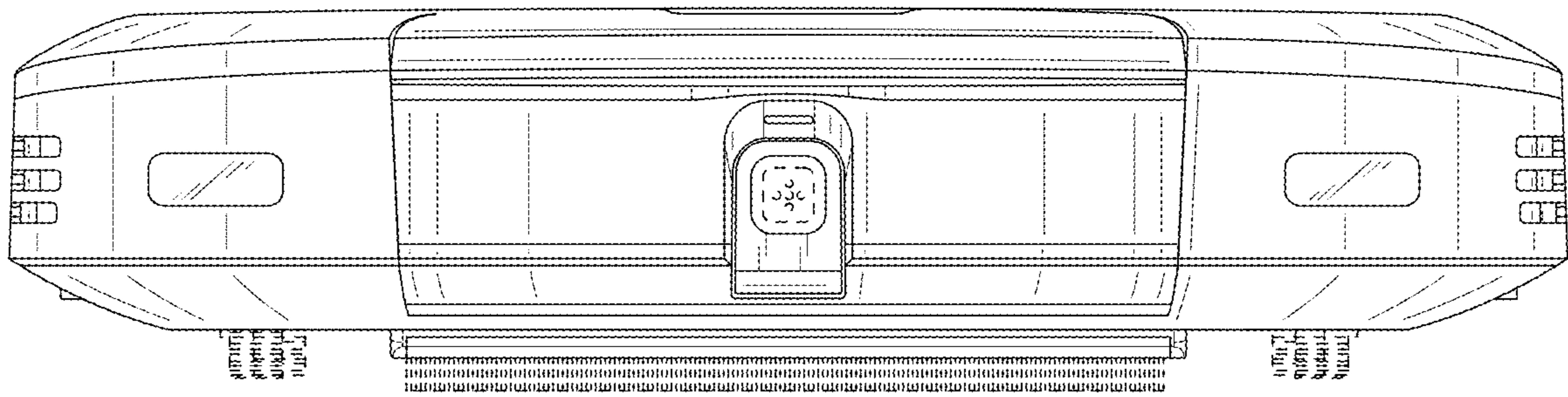


FIG. 18

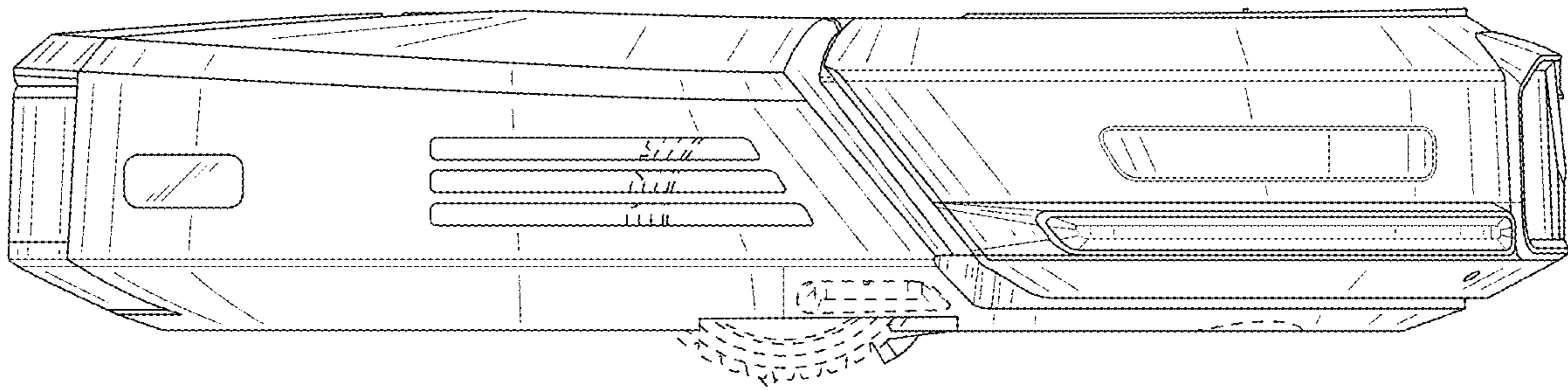


FIG. 19

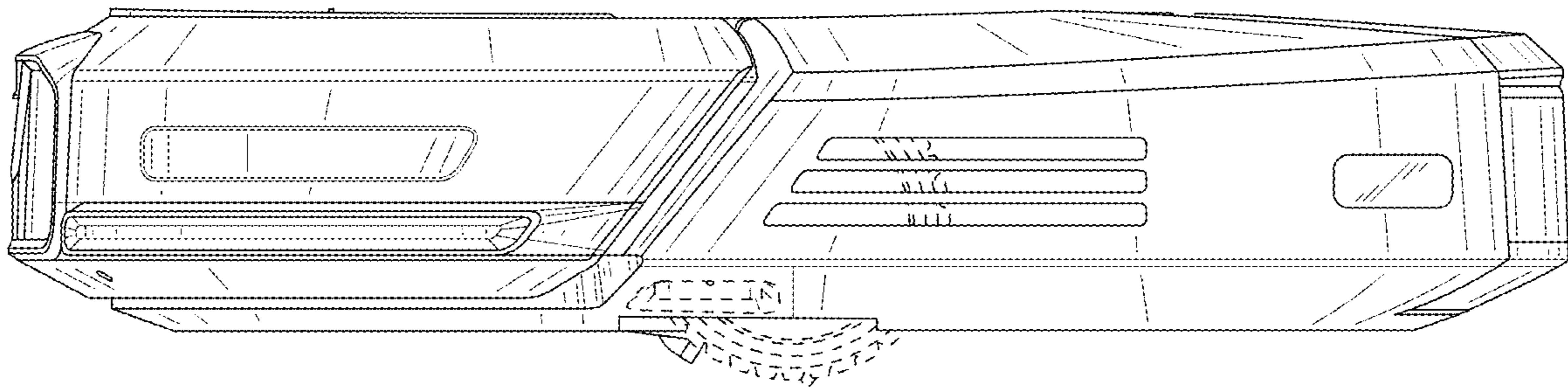


FIG. 20

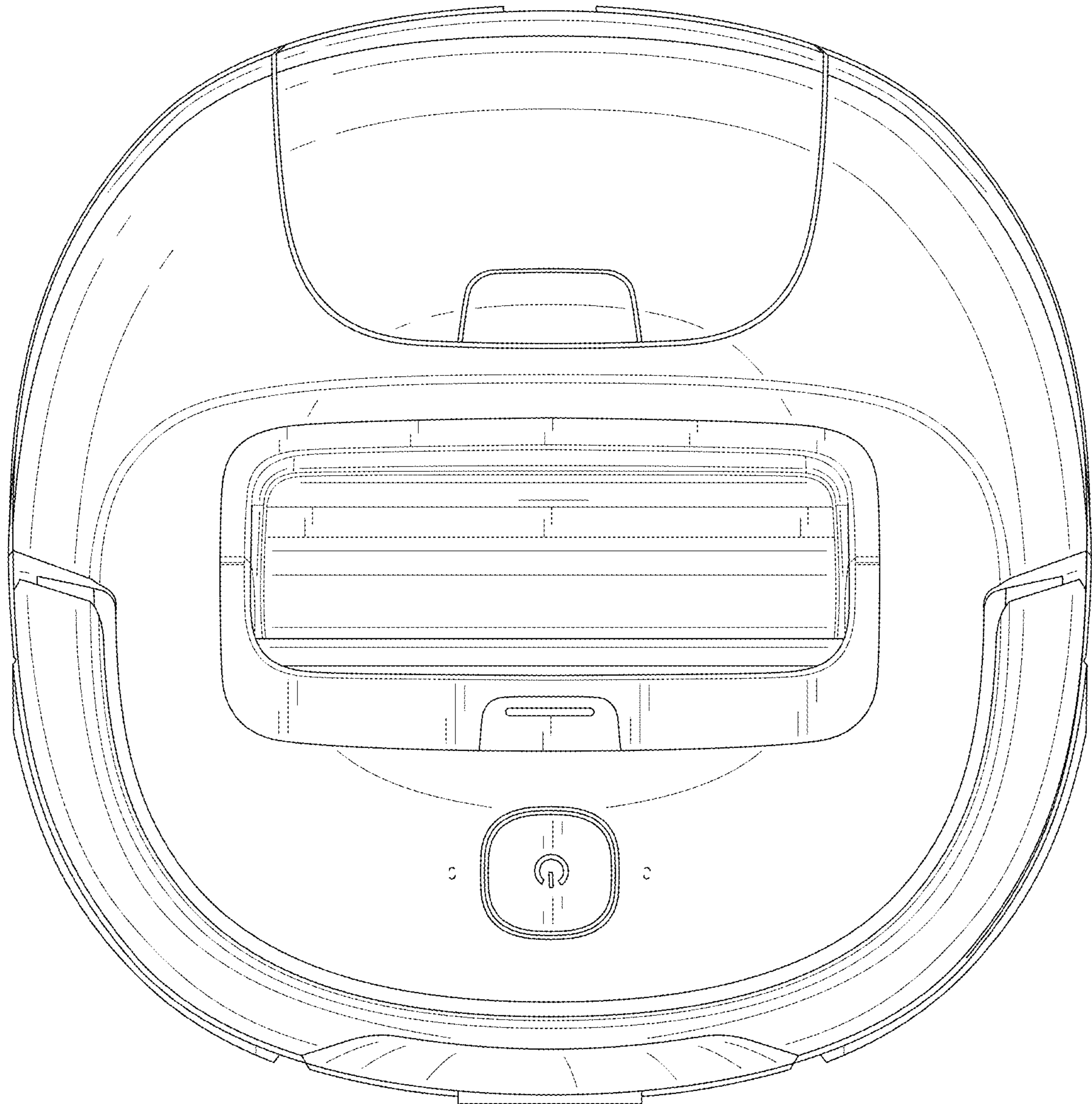


FIG. 21

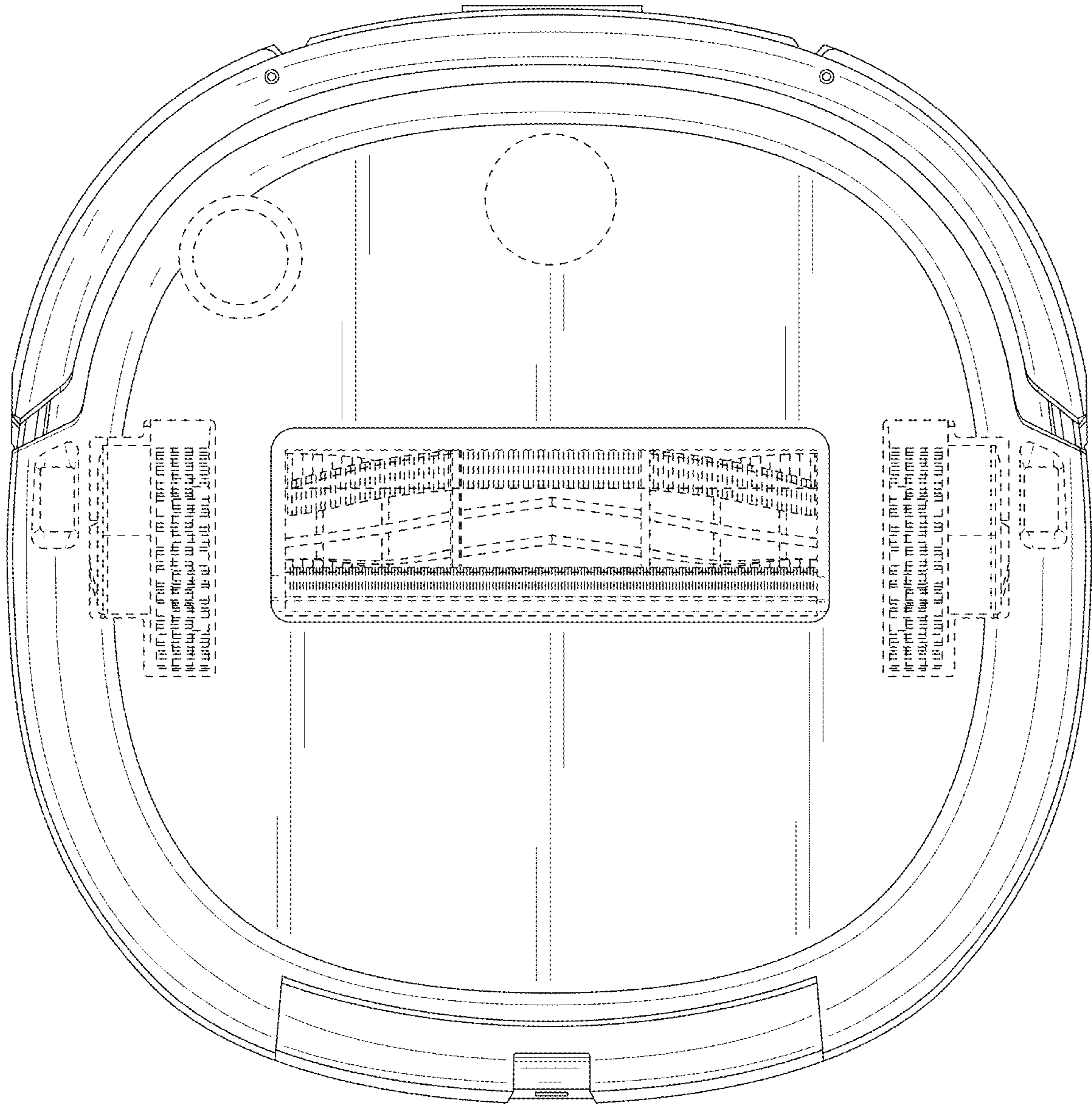


FIG. 22

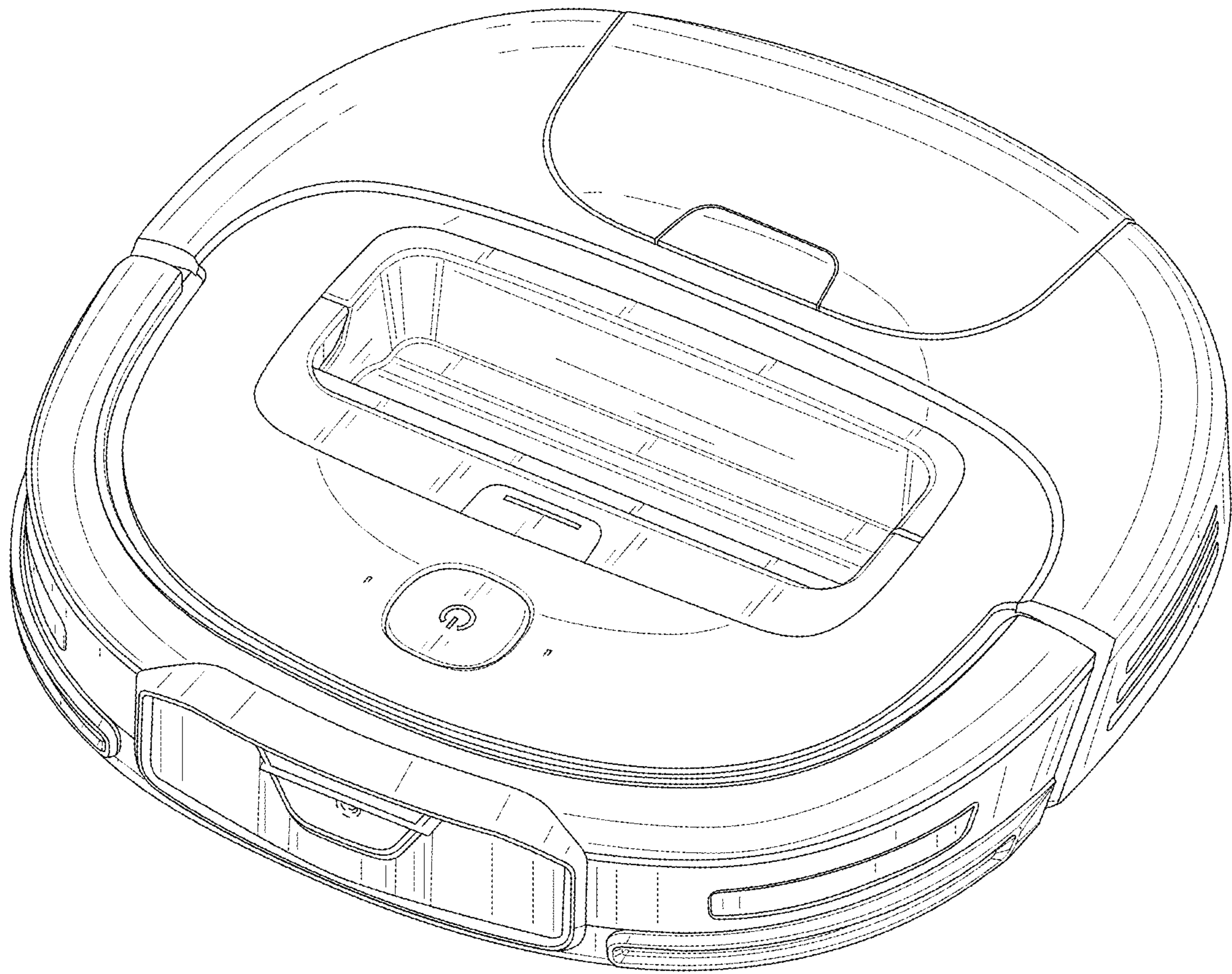


FIG. 23

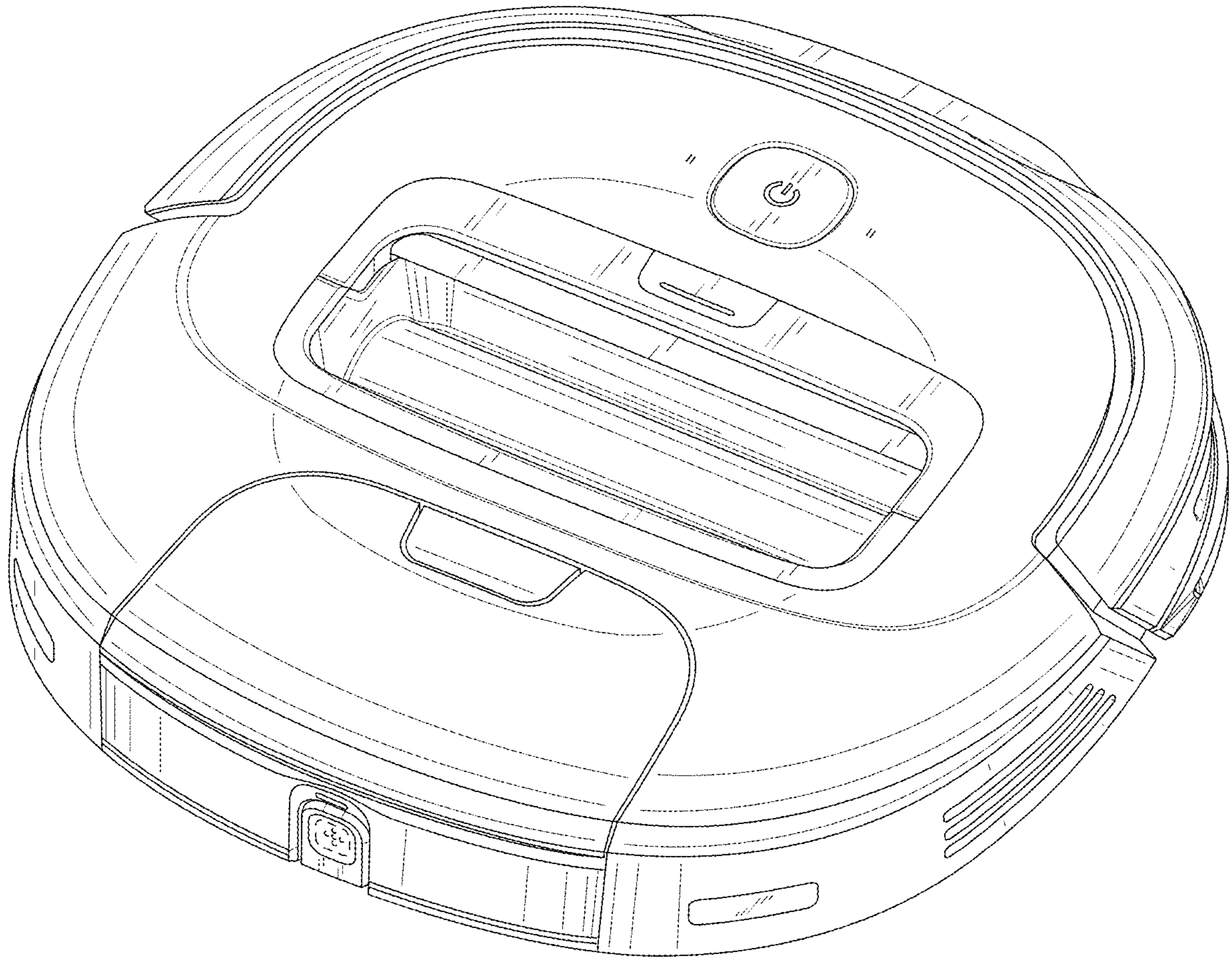


FIG. 24