



US00D946839S

(12) **United States Design Patent**
Eskridge et al.

(10) **Patent No.: US D946,839 S**

(45) **Date of Patent: ** *Mar. 22, 2022**

(54) **VACUUM CLEANER**

(71) Applicant: **BLACK & DECKER INC.**, New Britain, CT (US)

(72) Inventors: **Evan G. Eskridge**, Baltimore, MD (US); **Samuel P. Thompson**, Newcastle Upon Tyne (GB); **Tylan A. Tschopp**, Baltimore, MD (US)

(73) Assignee: **BLACK & DECKER INC.**, New Britain, CT (US)

(*) Notice: This patent is subject to a terminal disclaimer.

(**) Term: **15 Years**

(21) Appl. No.: **29/690,007**

(22) Filed: **May 3, 2019**

(51) **LOC (13) Cl. 15-05**

(52) **U.S. Cl.**
USPC **D32/21**

(58) **Field of Classification Search**
USPC D32/21, 23, 31; D15/144; D12/133
CPC A47L 5/365; A47L 7/0004; A47L 7/0019;
A47L 9/0009; A47L 9/0036; A47L 9/127;
A47L 9/1409; A47L 9/22; A47L 9/242;
A47L 9/28; A47L 9/32; A47L 9/325;
B01D 2279/55

See application file for complete search history.

(56) **References Cited**

U.S. PATENT DOCUMENTS

- 2,543,697 A * 2/1951 Lanter B60B 33/0002
280/79.2
- 2,573,085 A * 10/1951 Yonkers F16M 11/42
280/79.5
- D178,199 S * 7/1956 Martinec D32/23

- D195,398 S * 6/1963 Pratt et al. D32/31
 - 5,954,863 A * 9/1999 Loveless A47L 9/0027
96/321
 - D521,700 S * 5/2006 Griffin D32/23
- (Continued)

FOREIGN PATENT DOCUMENTS

- CA 89522 * 11/2005
- CA 140470 * 12/2011
- CN 304228515 * 8/2017

OTHER PUBLICATIONS

Harbor Freight Bauer, announced in YouTube on Sep. 30, 2019 [online], [site visited Mar. 9, 2021], Available from the internet URL: <https://www.youtube.com/watch?v=v-rdsKDpLYi0> (Year: 2019).*

(Continued)

Primary Examiner — Dana K Weiland
Assistant Examiner — Jennylou M Binas
(74) *Attorney, Agent, or Firm* — Adan Ayala

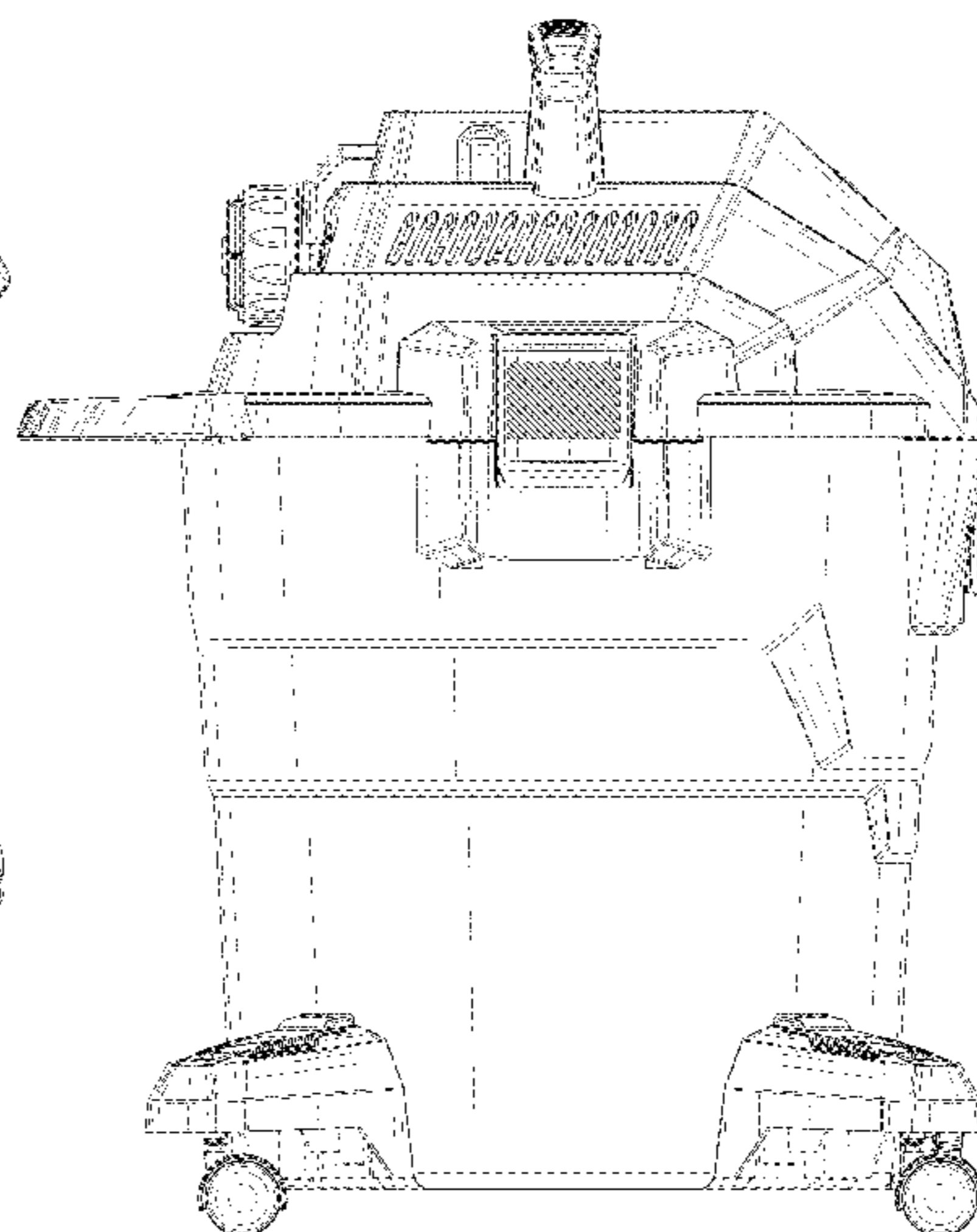
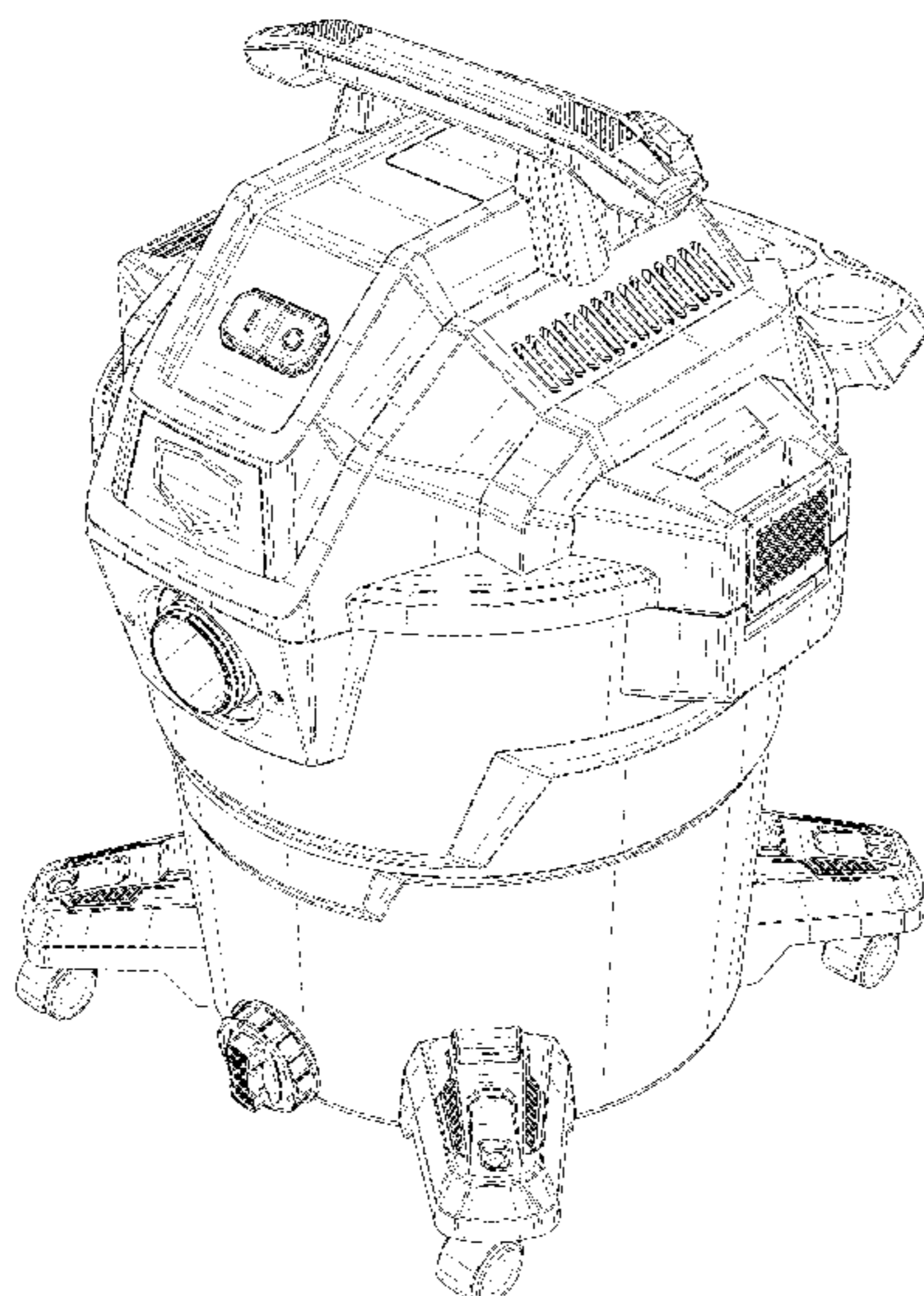
(57) **CLAIM**

The ornamental design for a vacuum cleaner, as shown and described.

DESCRIPTION

FIG. 1 is a front perspective view of a vacuum cleaner according to the invention.
FIG. 2 is a front view of the vacuum cleaner of FIG. 1.
FIG. 3 is a rear view of the vacuum cleaner of FIG. 1.
FIG. 4 is a right side view of the vacuum cleaner of FIG. 1.
FIG. 5 is a left side view of the vacuum cleaner of FIG. 1.
FIG. 6 is a top plan view of the vacuum cleaner of FIG. 1; and,
FIG. 7 is a bottom plan view of the vacuum cleaner of FIG. 1.
The broken lines shown in the drawings depict portions of the vacuum cleaner that form no part of the claimed design.

1 Claim, 7 Drawing Sheets



(56)

References Cited

U.S. PATENT DOCUMENTS

D528,718 S * 9/2006 Tomasiak D32/21
 D615,258 S * 5/2010 Dammkoehler D32/23
 D660,529 S * 5/2012 Dammkoehler D32/21
 D669,646 S * 10/2012 Theising D32/23
 D676,073 S * 2/2013 Wagner D15/144
 D676,205 S * 2/2013 Theising D32/21
 10,231,589 B2 * 3/2019 Bian A47L 9/0036
 D865,305 S * 10/2019 Wall D32/21
 D867,702 S * 11/2019 Wall D32/31
 D868,404 S * 11/2019 Wall D32/21
 D874,760 S * 2/2020 Knight D32/21
 D875,333 S * 2/2020 Wall D32/21
 D876,039 S * 2/2020 Wall D32/31
 D876,738 S * 2/2020 Wall D32/31
 D876,739 S * 2/2020 Wall D32/31
 D915,698 S * 4/2021 Wall D32/21
 11,027,894 B2 * 6/2021 Tomasiak A47L 9/327
 D933,317 S * 10/2021 Liu D32/21
 D933,914 S * 10/2021 Eskridge D32/21
 2013/0255030 A1 * 10/2013 Meredith A47L 7/0004
 15/347
 2014/0075711 A1 * 3/2014 Sang A47L 9/22
 15/327.2
 2015/0013100 A1 * 1/2015 Gottschall A47L 5/365
 15/323
 2015/0067978 A1 * 3/2015 Westbrook B65D 47/205
 15/347

2015/0074936 A1 * 3/2015 Plato A47L 7/0004
 15/324
 2015/0342427 A1 * 12/2015 Zhu A47L 5/365
 15/323
 2017/0049282 A1 * 2/2017 Seasholtz A47L 5/365
 2018/0055314 A1 * 3/2018 Rupp A47L 9/242
 2018/0296962 A1 * 10/2018 Sang B01D 46/521
 2019/0282046 A1 * 9/2019 Tomasiak A47L 9/28
 2019/0328191 A1 * 10/2019 Tomasiak A47L 9/00
 2019/0329940 A1 * 10/2019 Tomasiak B65D 45/18
 2020/0037837 A1 * 2/2020 Hsieh A47L 7/0066

OTHER PUBLICATIONS

DEWALT 9-Gallon Portable Wet/Dry Shop Vacuum, available in lowes.com, customer review oldest date Sep. 13, 2018 [online], [site visited Mar. 9, 2021], Available from the internet URL: <https://www.lowes.com/pd/DEWALT-9-Gallon-5-HP-Portable-Wet-Dry-Shop-Vacuum/1000533395> (Year: 2018).*

Kuppet 3-in-1 Wet/Dry Vacuum Cleaner, available in Amazon.com, date first available May 26, 2019 [online], [site visited Mar. 8, 2021], Available from the internet URL: https://www.amazon.com/dp/B07S9Q7N4C/ref=cm_sw_r_em_apa_fabc_WRS1G15PMGE5YMHJGNME?_encoding=UTF8&psc=1 (Year: 2019).*

* cited by examiner

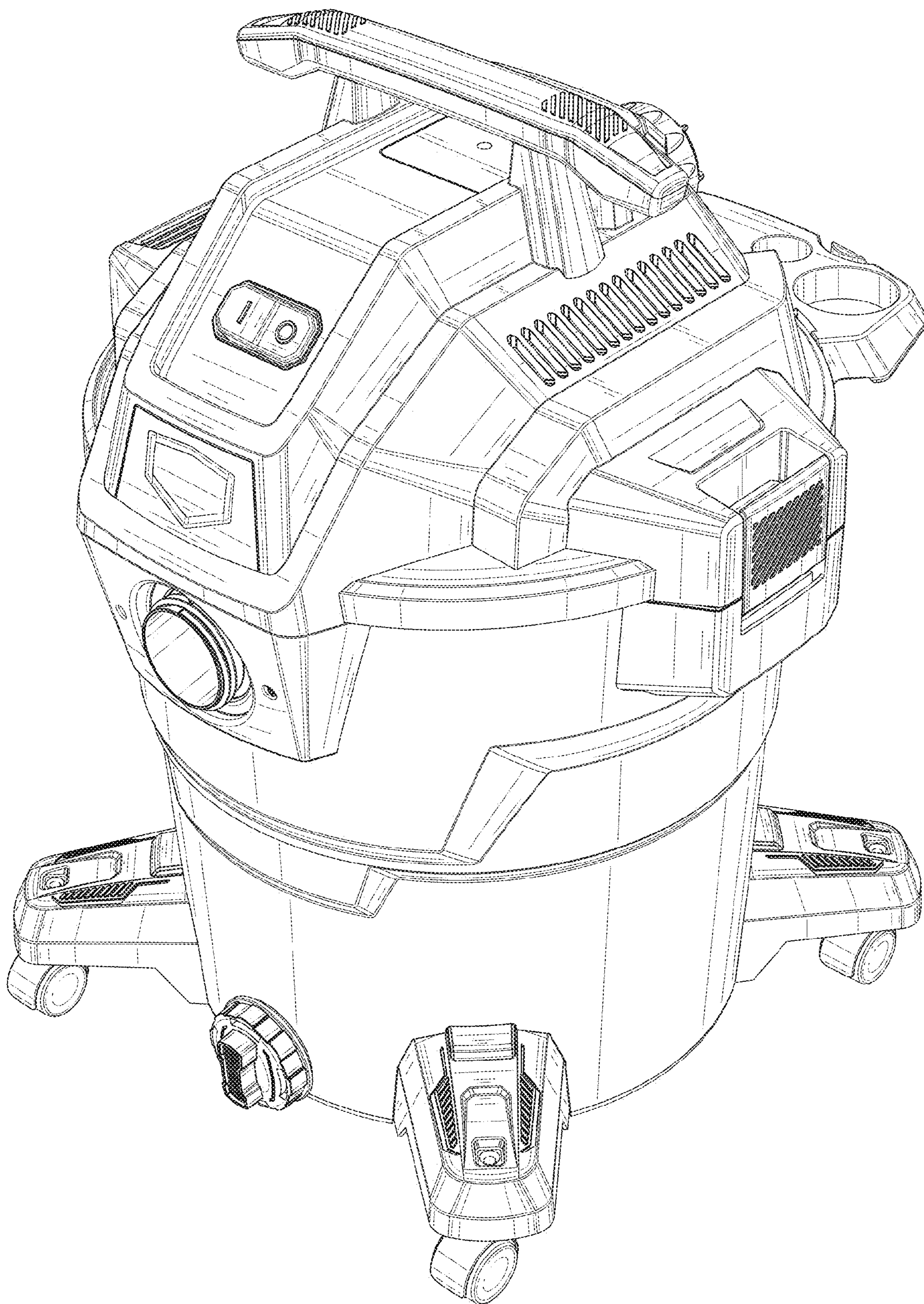


FIG. 1

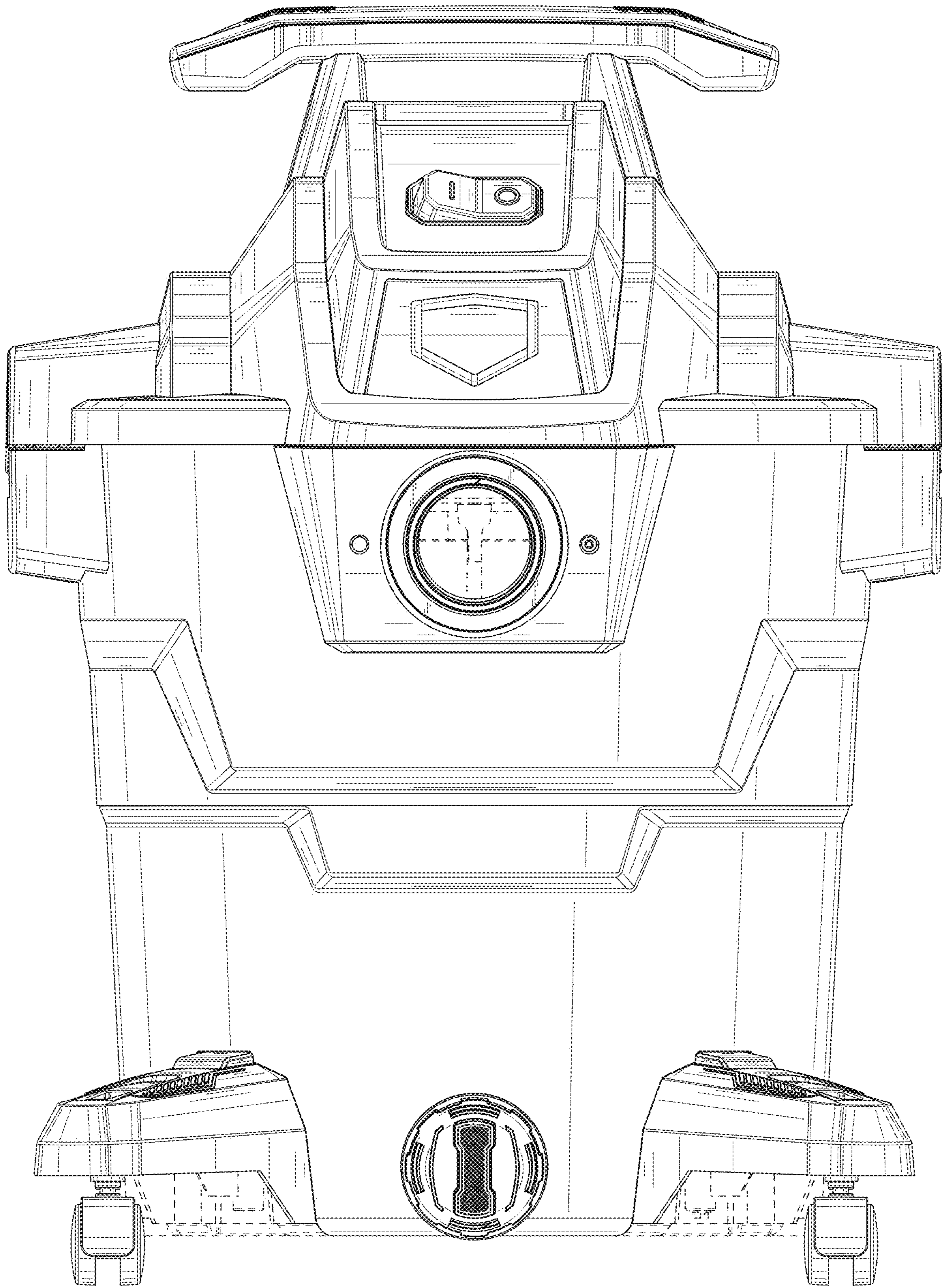


FIG. 2

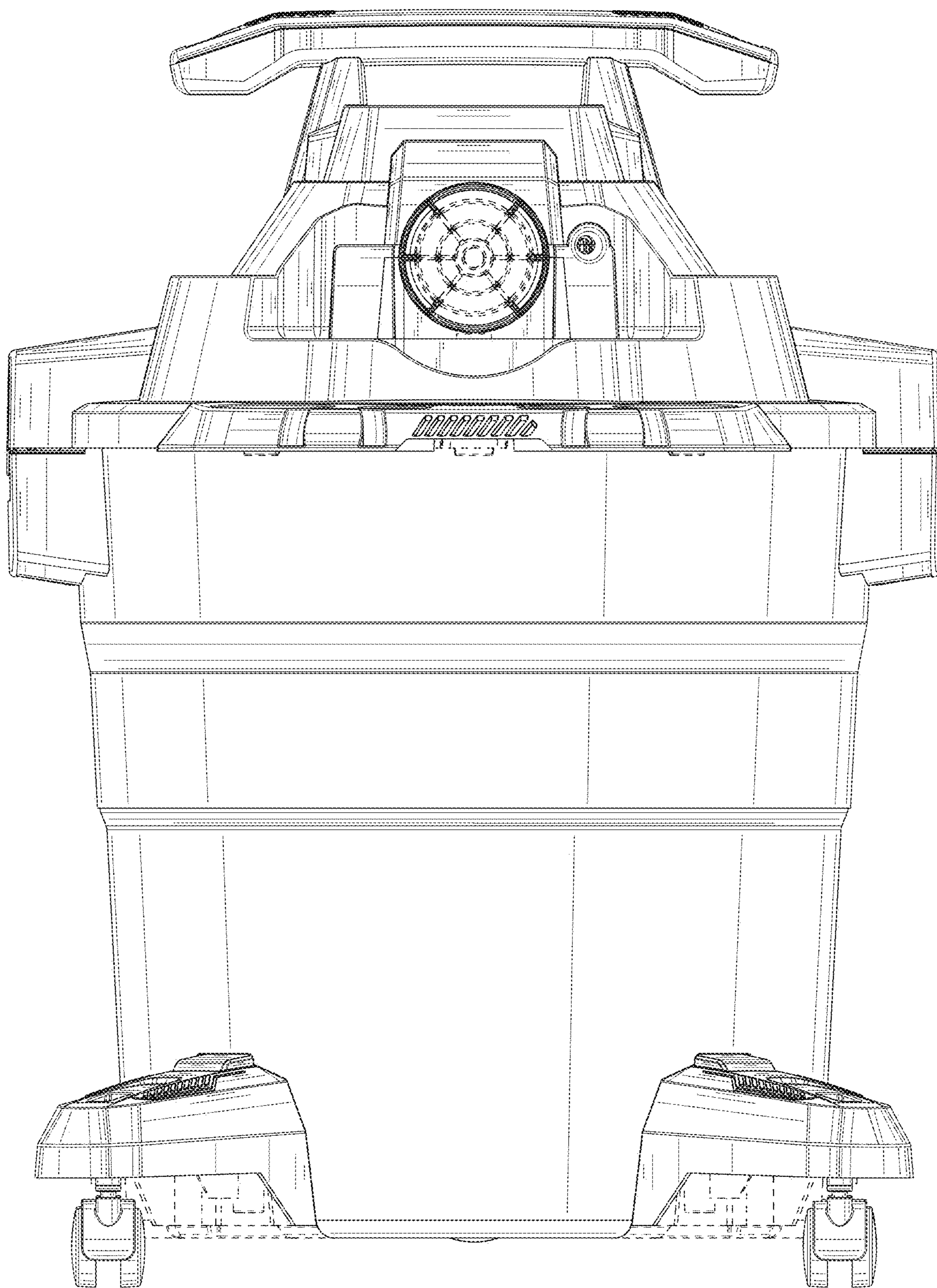


FIG. 3

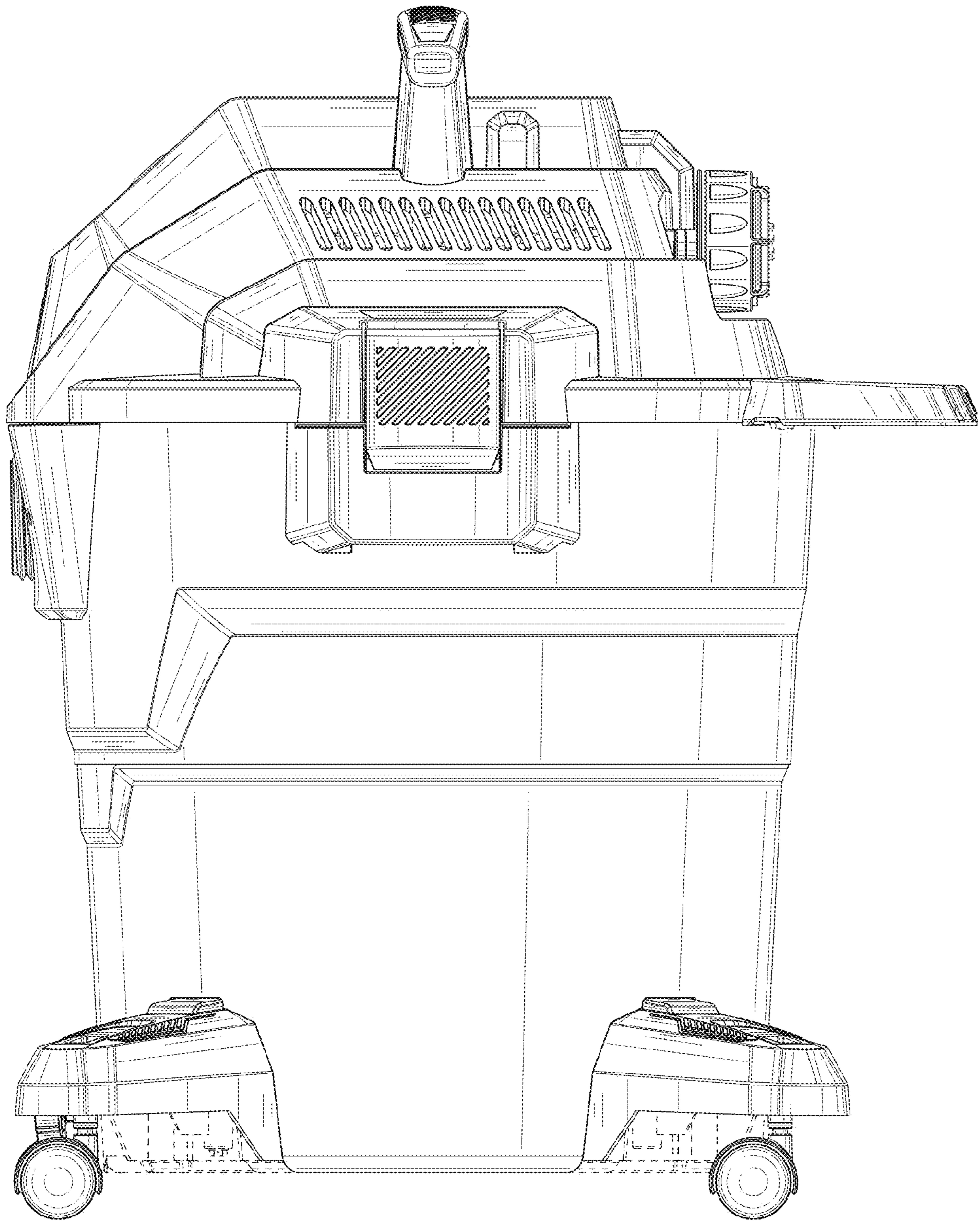


FIG. 4

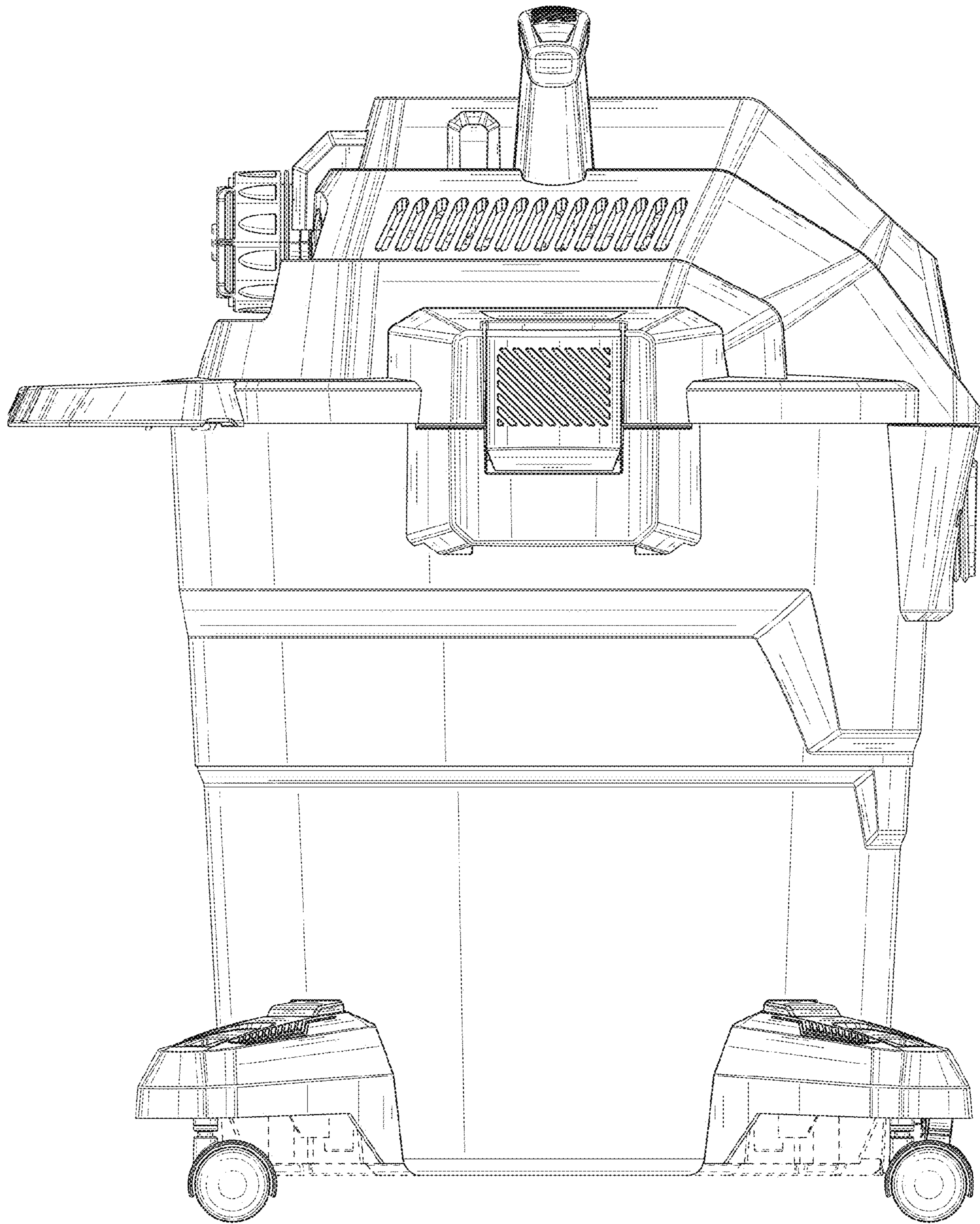


FIG. 5

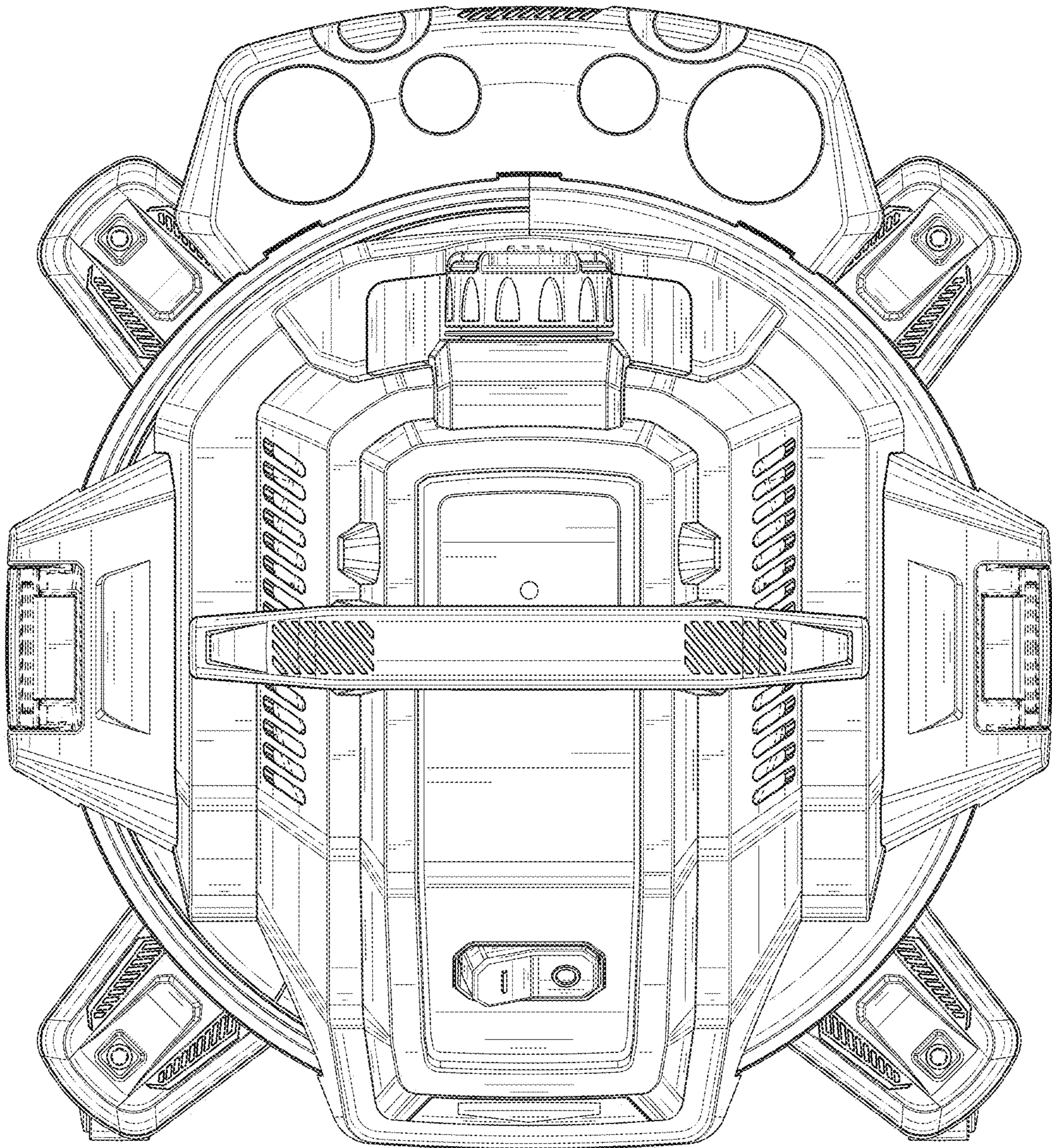


FIG. 6

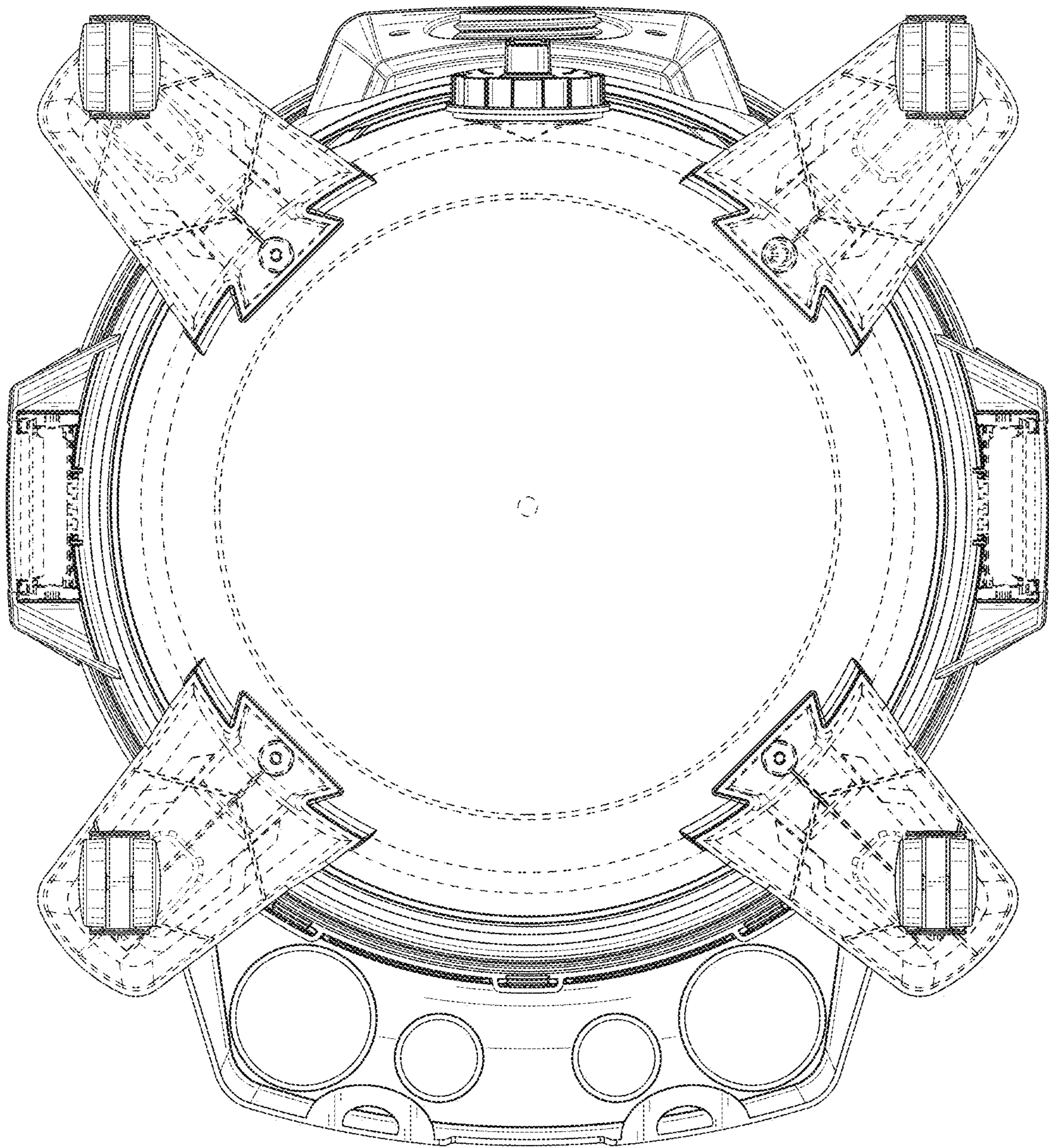


FIG. 7